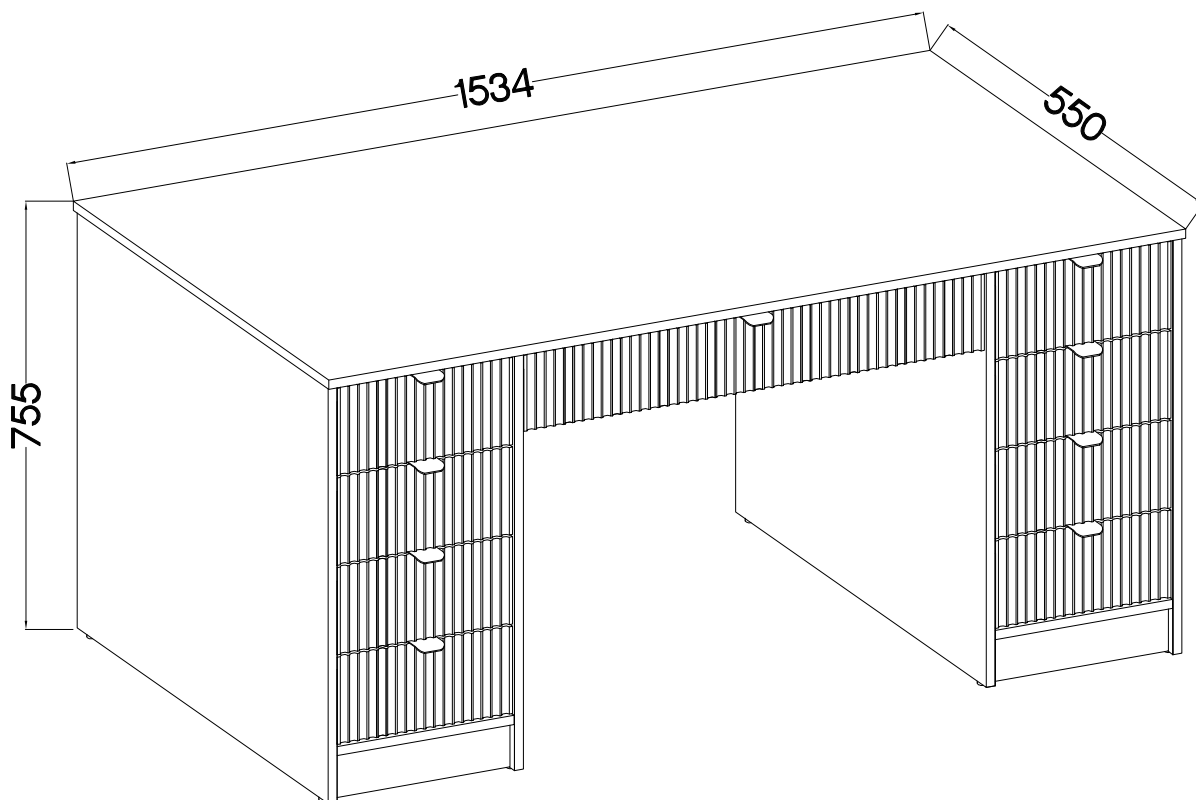
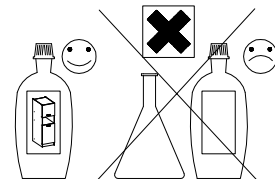
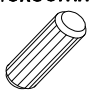




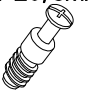

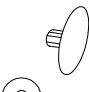

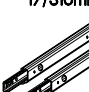

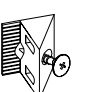

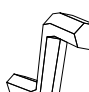






150 min

# TIRENO BIS



|  |   |   |  |  |  |  |  |   |   |   |  |   |  |  |   |  |  |
|--|---|---|--|--|--|--|--|---|---|---|--|---|--|--|---|--|--|
| <br><b>A</b><br>52 | <br><b>B</b><br>12 | <br><b>B2</b><br>2 | <br><b>C</b><br>8 | <br><b>C5</b><br>18 | <br><b>D9</b><br>26 | <br><b>E</b><br>8 | <br><b>E1</b><br>8 | <br><b>F4</b><br>8 | <br><b>I2</b><br>8 | <br><b>I4</b><br>1 | <br><b>L</b><br>4 | <br><b>M</b><br>36 | <br><b>O</b><br>1 | <br><b>O11</b><br>2 | <br><b>P7</b><br>16-20 | <br><b>S</b><br>9 | <br><b>U1</b><br>18 |
|--|---|---|--|--|--|--|--|---|---|---|--|---|--|--|---|--|--|

ISM-ADA-004

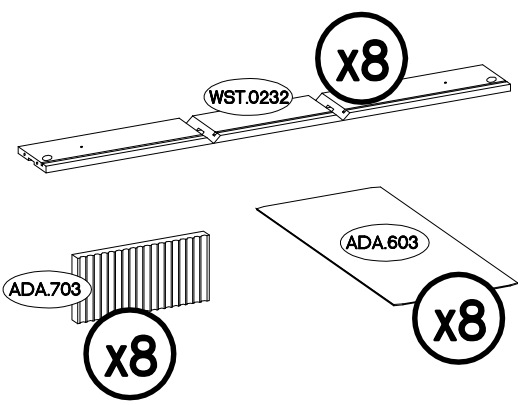
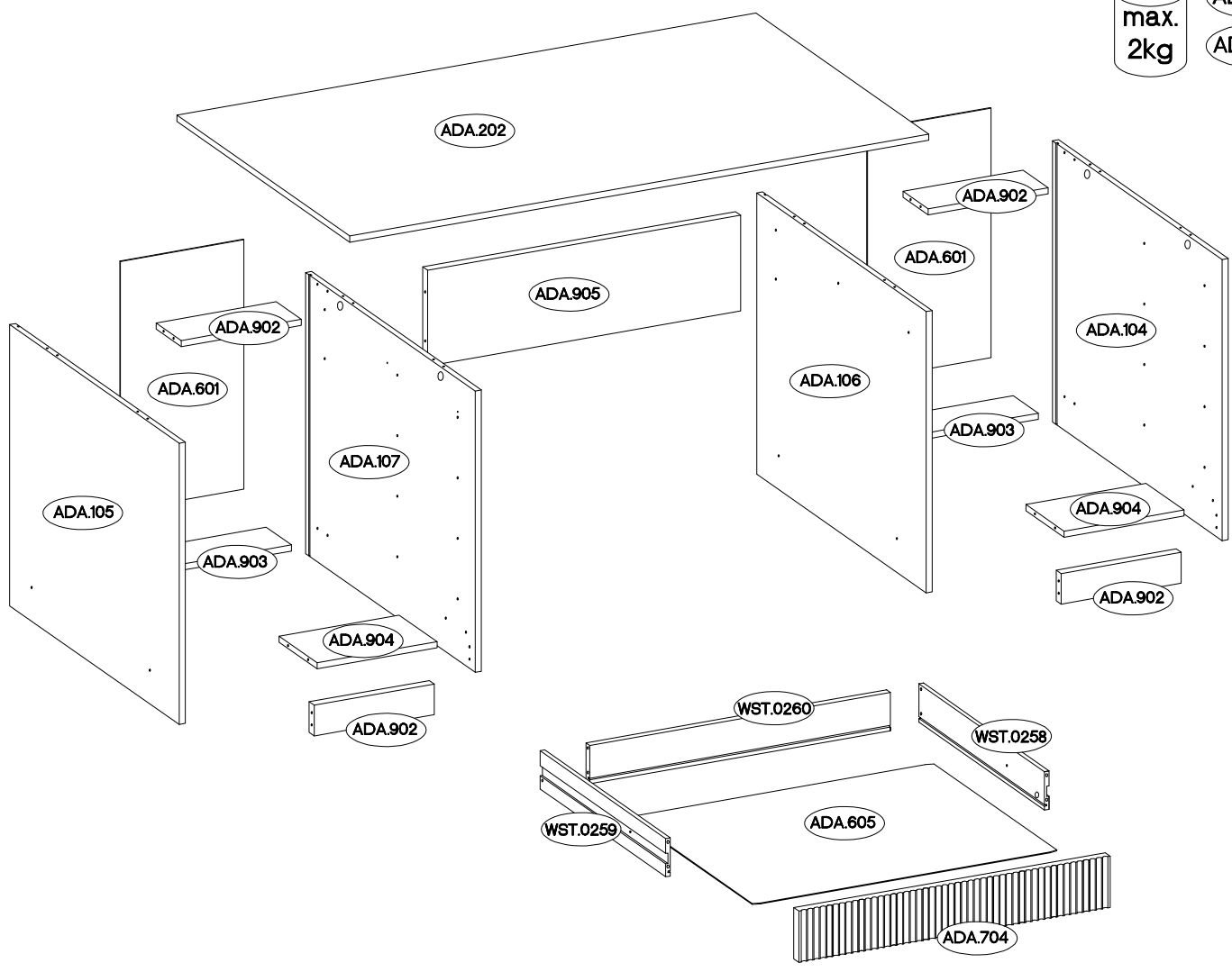


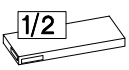
ADA.202

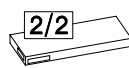


ADA.603


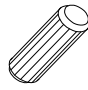
ADA.605

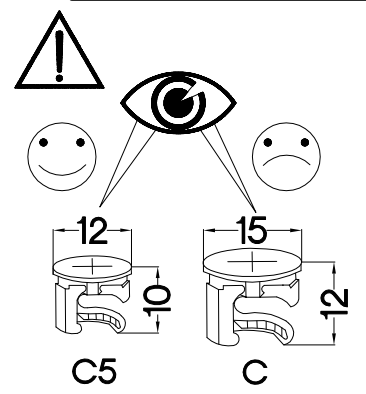
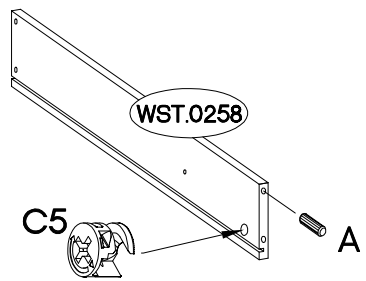
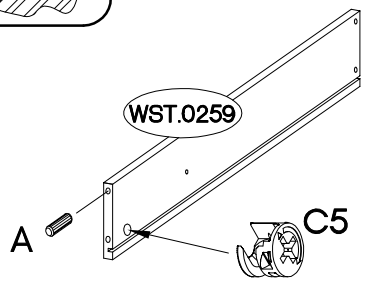
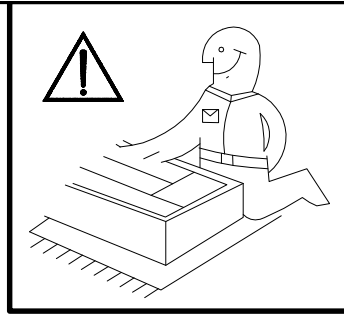
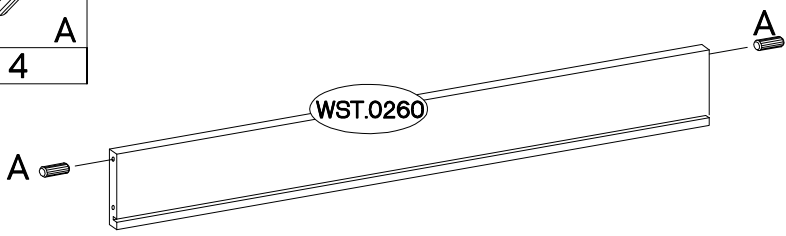
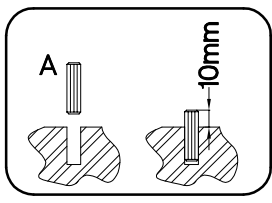


|  | Ersatzteil Nummer | Dimension   |
|--|-------------------|-------------|
|  | ADA.104           | 734x540x16  |
|  | ADA.105           | 734x540x16  |
|  | ADA.106           | 734x540x16  |
|  | ADA.107           | 734x540x16  |
|  | ADA.601 x2        | 651x327x2,5 |
|  | ADA.605           | 807x397x2,5 |
|  | ADA.703 x8        | 154x314x16  |
|  | ADA.704           | 134x825x16  |
|  | ADA.905           | 829x250x16  |
|  | ADA.902 x4        | 318x80x16   |


|   | Ersatzteil Nummer | Dimension           |
|---|-------------------|---------------------|
|  | ADA.202           | 1534x550x16         |
|   | ADA.603x8         | 296x399x2,5         |
|   | WST.0258          | 400x100x12          |
|   | WST.0259          | 400x100x12          |
|   | WST.0260          | 796x100x12          |
|   | WST.0232 x 8      | (400x309x400)x80x12 |

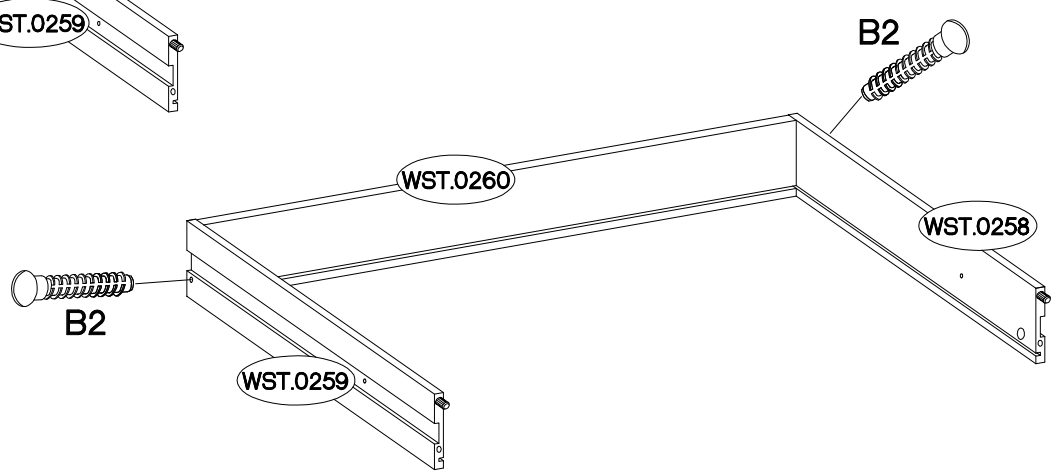
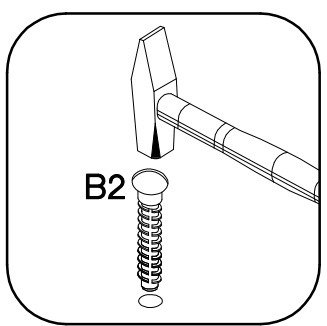
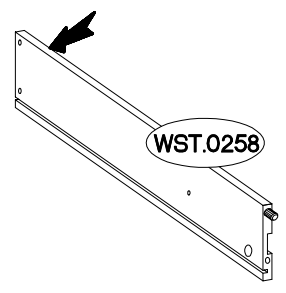
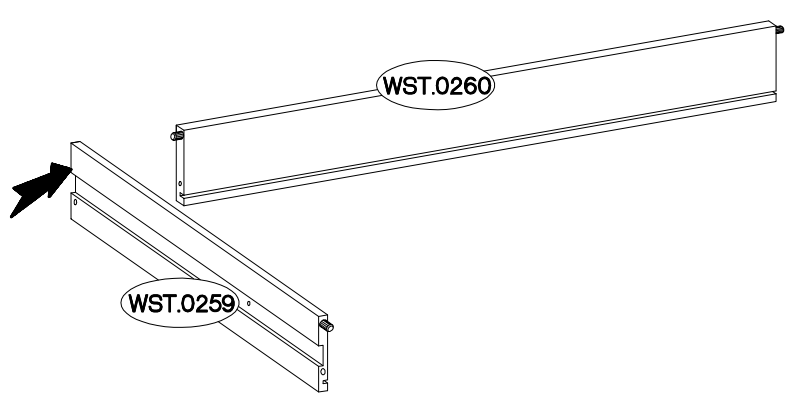
1

|  |  |
|--|--|
| #12/10mm<br><br><b>C5</b><br>2 | #8x30mm<br><br><b>A</b><br>4 |
|--|--|




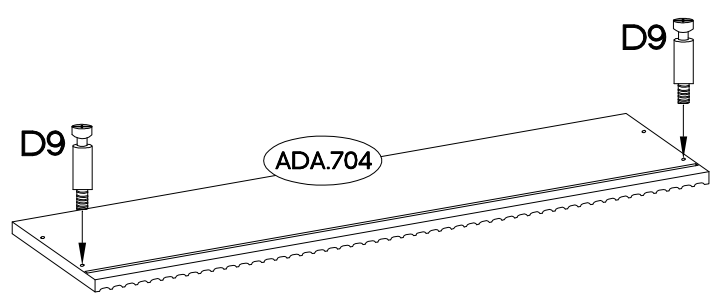
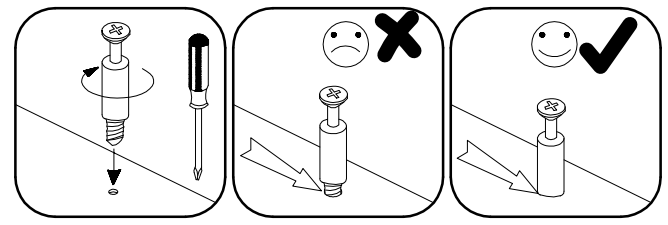
2

|  |
|--|
| #6x42mm<br><br><b>B2</b><br>2 |
|--|

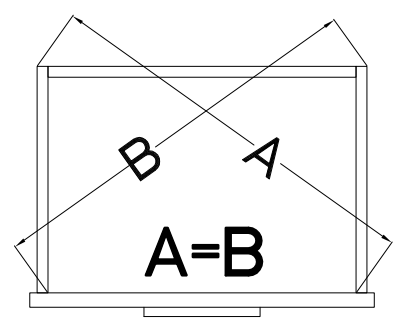
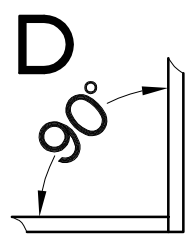
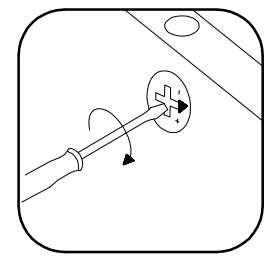
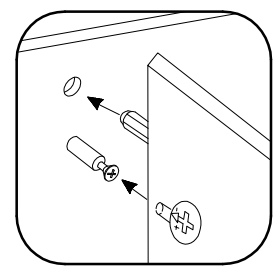
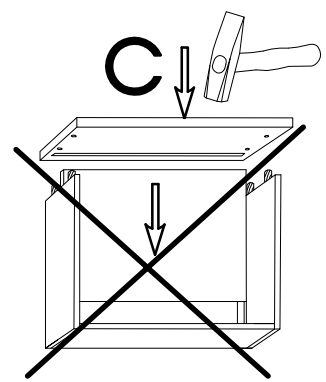
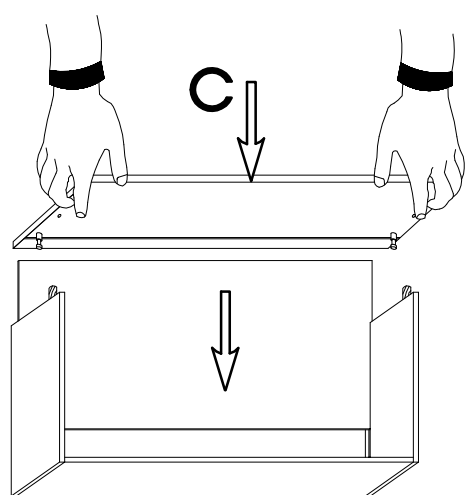
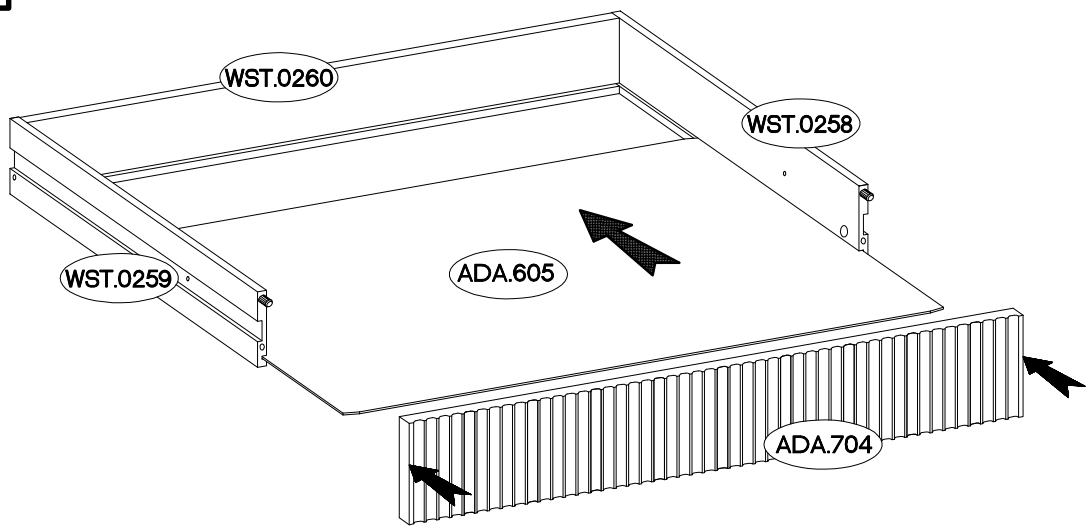
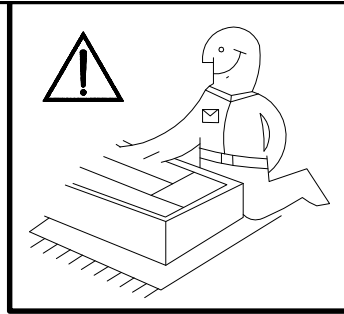


3

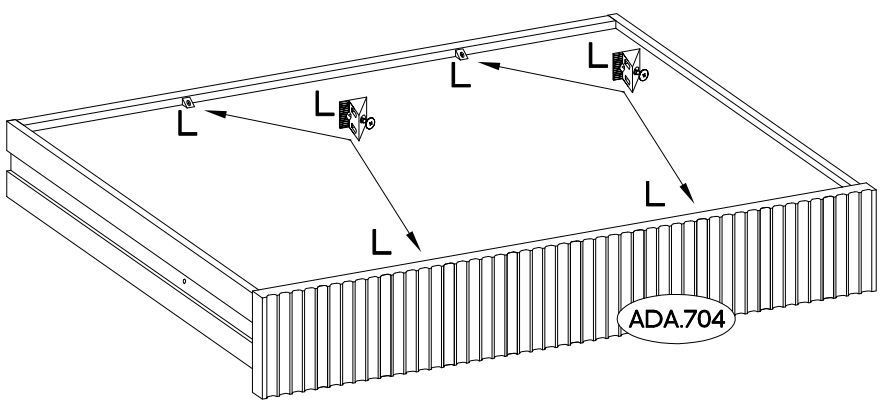
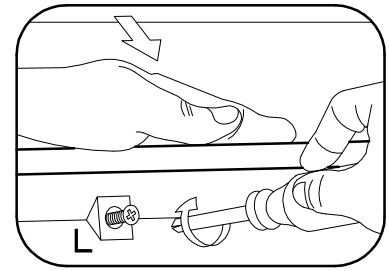
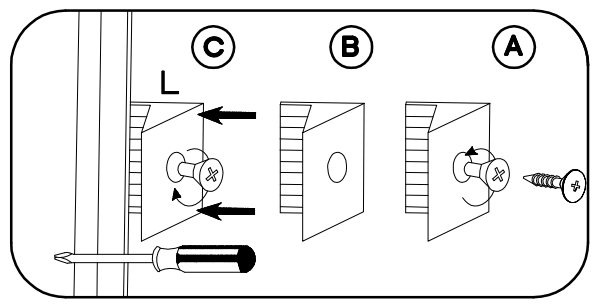
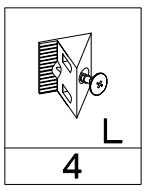
|   |
|---|
| L=20/8mm<br><br><b>D9</b><br>2 |
|---|



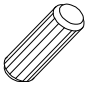

4

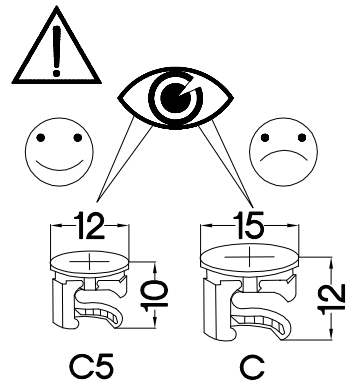
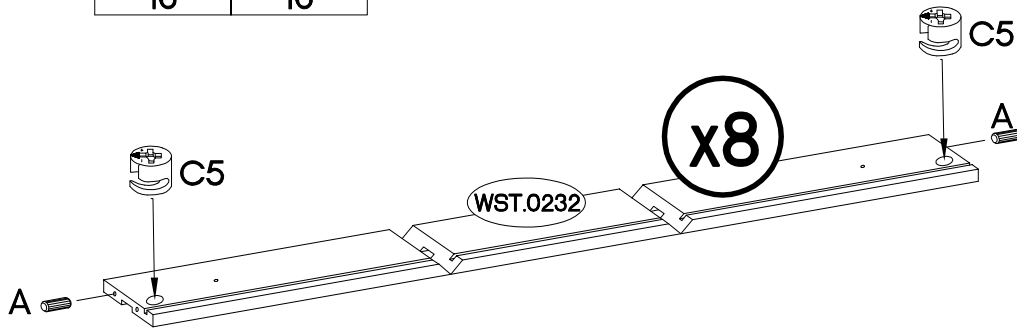
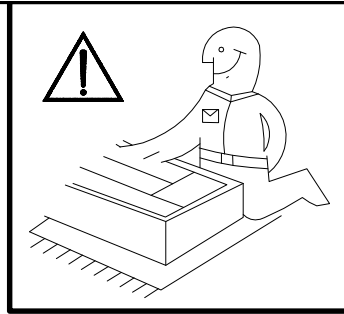


5




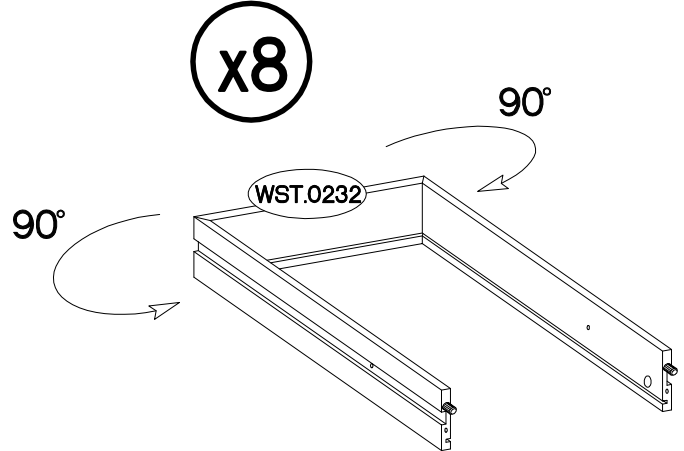
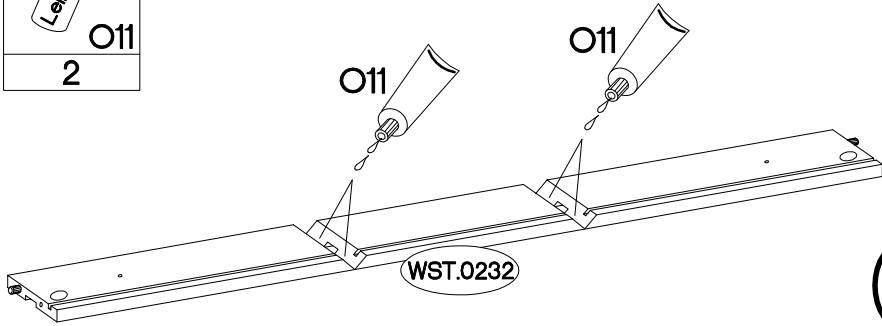
6

|  |  |
|--|--|
| †8x30mm<br><br>A<br>16 | †12/10mm<br><br>C5<br>16 |
|--|--|

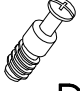


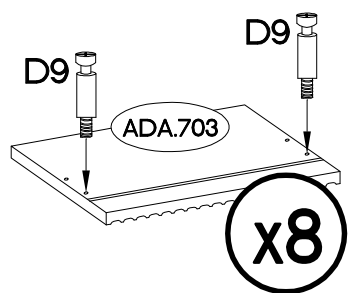
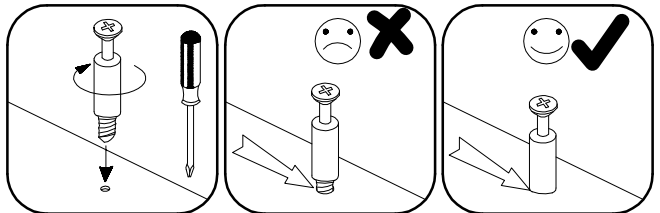
7

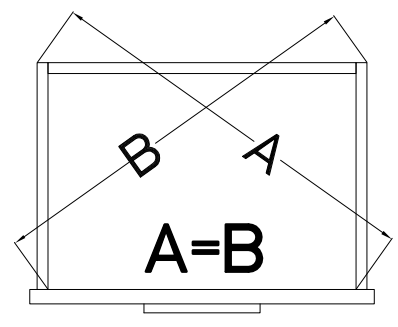
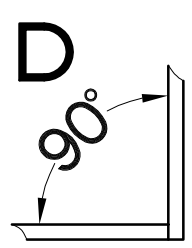
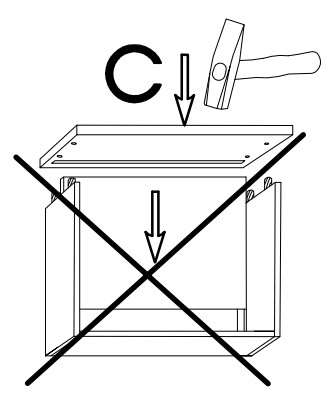
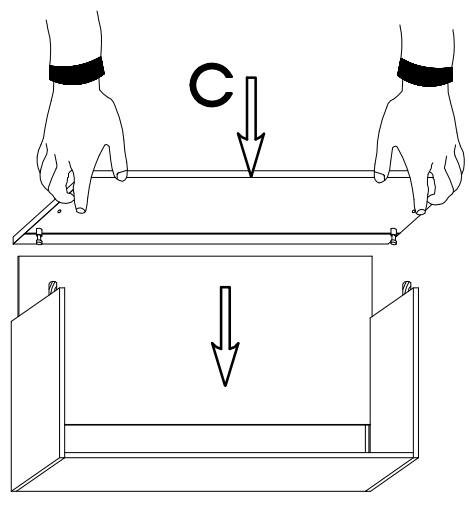
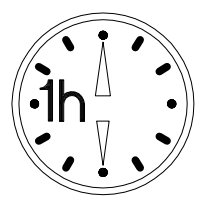
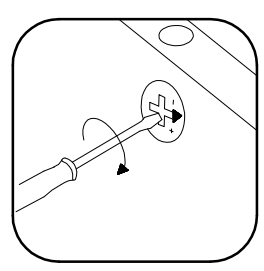
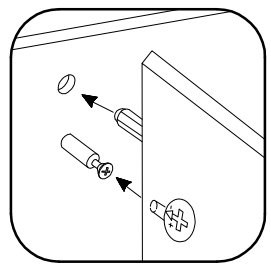
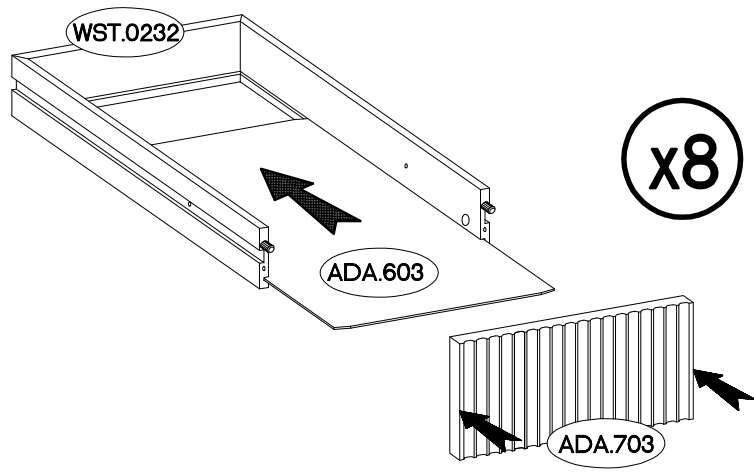
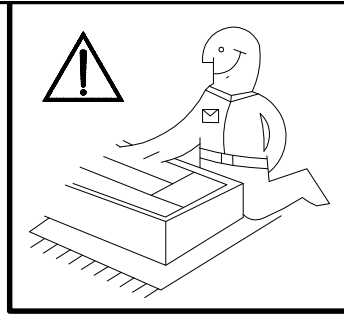
|   |
|---|
| 0,05<br><br>O11<br>2 |
|---|

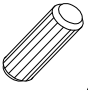



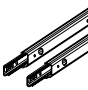



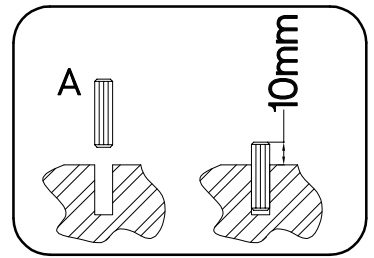
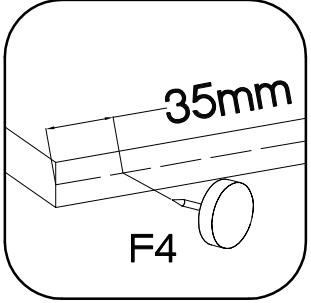
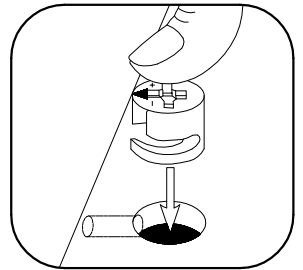
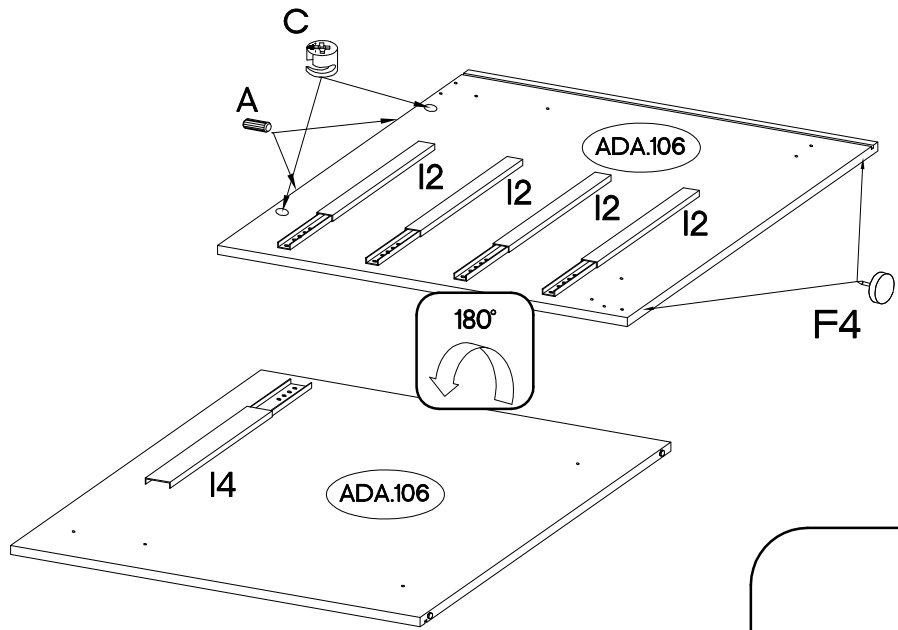
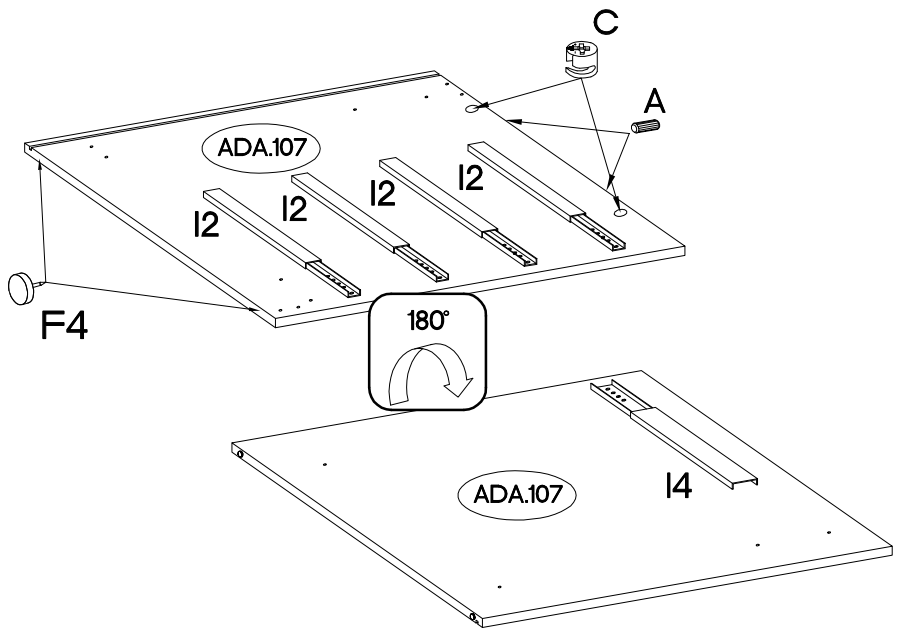
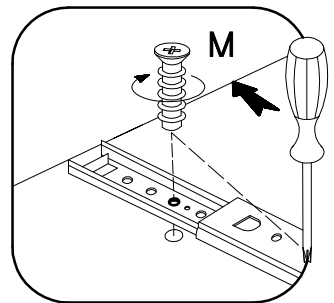
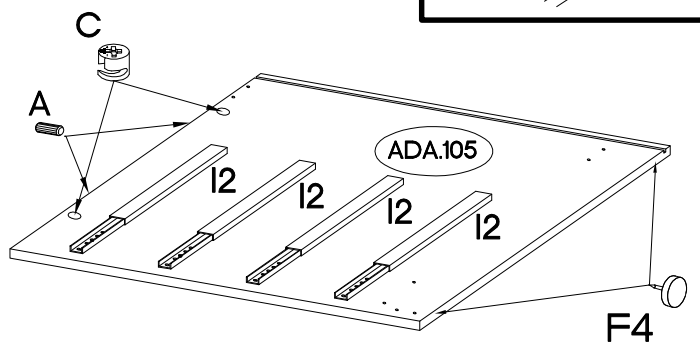
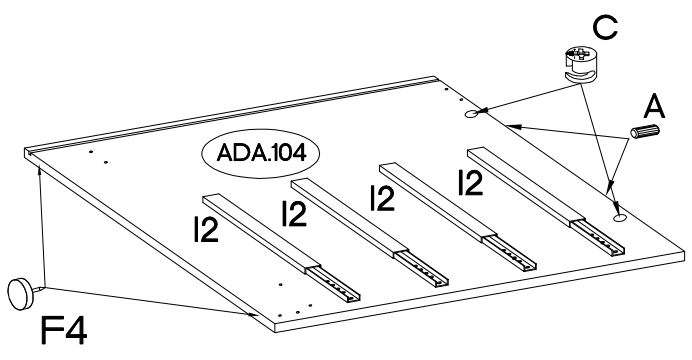
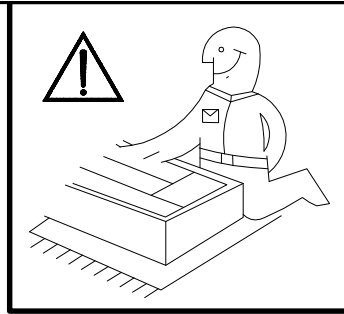
8

|   |
|---|
| L=20/8mm<br><br>D9<br>16 |
|---|

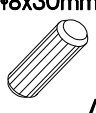



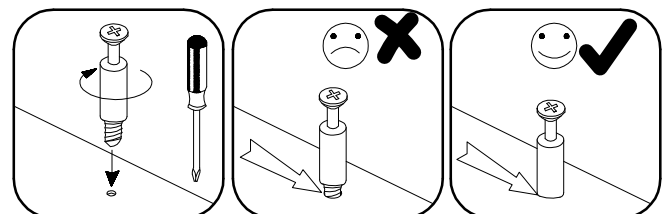
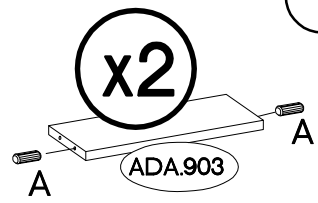
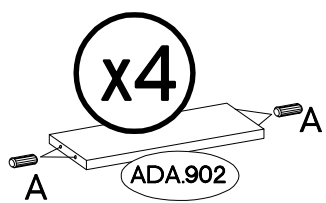
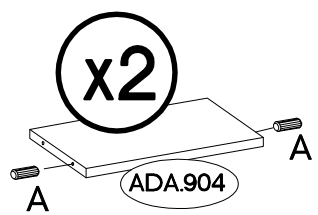
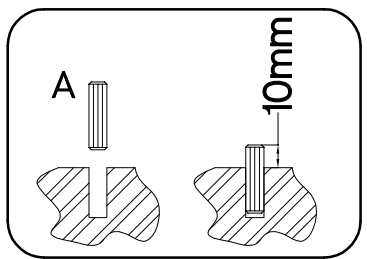
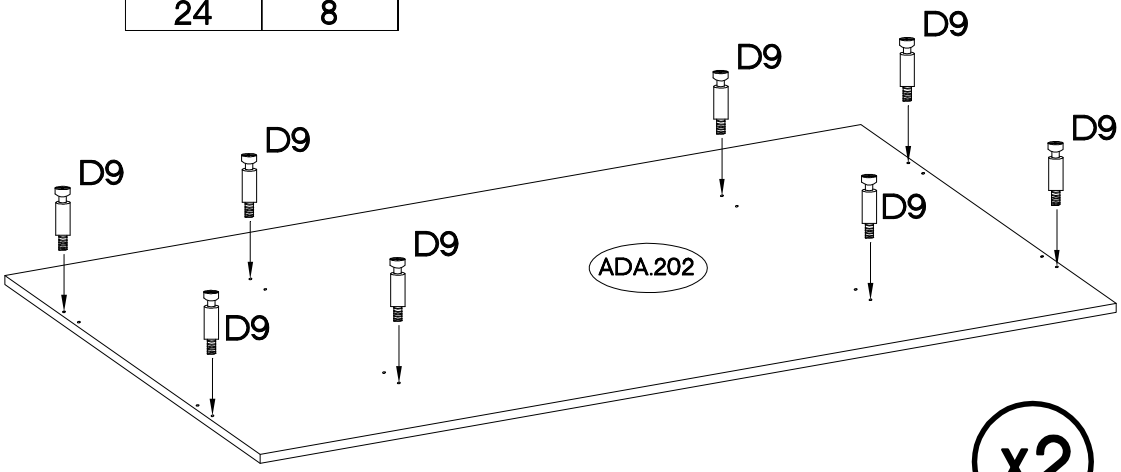
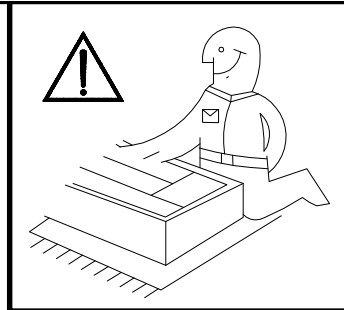


|  |   |   |  |  |  |
|--|---|---|--|--|--|
| +8x30mm<br><br>A | +15/12mm<br><br>C | +15x5mm<br><br>F4 | 17/310mm<br><br>12 | 27/310mm<br><br>14 | +5.0x13mm<br><br>M |
| 8  | 8   | 8   | 8  | 1  | 36   |


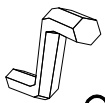


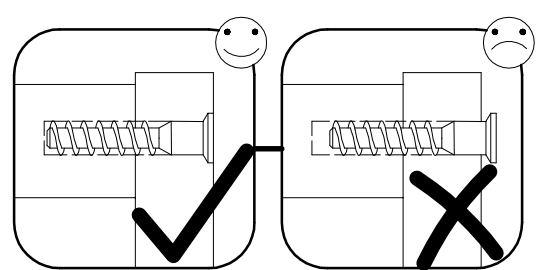
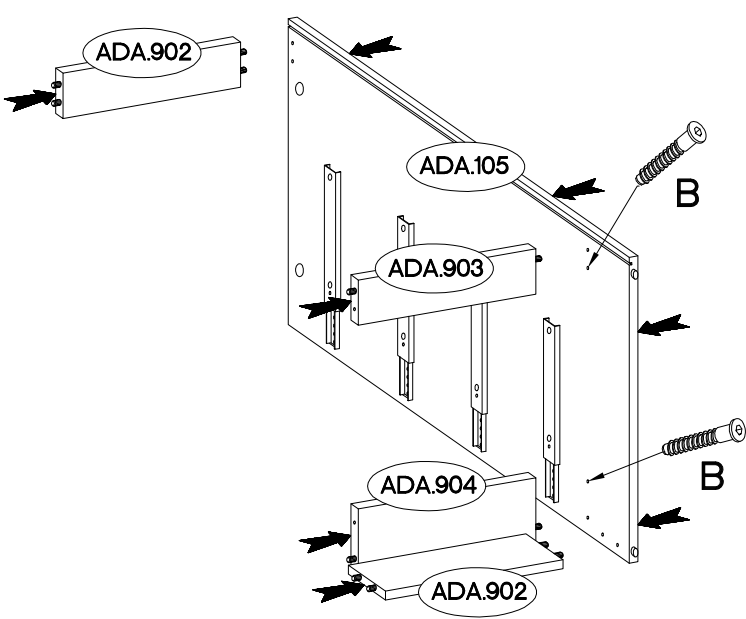
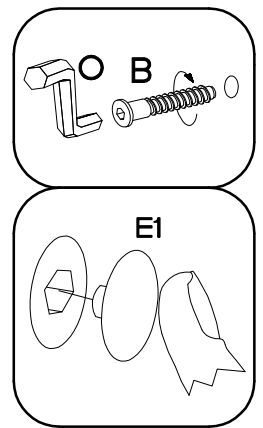
# 11

|  |  |
|--|--|
| ±8x30mm  | L=20/8mm   |
|  |  |
| A  | D9   |
| 24   | 8  |



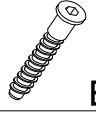
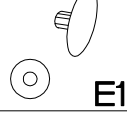
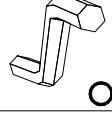
# 12

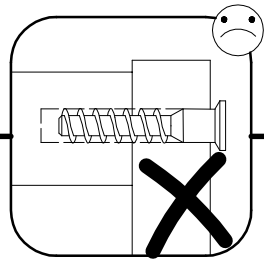
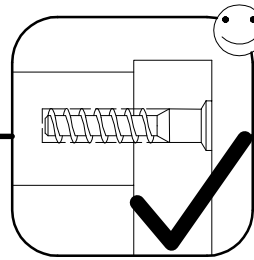
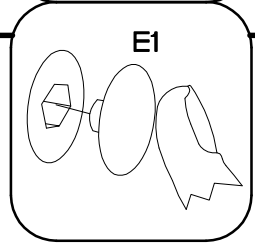
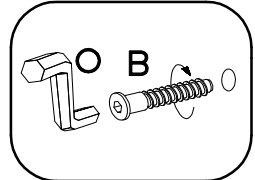
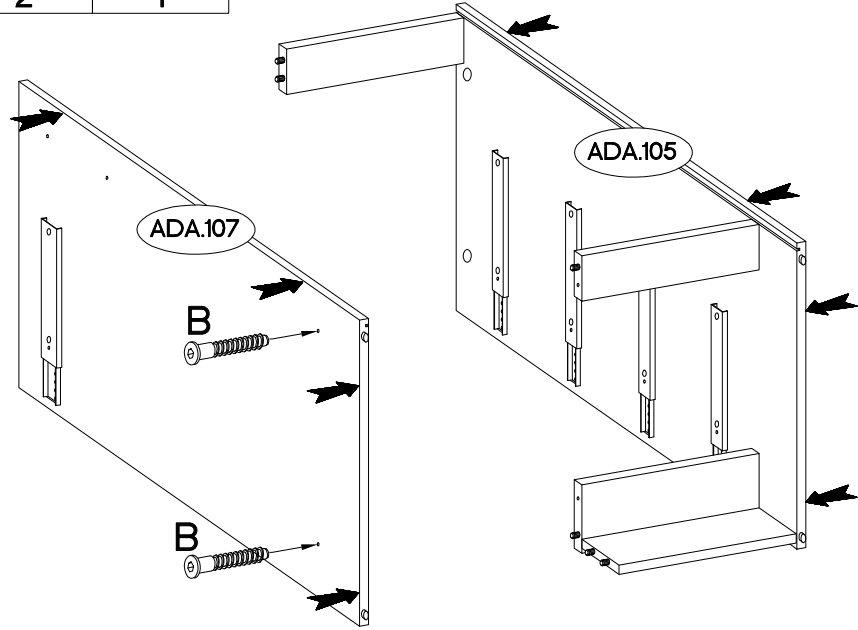
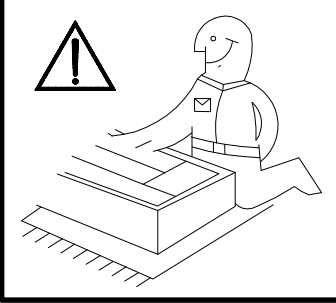
|            |   |   |
|------------|---|---|
| 6,4 x 50mm |  |  |
| B          | E1  | O   |
| 2          | 2   | 1   |



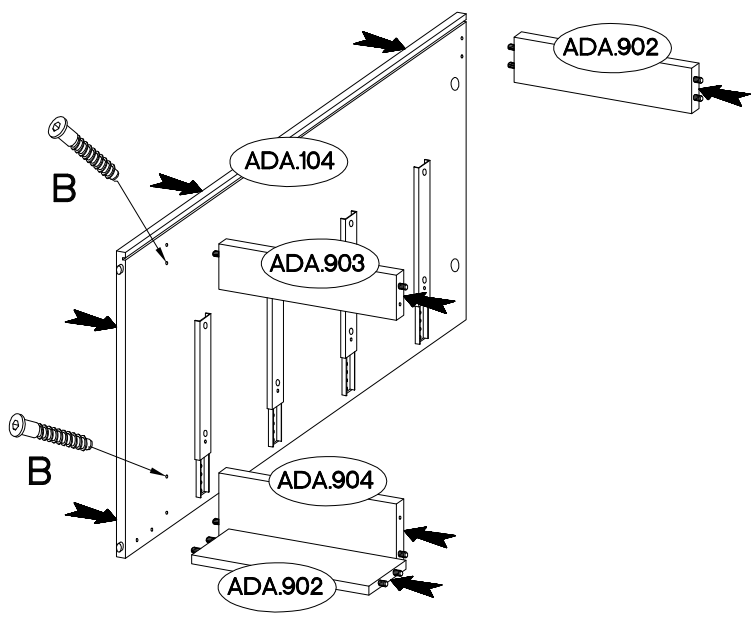
# 13

6,4 x 50mm

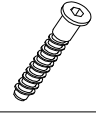
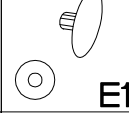
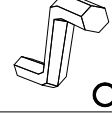
|  |  |  |
|--|--|--|
|  |  |  |
| <b>B</b>   | <b>E1</b>  | <b>O</b>   |
| 2  | 2  | 1  |

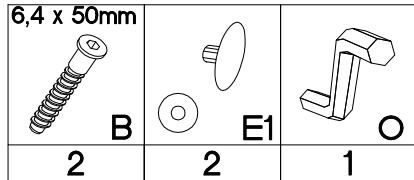


# 14

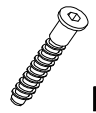
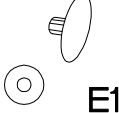
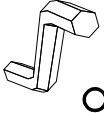


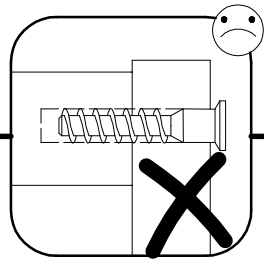
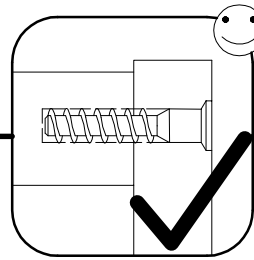
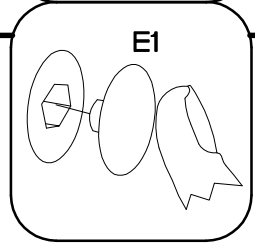
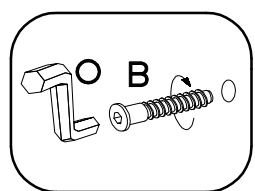
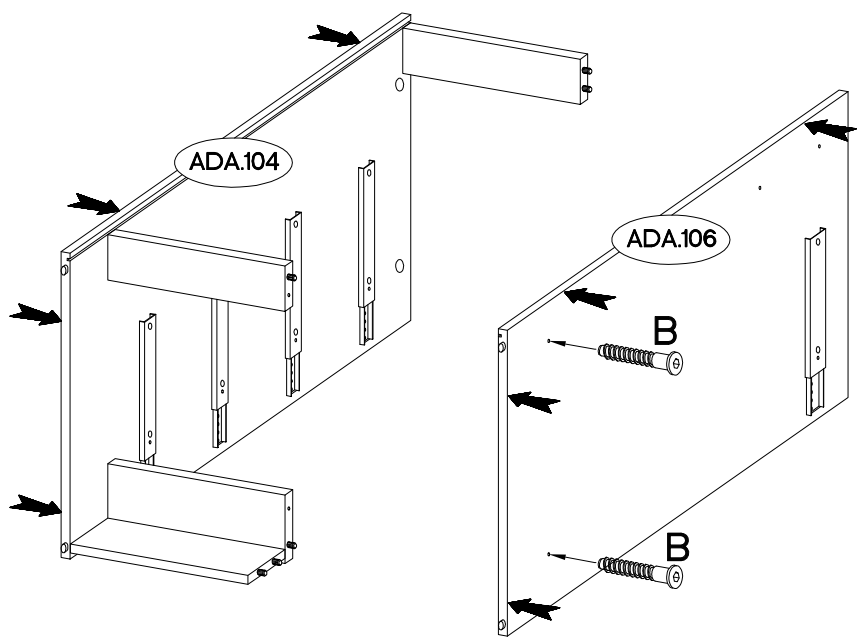
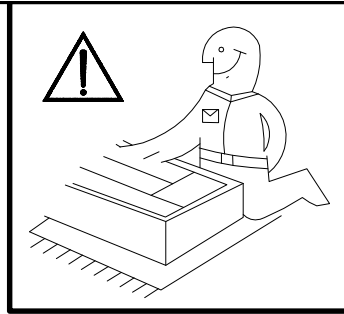
6,4 x 50mm

|  |   |   |
|--|---|---|
|  |  |  |
| <b>B</b>   | <b>E1</b>   | <b>O</b>  |
| 2  | 2   | 1   |

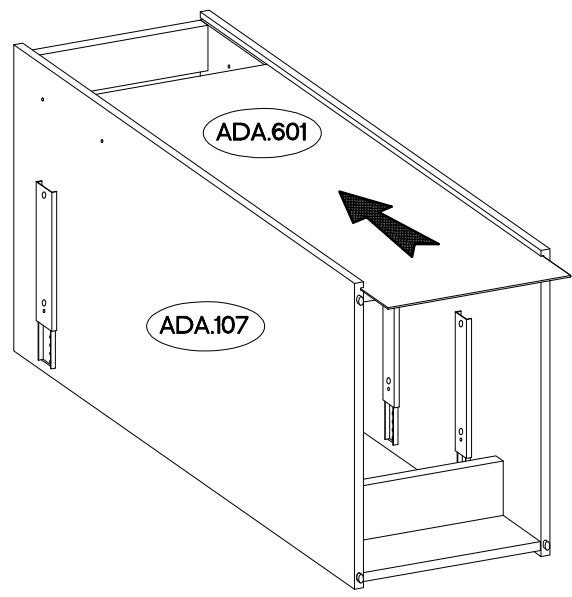
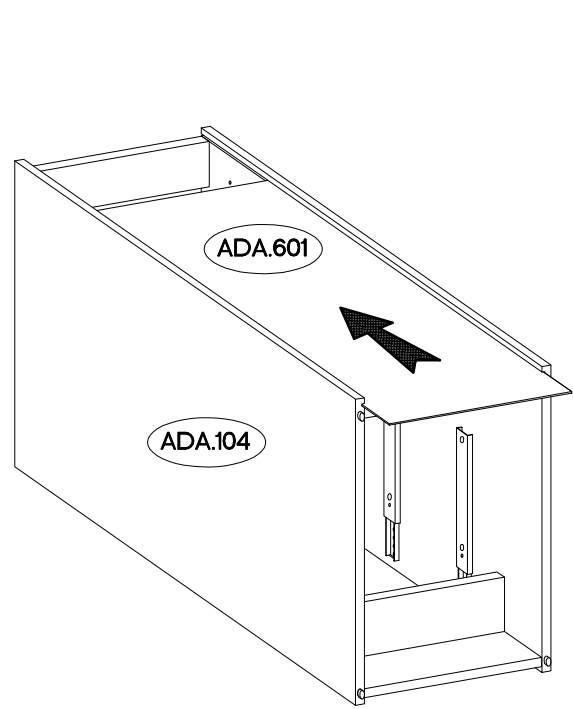


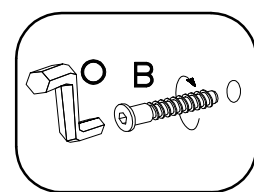
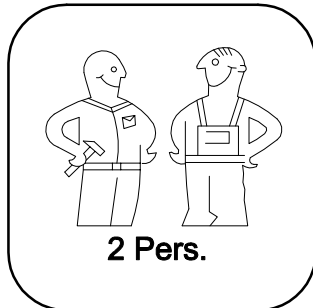
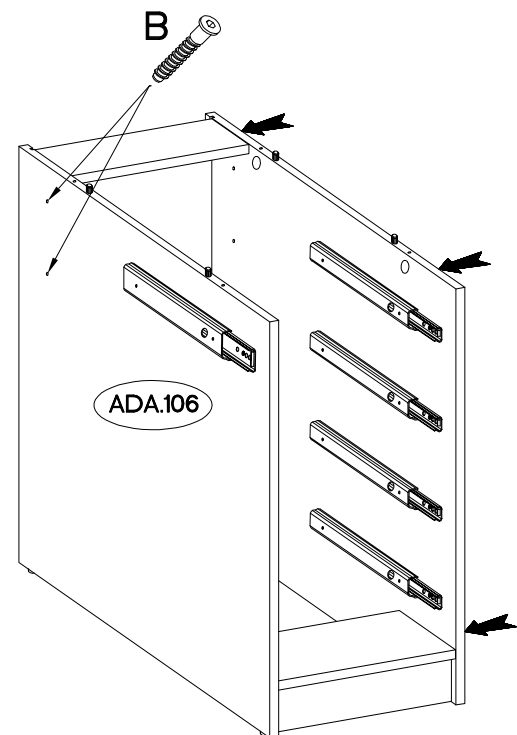
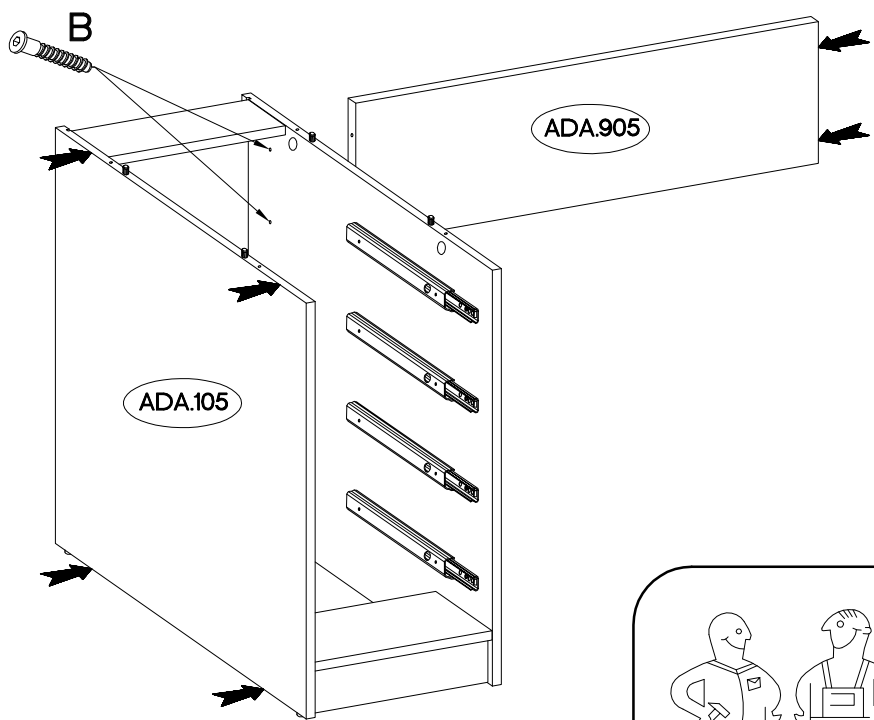
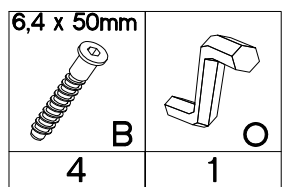
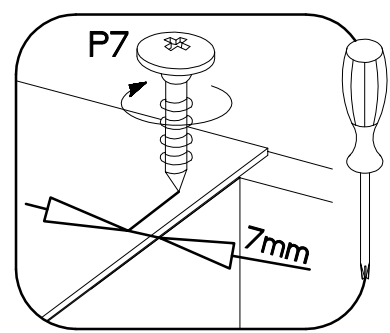
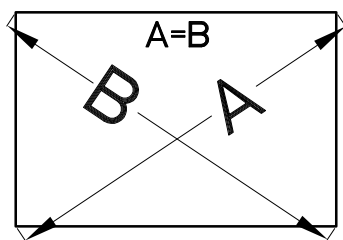
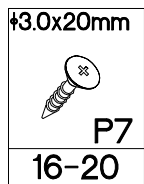
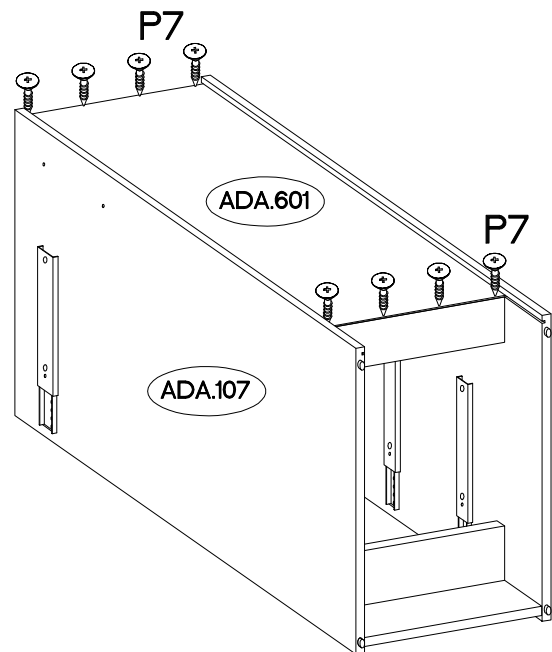
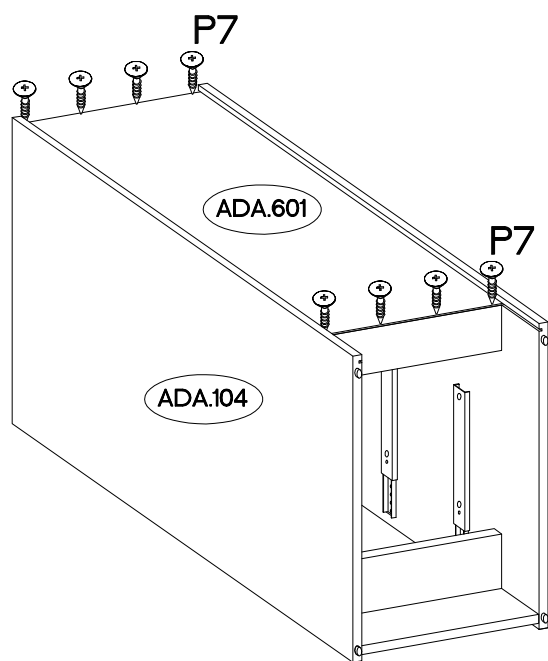
15

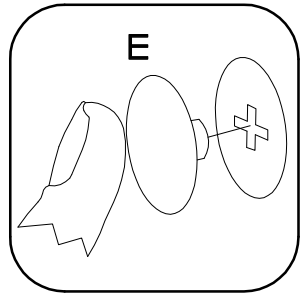
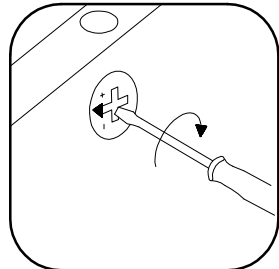
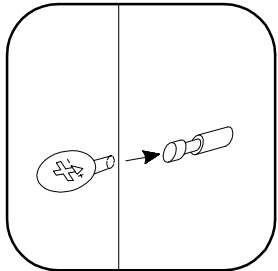
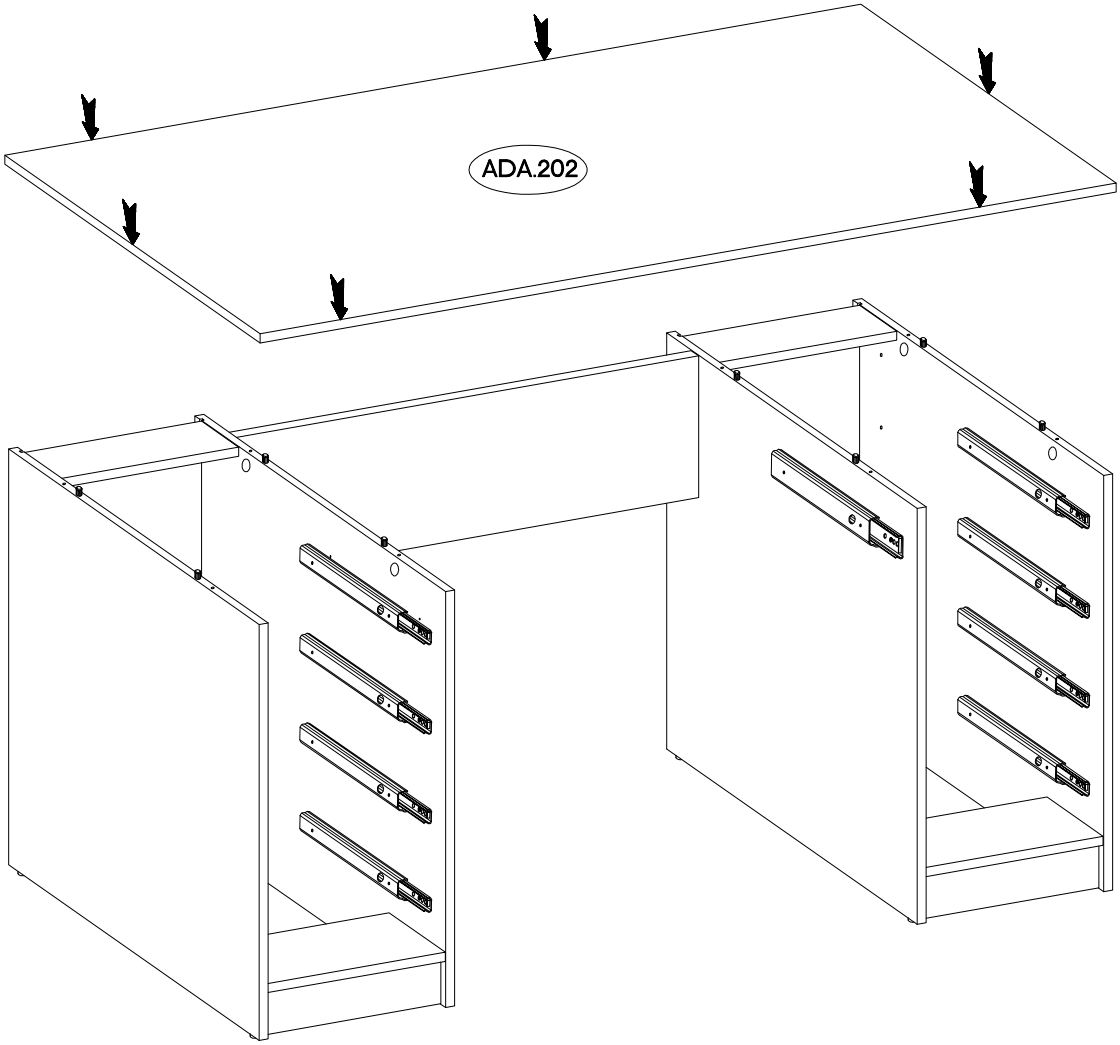
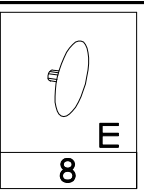
|  |  |  |
|--|--|--|
| 6,4 x 50mm   |  |  |
|  |  |  |
| B  | E1   | O  |
| 2  | 2  | 1  |



16







M4x9mm

L=32mm



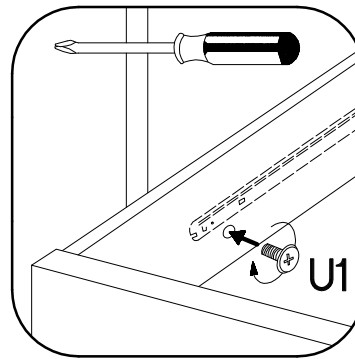
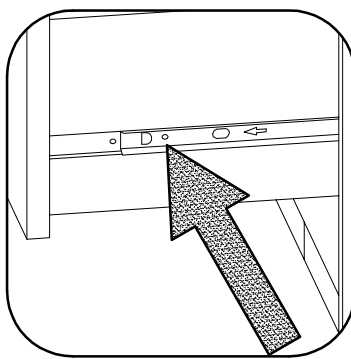
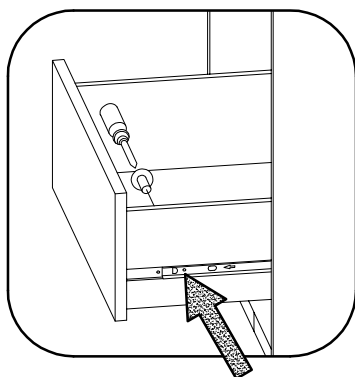
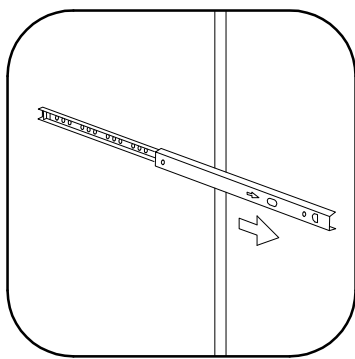
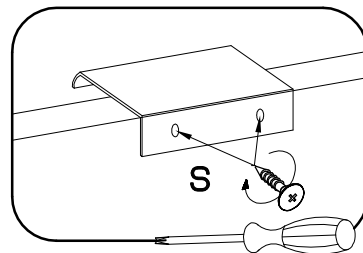
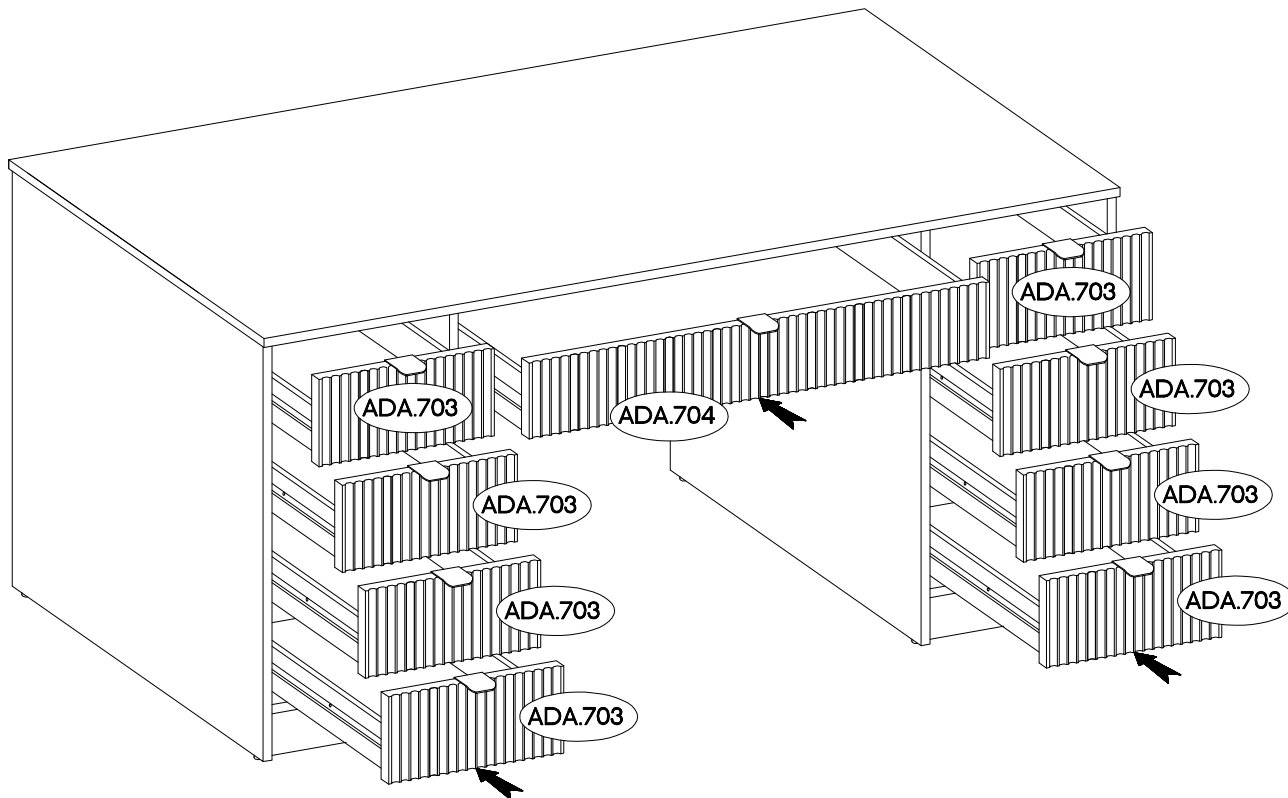
U1

18



S

9



### VARIANT HIGH GLOSS

