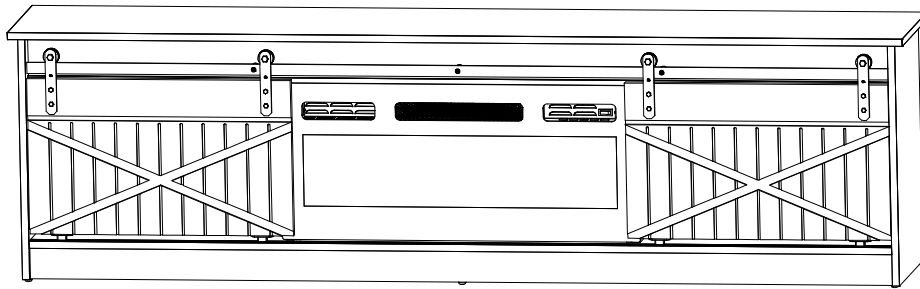


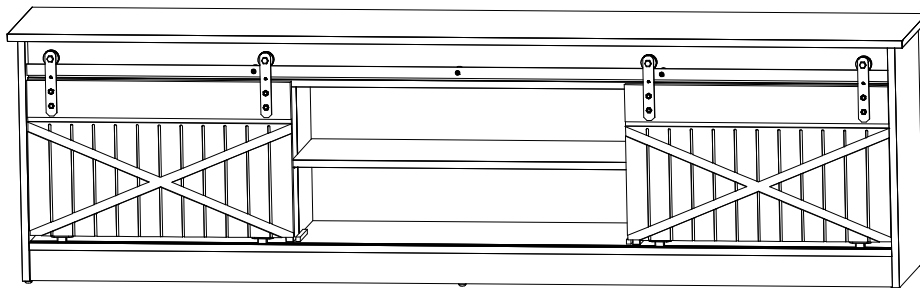
GRANERO

GRANERO 01

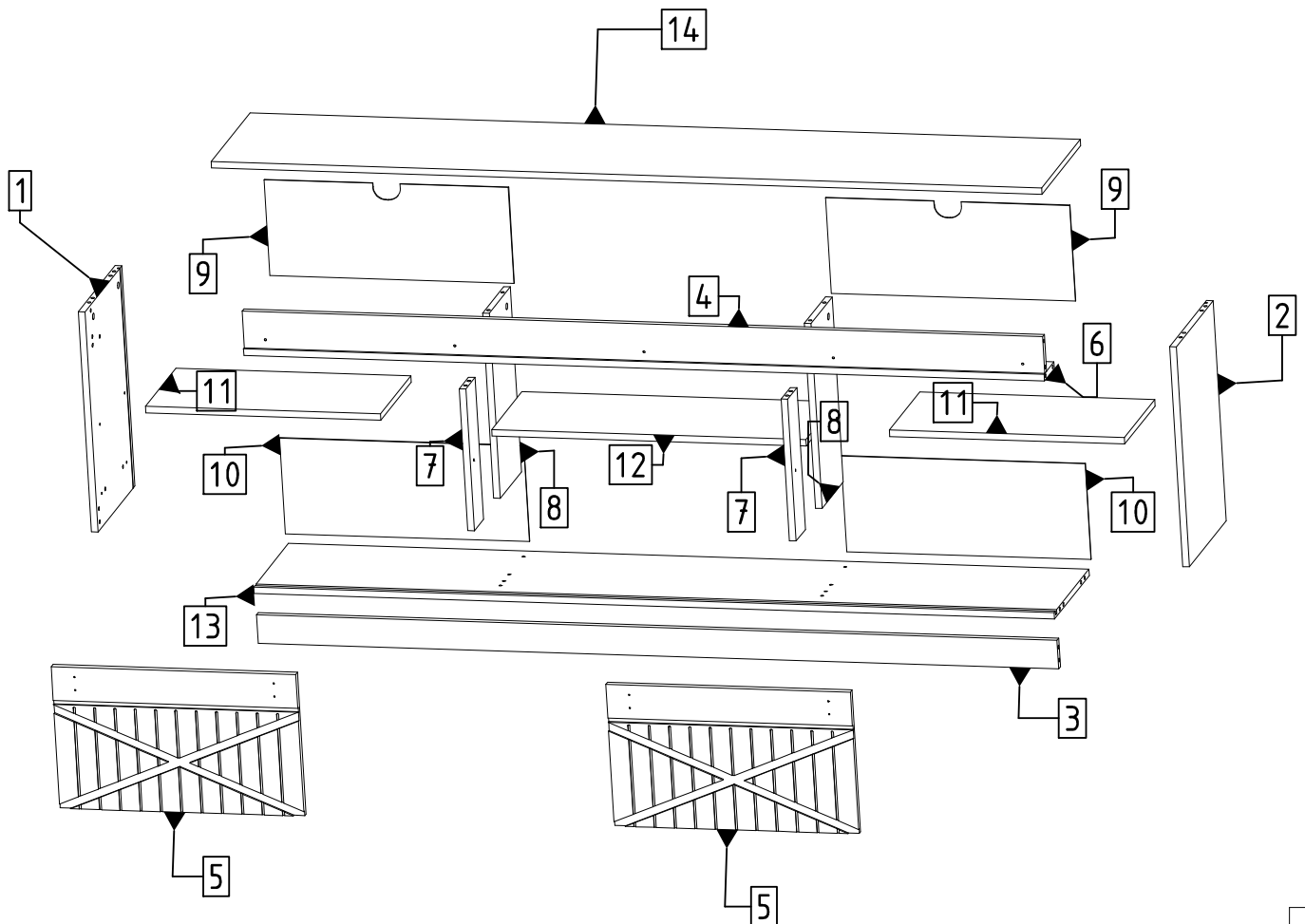
OP-138/139



VARIANT 1

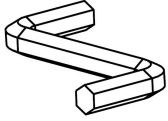
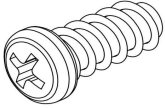

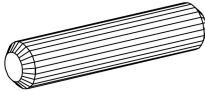
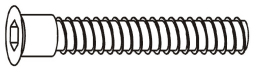
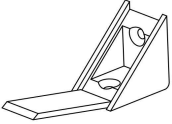


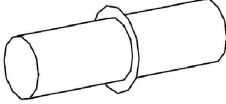
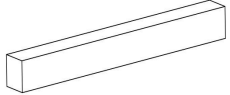
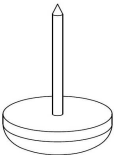
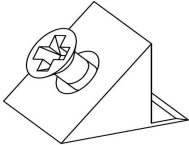
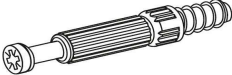
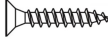
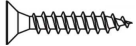
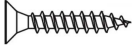
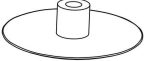
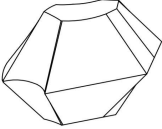
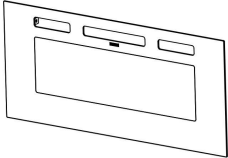
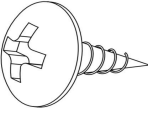
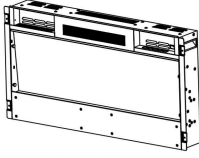

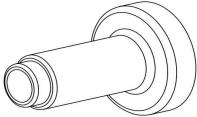

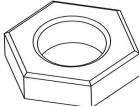

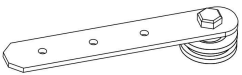


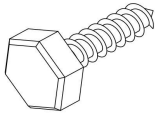
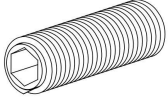


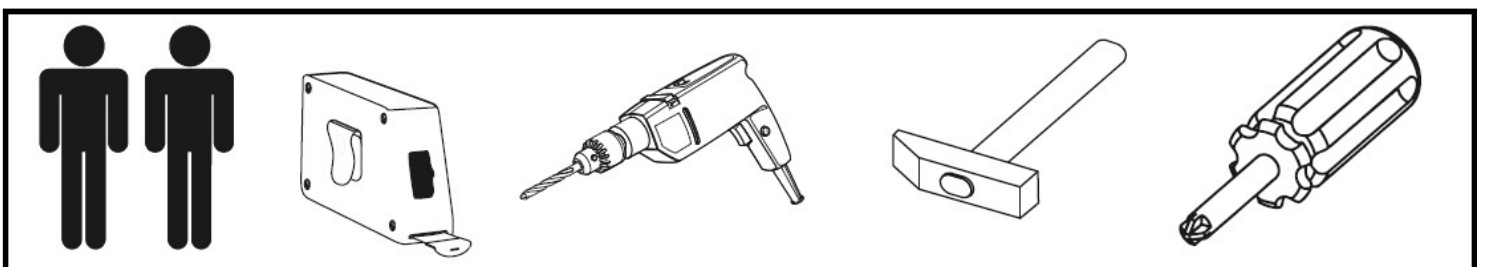
VARIANT 2



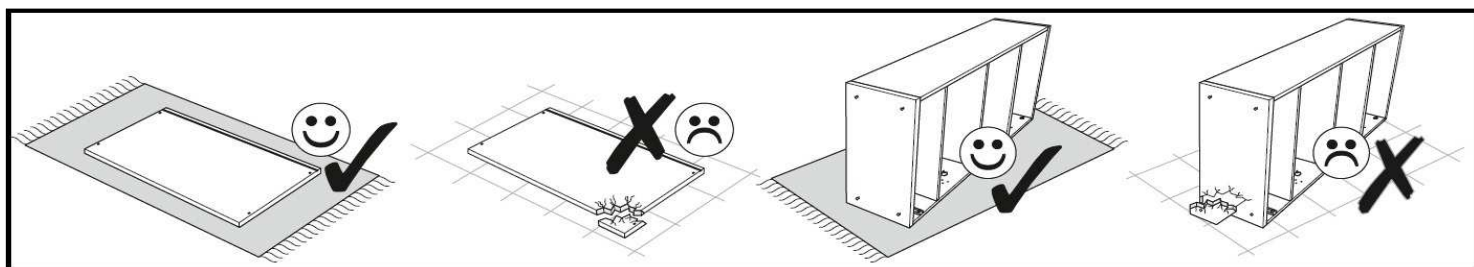
# Table accessories

## GRANERO 01

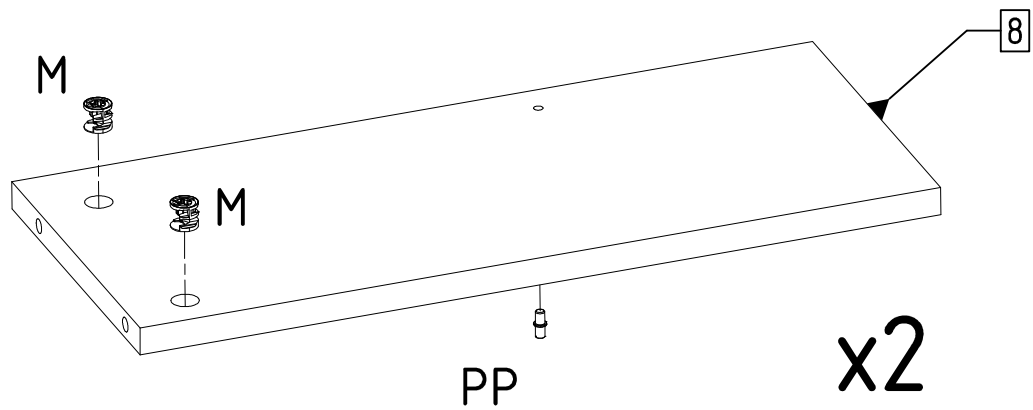
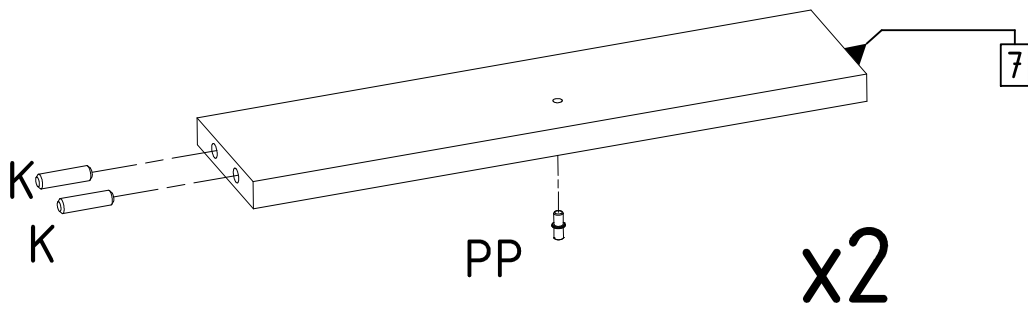
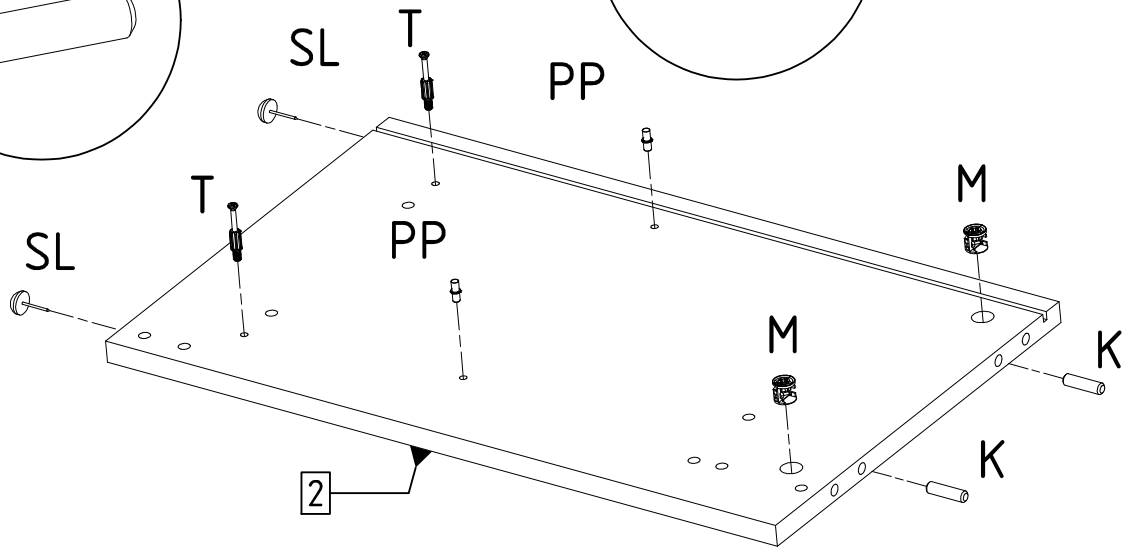
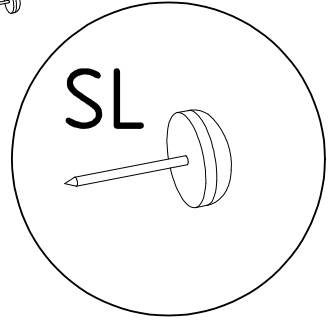
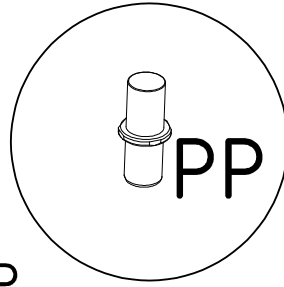
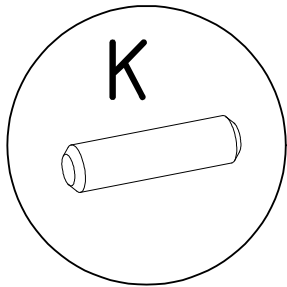
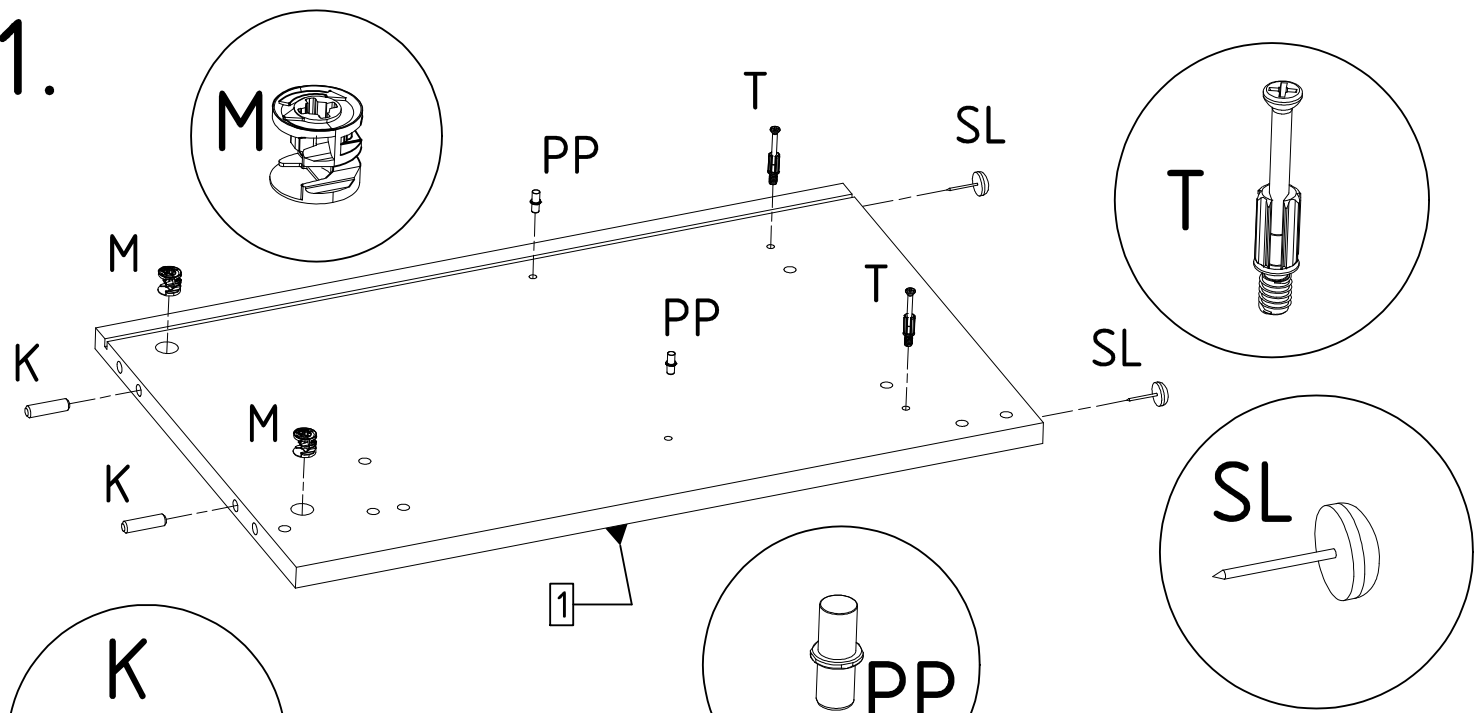
 <b>A1</b>	6,3 X 13  <b>E13</b>	 <b>G</b>	8 x 30  <b>K</b>	6,3 X 50  <b>KN</b>
 <b>KP</b>	15 x 12  <b>M</b>	H:76mm  <b>N8</b>	 <b>PP</b>	 <b>PPK</b>
 <b>SL</b>	 <b>ST</b>	6 x 34 mm  <b>T</b>	4 x 16  <b>W16</b>	3 x 16mm  <b>W3</b>
4 X 25mm  <b>W4</b>	 <b>Z</b>			
 <b>KRD</b>	 <b>SK2</b>	 <b>WK</b>	 <b>WKL2</b>	
L=1926mm  <b>BZ</b>	 <b>DS</b>	 <b>E50</b>	 <b>NK4</b>	 <b>PDK</b>
 <b>PF</b>	 <b>PFD</b>	L=1926mm  <b>PRF</b>	 <b>WF16</b>	 <b>ZB</b>



Elements				Accessories	
SYMBOL	LENGTH	WIDTH	QUANTITY	SYMBOL	QUANTITY
BL [1]	540	332	1	A1	1
BP [2]	540	332	1	BZ [L=1926mm]	1
CD [3]	1928	70	1	DS	5
CG [4]	1928	90	1	E13	2
FT [5]	589	348	2	E50	5
LT [6]	1928	90	1	G	22
P1 [7]	348	83	2	K	24
P2 [8]	454	190	2	KN	10
PC1 [9]	588	235	2	KP	2
PC2 [10]	588	235	2	KRD (attached to the electric fireplace)	62
PK1 [11]	566	273	2	M	12
PK2 [12]	757	273	1	N8	1
WD [13]	1928	313	1	NK4	5
WG [14]	2000	350	1	PDK	10
				PF	4
				PFD	4
				PP	12
				PPK	2
				PRF [L=1926mm]	1
				SK2 (attached to the electric fireplace)	1
				SL	5
				ST	12
				T	12
				W16	4
				W3	8
				W4	4
				WF16	8
				WK (attached to the electric fireplace)	6
				WKL2 (attached to the electric fireplace)	1
				Z	12
				ZB	4

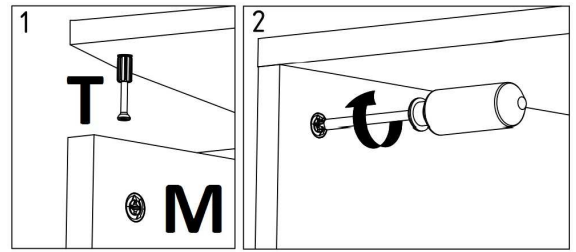
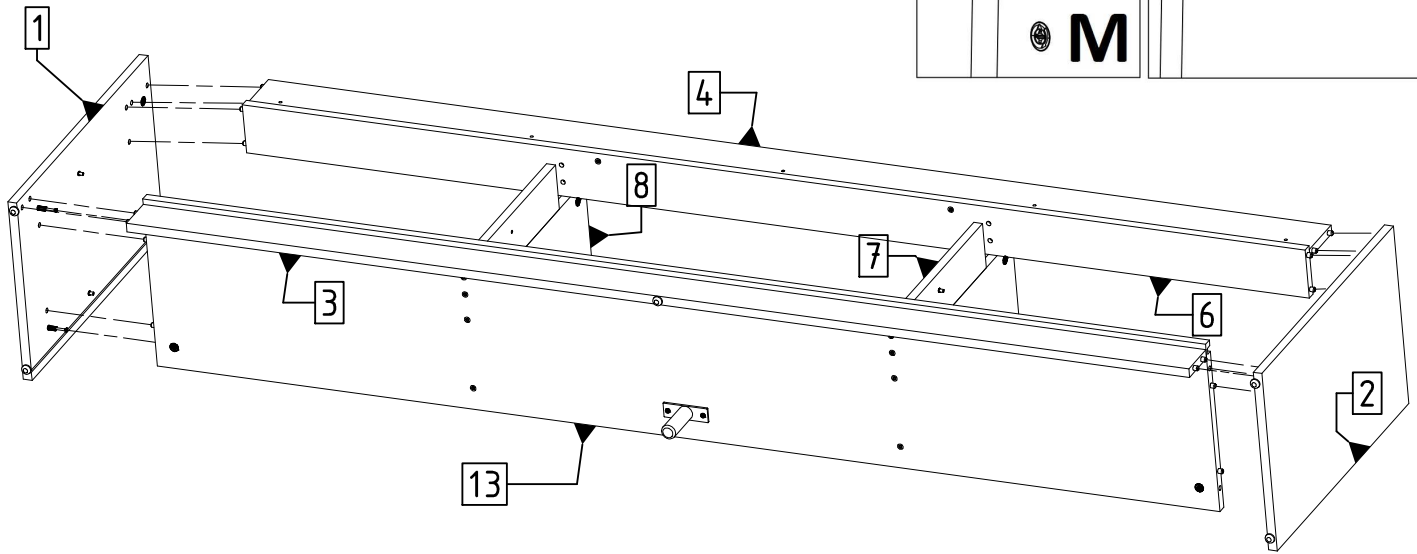


1.

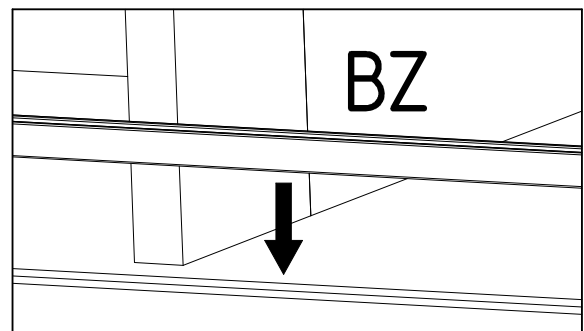
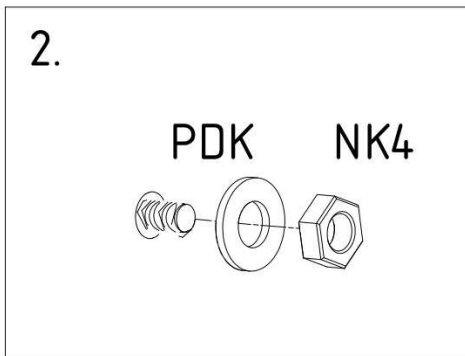
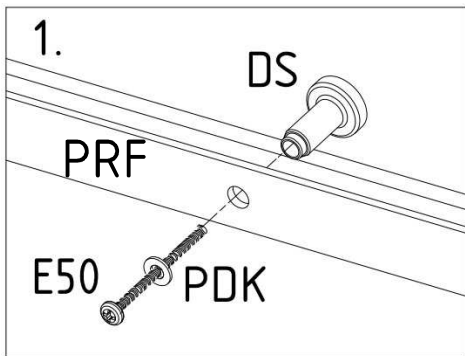
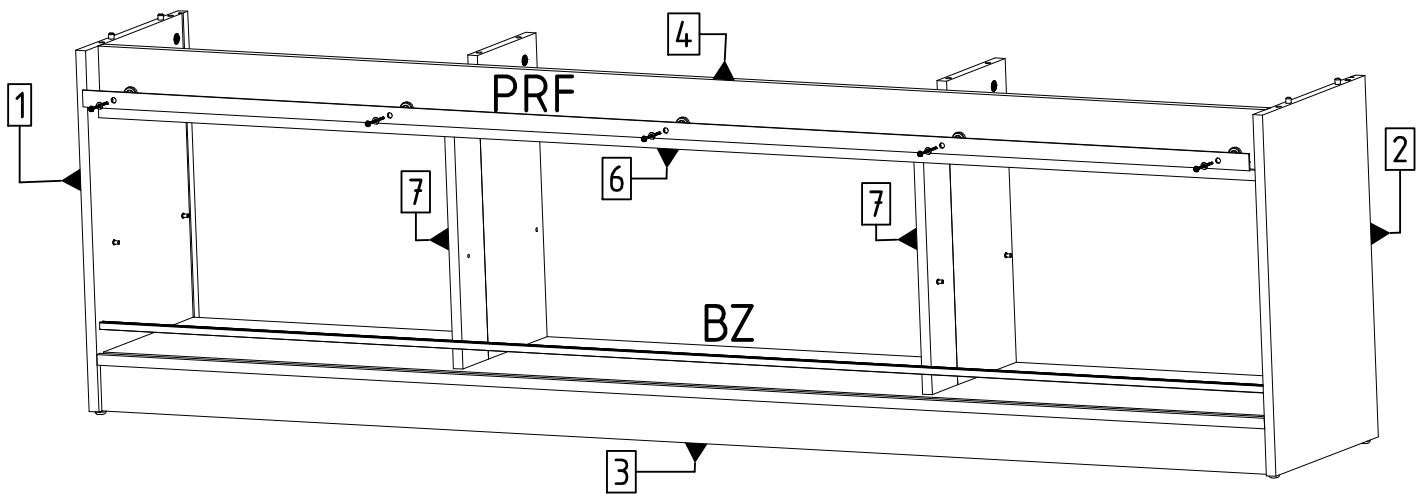


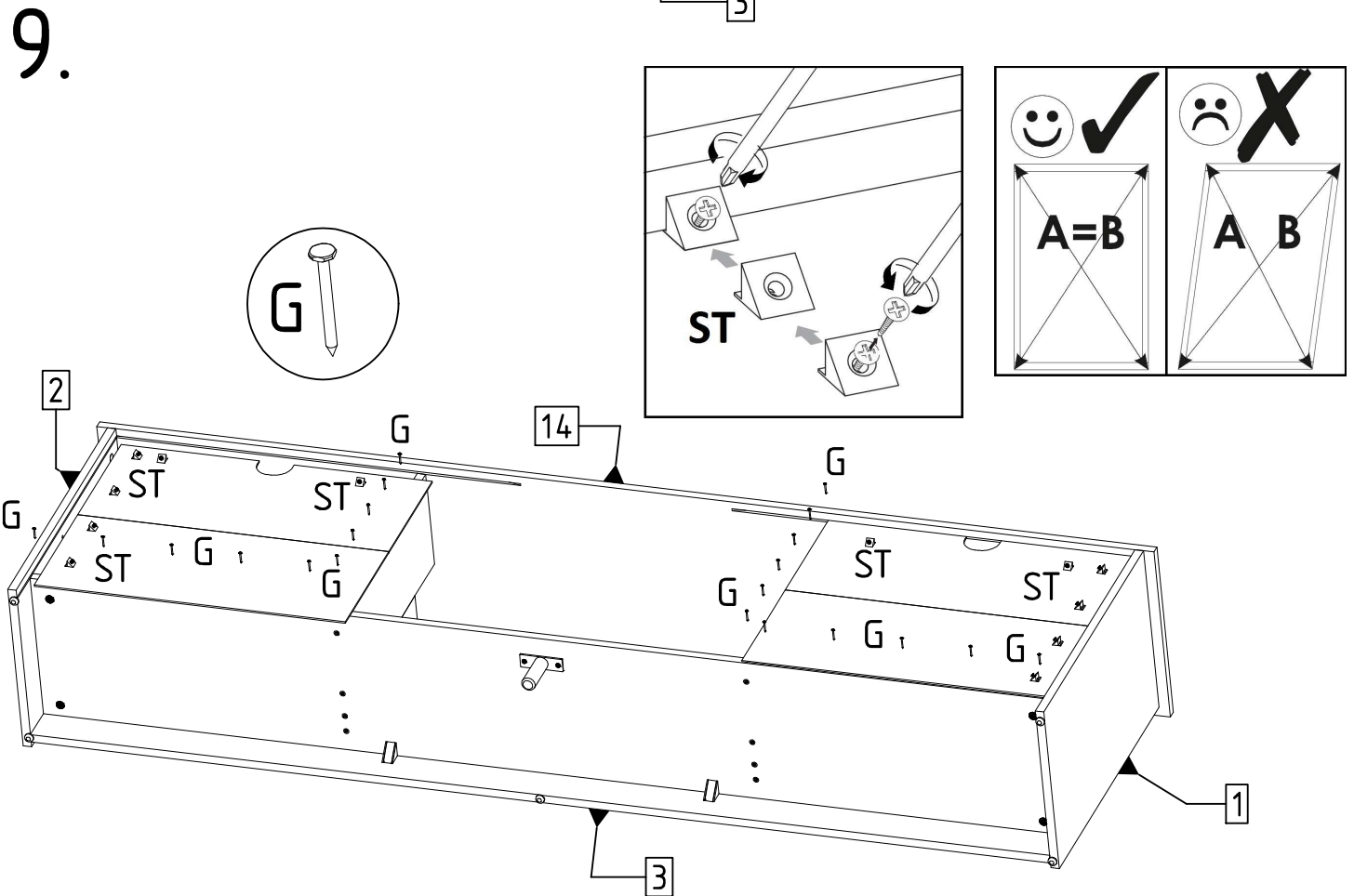
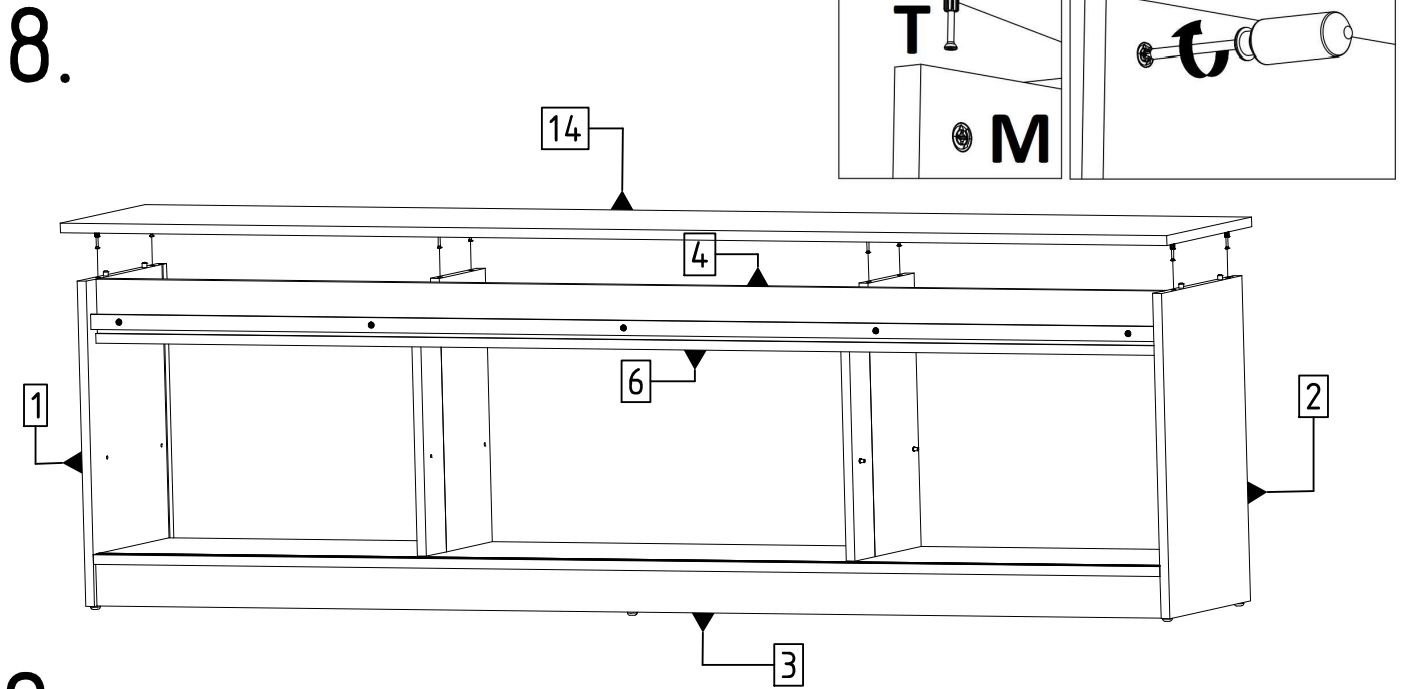
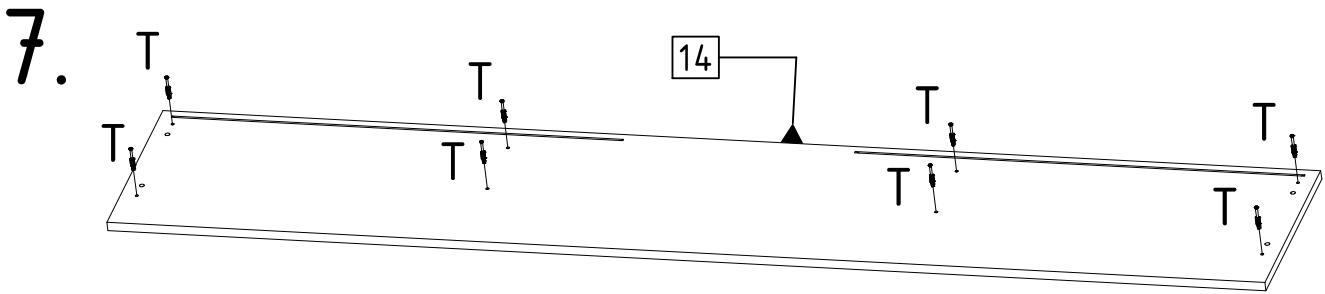


5.

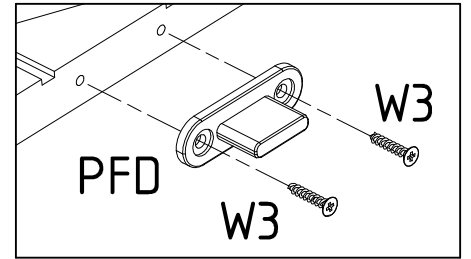
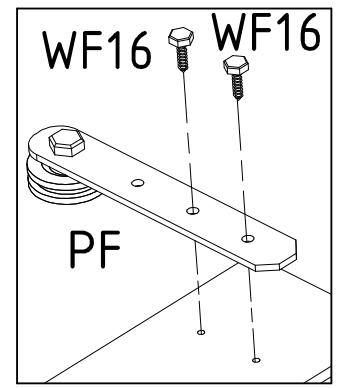
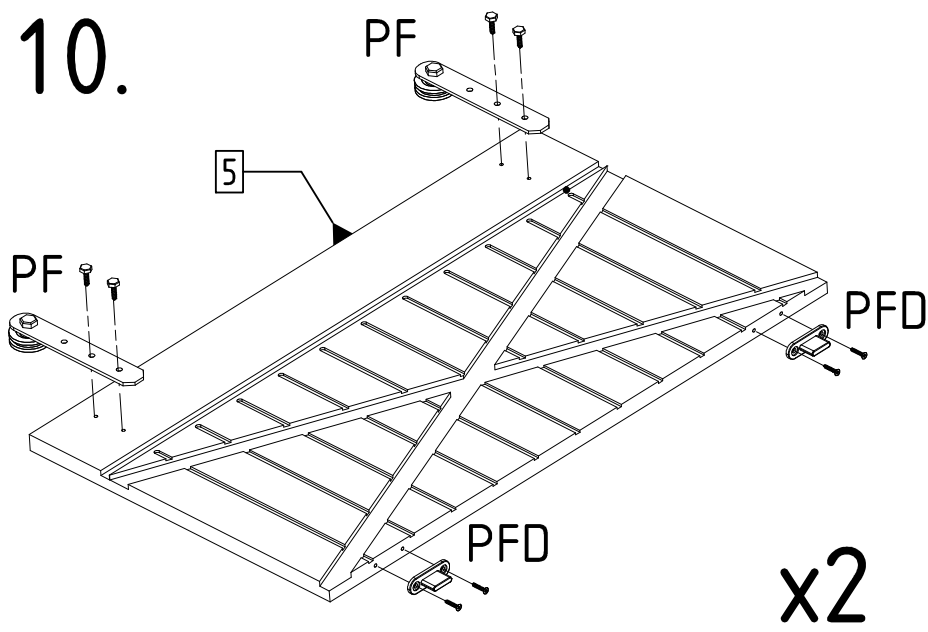


6.



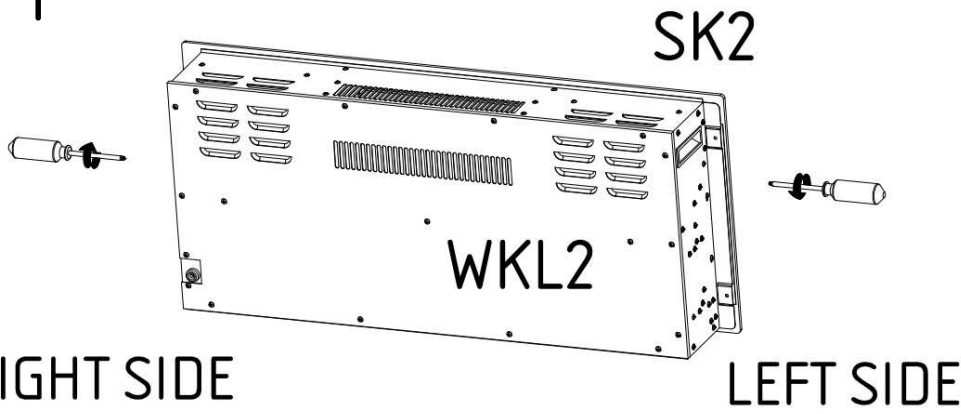


10.



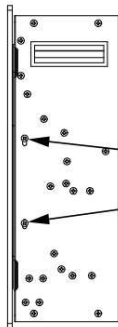
VARIANT 1

11.

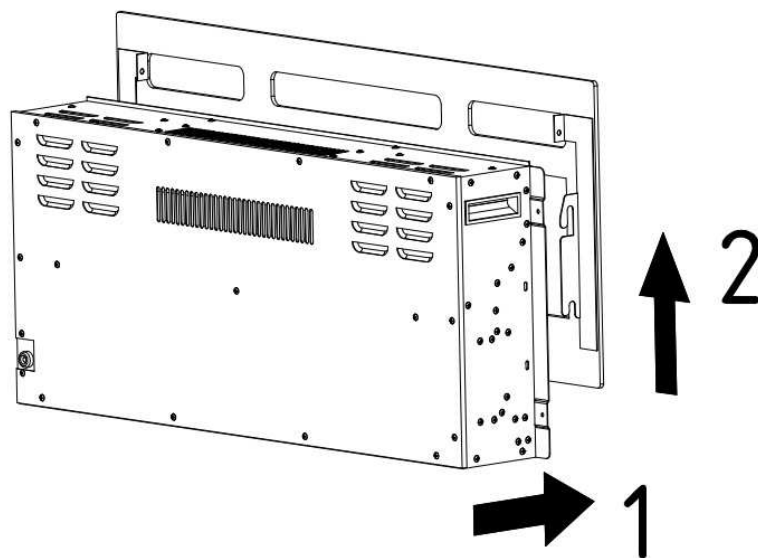
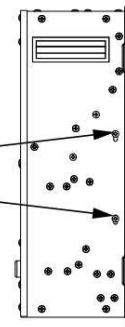


RIGHT SIDE

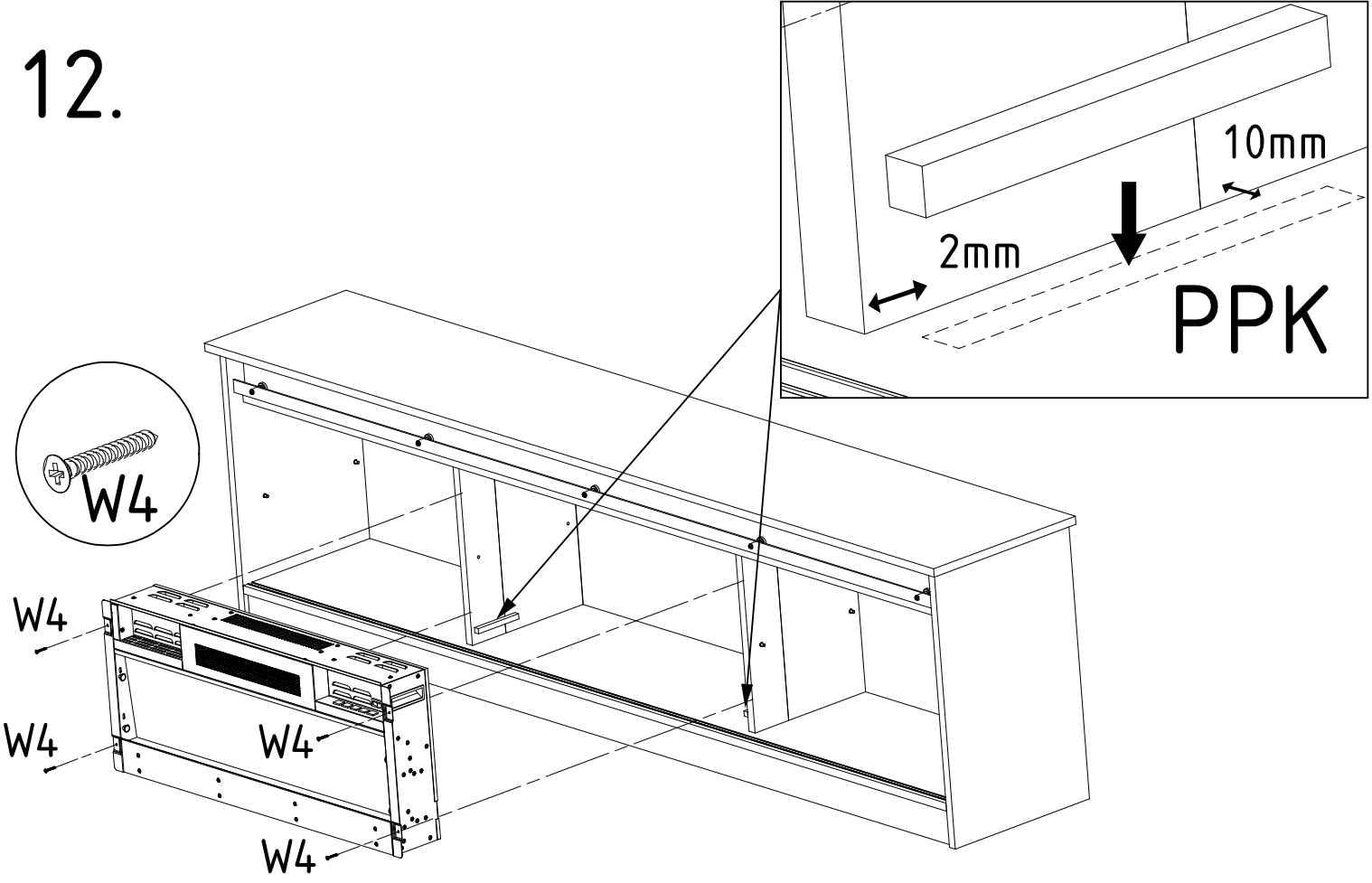
LEFT SIDE



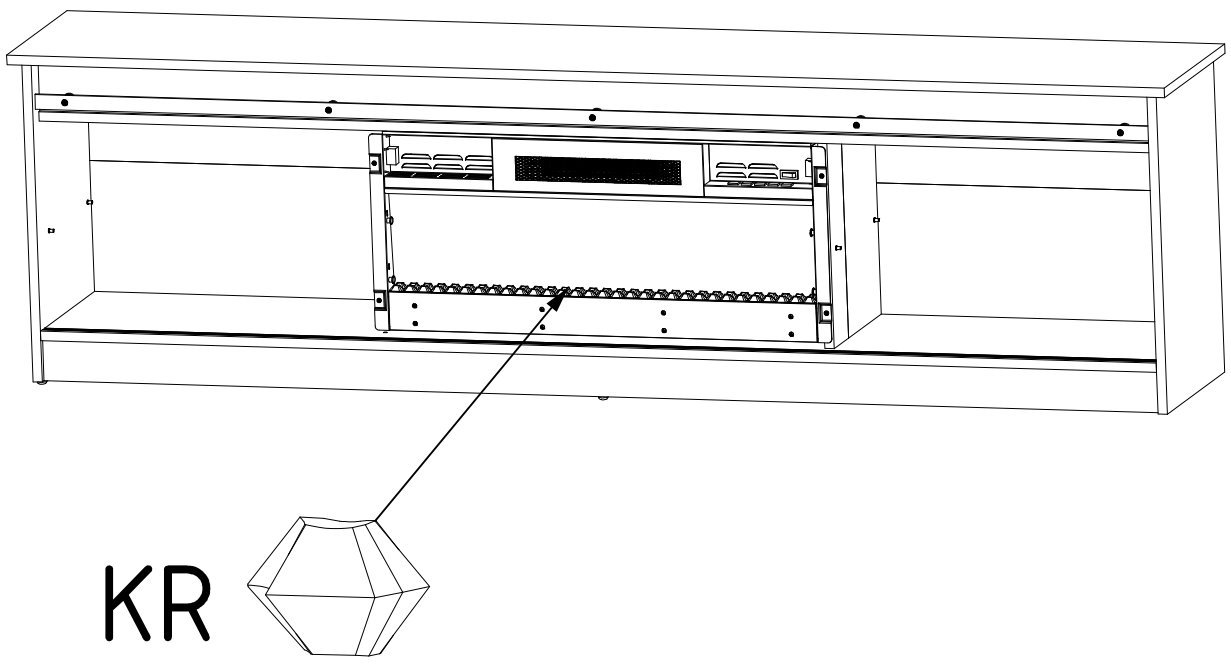
WK



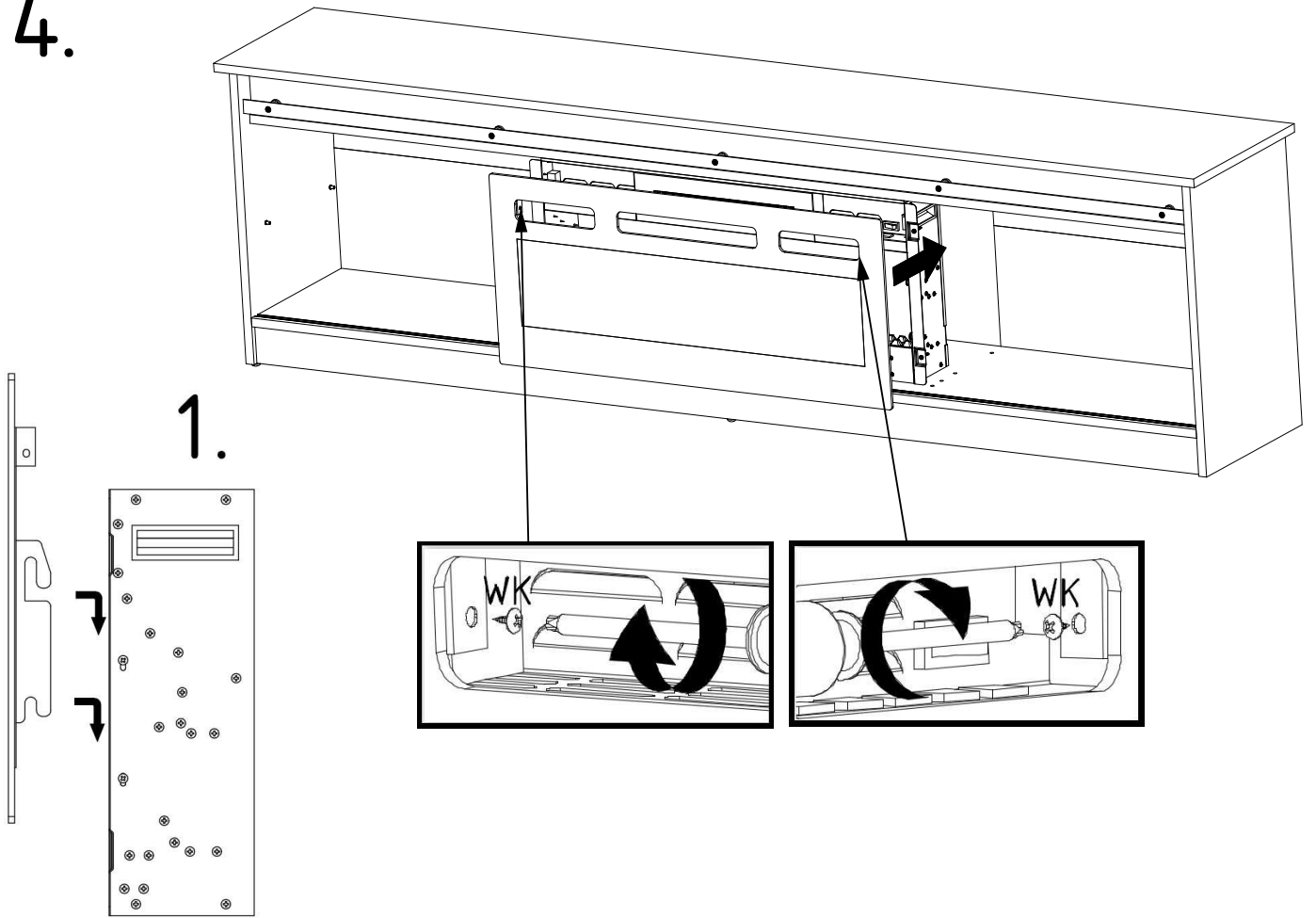
12.



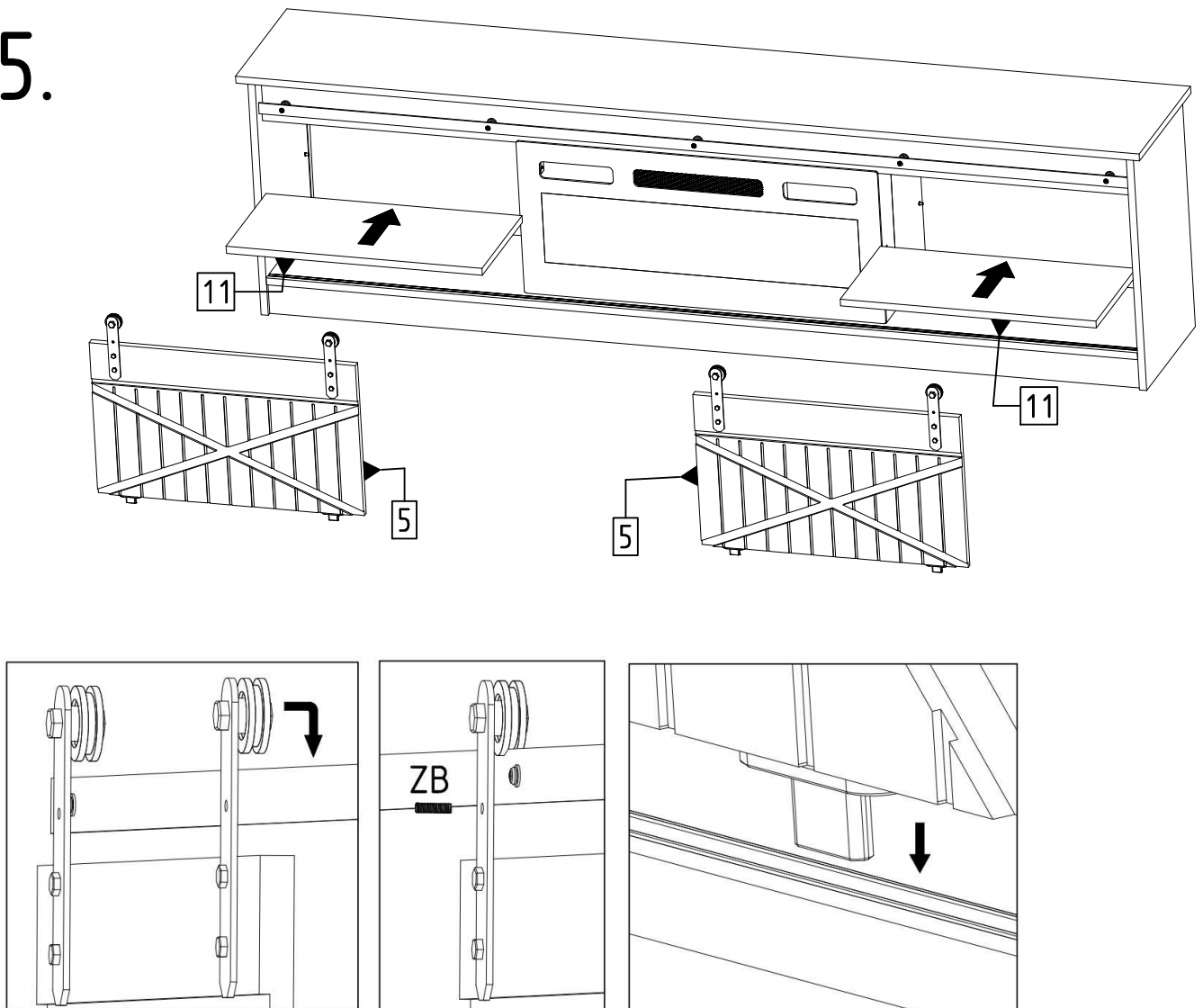
13.

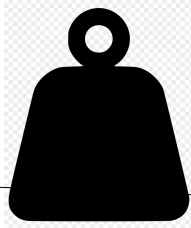


14.

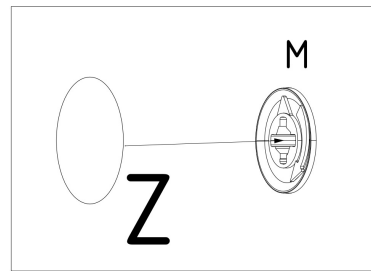
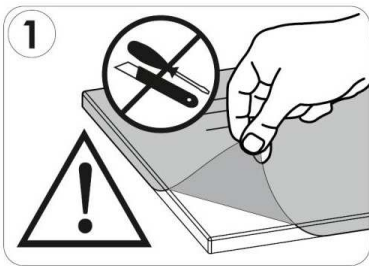
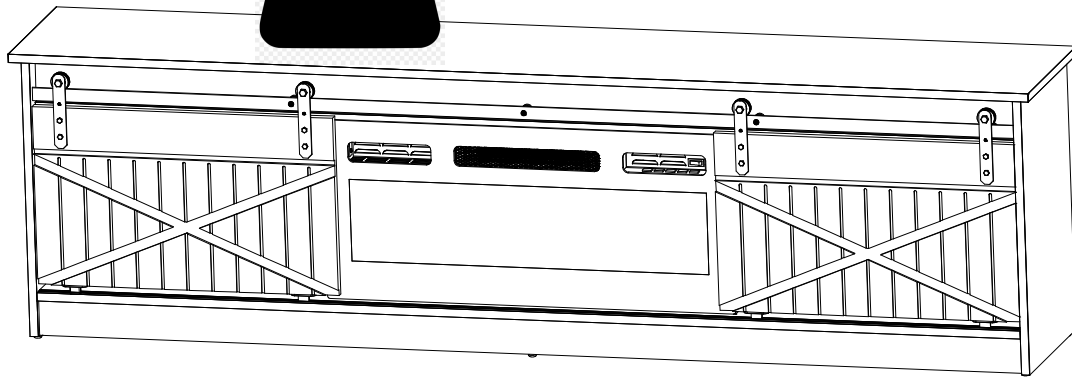


15.



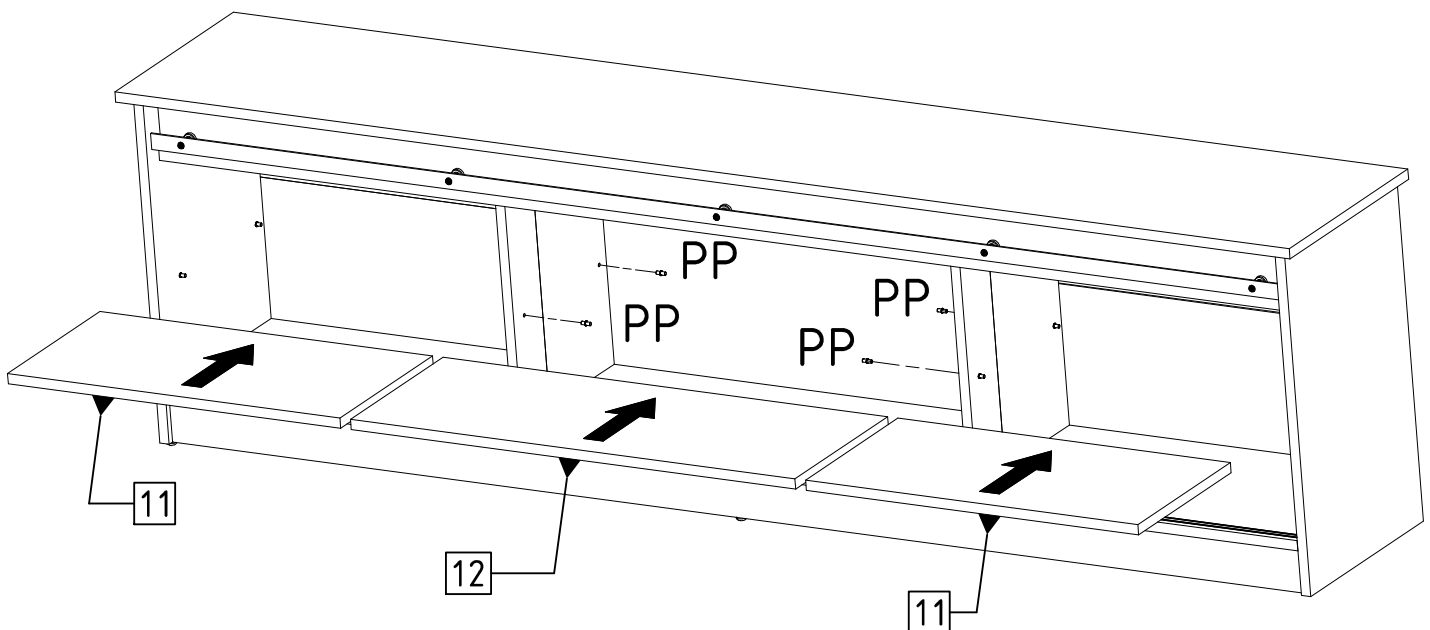
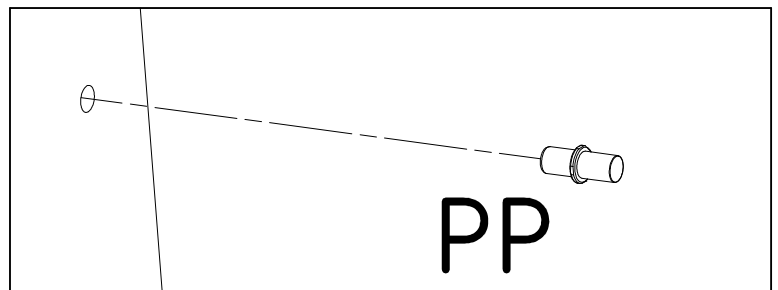


max.  
15 kg

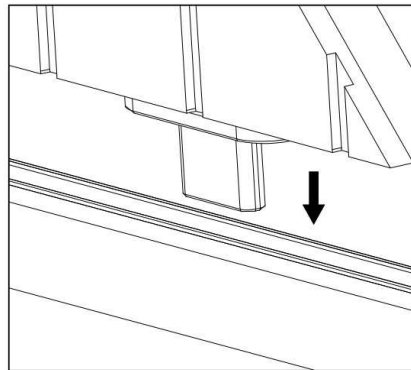
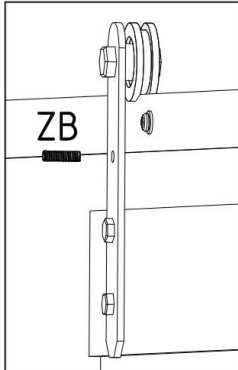
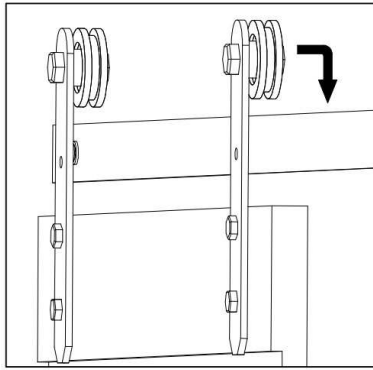
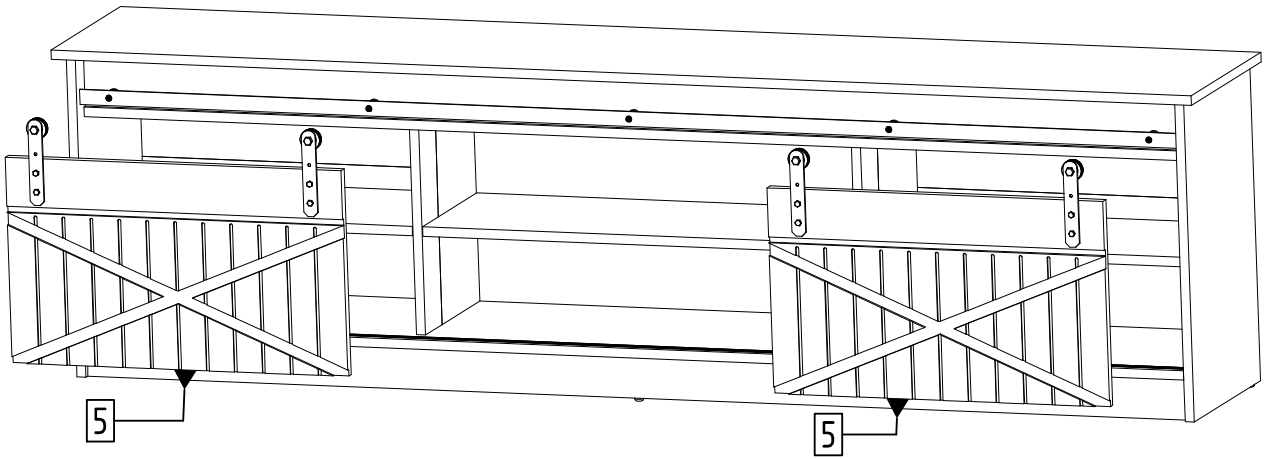


## VARIANT 2

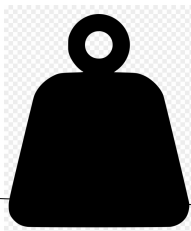
16.



17.



18.



max.  
15 kg

