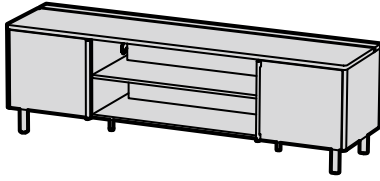


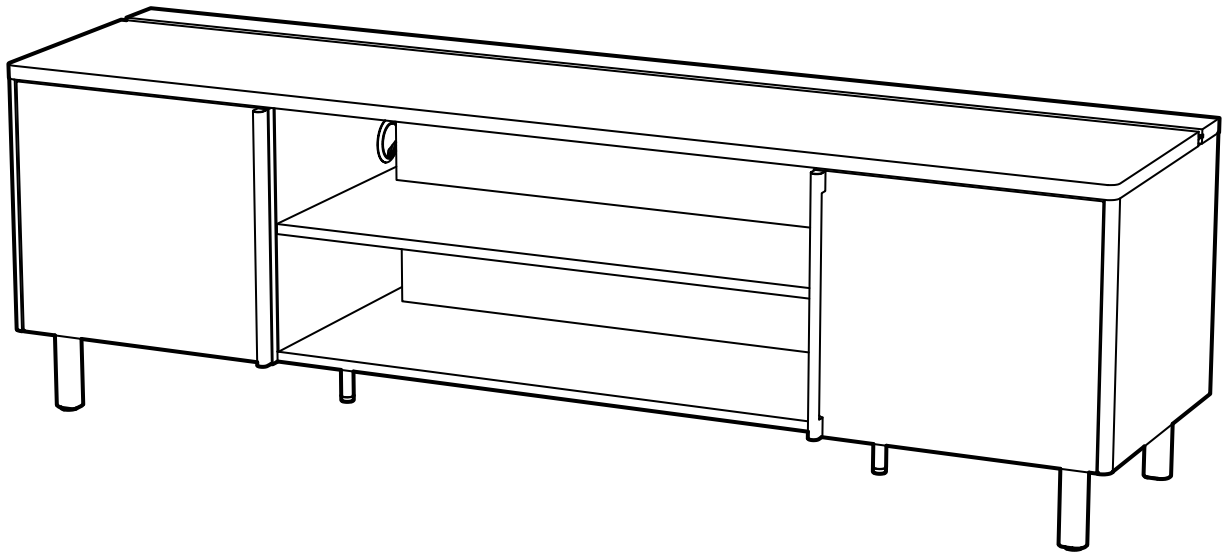
WELL

VOX

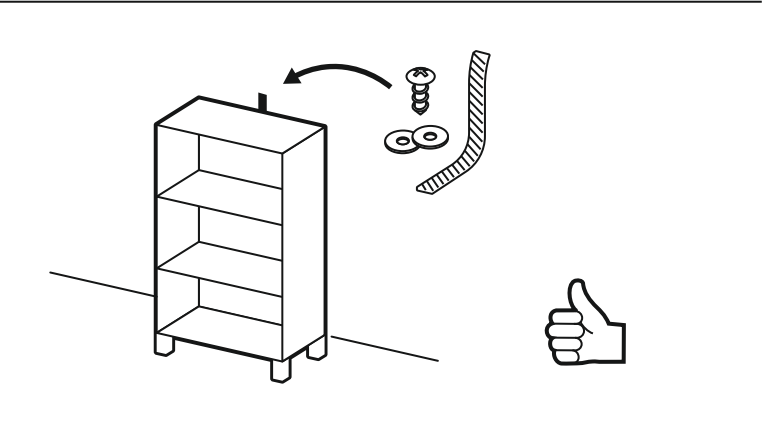
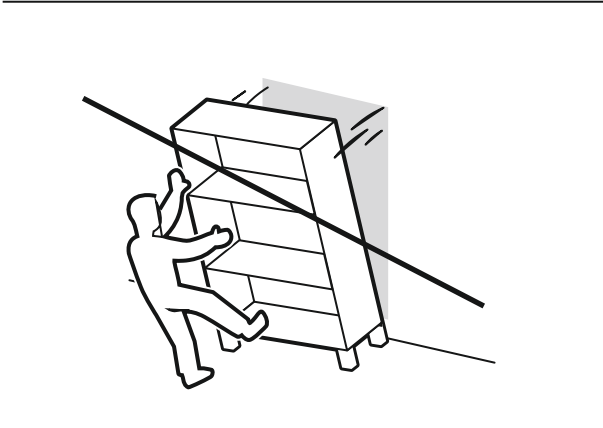
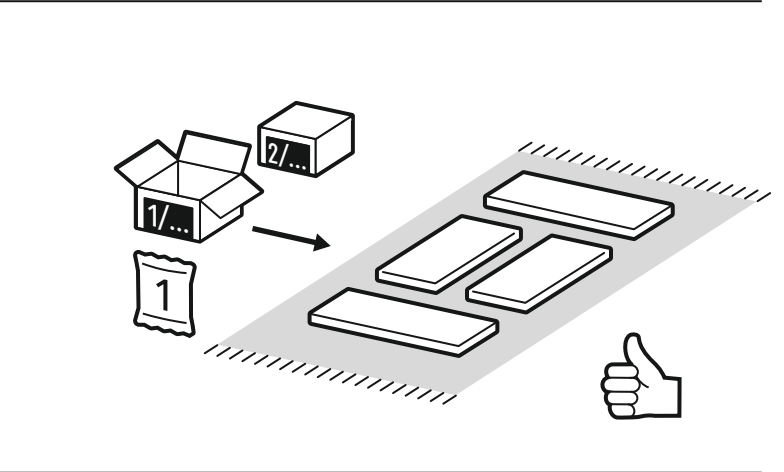
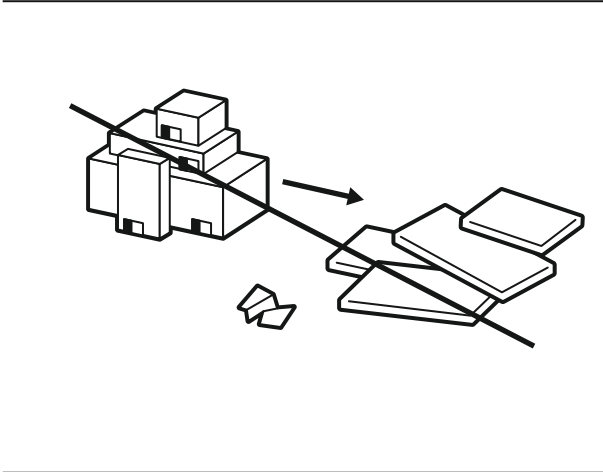
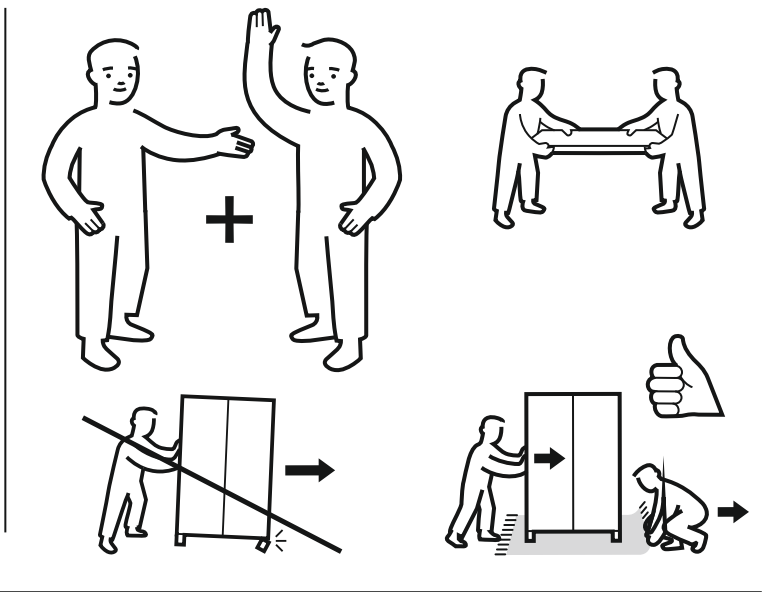
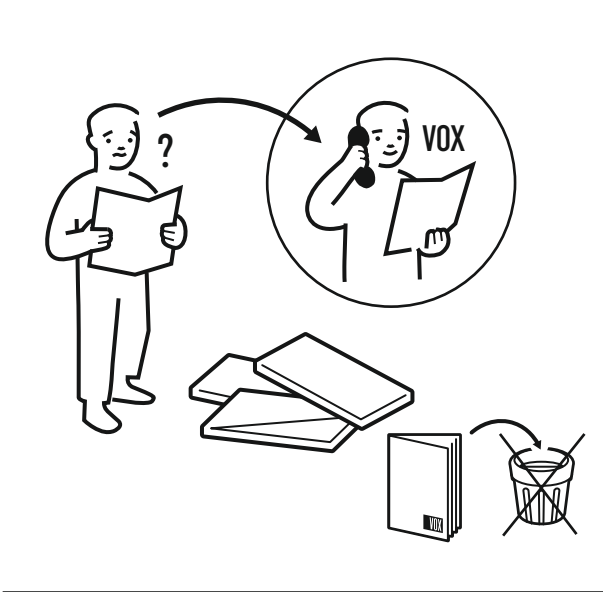
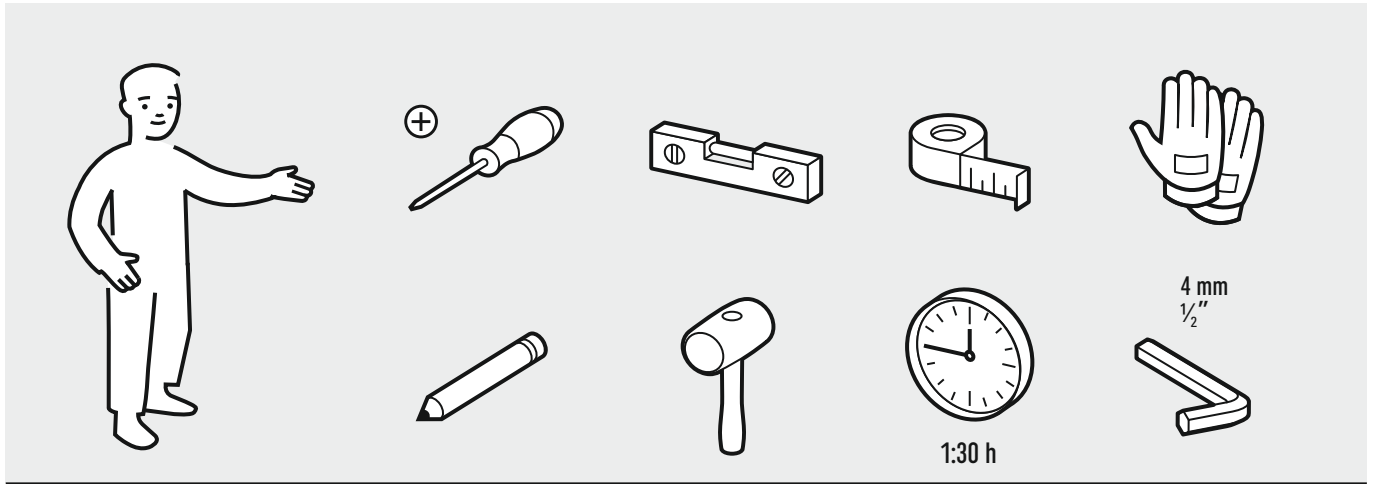
4024246_001

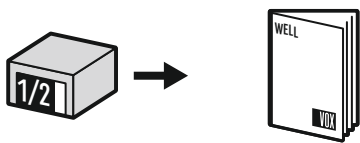
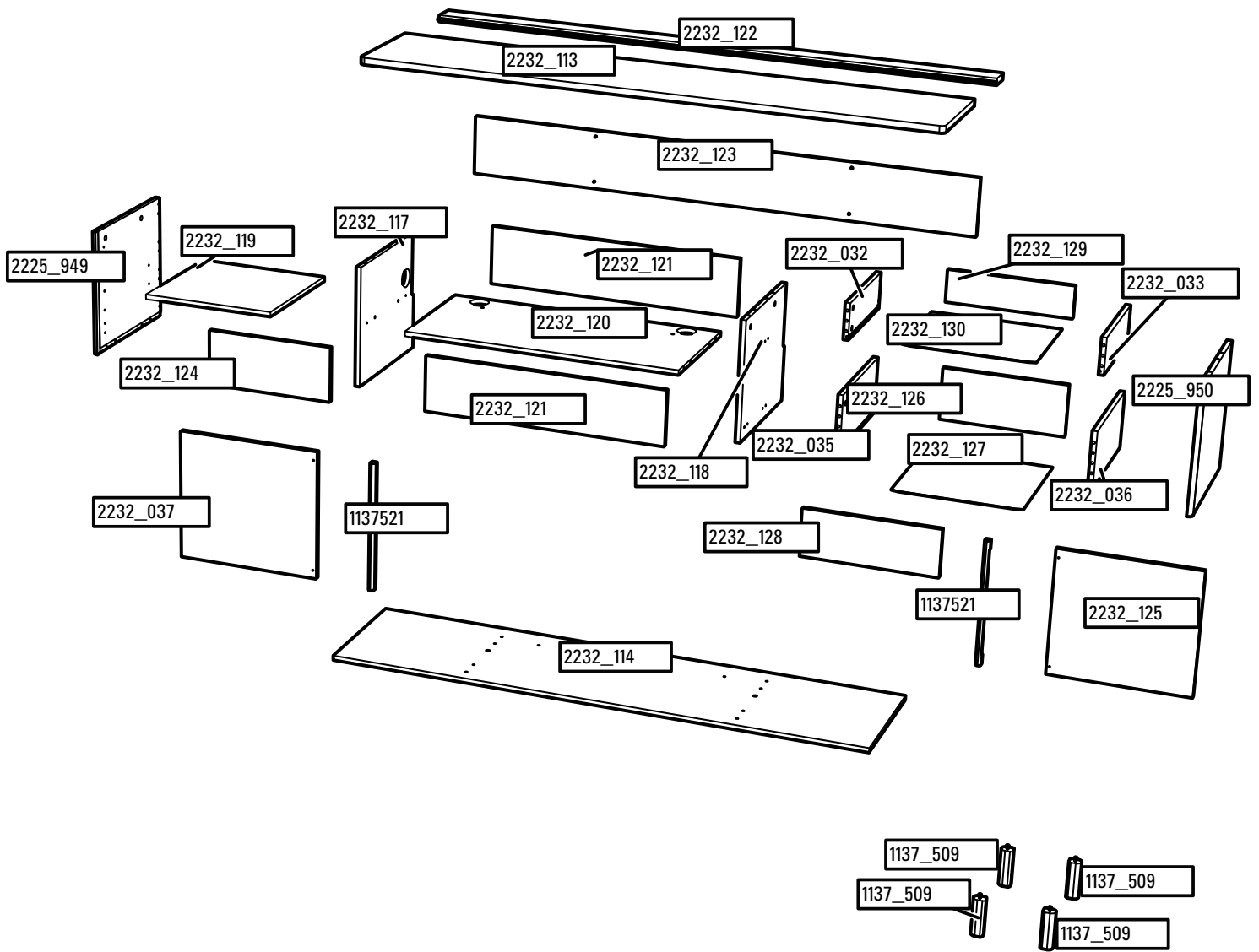


183 x 46 x 56 cm
72 x 18 x 22 1/4"

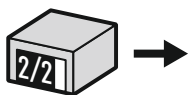


PL • vox.pl
EU • voxfurniture.com
US • voelkelcorp.com

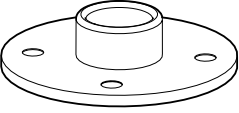
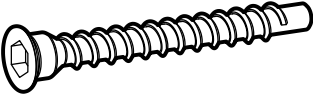
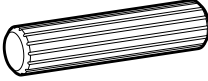


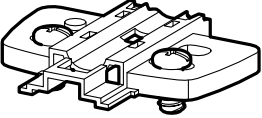

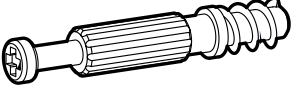
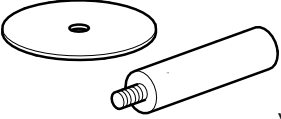
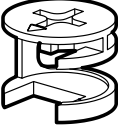

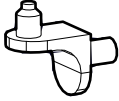
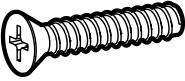
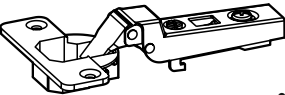
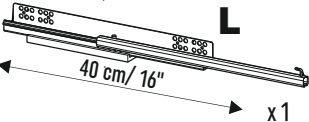
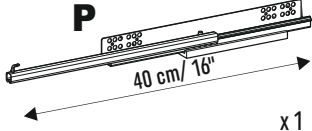
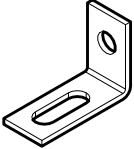

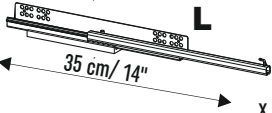
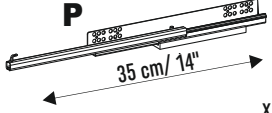

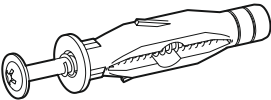



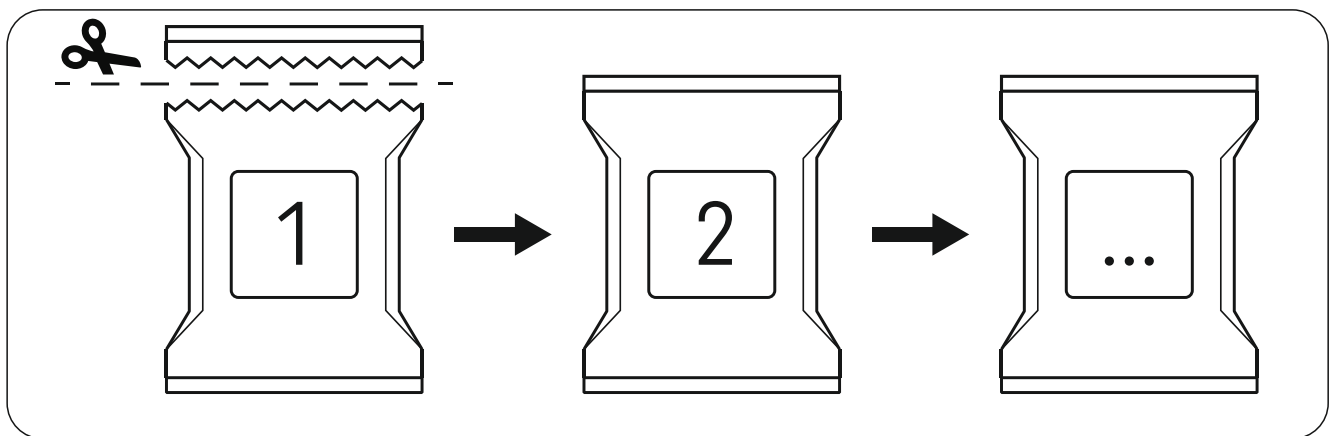


2225_949	x1	2232_118	x1	2232_121	x2	1137_509	x4
2225_950	x1	1137521	x2	2232_130	x1		
2232_125	x1	2232_037	x1	2232_127	x1		
2232_117	x1	2232_128	x1	2232_120	x1		
2232_129	x1	2232_126	x1	2232_119	x1		


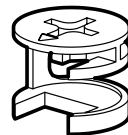
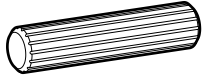


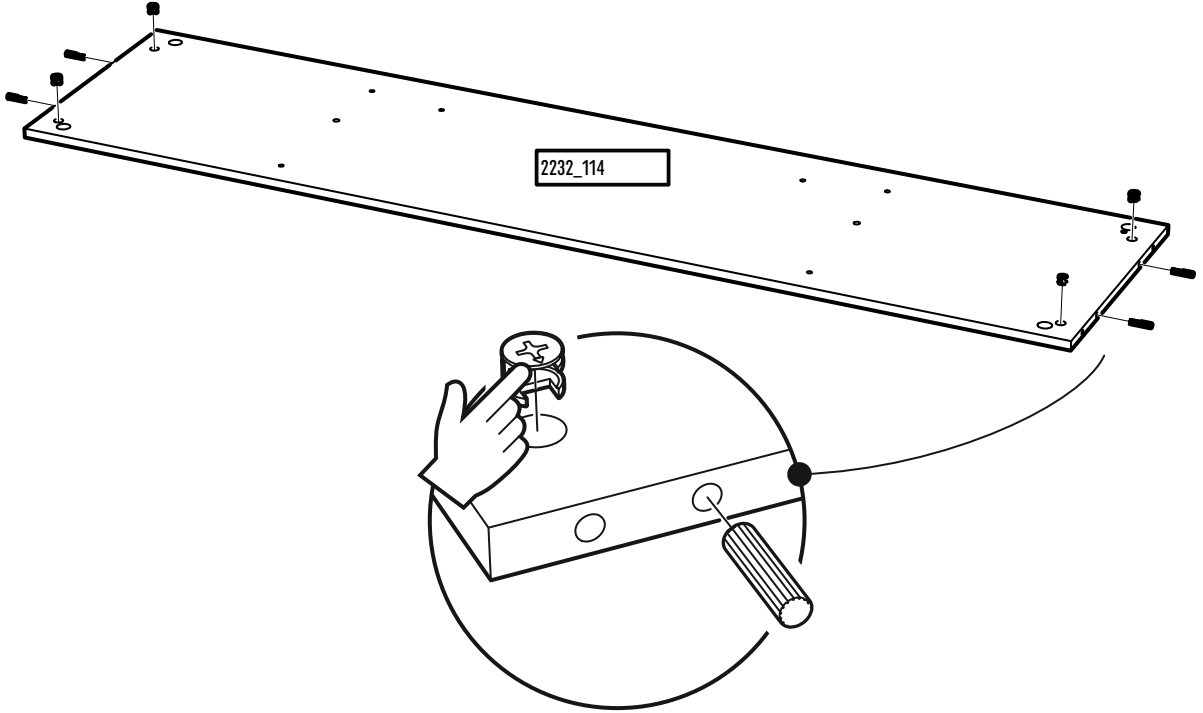
2232_113	x1	2232_032	x1
2232_122	x1	2232_033	x1
2232_114	x1	2232_035	x1
2232_123	x1	2232_036	x1
2232_124	x1		

1101311  x 4	1005876  x 20	1005887  x 34	1120368  x 4
1005681  x 20	1003526  x 2	1137490  x 4	1006091  x 36
1137503  x 2	1005990  x 36	1006012  x 6	1001262  x 4
1005907  x 4	1136238  x 2	1000994  x 1	1000994  x 1
1000692  x 1	1005713  x 16	1000993  x 1	1000993  x 1
1124544  x 1	1126397  x 1	1005680  x 1	


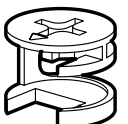


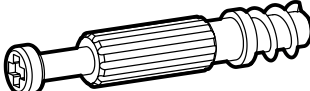
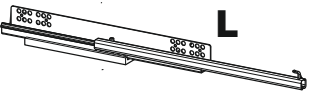
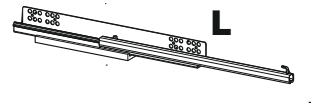


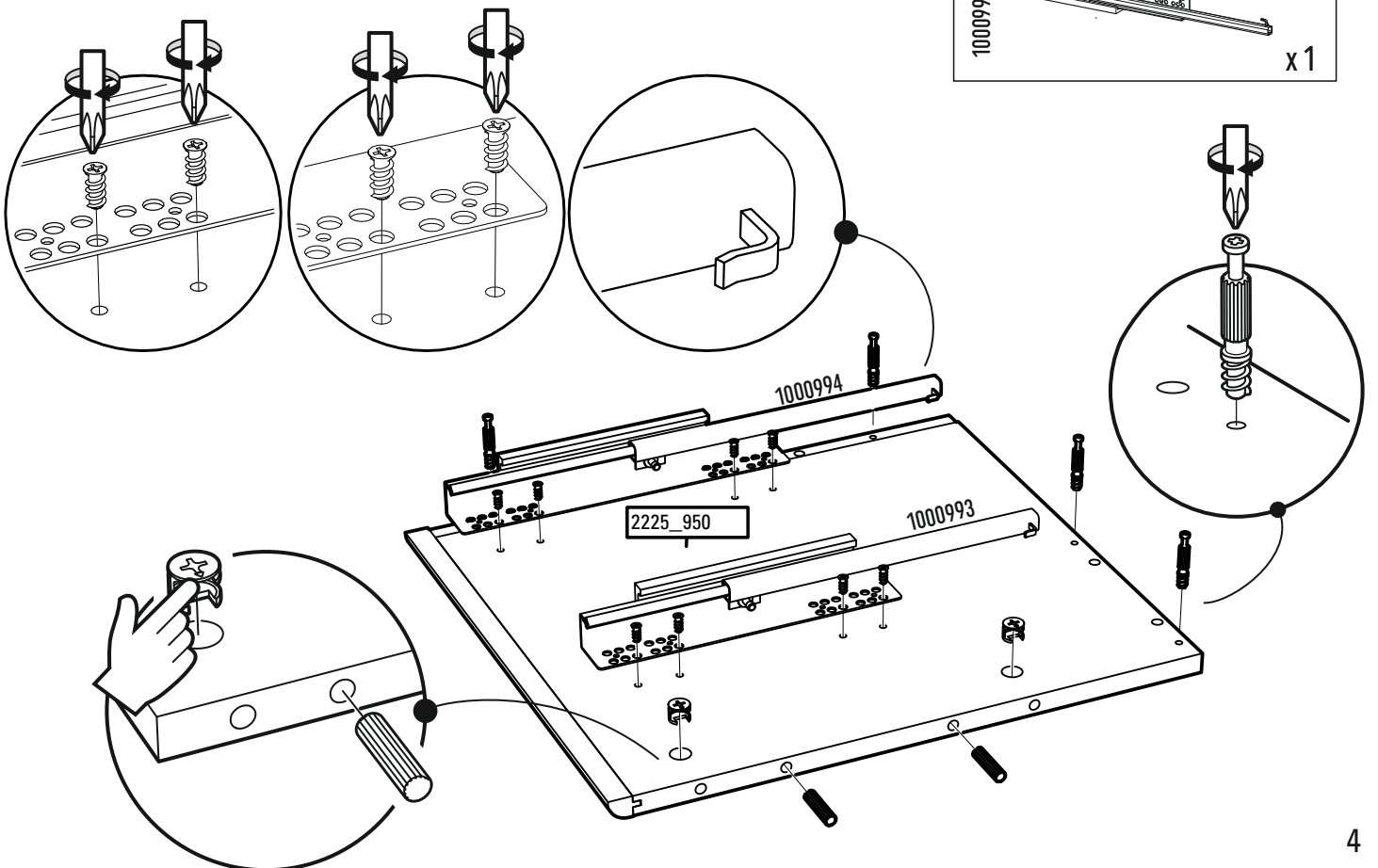
1

 <p>1</p>	<p>1005990</p>	 <p>x 4</p>	<p>1005857</p>	 <p>x 4</p>
---	----------------	---	----------------	---

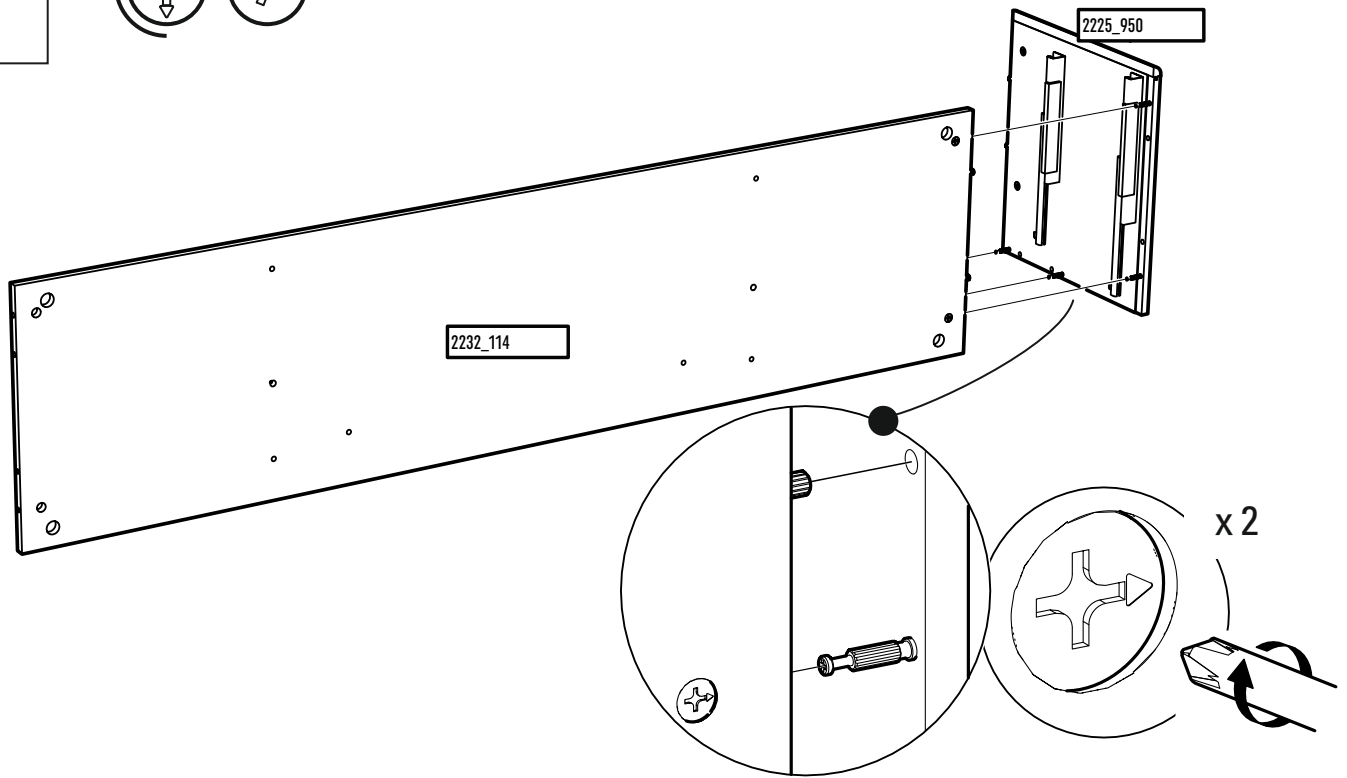
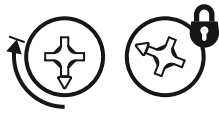


2

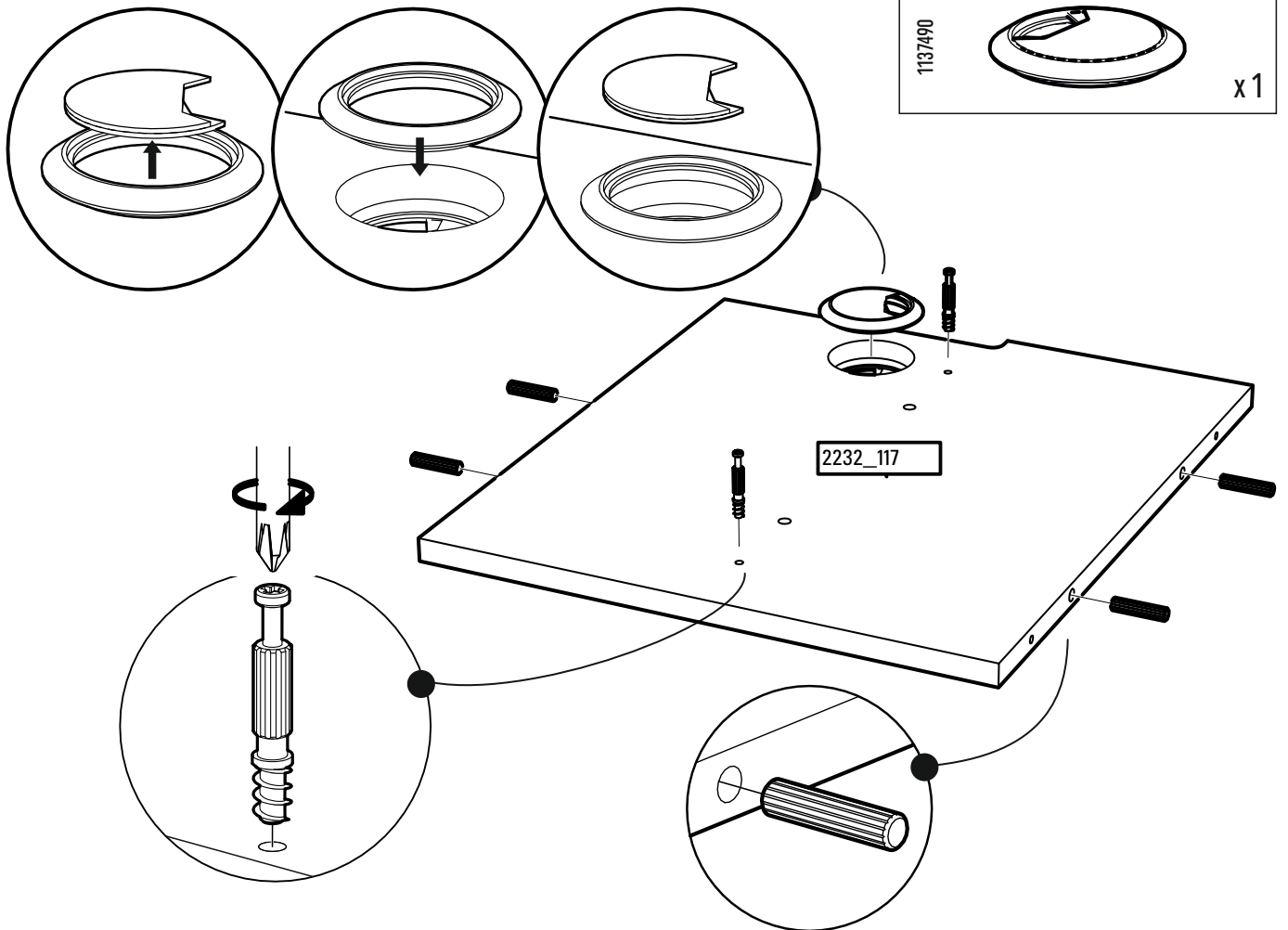
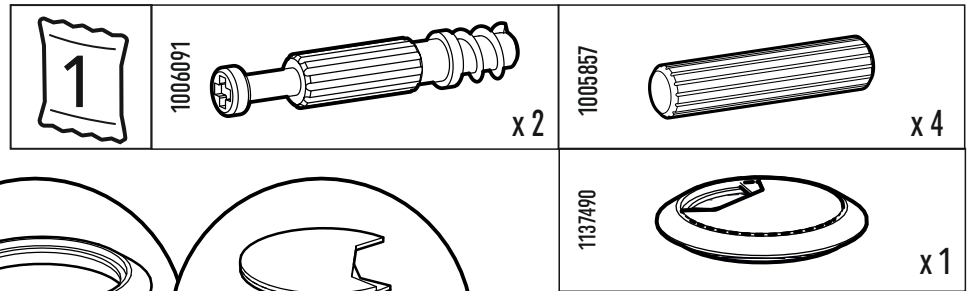
	 <p>1</p>	<p>1005990</p>	 <p>x 2</p>	<p>1005857</p>	 <p>x 2</p>
<p>1005713</p>  <p>x 8</p>		<p>1006091</p>  <p>x 4</p>		<p>1000994</p>  <p>x 1</p>	
				<p>1000993</p>  <p>x 1</p>	



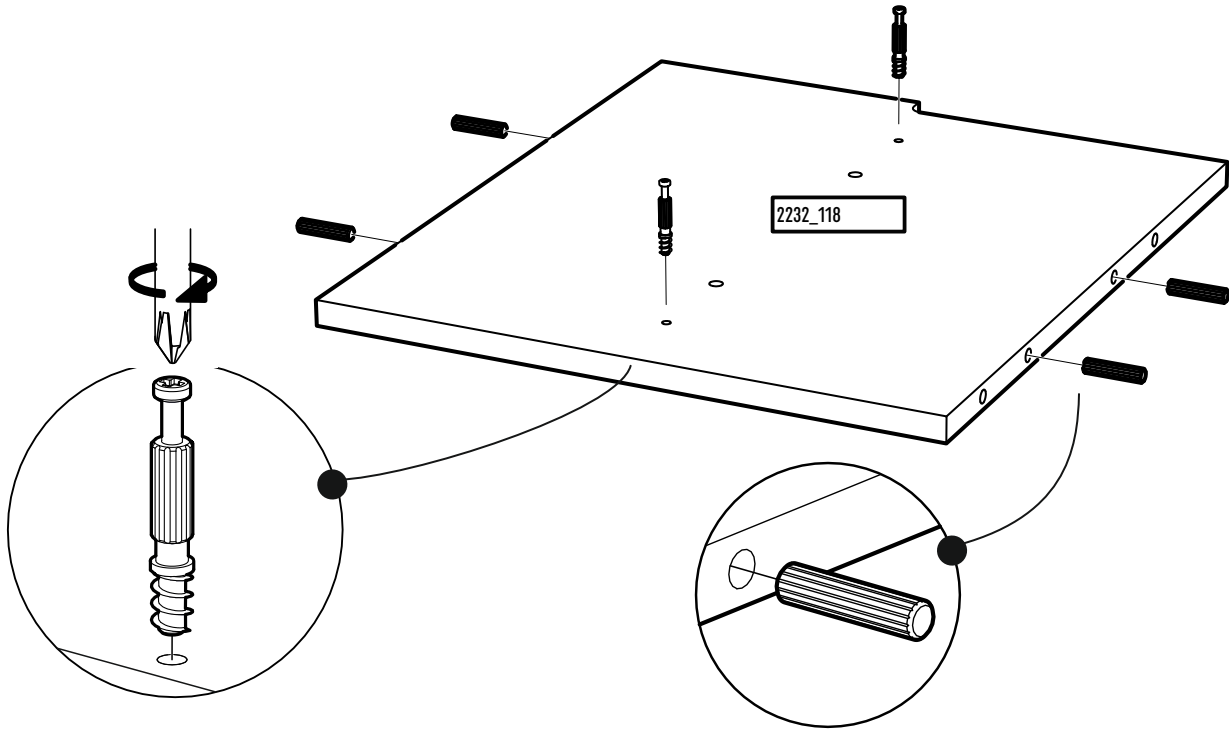
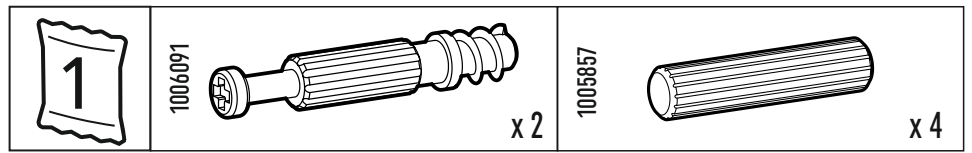
3



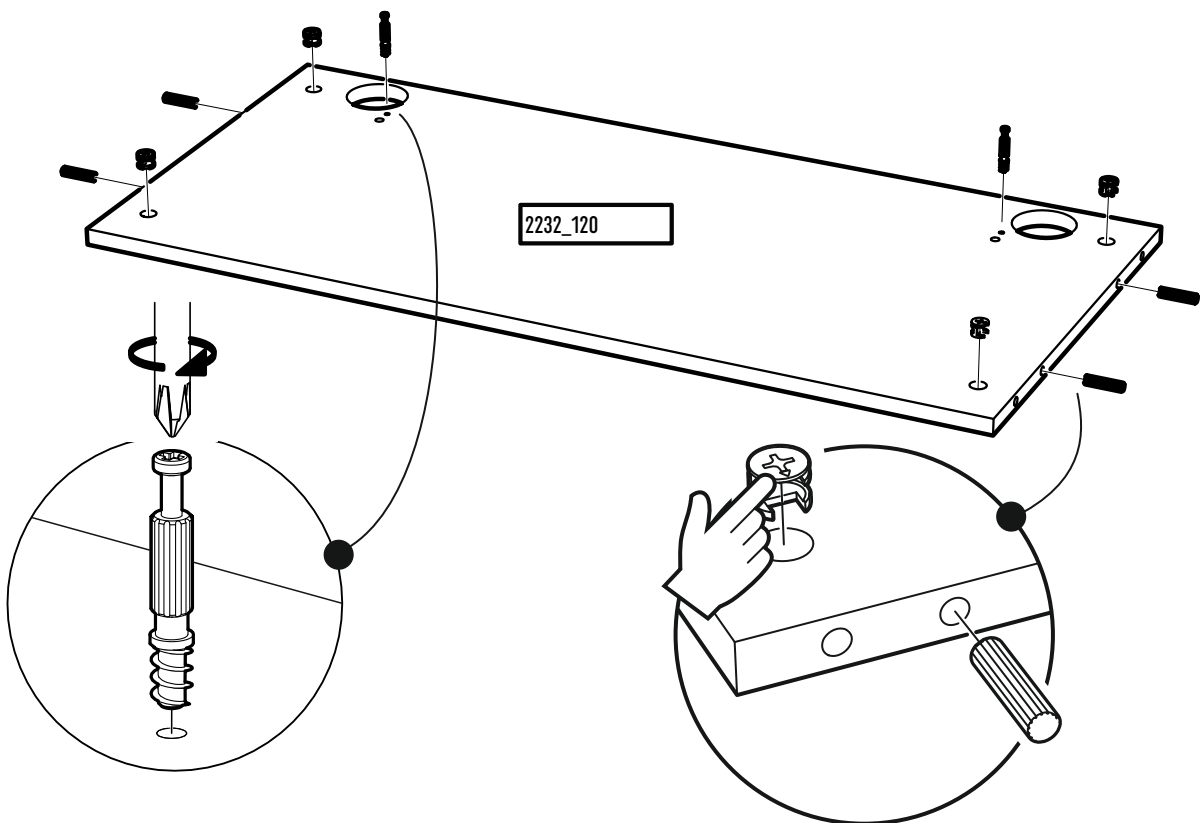
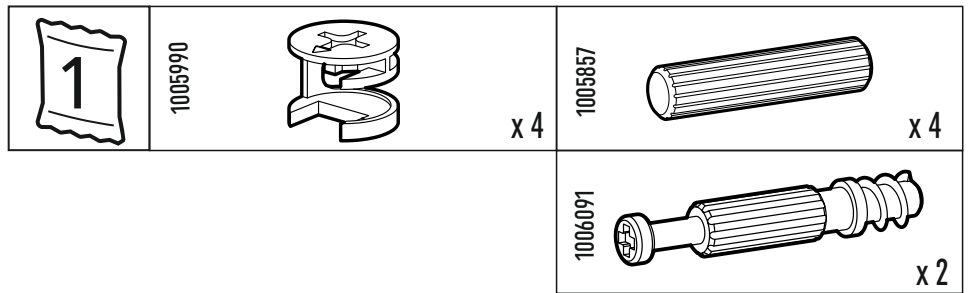
4



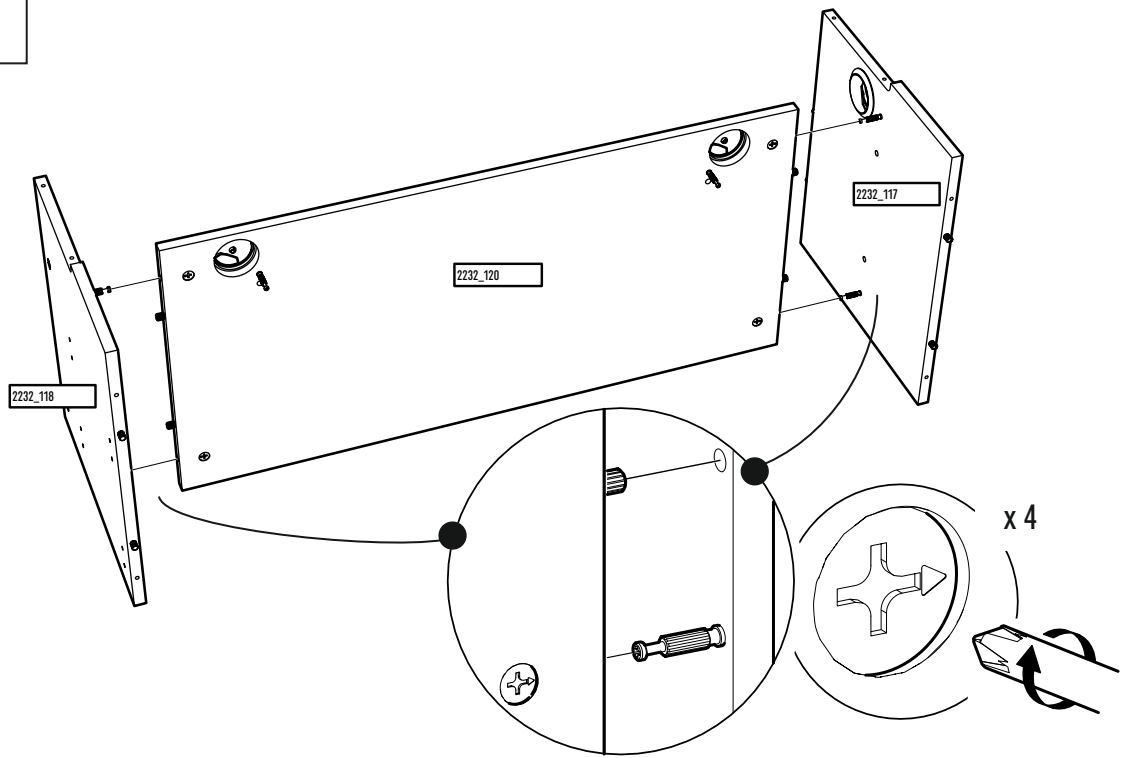
5



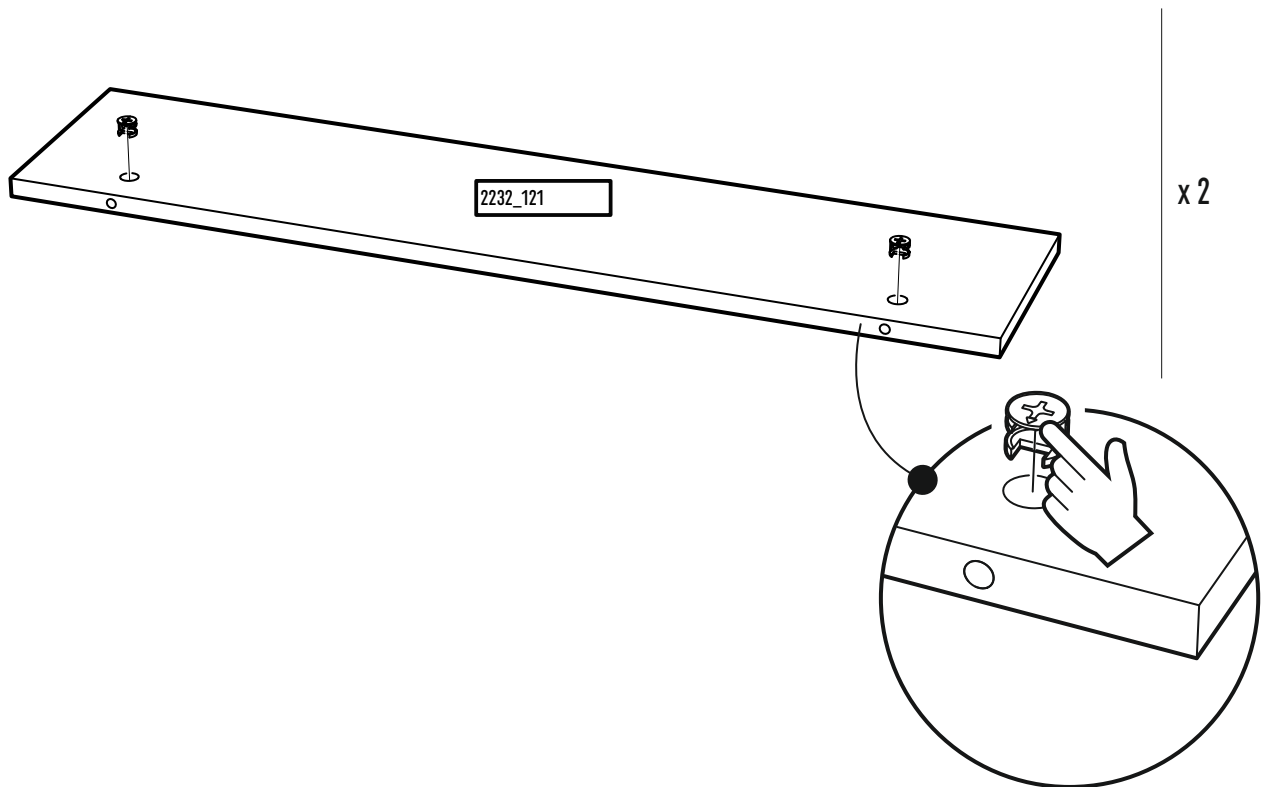
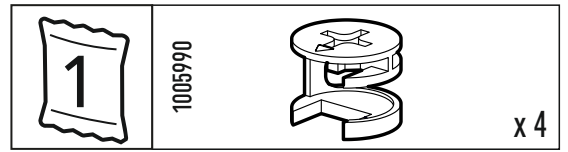
6



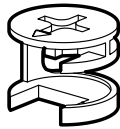

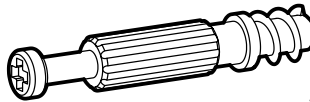
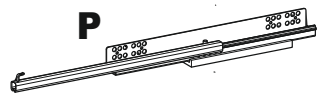
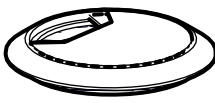
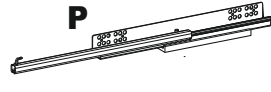
7

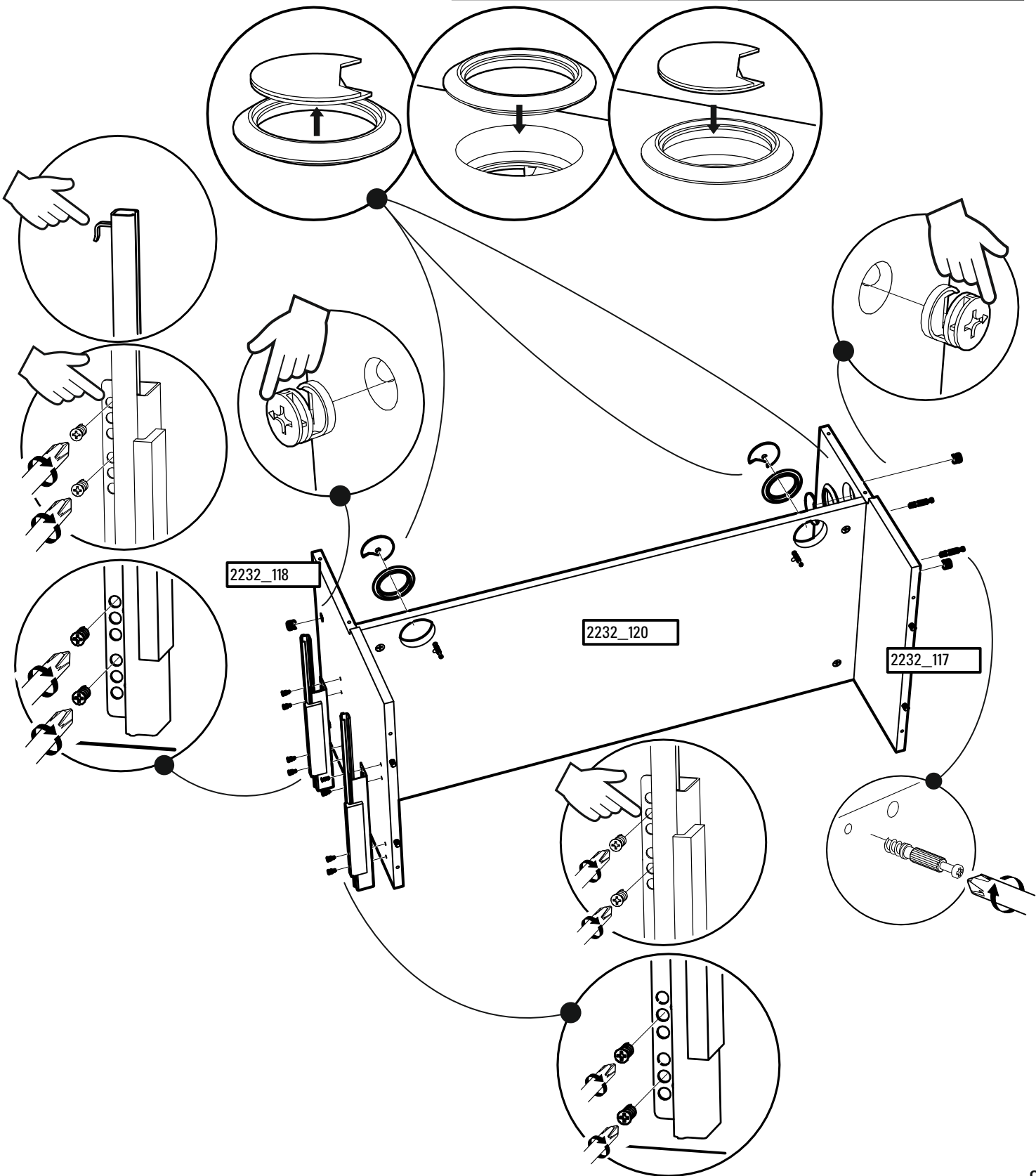


8

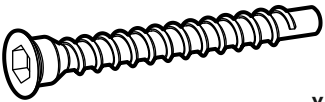


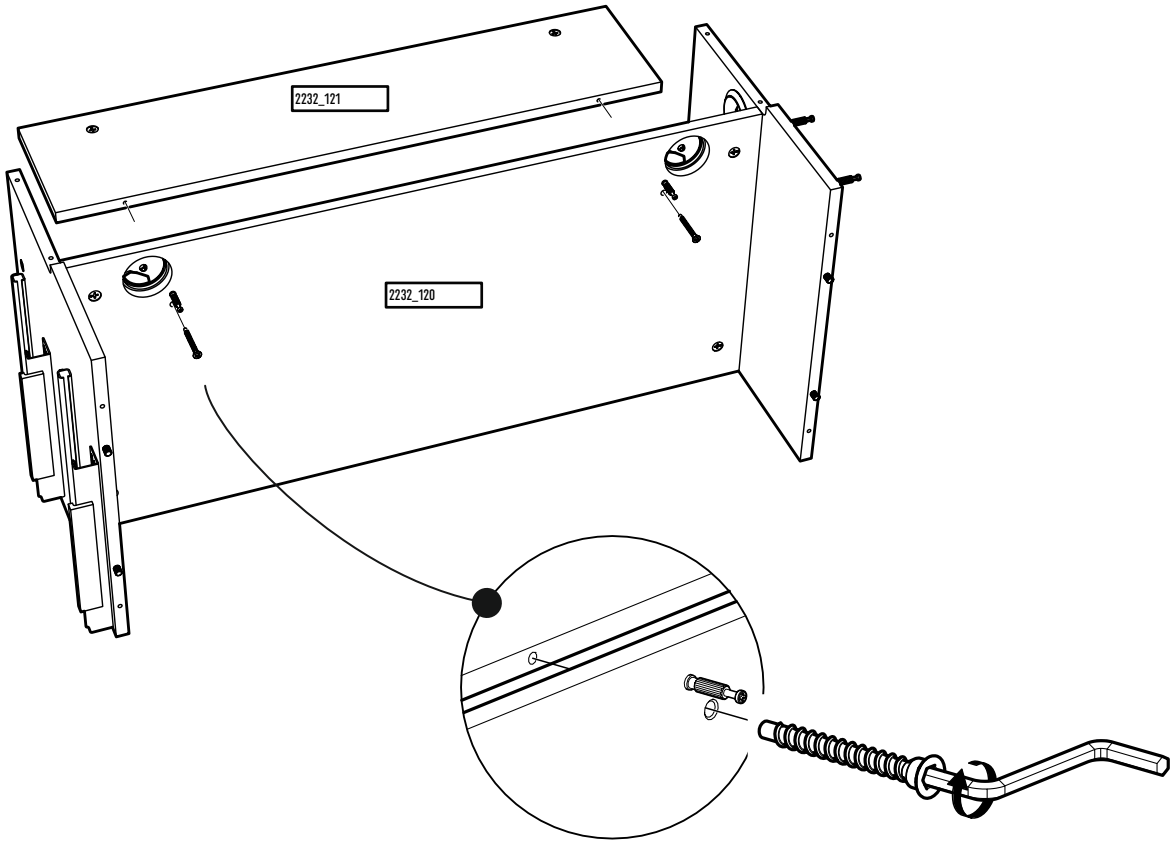
9

1	1005990  x 4	1005713  x 8
	1006091  x 2	1000994 P  x 1
	1137490  x 3	1000993 P  x 1

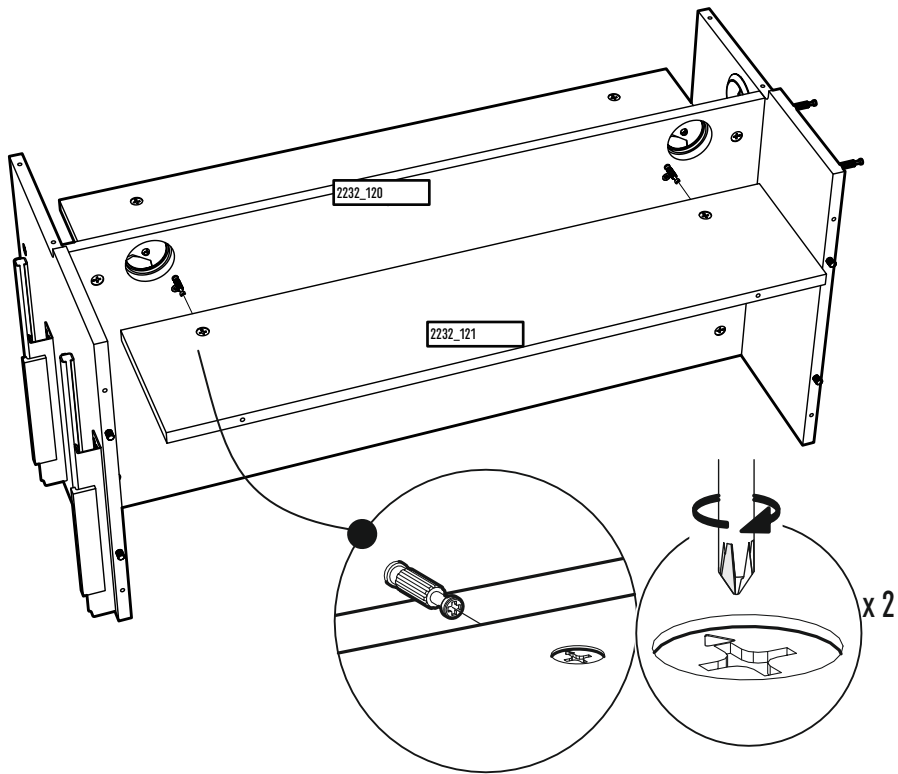


10

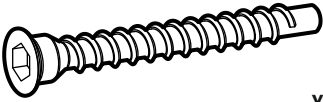
2	1005876  x 2
---	--

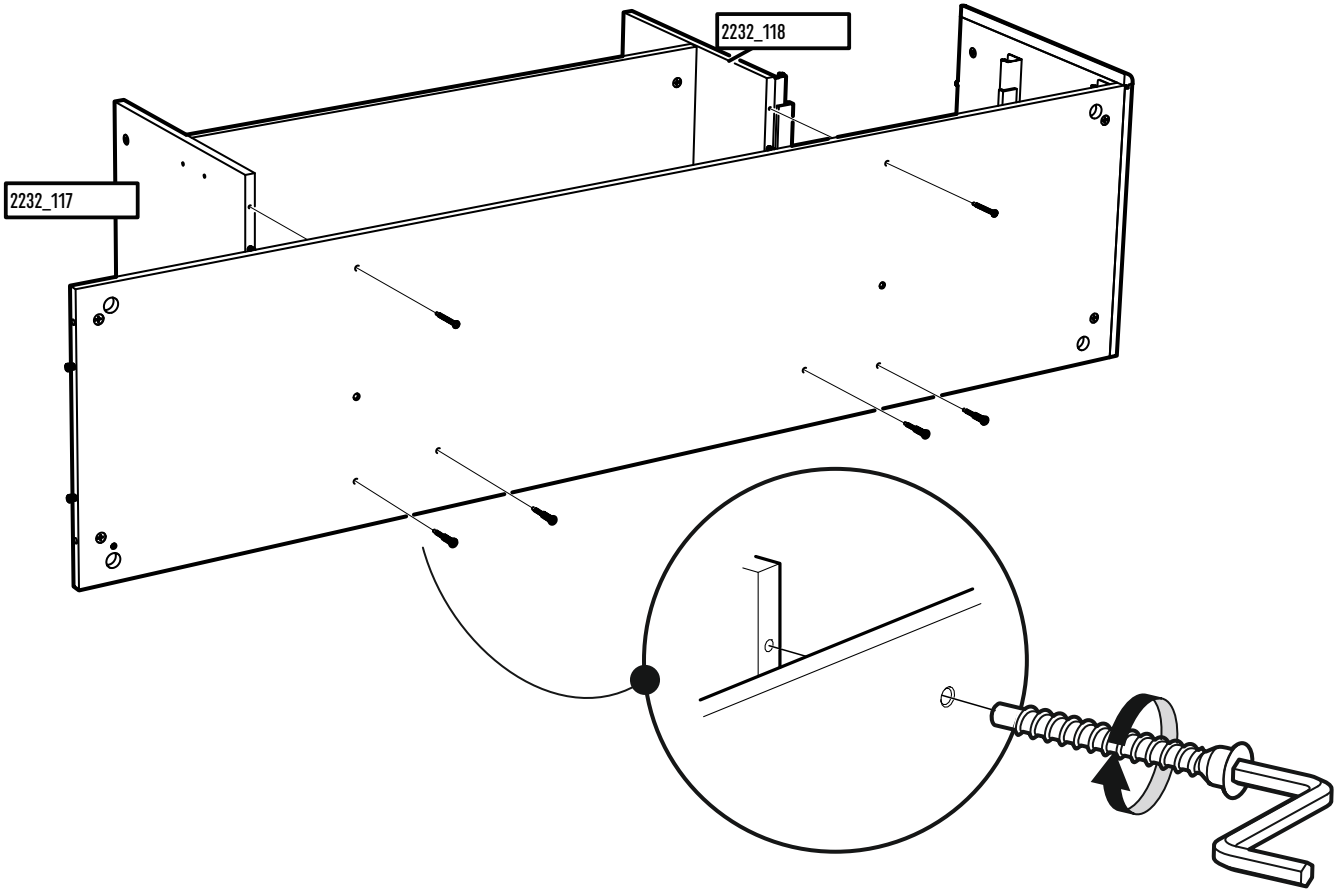


11

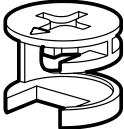
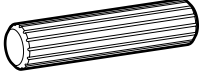


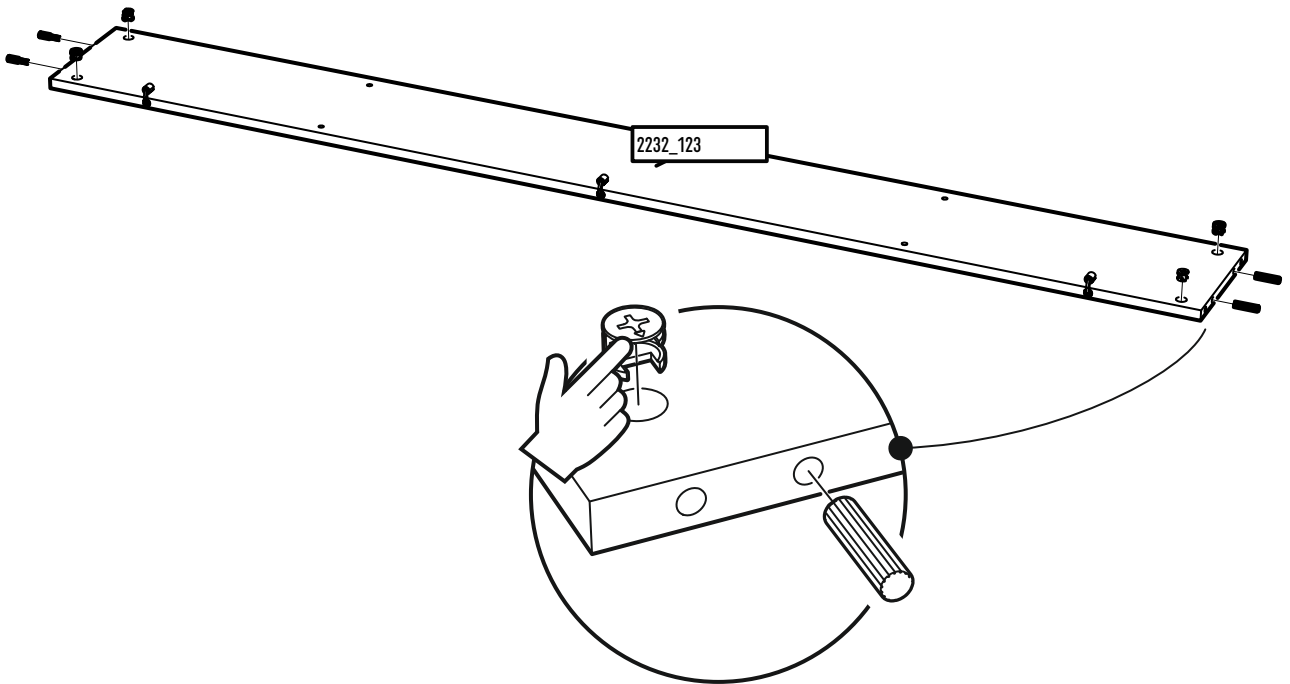
12

2	1005876		x 6
---	---------	--	-----

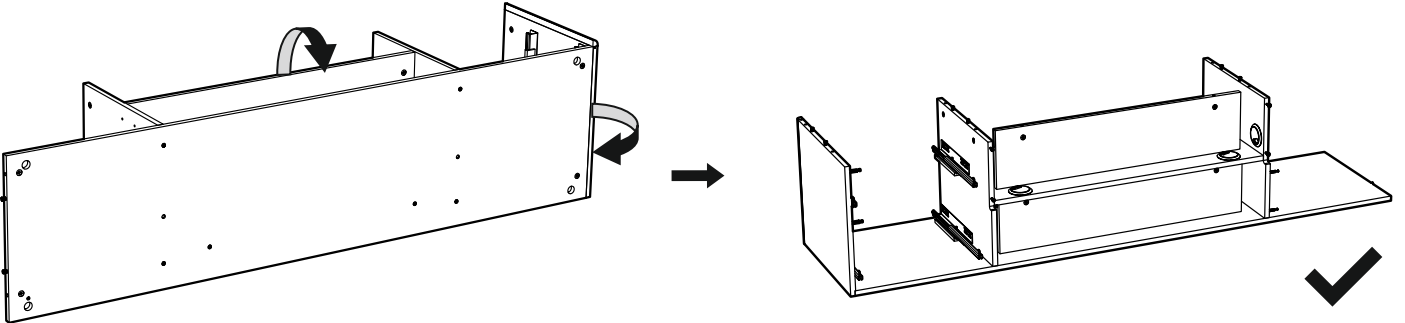


13

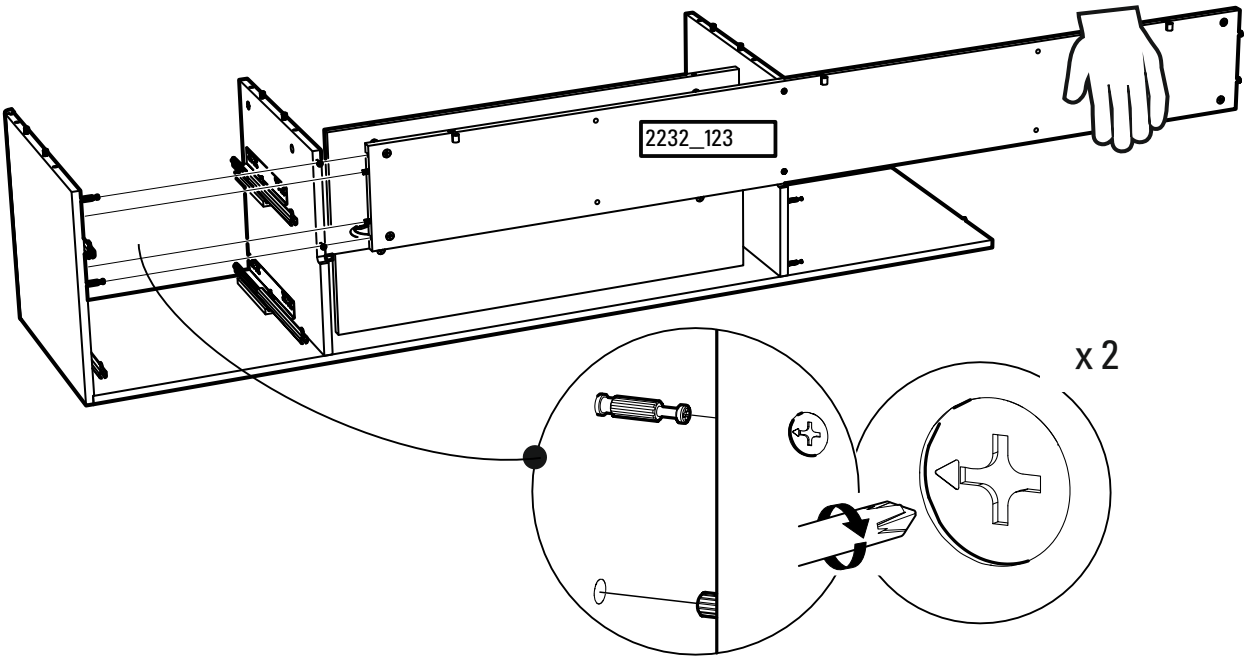
2	1005990		x 4	1005857		x 4
---	---------	---	-----	---------	---	-----



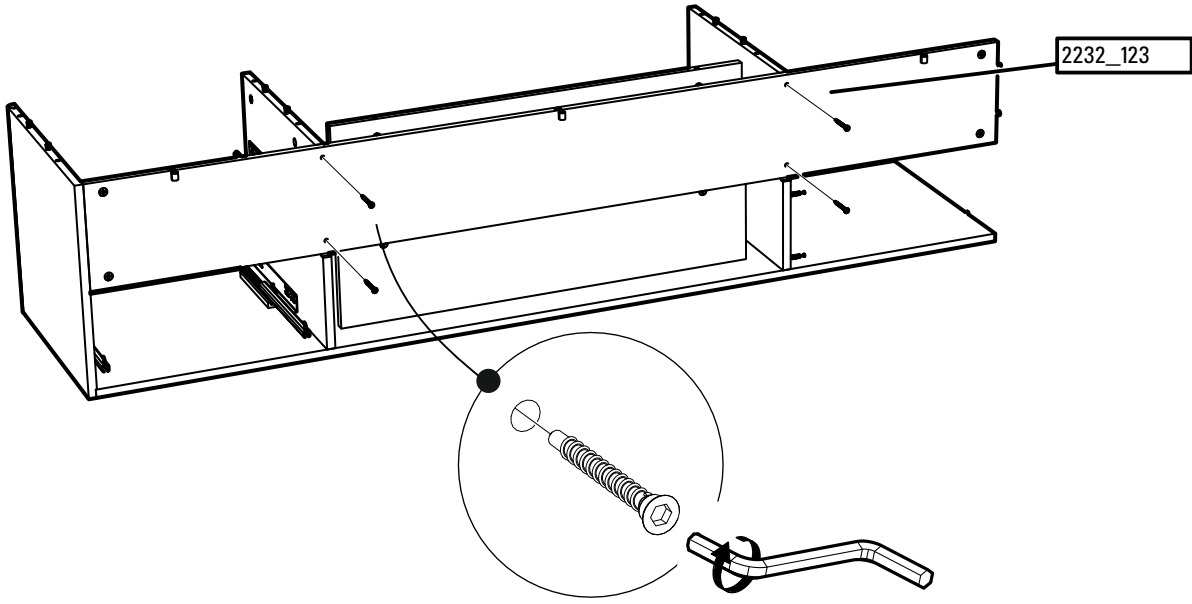
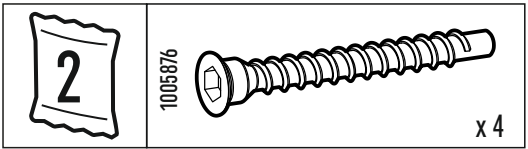
14



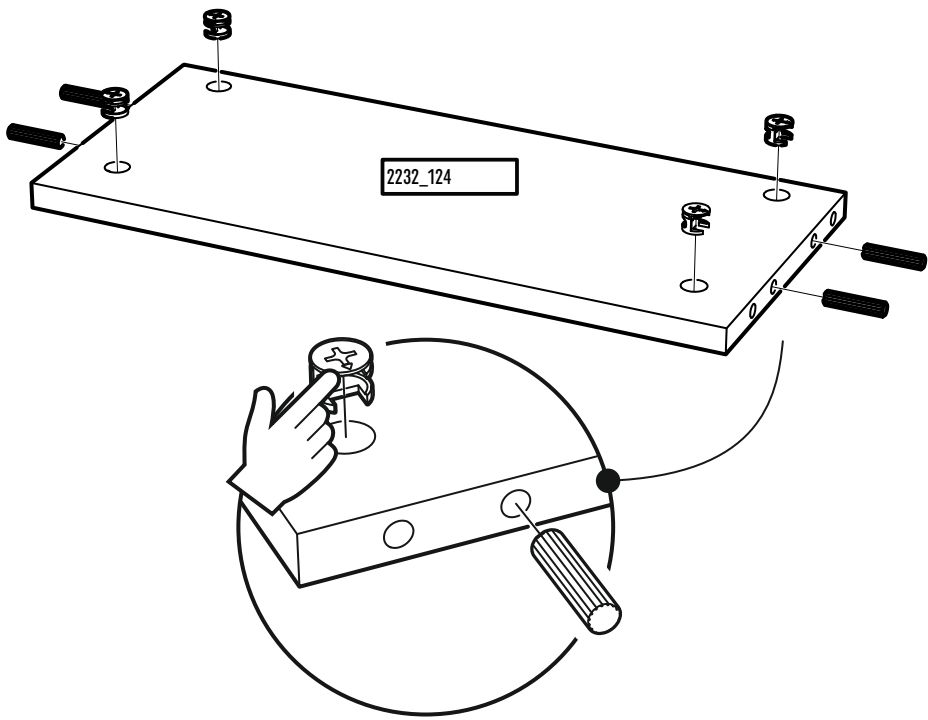
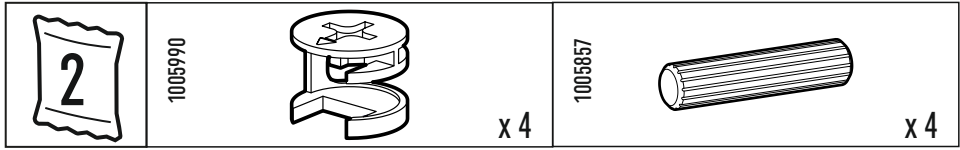
15



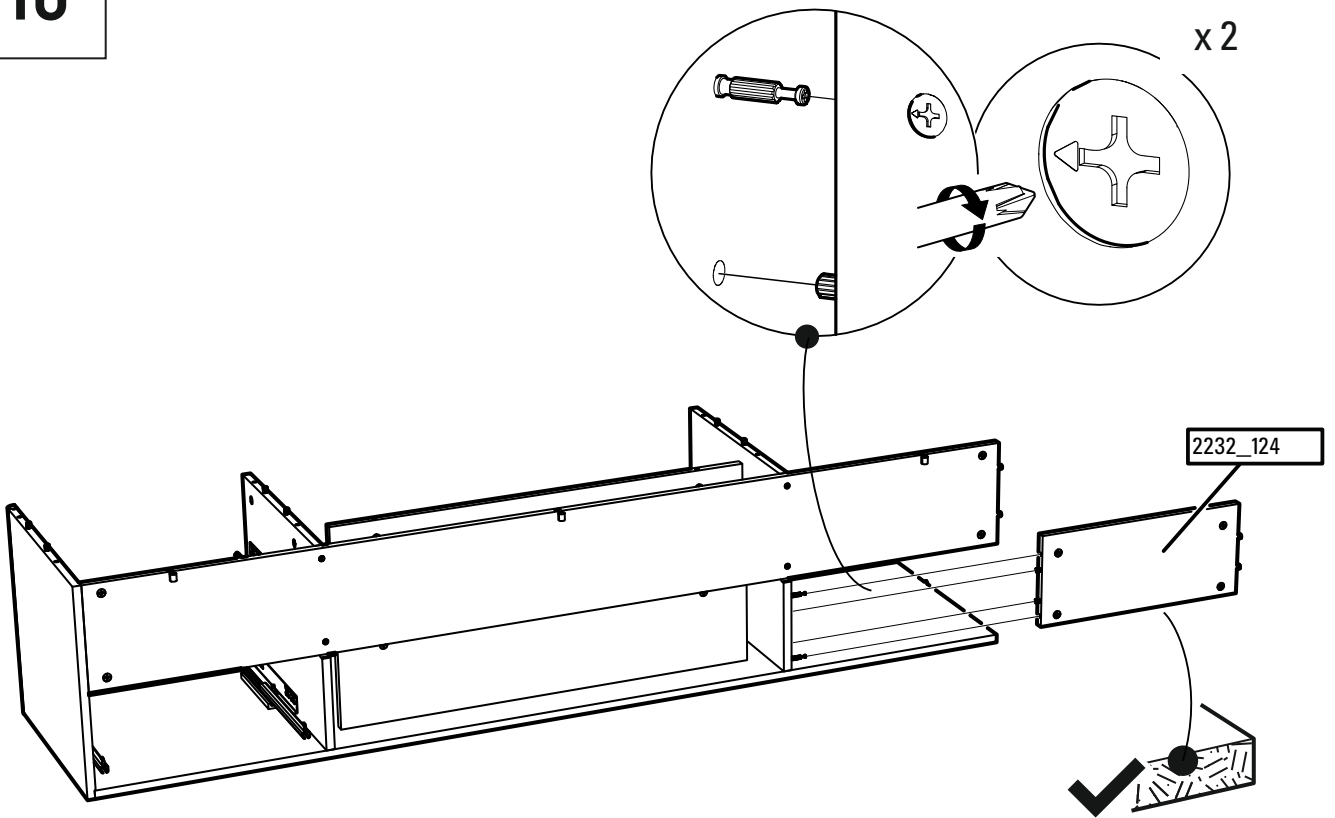
16





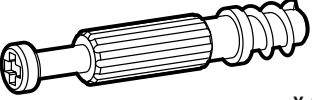
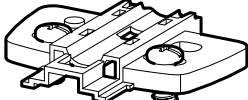
17

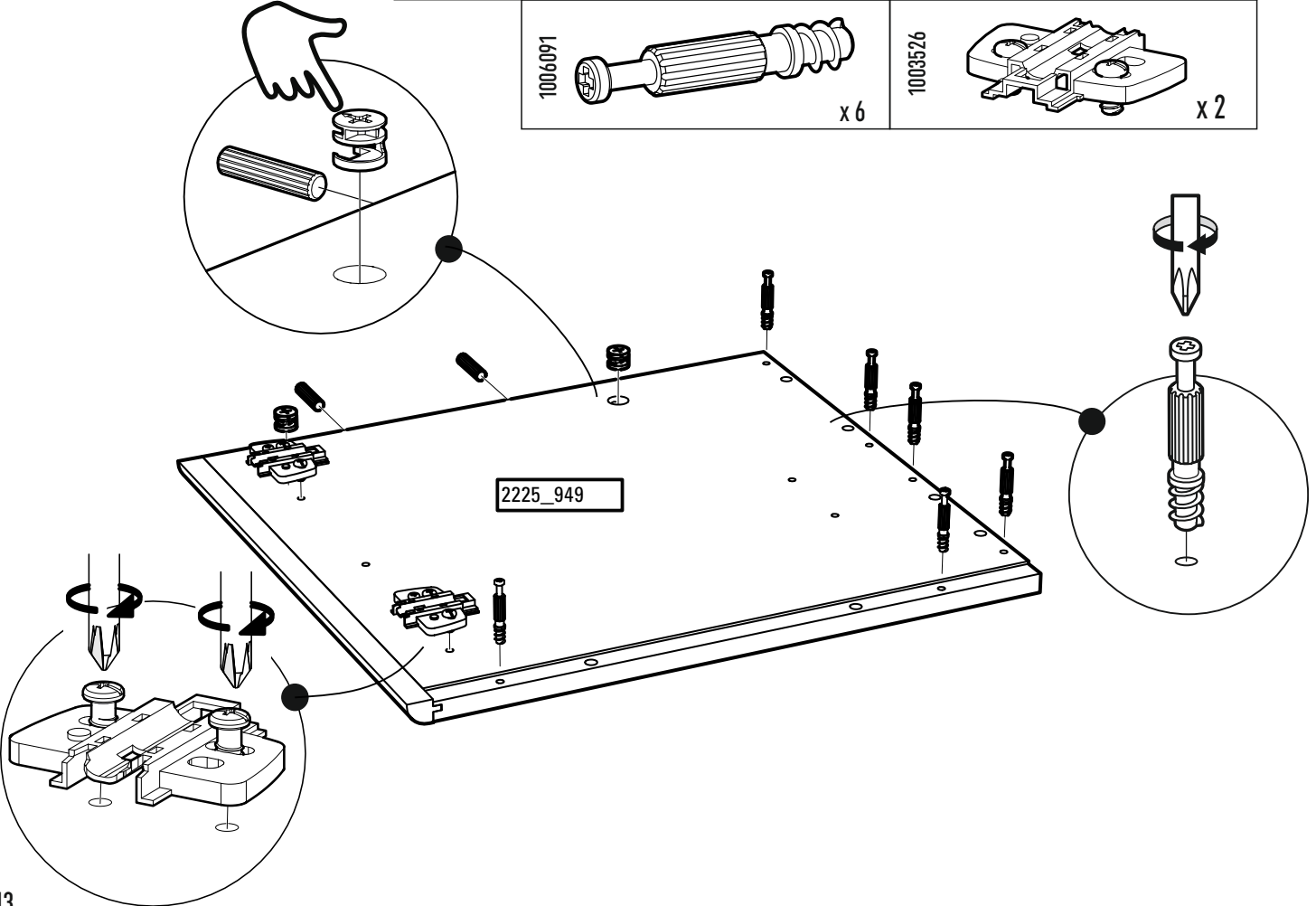


18

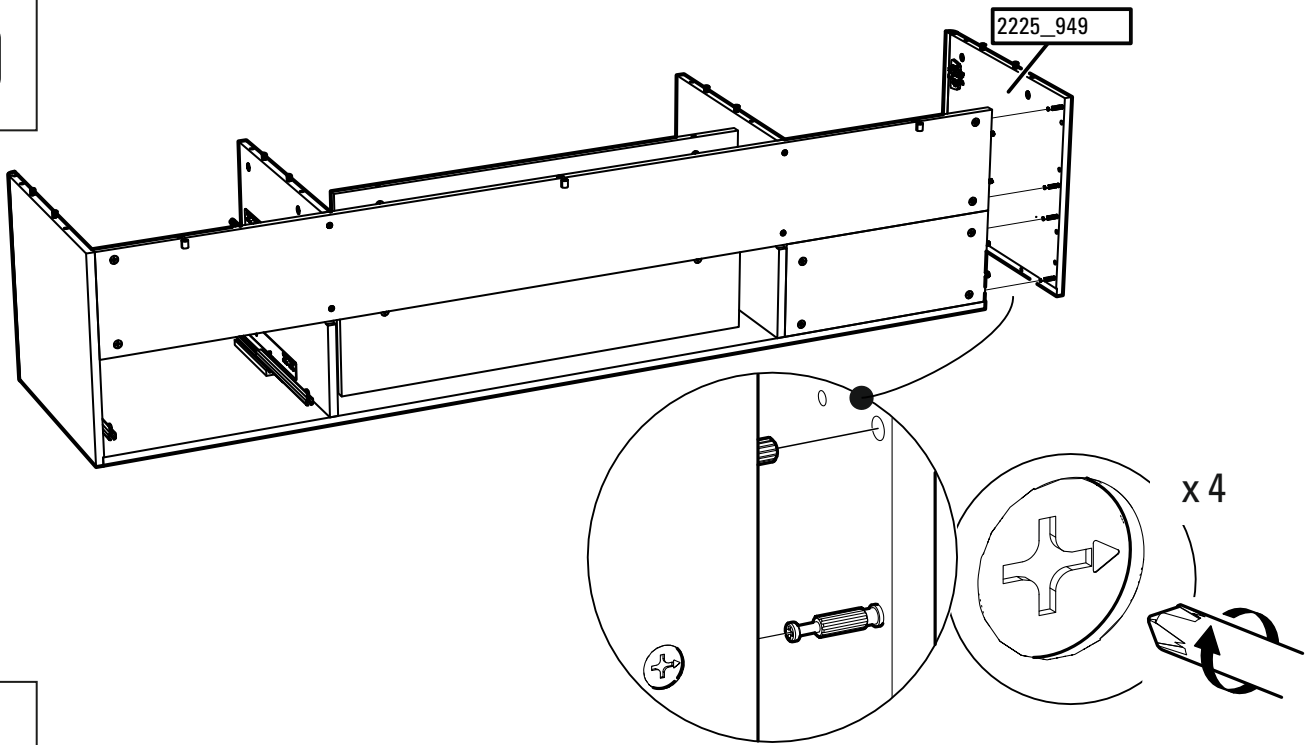


19

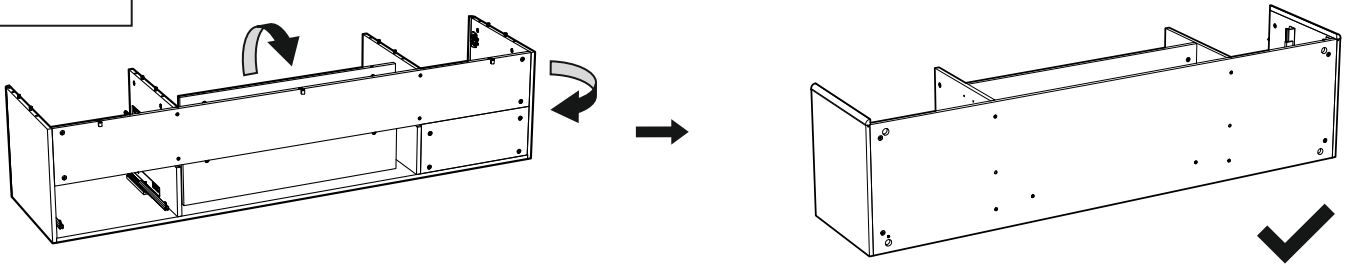
2	1005990  x 2	1005857  x 2
	1006091  x 6	1003526  x 2



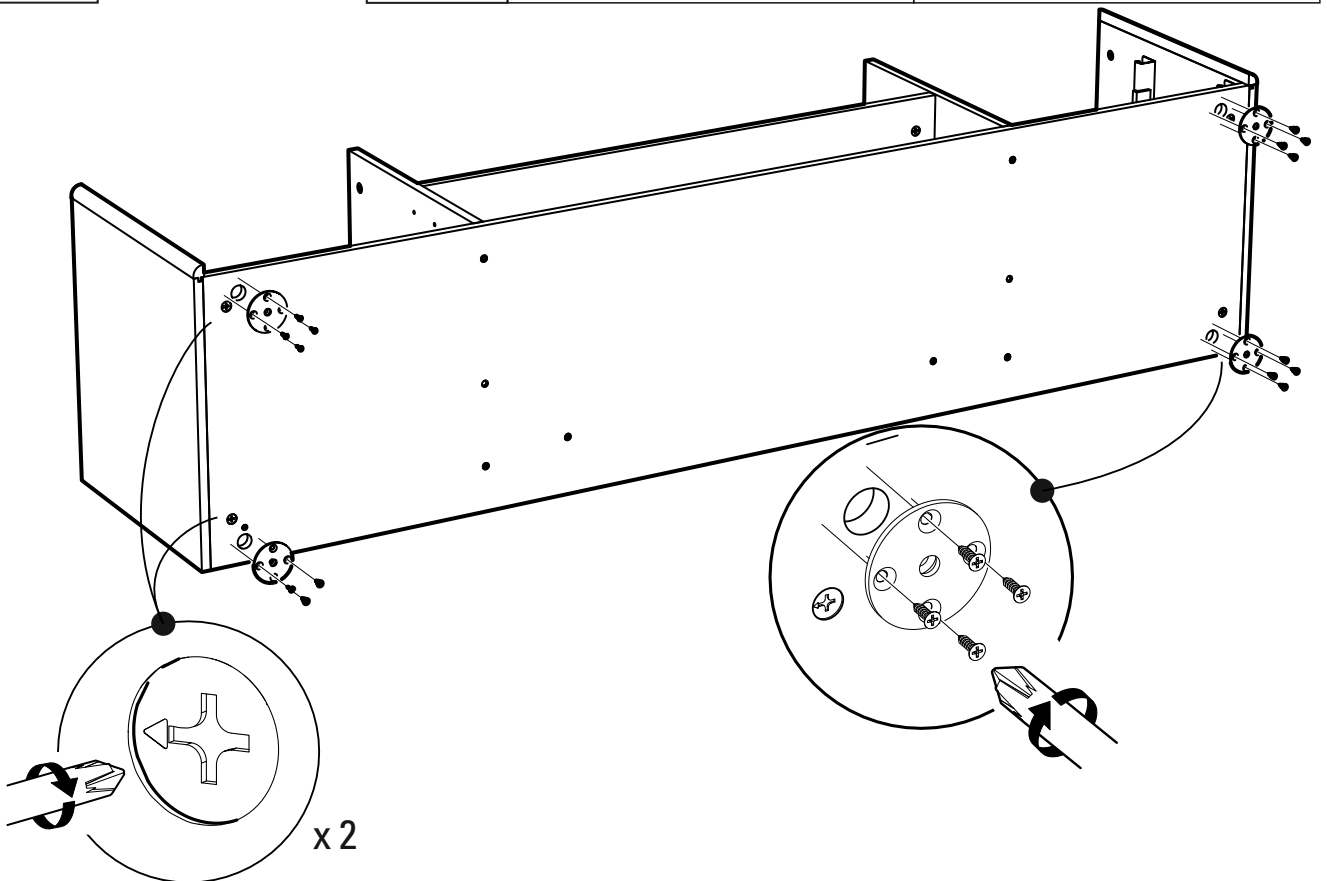
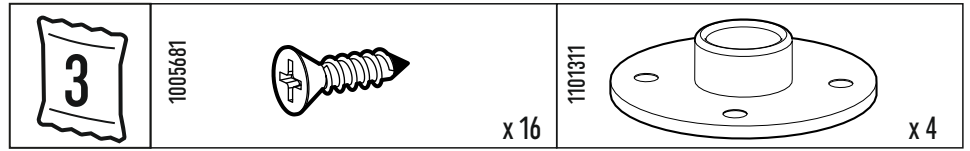
20



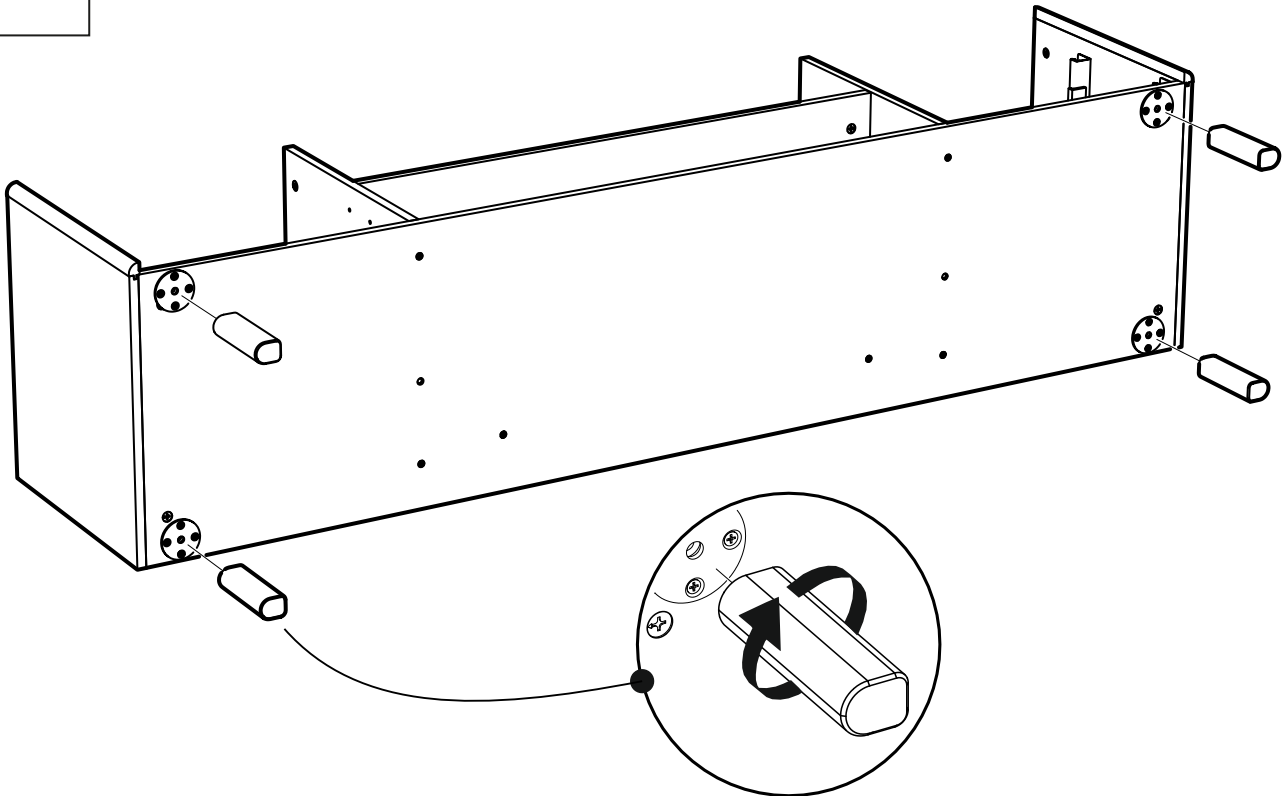
21



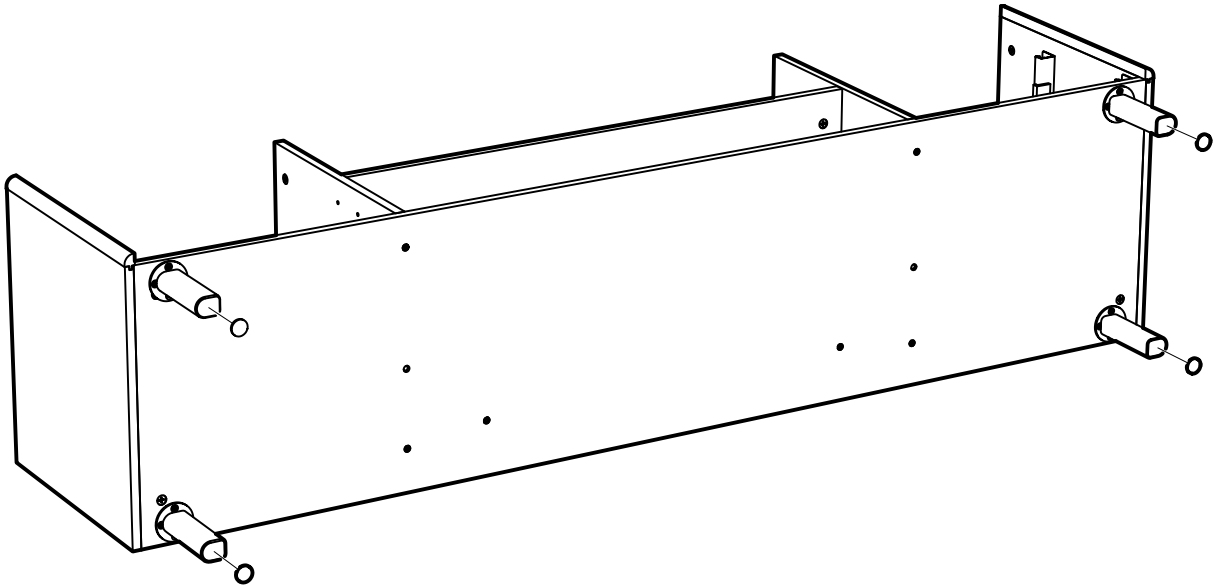
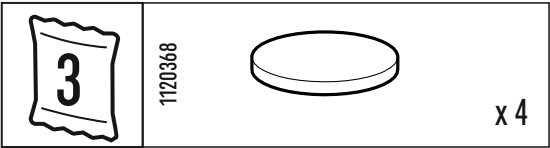
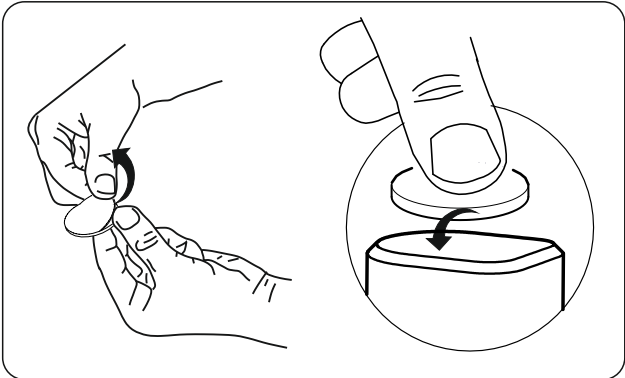
22



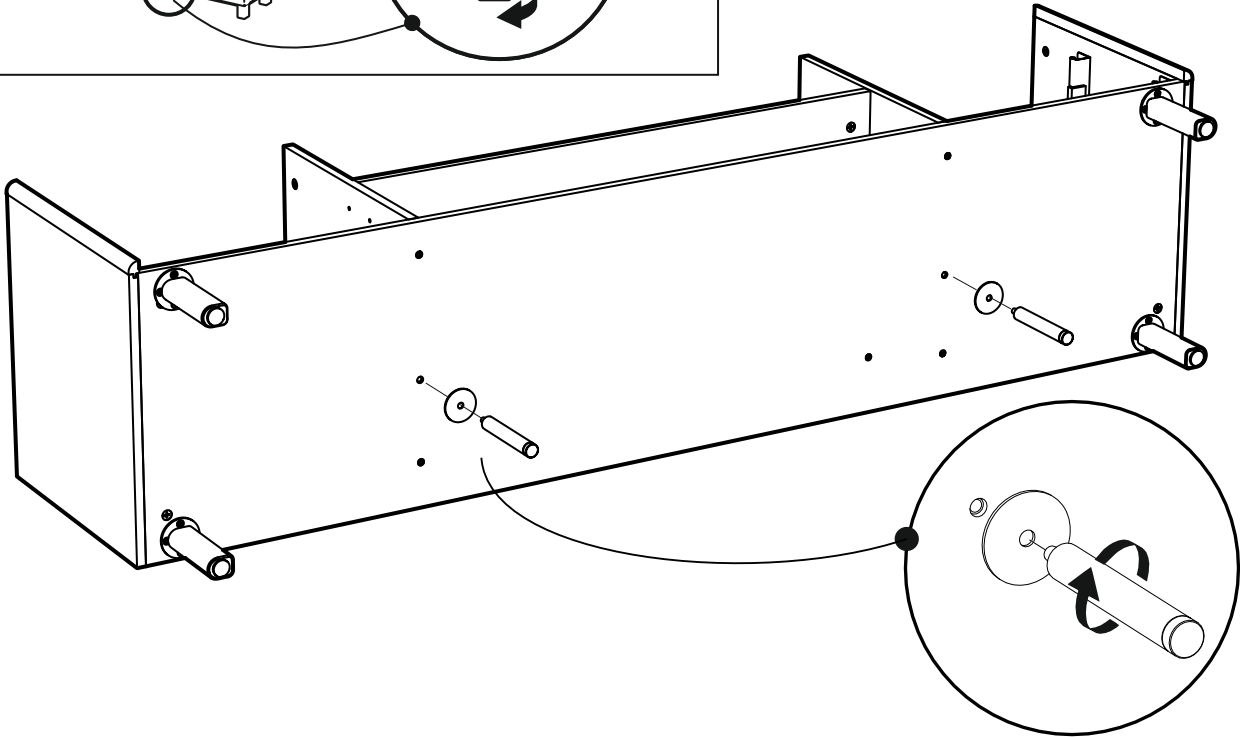
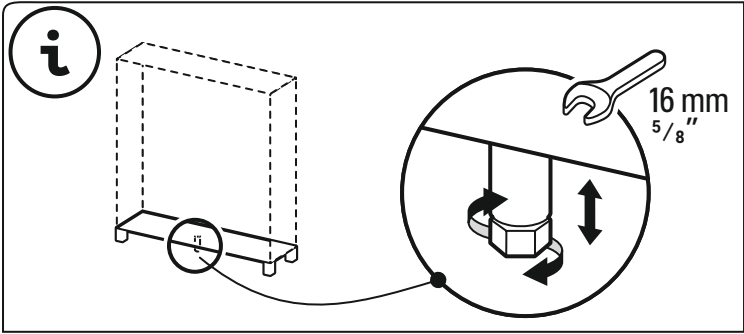
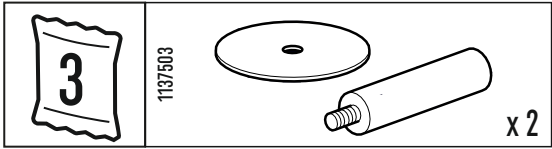
23



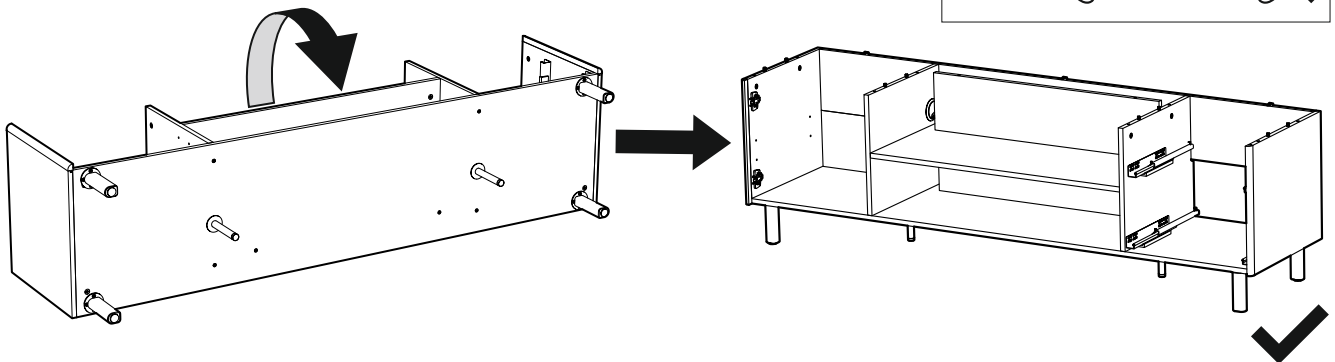
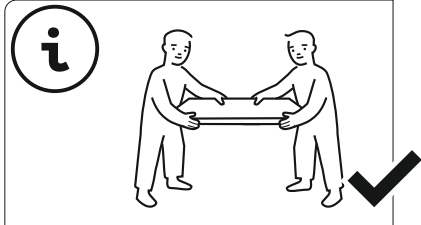
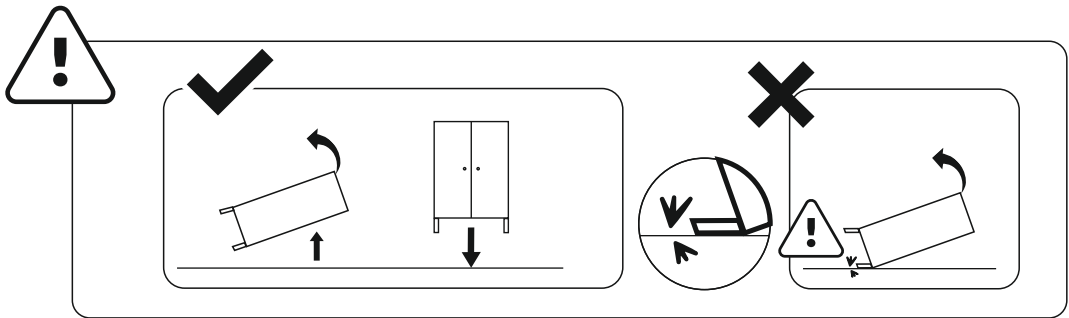
24



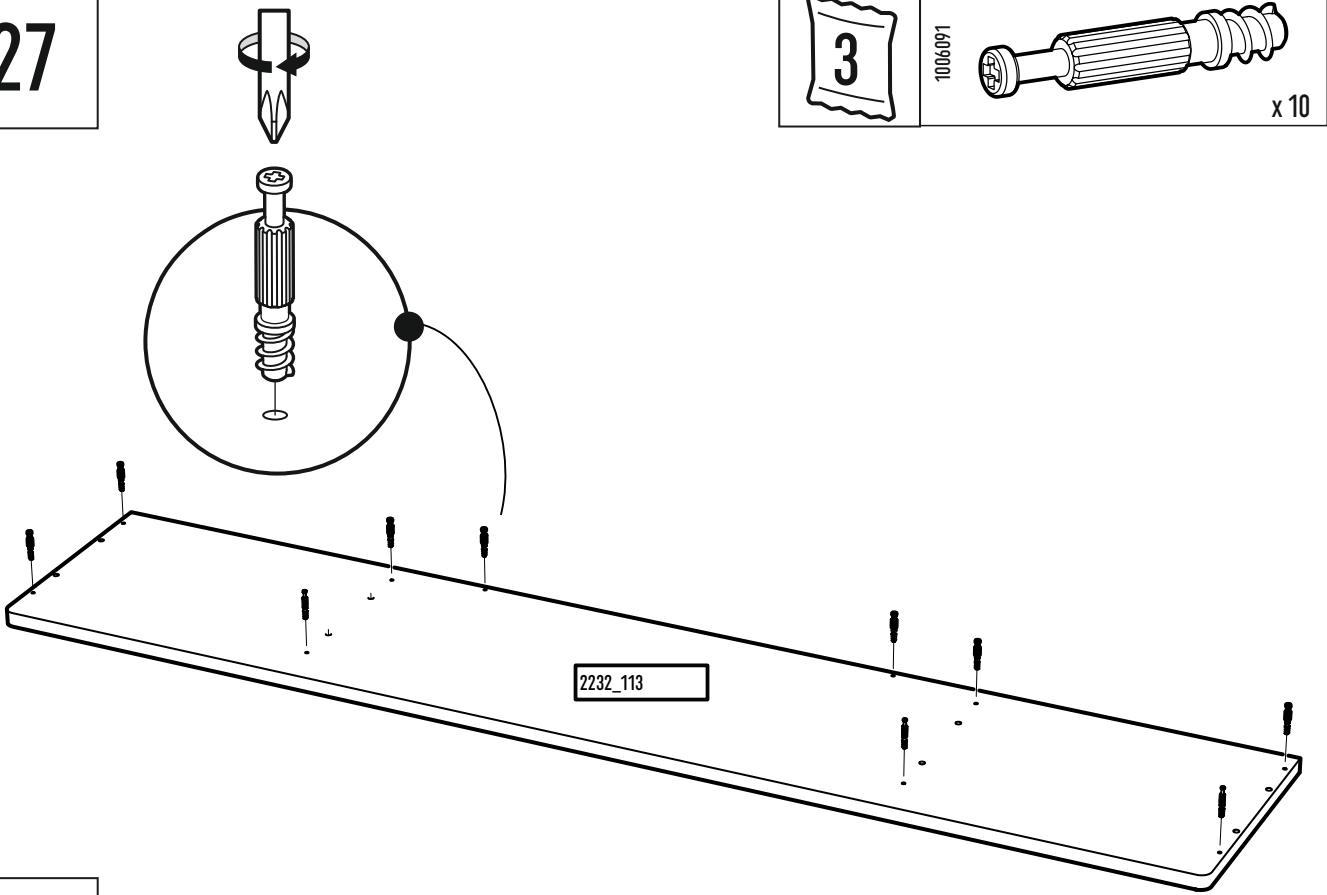
25



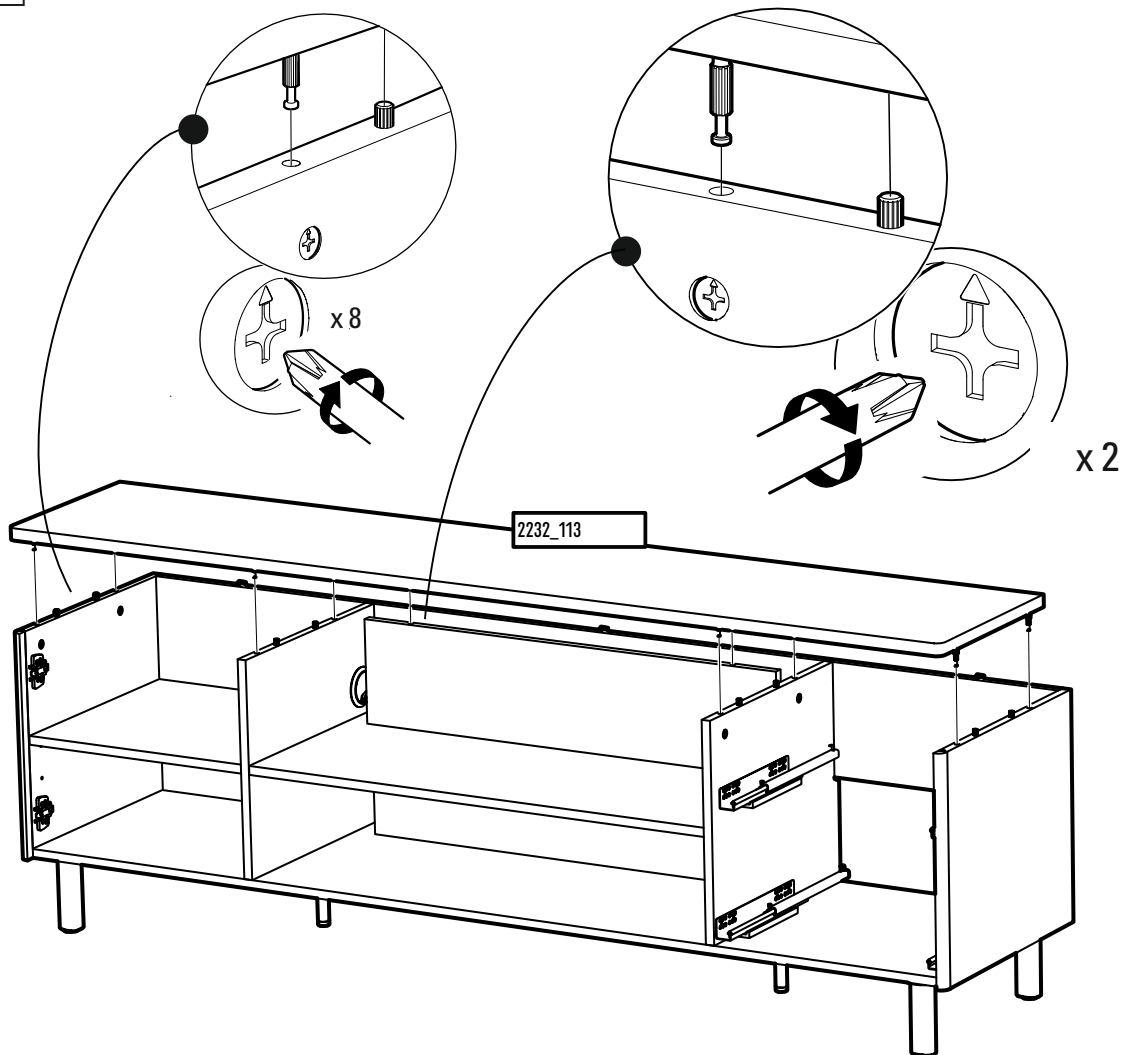
26




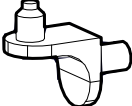
27

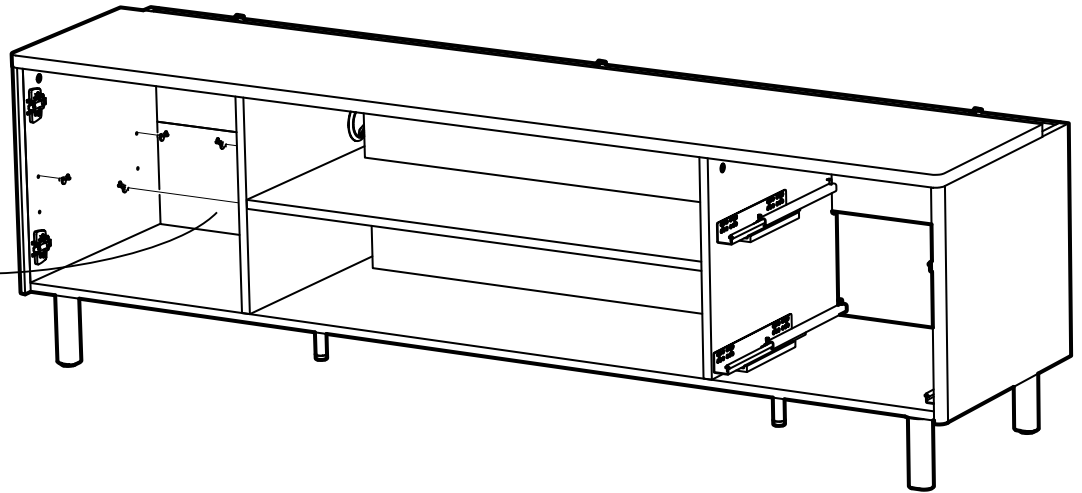
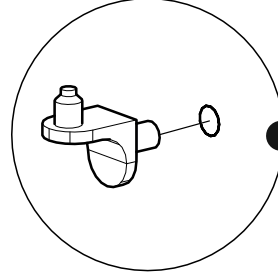
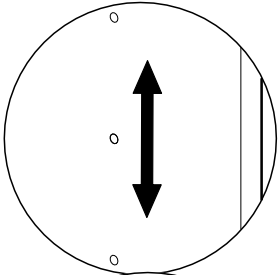


28

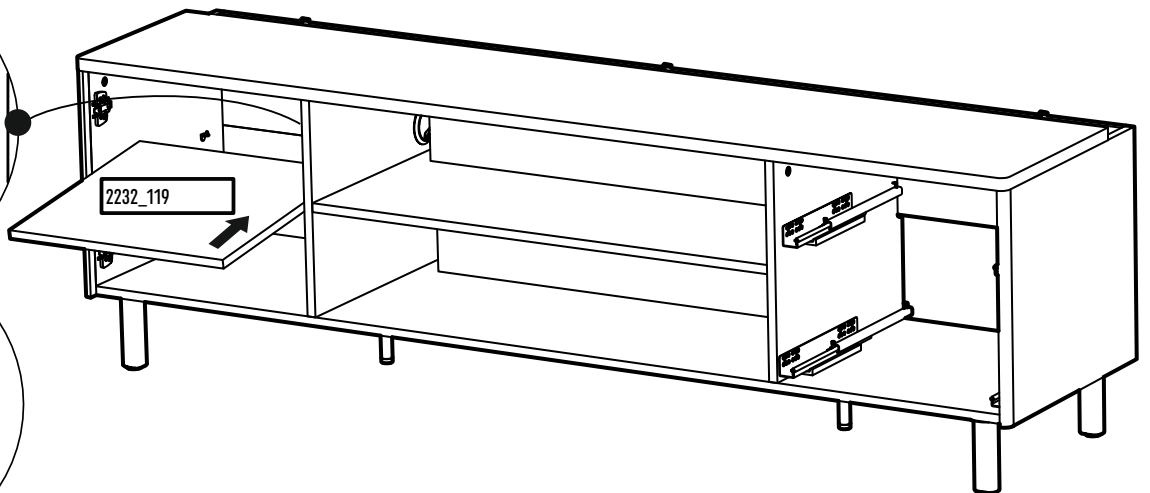
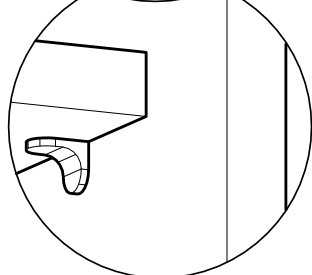
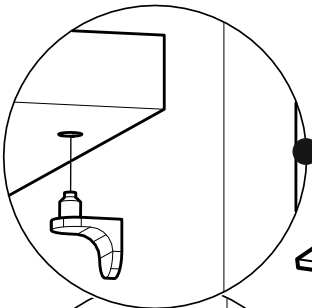


29

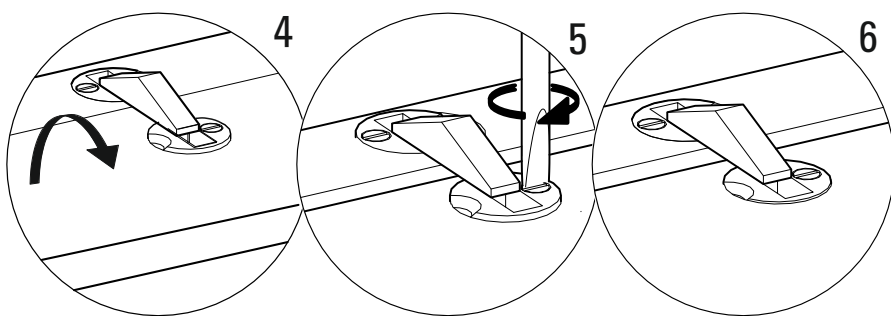
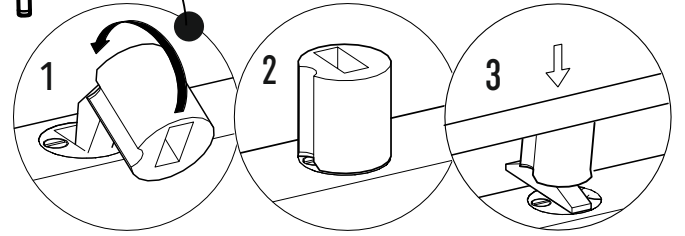
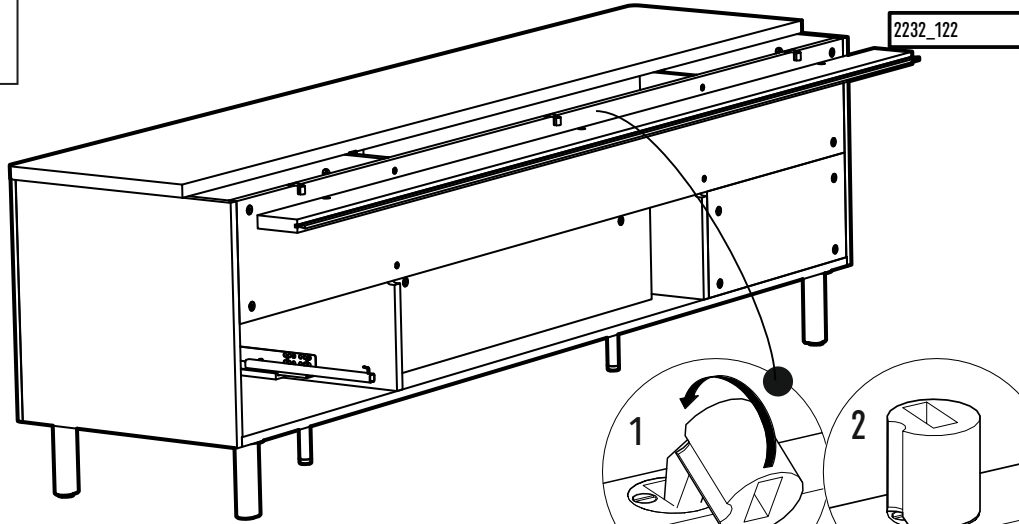
 <p>3</p>	<p>1001262</p>		<p>x 4</p>
--	----------------	--	------------



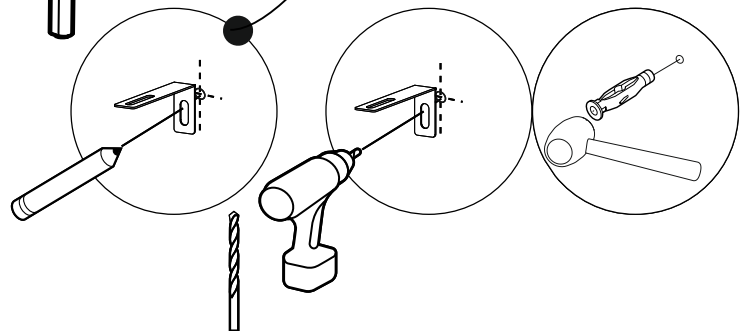
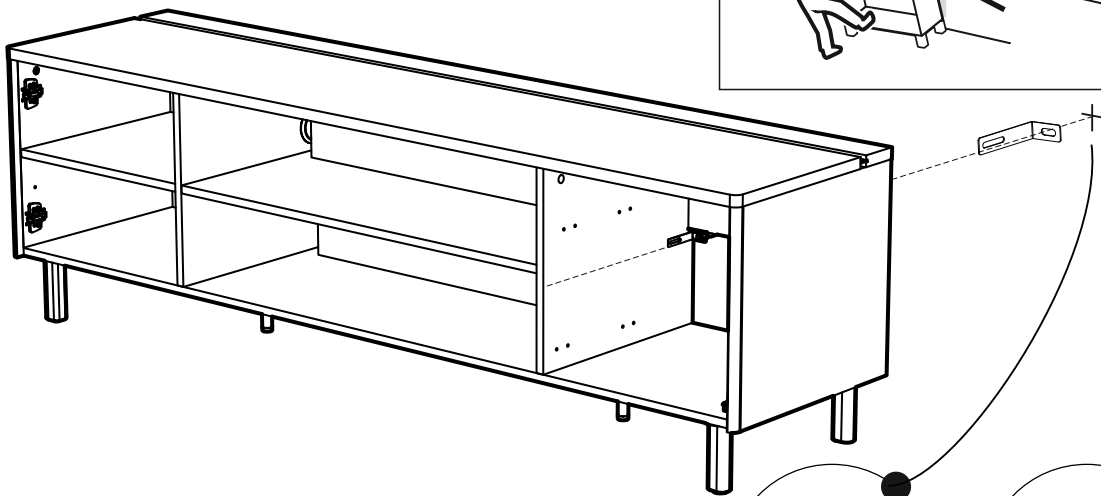
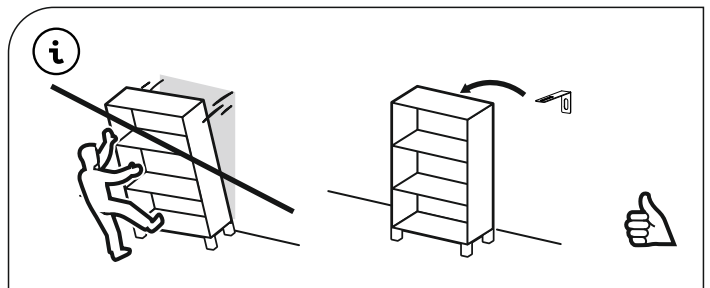
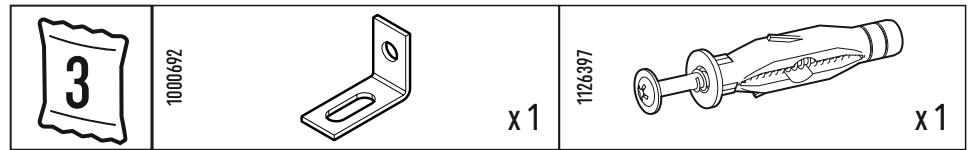
30






31

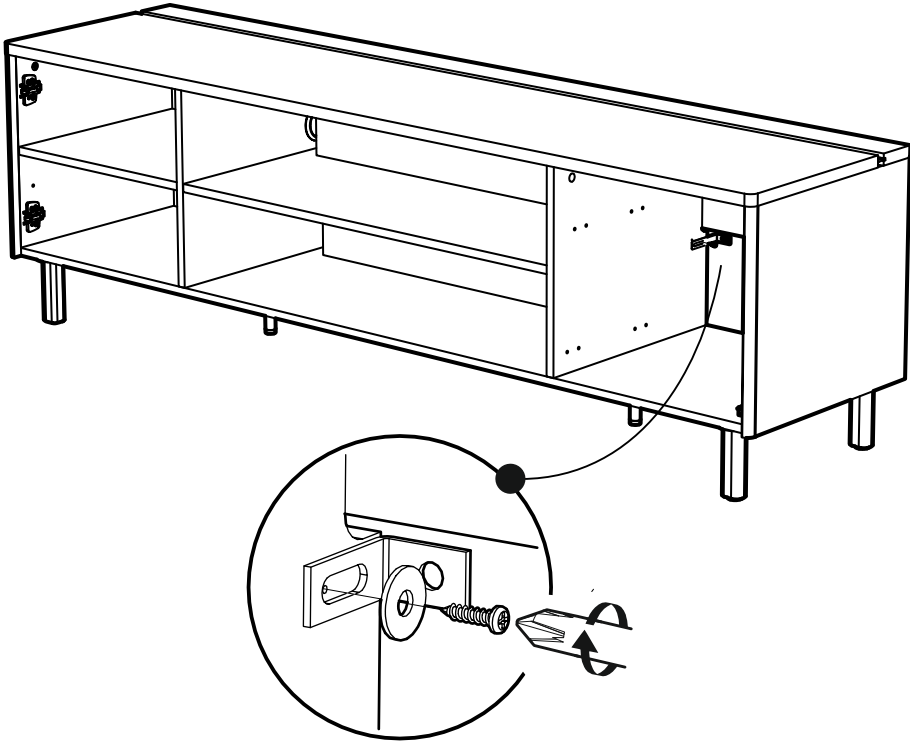


32

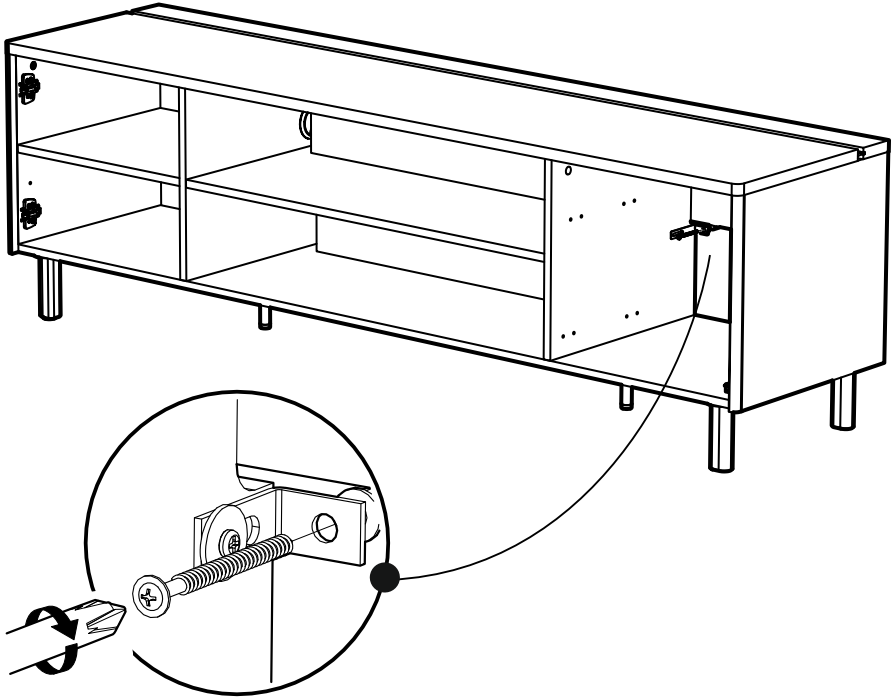


33

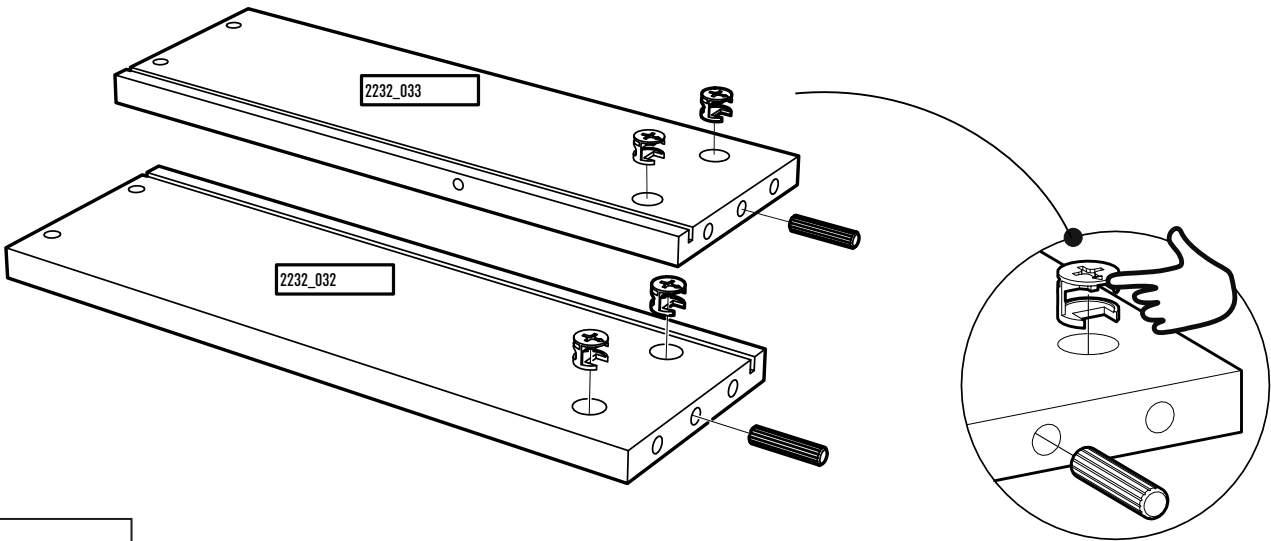
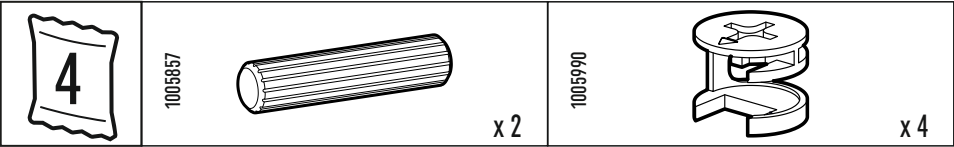
 <p>3</p>	<p>1005680</p>	 <p>x1</p>	<p>1124544</p>	 <p>x1</p>
---	----------------	--	----------------	--



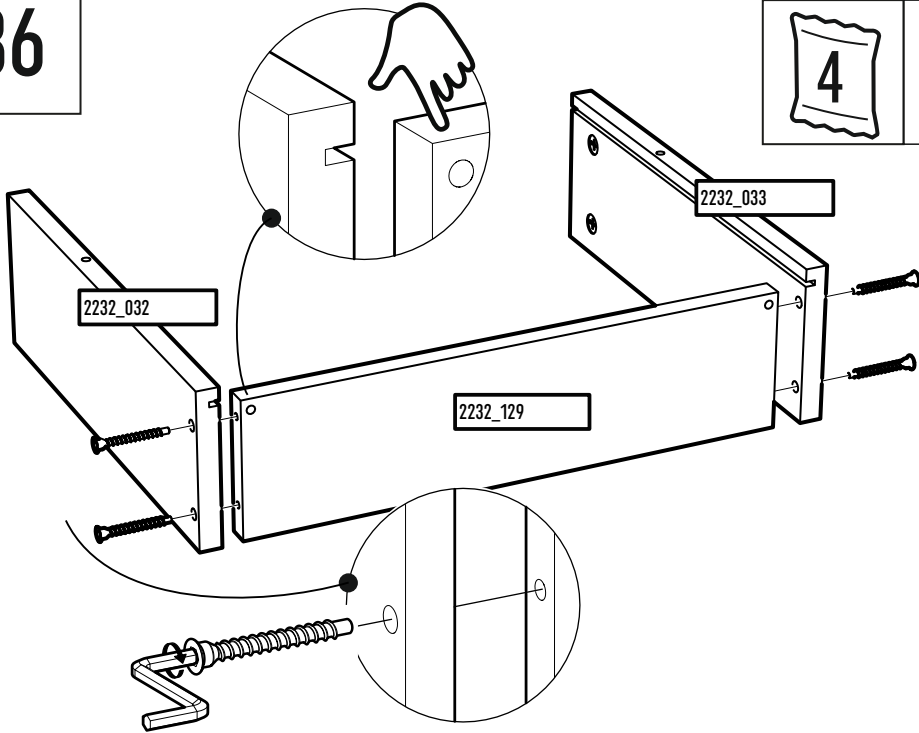
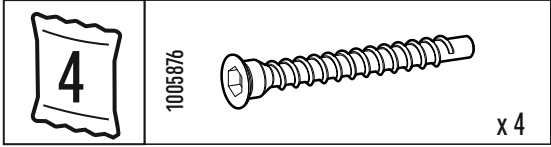
34



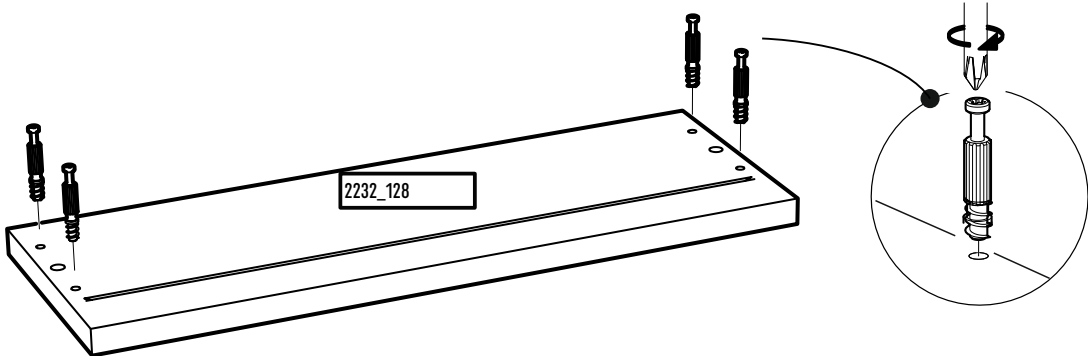
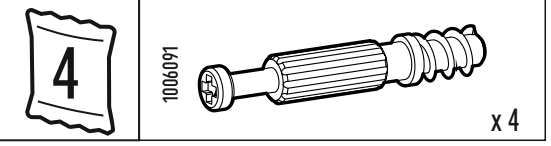
35



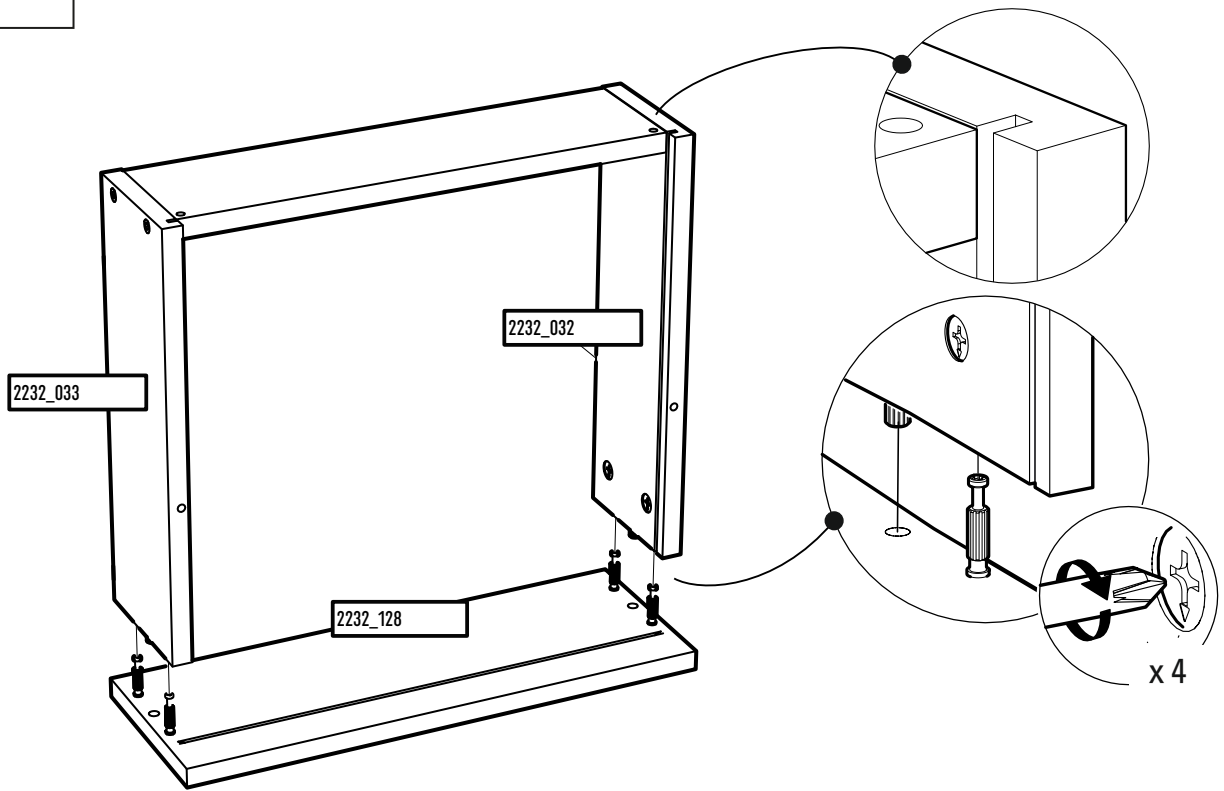
36



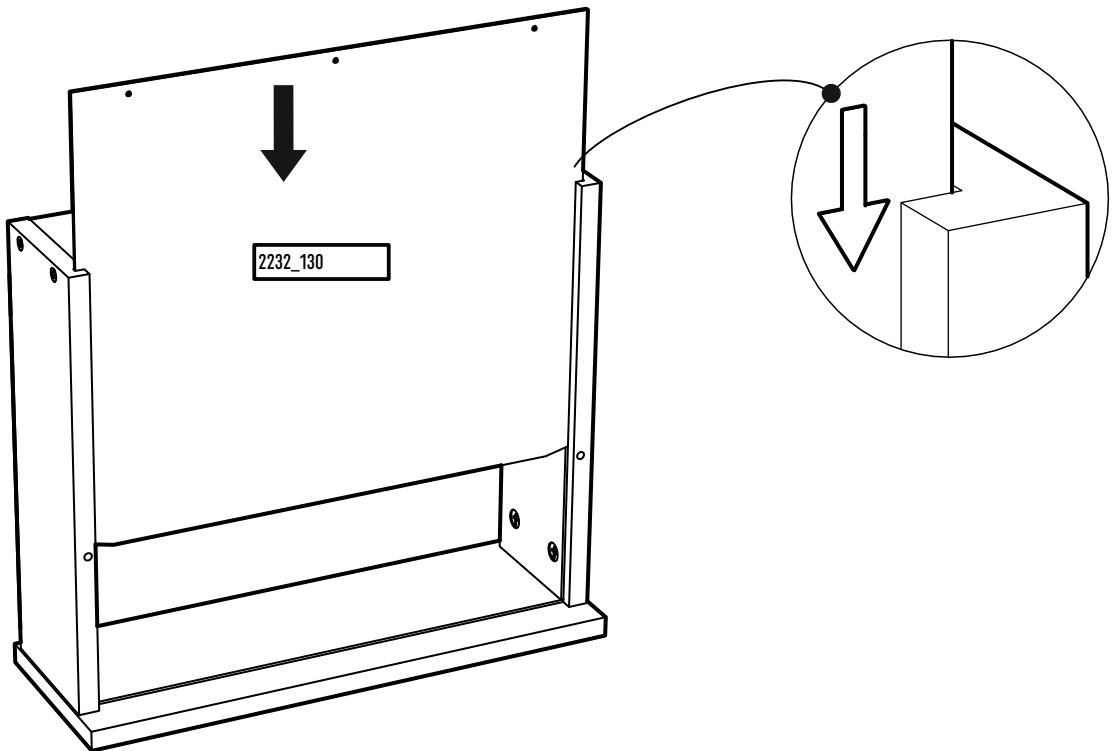
37





38



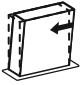



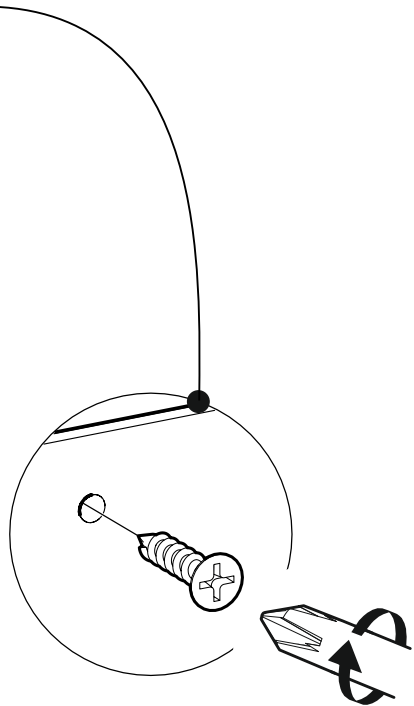
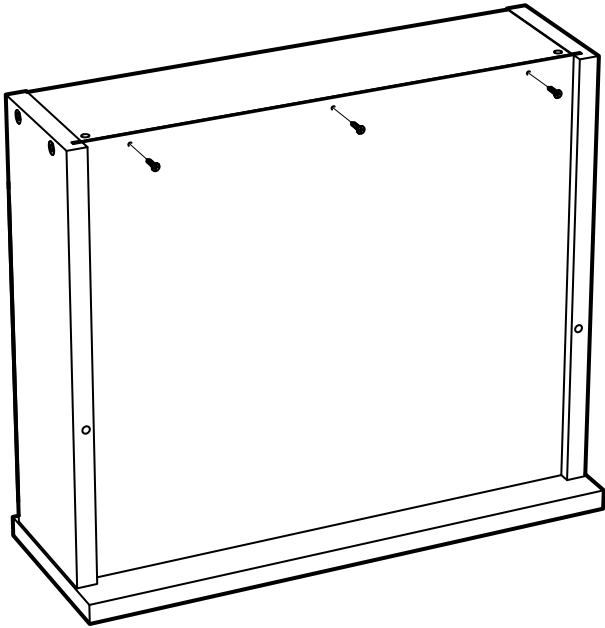
39



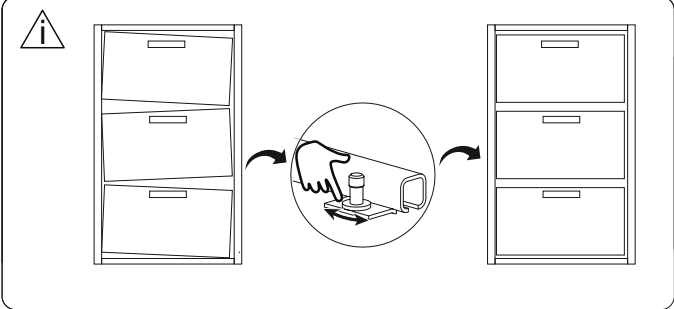
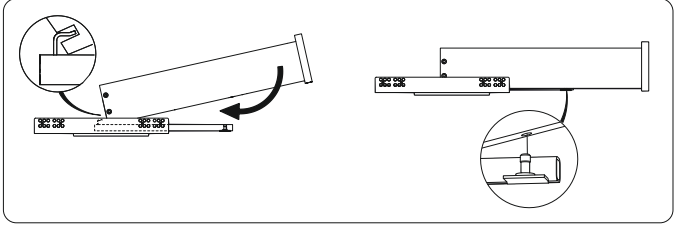
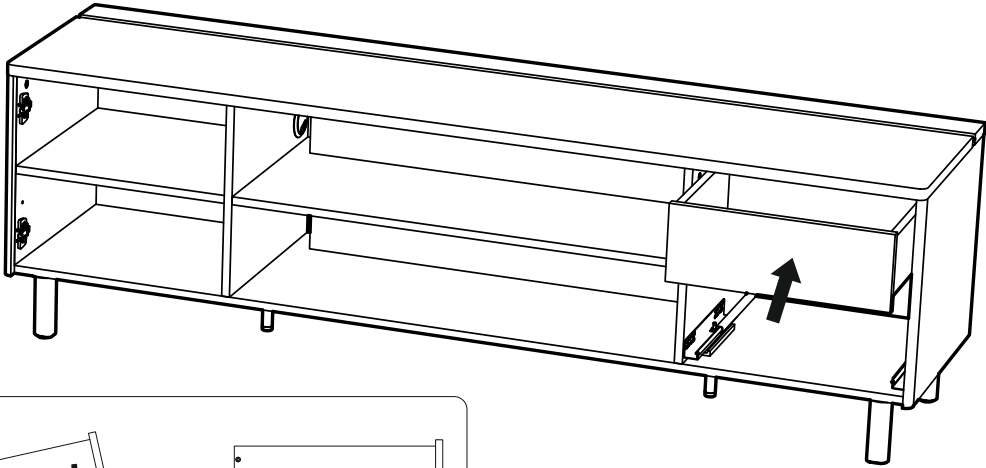
40

	1006012		x 3
---	---------	---	-----


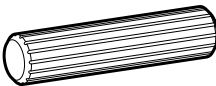
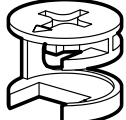
			
		X=Y (>2mm)	X=Y (≠2mm)

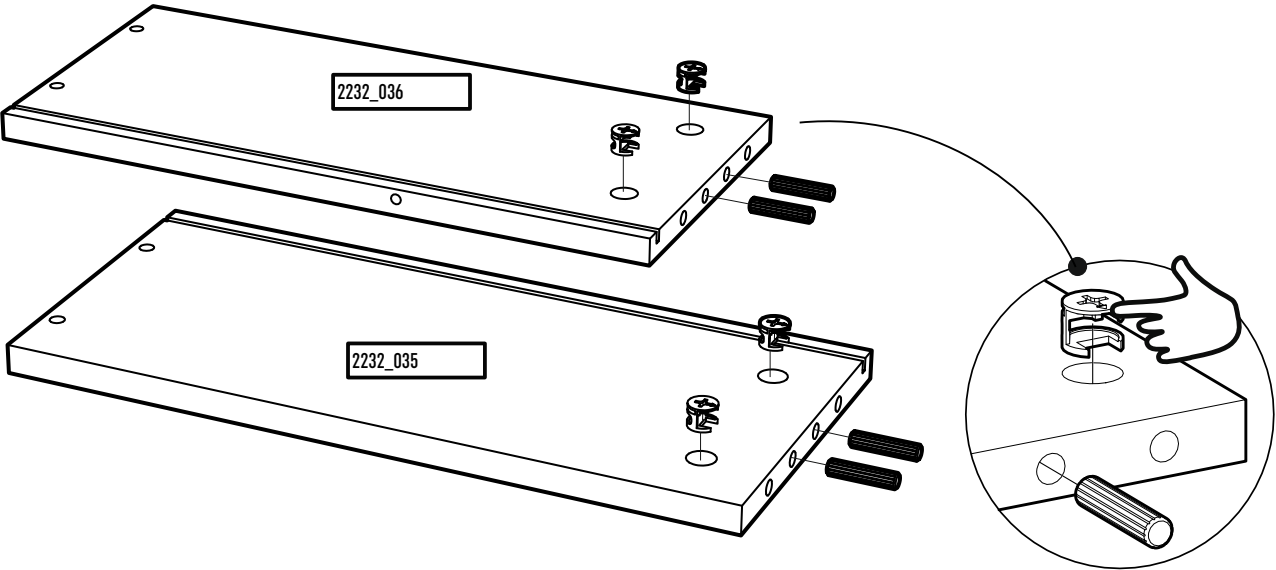


41


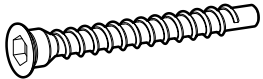


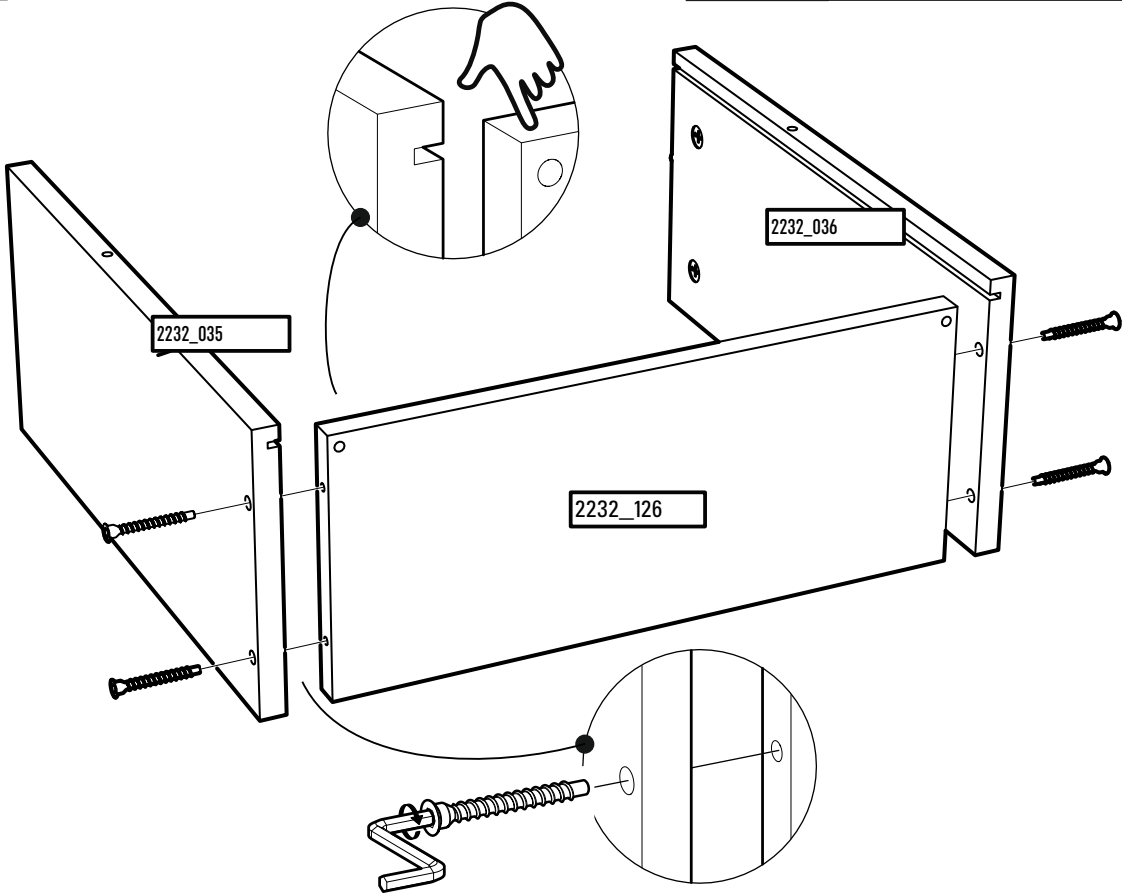
42

 <p>4</p>	<p>1005857</p>  <p>x 4</p>	<p>1005990</p>  <p>x 4</p>
---	--	--

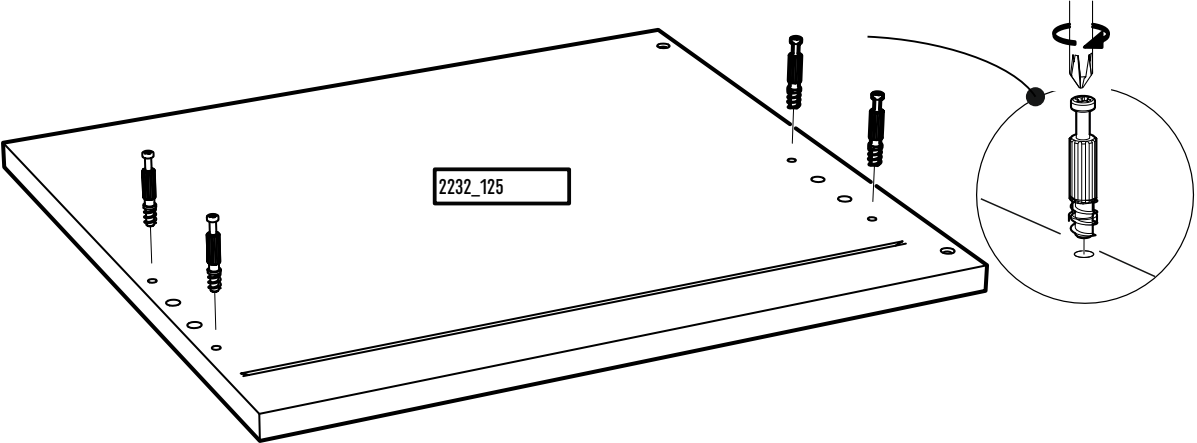
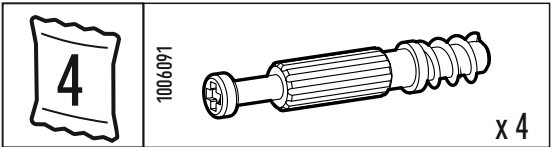


43

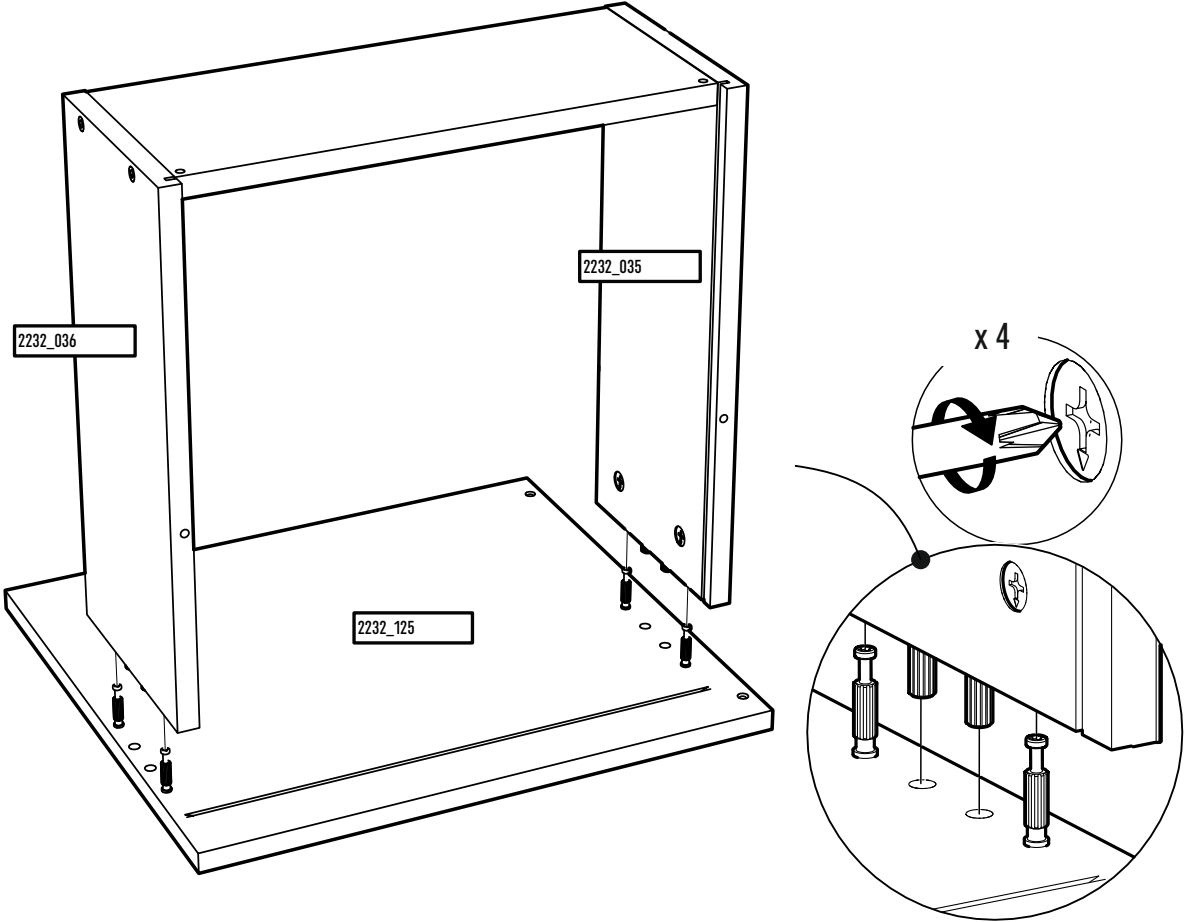
 <p>4</p>	<p>1005876</p>  <p>x 4</p>
---	---



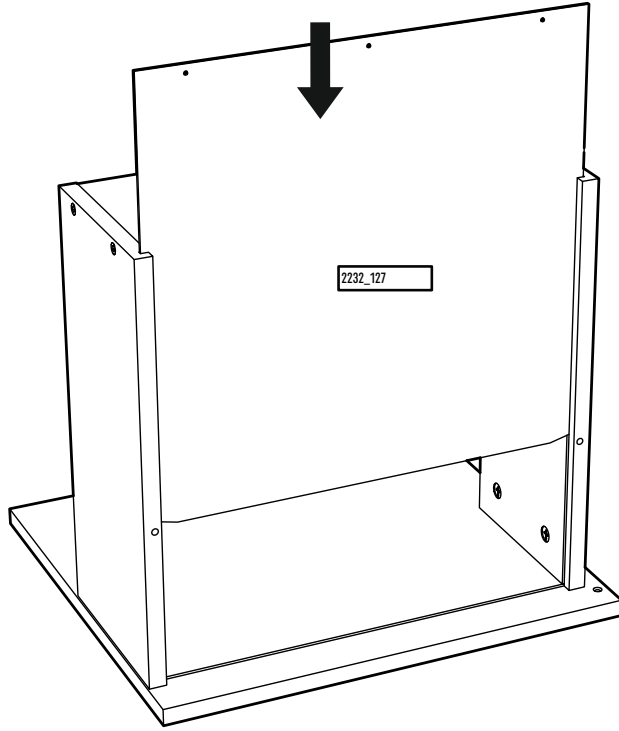
44



45



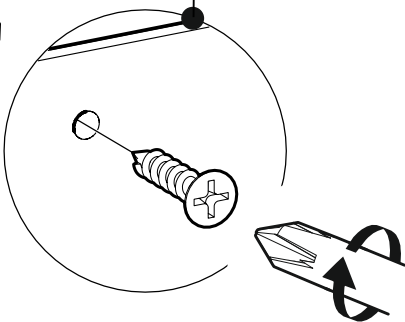
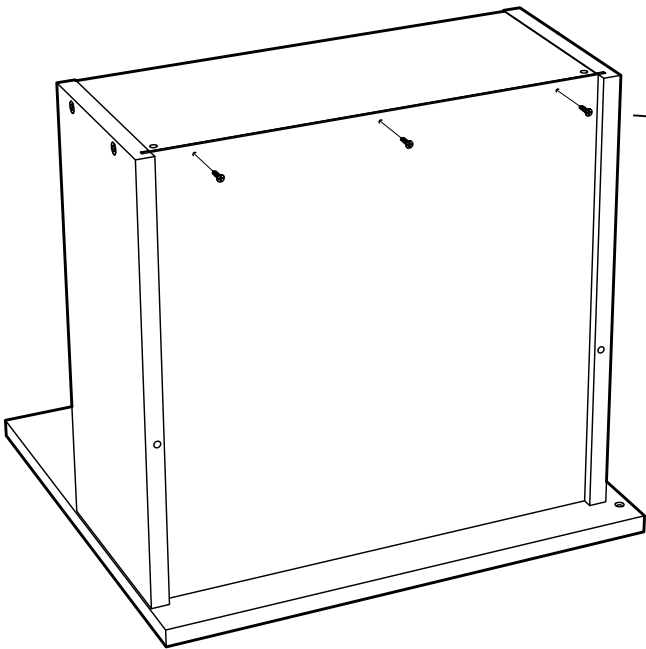
46



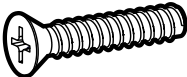
47

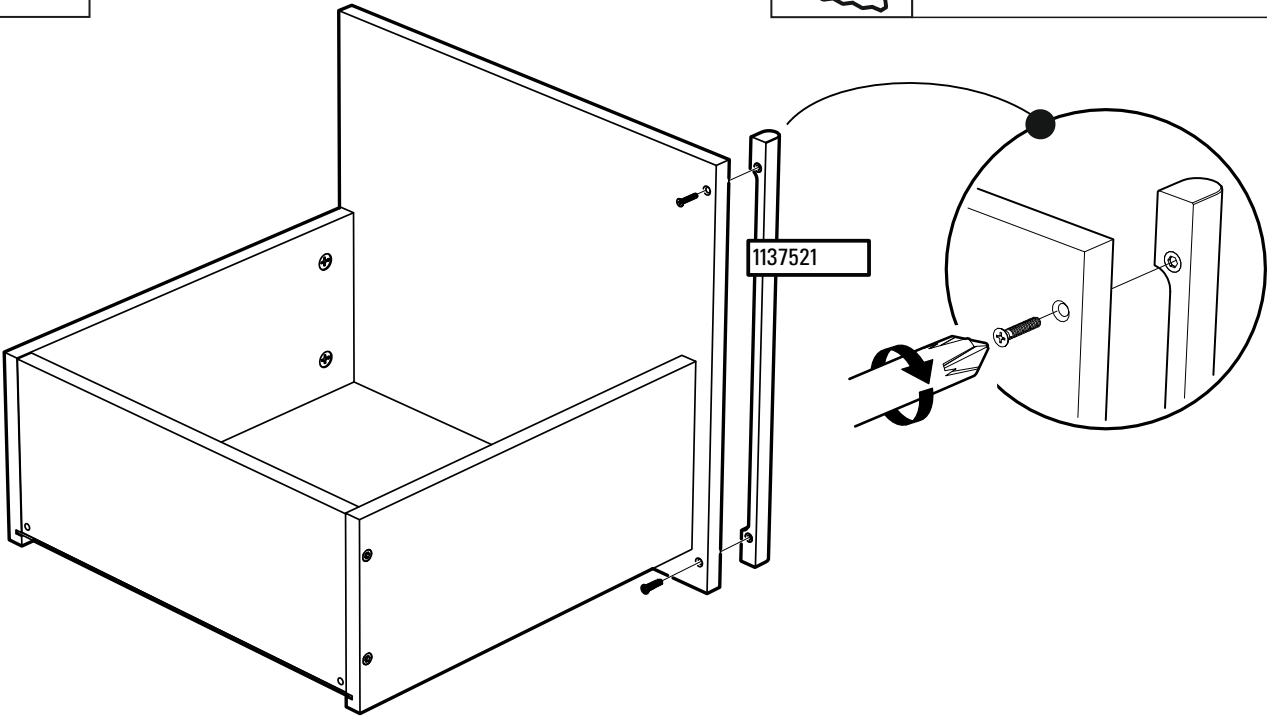
	1006012		x 3
--	---------	--	-----

	X≠Y (>2mm)	X=Y (±2mm)	

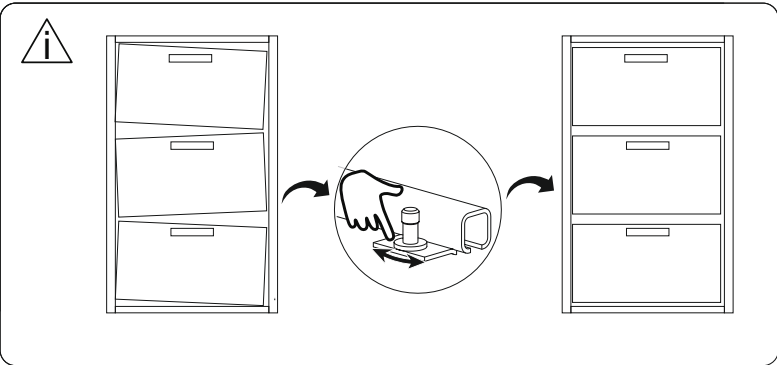
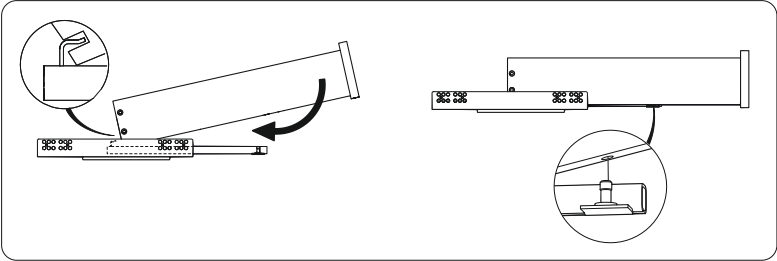
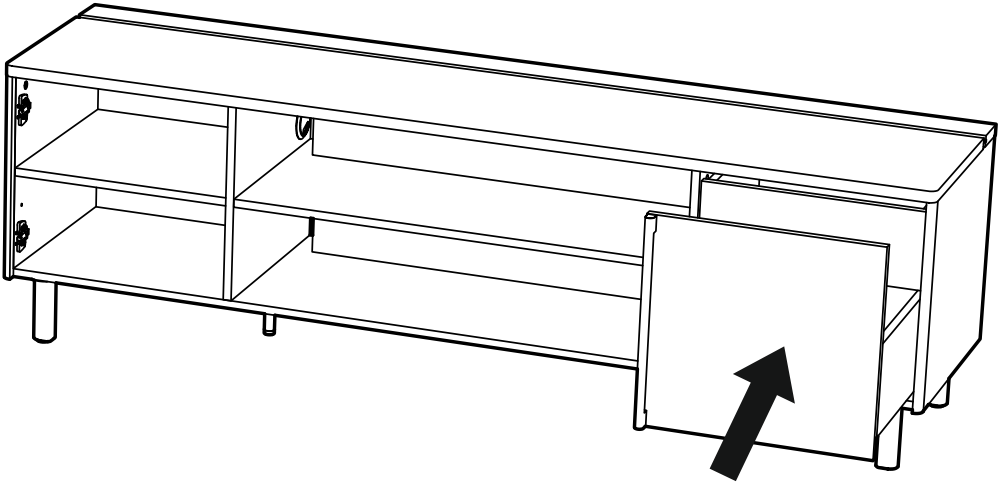


48



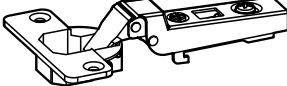
4	1005907		x 2
---	---------	--	-----

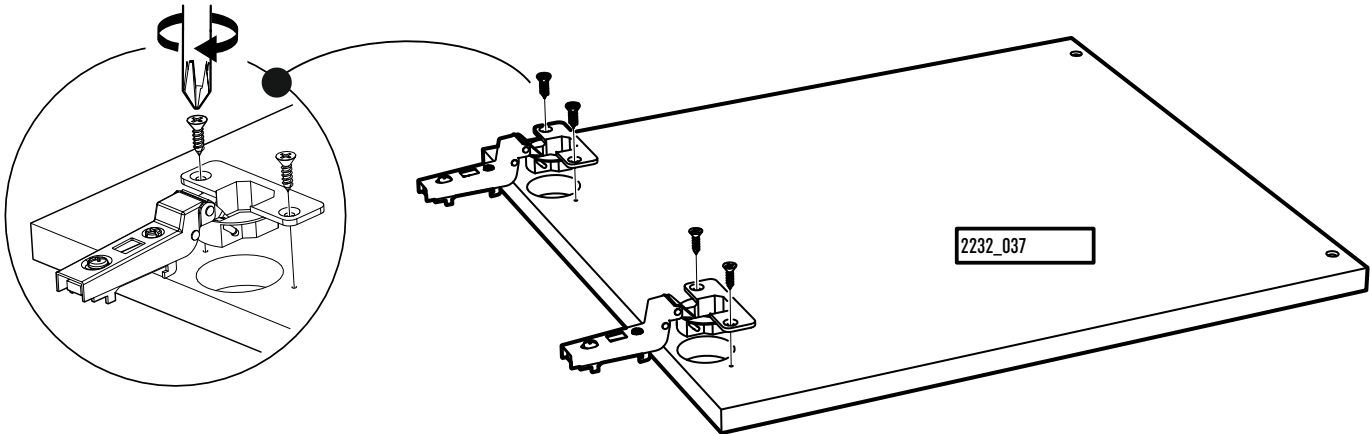


49

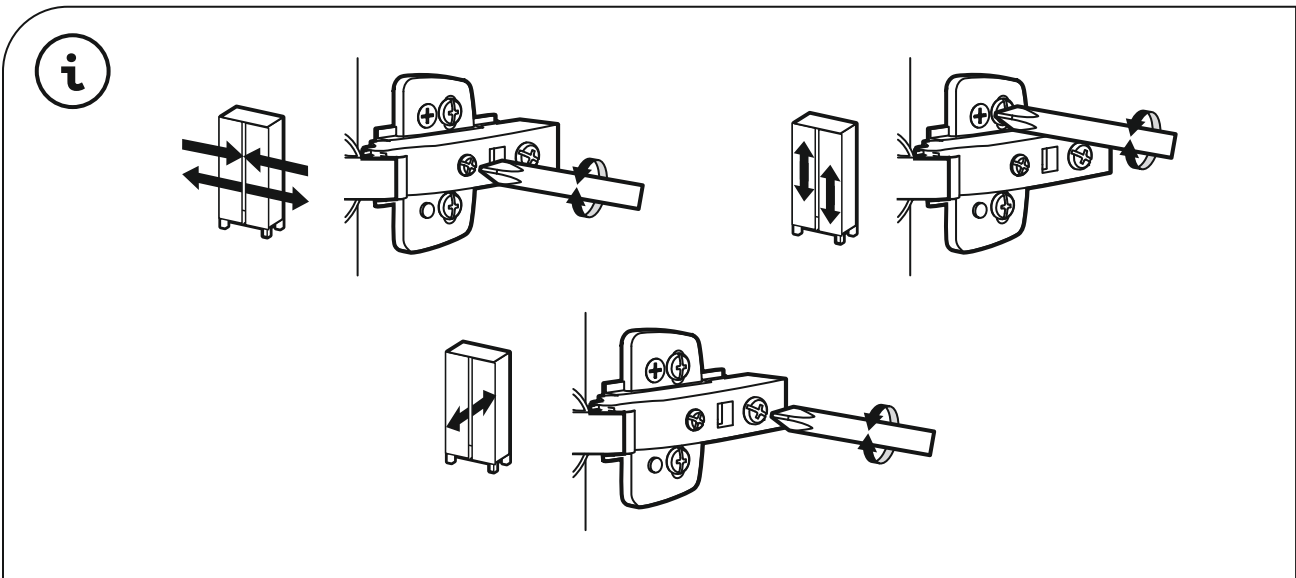
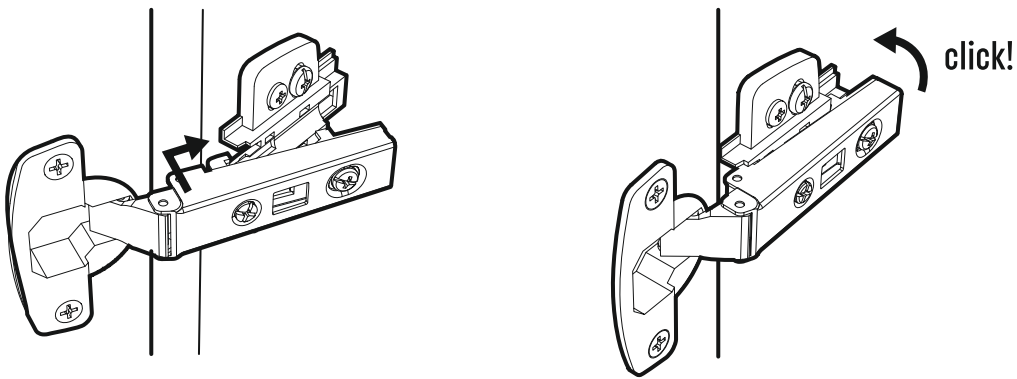
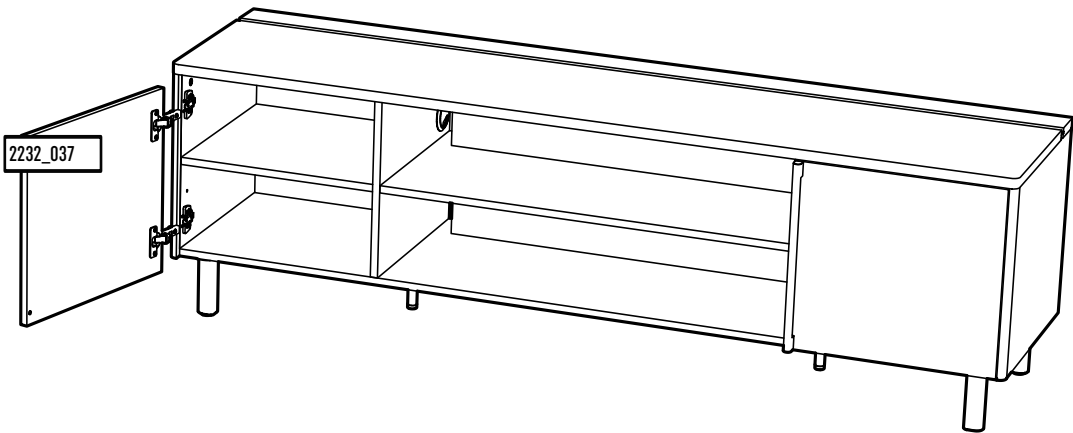


50

 <p>5</p>	<p>1005681</p>	 <p>x 4</p>	<p>1136238</p>  <p>x 2</p>
---	----------------	---	--



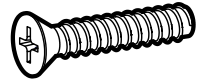
51



52

5

1005907



x 2

