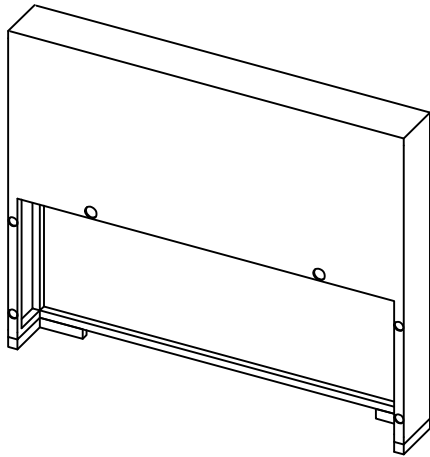
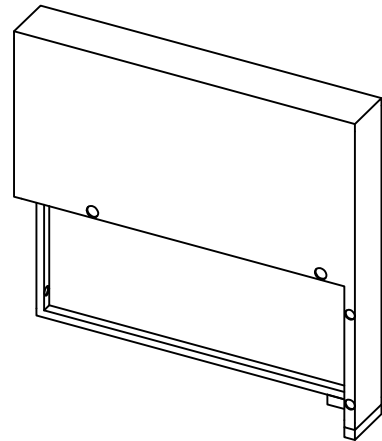


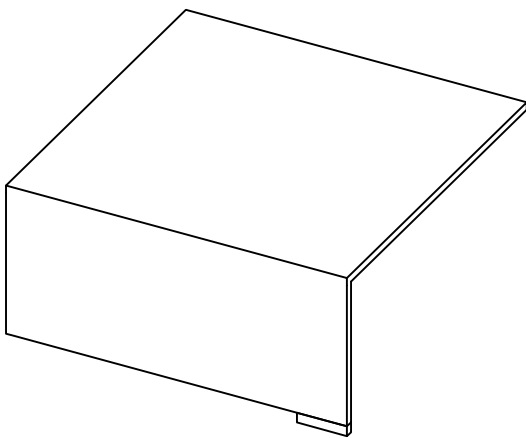
Parts List of Right-Hand Sofa



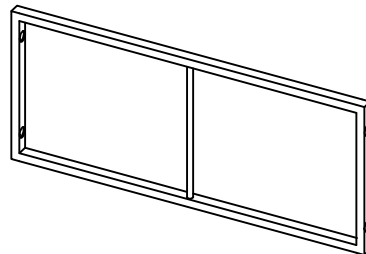
A 1PC



D 1PC



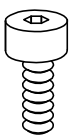
E 1PC



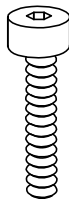
F 1PC



a $\Phi 6$
22pcs+1pc



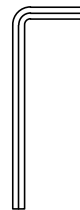
d M6*35mm
2pcs+1pc



b M6*50mm
10pcs+1pc



c M6
10pcs+1pc



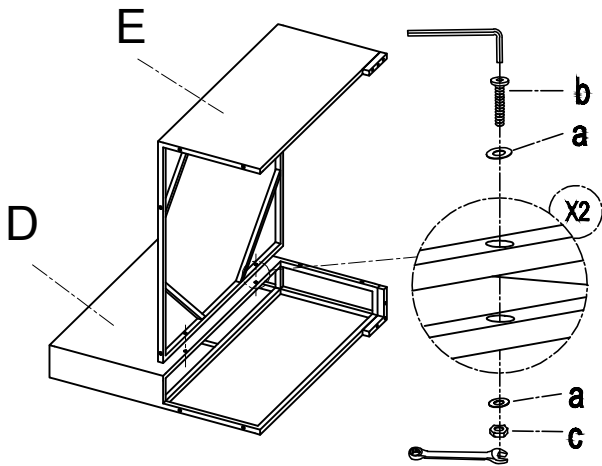
Allen Key
1pc



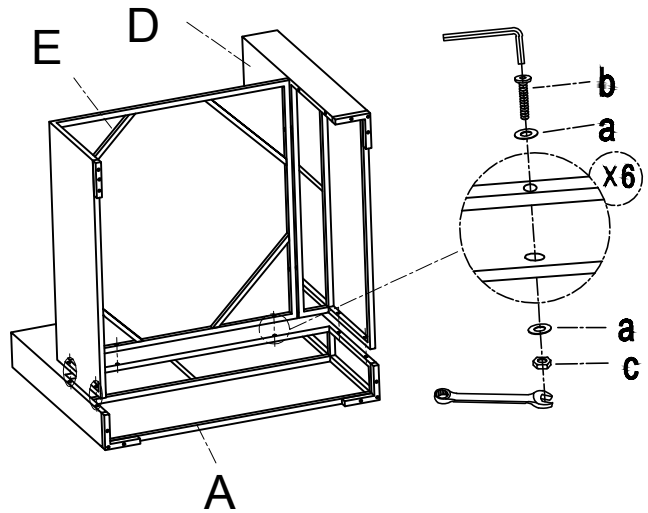
Spanner
1pc

Assembly Steps For Right-Hand Sofa

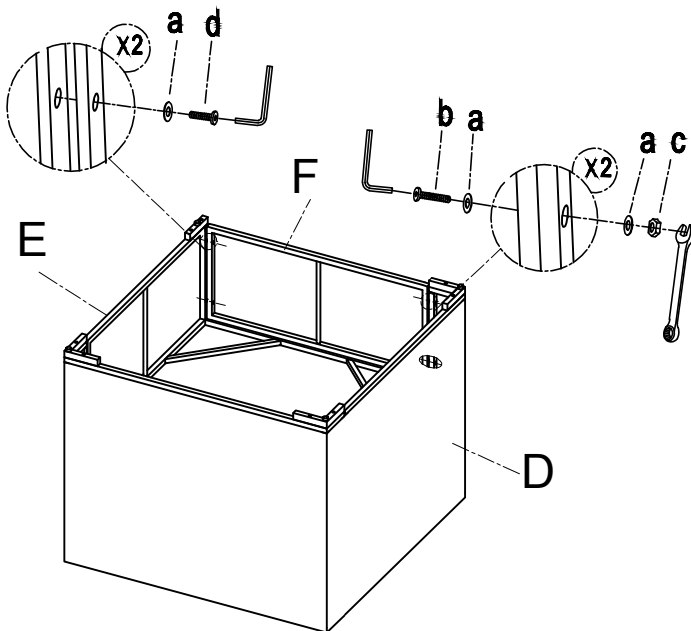
STEP: 1



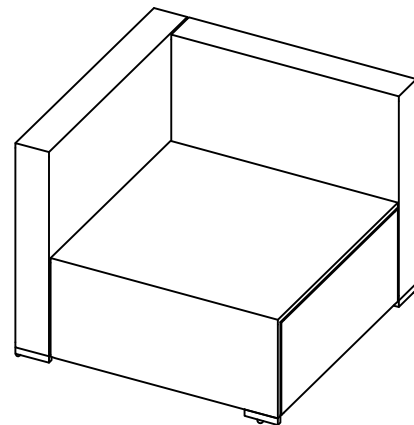
STEP: 2



STEP: 3



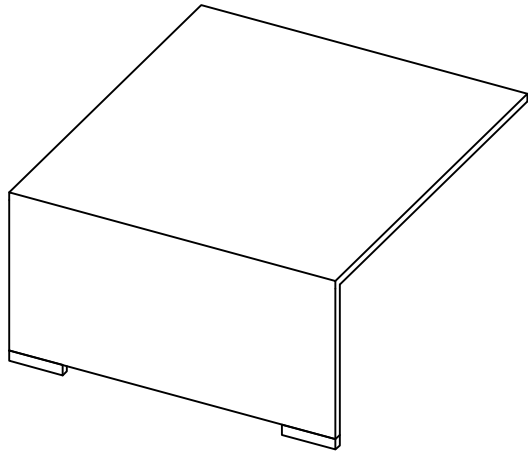
STEP: 4



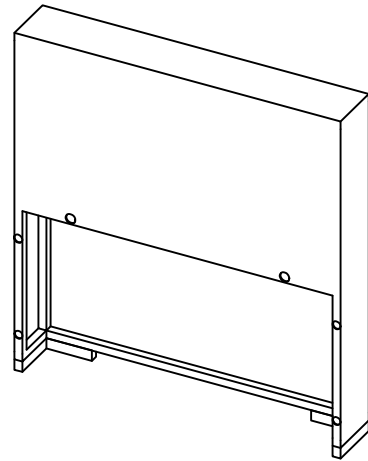
NOTE:

1. Please DO NOT fix screws tightly before all screws and holes connected.
 2. Keeping all screws half-tightened will make assembling easier.
 3. Please email us with pictures if you need any help during assembling.
 4. Don't expose the cushions in the sun for a long period of time and cover the set or put cushions indoor when there is rain or snow expected for long periods of time.
 5. Please don't discard packing boxes before all cushion chairs are assembled without first making sure there are no issues with assembly or parts.
- We will ask for the SKU# on boxes if there are any issues reported so please keep that information and have it available. Thank you!

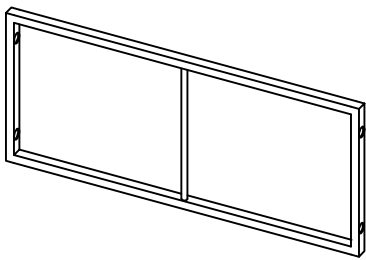
Parts List of Middle Sofa



G 1PC



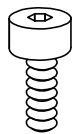
H 1PC



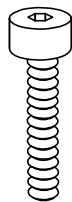
F 2PCS



a $\Phi 6$
16pcs+1pc



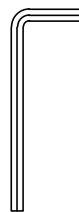
d M6*35mm
4pcs+1pc



b M6*50mm
6pcs+1pc



c M6
6pcs+1pc



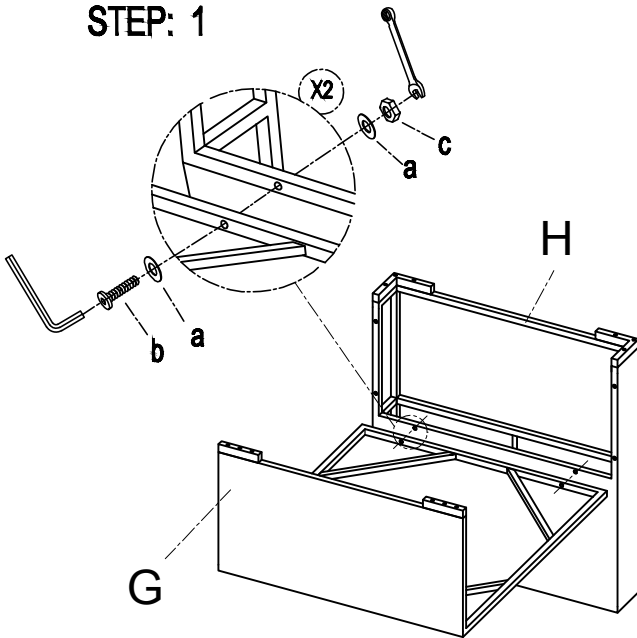
Allen Key
1pc



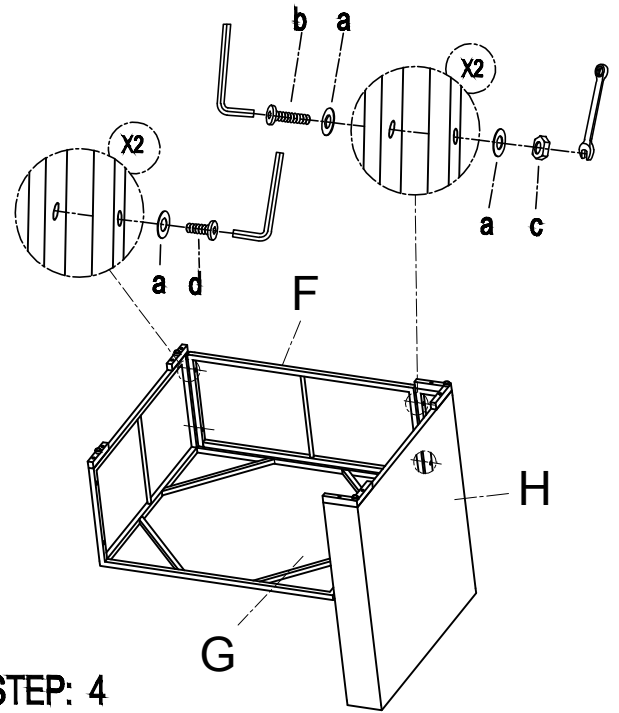
Spanner
1pc

Assembly Steps For Middle Sofa

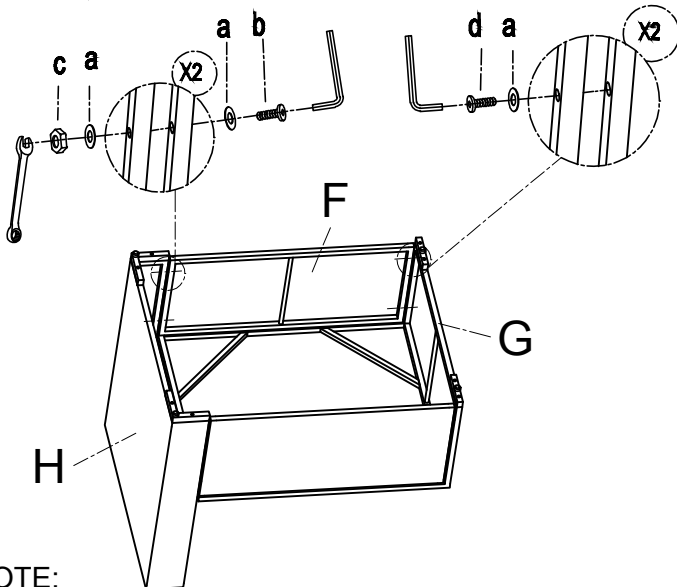
STEP: 1



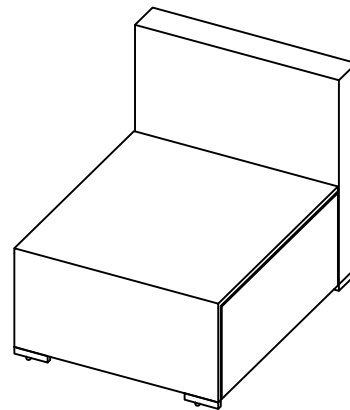
STEP: 2



STEP: 3



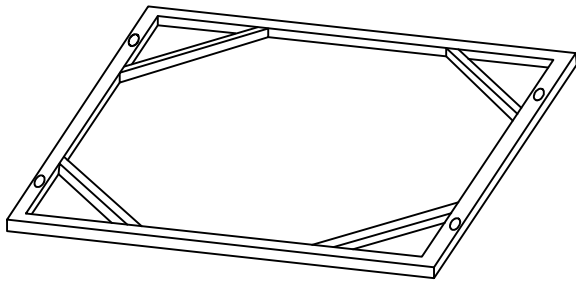
STEP: 4



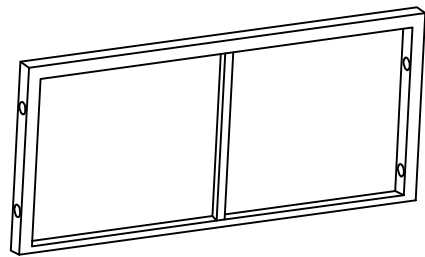
NOTE:

1. Please DO NOT fix screws tightly before all screws and holes connected.
 2. Keeping all screws half-tightened will make assembling easier.
 3. Please email us with pictures if you need any help during assembling.
 4. Don't expose the cushions in the sun for a long period of time and cover the set or put cushions indoor when there is rain or snow expected for long periods of time.
 5. Please don't discard packing boxes before all cushion chairs are assembled without first making sure there are no issues with assembly or parts.
- We will ask for the SKU# on boxes if there are any issues reported so please keep that information and have it available. Thank you!

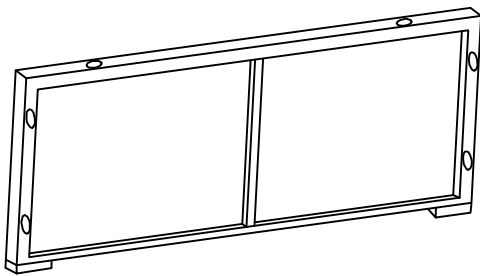
Parts List of Footrest



J 1PC



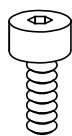
K 2PCS



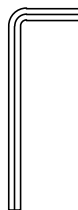
L 2PCS



a $\Phi 6$
12pcs+1pc



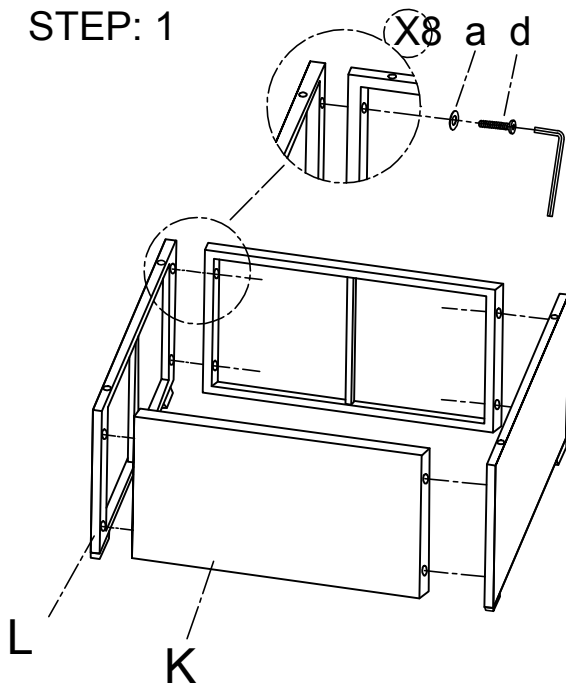
d M6*35mm
12pcs+1pc



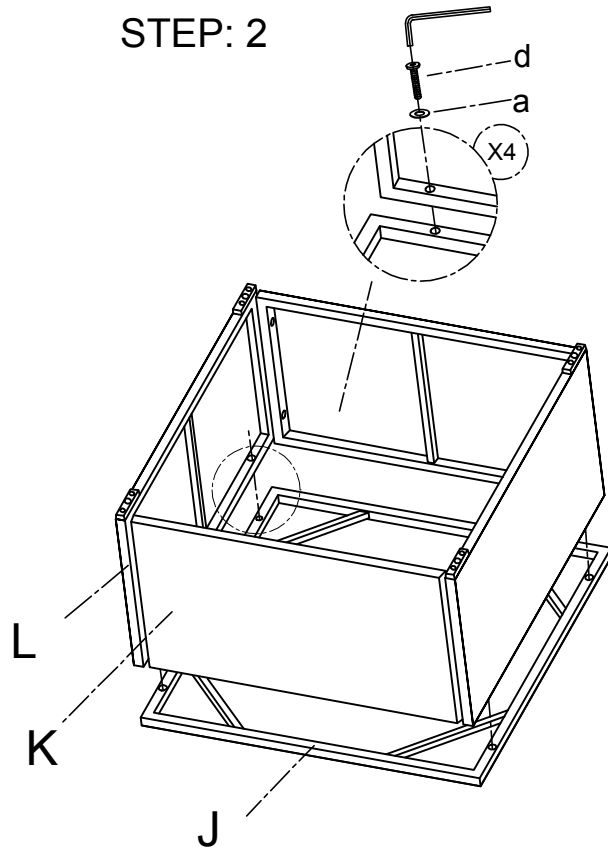
Allen Key
1pc

Assembly Steps For Footrest

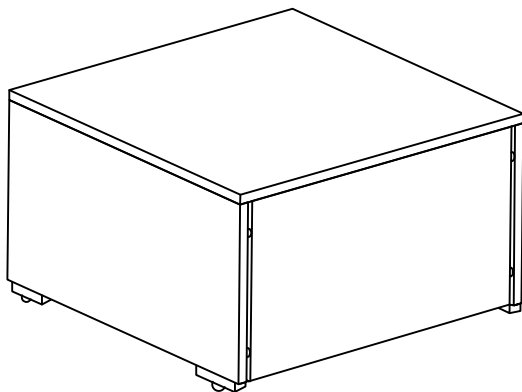
STEP: 1



STEP: 2



STEP: 3

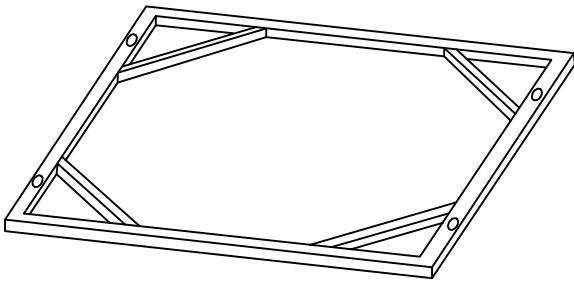


NOTE:

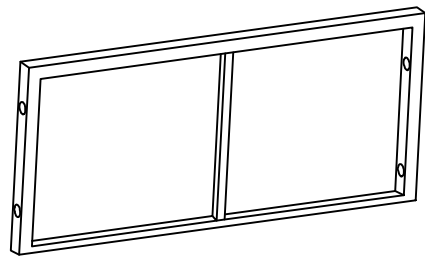
1. Please DO NOT fix screws tightly before all screws and holes connected.
2. Keeping all screws half-tightened will make assembling easier.
3. Please email us with pictures if you need any help during assembling.
4. Don't expose the cushions in the sun for a long period of time and cover the set or put cushions indoor when there is rain or snow expected for long periods of time.
5. Please don't discard packing boxes before all cushion chairs are assembled without first making sure there are no issues with assembly or parts.

We will ask for the SKU# on boxes if there are any issues reported so please keep that information and have it available. Thank you!

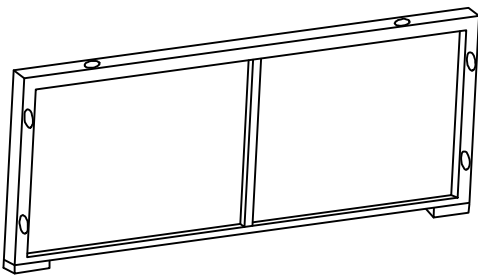
Parts List of Coffee Table



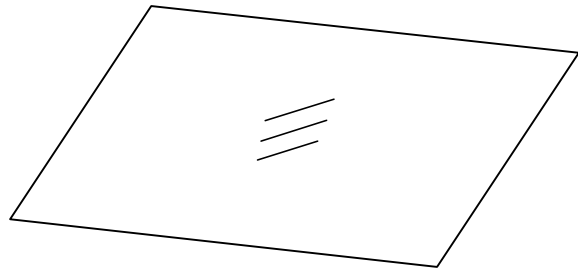
R 1PC



M 2PCS



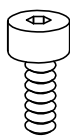
N 2PCS



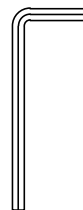
O 1PC



a $\Phi 6$
12pcs+1pc

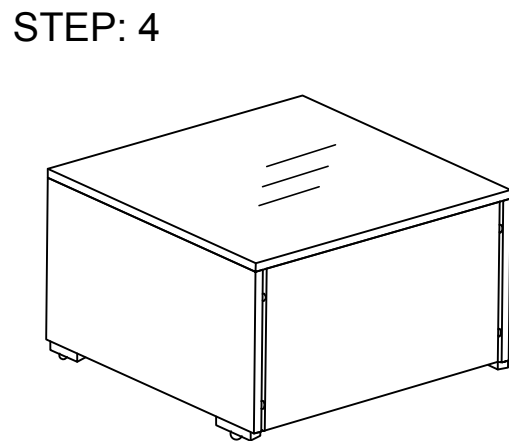
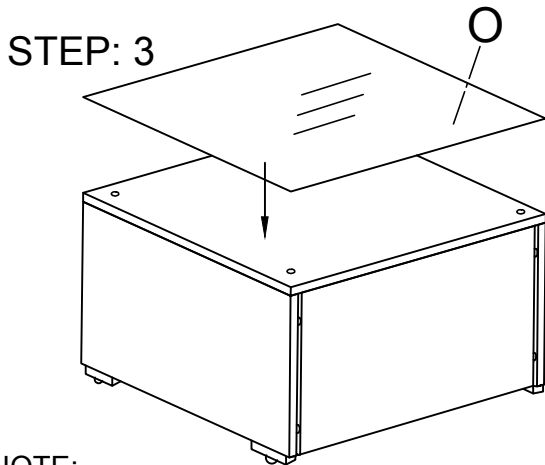
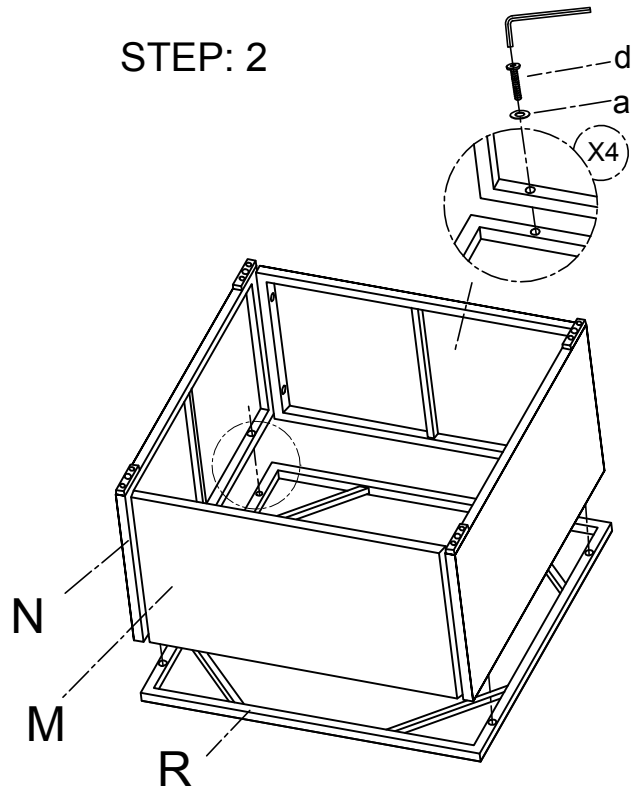
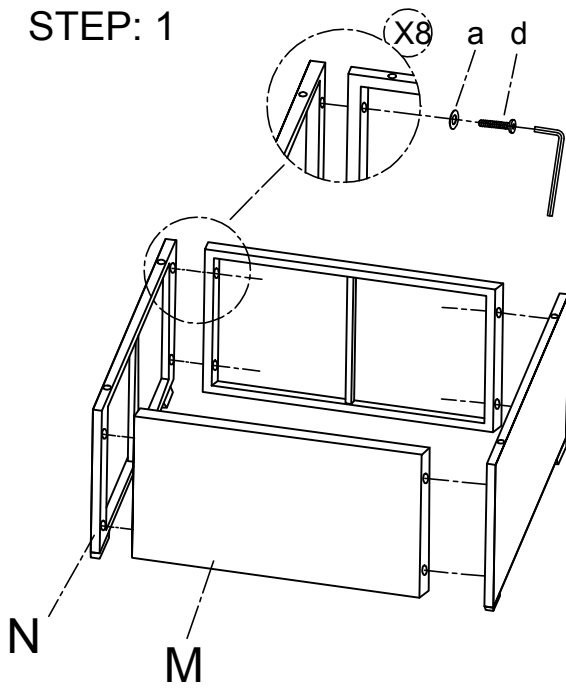


d M6*35mm
12pcs+1pc



Allen Key
1pc

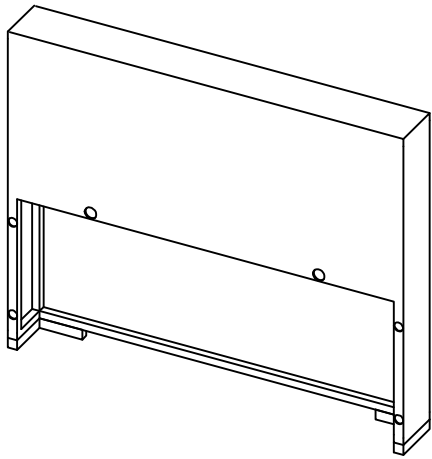
Assembly Steps For Coffee Table



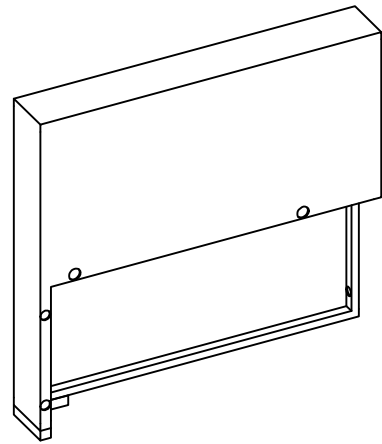
NOTE:

1. Please DO NOT fix screws tightly before all screws and holes connected.
 2. Keeping all screws half-tightened will make assembling easier.
 3. Please email us with pictures if you need any help during assembling.
 4. Don't expose the cushions in the sun for a long period of time and cover the set or put cushions indoor when there is rain or snow expected for long periods of time.
 5. Please don't discard packing boxes before all cushion chairs are assembled without first making sure there are no issues with assembly or parts.
- We will ask for the SKU# on boxes if there are any issues reported so please keep that information and have it available. Thank you!

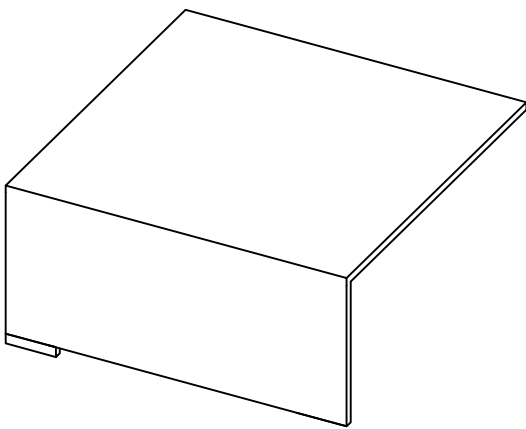
Parts List of Left-Hand Sofa



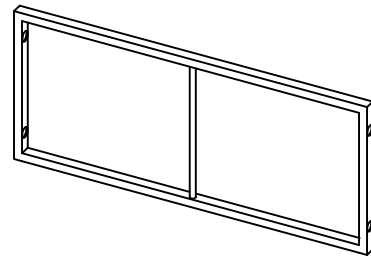
A 1PC



P 1PC



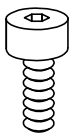
Q 1PC



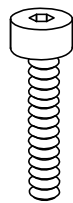
F 1PC



a $\Phi 6$
22pcs+1pc



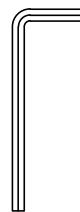
d M6*35mm
2pcs+1pc



b M6*50mm
10pcs+1pc



c M6
10pcs+1pc



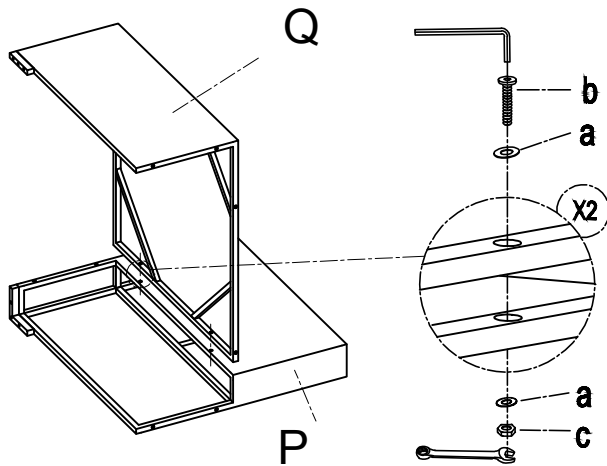
Allen Key
1pc



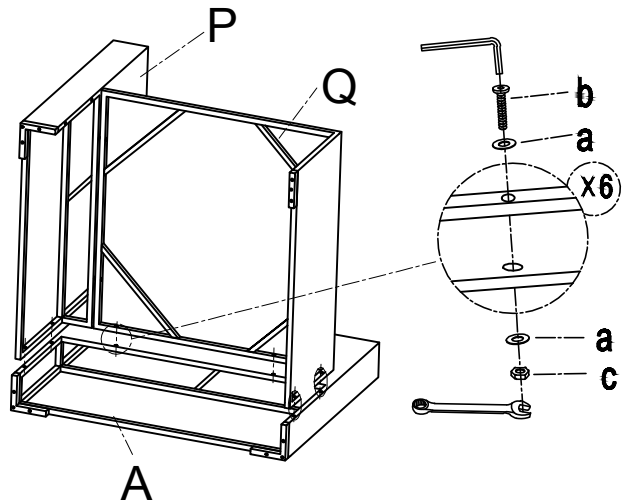
Spanner
1pc

Assembly Steps For Left-Hand Sofa

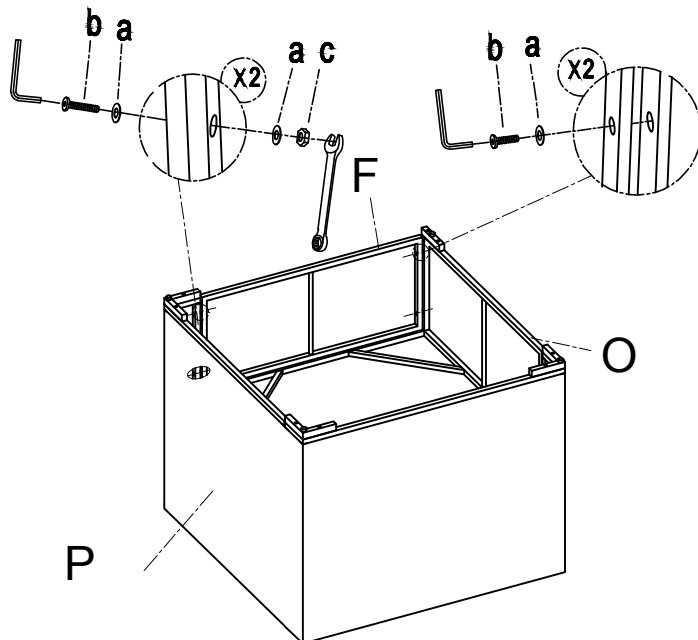
STEP: 1



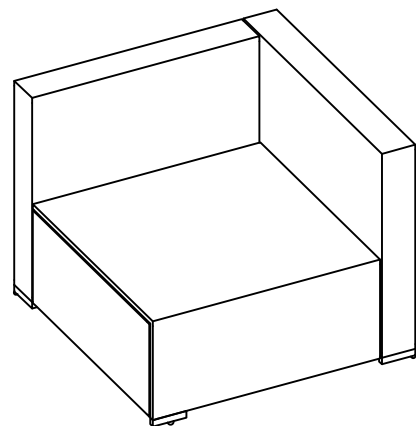
STEP: 2



STEP: 3



STEP: 4



NOTE:

1. Please DO NOT fix screws tightly before all screws and holes connected.
 2. Keeping all screws half-tightened will make assembling easier.
 3. Please email us with pictures if you need any help during assembling.
 4. Don't expose the cushions in the sun for a long period of time and cover the set or put cushions indoor when there is rain or snow expected for long periods of time.
 5. Please don't discard packing boxes before all cushion chairs are assembled without first making sure there are no issues with assembly or parts.
- We will ask for the SKU# on boxes if there are any issues reported so please keep that information and have it available. Thank you!