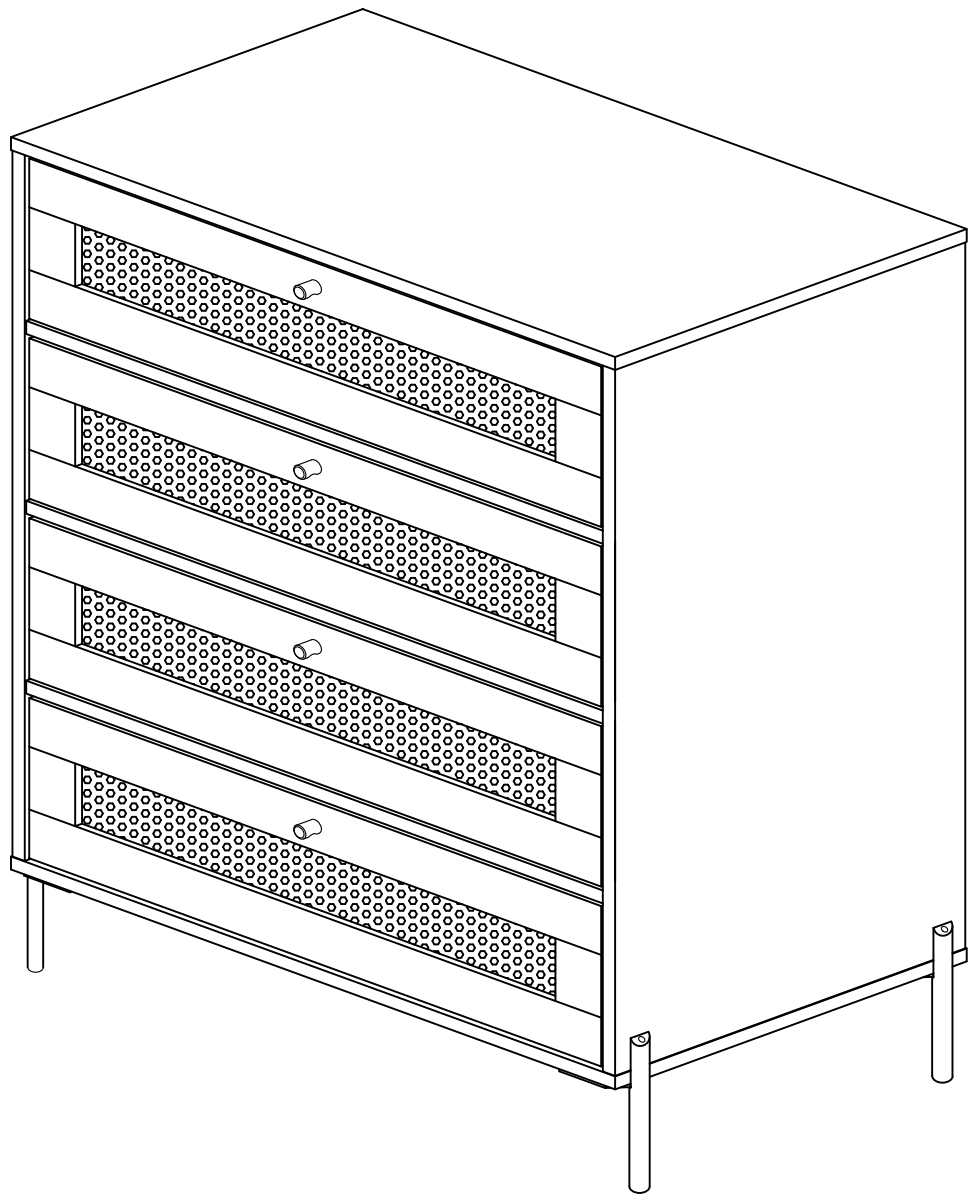


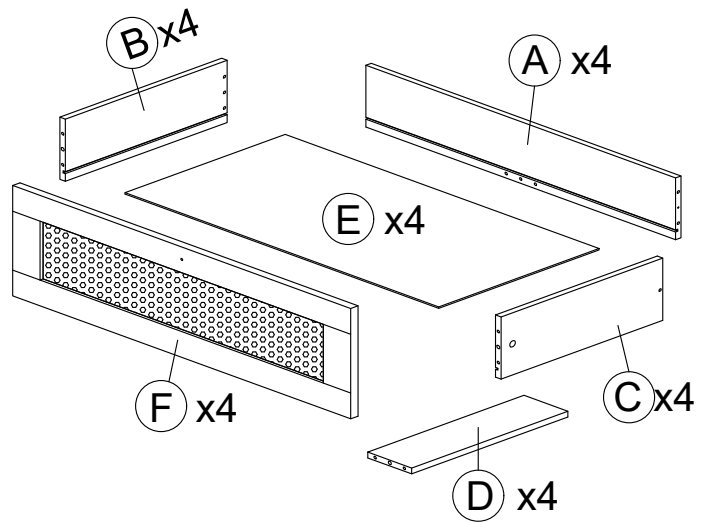
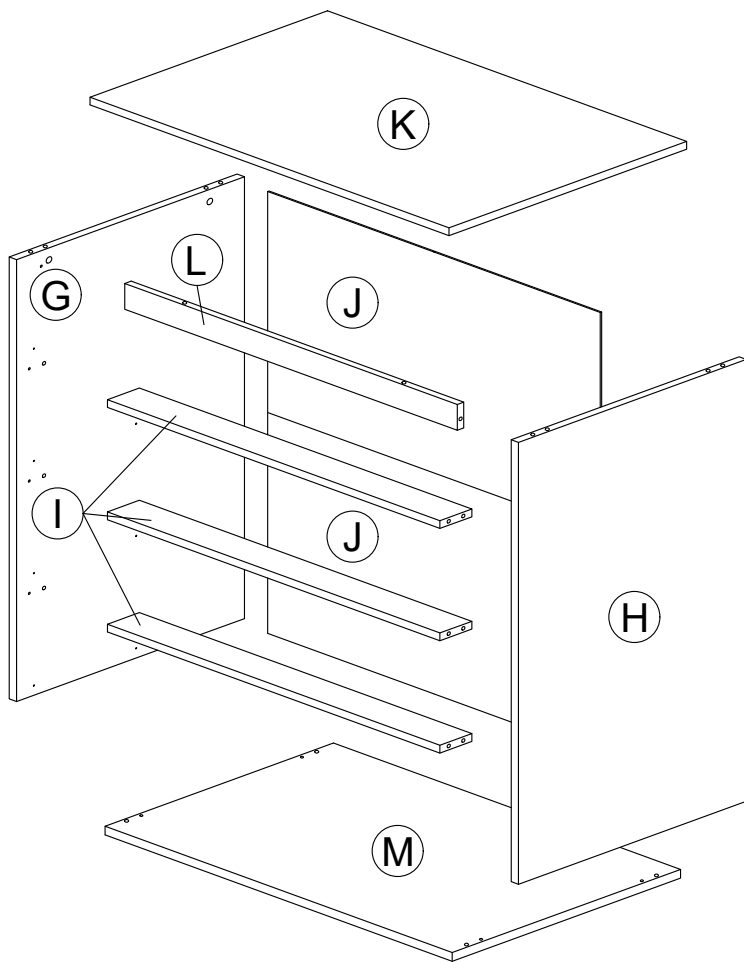
# ASSEMBLY INSTRUCTION

DC 37

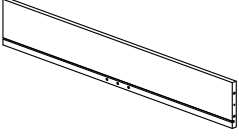
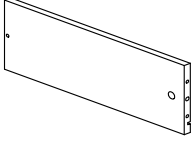
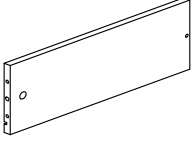
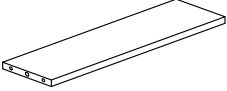
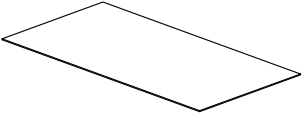
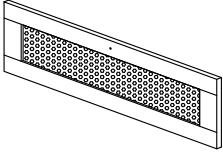


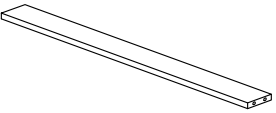
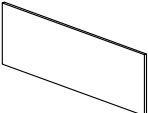
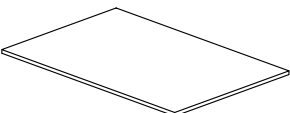
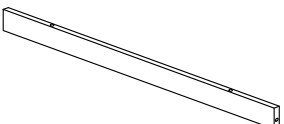
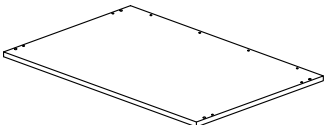
4 Drawers









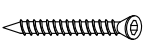






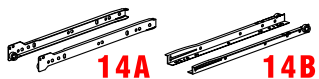
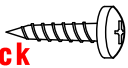
# ASSEMBLY INSTRUCTION



# ASSEMBLY INSTRUCTION

PART LIST			
<p style="text-align: center;"><b>A</b></p>  <p style="text-align: center;">Drawer Back 4 PCS</p>	<p style="text-align: center;"><b>B</b></p>  <p style="text-align: center;">Drawer Side L 4 PCS</p>	<p style="text-align: center;"><b>C</b></p>  <p style="text-align: center;">Drawer Side R 4 PCS</p>	<p style="text-align: center;"><b>D</b></p>  <p style="text-align: center;">Drawer Support 4 PCS</p>
<p style="text-align: center;"><b>E</b></p>  <p style="text-align: center;">Drawer Panel 4 PCS</p>	<p style="text-align: center;"><b>F</b></p>  <p style="text-align: center;">Drawer Head 4 PCS</p>	<p style="text-align: center;"><b>G</b></p>  <p style="text-align: center;">Side Panel L 1 PC</p>	<p style="text-align: center;"><b>H</b></p>  <p style="text-align: center;">Side Panel R 1 PC</p>
<p style="text-align: center;"><b>I</b></p>  <p style="text-align: center;">Middle Support 3 PCS</p>	<p style="text-align: center;"><b>J</b></p>  <p style="text-align: center;">Back Panel L/R 2 PCS</p>	<p style="text-align: center;"><b>K</b></p>  <p style="text-align: center;">Top Panel 1 PC</p>	<p style="text-align: center;"><b>L</b></p>  <p style="text-align: center;">LVL Front Support 1 PC</p>
<p style="text-align: center;"><b>M</b></p>  <p style="text-align: center;">Bottom Panel 1 PC</p>			

# ASSEMBLY INSTRUCTION

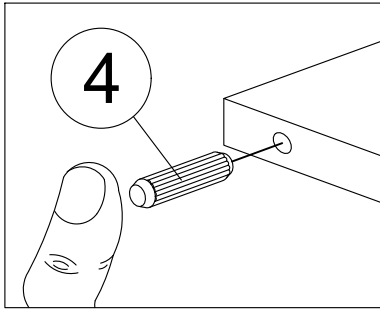
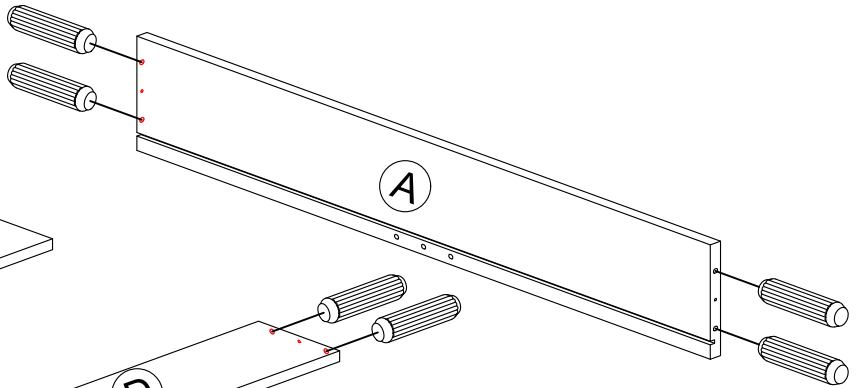
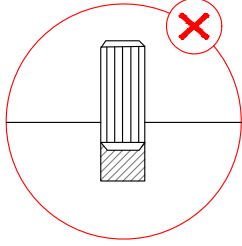
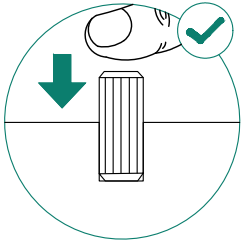
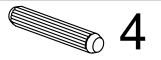
HARDWARE LIST			
<p>1</p>  <p>Camlock 15MM 26 PCS</p>	<p>2</p>  <p>Camlock Bolt 15MM 26 PCS</p>	<p>3</p>  <p>M8x25MM Wood Dowel 14 PCS</p>	<p>4</p>  <p>M6x30MM Wood Dowel 48 PCS</p>
<p>5</p>  <p>CB Screw M3.5x16MM 16 PCS</p>	<p>6</p>  <p>M4x38MM Screw 12 PCS</p>	<p>7</p>  <p>Csk M6x50MM 4 PCS</p>	<p>8</p>  <p>Handle Screw M4x25MM 4 PCS</p>
<p>9</p>  <p>Metal Handle C 4 PCS</p>	<p>10</p>  <p>M4 Allen Key 1 PC</p>	<p>11</p>  <p>Metal Leg 4 PCS</p>	<p>12</p>  <p>Nail 5/8 25 PCS</p>
<p>13</p>  <p>CB Screw M3.5x12MM 48 PCS</p>	<p>14</p>  <p><b>14A</b> <b>14B</b> Drawer Slide 12" 4 SETS</p>	<p>15</p>  <p><b>Black</b> P/H Screw M4x20MM 4 PCS</p>	

# ASSEMBLY INSTRUCTION

## Step 1

Required/Requis/Requerido

x48

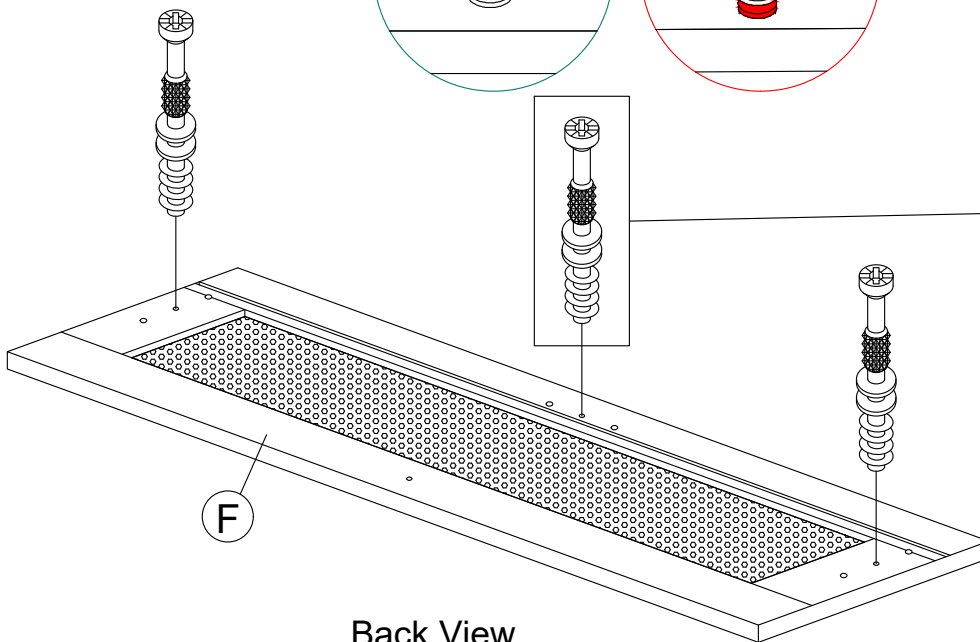
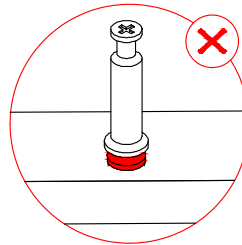
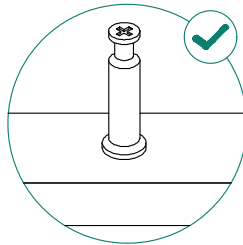


x4

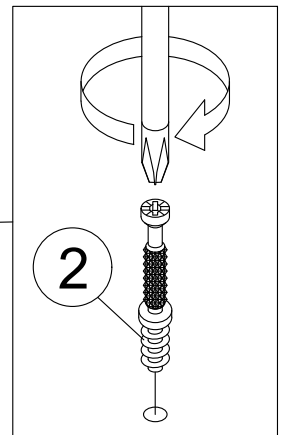
## Step 2

Required/Requis/Requerido

x12



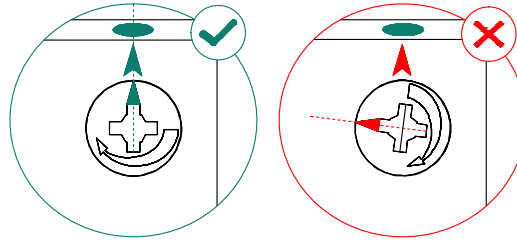
Back View



x4

# ASSEMBLY INSTRUCTION

## Step 3

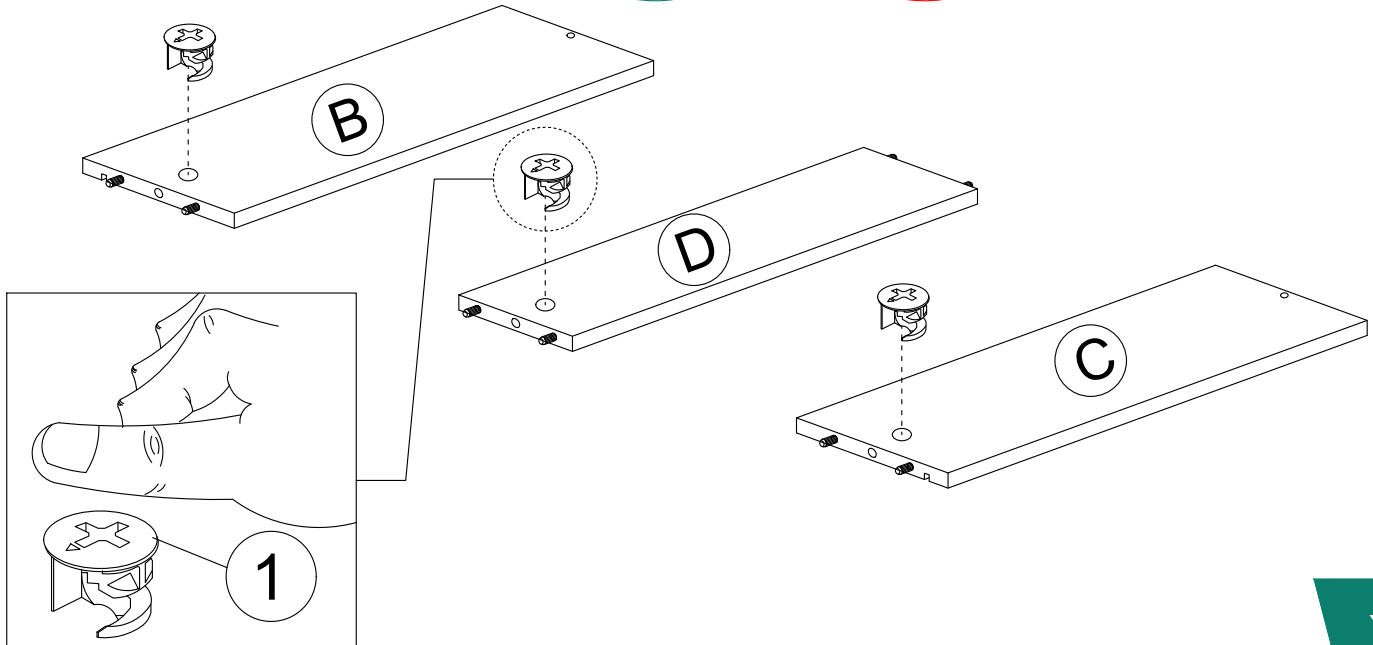


Required/Requis/Requerido

x12



1



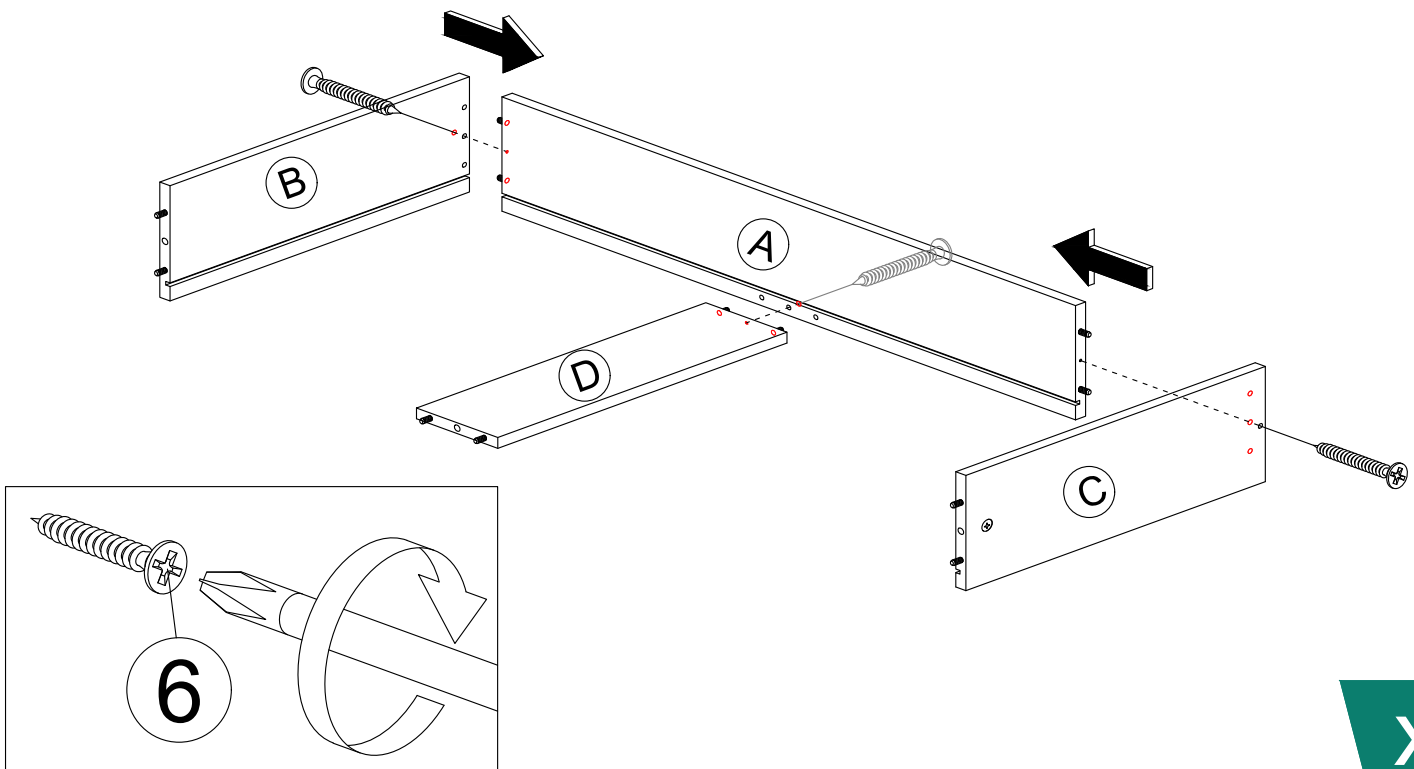
## Step 4

Required/Requis/Requerido

x12

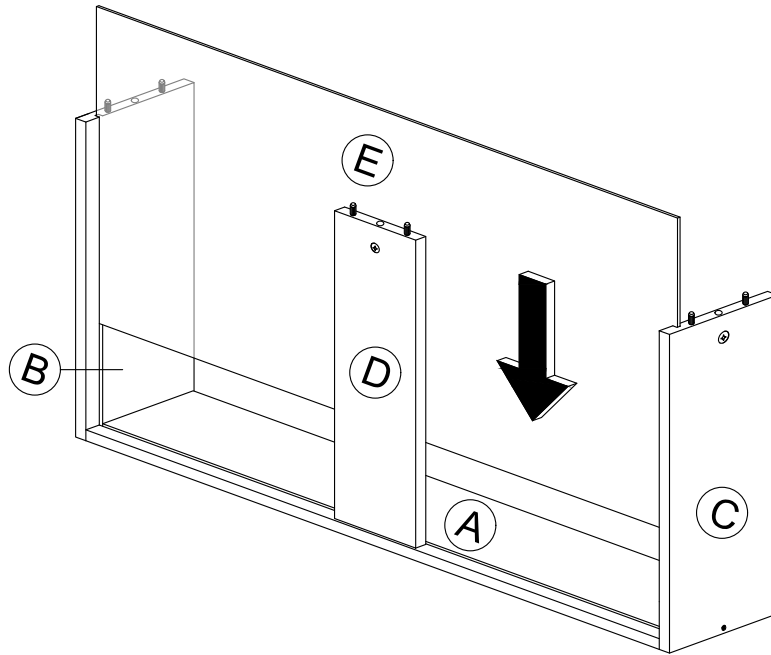


6



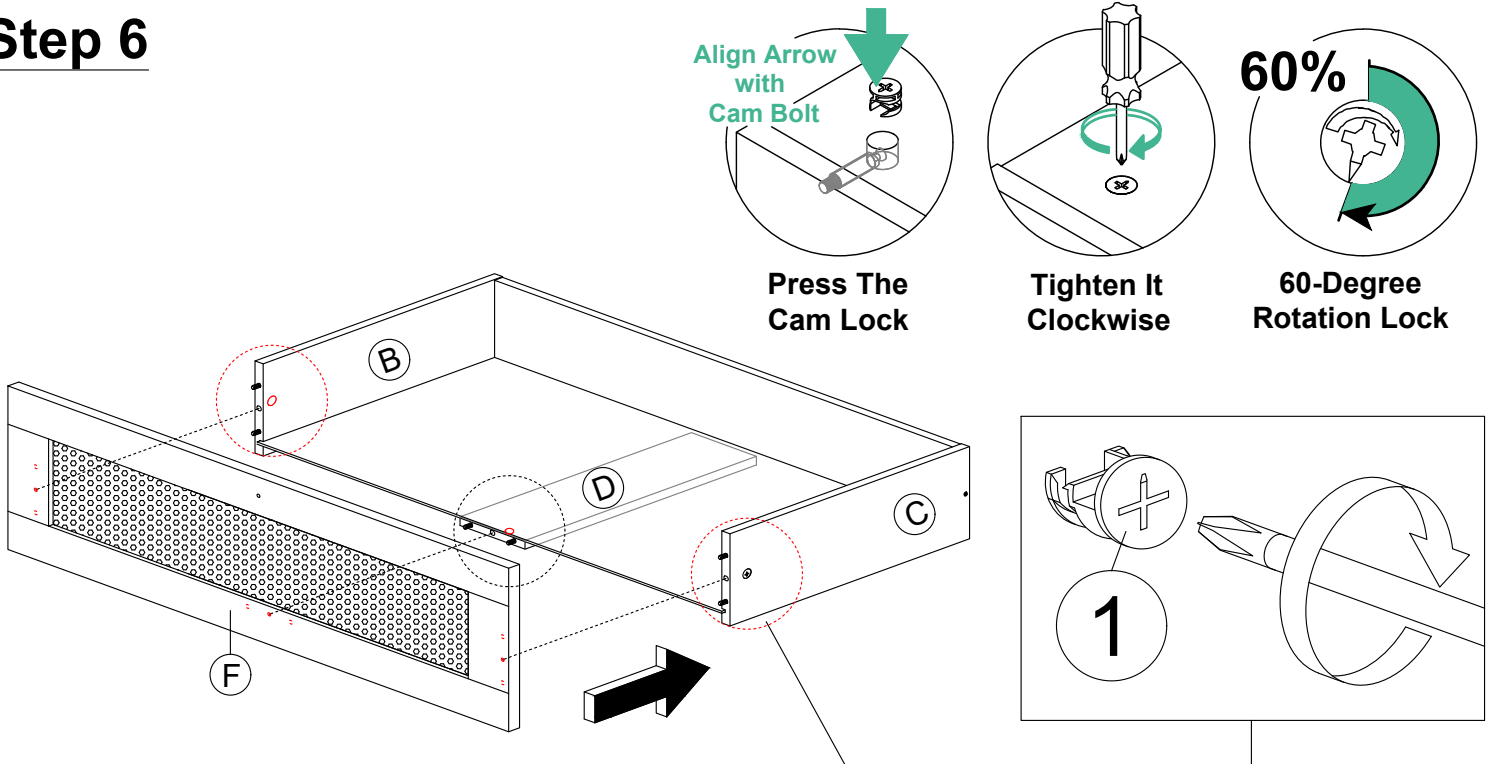
# ASSEMBLY INSTRUCTION

## Step 5



x4

## Step 6




x4

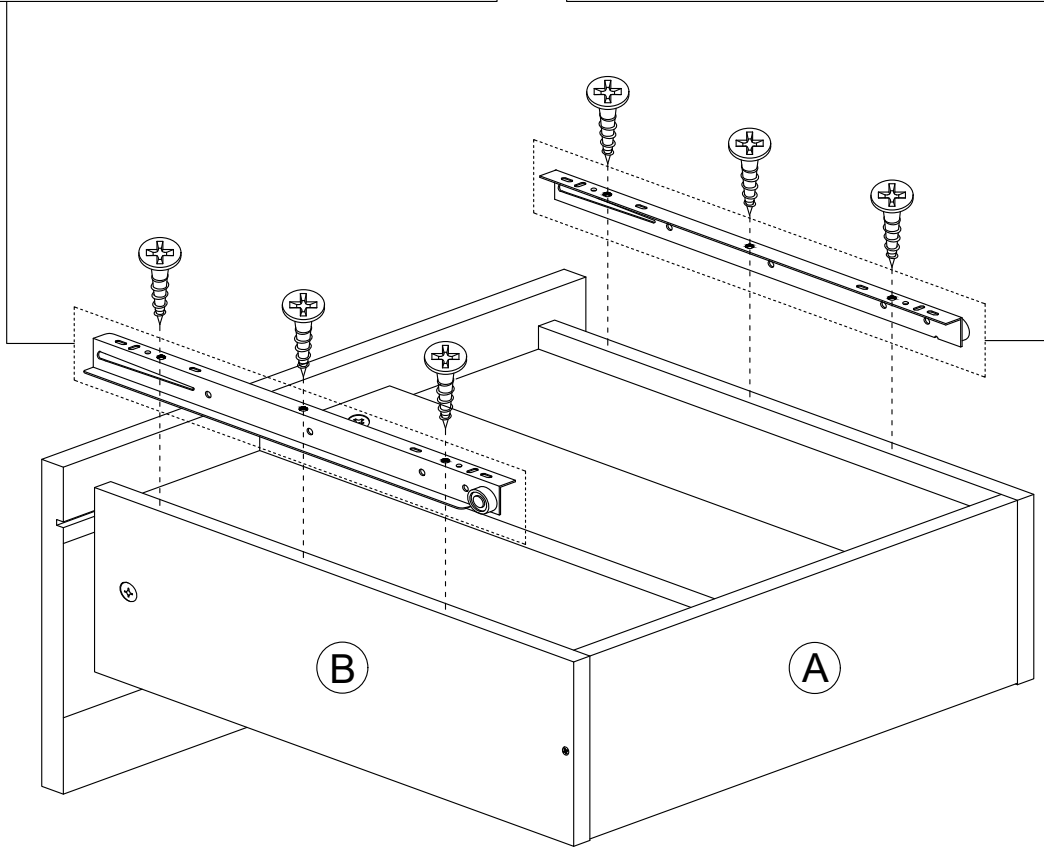
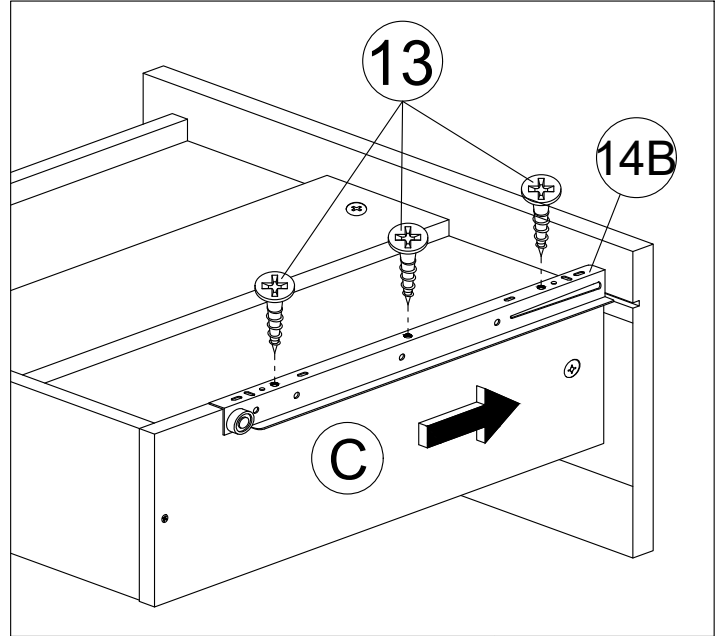
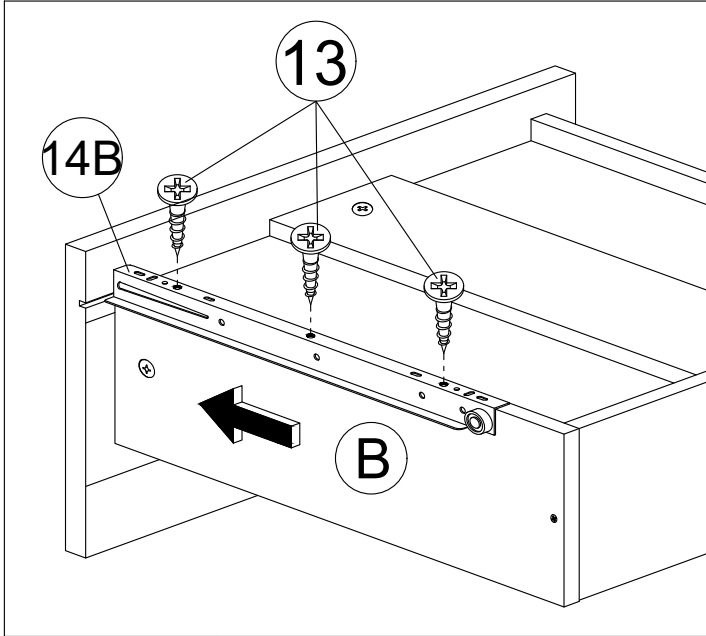
# ASSEMBLY INSTRUCTION

## Step 7

Required/Requis/Requerido

x24  13

x4  14B



Bottom View


x4

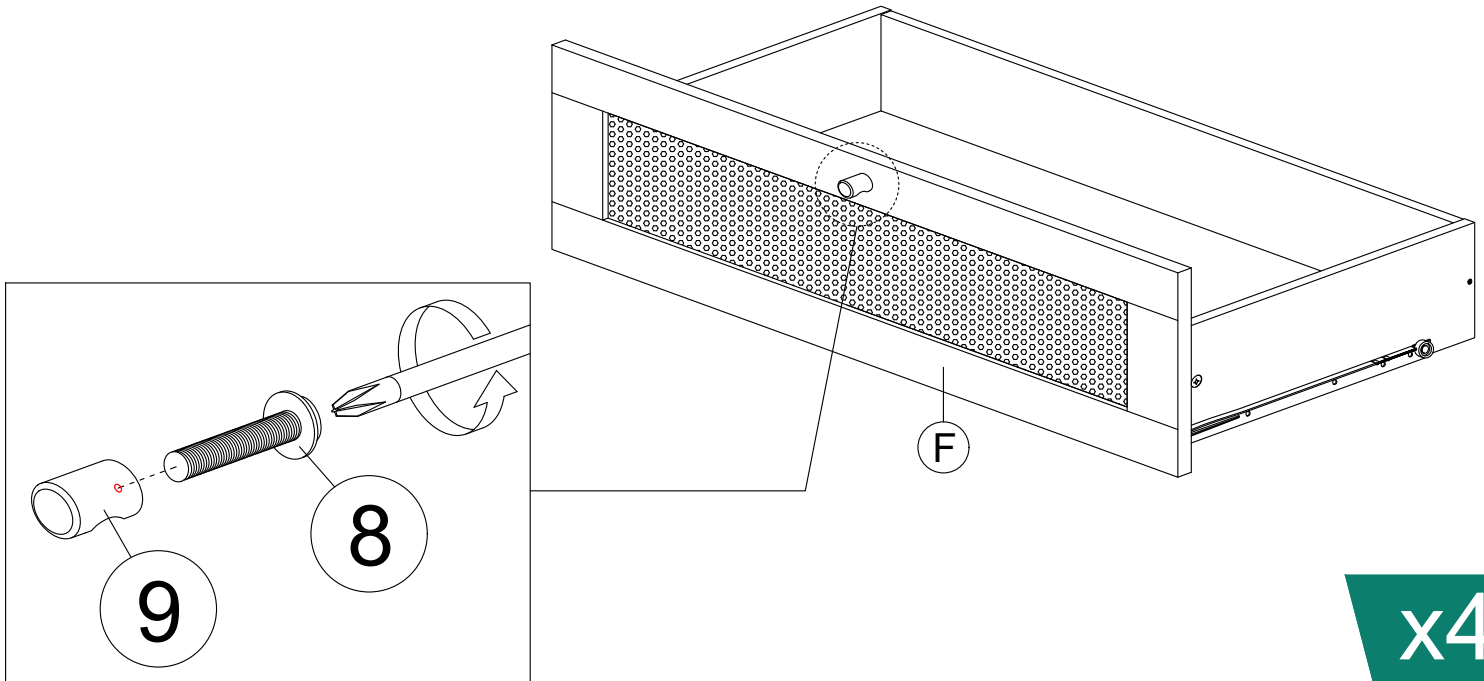
# ASSEMBLY INSTRUCTION

## Step 8

Required/Requis/Requerido

x4  9

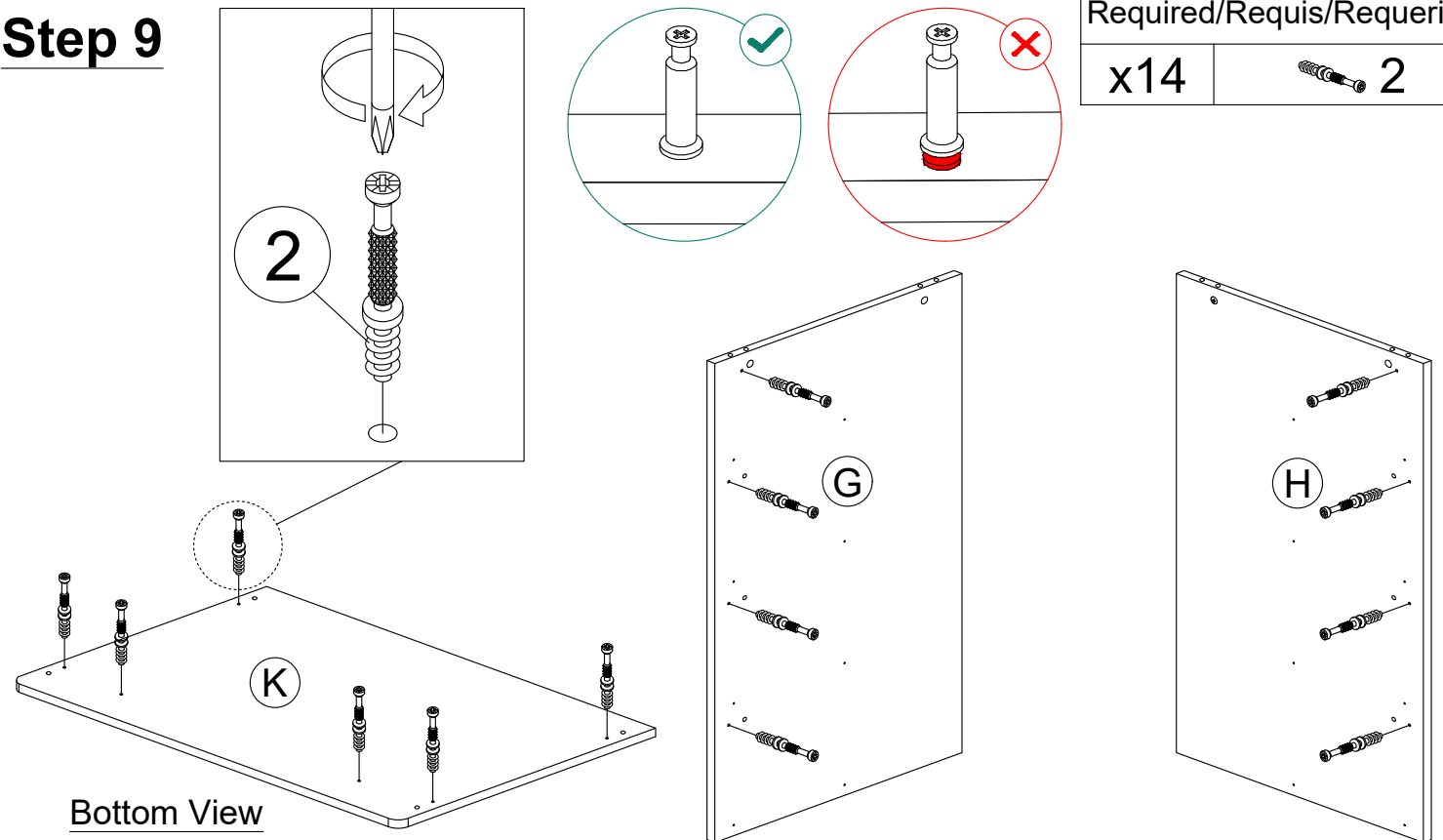
x4  8



## Step 9

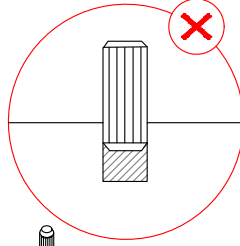
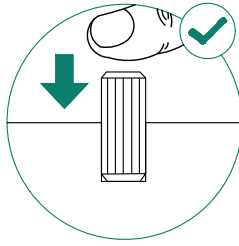
Required/Requis/Requerido

x14  2



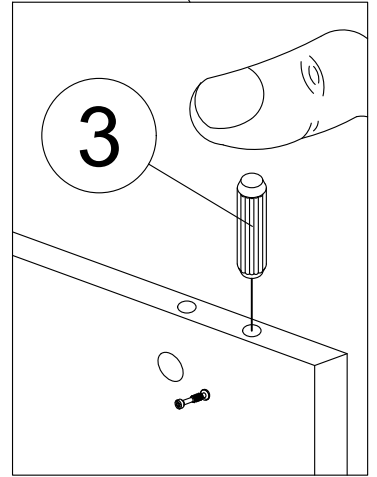
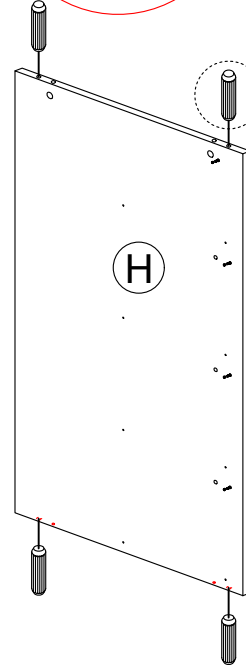
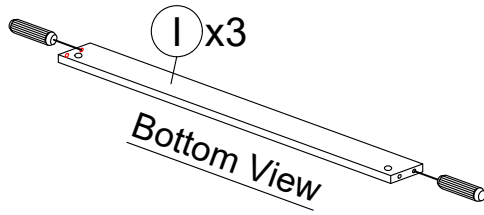
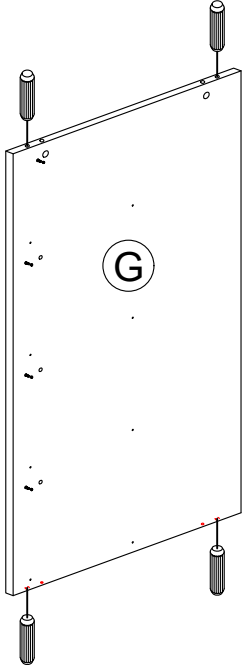
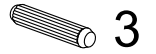
# ASSEMBLY INSTRUCTION

## Step 10

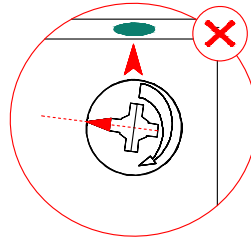
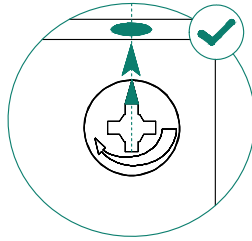


Required/Requis/Requerido

x14

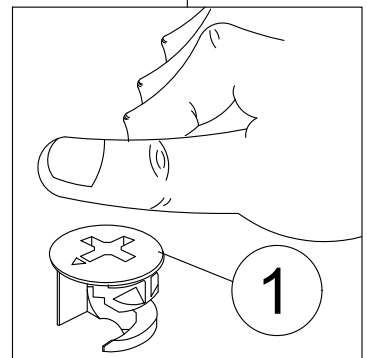
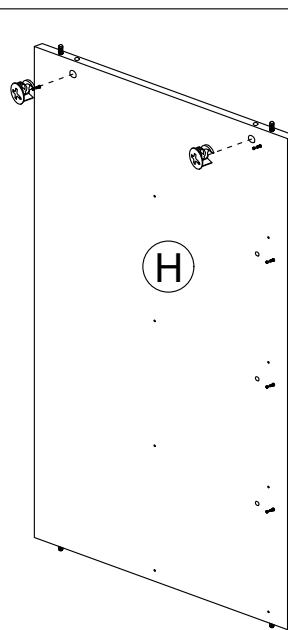
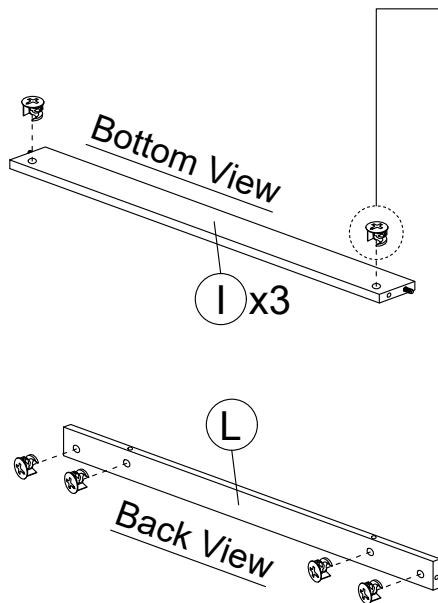
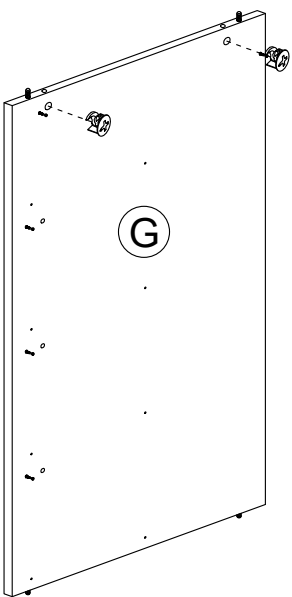


## Step 11



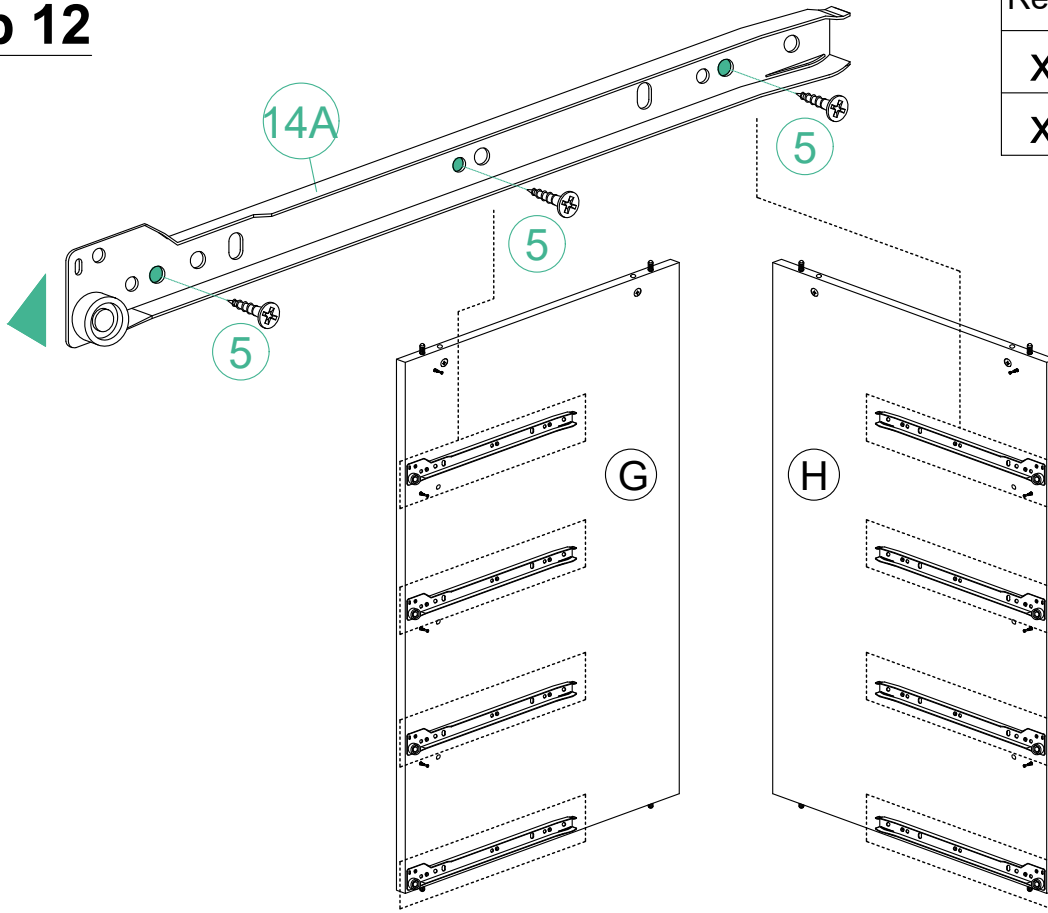
Required/Requis/Requerido

x14





# ASSEMBLY INSTRUCTION

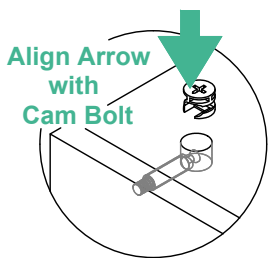
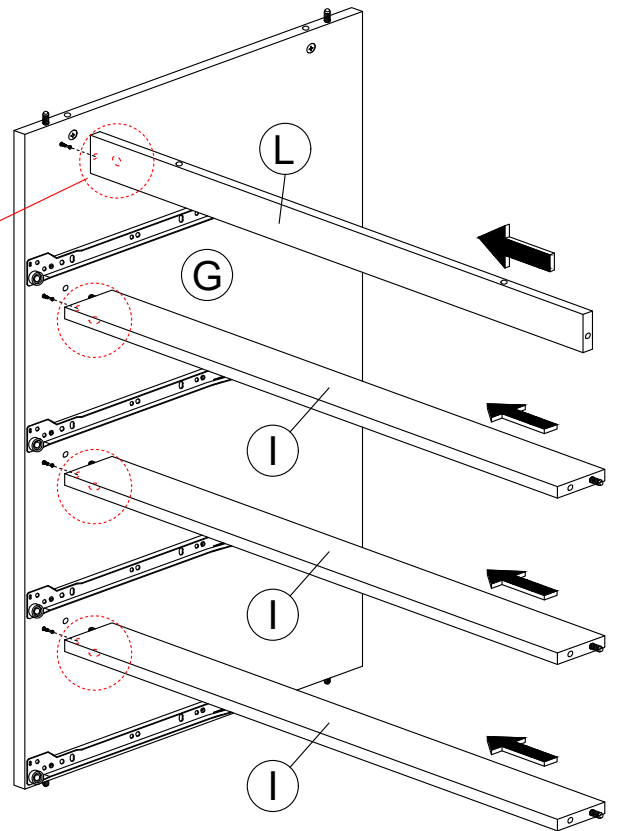
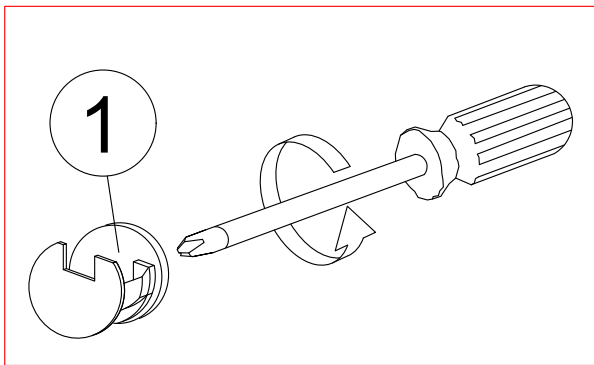
## Step 12



Required/Requis/Requerido

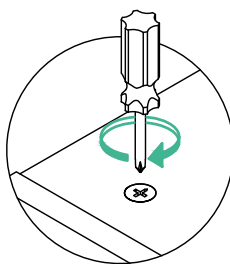
x24	 13
x4	 14A

## Step 13

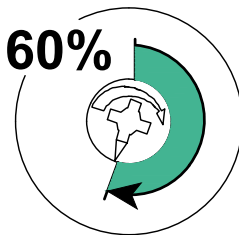


Align Arrow with Cam Bolt

Press The Cam Lock



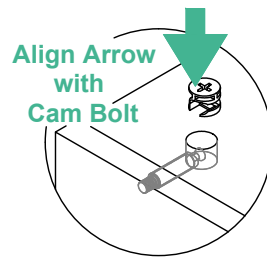
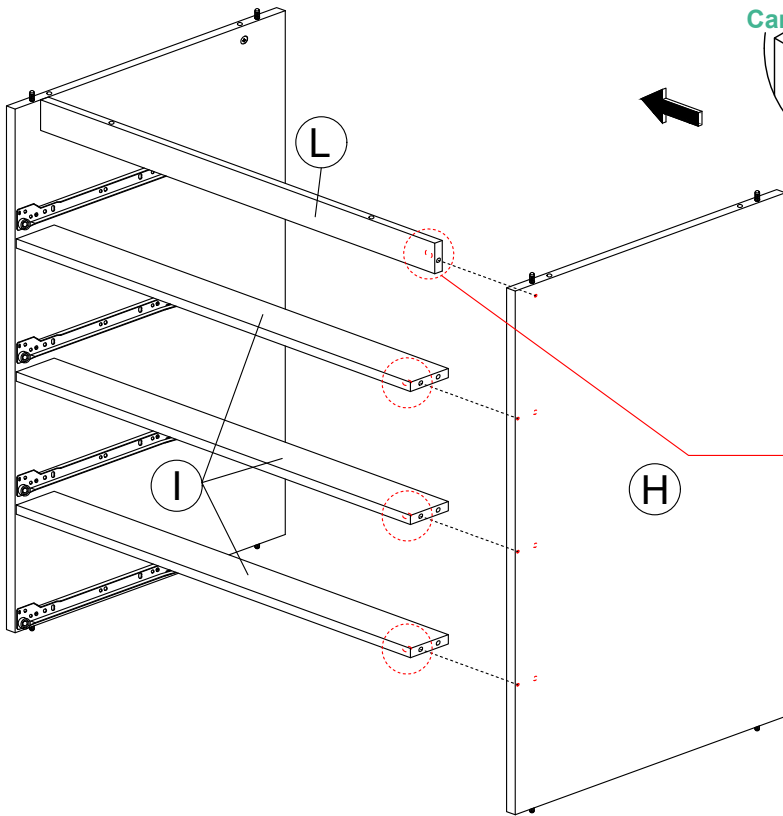
Tighten It Clockwise



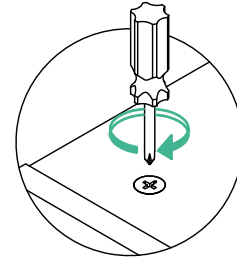
60%  
60-Degree Rotation Lock

# ASSEMBLY INSTRUCTION

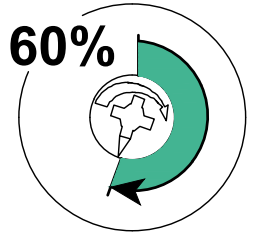
## Step 14



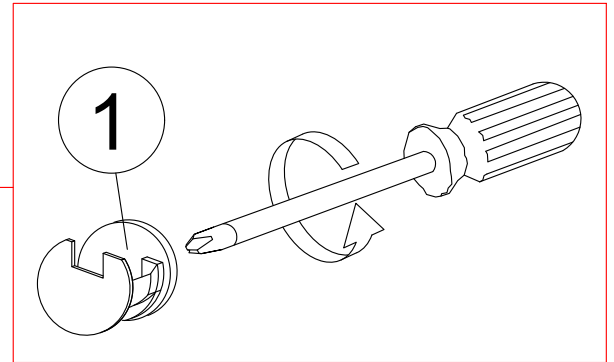
Press The Cam Lock



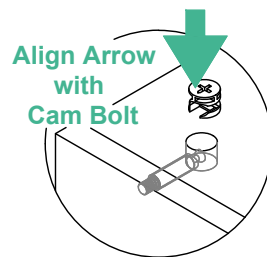
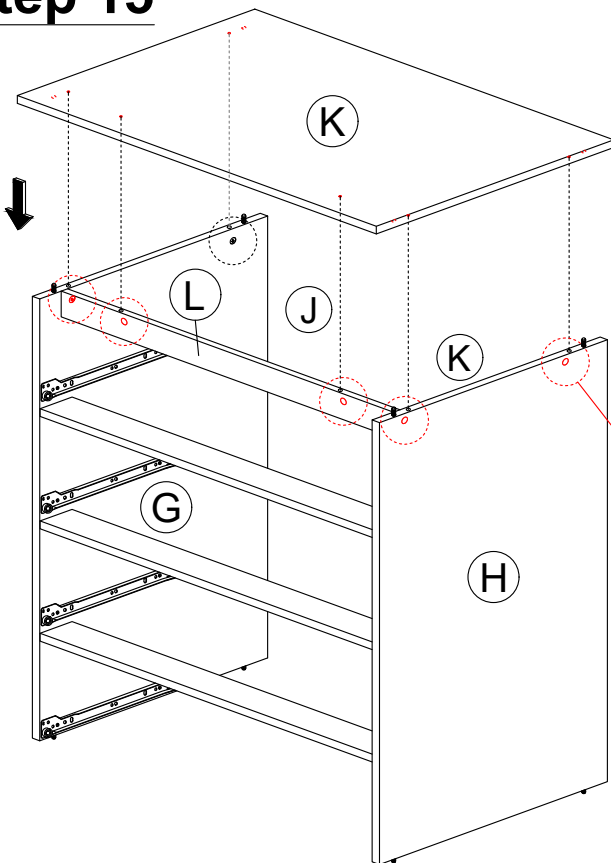
Tighten It Clockwise



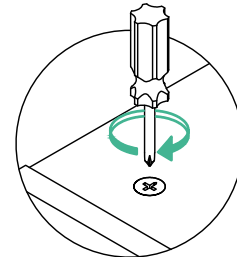
60-Degree Rotation Lock



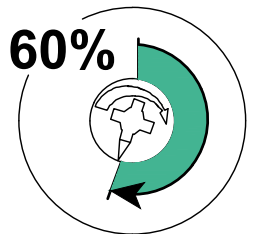
## Step 15



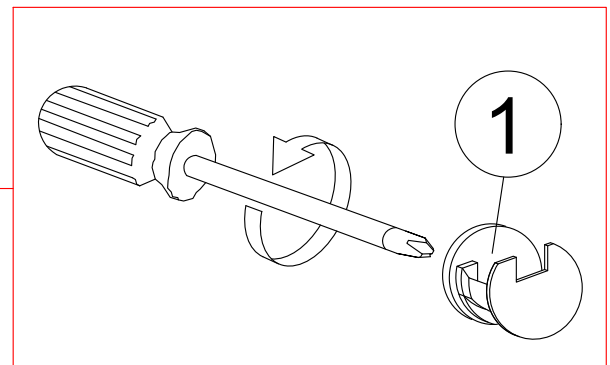
Press The Cam Lock



Tighten It Clockwise



60-Degree Rotation Lock




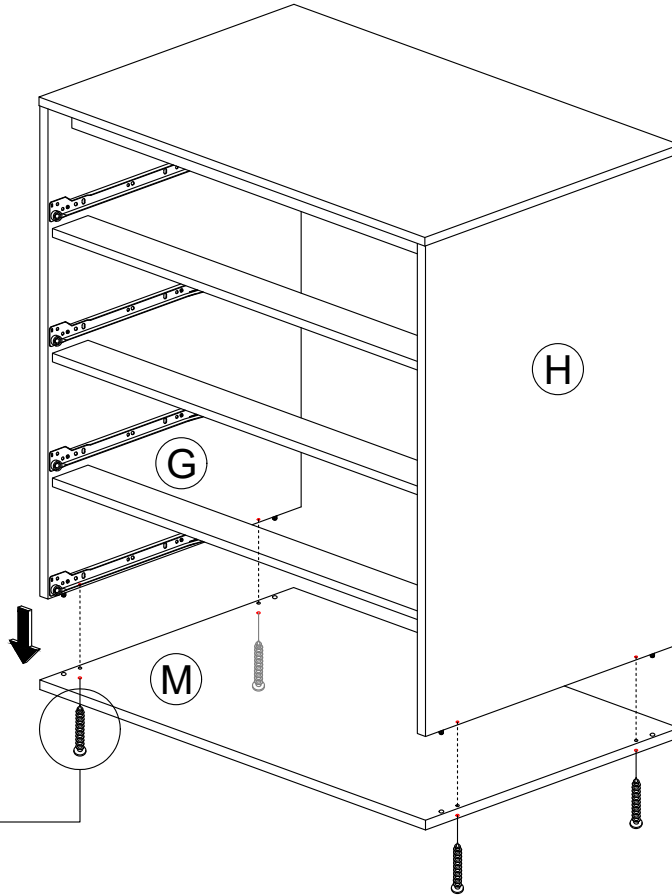
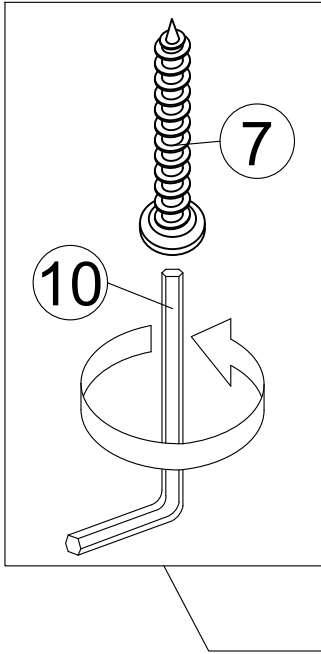
# ASSEMBLY INSTRUCTION

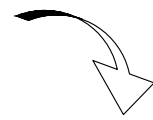
## Step 16

Required/Requis/Requerido

x1  10


x4  7

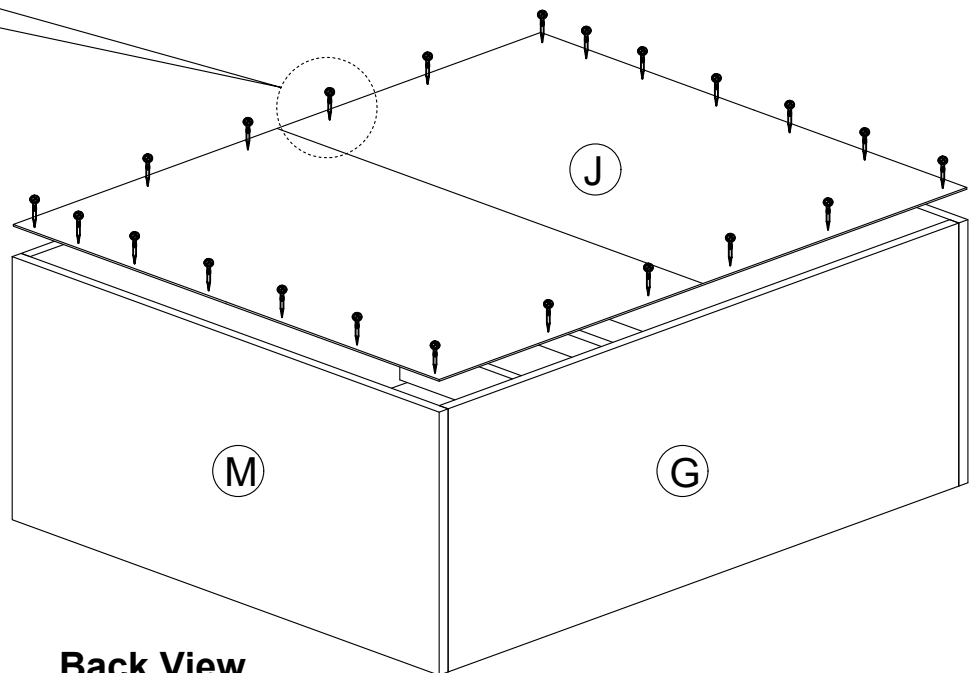
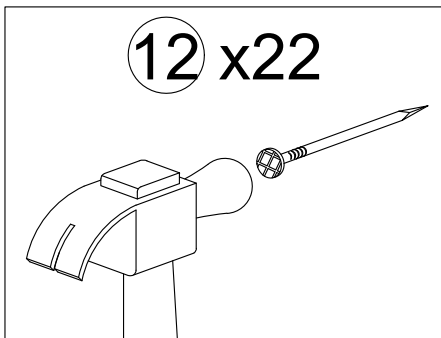


  
**Lie Down**  
**Before Screw**

## Step 17

Required/Requis/Requerido

x22  12



Back View

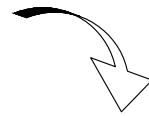
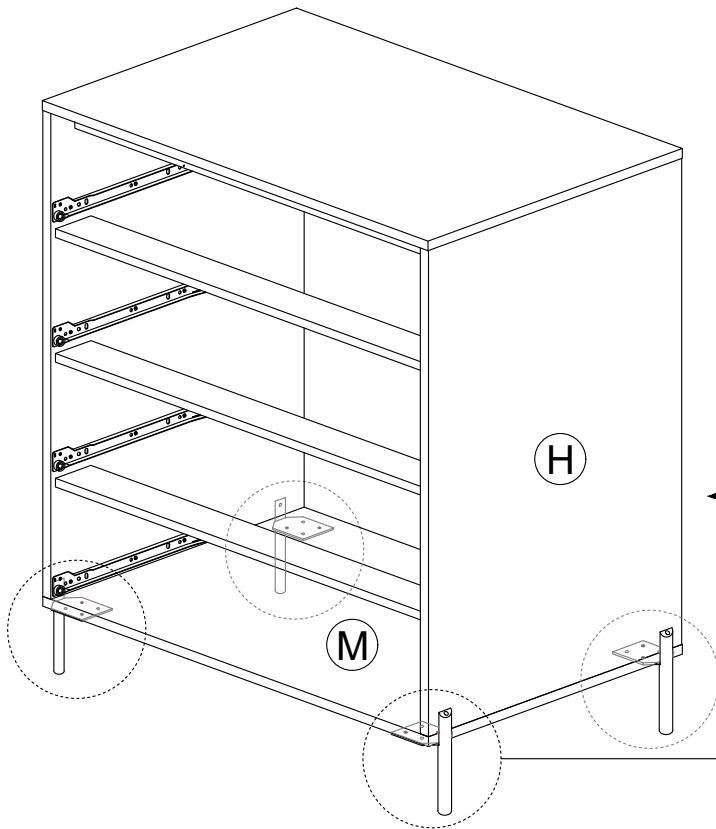
# ASSEMBLY INSTRUCTION

## Step 18

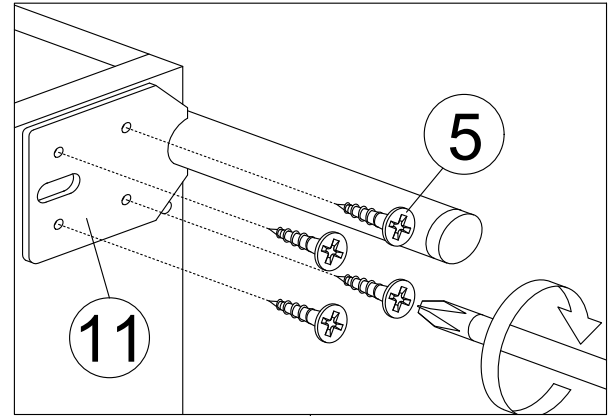
Required/Requis/Requerido

x16  5

x4  11

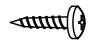


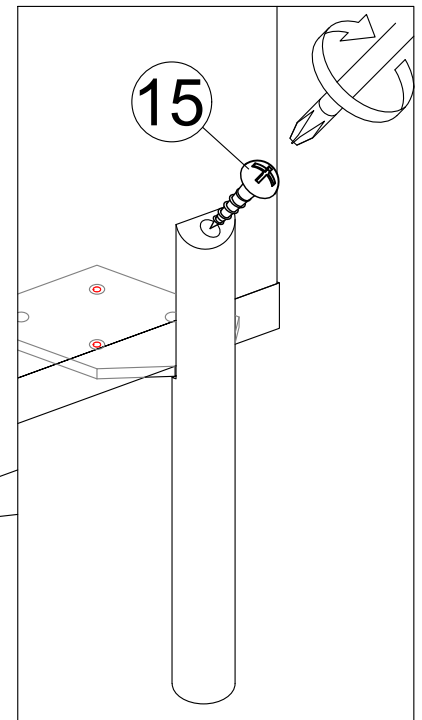
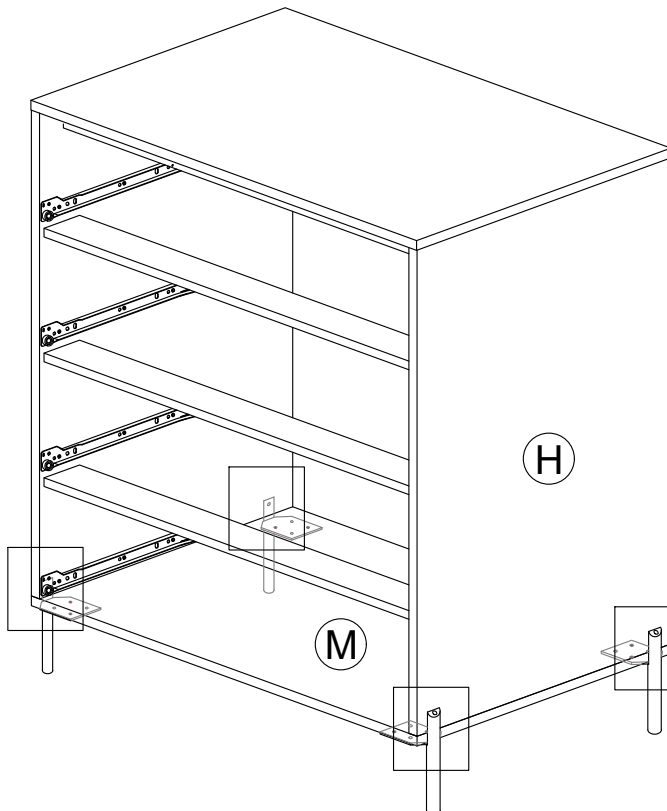
Lie Down  
Before Screw



## Step 19

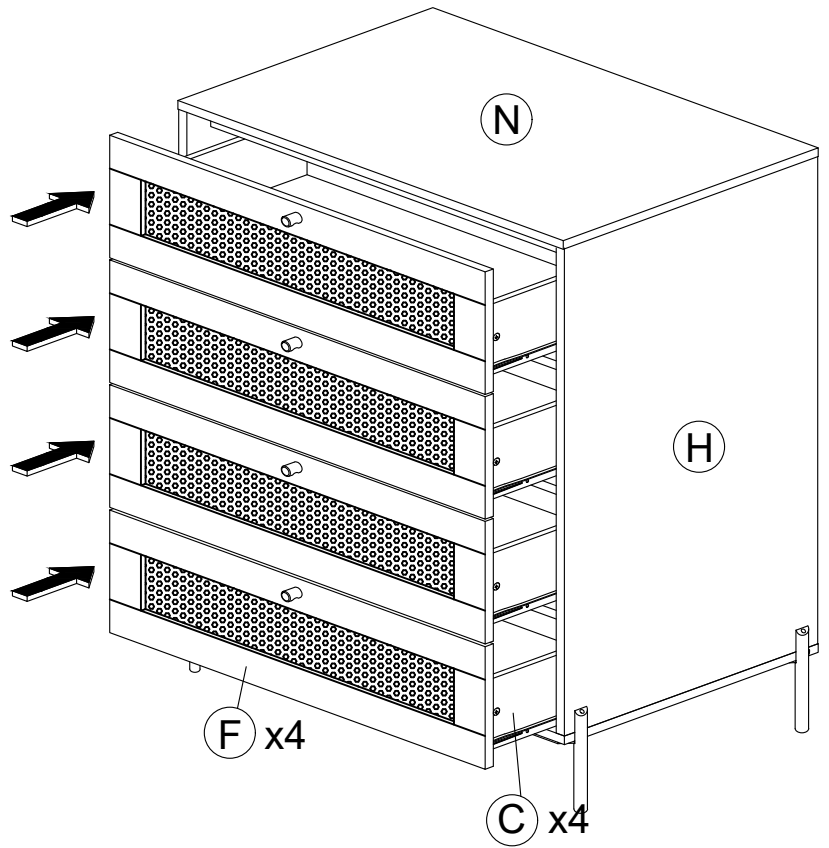
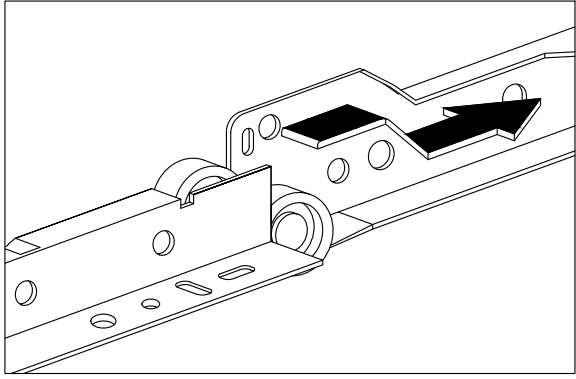
Required/Requis/Requerido

x4  15



# ASSEMBLY INSTRUCTION

## Step 20



## Completed

