





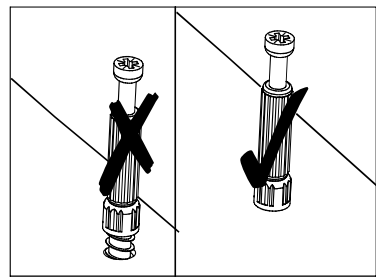
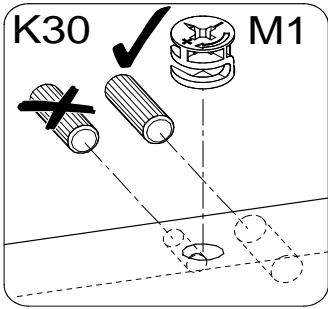
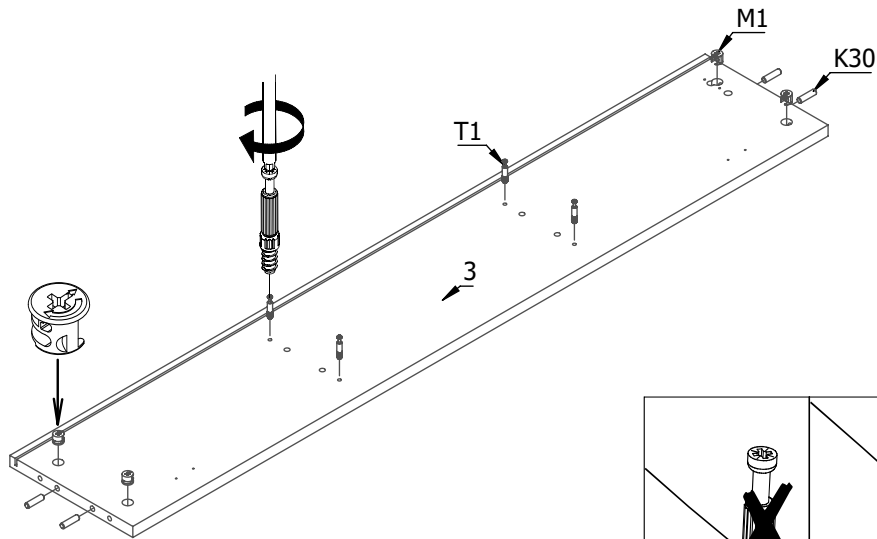
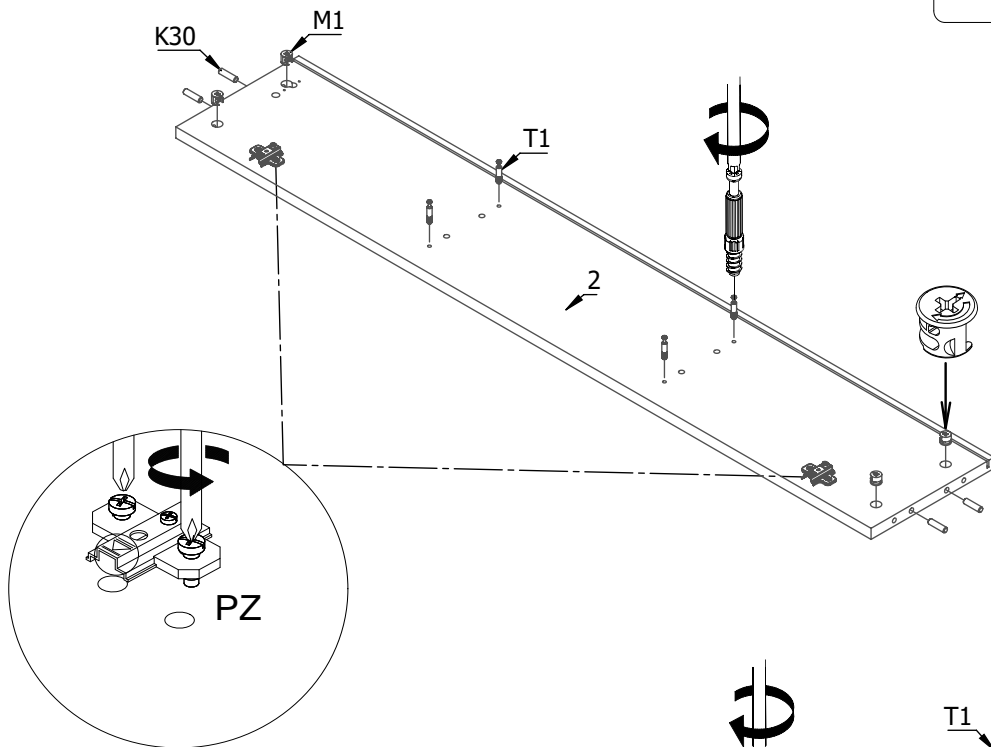
<p>10x80 KR 4</p>	<p>W3x13 2</p>	<p>X 16</p>	<p>ZP 2</p>	<p>PZ 2</p>	<p>STB 8</p>
<p>K30 16</p>	<p>T1 16</p>	<p>M1 16</p>	<p>CAM 2</p>	<p>ZA 2</p>	<p>W4x16 4</p>


K30

8


M1

8


T1

8

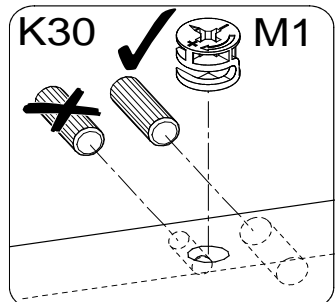
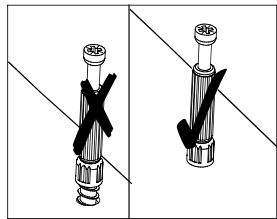
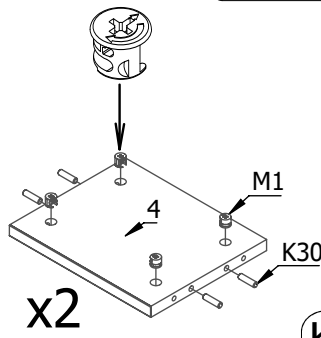
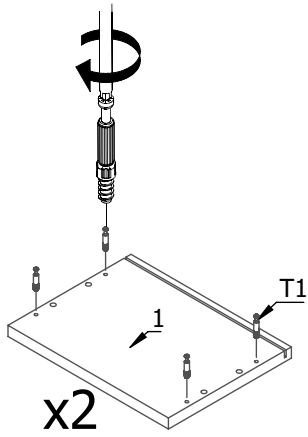
PZ

2





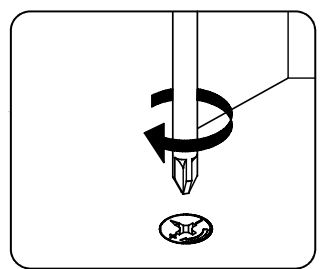
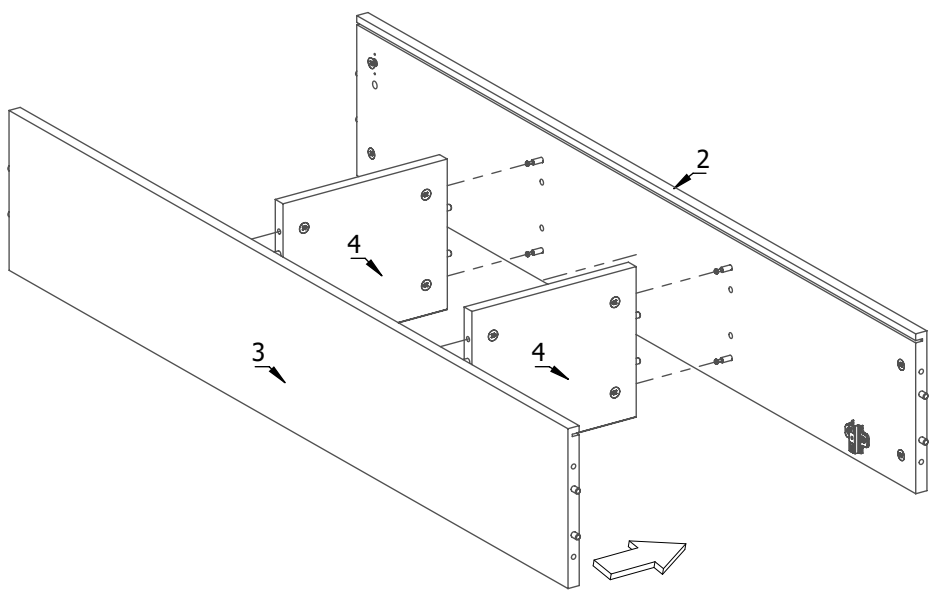
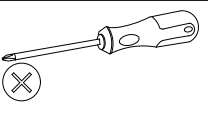
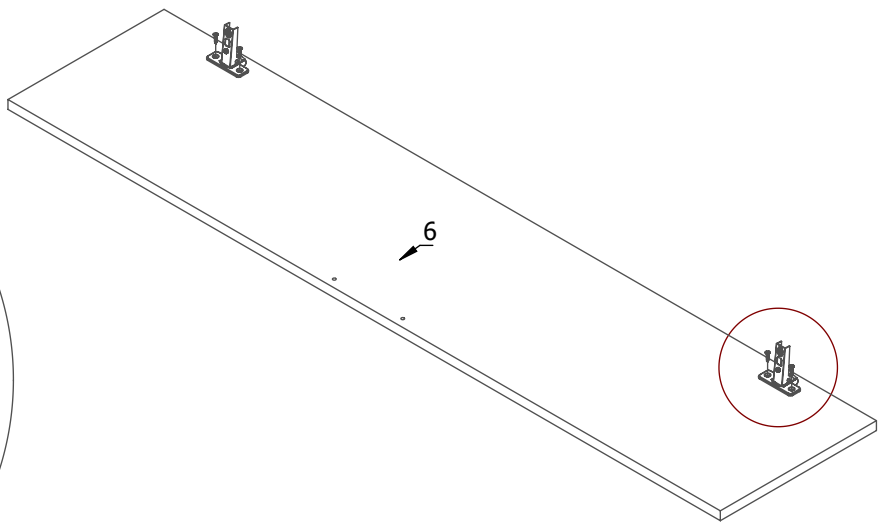
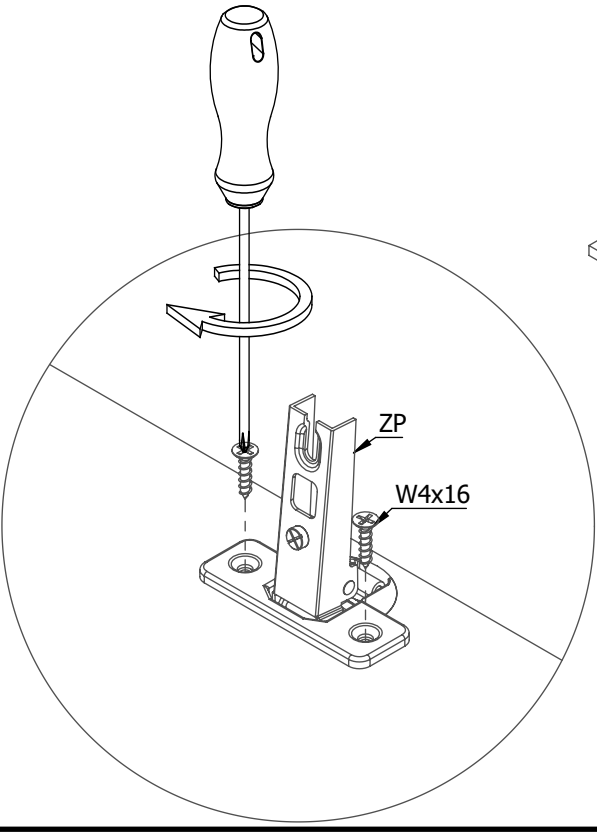
K30

8

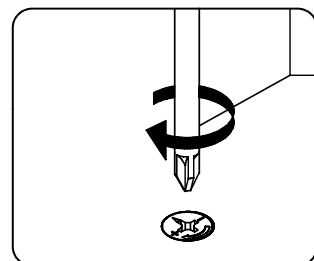
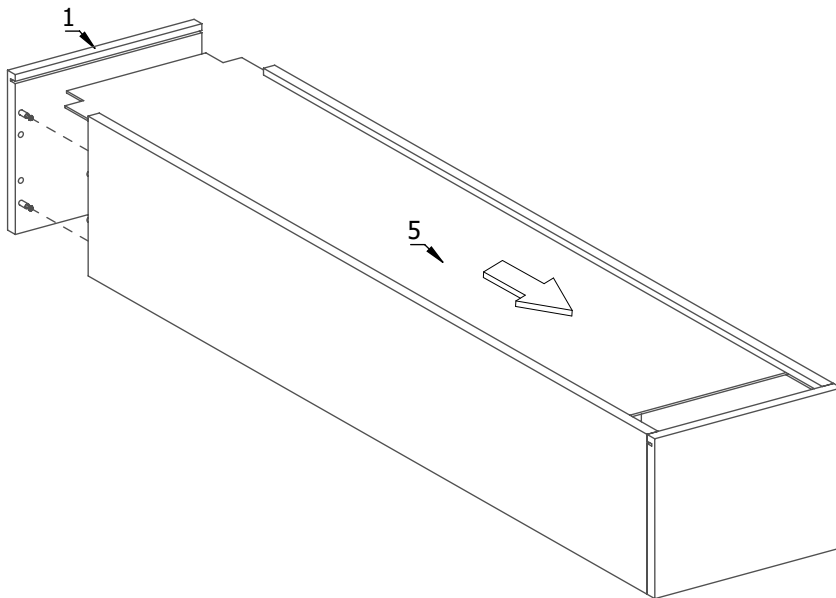
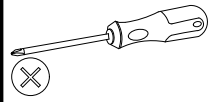
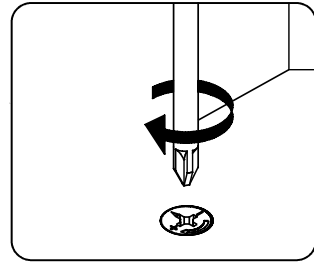
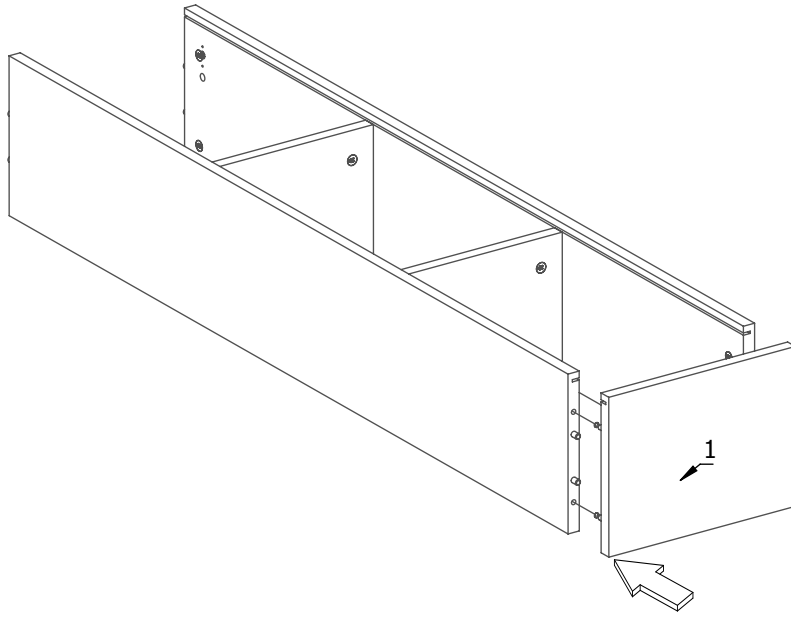
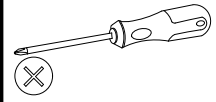
M1

8

T1

8



ZP	W4x16
	
2	4

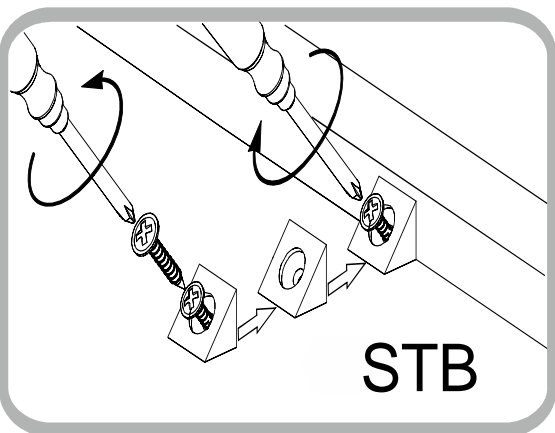
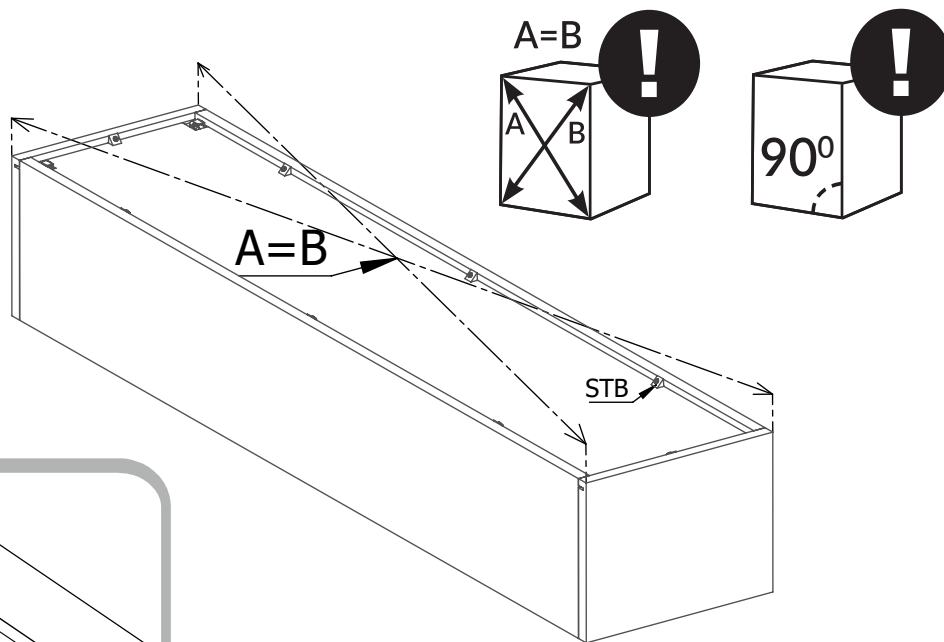






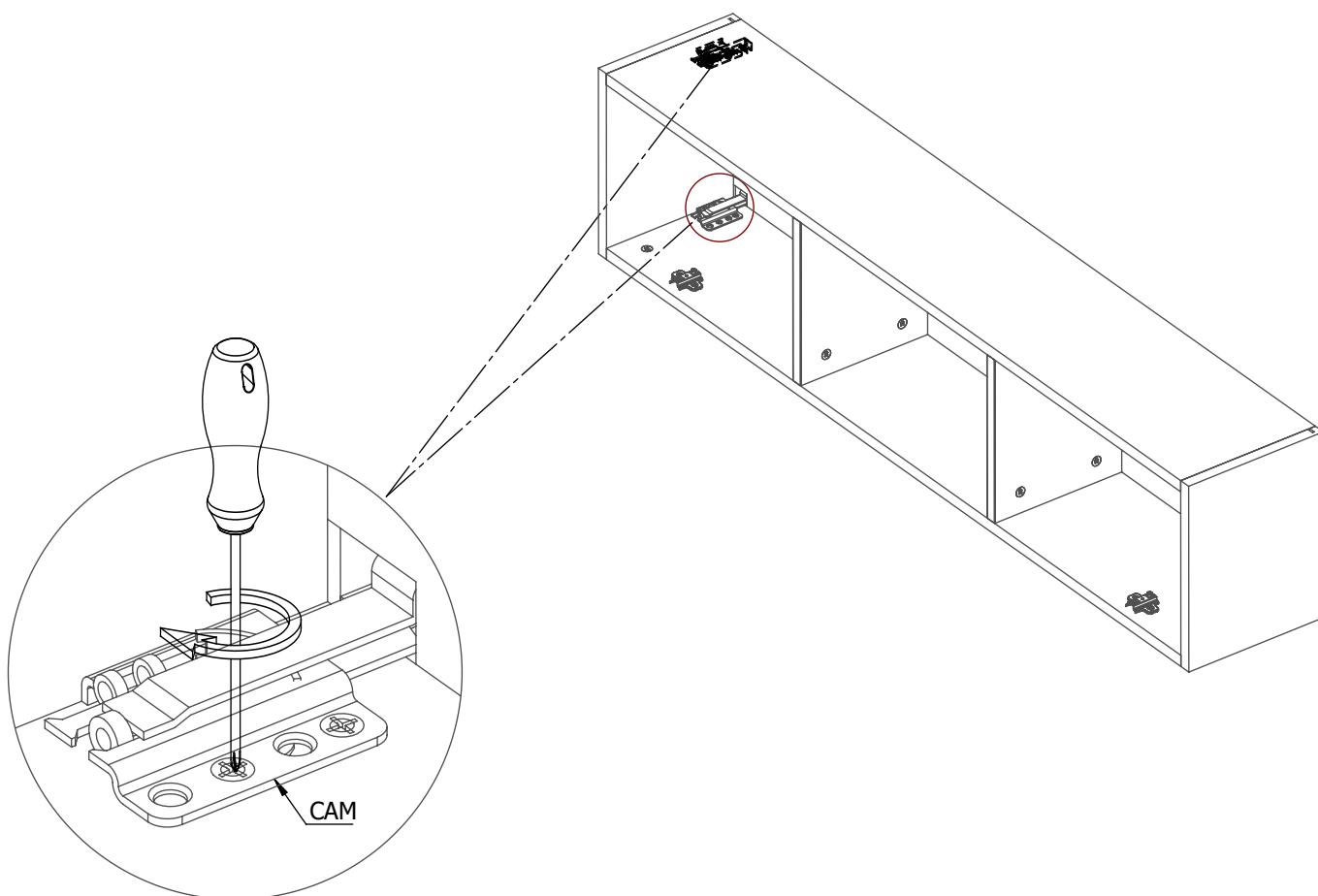
STB

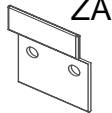

8

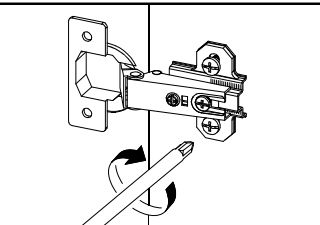
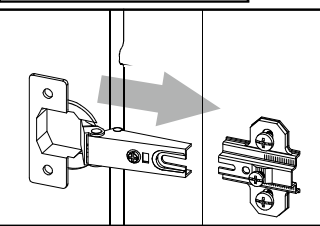
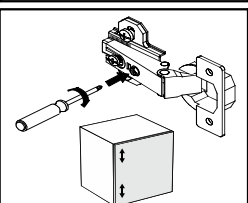
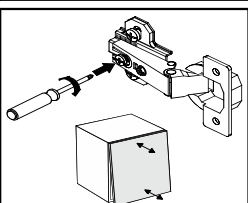
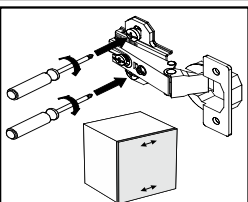
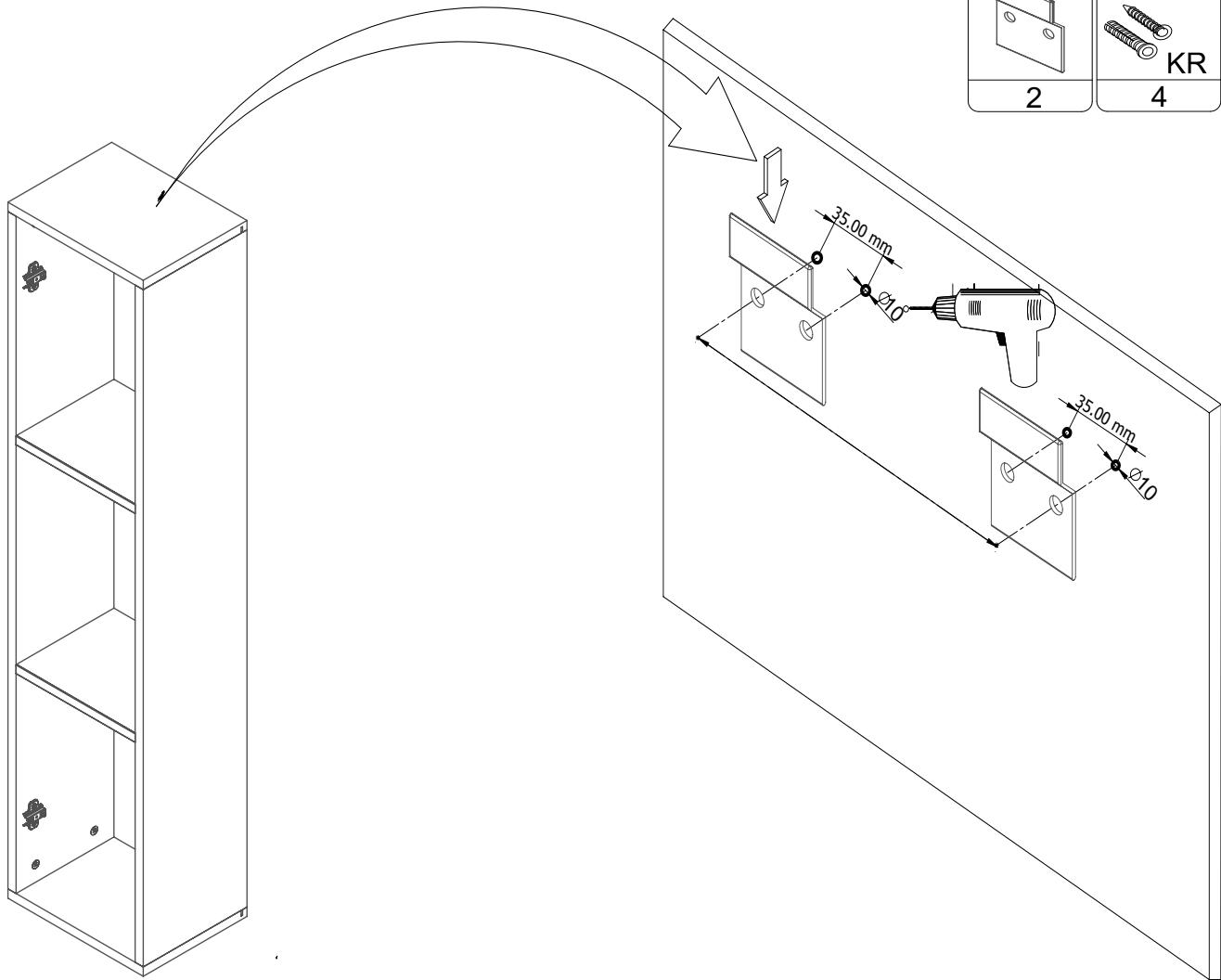



CAM

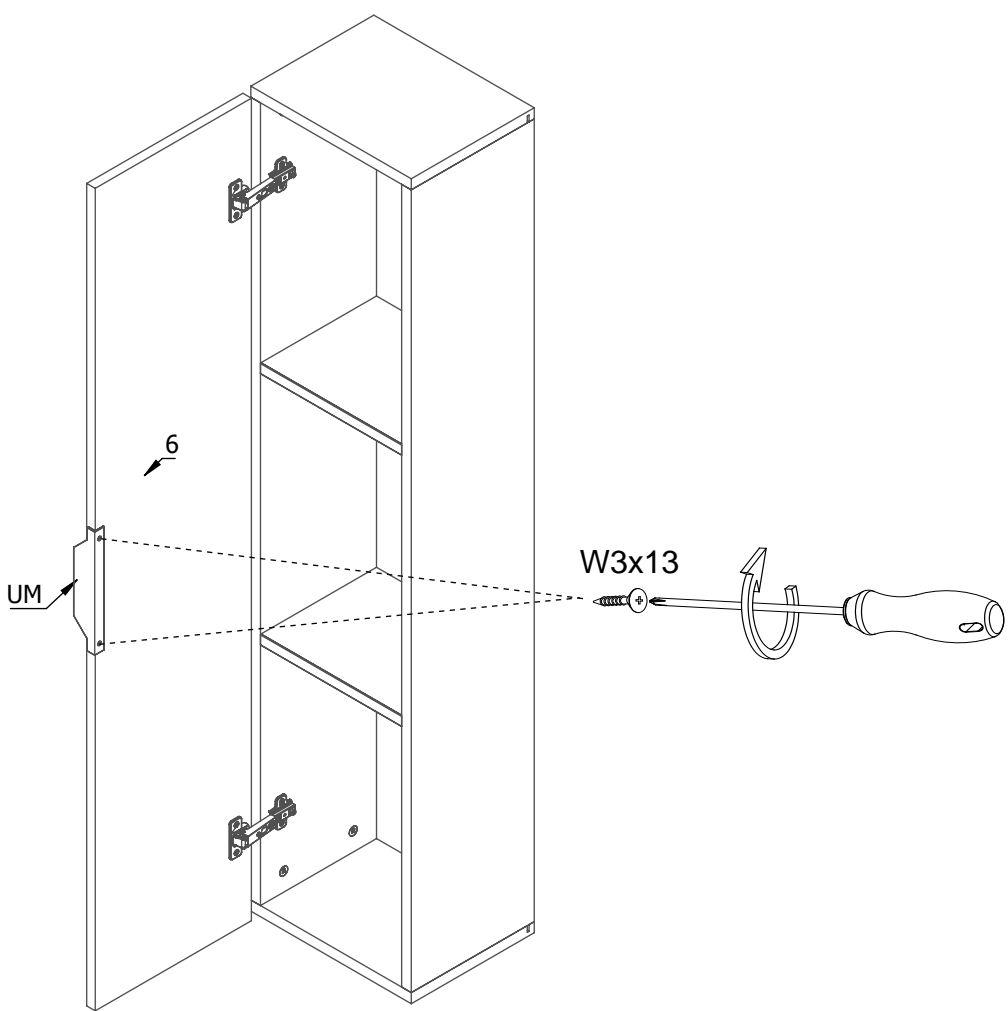
2



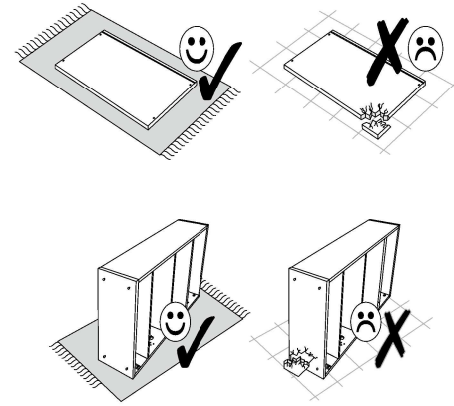
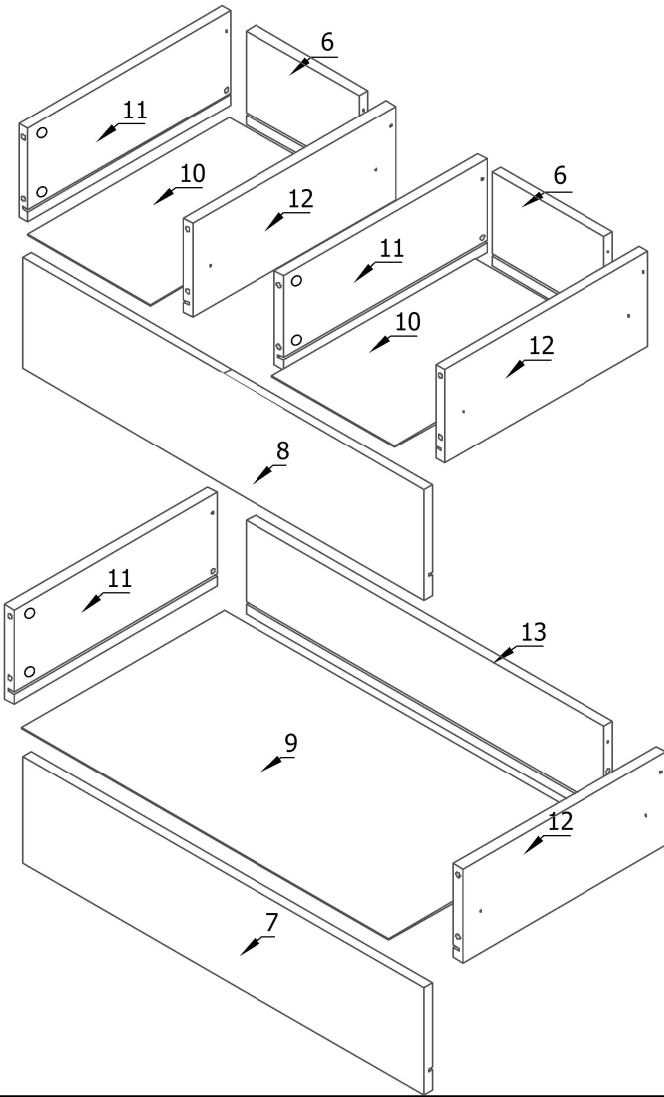
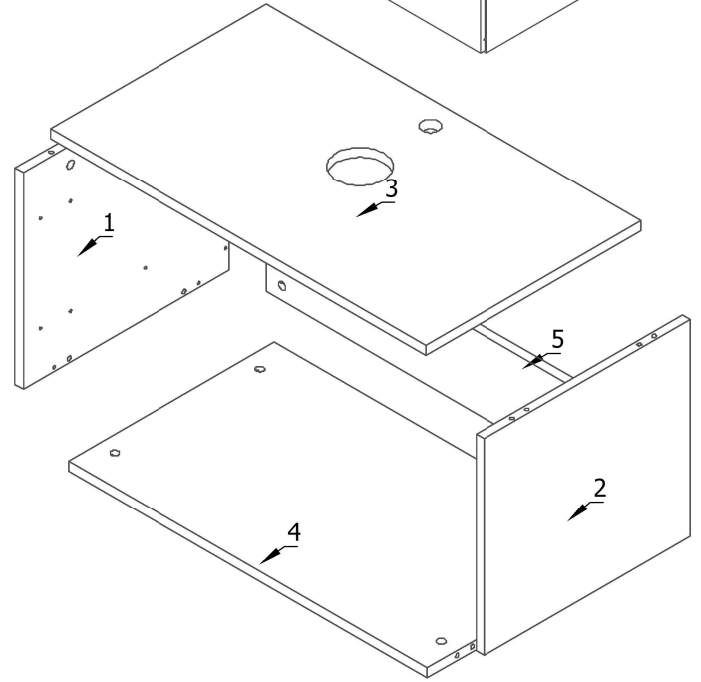
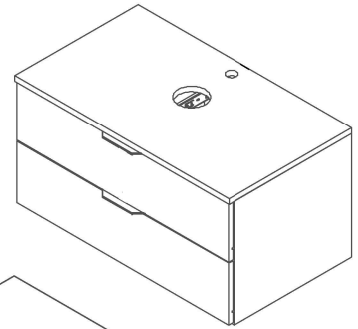
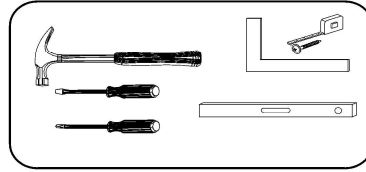
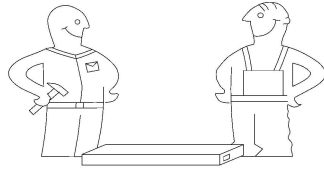
	ZA		Ø10x80
2		4	KR



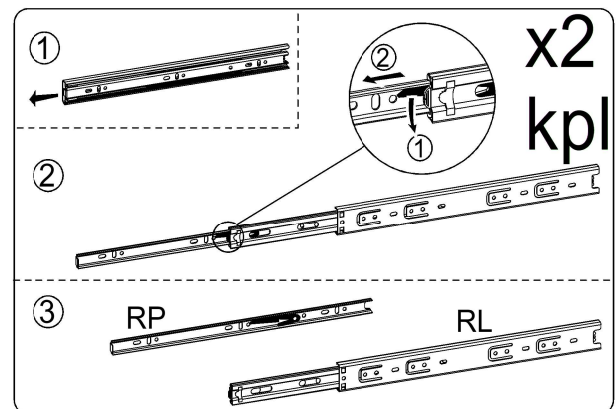
W3x13

2

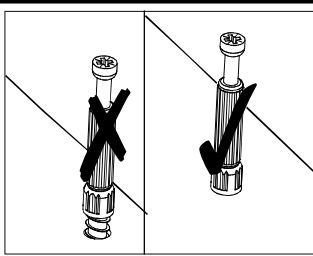


# MOGARES 80

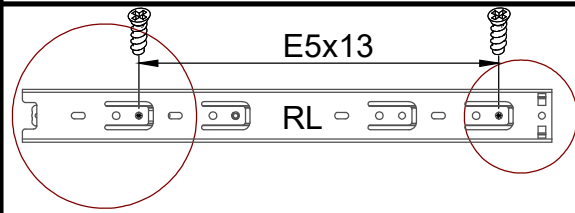
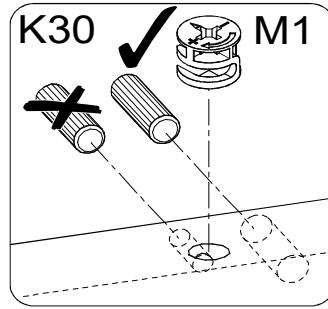
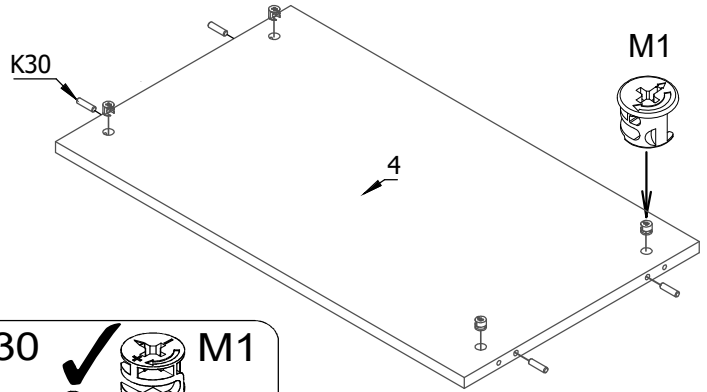
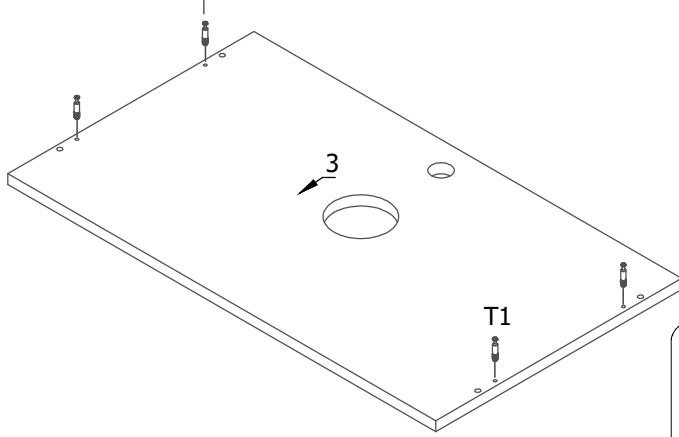


<p>10x80 KR</p> <p>4</p>	<p>KF50</p> <p>6</p>	<p>Q</p> <p>1</p>	<p>x</p> <p>24</p>	<p>E5x13</p> <p>16</p>
<p>K30</p> <p>14</p>	<p>T1</p> <p>24</p>	<p>M1</p> <p>24</p>	<p>CAM</p> <p>2</p>	<p>ZA</p> <p>2</p>
<p>3x13 H3</p> <p>6</p>	<p>WS</p> <p>1</p>	<p>UM</p> <p>2</p>		

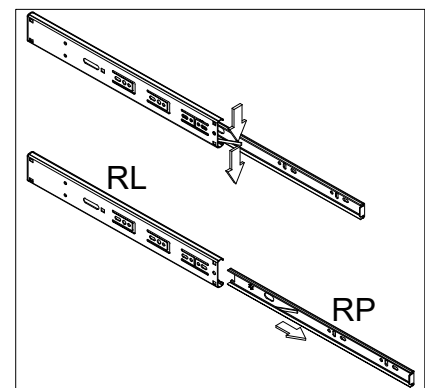
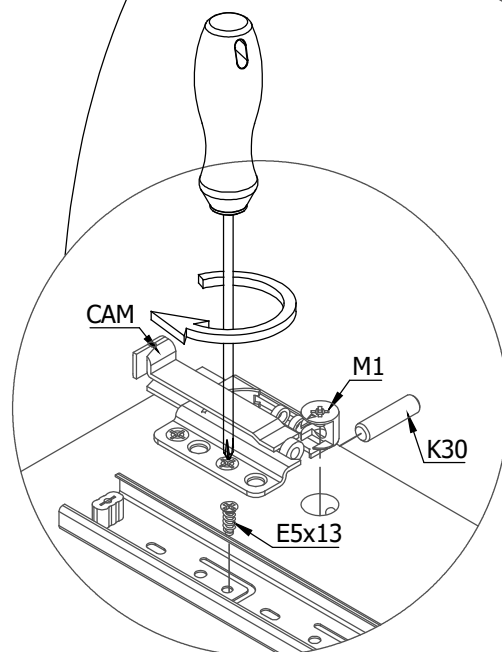
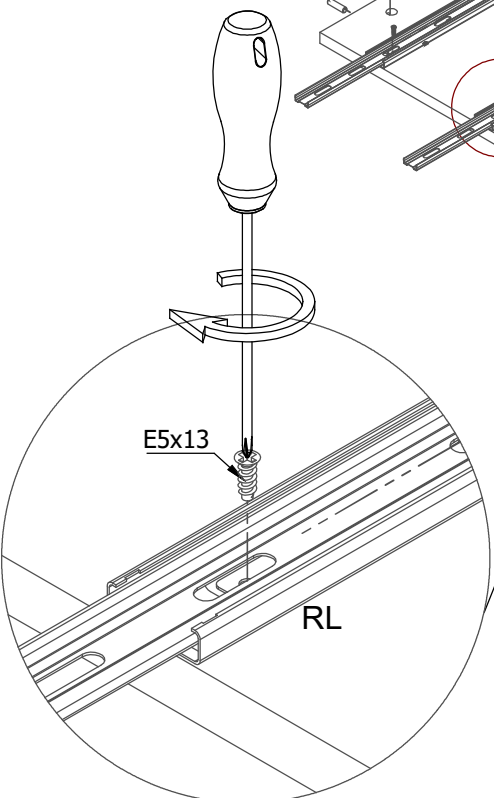
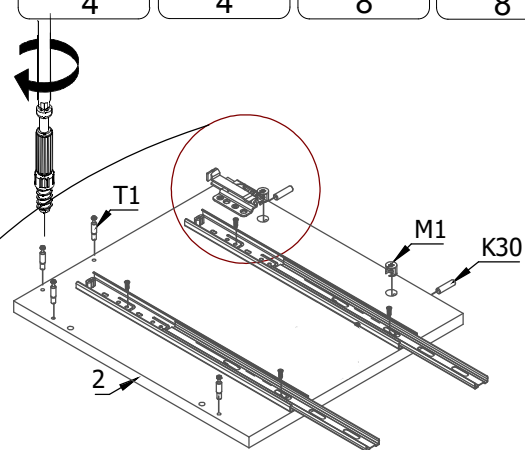
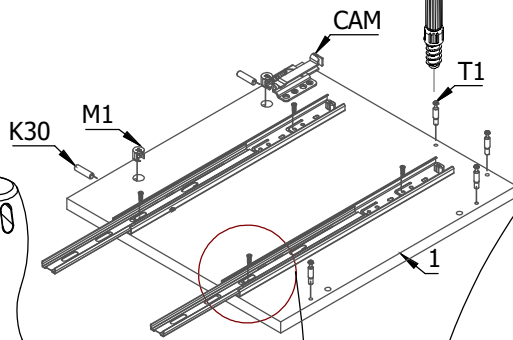





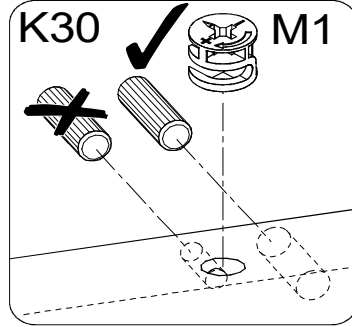
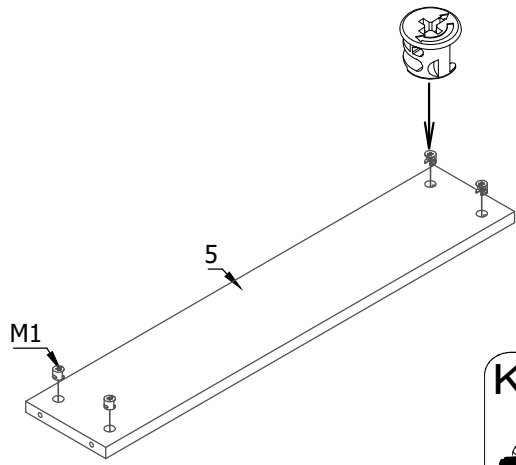
K30	M1	T1
4	4	4


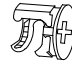





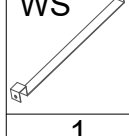



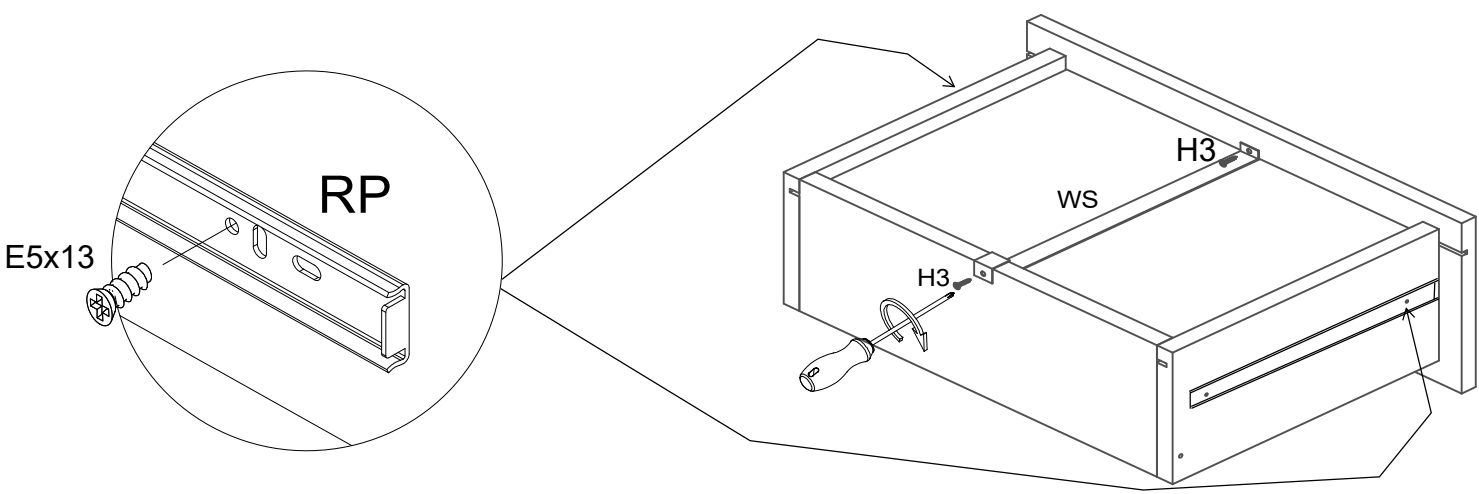
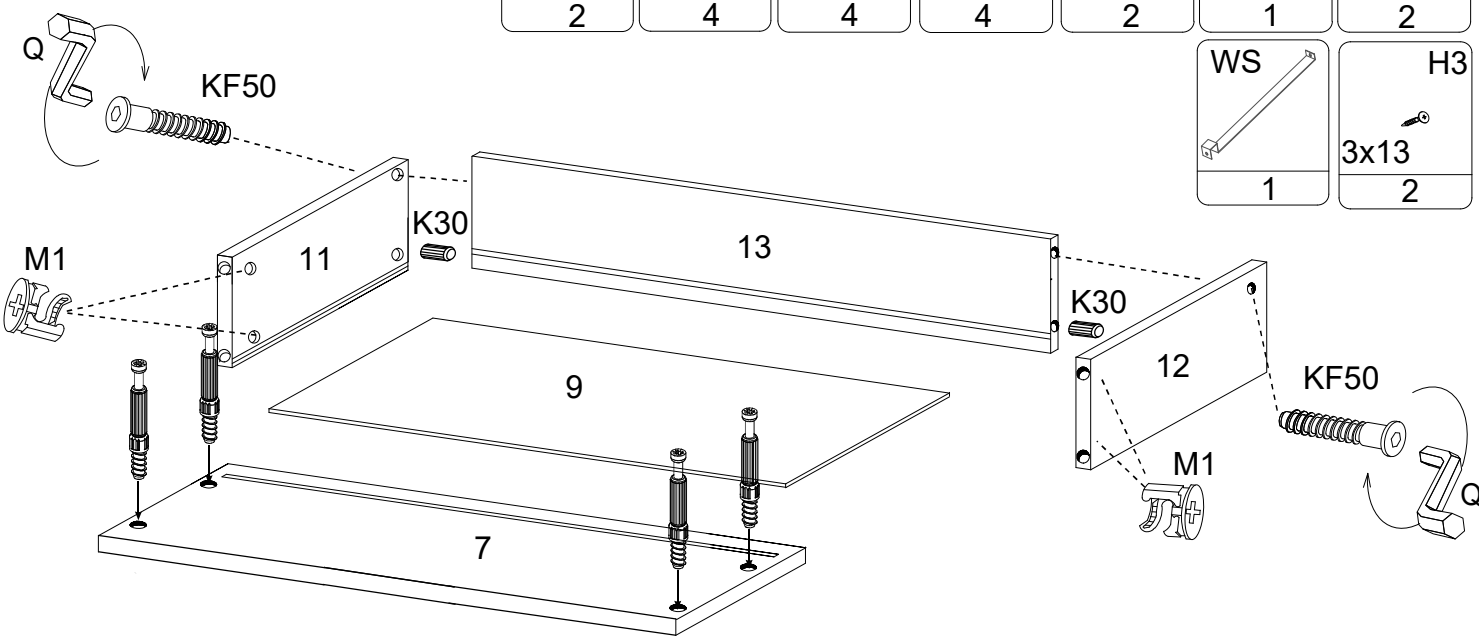
K30	M1	T1	E5x13	CAM
4	4	8	8	2










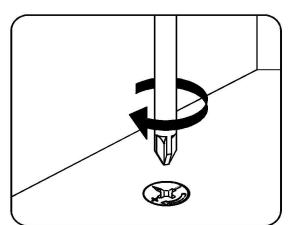
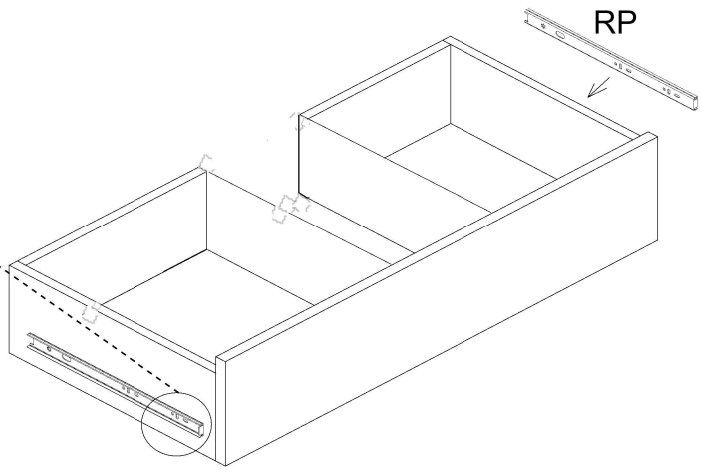
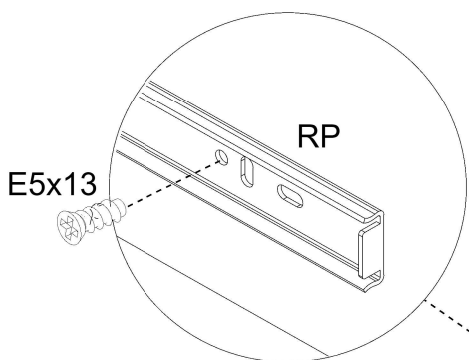
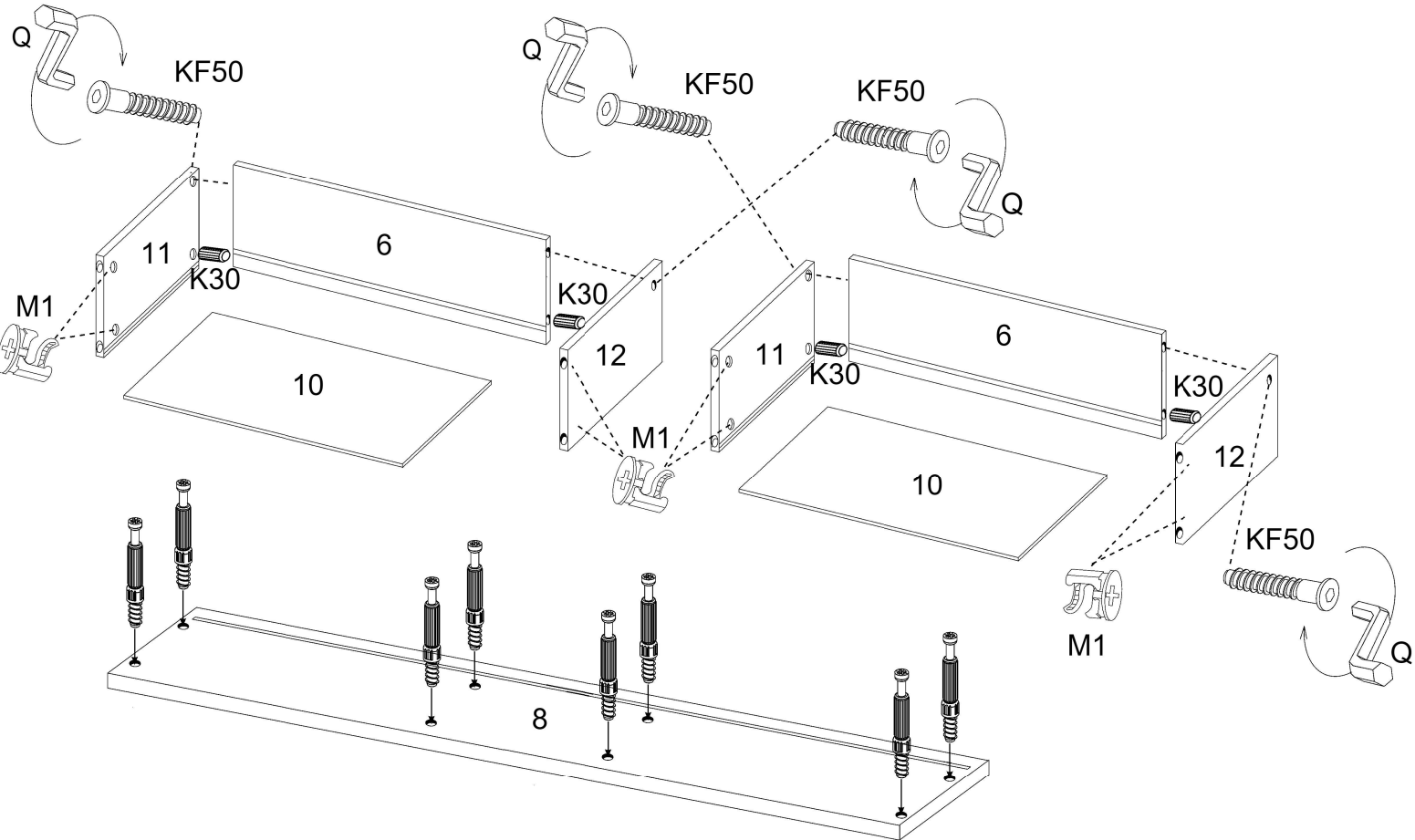
M1

4

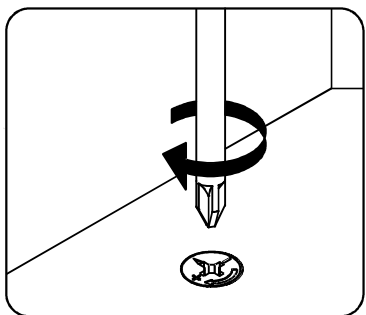
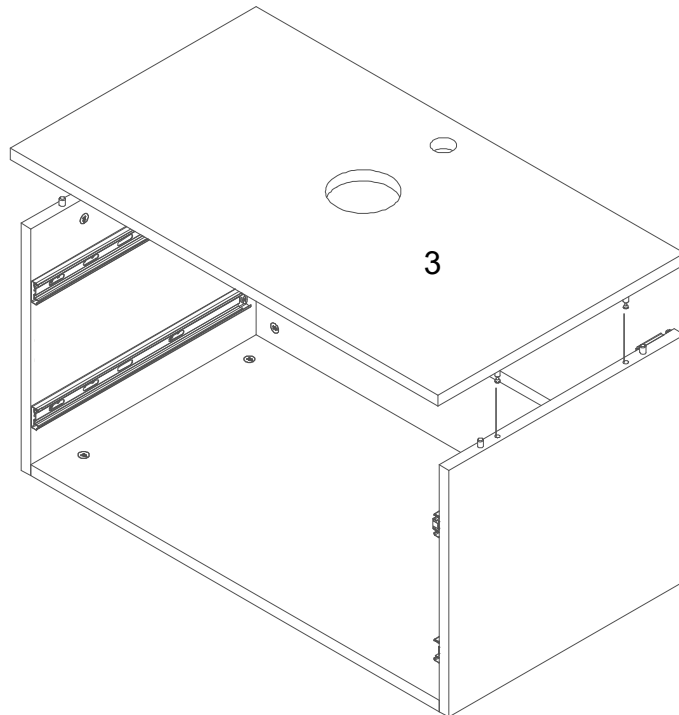
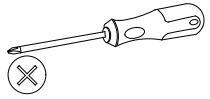
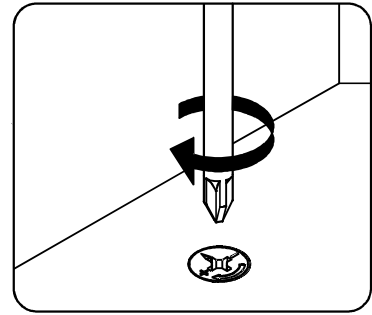
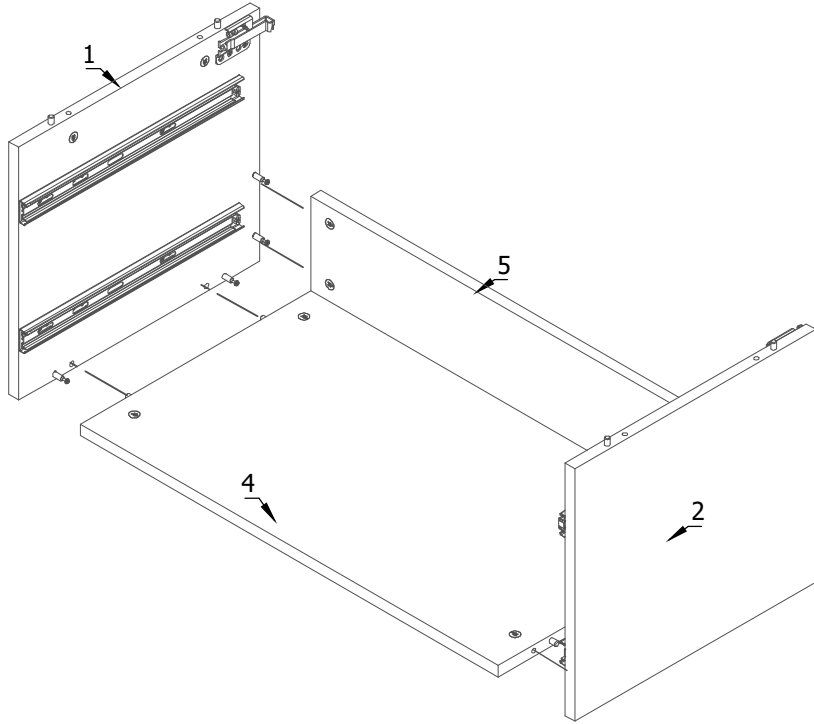
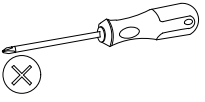


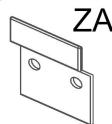

K30  2	M1  4	T1  4	E5x13  4	RP  2	Q  1	KF50  2
					WS  1	H3  3x13 2

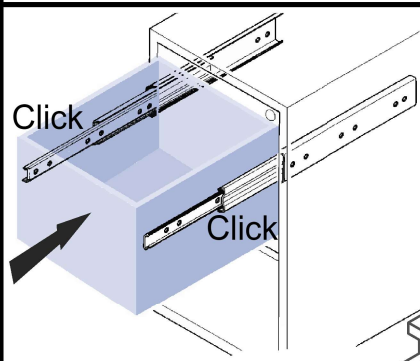
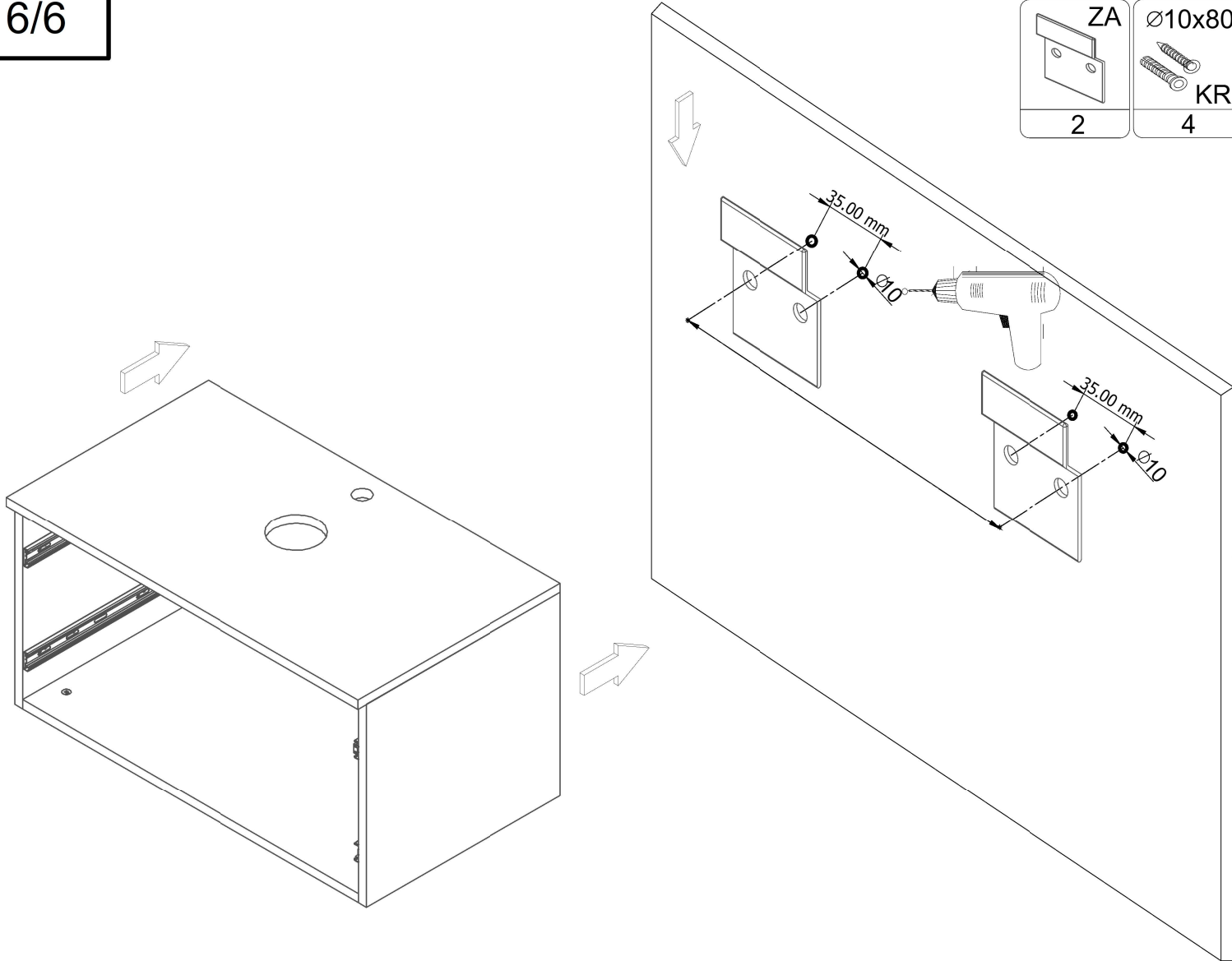


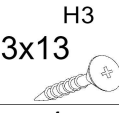
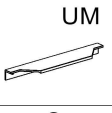
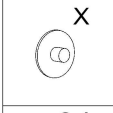
K30  4	M1  8	T1  8	E5x13  4	 RP 2	Q  1	KF50  4
--	---	---	--	---	--	---





	ZA		Ø10x80
2		4	KR



	H3		UM		X
4	3x13	2		24	

