

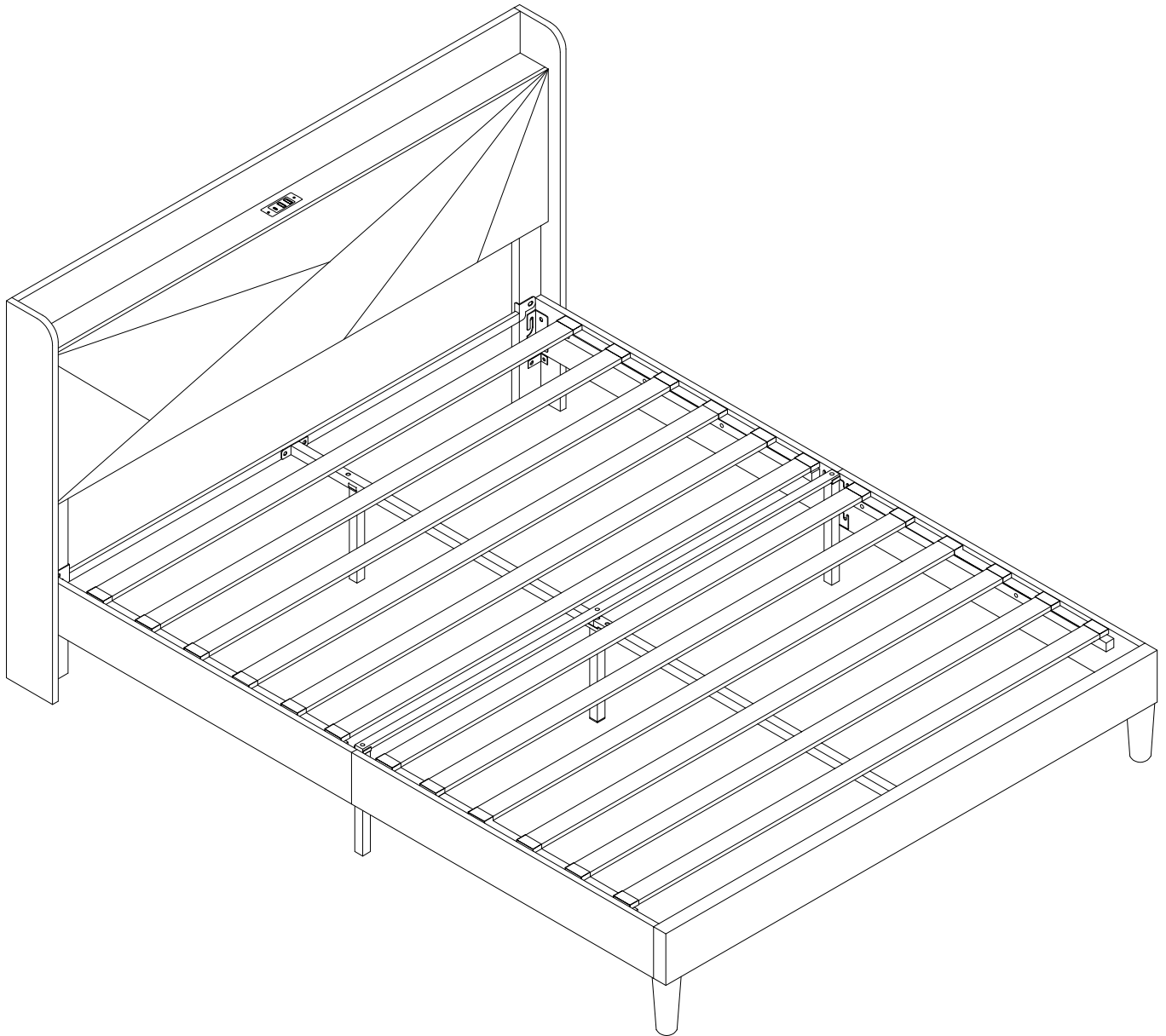
# POSSINA

ORIGINAL INSTRUCTION MANUAL

## AMBREY UPHOLSTERED BED

**Do not discard the packaging until you have successfully completed the assembly.**

Please check that you have all the parts list before you start assembling, if you find that something is missing, do not continue assembly, please contact us immediately.

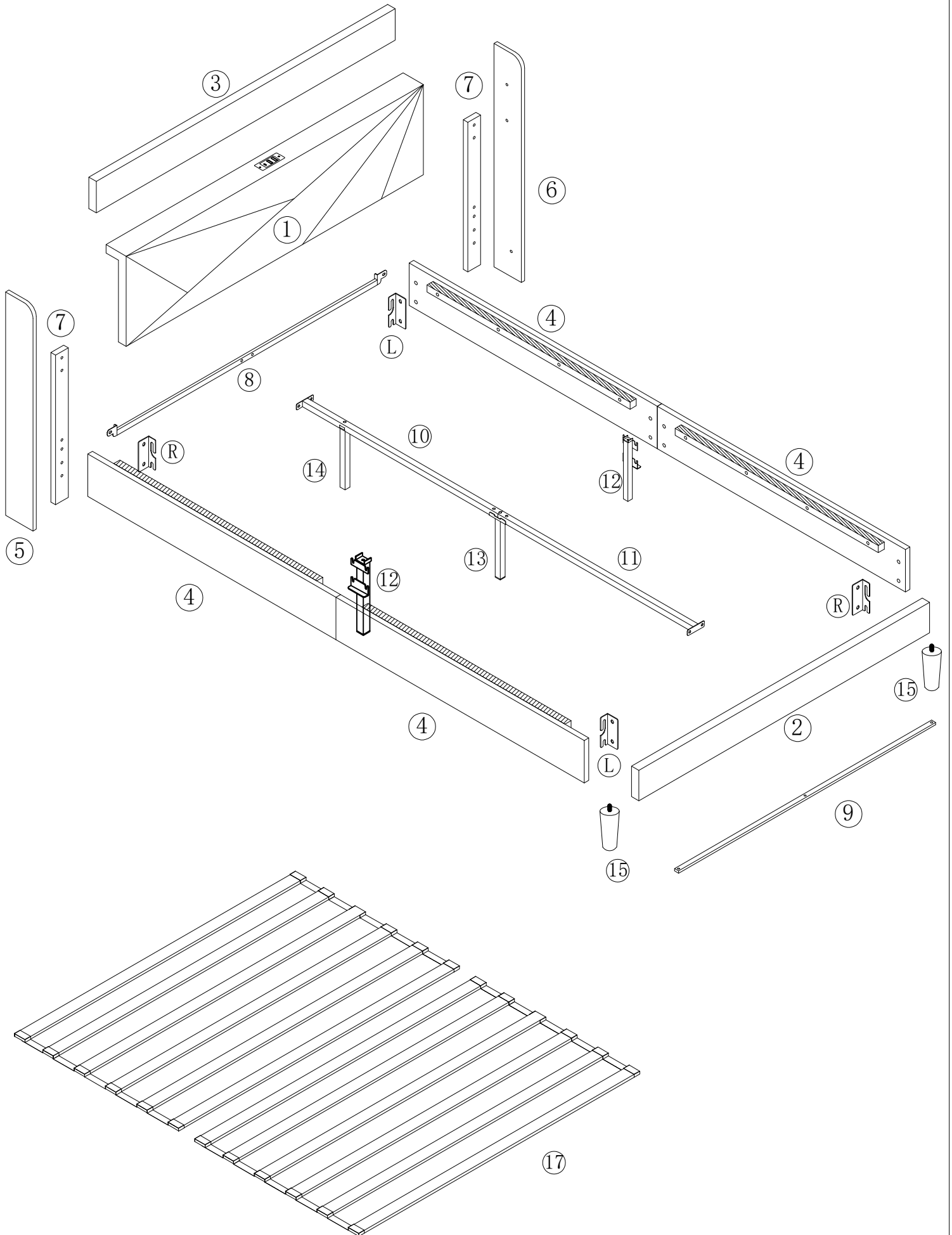


DEAR CUSTOMER,

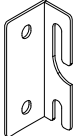
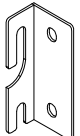





Thank you for choosing our product. Please read this manual carefully before assembling or using the product, to avoid damage caused by improper use. If the product is passed on to third parties, this manual has to be passed on along with the product. For any question don't hesitate to contact us.

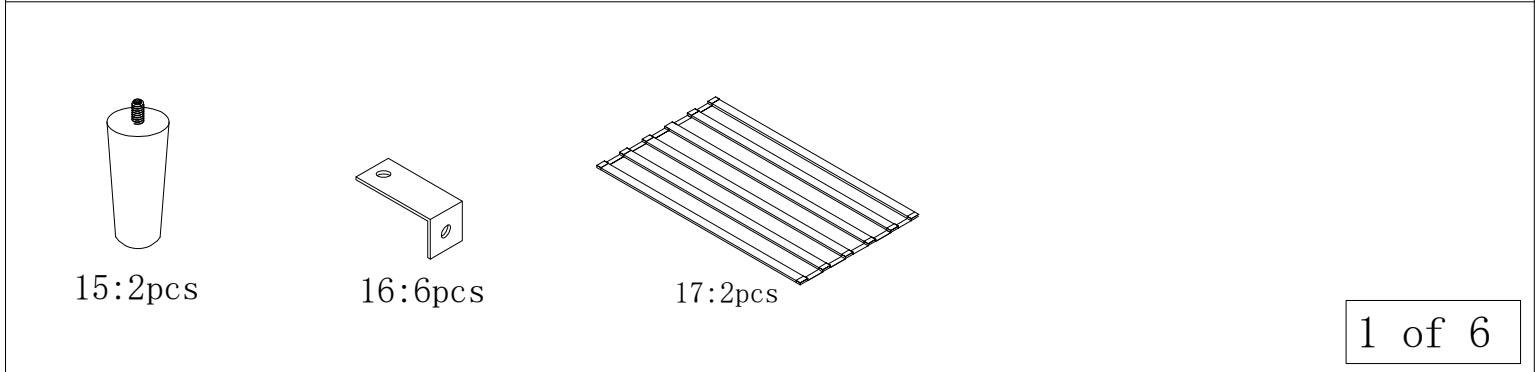
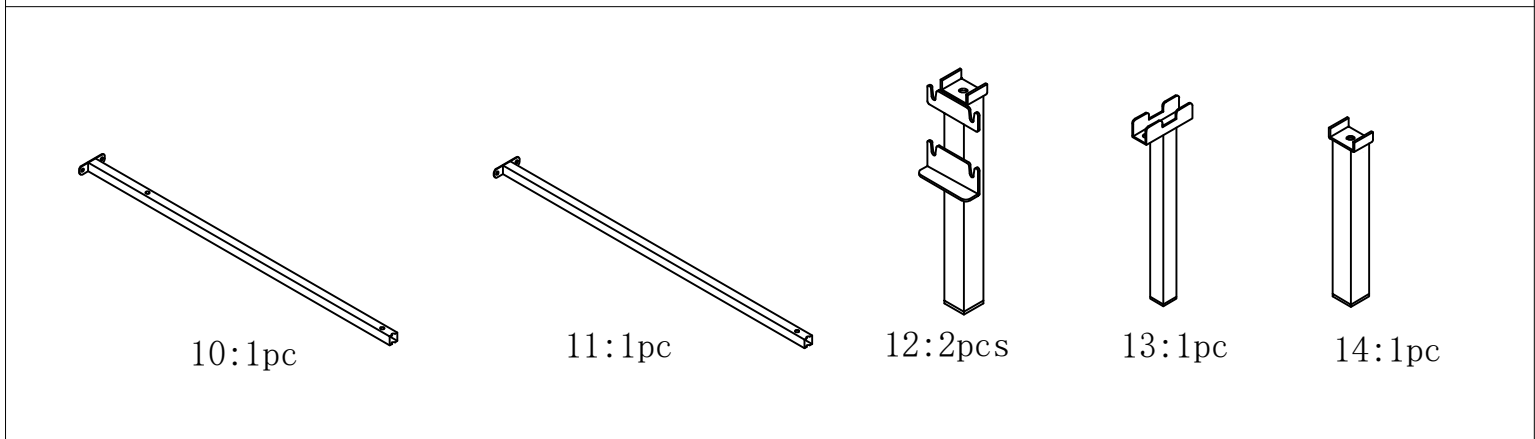
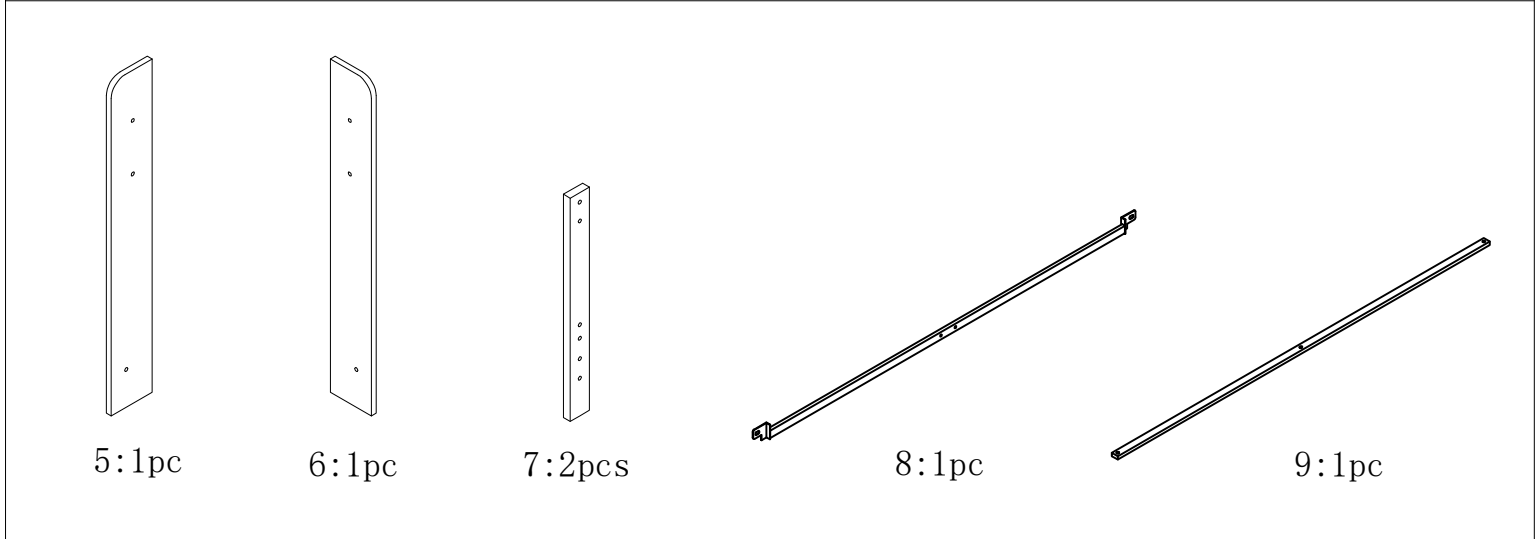
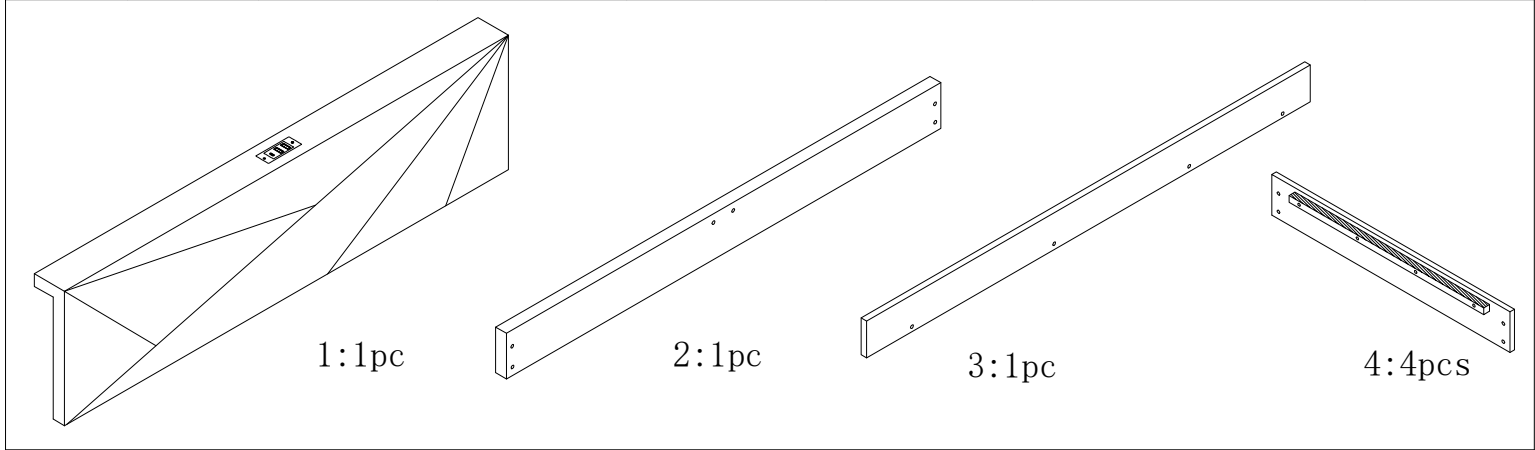
**NOTE:** Please do not completely tighten all the hardware until the entire assembly is complete!

# Part list

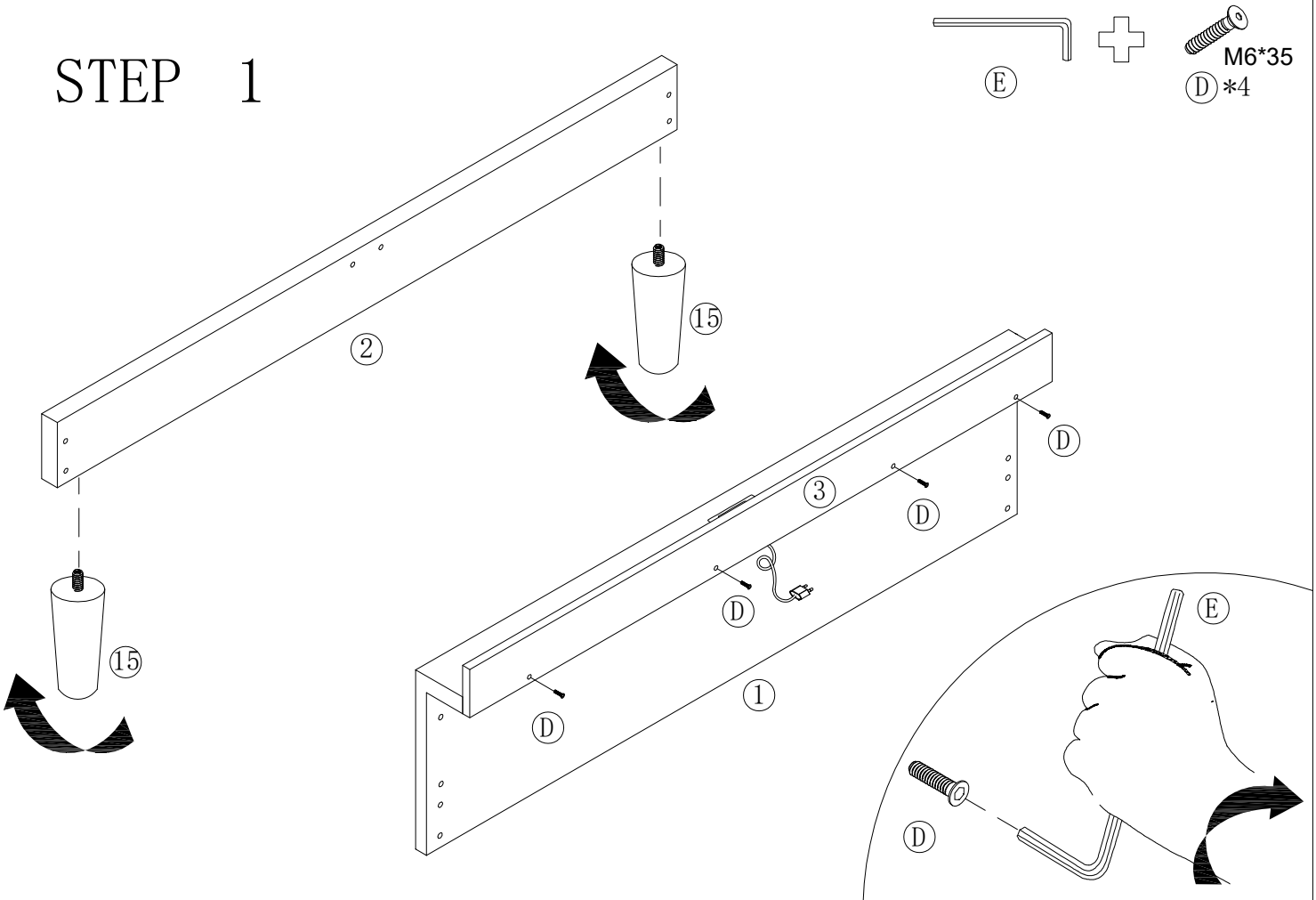


# Assembly Instruction

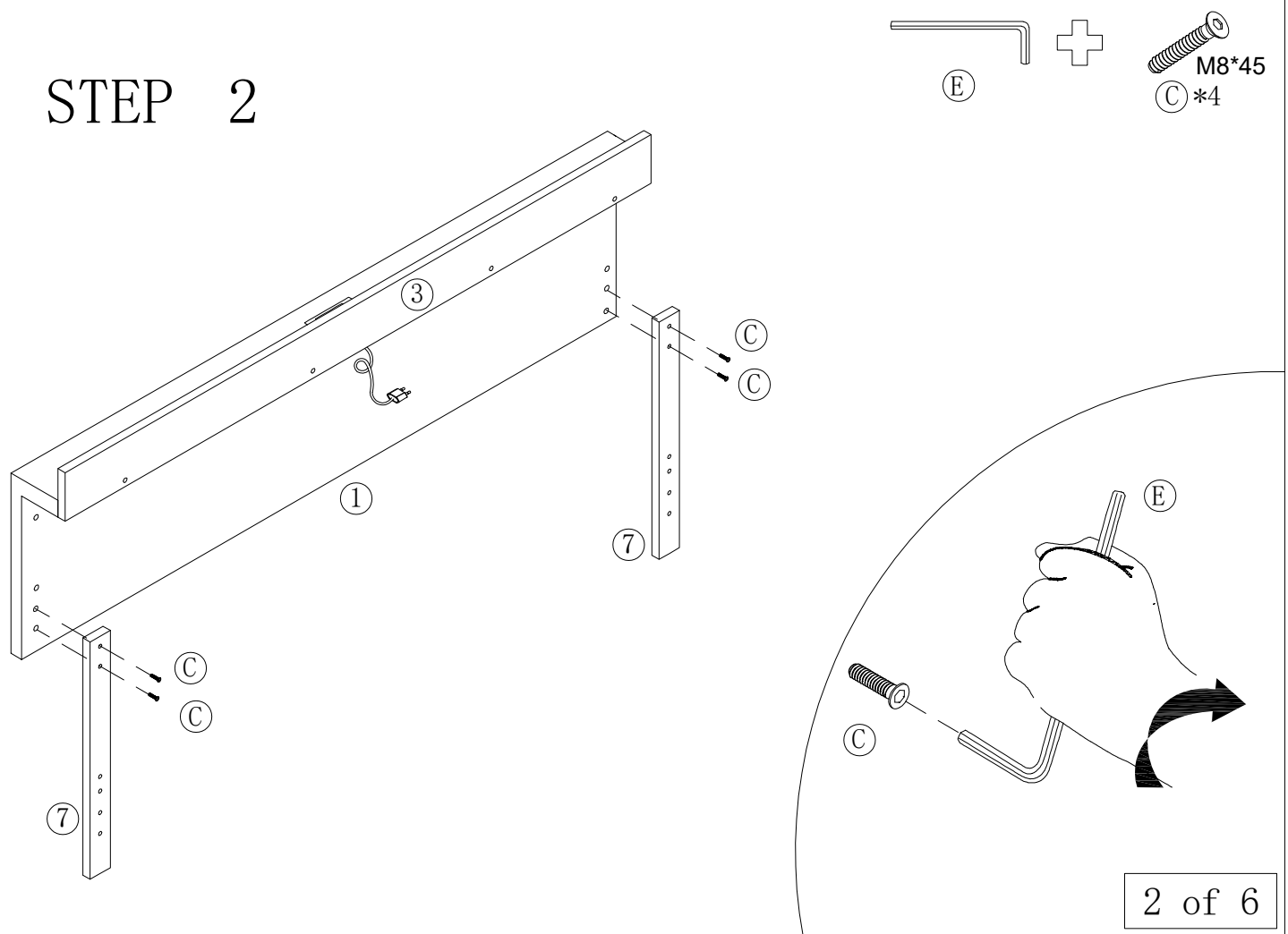
 R:2pcs	 L:2pcs	 M8*18 A .42PCS	 M8*35 B .5PCS	 M8*45 C .5PCS	 M6*35 D .4PCS	 E .1PC	
--	---	--	---	---	---	---	--



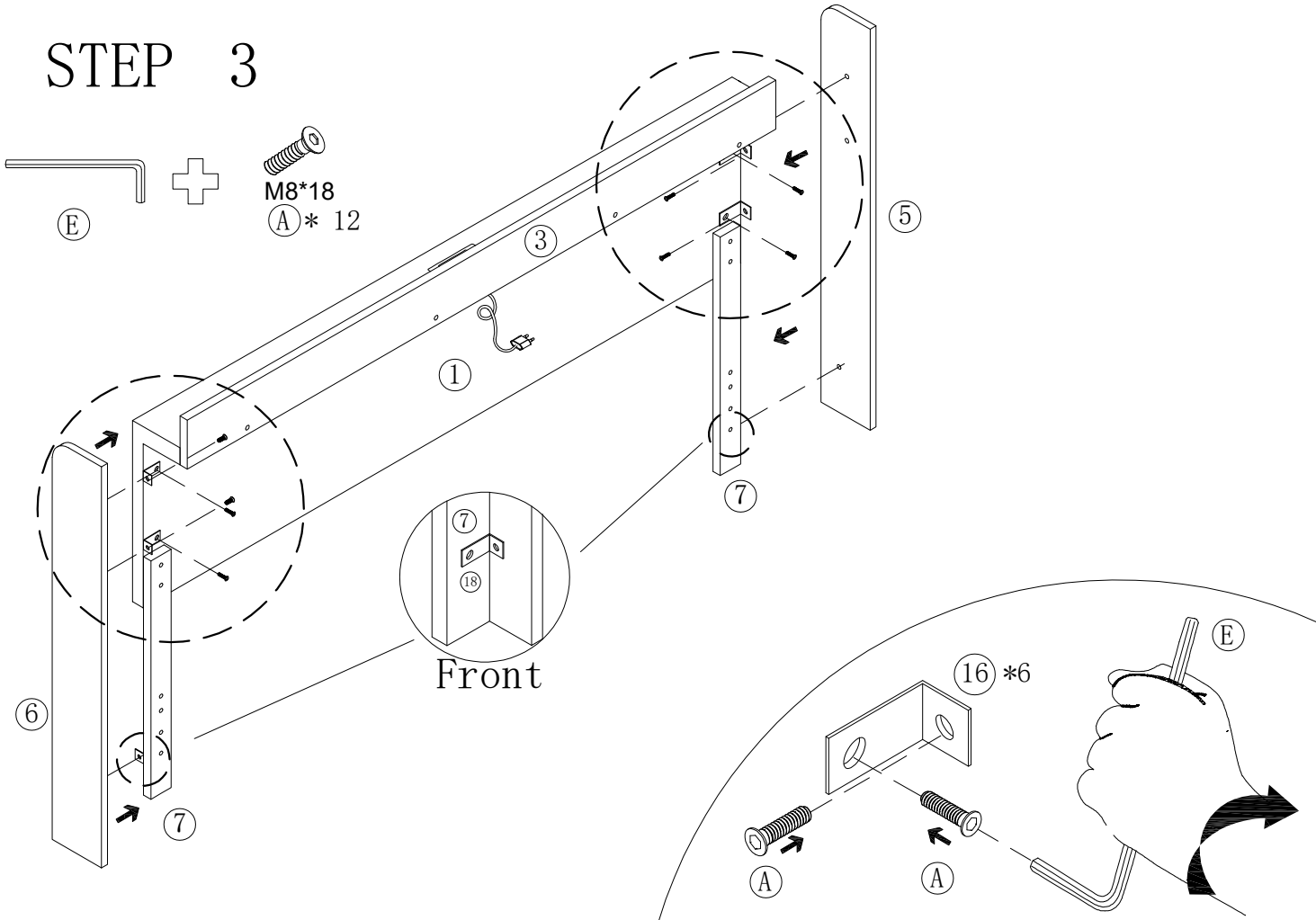
# STEP 1



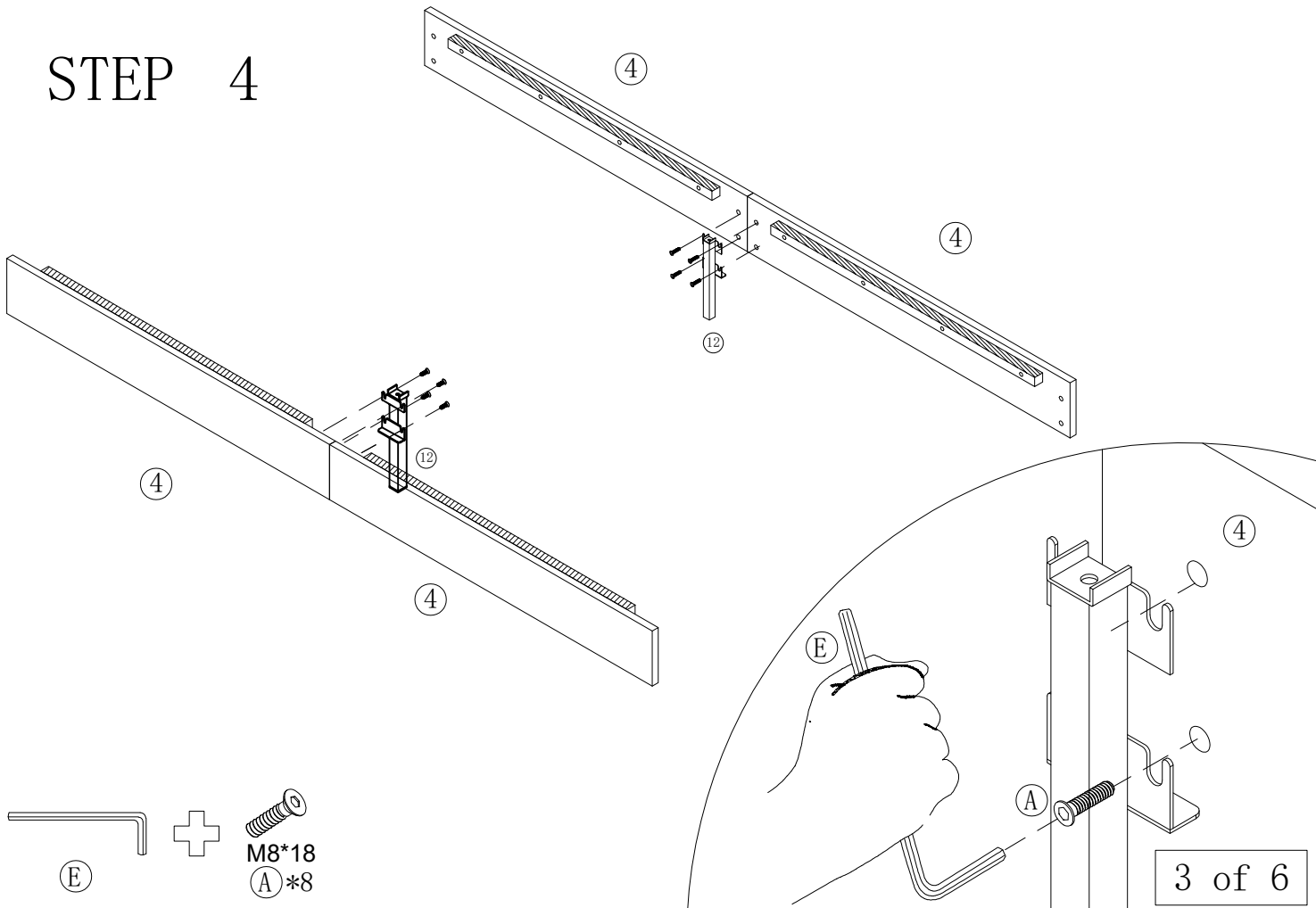
# STEP 2



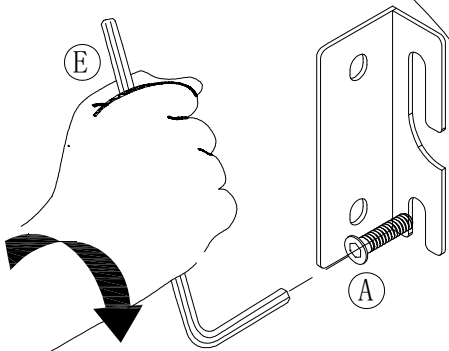
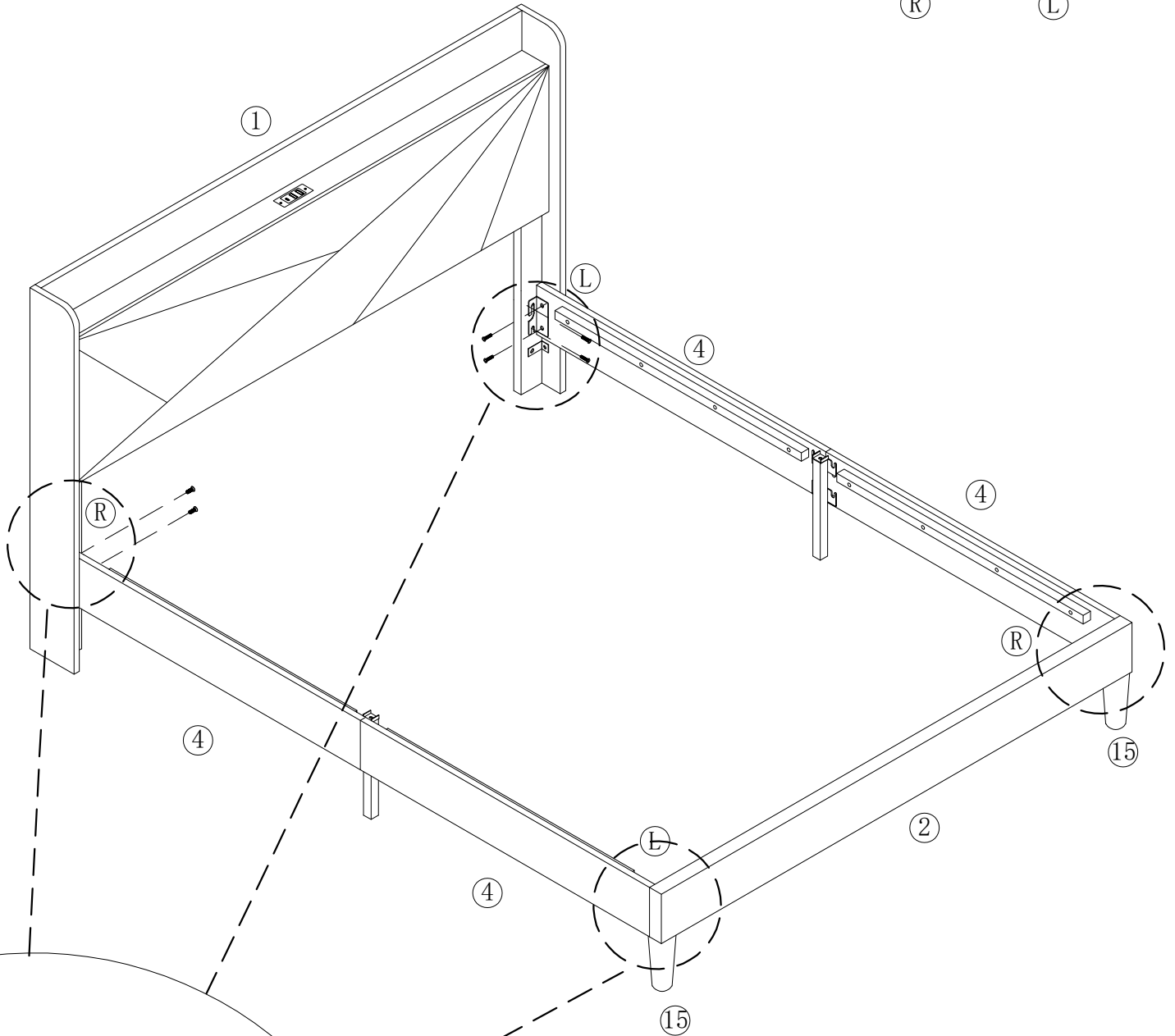
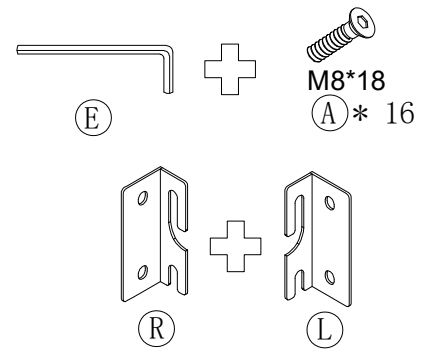
# STEP 3



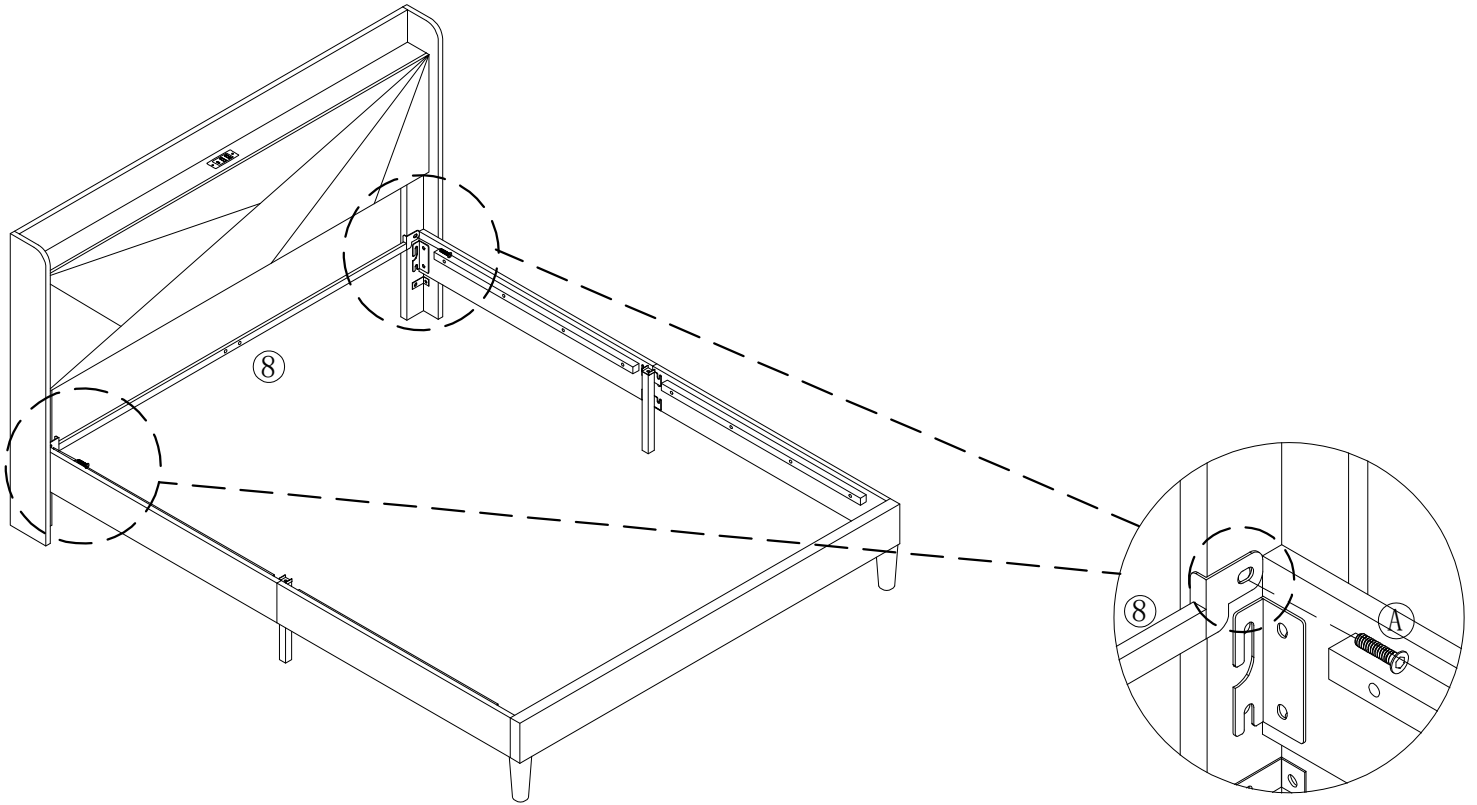
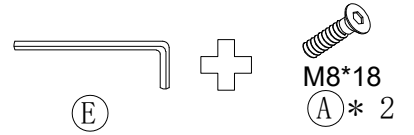
# STEP 4



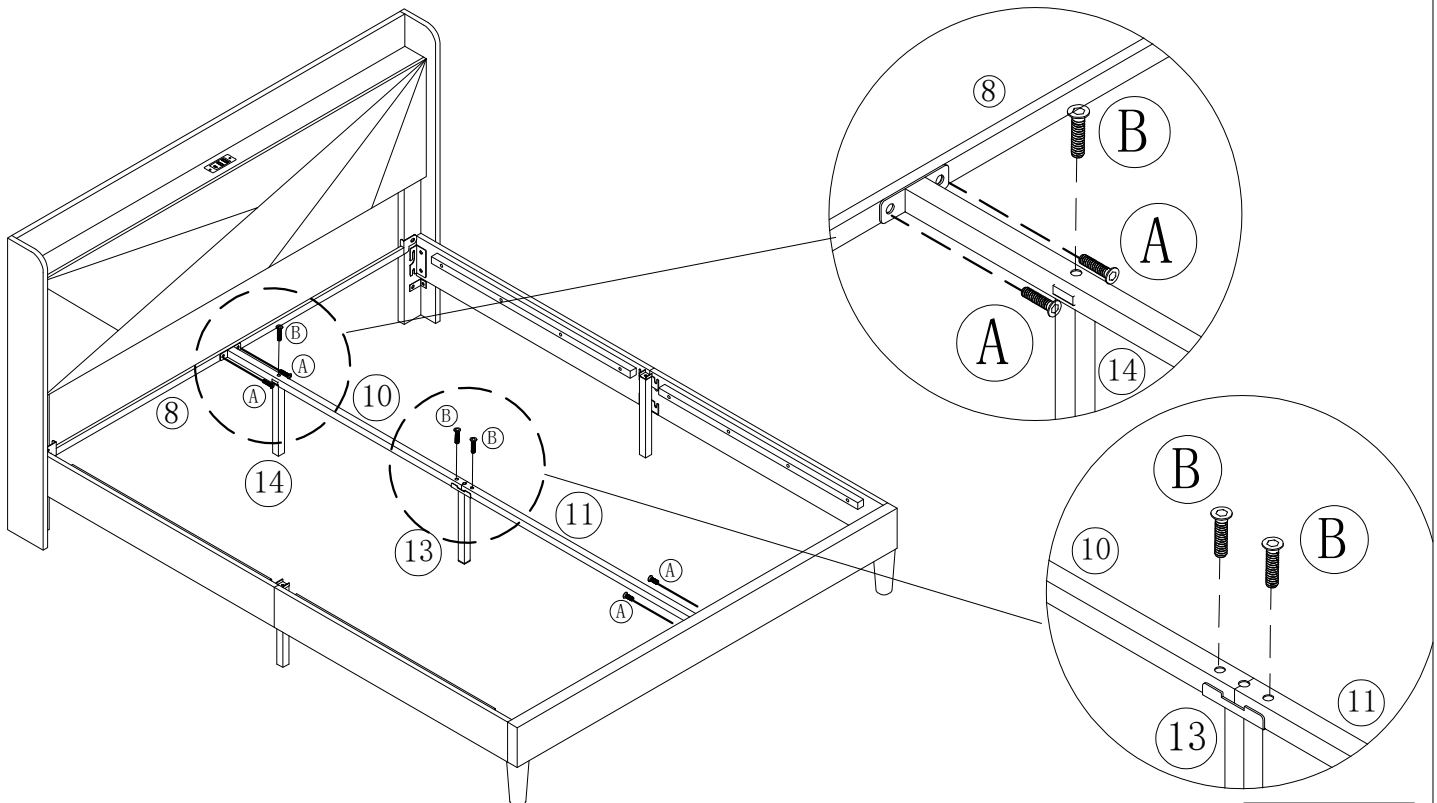
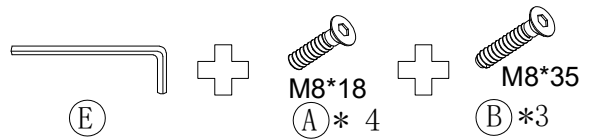
# STEP 5






# STEP 6

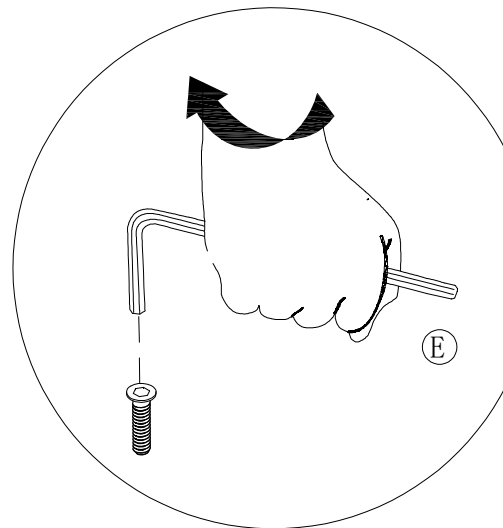
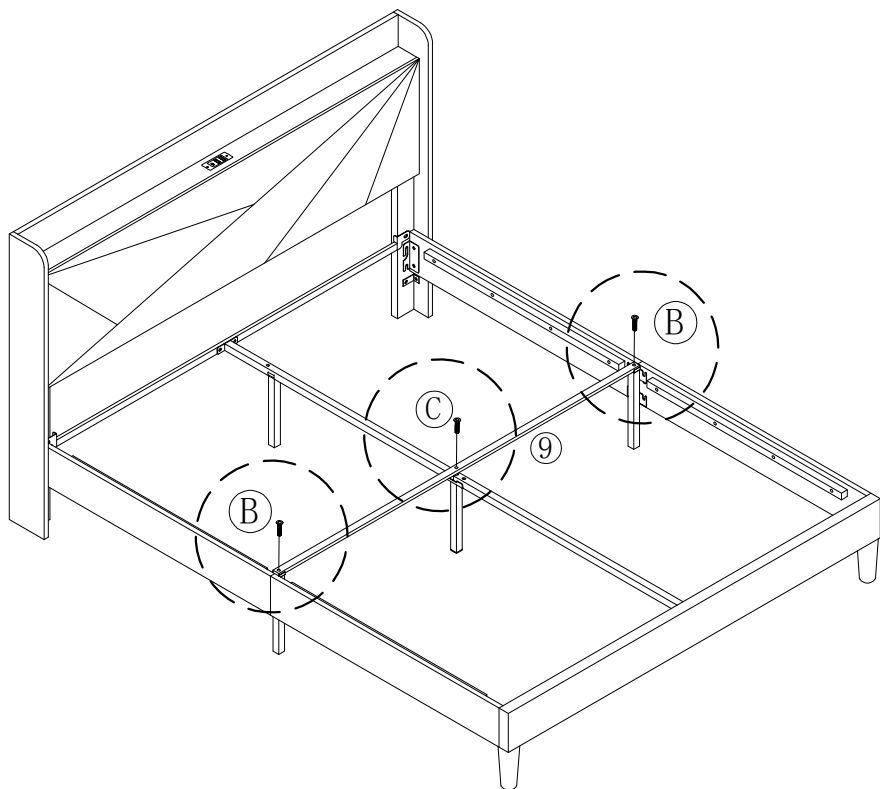


# STEP 7



# STEP 8

-  **(E)**
- +**
-  **M8\*35**
- +**
-  **M8\*45**
- (B)\*2**
- (C)\*1**



# STEP 9

