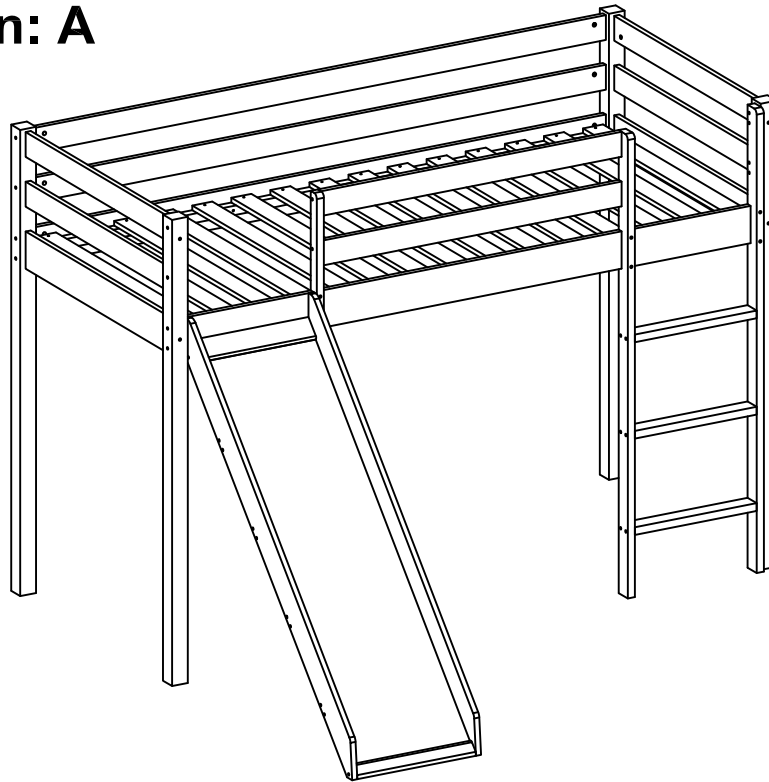
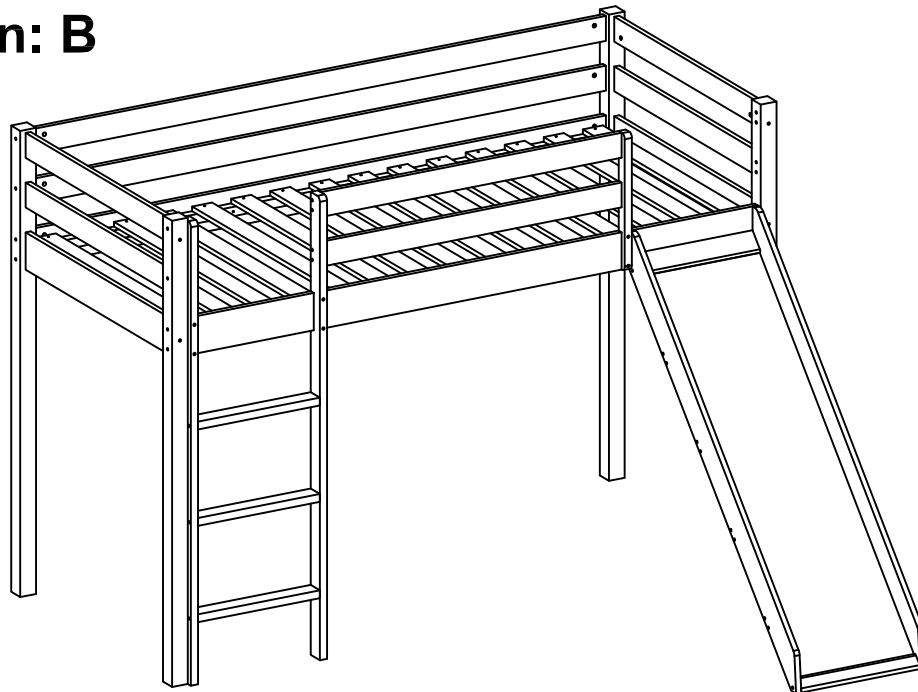


Bed

Option: A

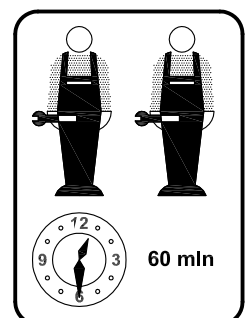


Option: B

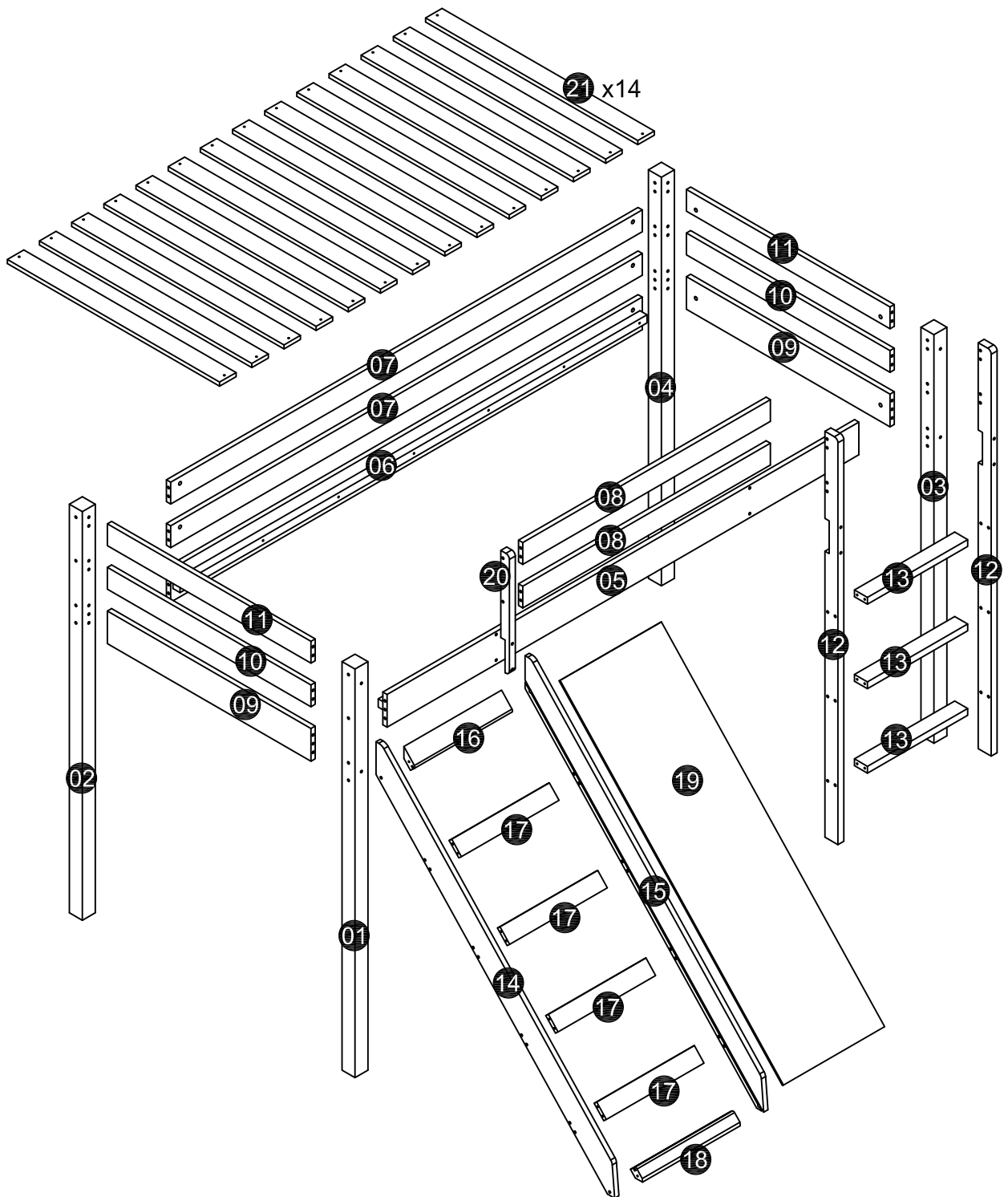


READ THE ASSEMBLY INSTRUCTIONS CAREFULLY. IDENTIFY THE ELEMENTS CONSTITUING YOUR PIECE OF FURNITURE. GROUP AND CHECK THE HARDWARE FITTINGS. GET THE TOOLS NEEDED. CLEAR SPACE TO WORK. PROCEED TO ASSEMBLE

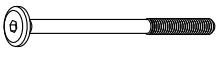

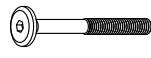
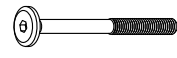
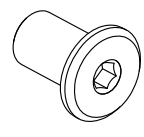
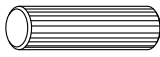
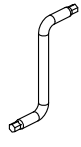

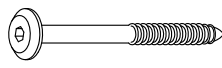
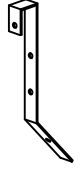


NEVER FORCE THE FITTINGS. TIGHTEN THE SCREW AFTER USING FOR SOMETIME. KEEP YOUR ASSEMBLY INSTRUCTIONS, IT COULD HELP FOR BETTER COMMUNICATION WITH YOUR STORE. IN THE EVENT OF QUERY.



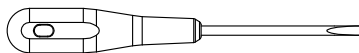
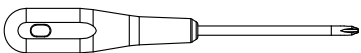
EXPLODED VIEW



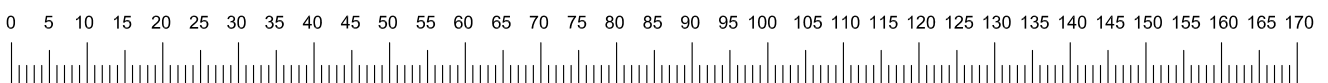
HARDWARE

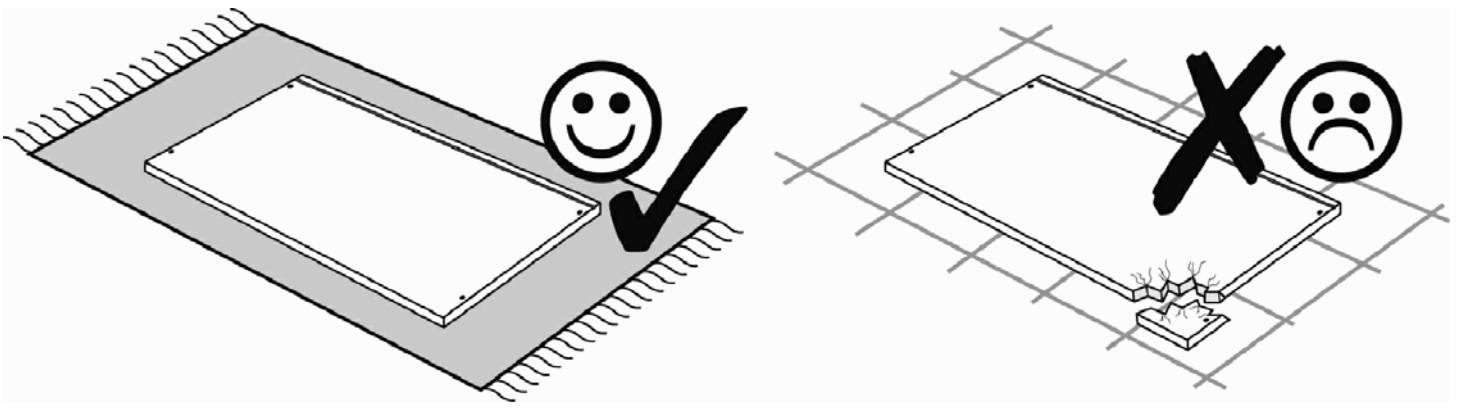
<p>A x20</p>  <p>M6 x90mm</p>	<p>B x24</p> 	<p>C x3</p>  <p>M6 x60mm</p>	<p>D x4</p>  <p>M6 x50mm</p>	<p>E x7</p> 
<p>F x34</p>  <p>Ø8 x30mm</p>	<p>G x2</p> 	<p>H x32</p>  <p>Ø4 x30mm</p>	<p>I x34</p>  <p>Ø6 x70mm</p>	<p>J x2</p> 
<p>K x4</p>  <p>Ø4 x16mm</p>	<p>L x12</p> 	<p>M x4</p>  <p>M6 x70mm</p>		

TOOLS

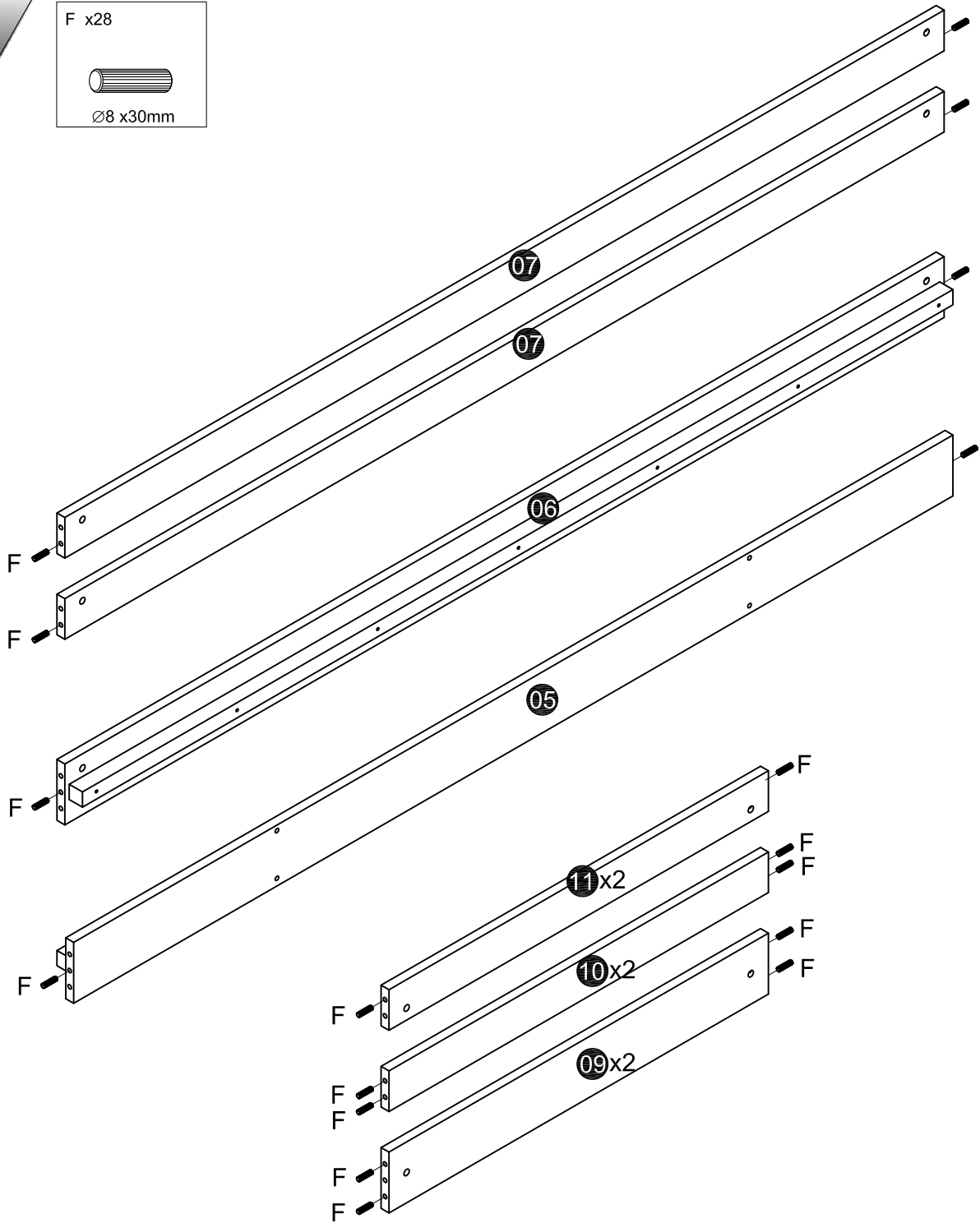
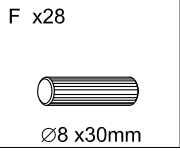


Ruler - Use this ruler to help correctly identify the screws





01

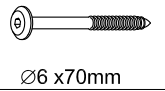


02

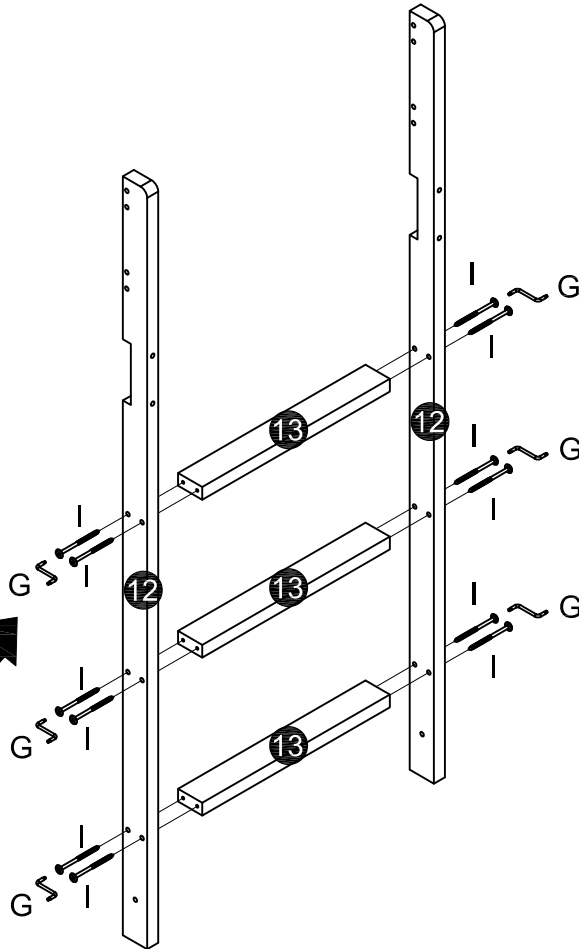
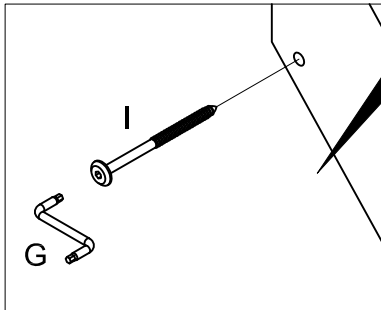
G x1



I x12



Ø6 x70mm



03

A x8

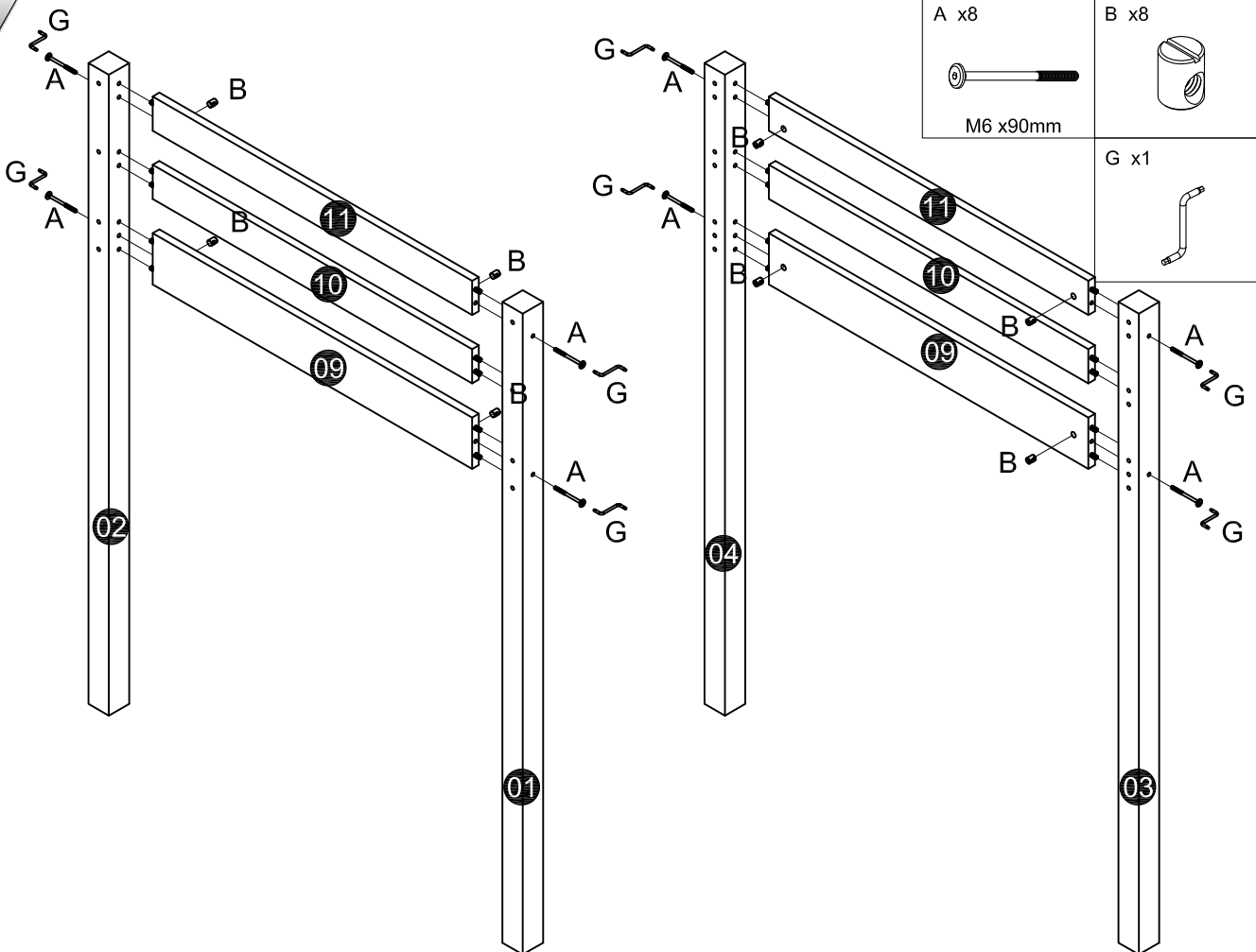


M6 x90mm

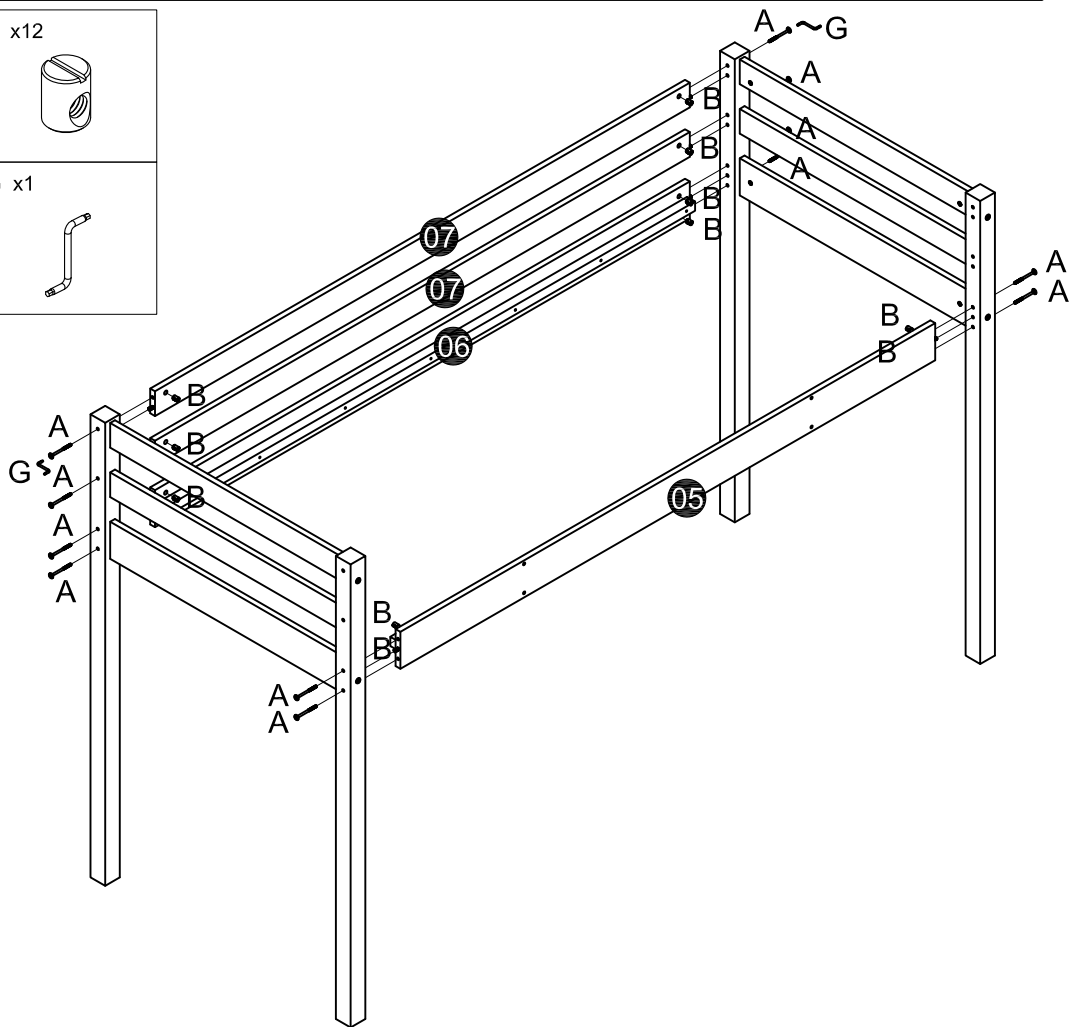
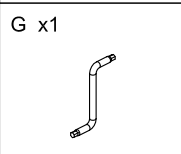
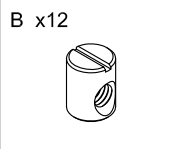
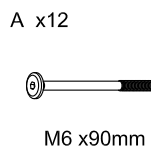
B x8



G x1

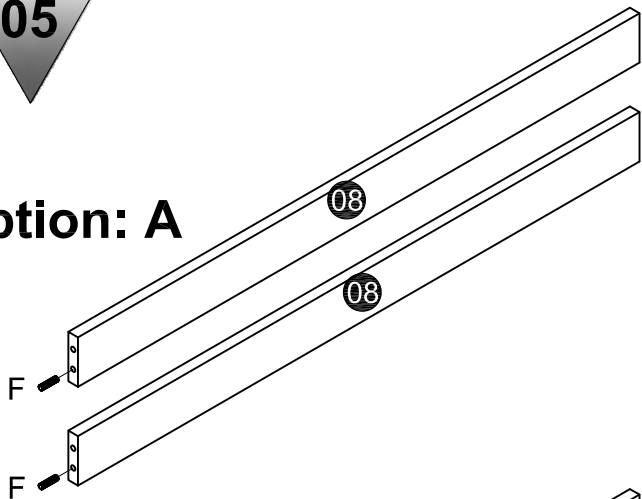


04

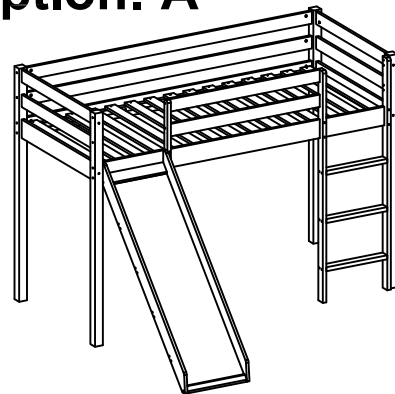


05

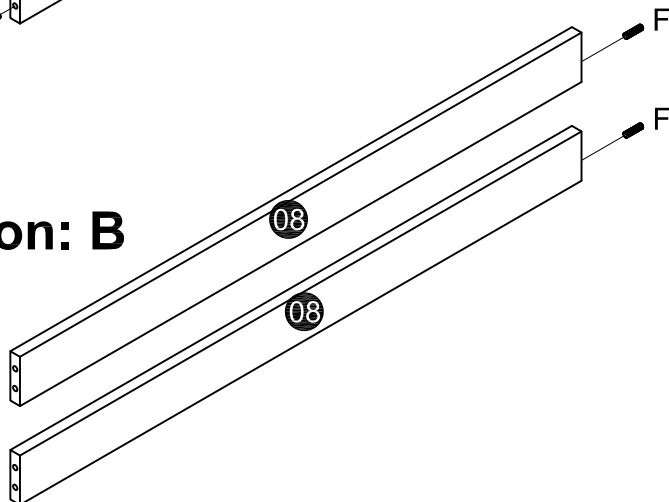
Option: A



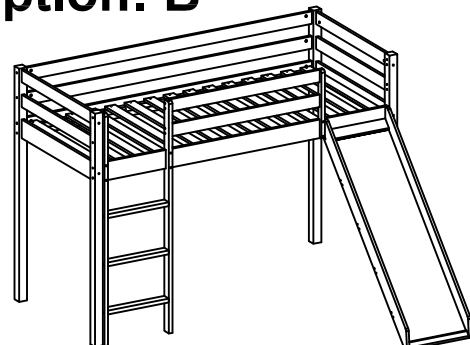
Option: A



Option: B

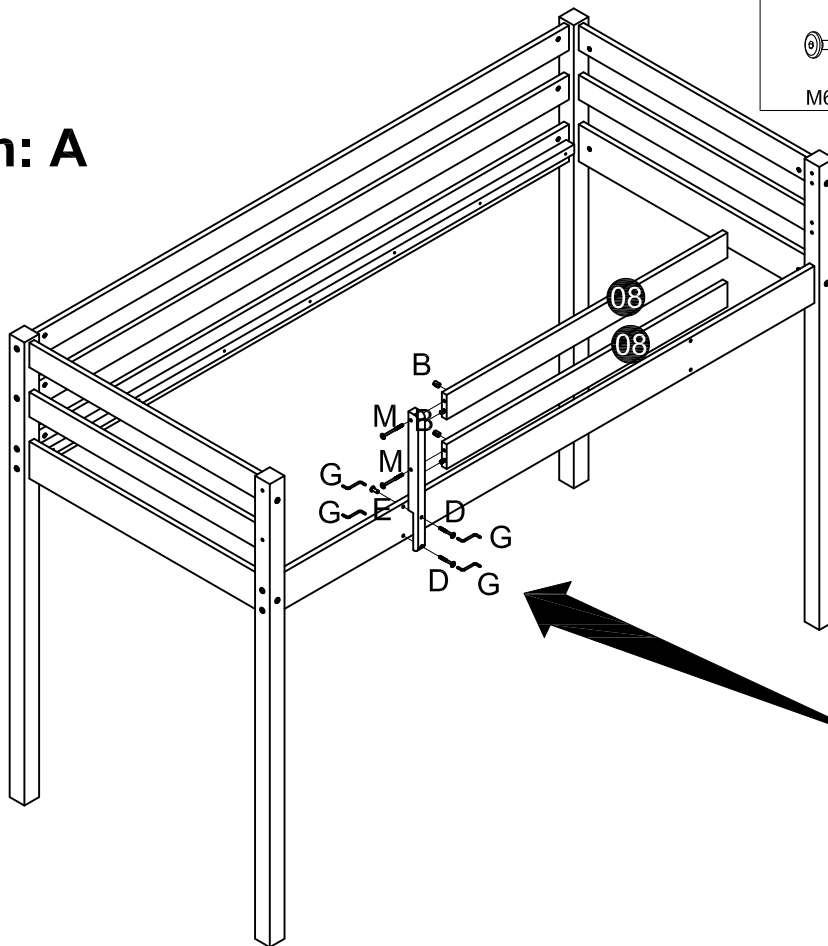


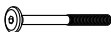



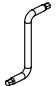
Option: B

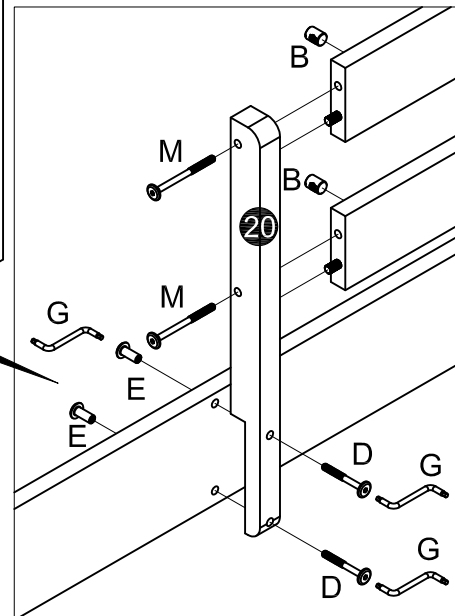


06

Option: A

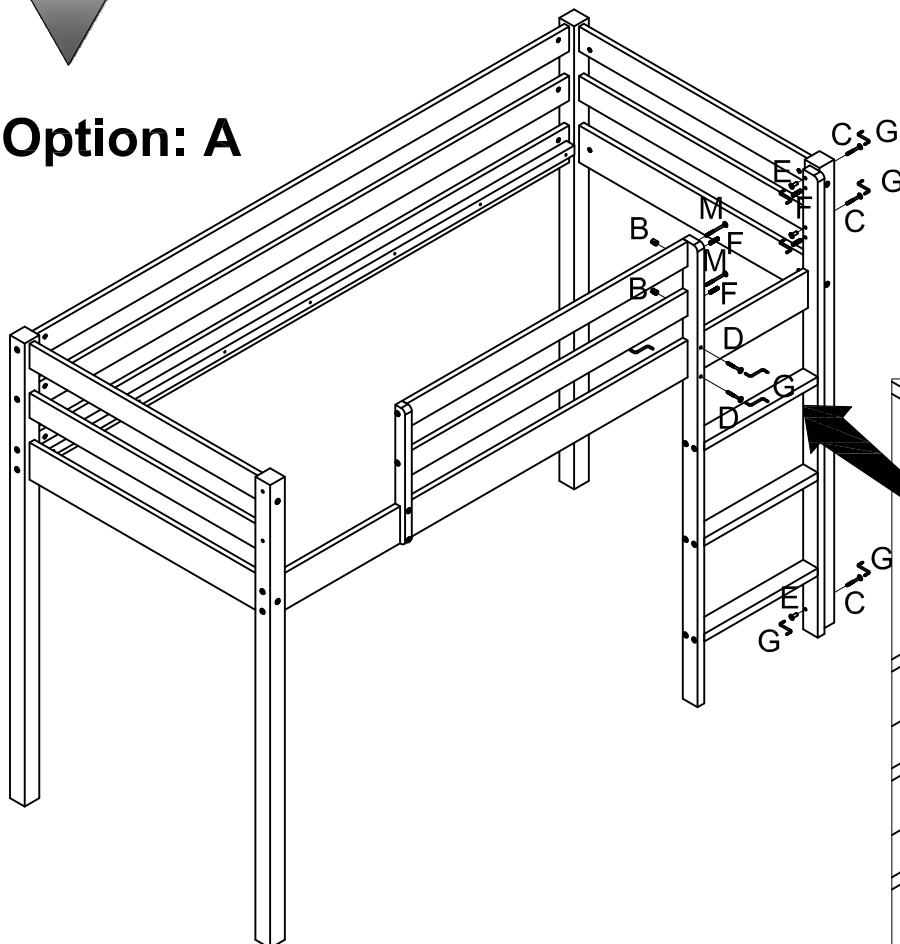








M x2  M6 x70mm	D x2  M6 x50mm	E x2 
	B x2 	G x2 

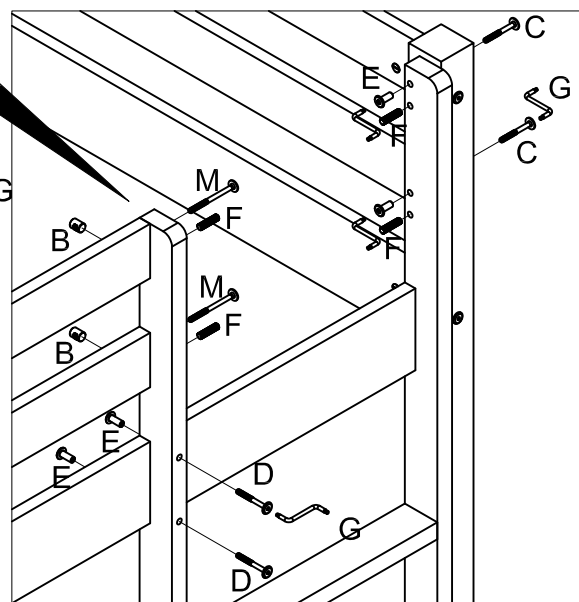


07

Option: A



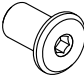

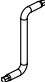


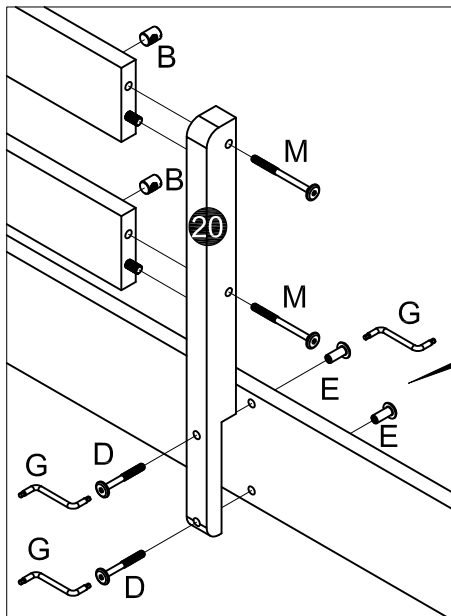
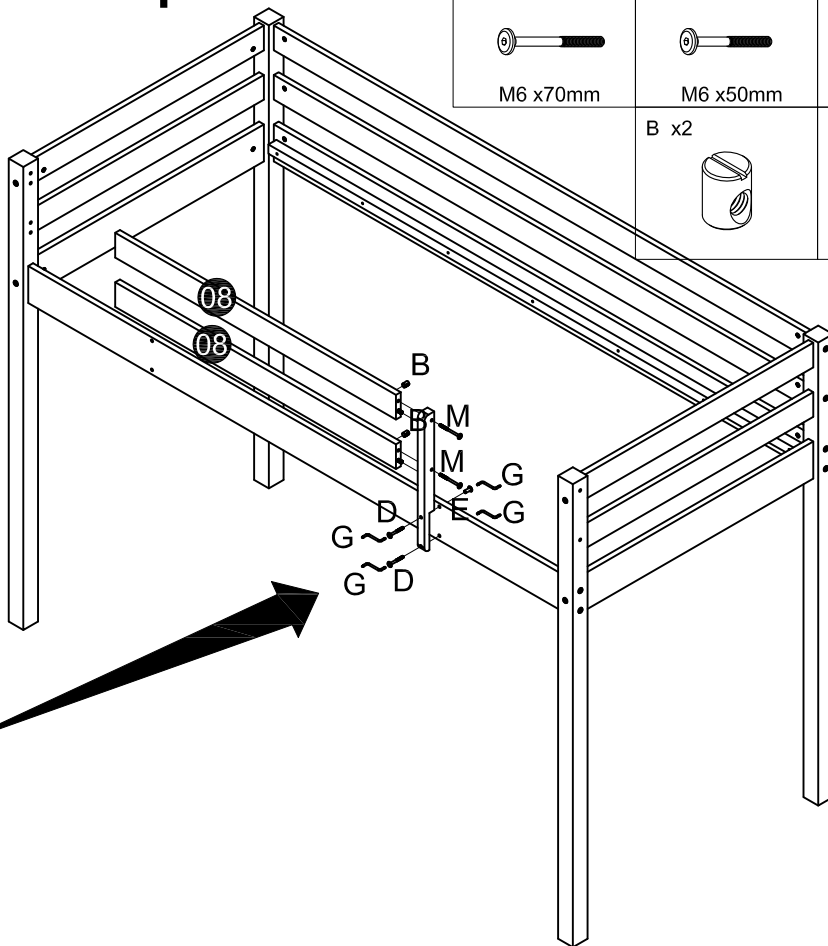
E x5 	C x3  M6 x60mm	D x2  M6 x50mm
M x2  M6 x70mm	G x2 	B x2 



08

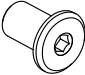





Option: B

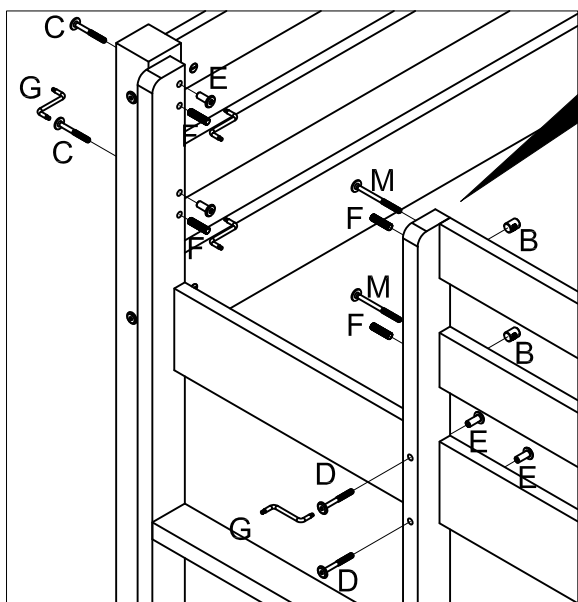
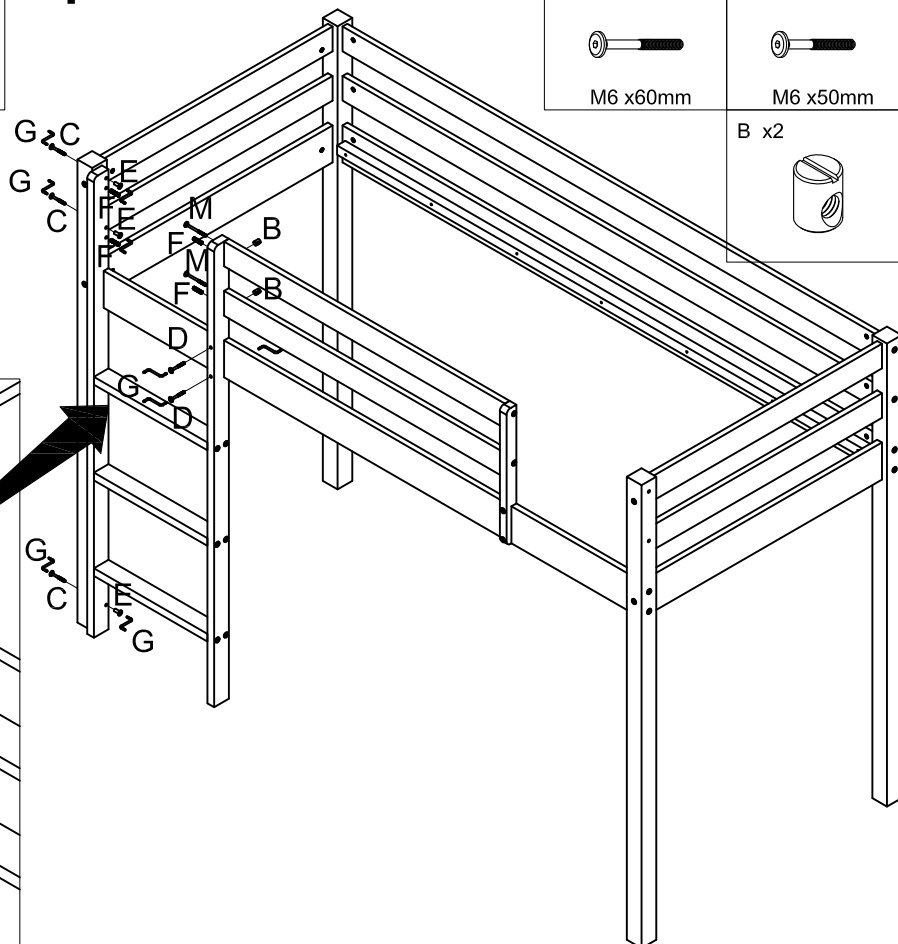
M x2  M6 x70mm	D x2  M6 x50mm	E x2 
	B x2 	G x2 



09

Option: B

E x5 	G x2 	C x3  M6 x60mm	D x2  M6 x50mm
M x2  M6 x70mm			B x2 



10

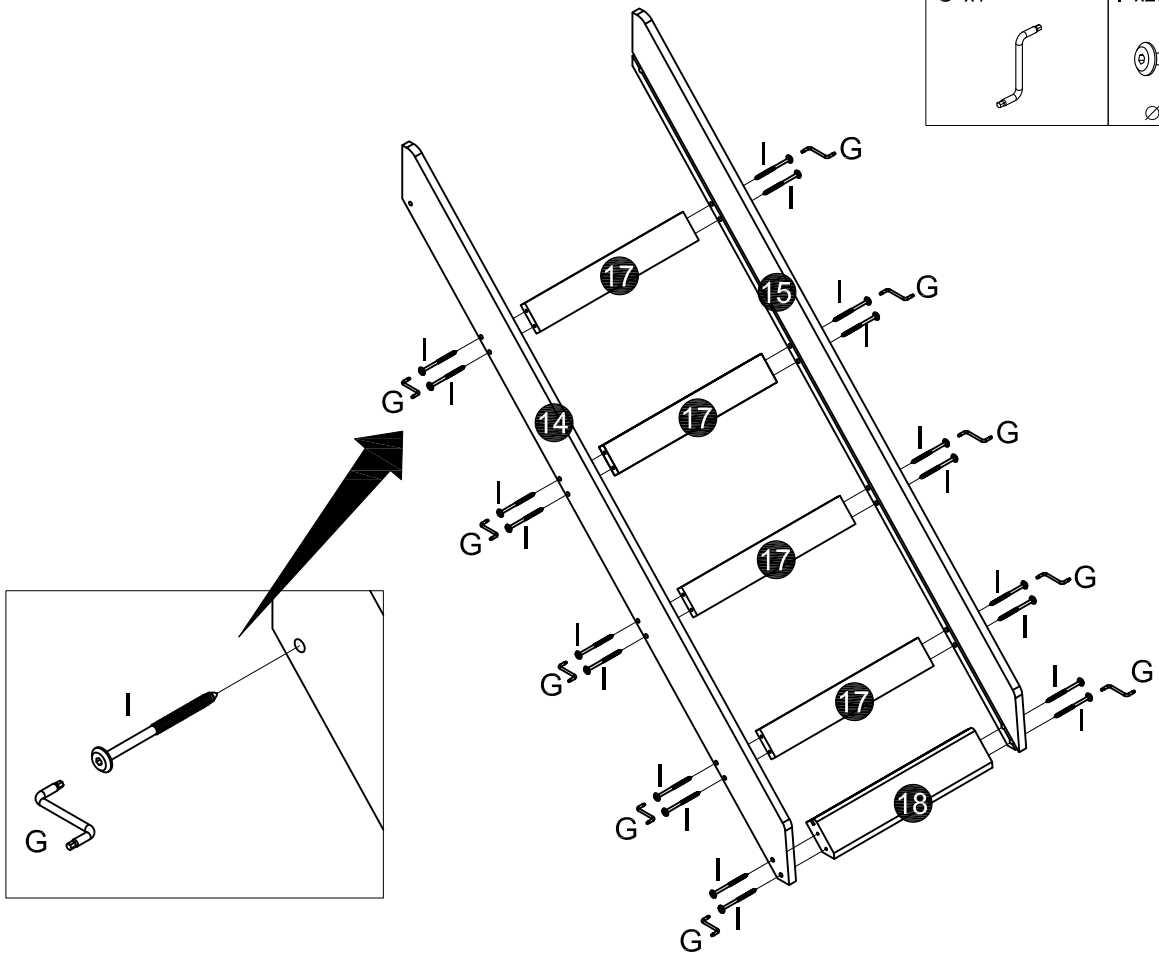
G x1



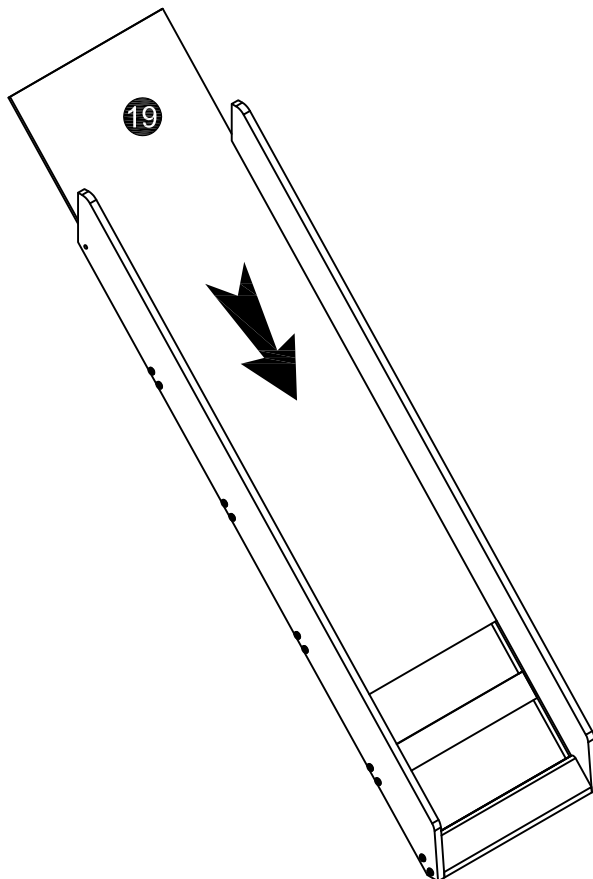
I x20



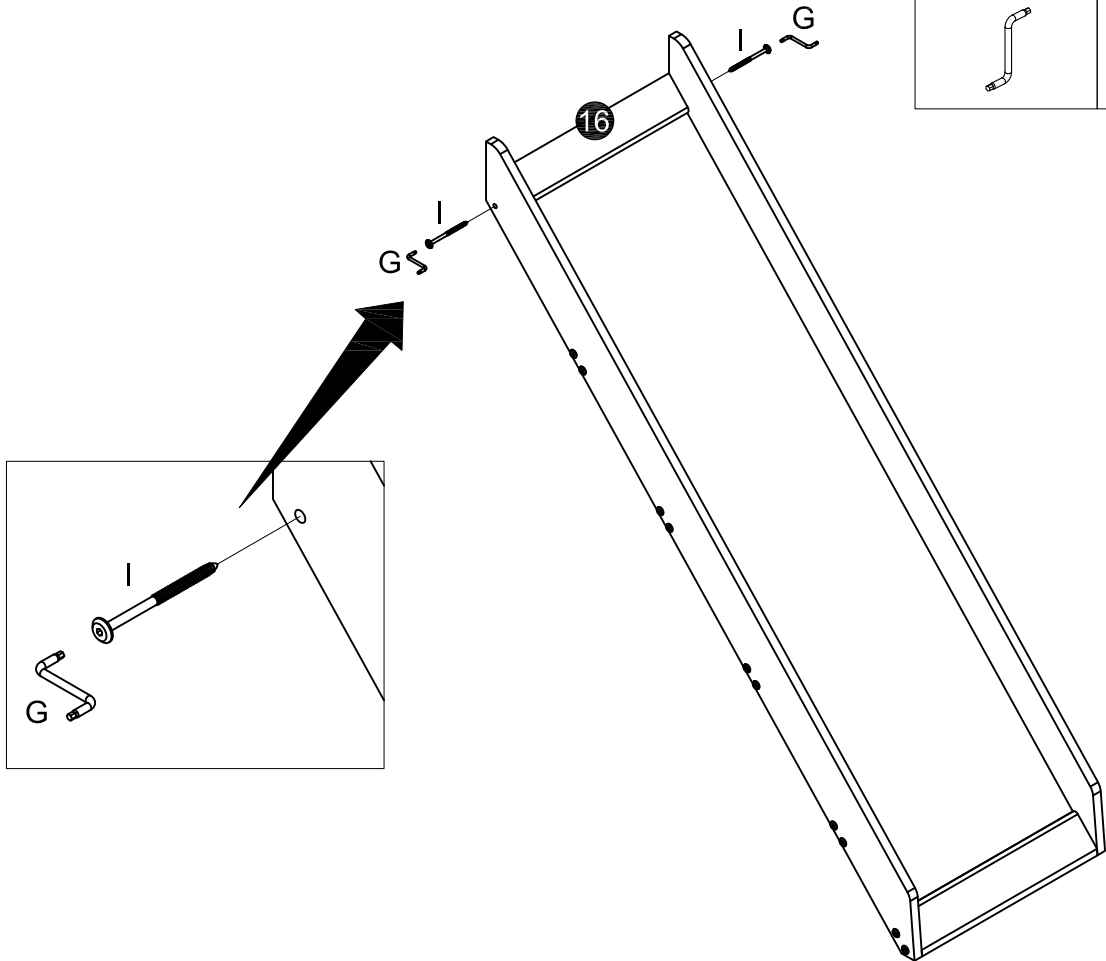
Ø6 x70mm



11

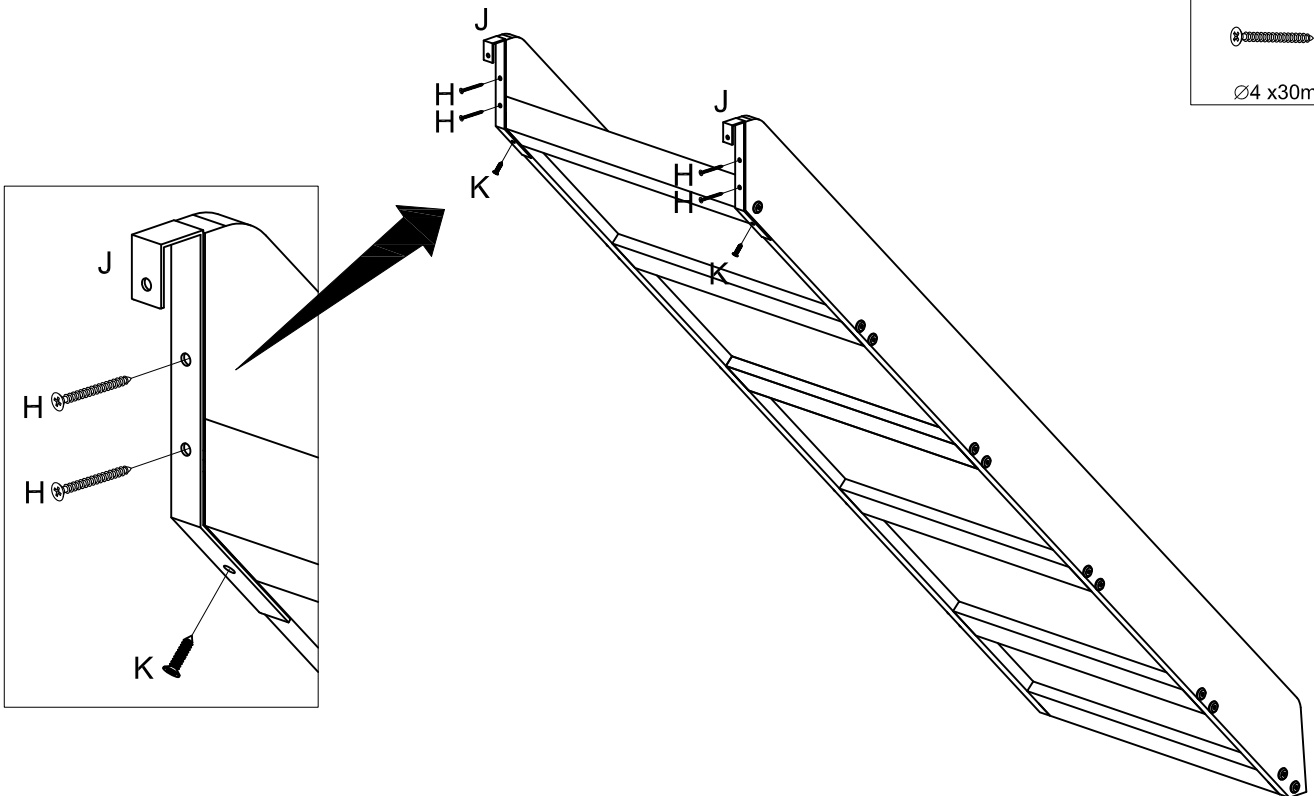


12



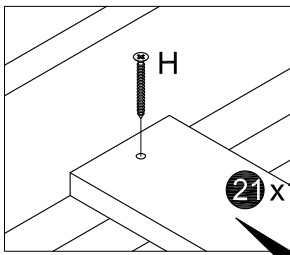
G x1	I x2
	Ø6 x70mm

13



J x2	K x2
	Ø4 x16mm
	H x4
	Ø4 x30mm

14

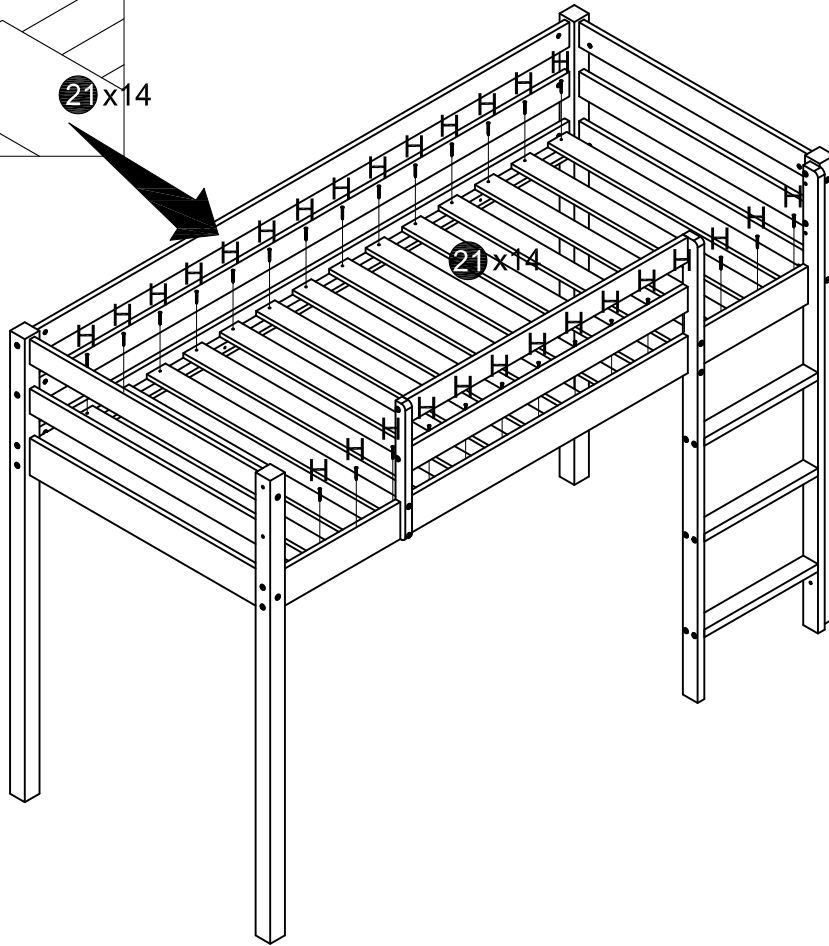


21 x 14

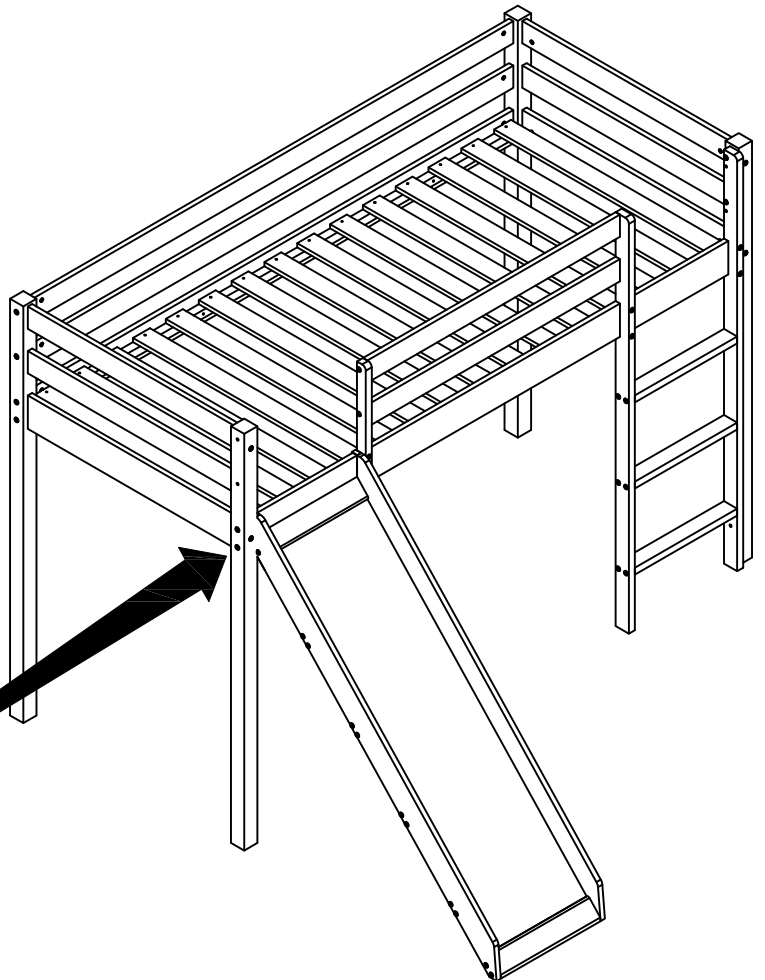
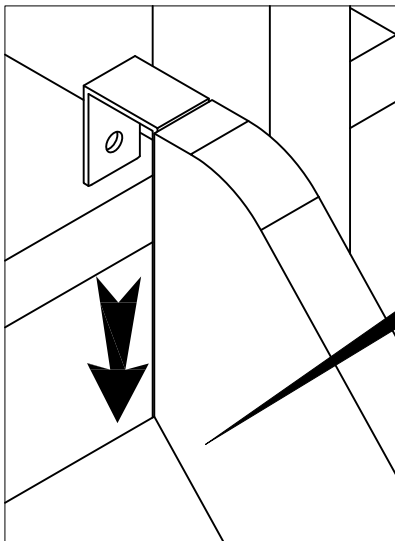
H x 28




Ø4 x 30mm

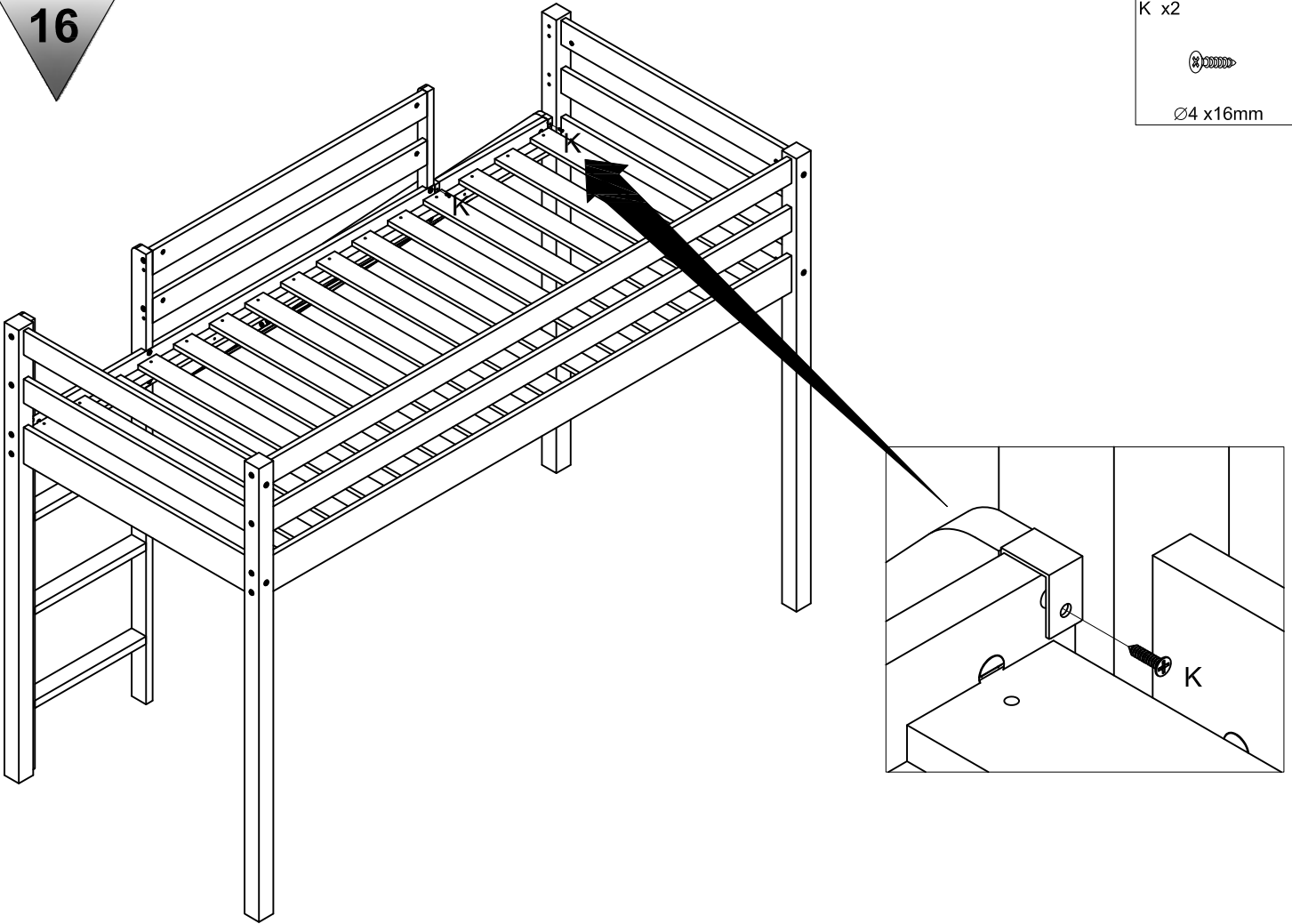


15



16

K x2

Ø4 x16mm



17

L x12
