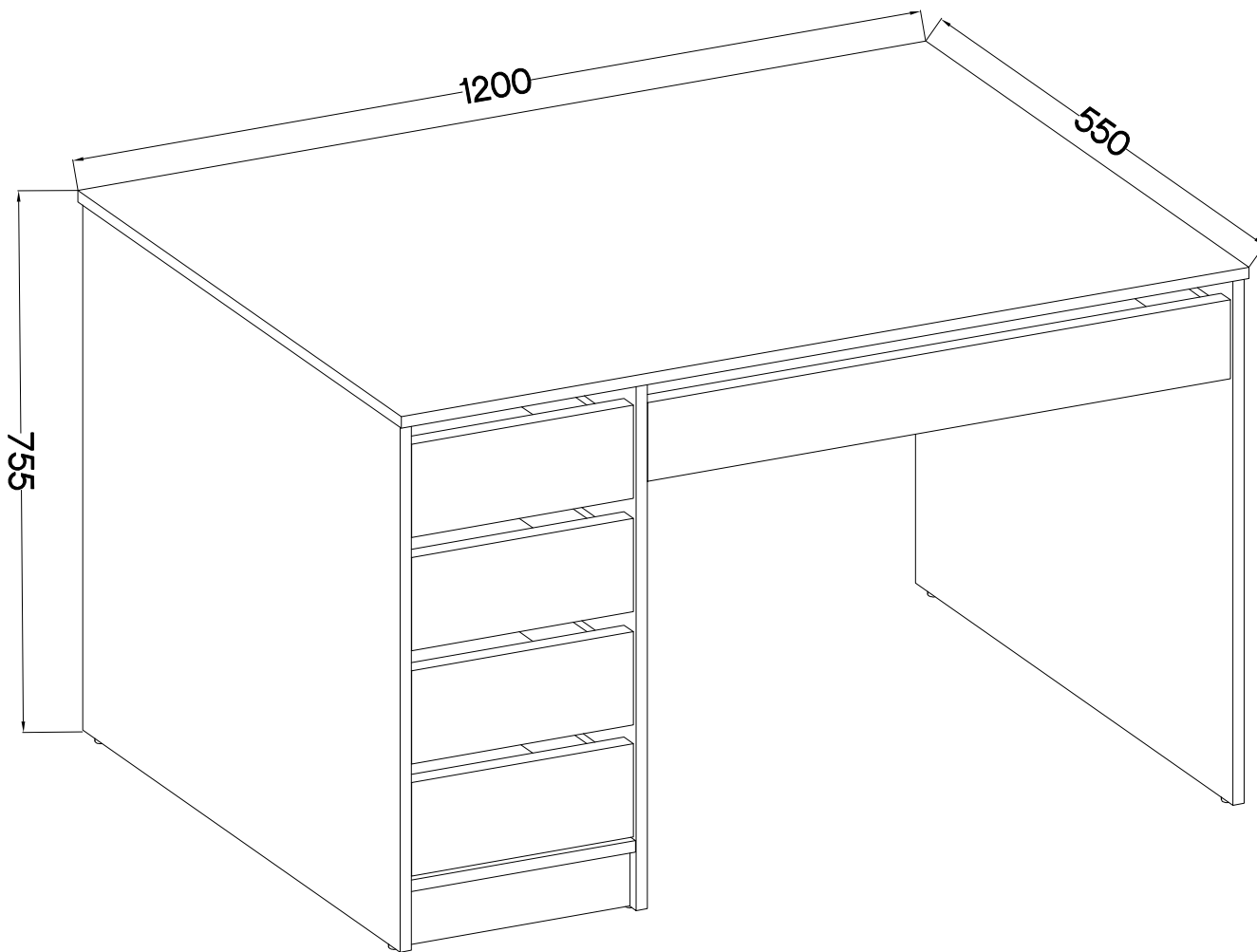
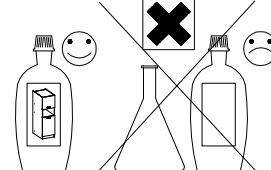
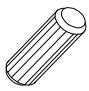










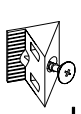

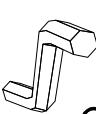





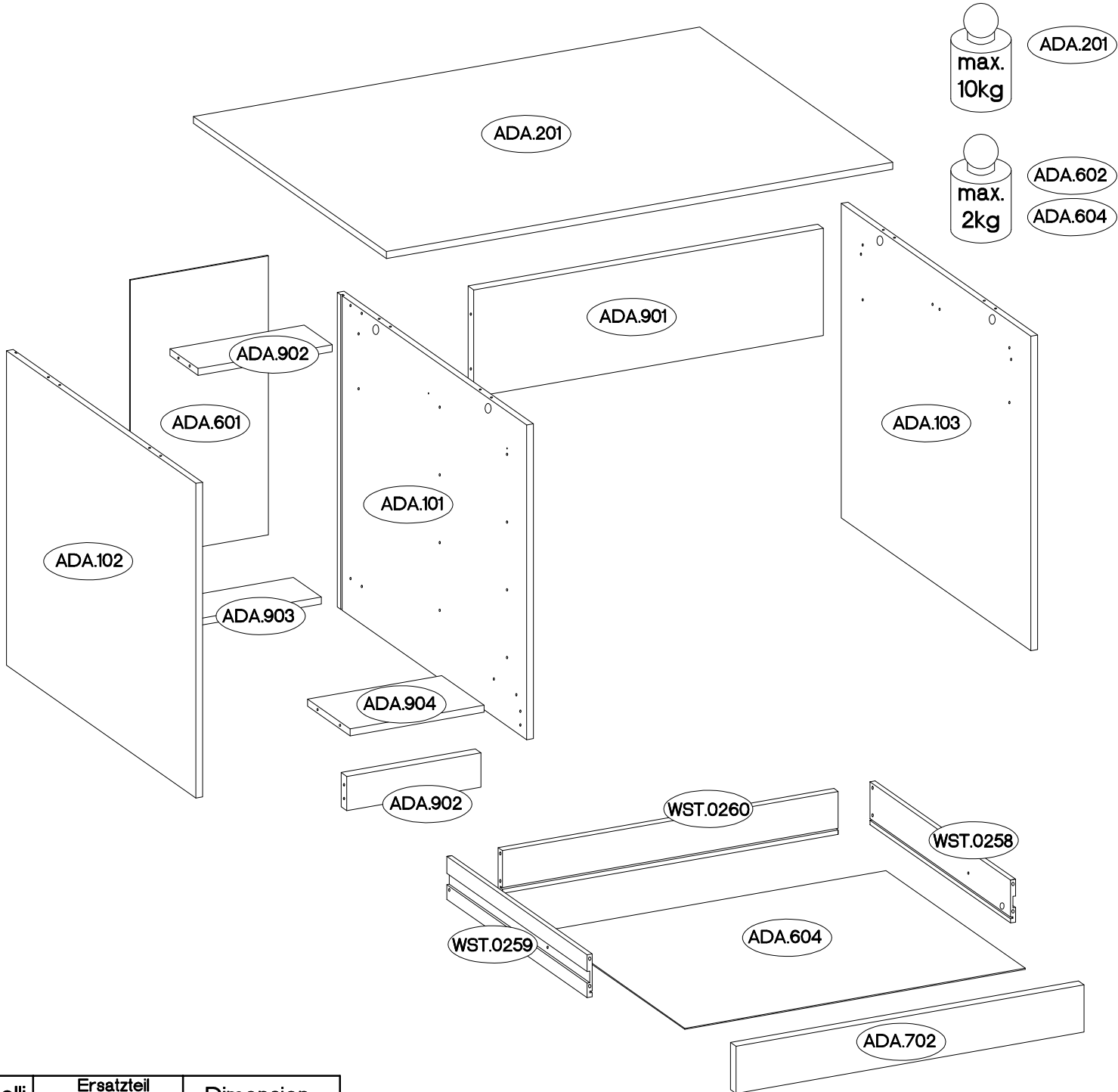
150 min

ADA NEW

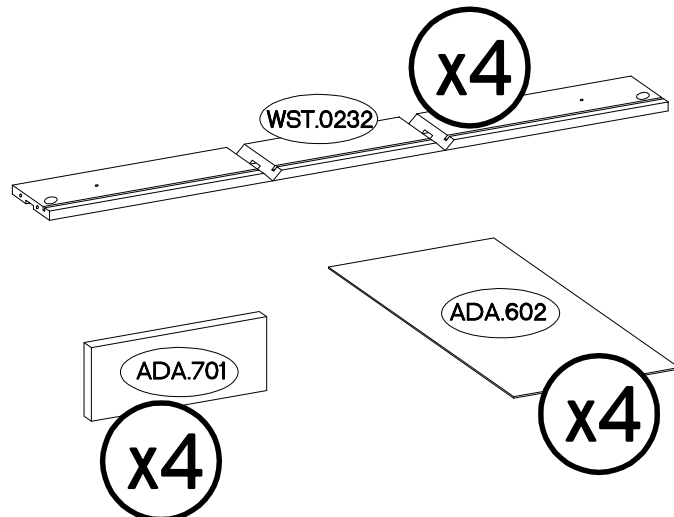


 A 30	 B 6	 B2 2	 C 8	 C5 10	 D9 18	 E 6	 E1 4	 F4 6	 I2 4
 I4 1	 L 4	 M 20	 O 1	 O11 1	 P7 8-10	 U1 10			

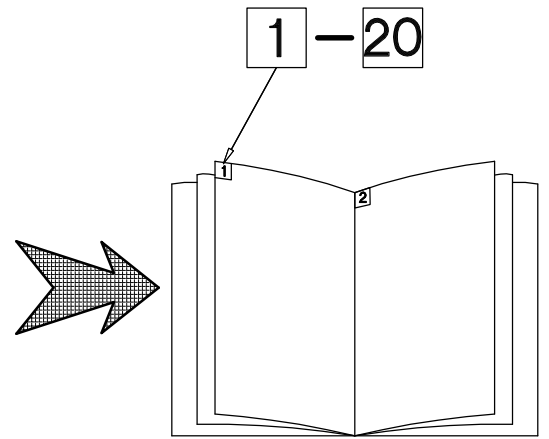
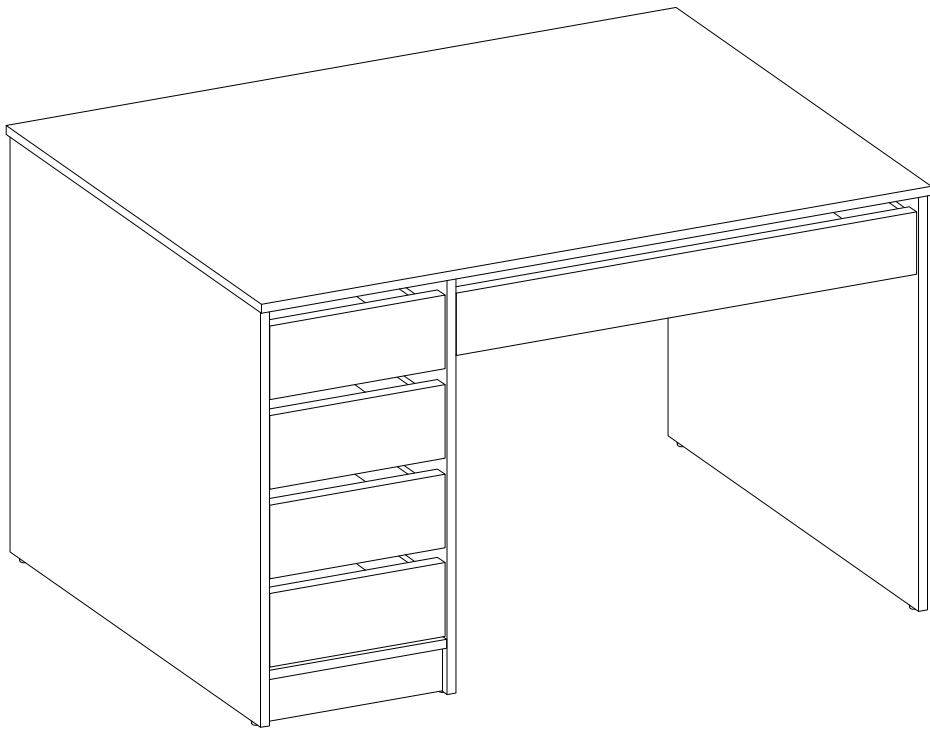
ISM-ADA-001



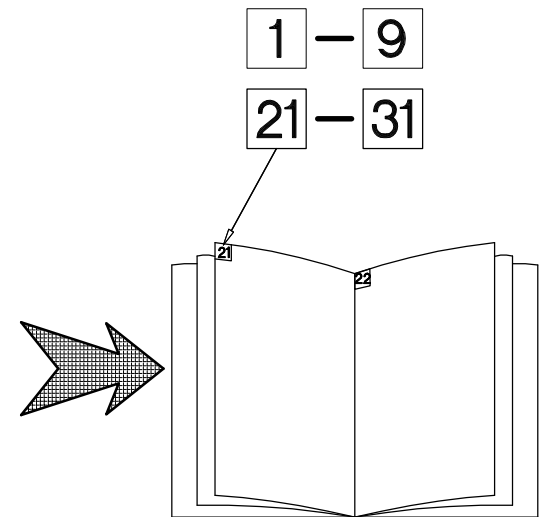
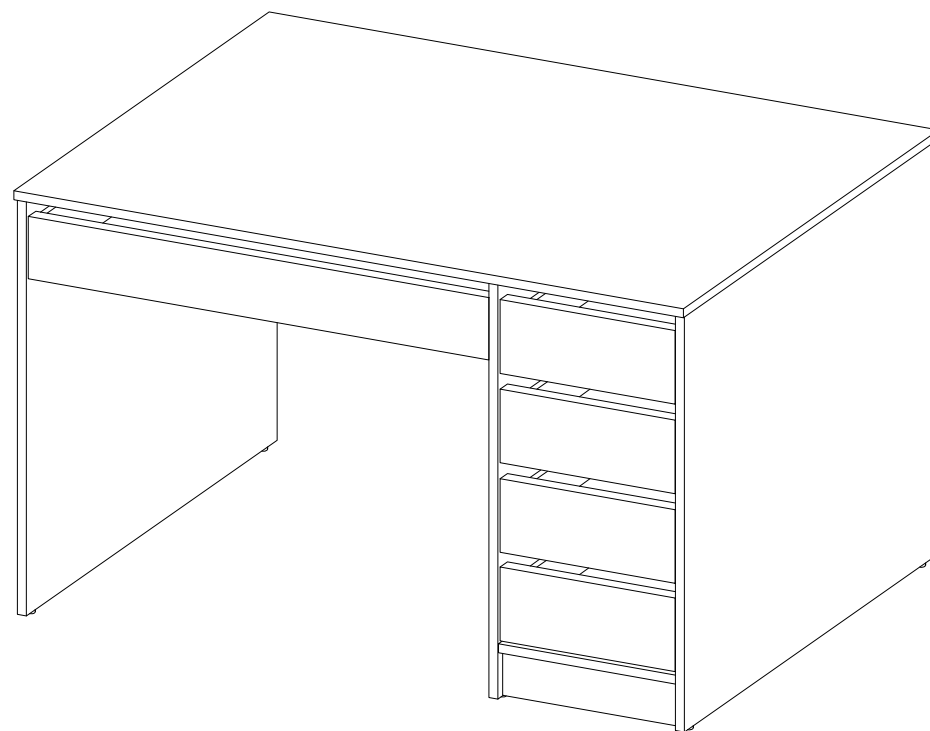
Colli	Ersatzteil Nummer	Dimension
Colli 1/1	ADA.101	734x540x16
	ADA.102	734x540x16
	ADA.103	734x540x16
	ADA.201	1200x550x16
	ADA.601	651x327x2,5
	ADA.602x4	296x399x2,5
	ADA.604	807x397x2,5
	ADA.701 x4	130x314x16
	ADA.702	110x825x16
	ADA.901	829x250x16
	ADA.902 x2	318x80x16
	ADA.903	318x80x16
	ADA.904	318x121x16
	WST.0258	400x100x12
	WST.0259	400x100x12
	WST.0260	796x100x12
	WST.0232 x 4	(400x309x400)x80x12




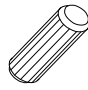
VARIANT L

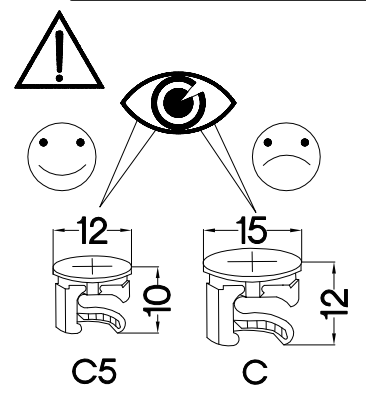
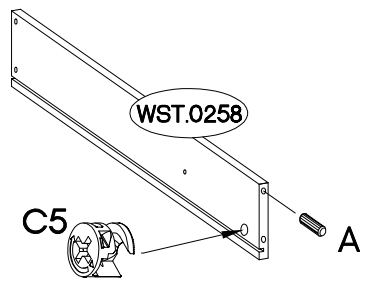
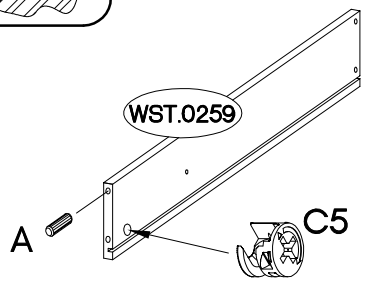
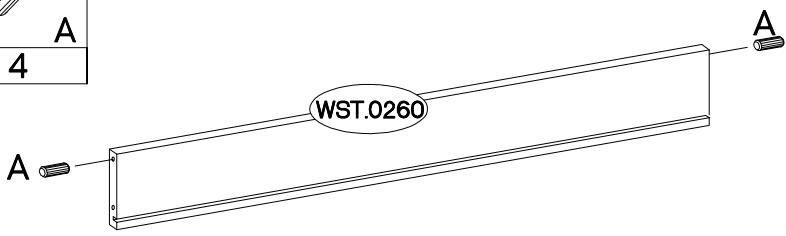
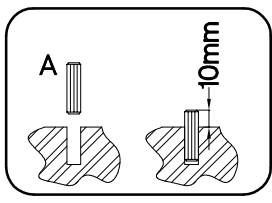
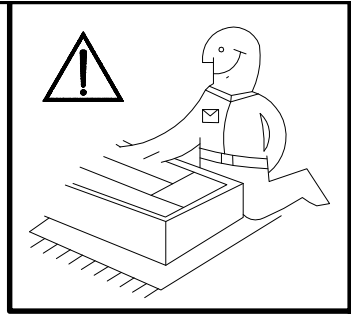


VARIANT R




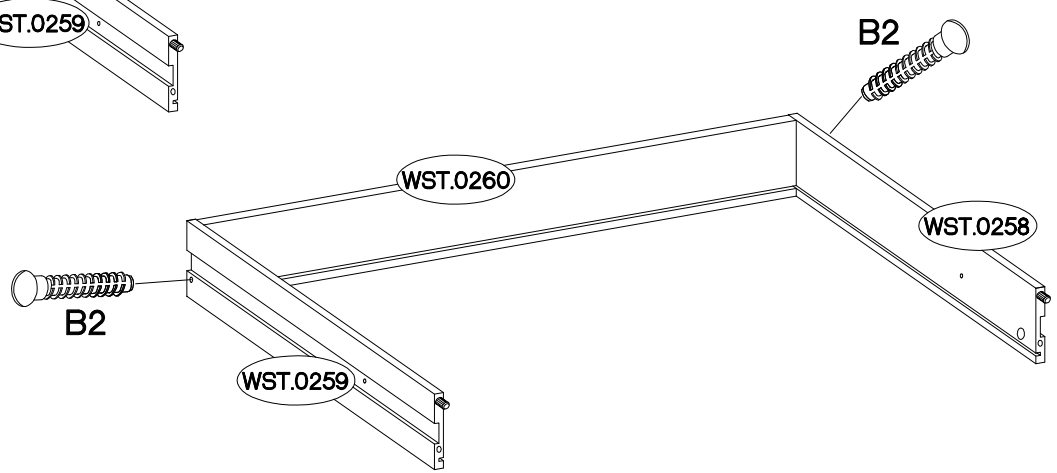
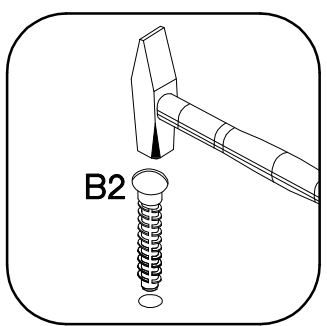
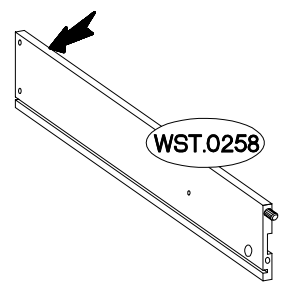
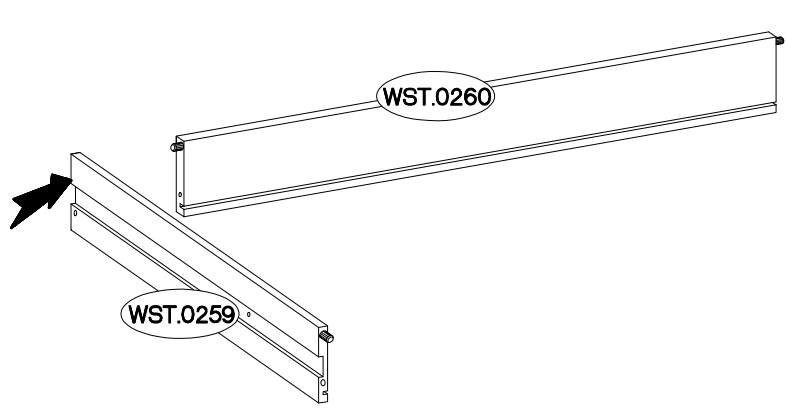
1

$\pm 12/10\text{mm}$  C5 2	$\pm 8 \times 30\text{mm}$  A 4
--	---




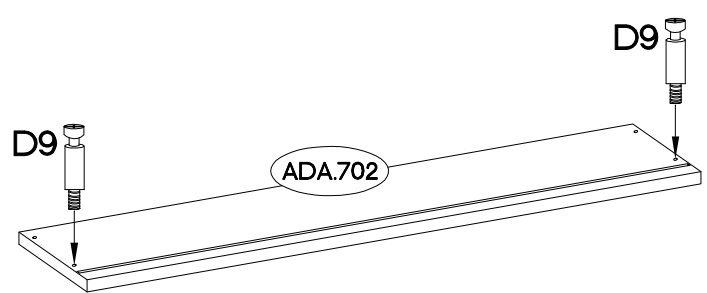
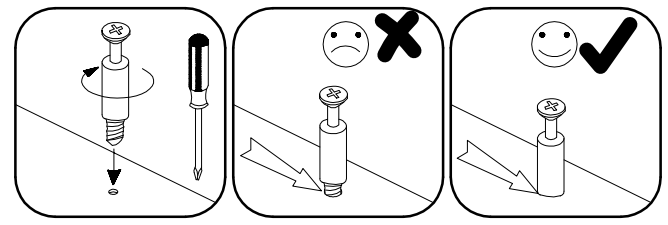
2

$\pm 6 \times 42\text{mm}$  B2 2

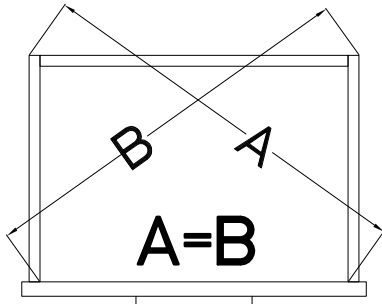
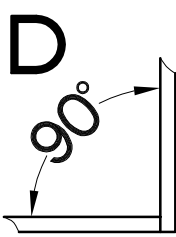
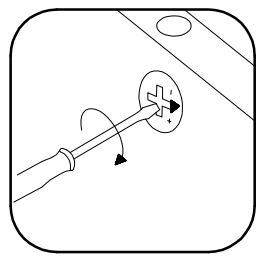
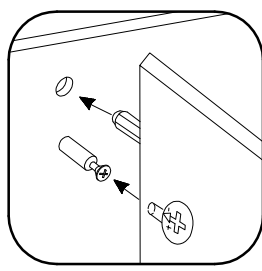
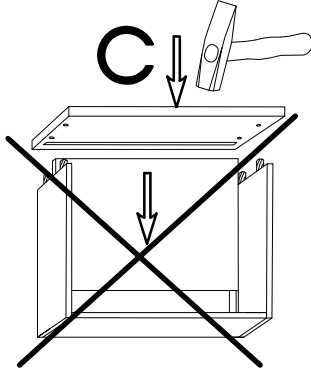
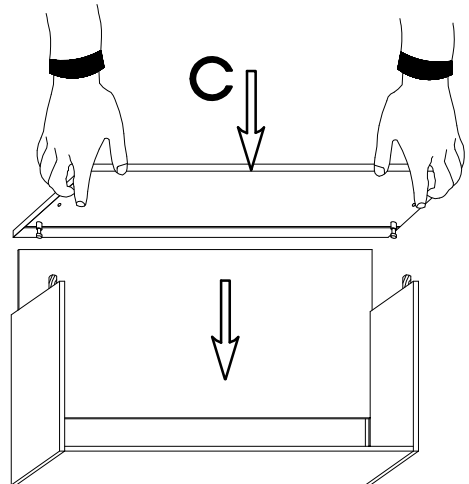
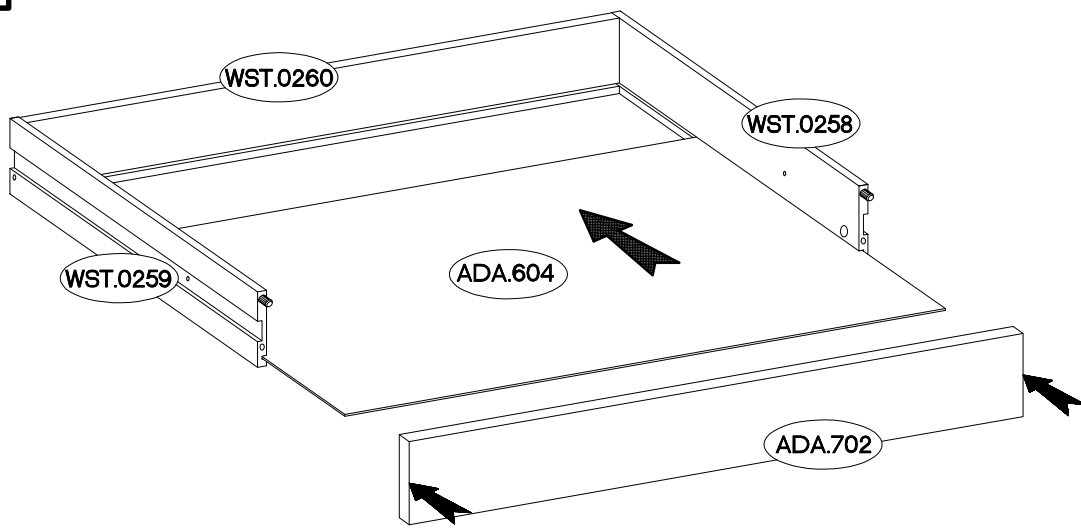
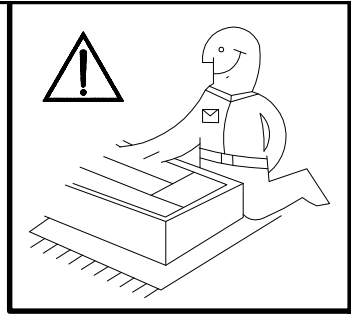


3

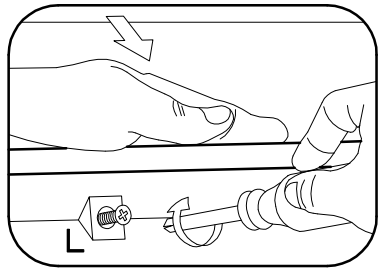
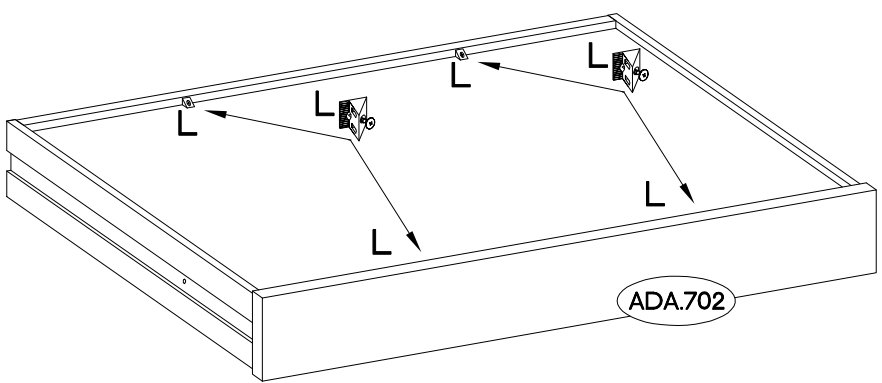
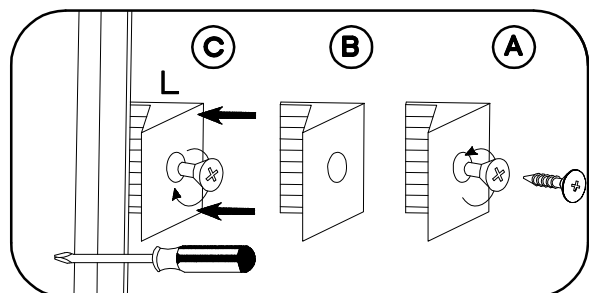
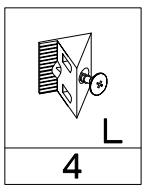
$L=20/8\text{mm}$  D9 2
--



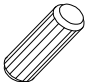

4

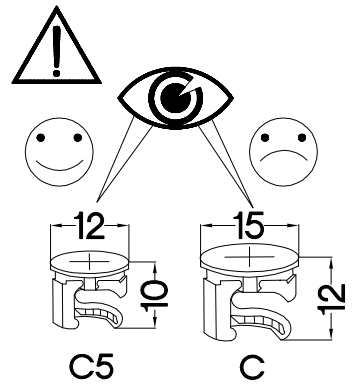
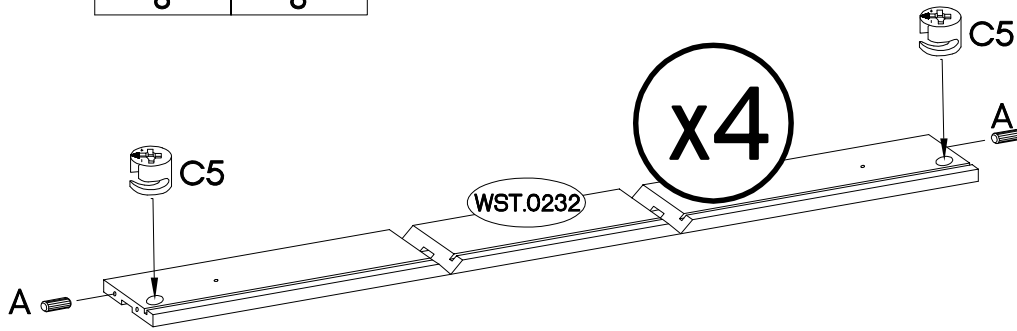
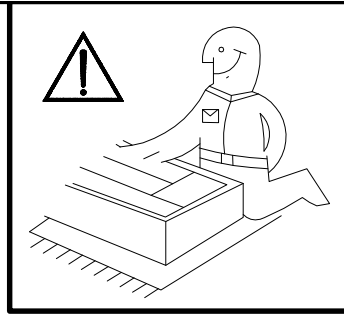


5




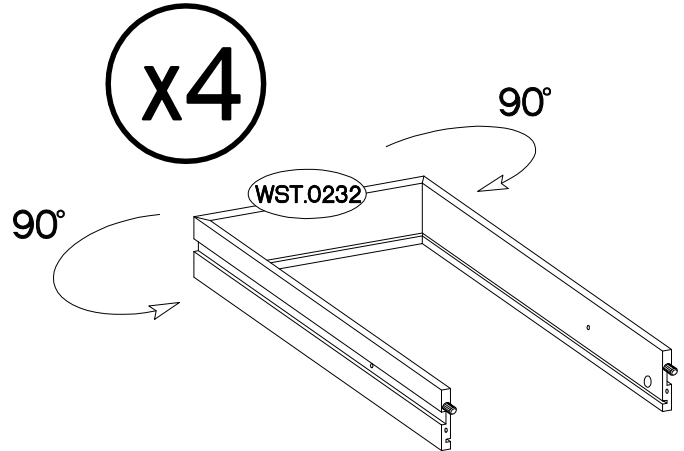
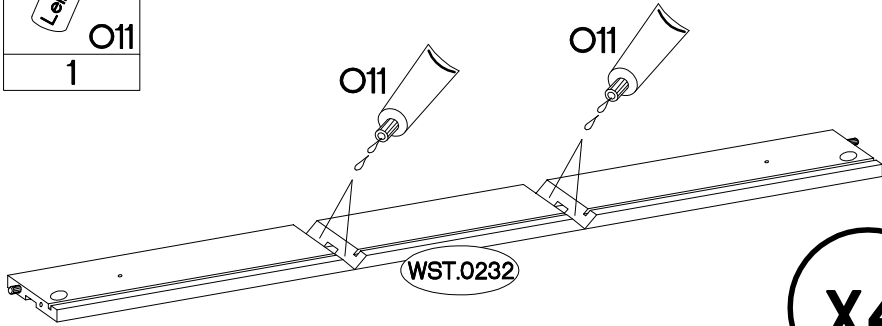
6

†8x30mm  A 8	†12/10mm  C5 8
---	---




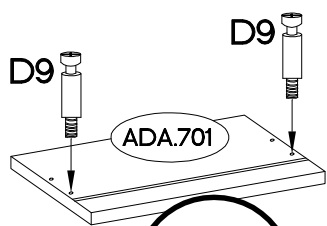
7

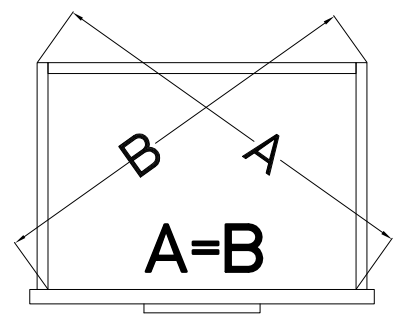
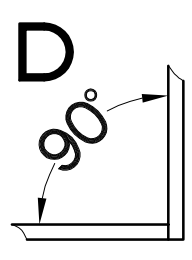
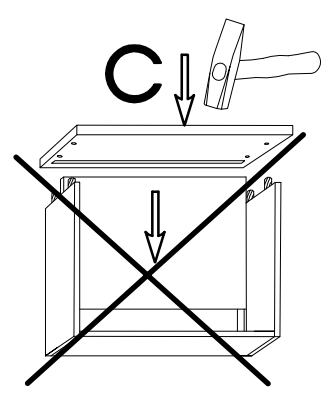
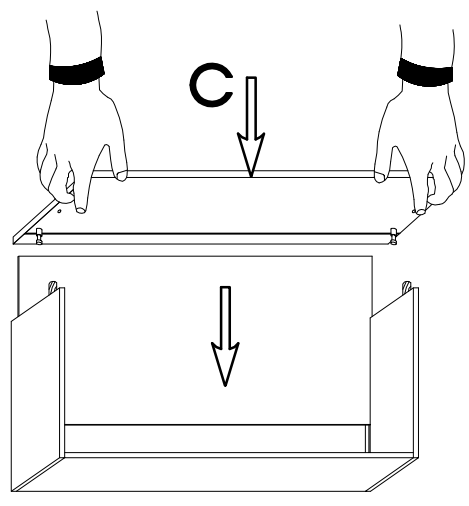
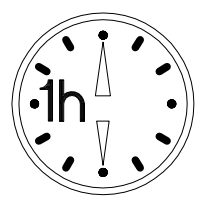
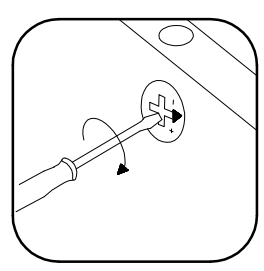
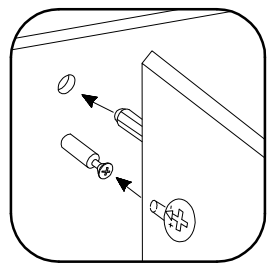
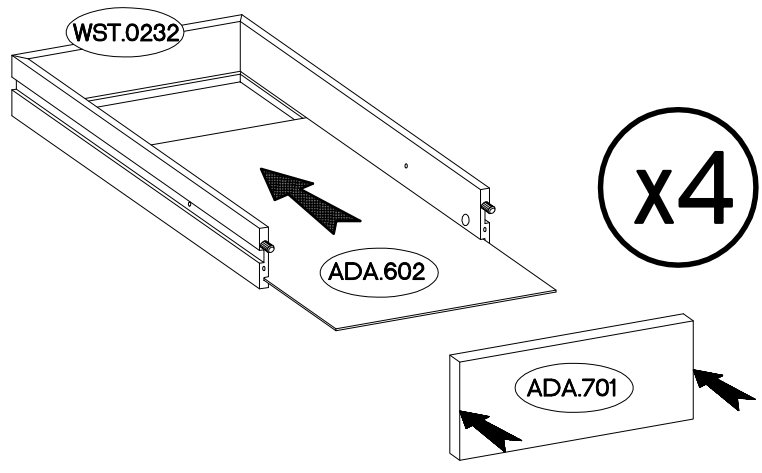
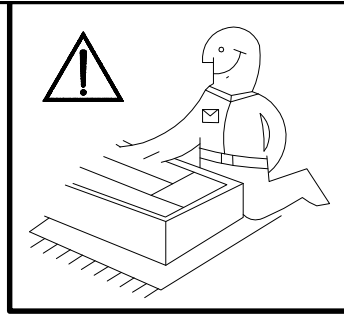
0,05  O11 1



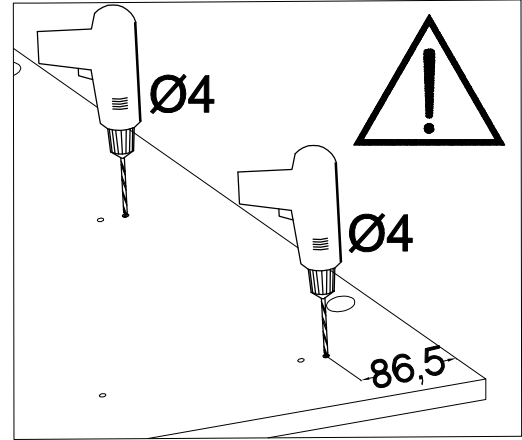
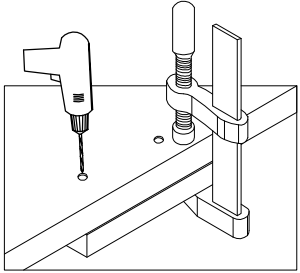
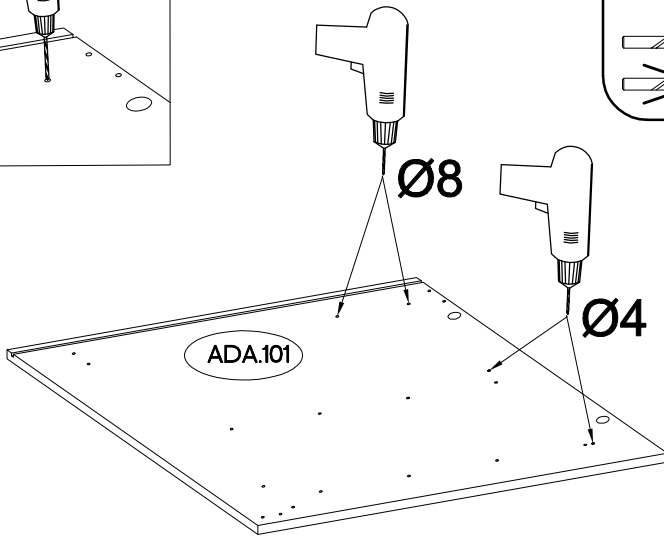
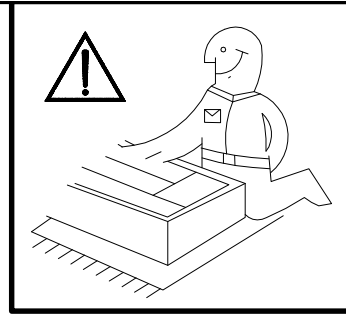
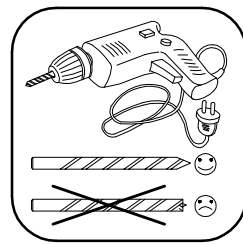
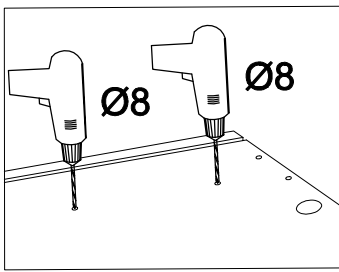
8

L=20/8mm  D9 8
--



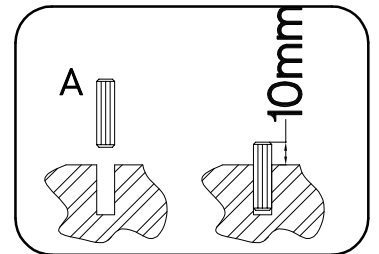
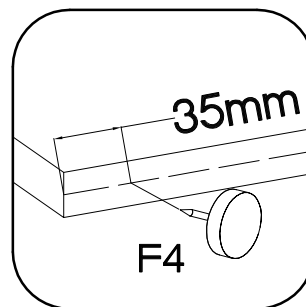
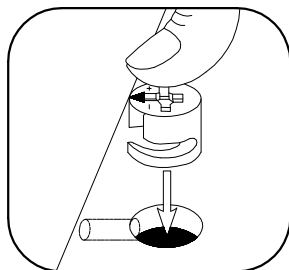
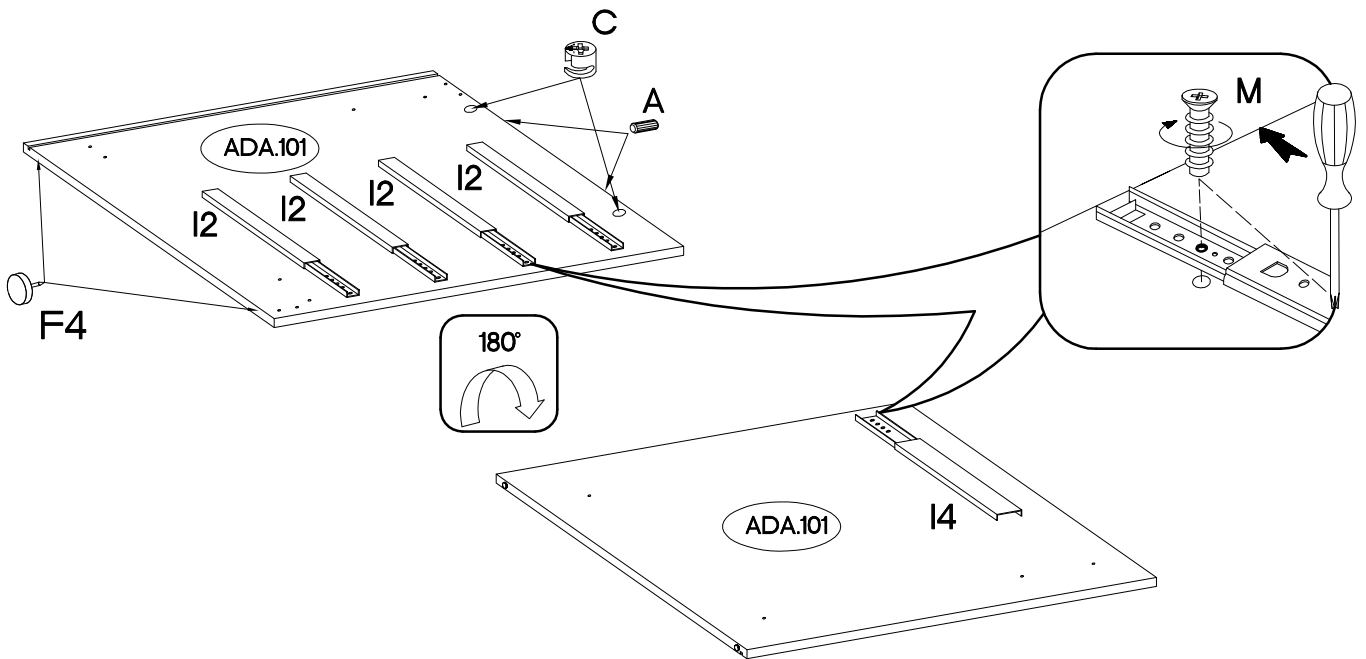


10

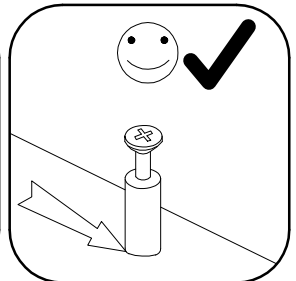
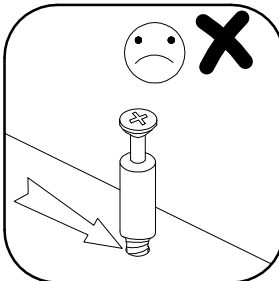
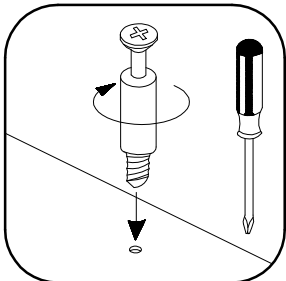
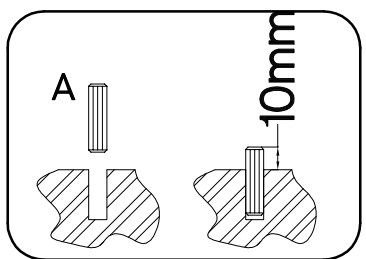
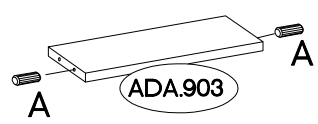
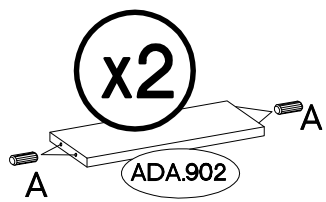
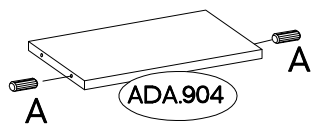
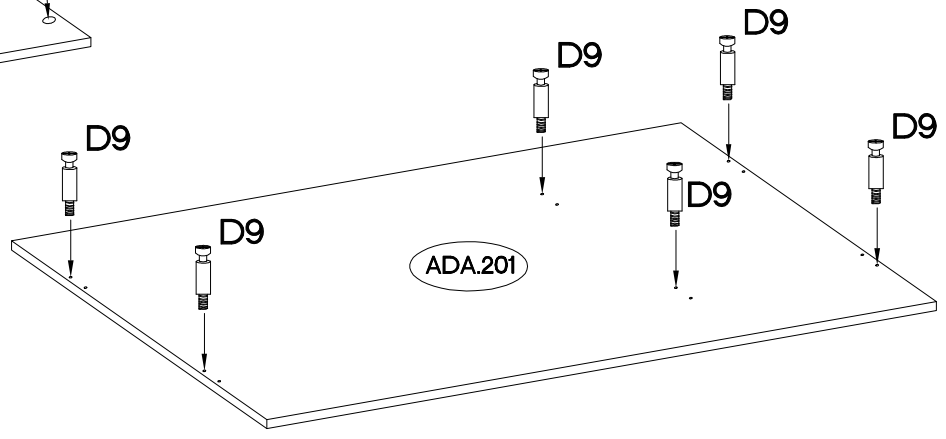
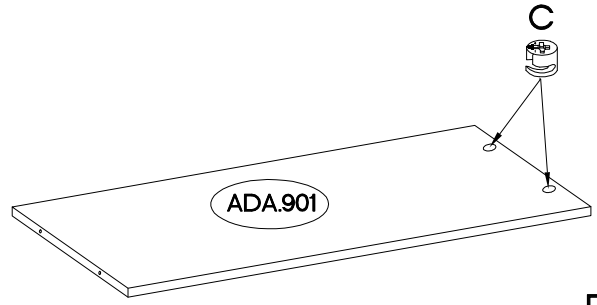
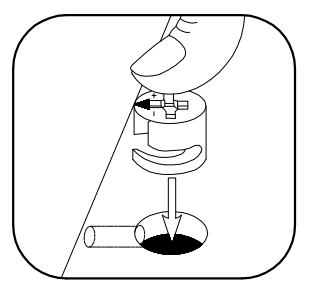
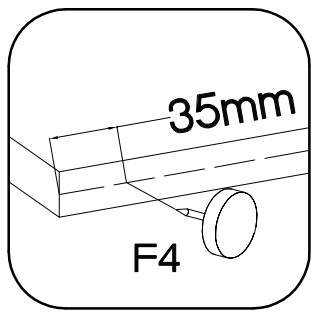
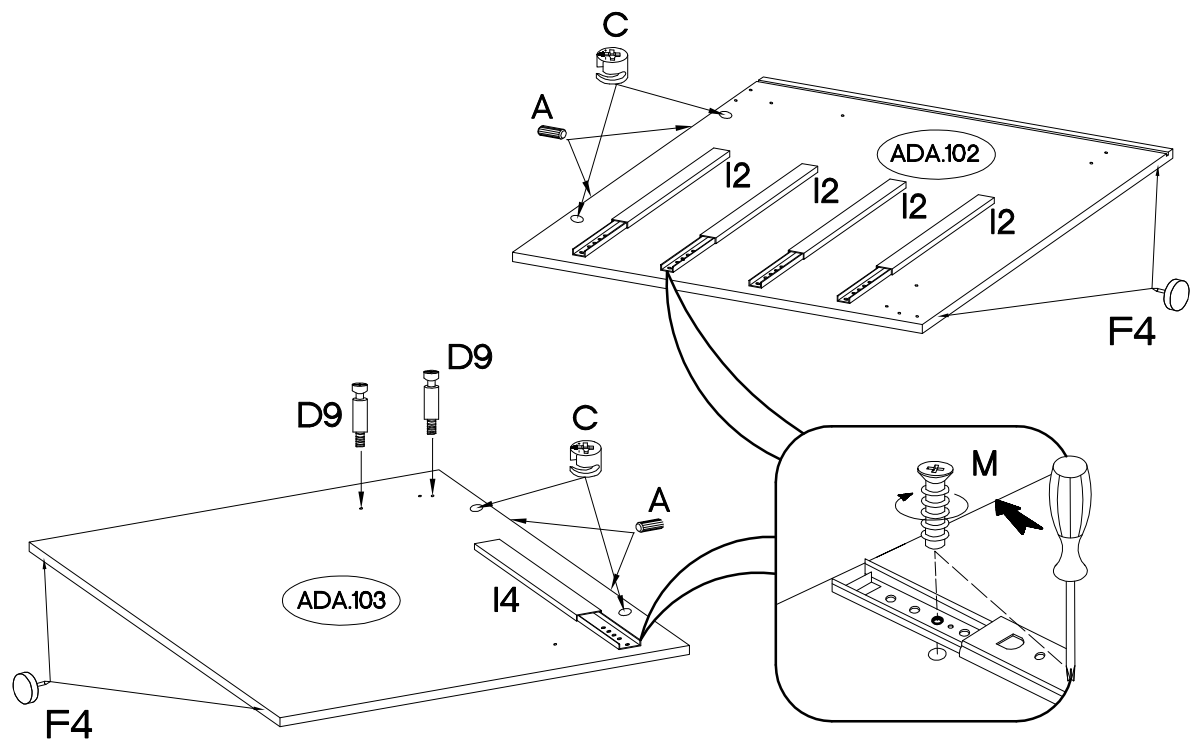
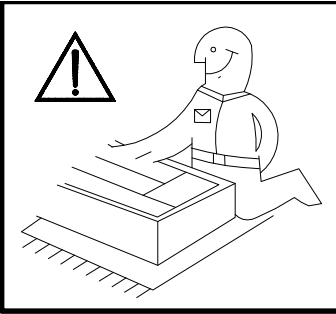


11

<p>†8x30mm</p> <p>A</p> <p>2</p>	<p>†15/12mm</p> <p>C</p> <p>2</p>	<p>†15x5mm</p> <p>F4</p> <p>2</p>	<p>17/310mm</p> <p>I2</p> <p>4</p>	<p>27/310mm</p> <p>I4</p> <p>1</p>	<p>†5.0x13mm</p> <p>M</p> <p>10</p>
----------------------------------	-----------------------------------	-----------------------------------	------------------------------------	------------------------------------	-------------------------------------

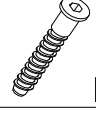




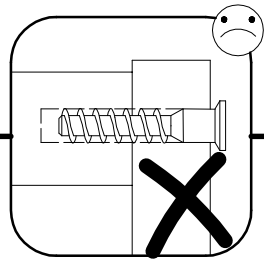
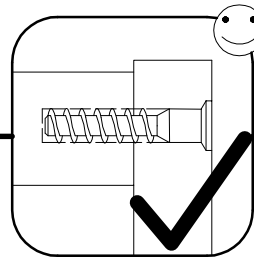
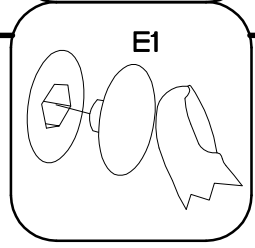
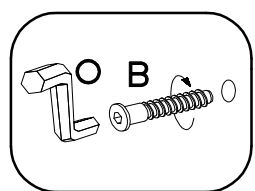
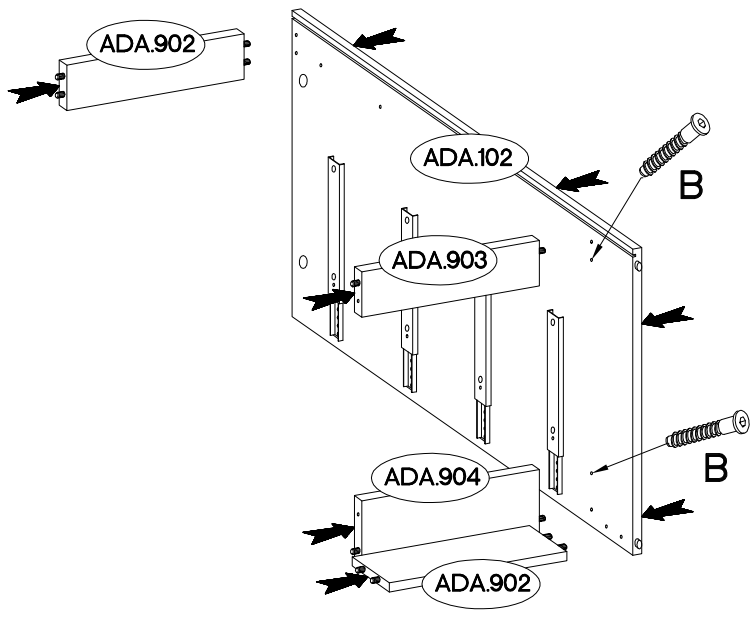
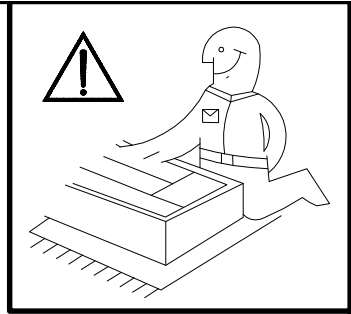
±8x30mm	±15/12mm	L=20/8mm	±15x5mm	17/310mm	27/310mm	±5.0x13mm
16	6	8	4	4	1	10



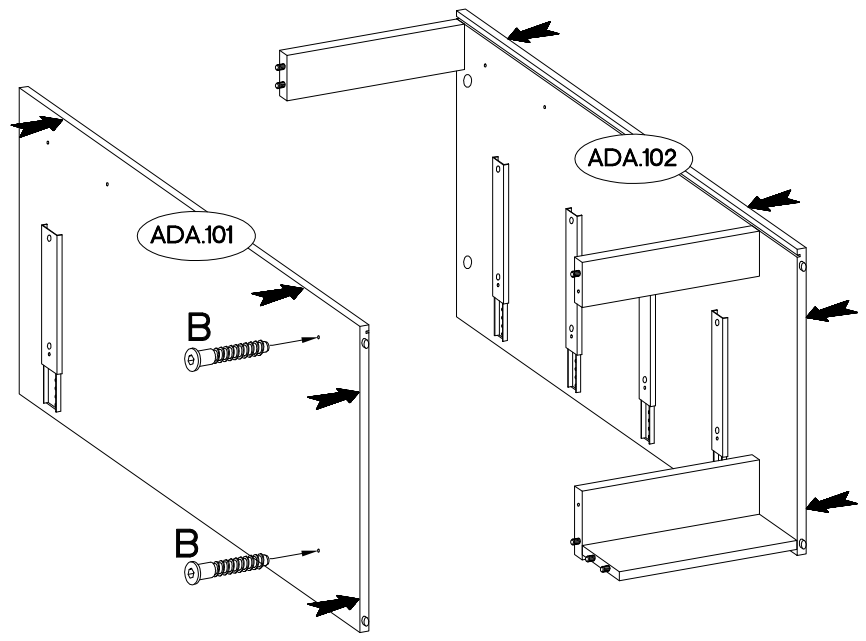
13

6,4 x 50mm

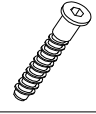


		
B	E1	O
2	2	1



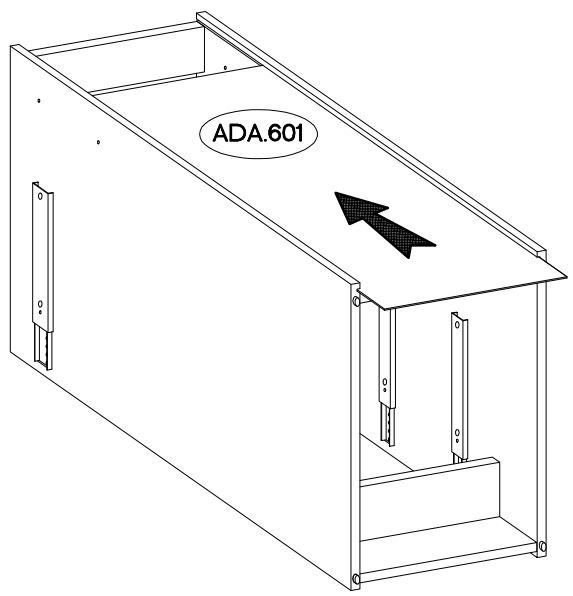
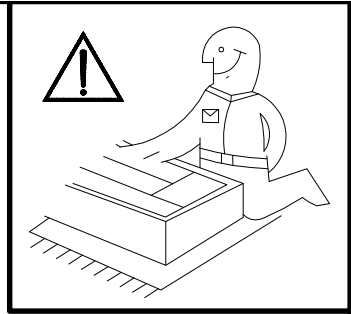
14



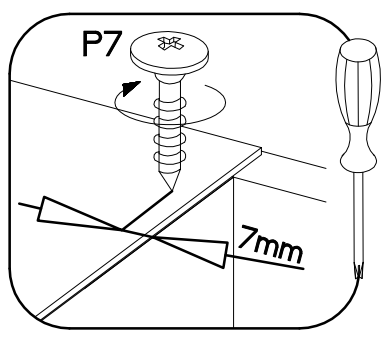
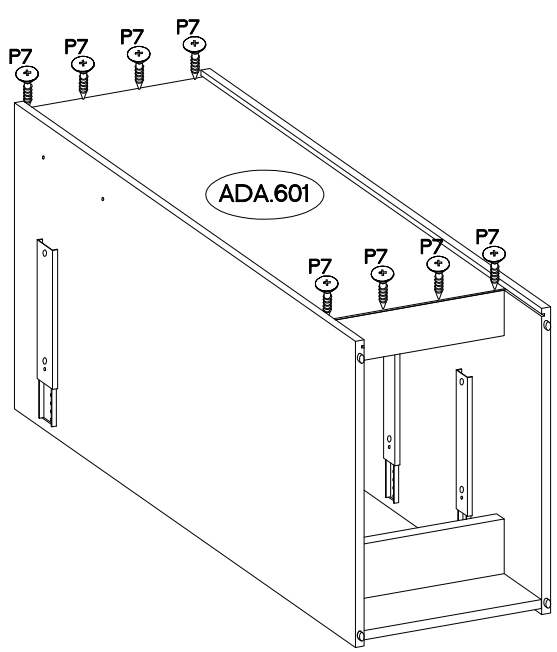
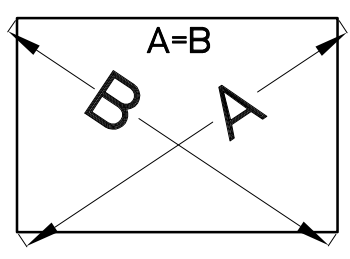
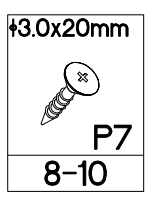
6,4 x 50mm

		
B	E1	O
2	2	1


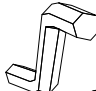
15

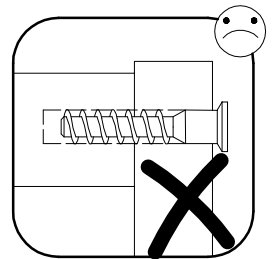
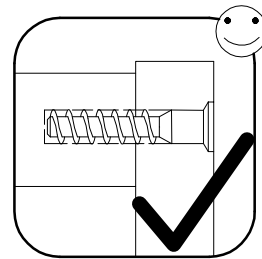
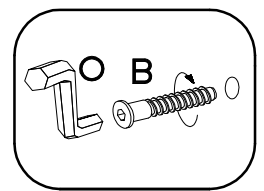
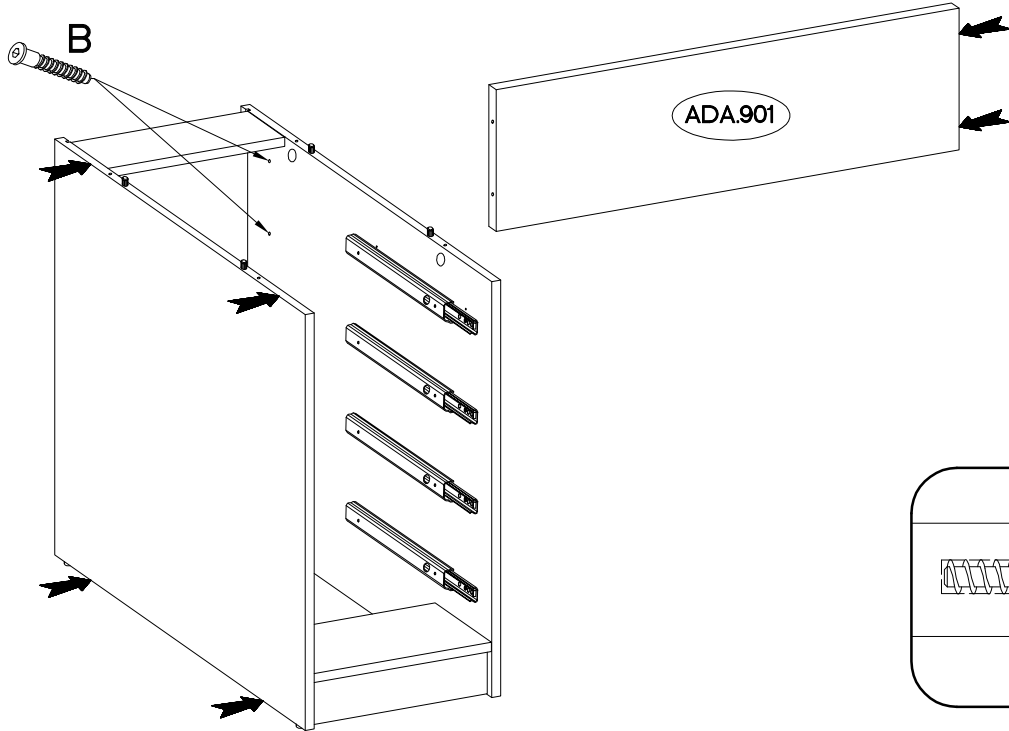
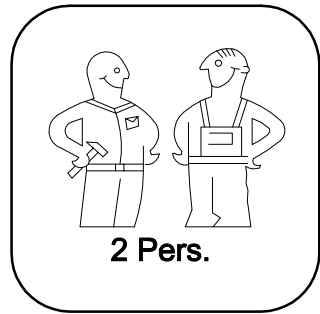


16

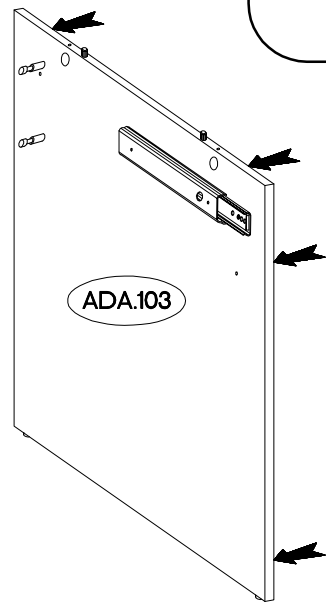
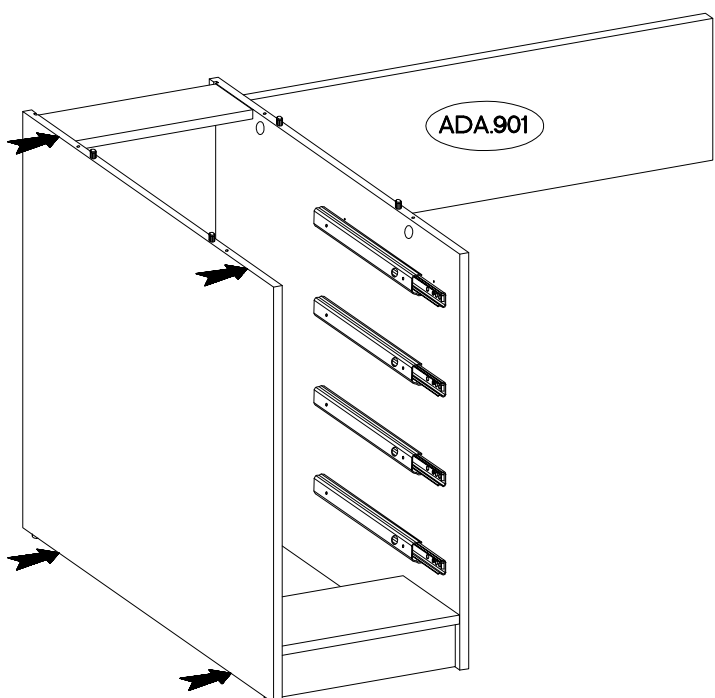
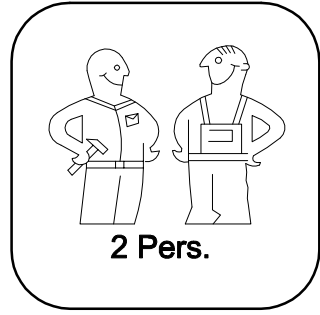
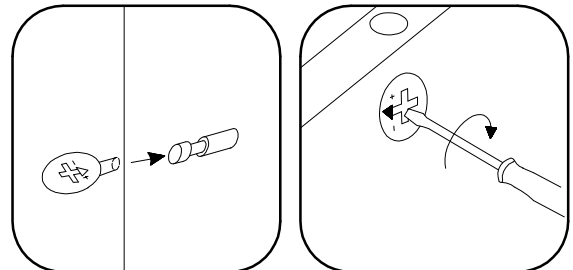


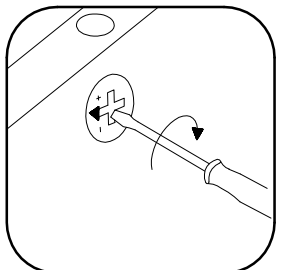
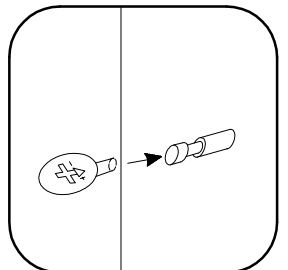
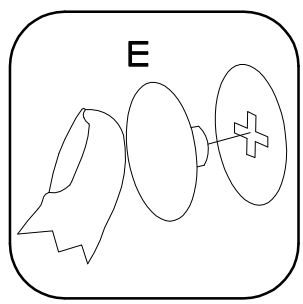
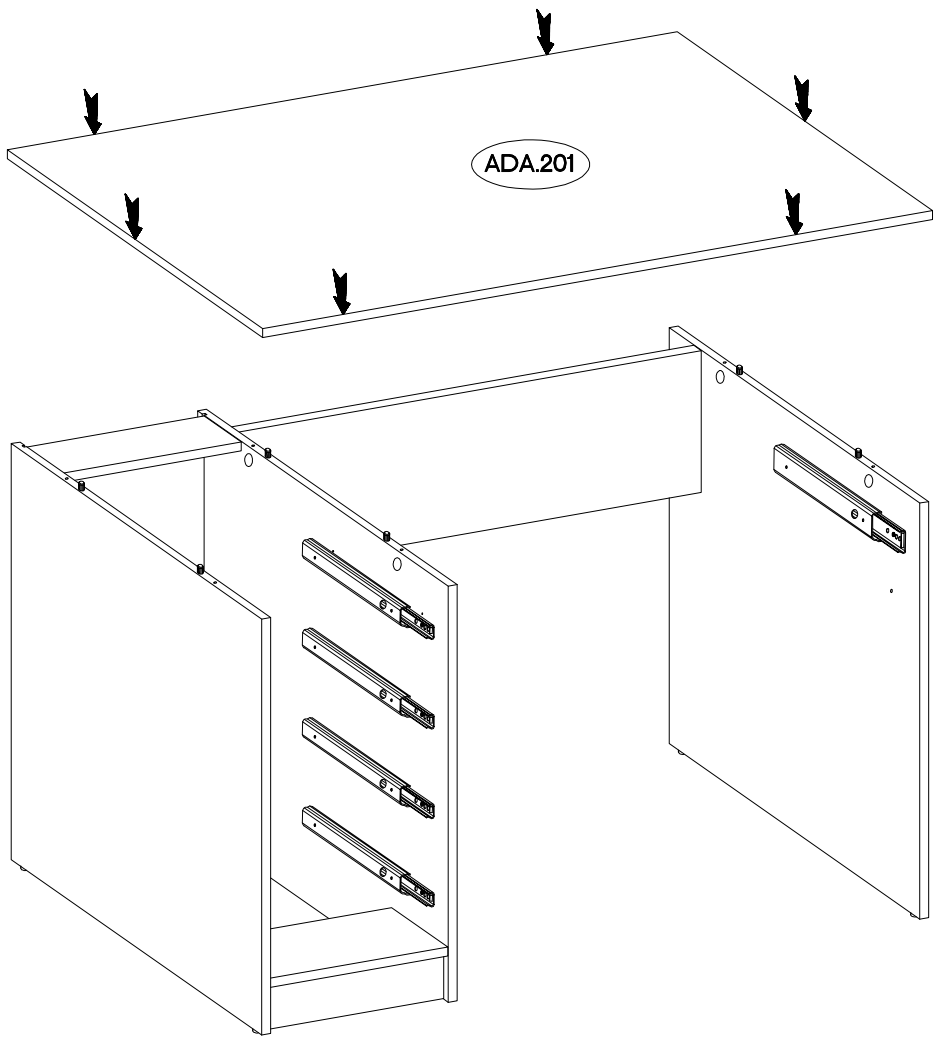
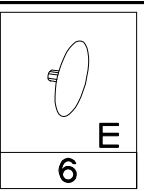
17


6,4 x 50mm	
	
B	O
2	1

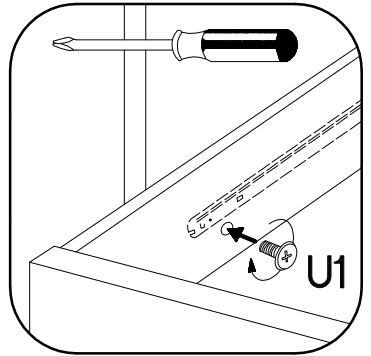
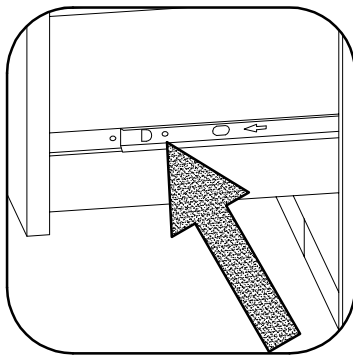
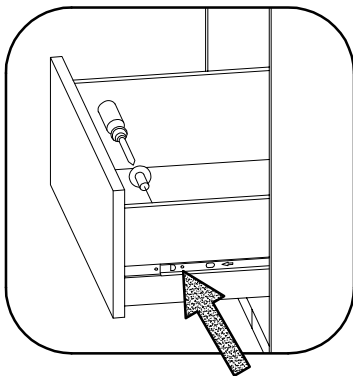
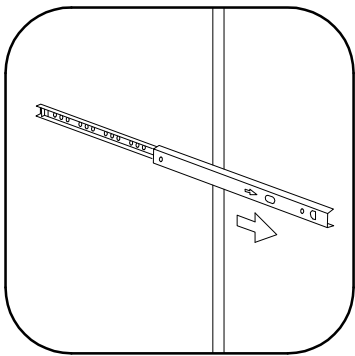
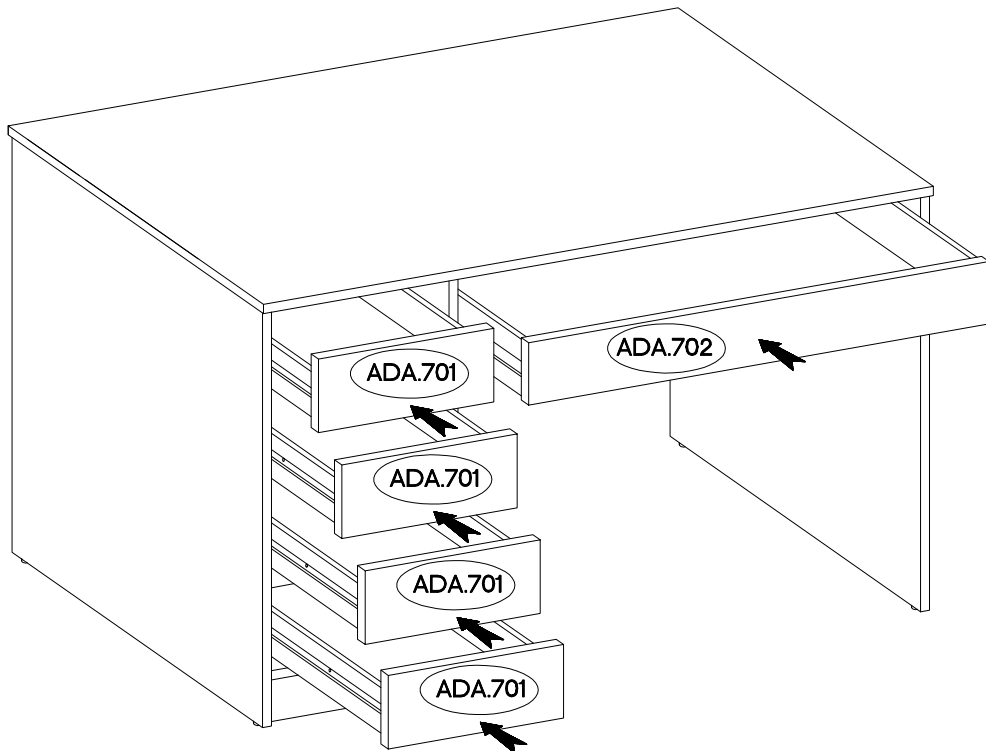


18

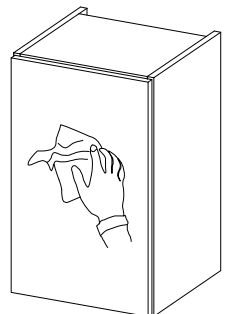
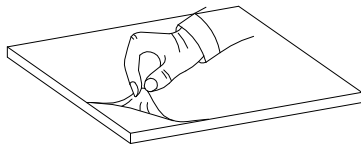




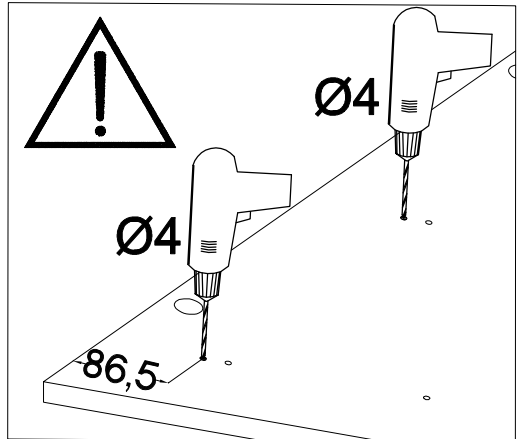
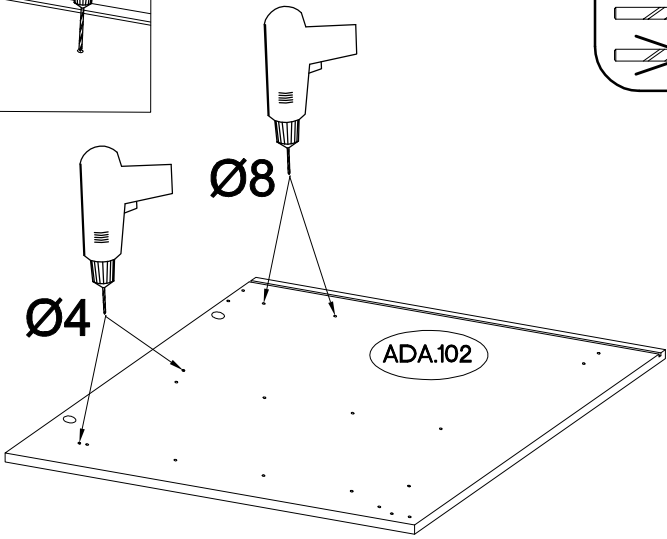
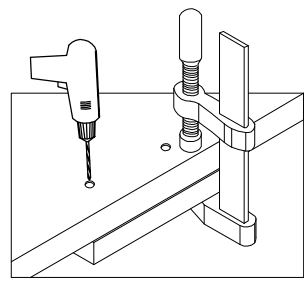
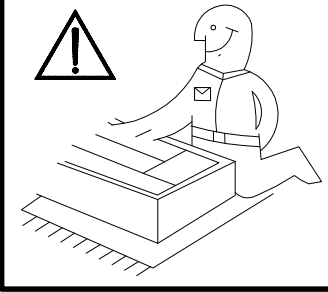
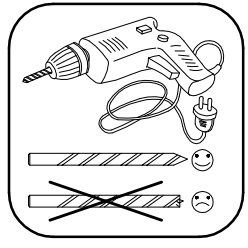
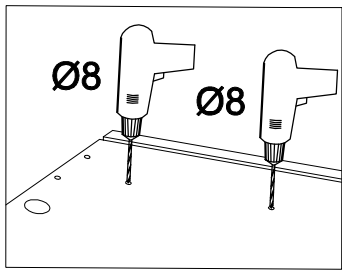
M4x9mm

U1
10



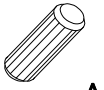


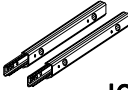
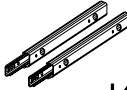

VARIANT HIGH GLOSS

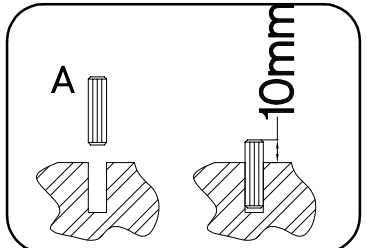
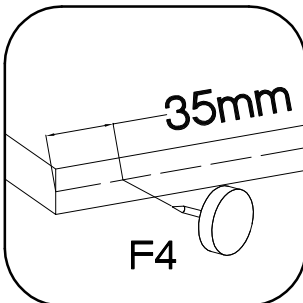
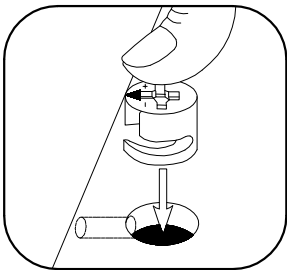
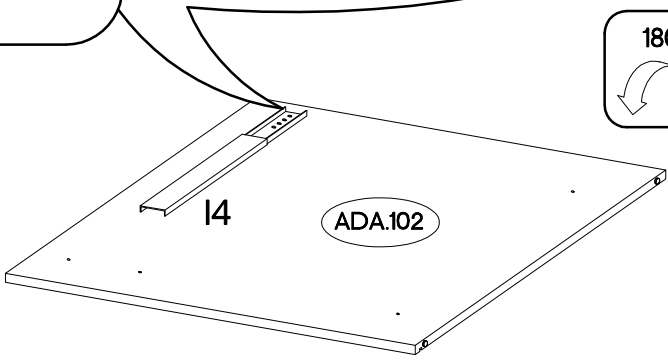
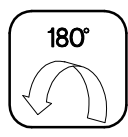
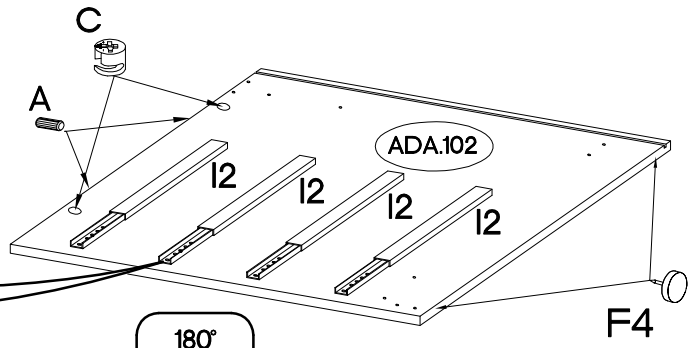
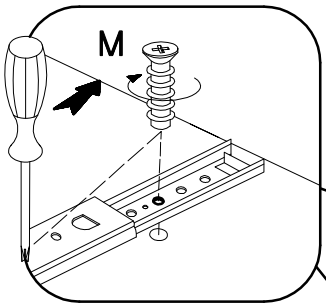


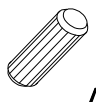



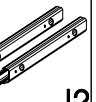
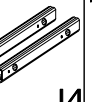

21

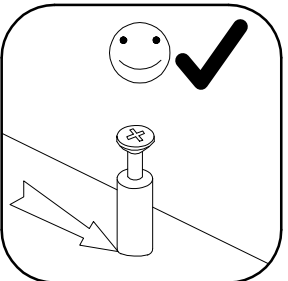
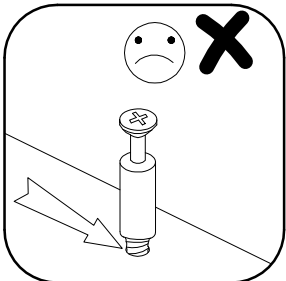
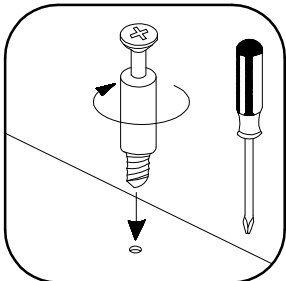
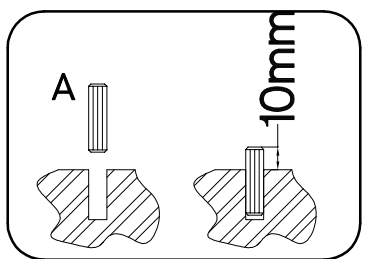
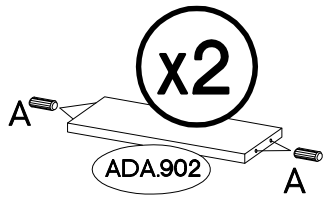
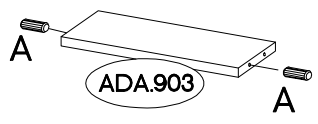
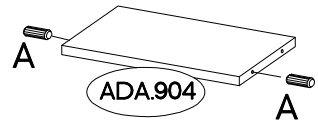
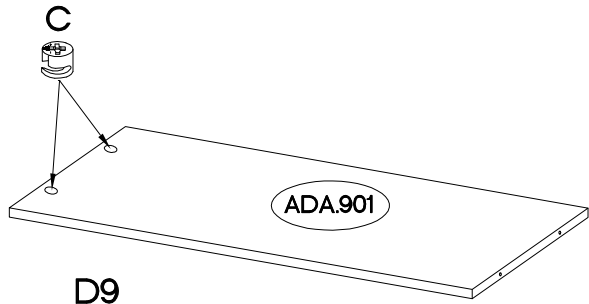
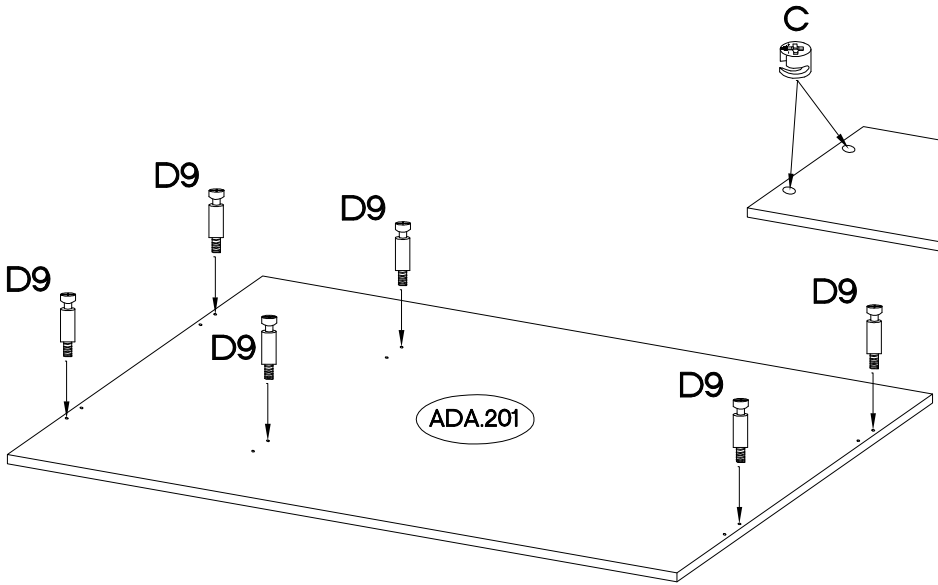
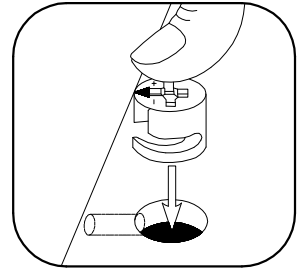
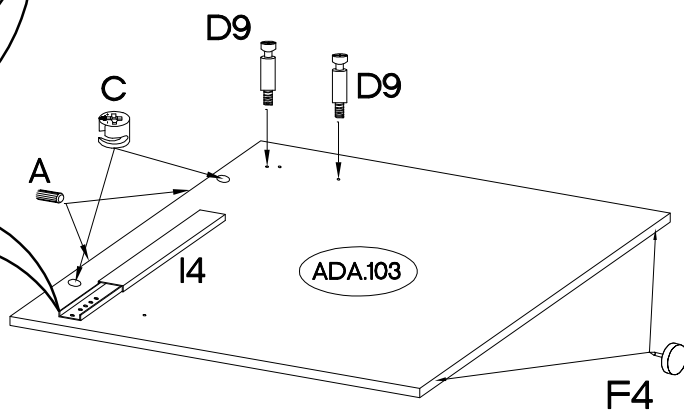
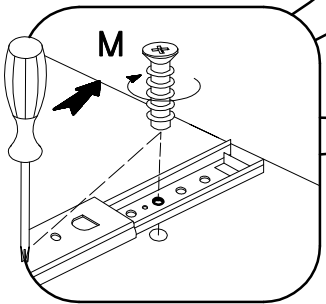
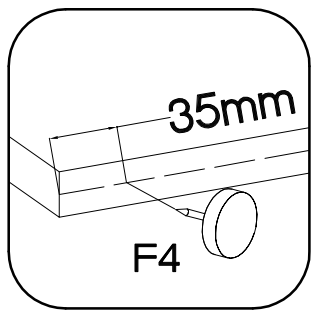
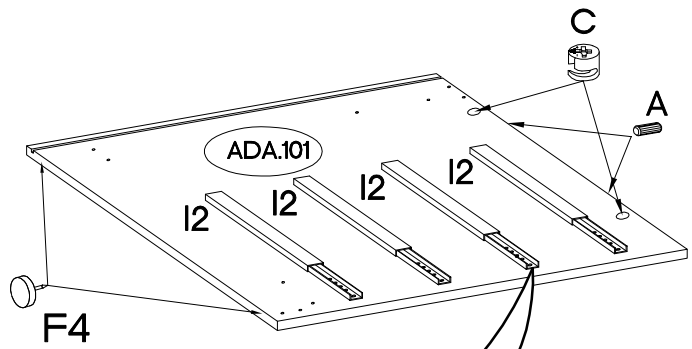
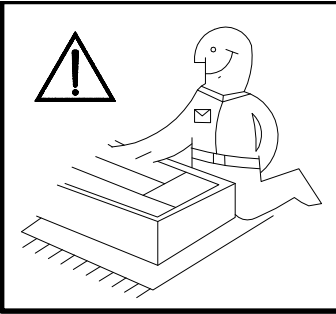


22

±8x30mm  A	±15/12mm  C	±15x5mm  F4	17/310mm  I2	27/310mm  I4	±5.0x13mm  M
2	2	2	4	1	10

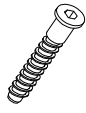




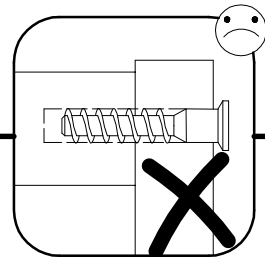
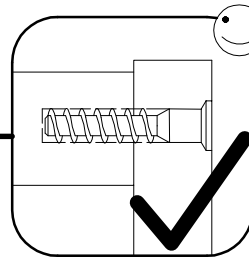
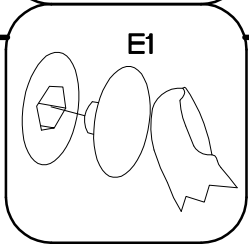
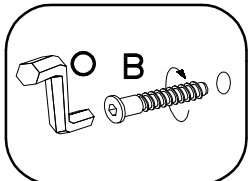
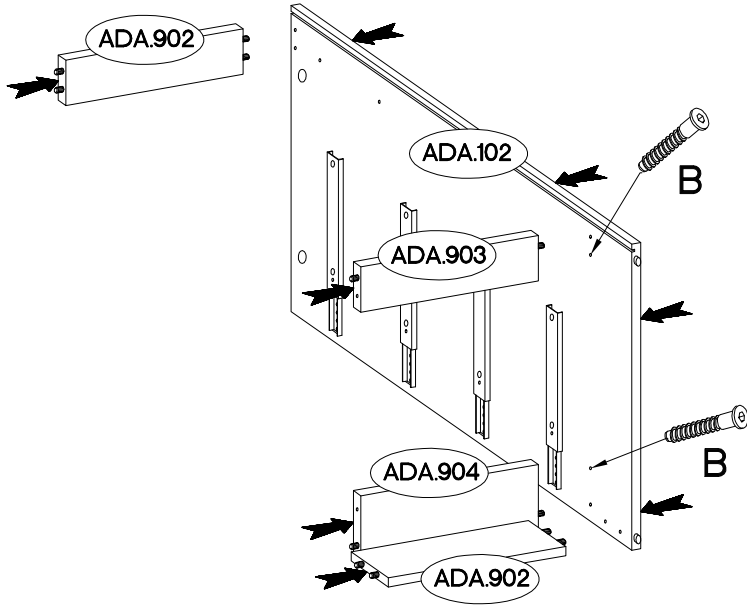
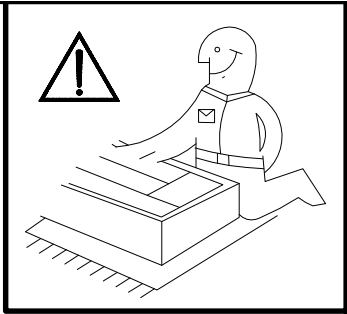
±8x30mm	±15/12mm	L=20/8mm	±15x5mm	17/310mm	27/310mm	±5.0x13mm
						
16	6	8	4	4	1	10



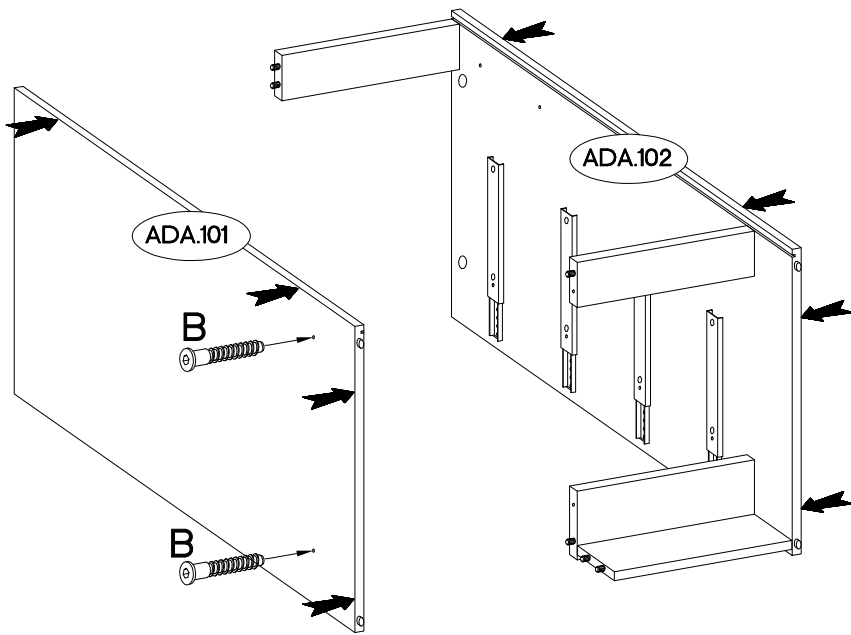
24

6,4 x 50mm




		
B	E1	O
2	2	1



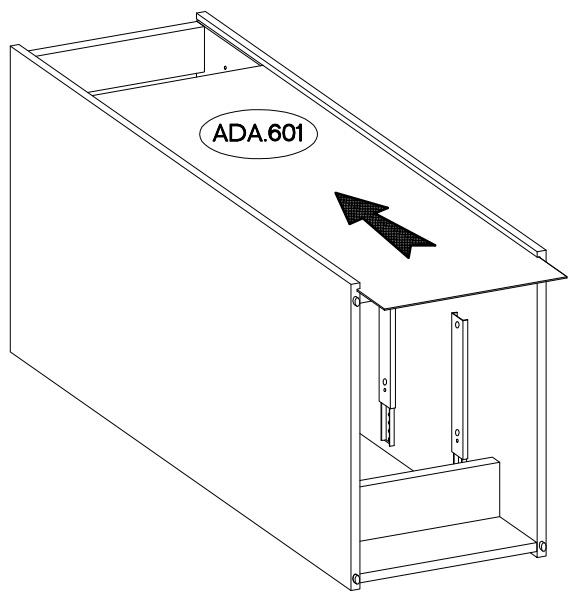
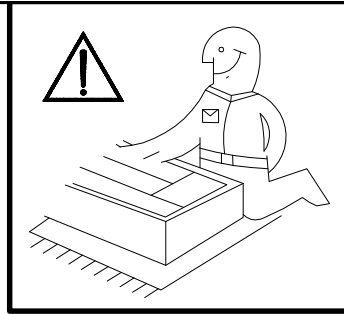
25



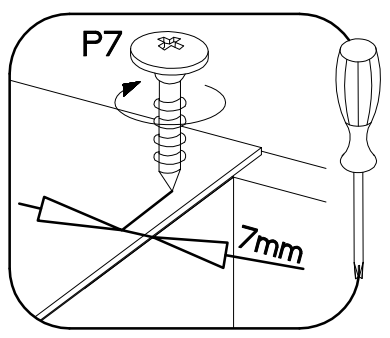
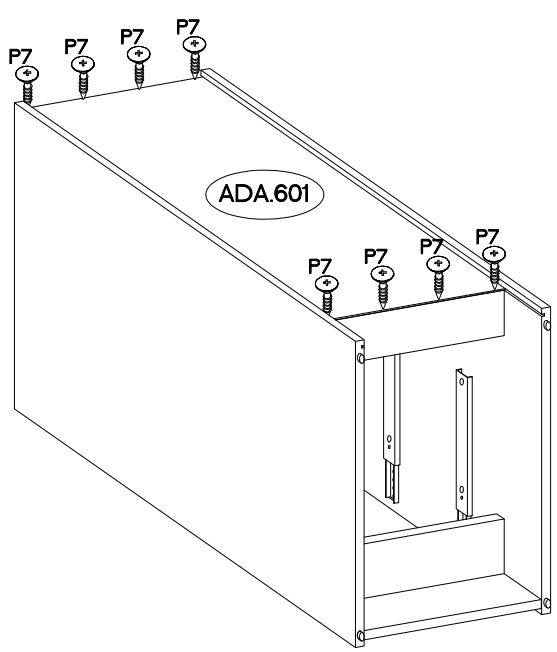
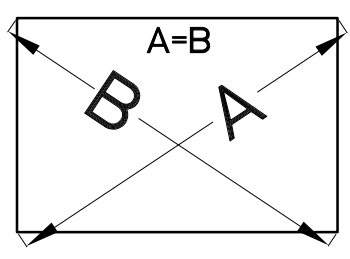
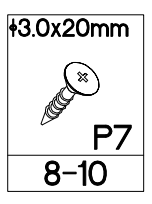
6,4 x 50mm

		
B	E1	O
2	2	1

26

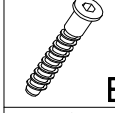


27



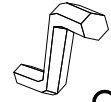
28

6,4 x 50mm



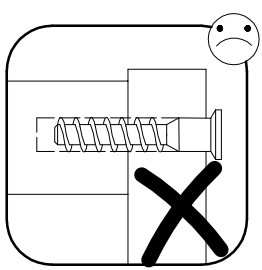
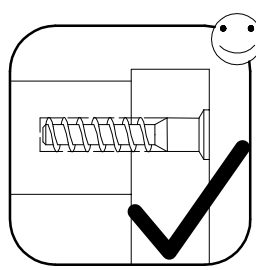
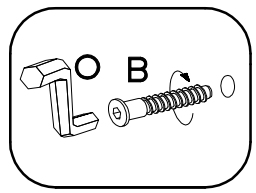
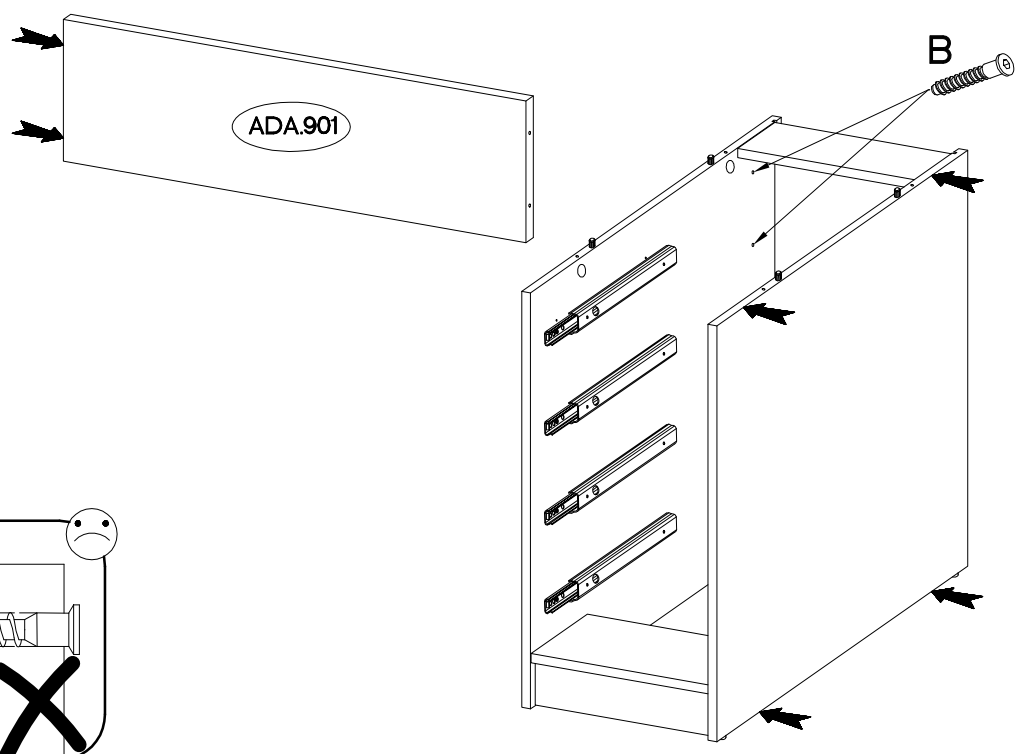
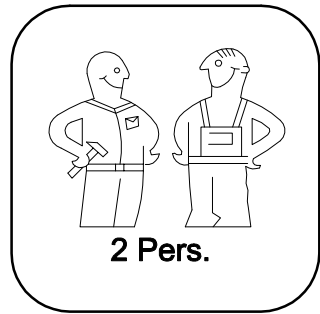
B

2

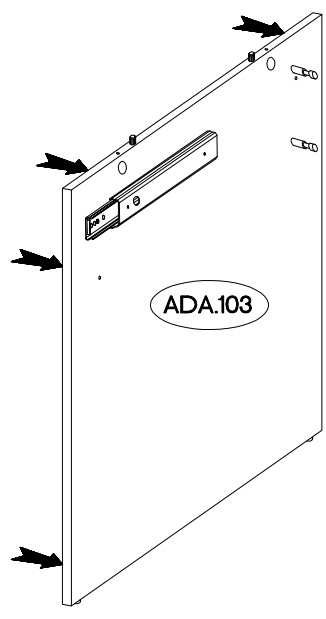
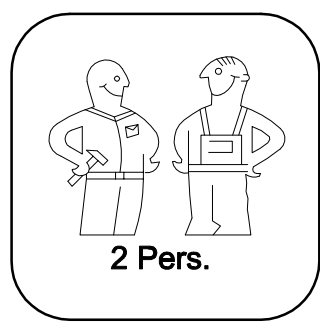
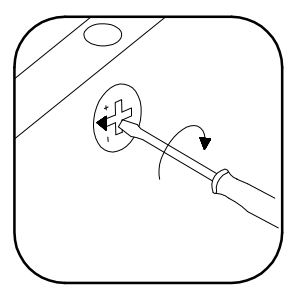
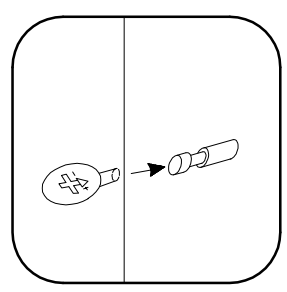


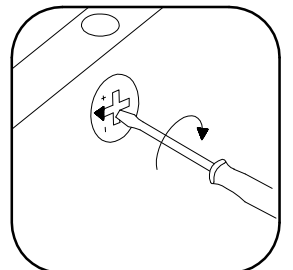
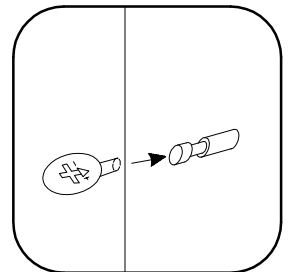
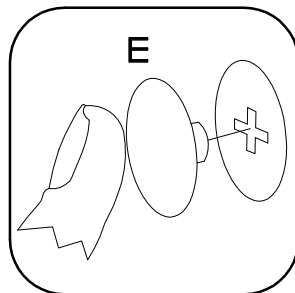
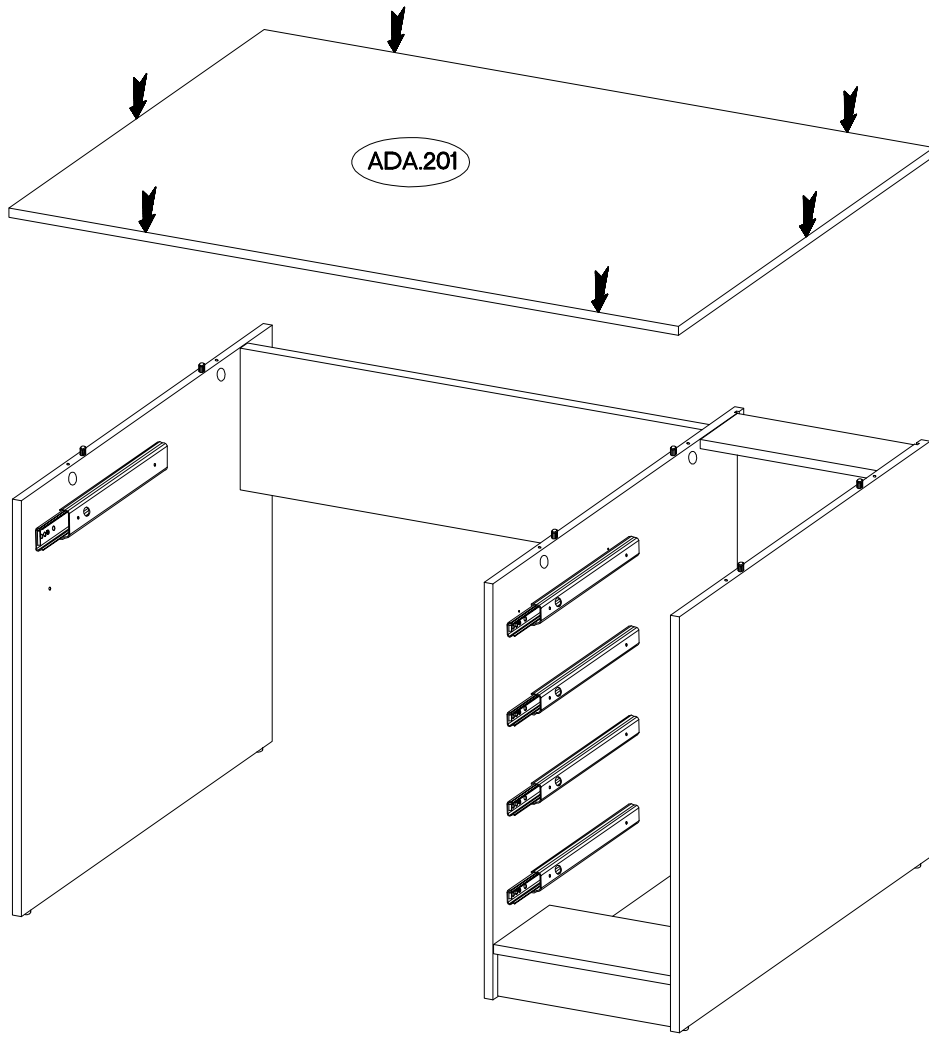
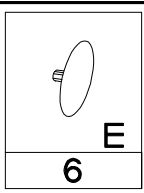
O

1



29



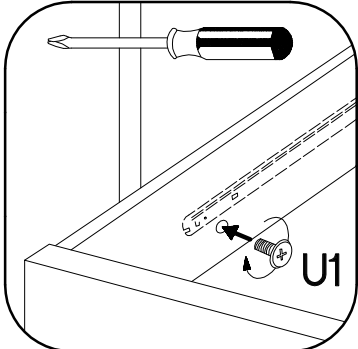
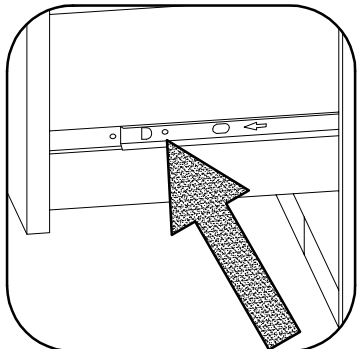
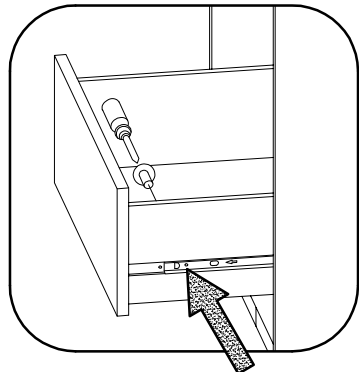
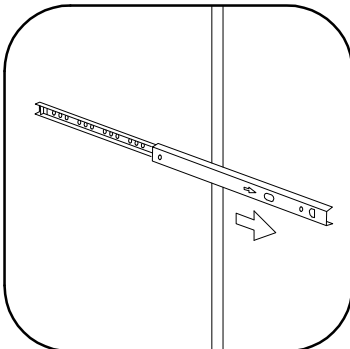
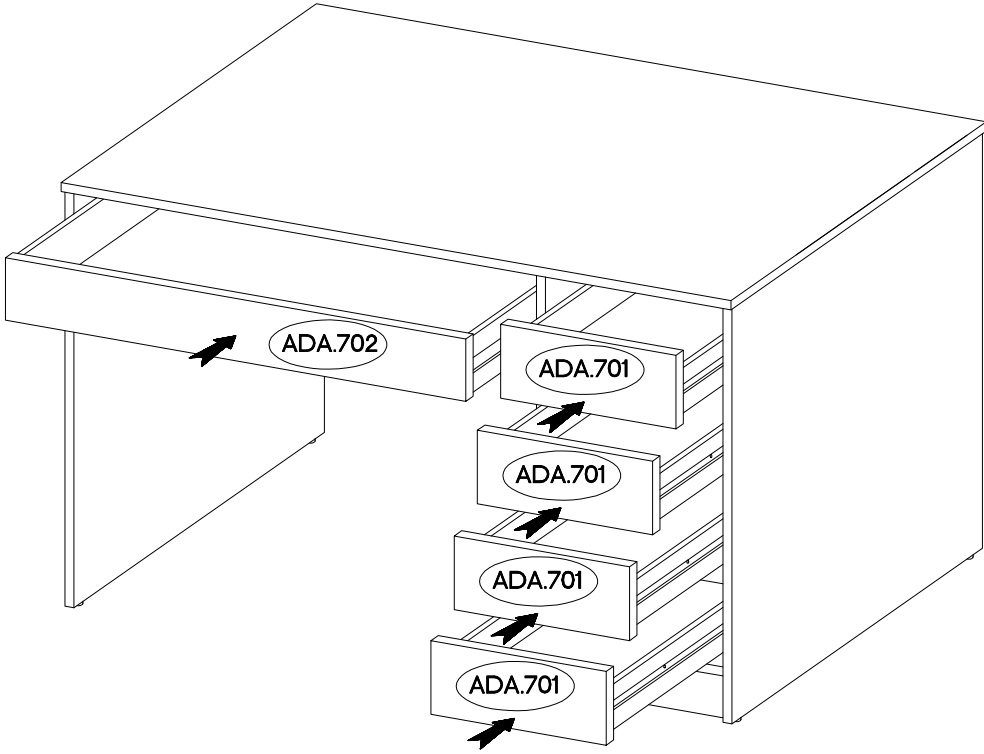


M4x9mm

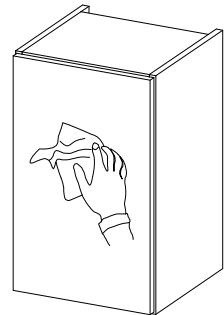
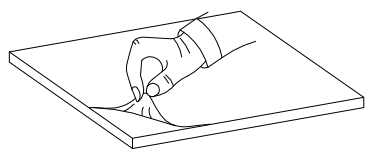
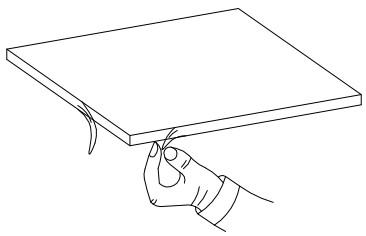


U1

10



VARIANT HIGH GLOSS



Desk and dressing table Ada
Assembling Instructions

Schreibtisch und Schminktisch Ada
Montageanleitung

Biurko i toaletka Ada
Instrukcja montażu

