

# POSSINA

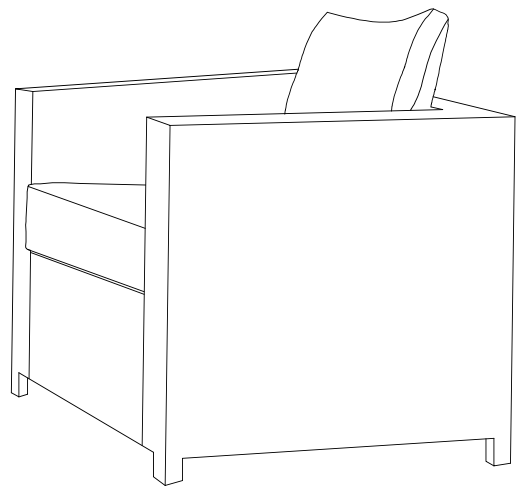
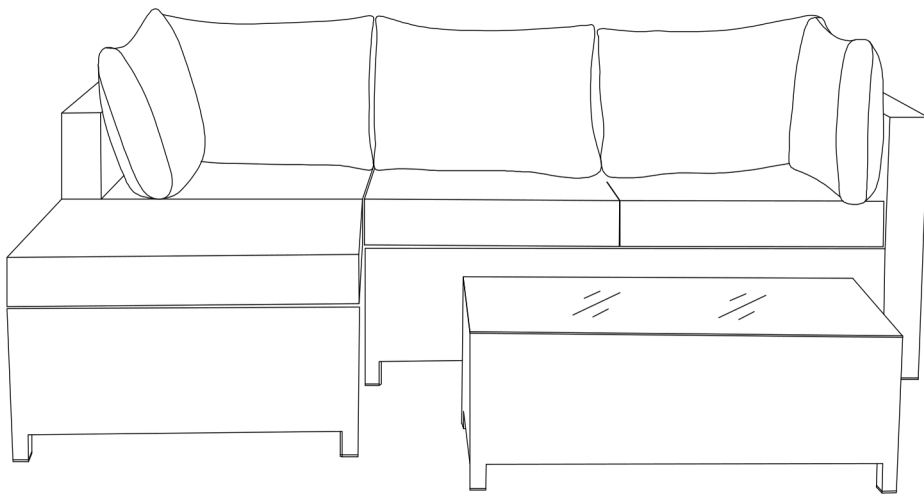
## Instruction Manual - Lounge Set Zeta

### CAUTION

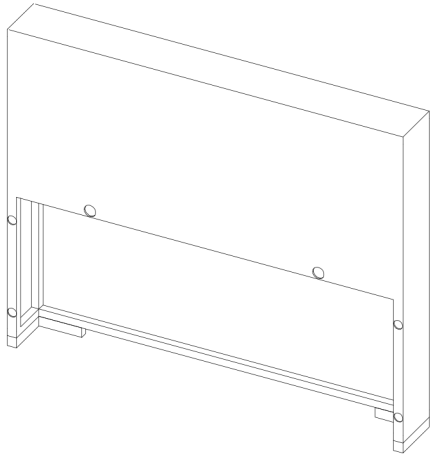
A. Check the package and that all included parts are present

B. Read the instructions carefully before starting the assembly process

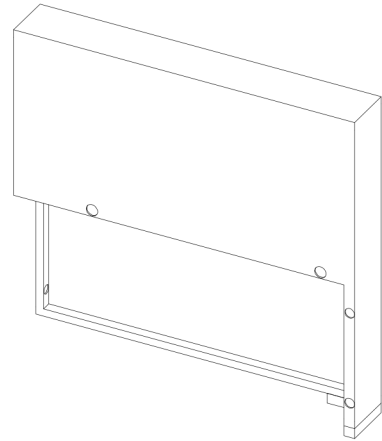
NOTE: Do NOT tighten the screws completely until the assembly is completed



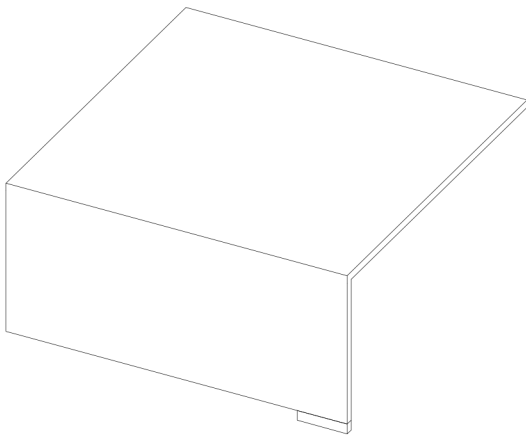
# Instruction Manual - Corner



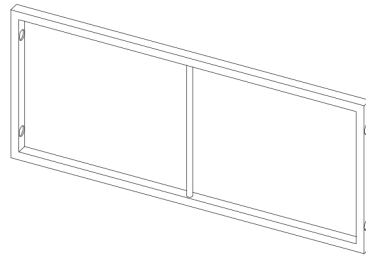
A 1PC



D 1PC



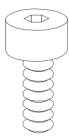
E 1PC



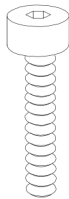
F 1PC



a  $\Phi$  6  
22pcs+1pc



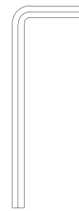
d M6\*35mm  
2pcs+1pc



b M6\*50mm  
10pcs+1pc



c M6  
10pcs+1pc



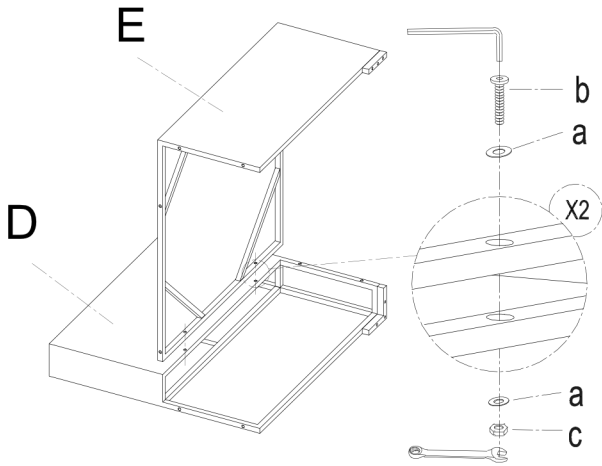
Allen Key  
1pc



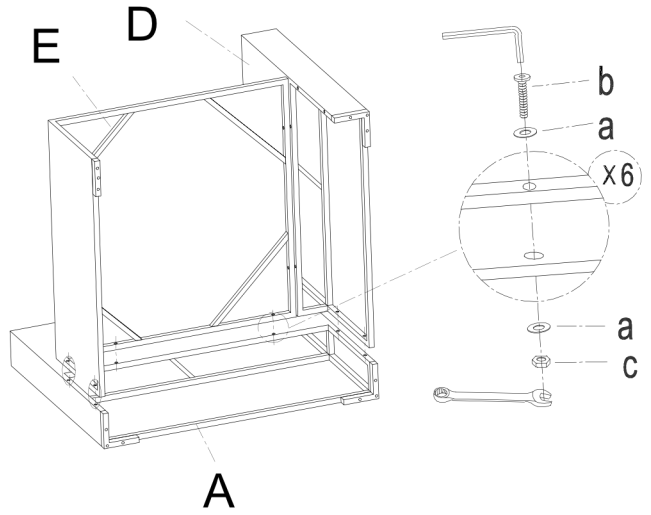
Spanner  
1pc

# Instruction Manual - Corner

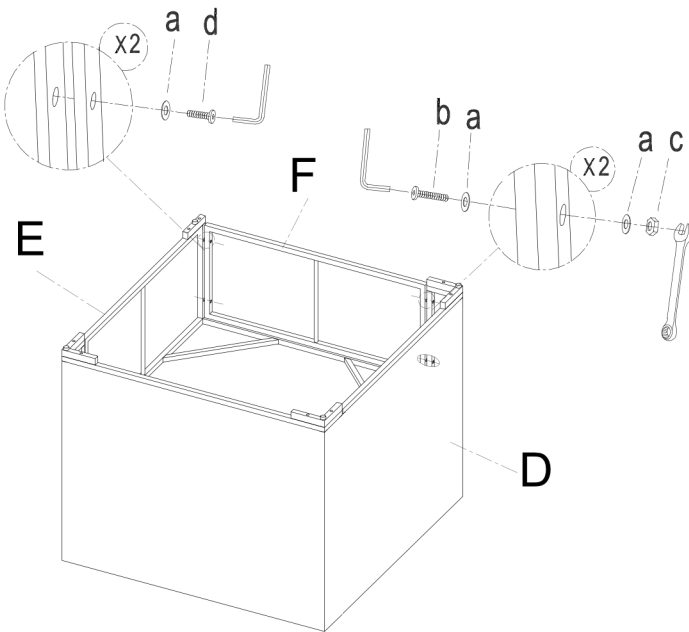
STEP: 1



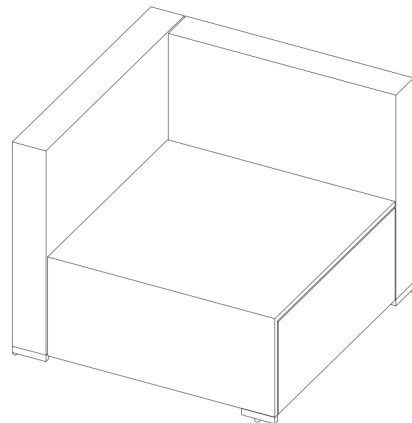
STEP: 2



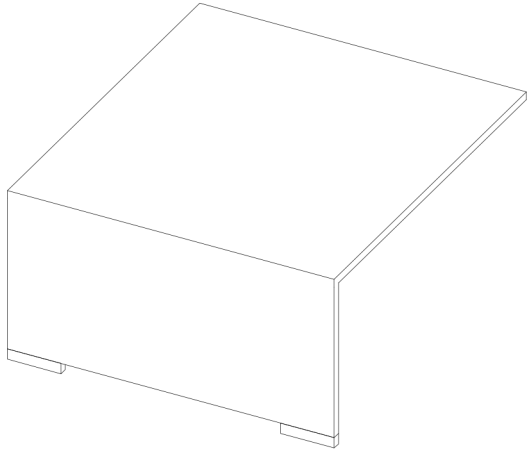
STEP: 3



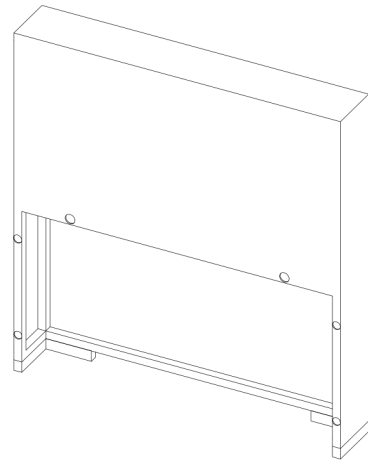
STEP: 4



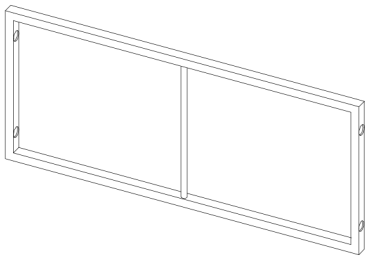
# Instruction Manual - Middle



**G 1PC**



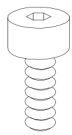
**H 1PC**



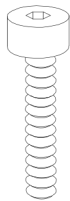
**F 2PCS**



**a  $\Phi 6$**   
16pcs+1pc



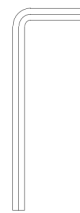
**d M6\*35mm**  
4pcs+1pc



**b M6\*50mm**  
6pcs+1pc



**c M6**  
6pcs+1pc



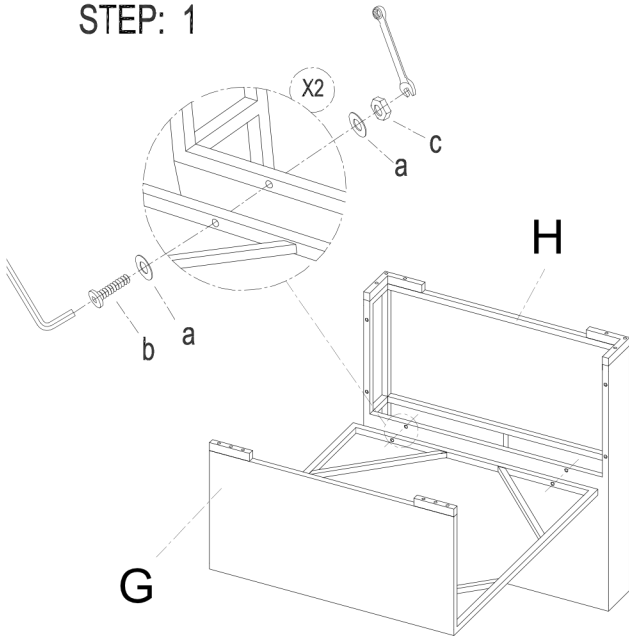
**Allen Key**  
1pc



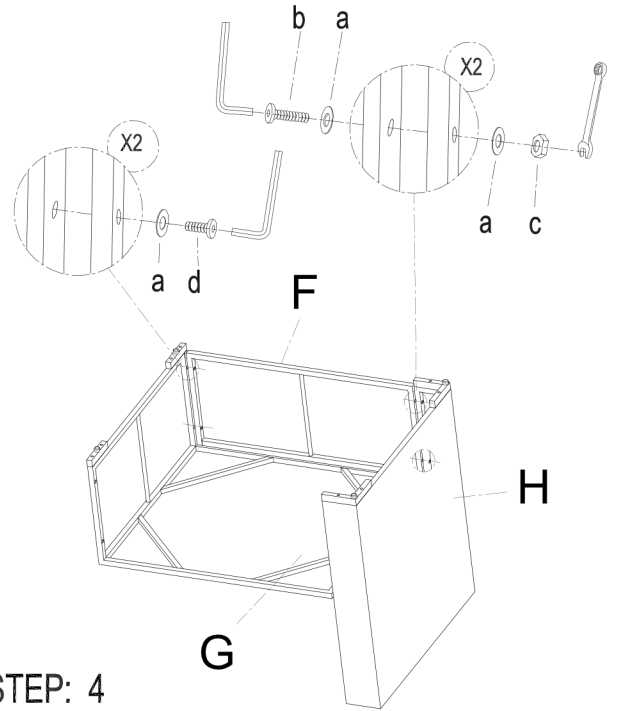
**Spanner**  
1pc

# Instruction Manual - Middle

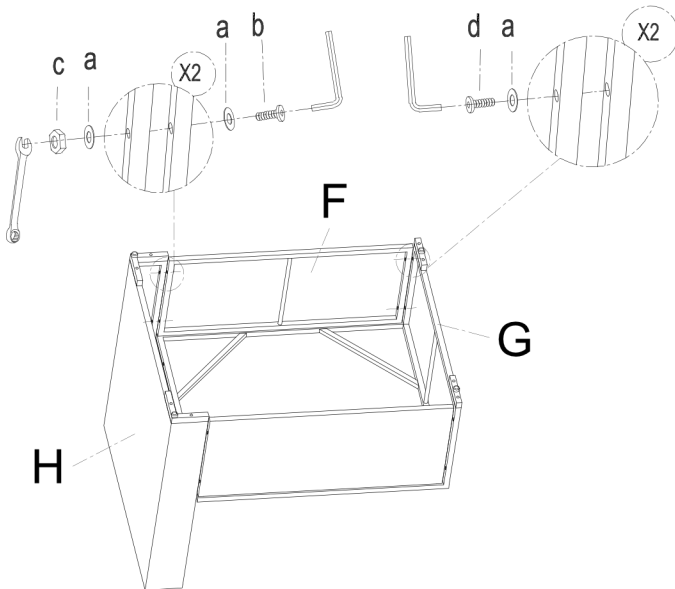
STEP: 1



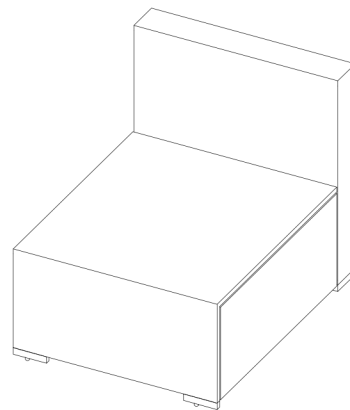
STEP: 2



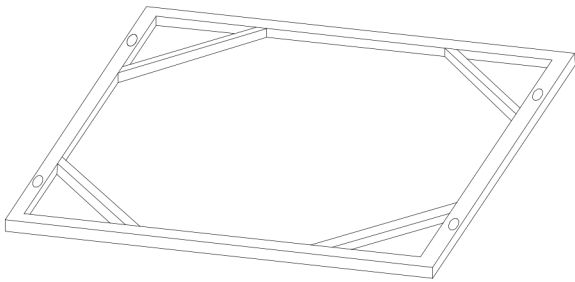
STEP: 3



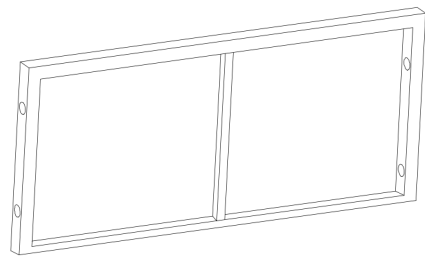
STEP: 4



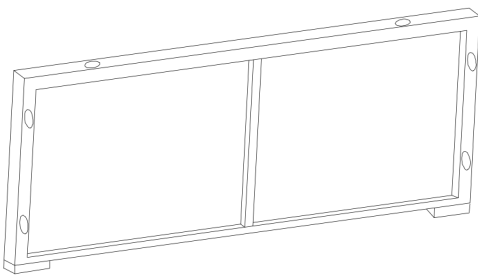
# Instruction Manual - Footstool



J 1PC



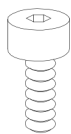
K 2PCS



L 2PCS



a  $\Phi 6$   
12pcs+1pc



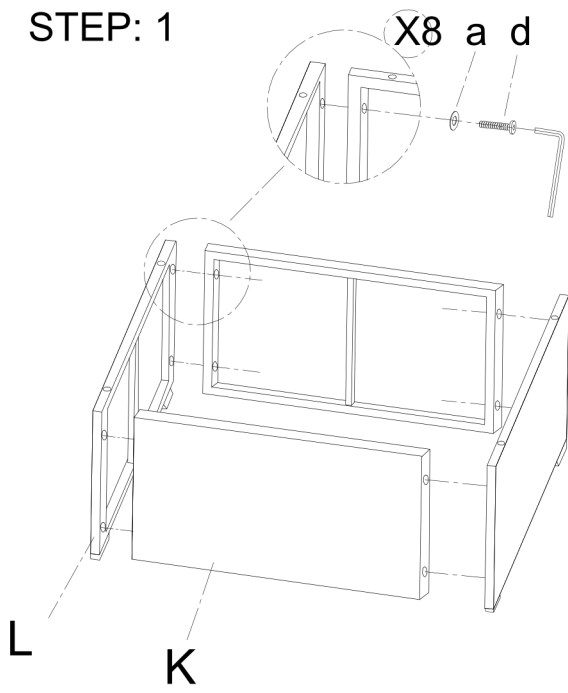
d M6\*35mm  
12pcs+1pc



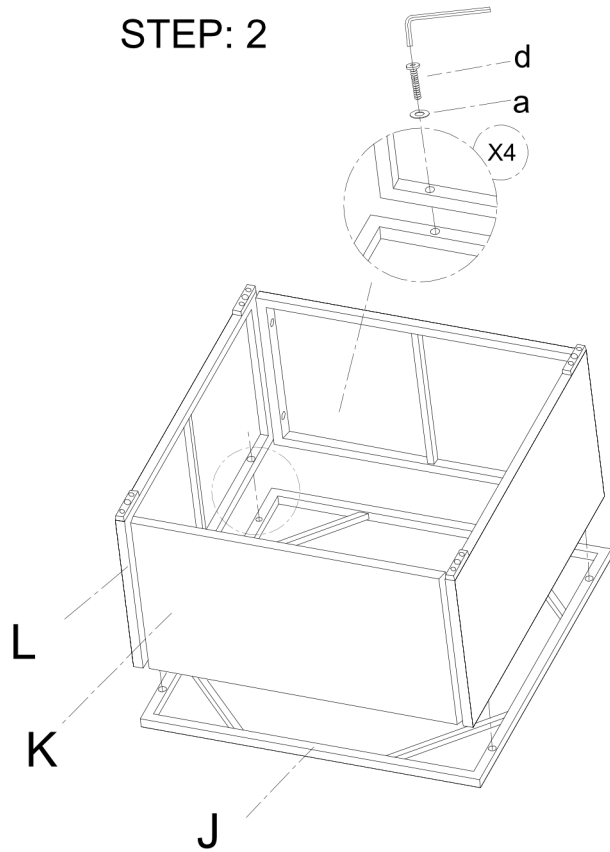
Allen Key  
1pc

# Instruction Manual - Footstool

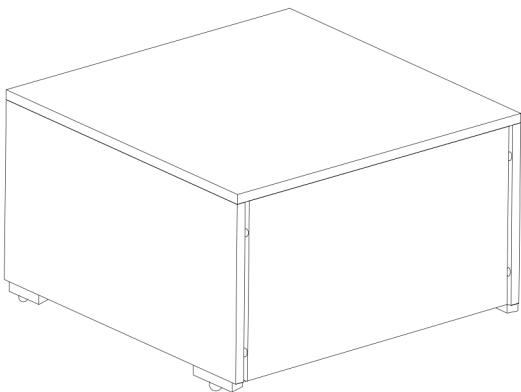
STEP: 1



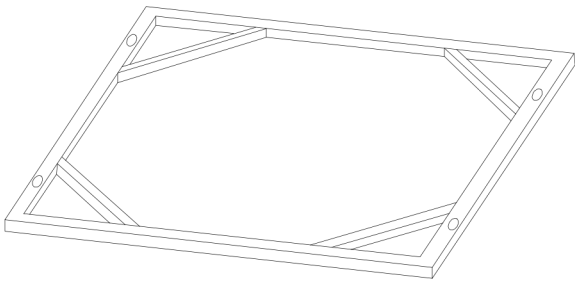
STEP: 2



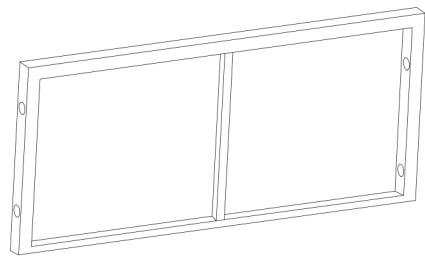
STEP: 3



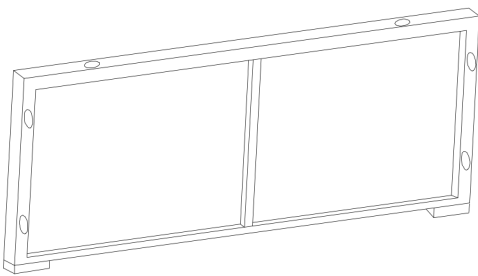
# Instruction Manual - Table



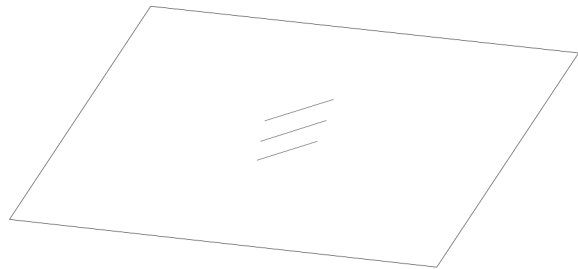
R 1PC



M 2PCS



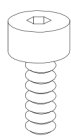
N 2PCS



O 1PC



a  $\Phi$  6  
12pcs+1pc



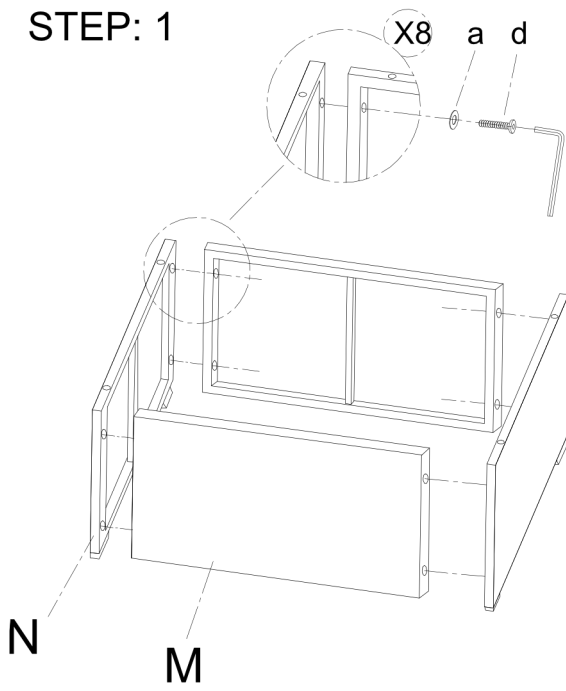
d M6\*35mm  
12pcs+1pc



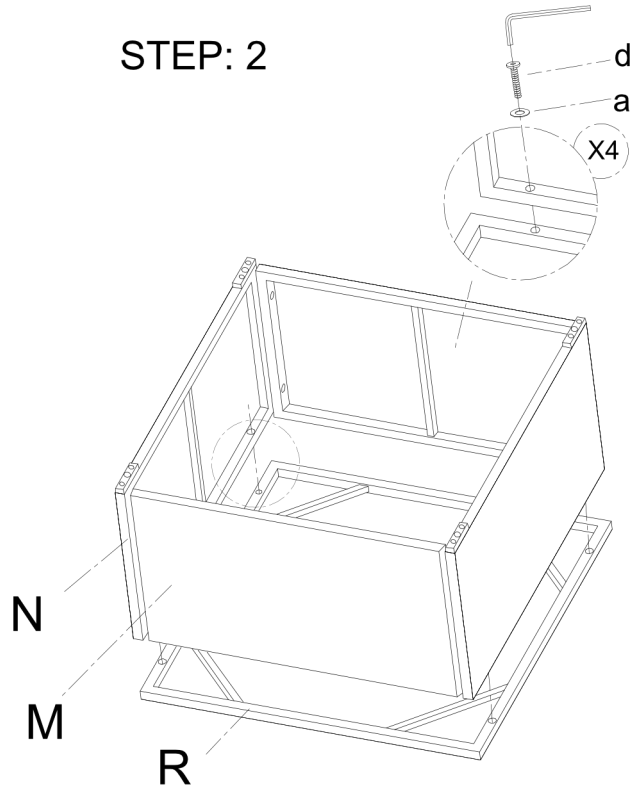
Allen Key  
1pc

# Instruction Manual - Table

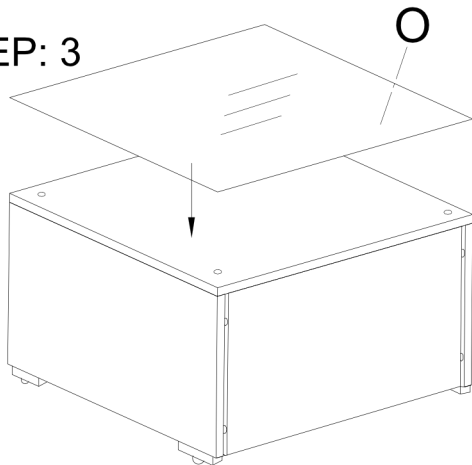
STEP: 1



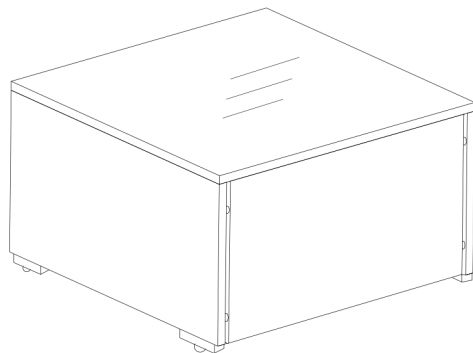
STEP: 2



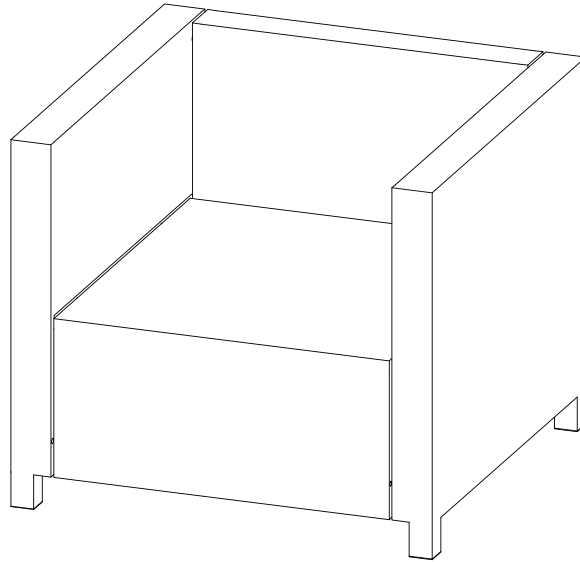
STEP: 3

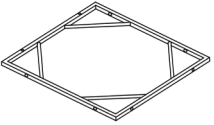
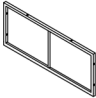
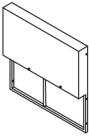
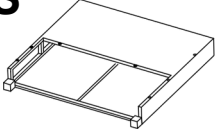
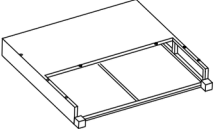
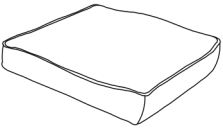
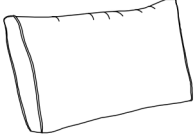
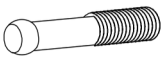
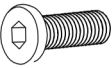

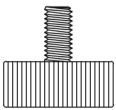


STEP: 4

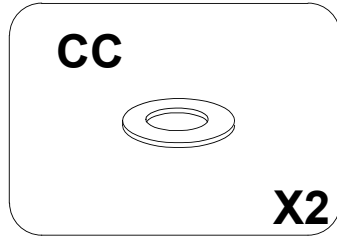
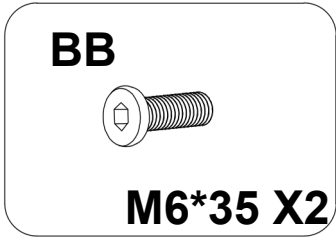
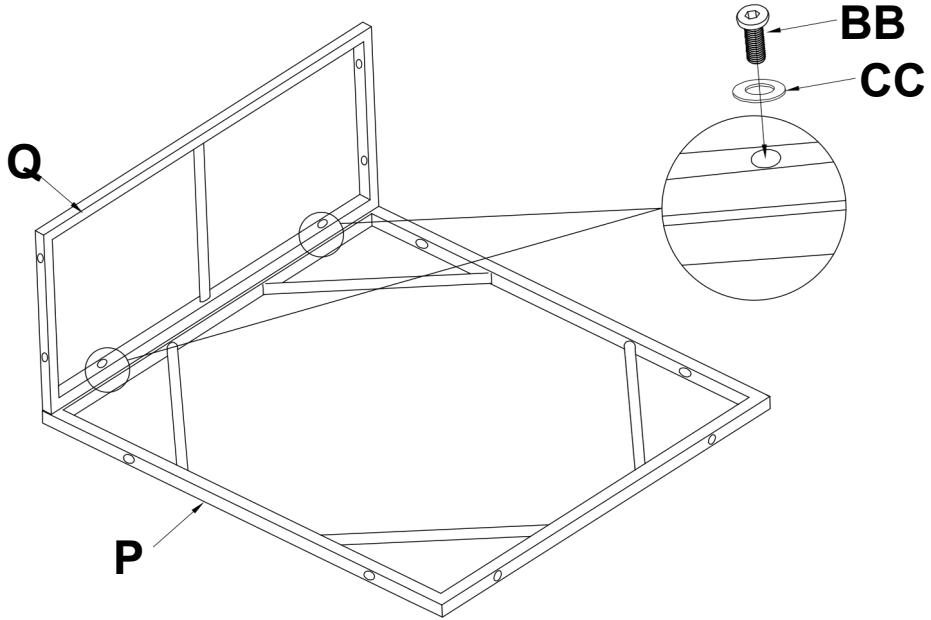


# Instruction Manual - Armchair

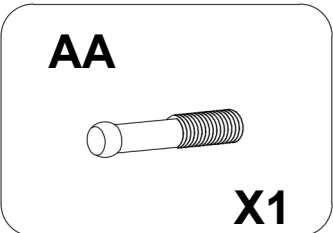
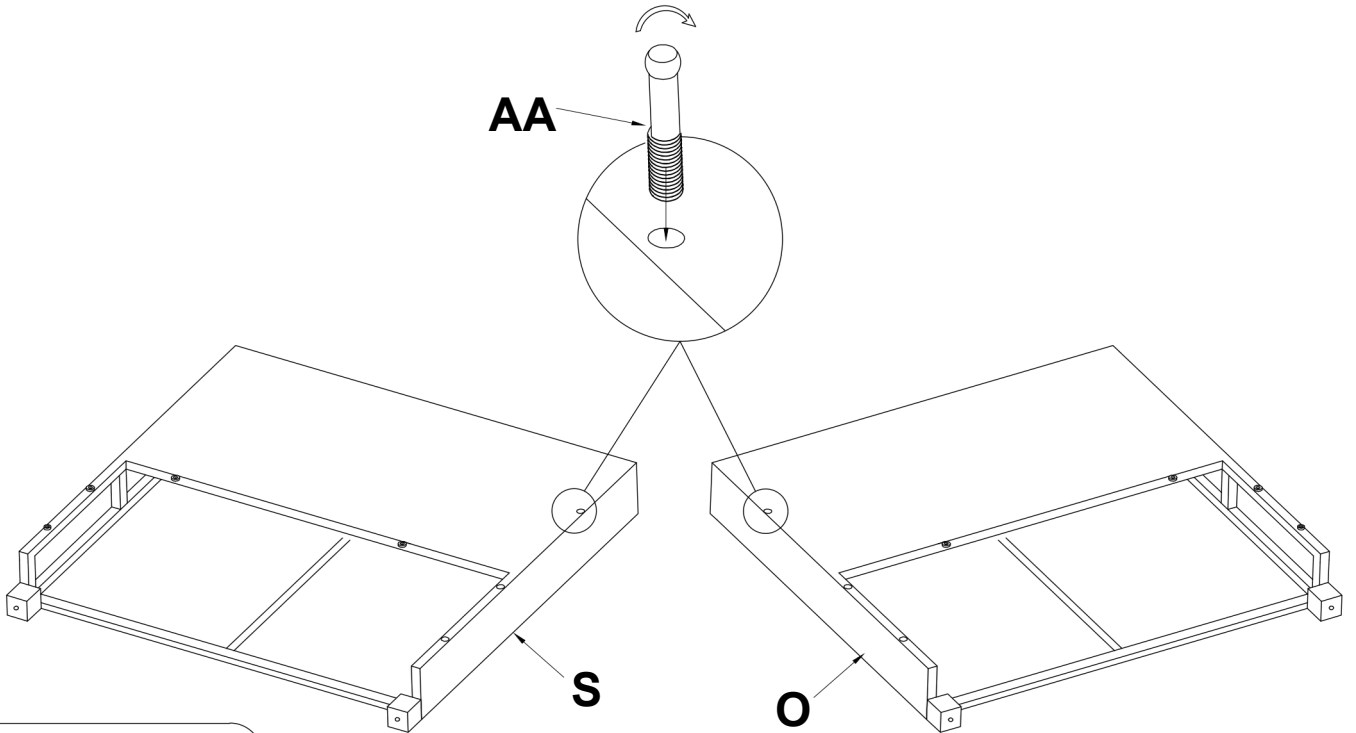


<p><b>P</b></p>  <p><b>X1</b></p>	<p><b>Q</b></p>  <p><b>X1</b></p>	<p><b>R</b></p>  <p><b>X1</b></p>	<p><b>S</b></p>  <p><b>X1</b></p>	<p><b>O</b></p>  <p><b>X1</b></p>
<p><b>H</b></p>  <p><b>X1</b></p>	<p><b>I</b></p>  <p><b>X1</b></p>			
<p><b>AA</b></p>  <p><b>X2</b></p>	<p><b>BB</b></p>  <p><b>M6*35 X16</b></p>	<p><b>CC</b></p>  <p><b>X16</b></p>	<p><b>EE</b></p>  <p><b>X4</b></p>	

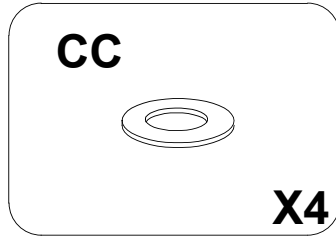
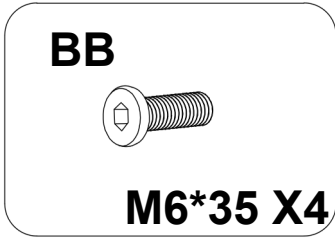
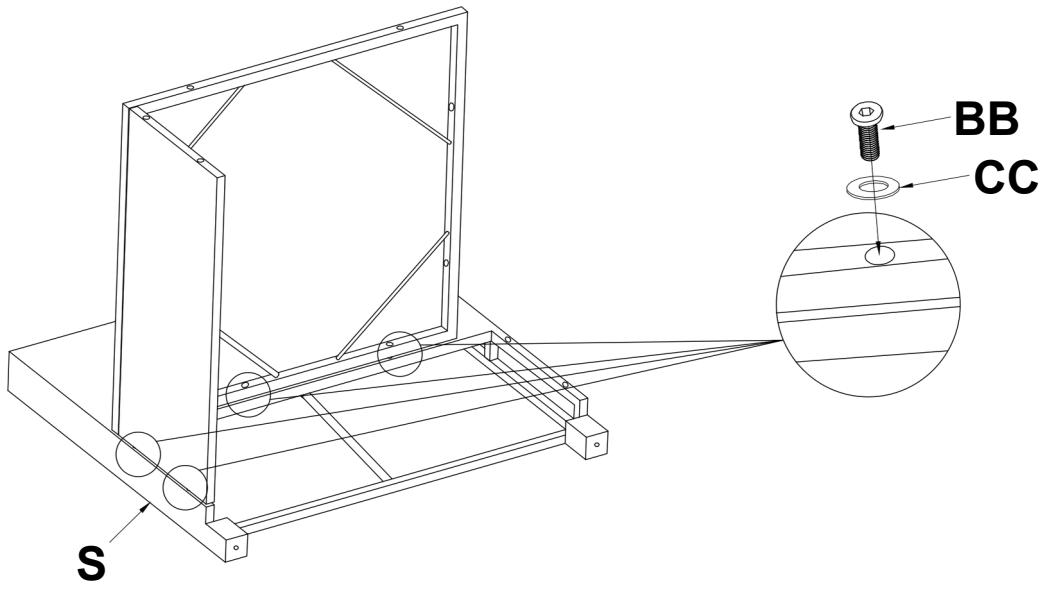
**1**



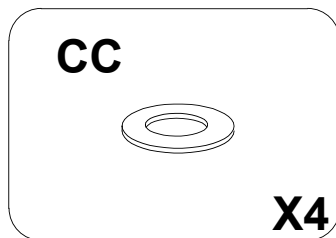
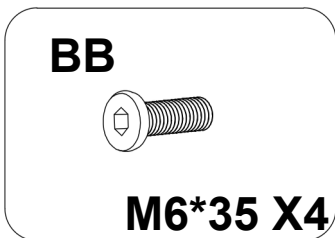
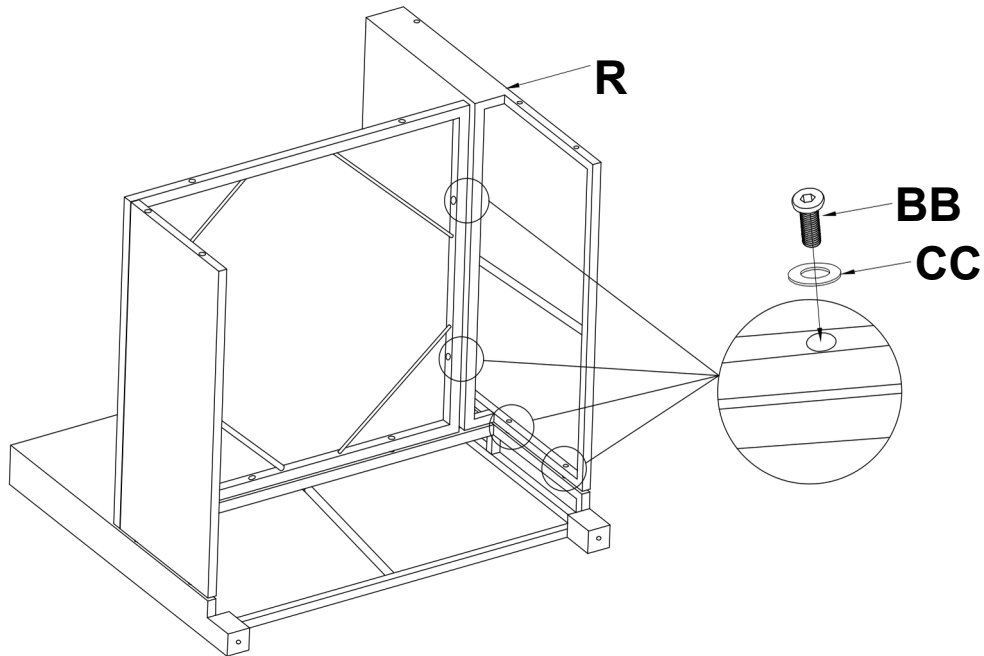
**2**



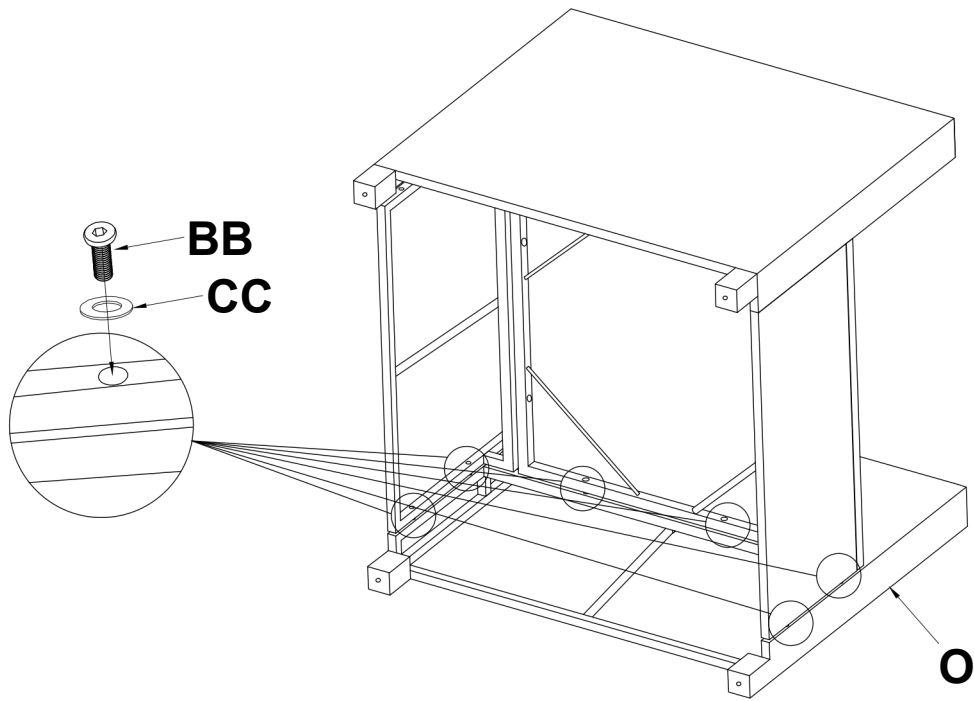
**3**



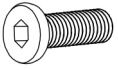
**4**



**5**

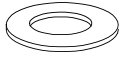


**BB**



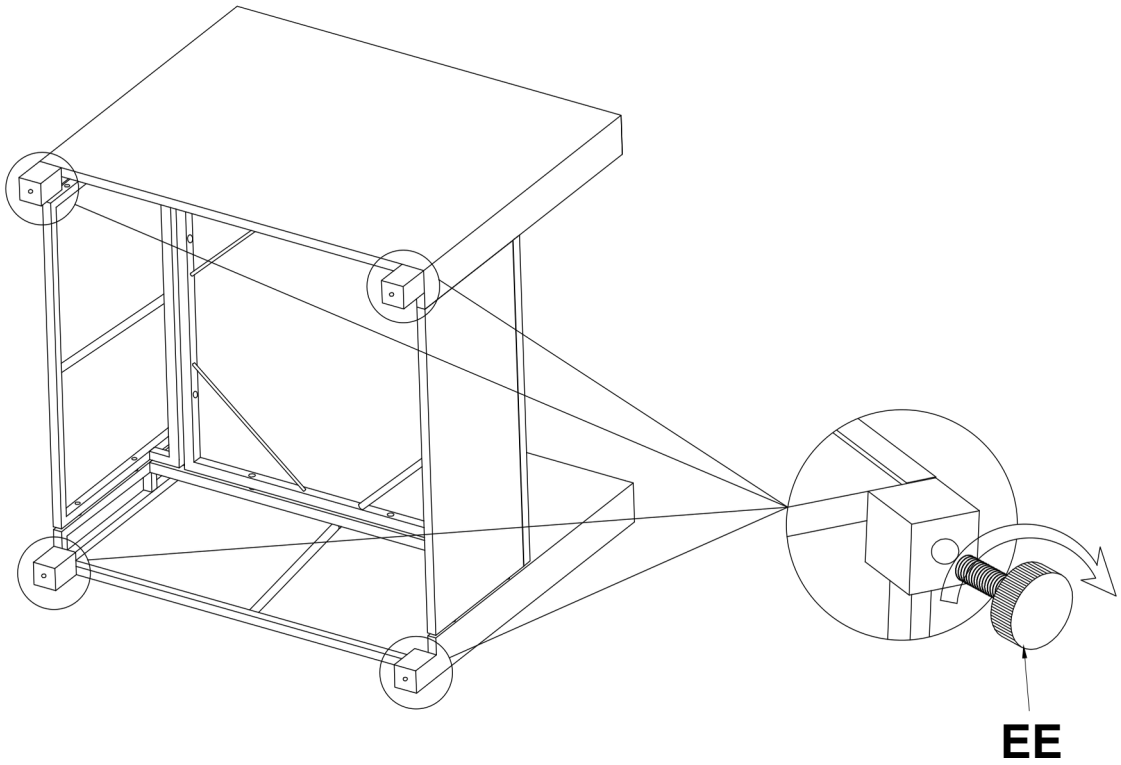
**M6\*35 X6**

**CC**

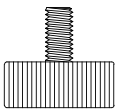


**X6**

**6**



**EE**



**X4**