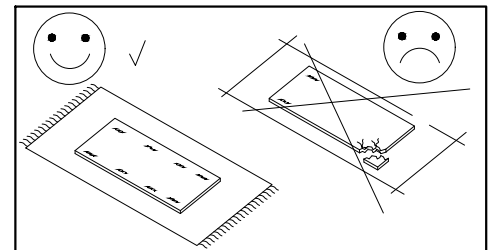
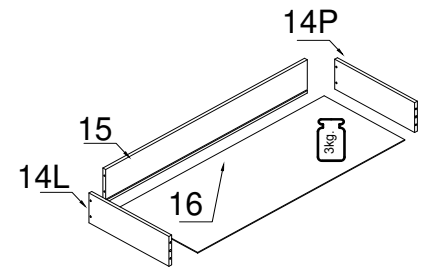
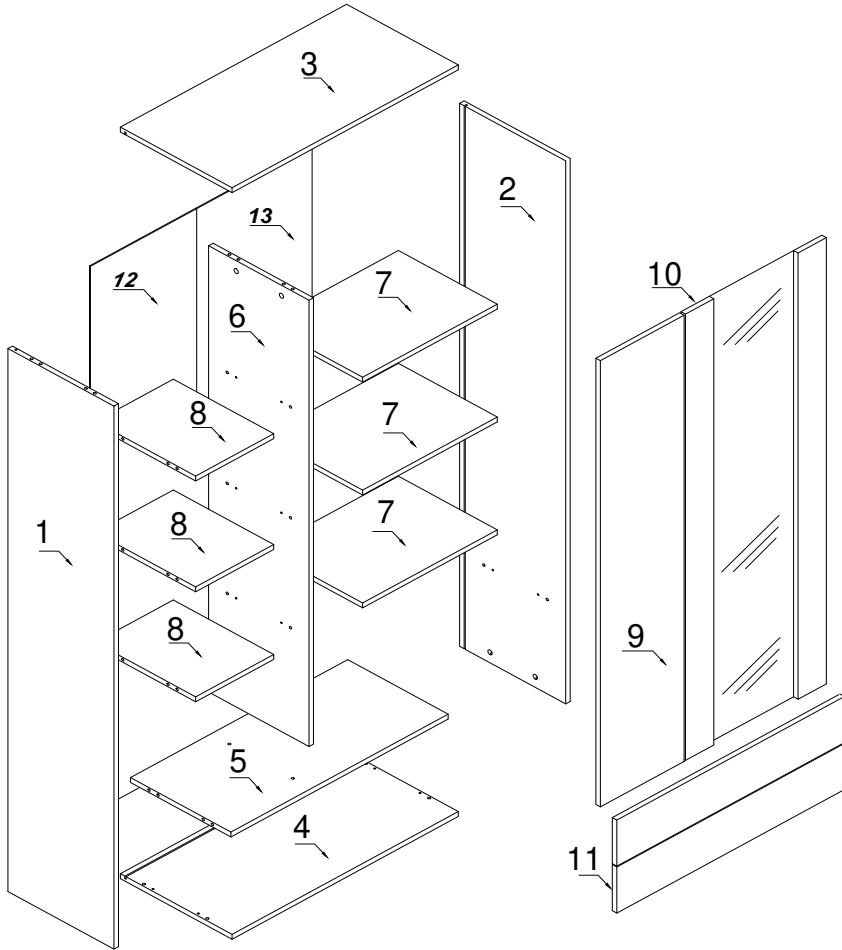
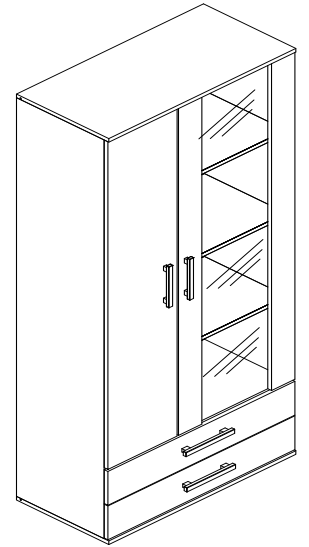
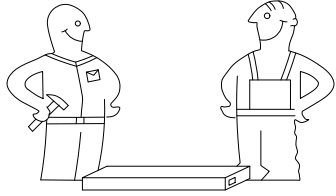
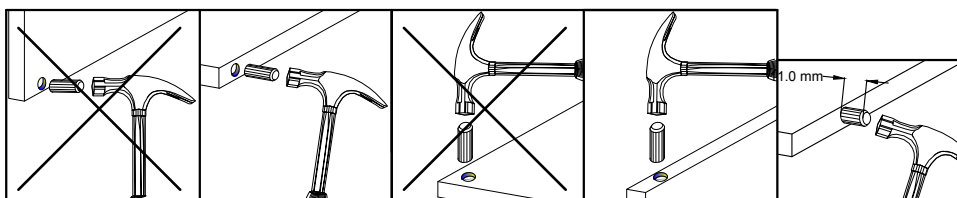


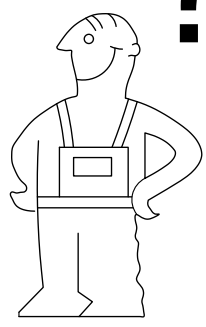
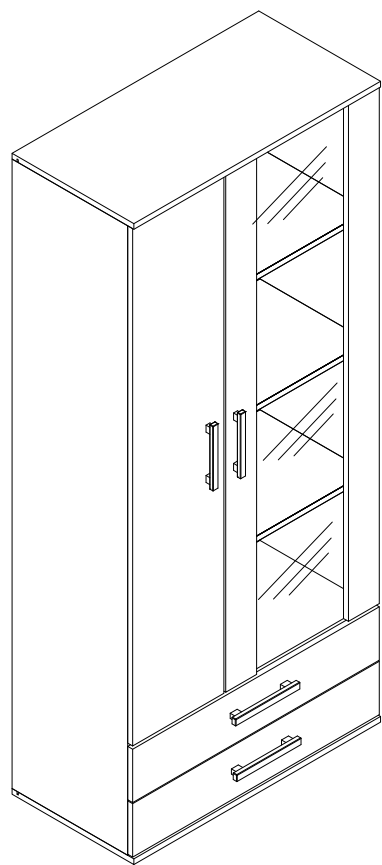
# SOHO S6



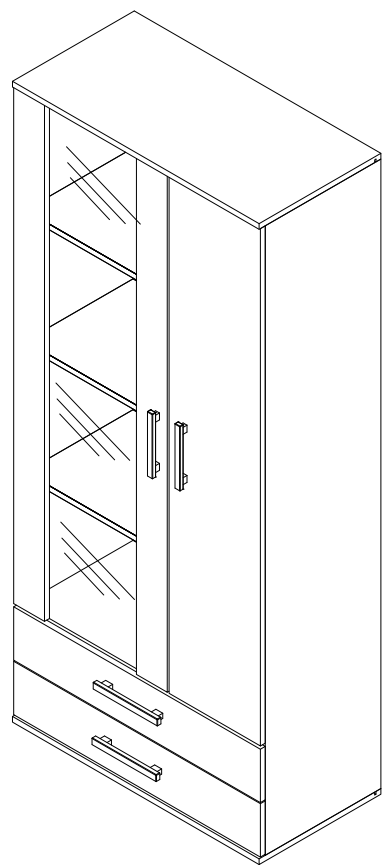
8.0x30  D 28	4.0x27  G 8	 A 28	 B 28	 X 28	 S 12	 M 4	4.0x20  H2 4	5.0x13  F 16	 KL 2
 I 12	 Z 8	 L 8	 GW 20	4.0x16  H 23	 F 4	 G1 7	 Y 1	 KP 4	 RK 4
 X3 7	 X4 4	 L10 4							



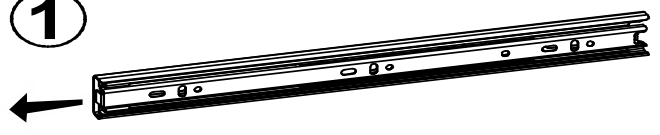
# WARIANT A



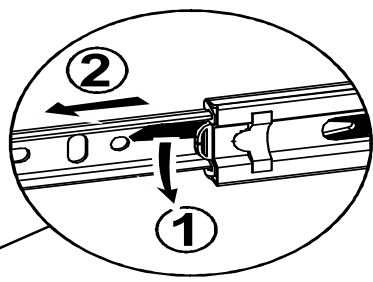
# WARIANT B



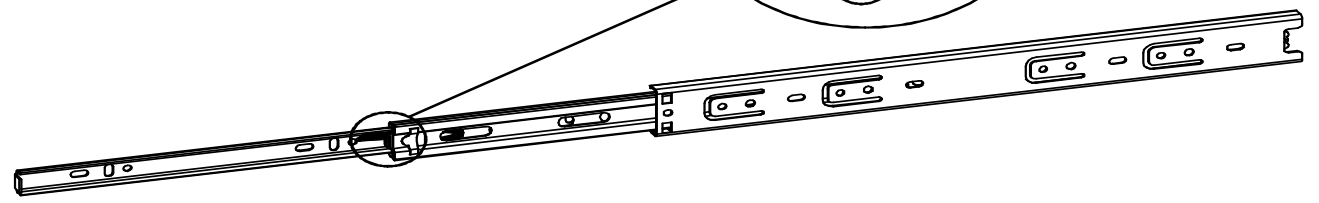
1



2

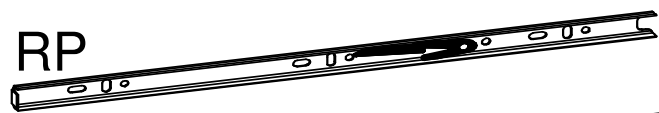


2

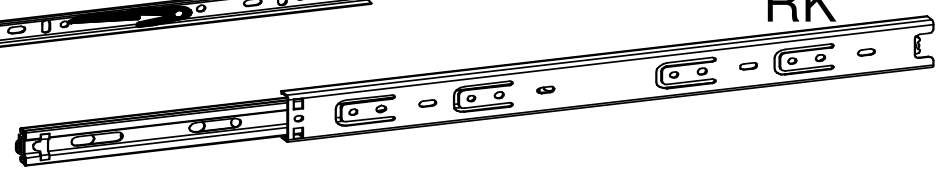


3

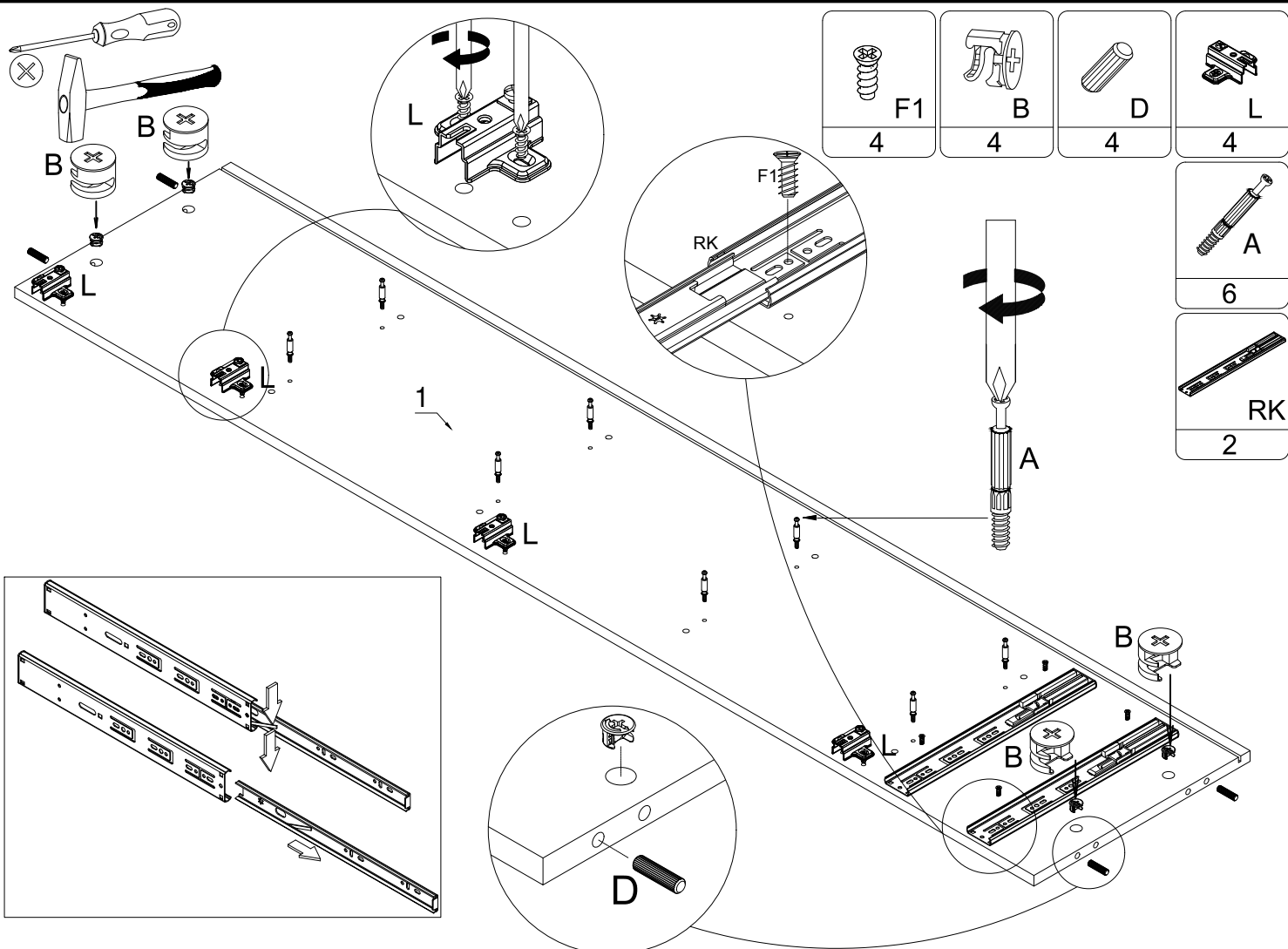
RP



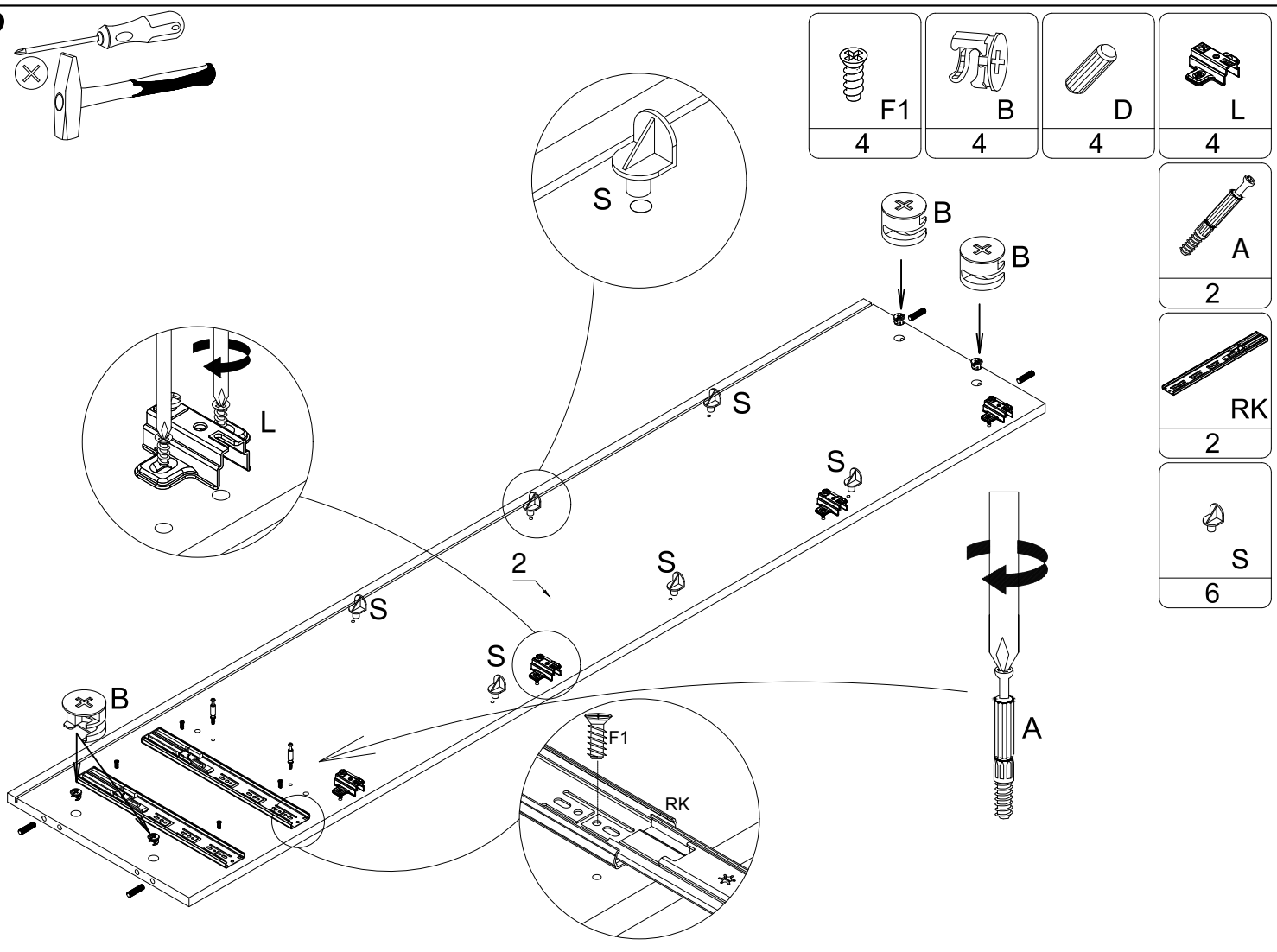
RK



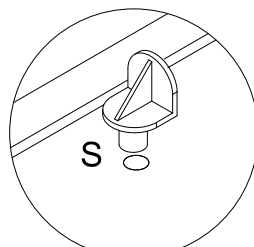
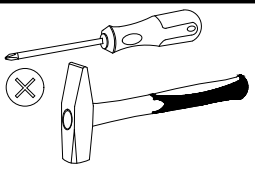
1



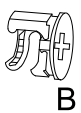
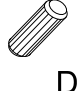


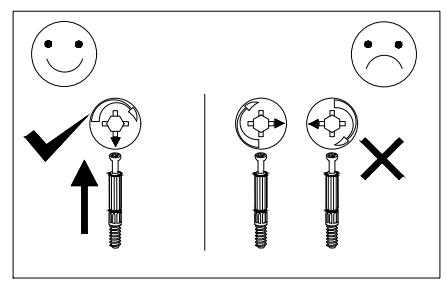
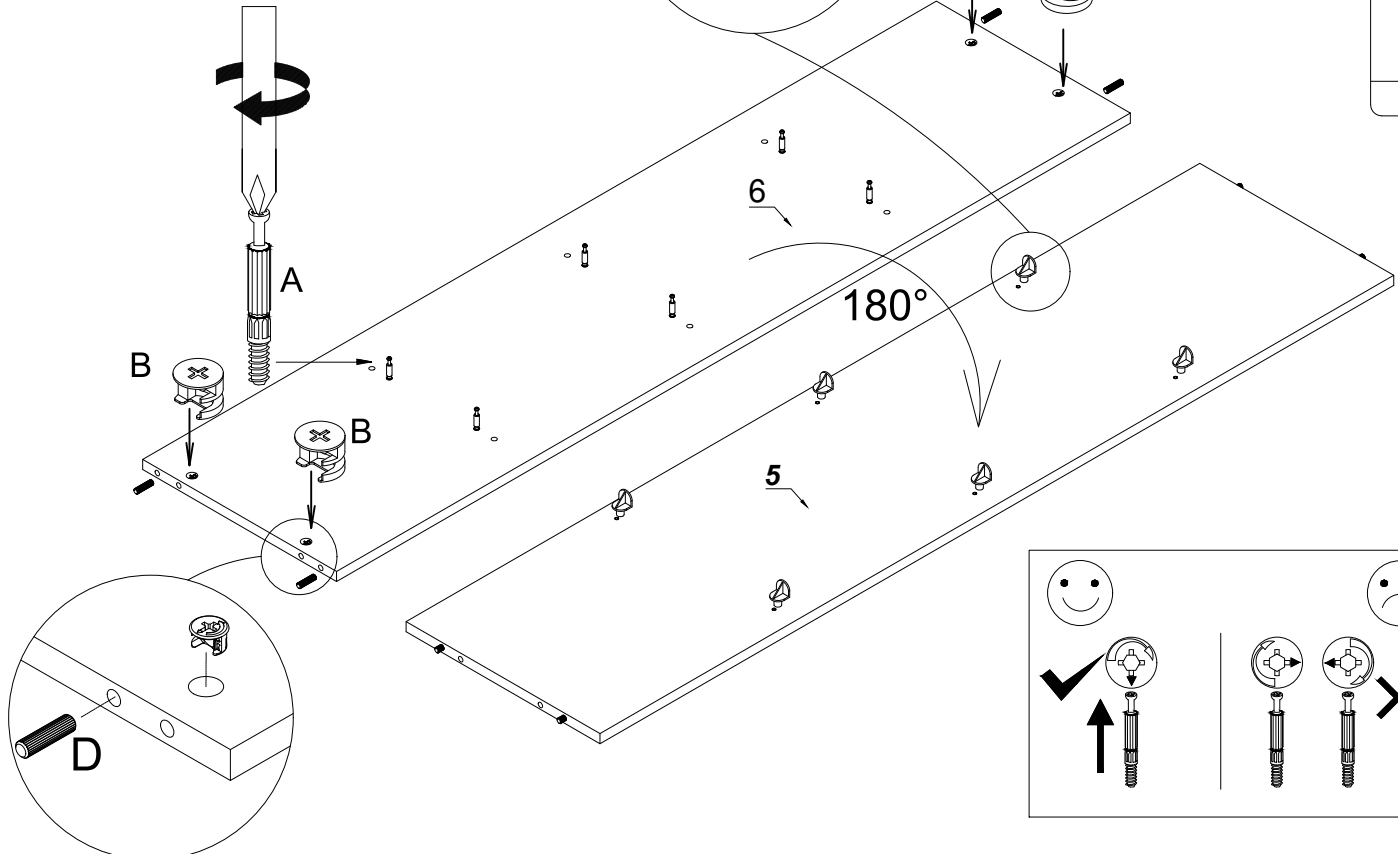
2



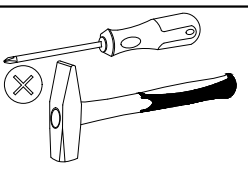
# 3







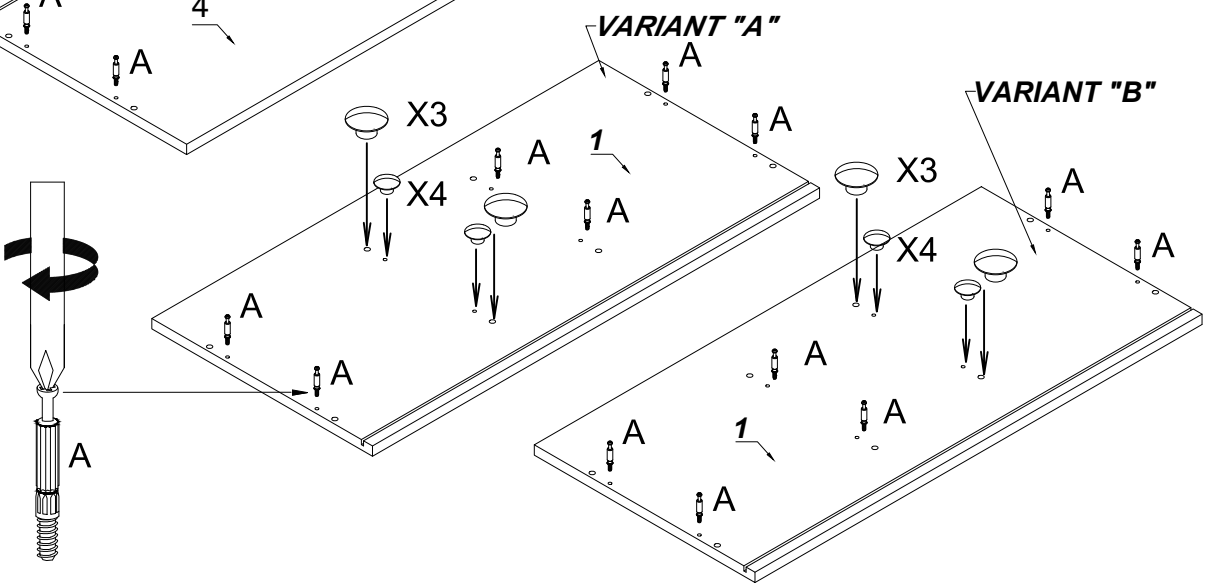
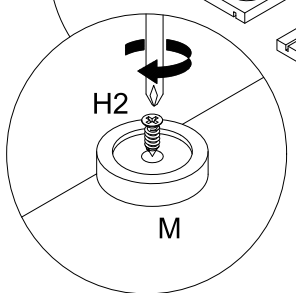
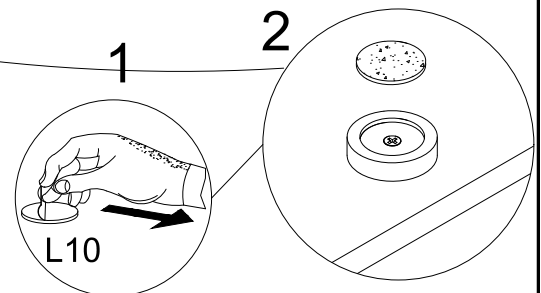
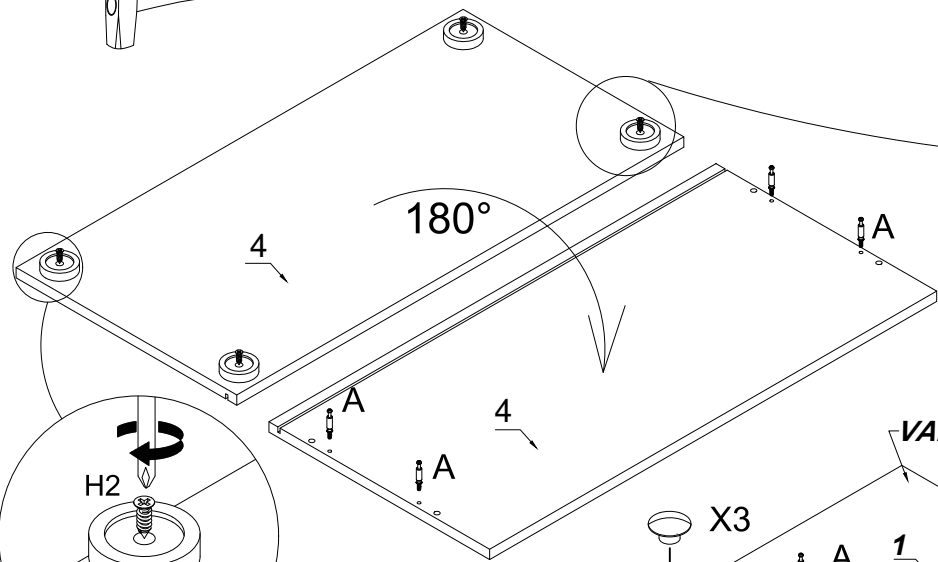
 A 6	 S 6	 B 4
 D 4		



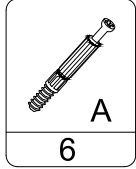
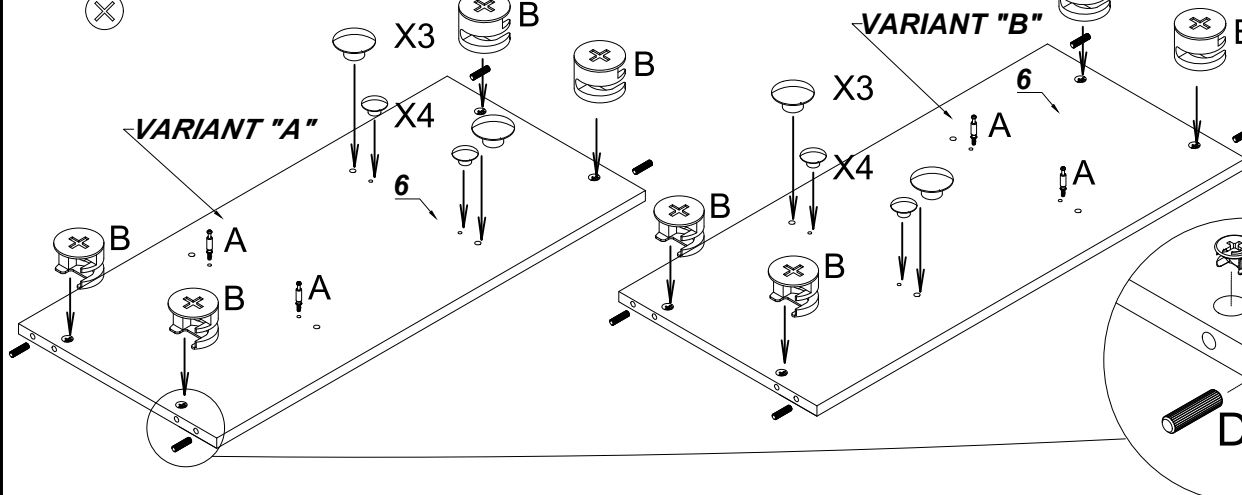
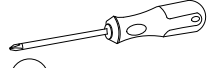
# 4



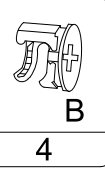
 M 4	 A 6	 H2 4	 L10 4
---	---	--	---



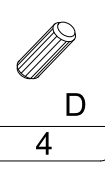
5



6

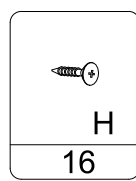
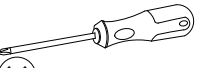


4



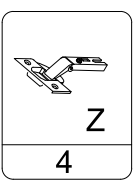
4

6



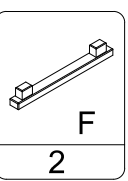
H

16



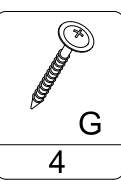
Z

4



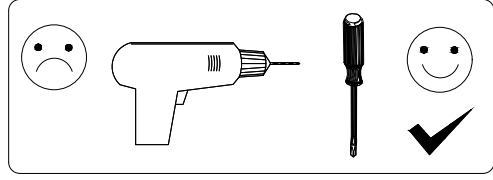
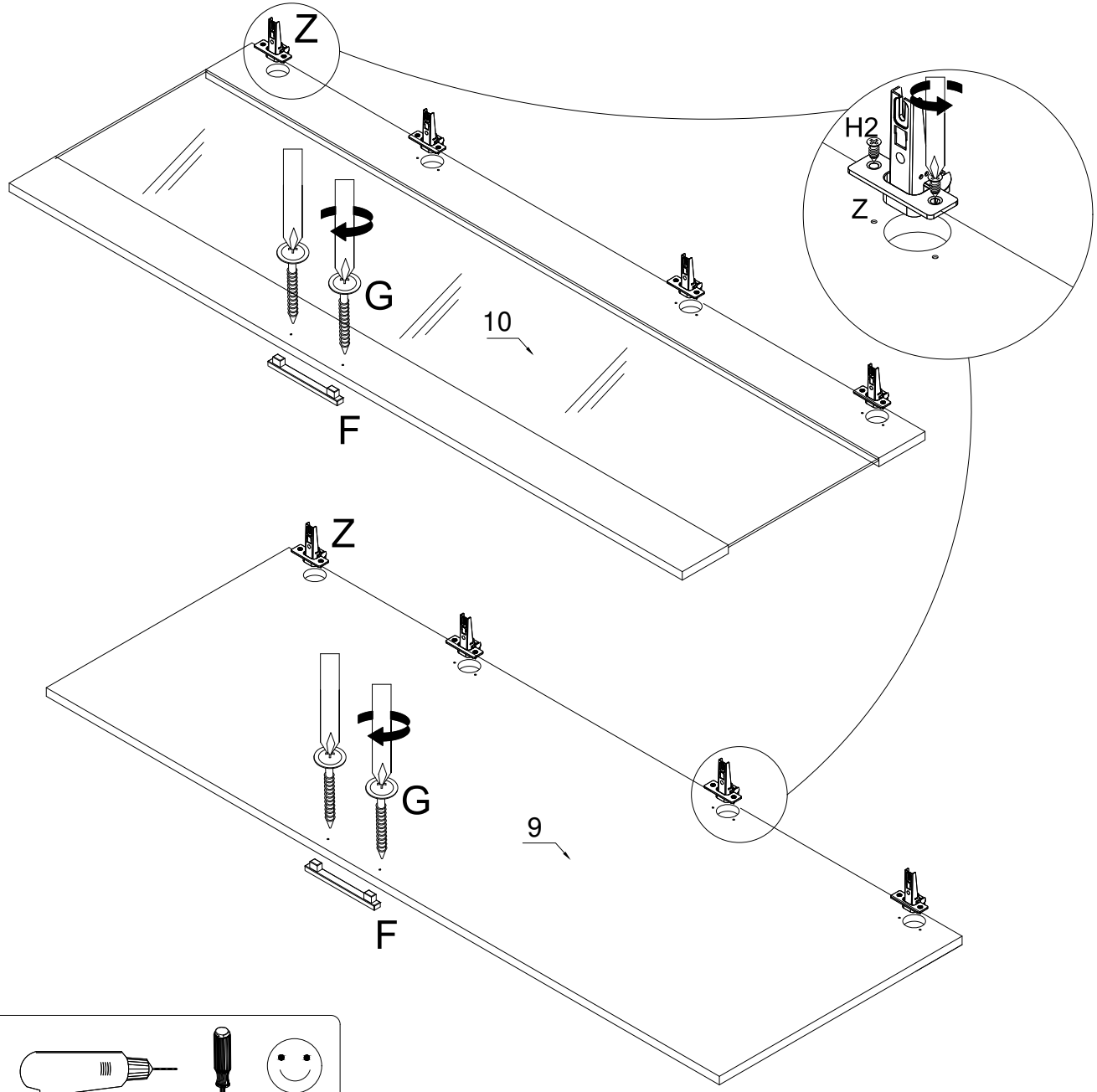
F

2



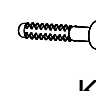
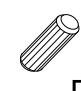
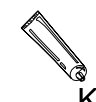

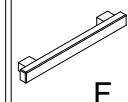



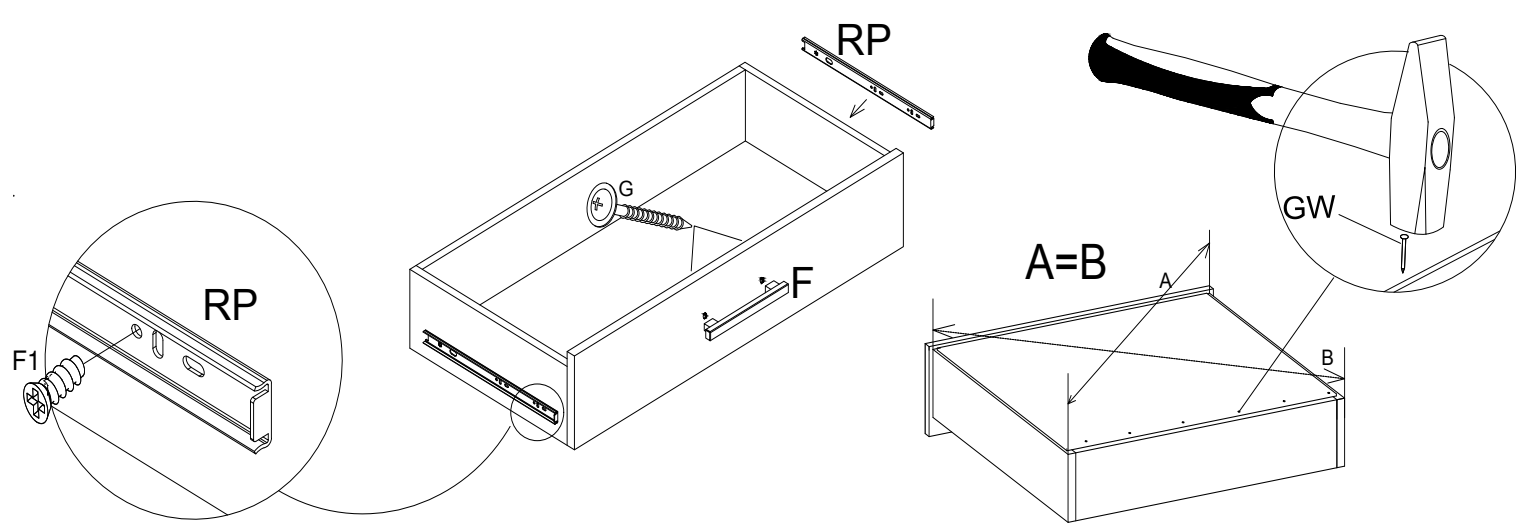
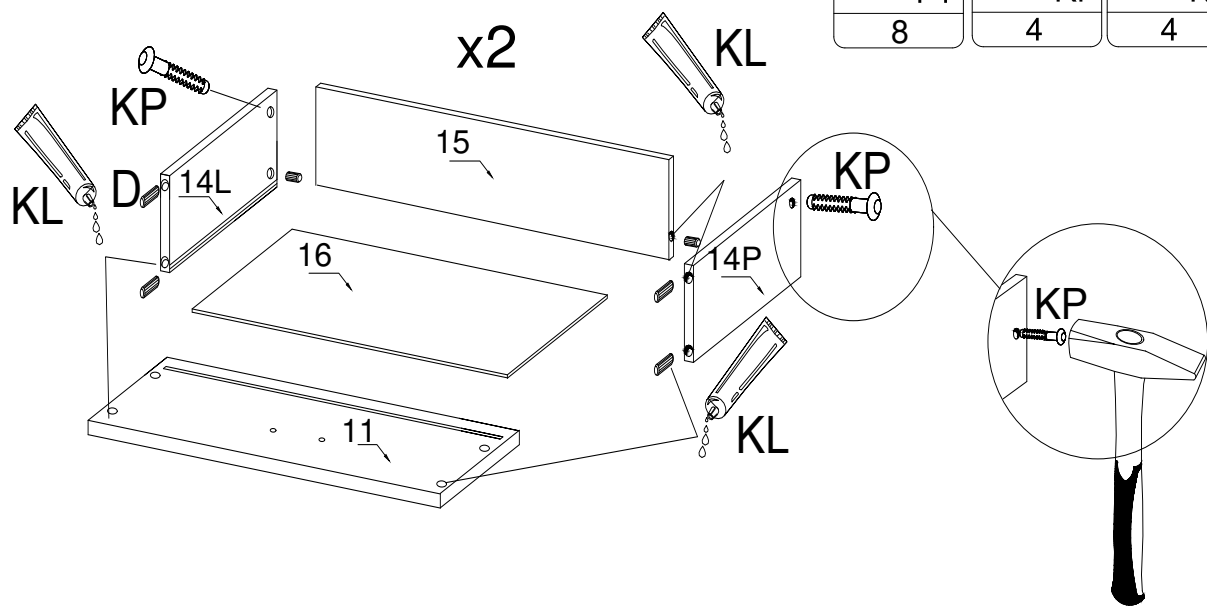
G

4

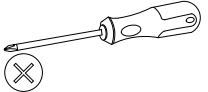
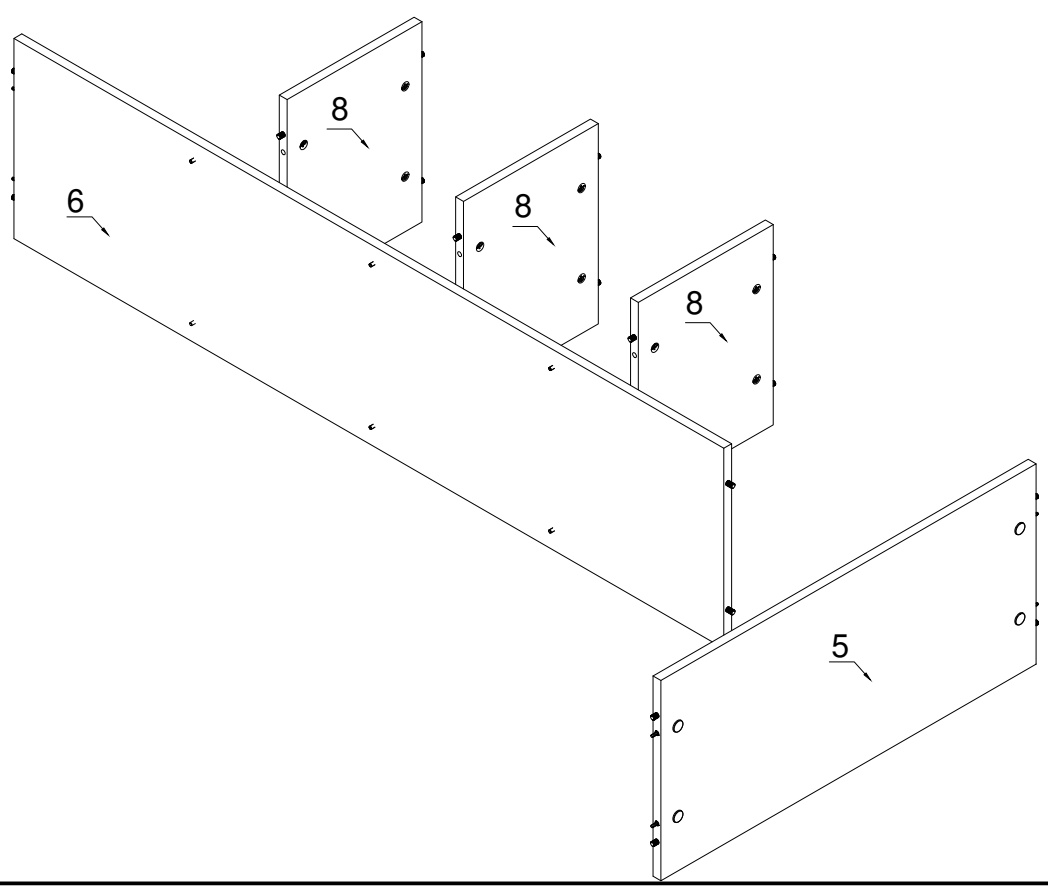


# 7

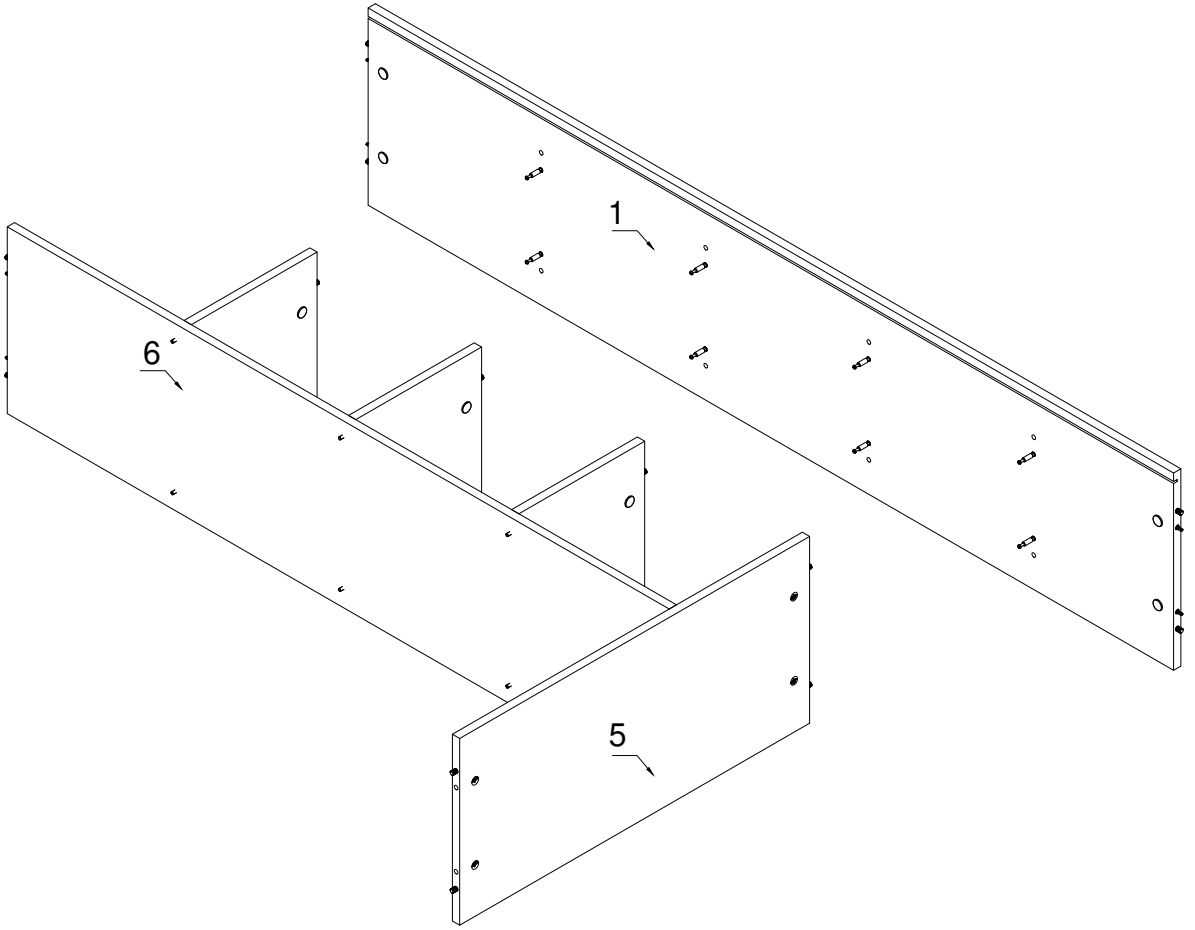
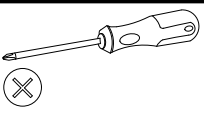
 F1 8	 RP 4	 KP 4	 D 12	 KL 2
			 G 4	 F 2
				 GW 15



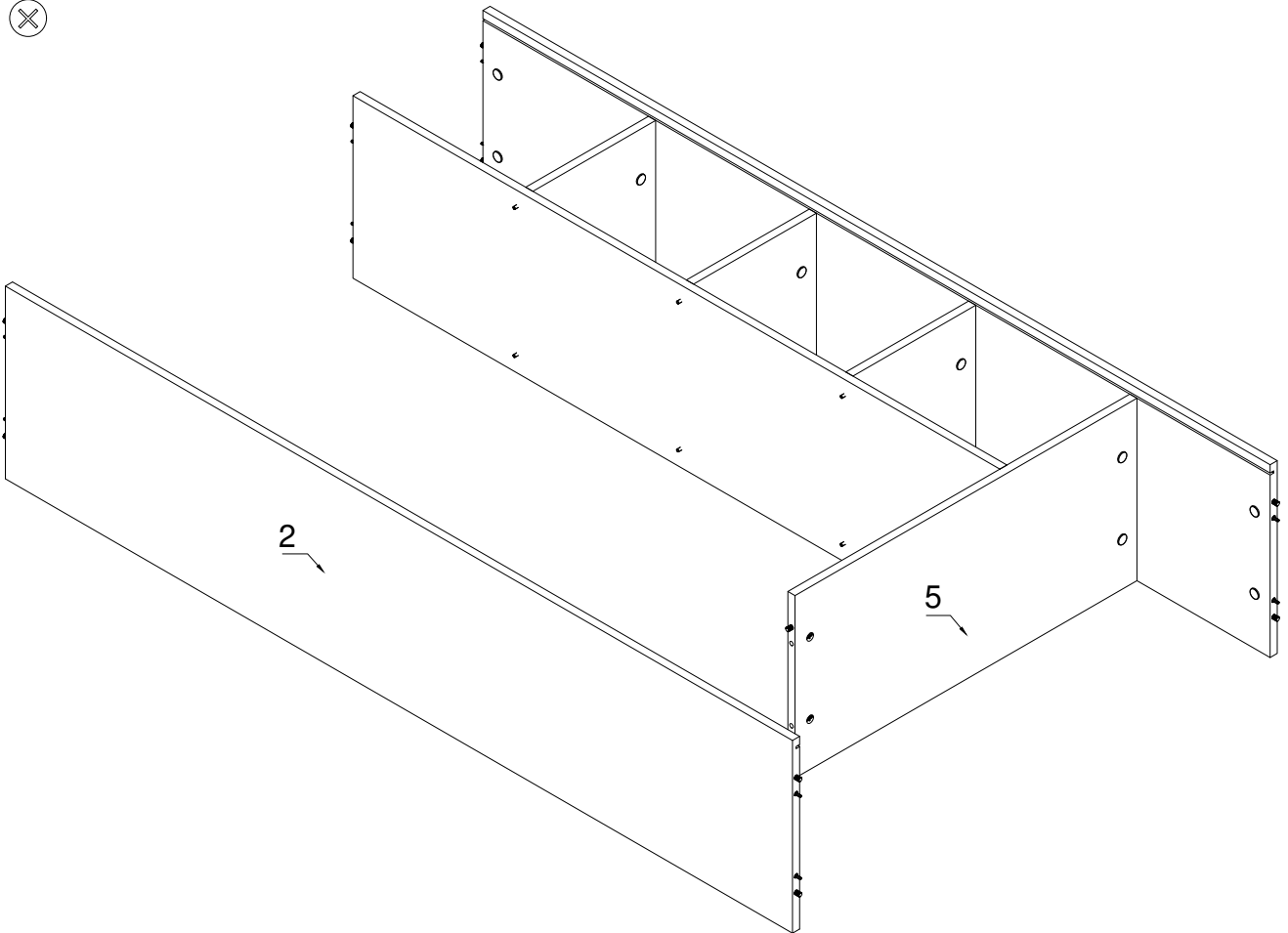
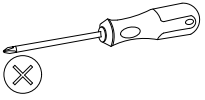
# 8

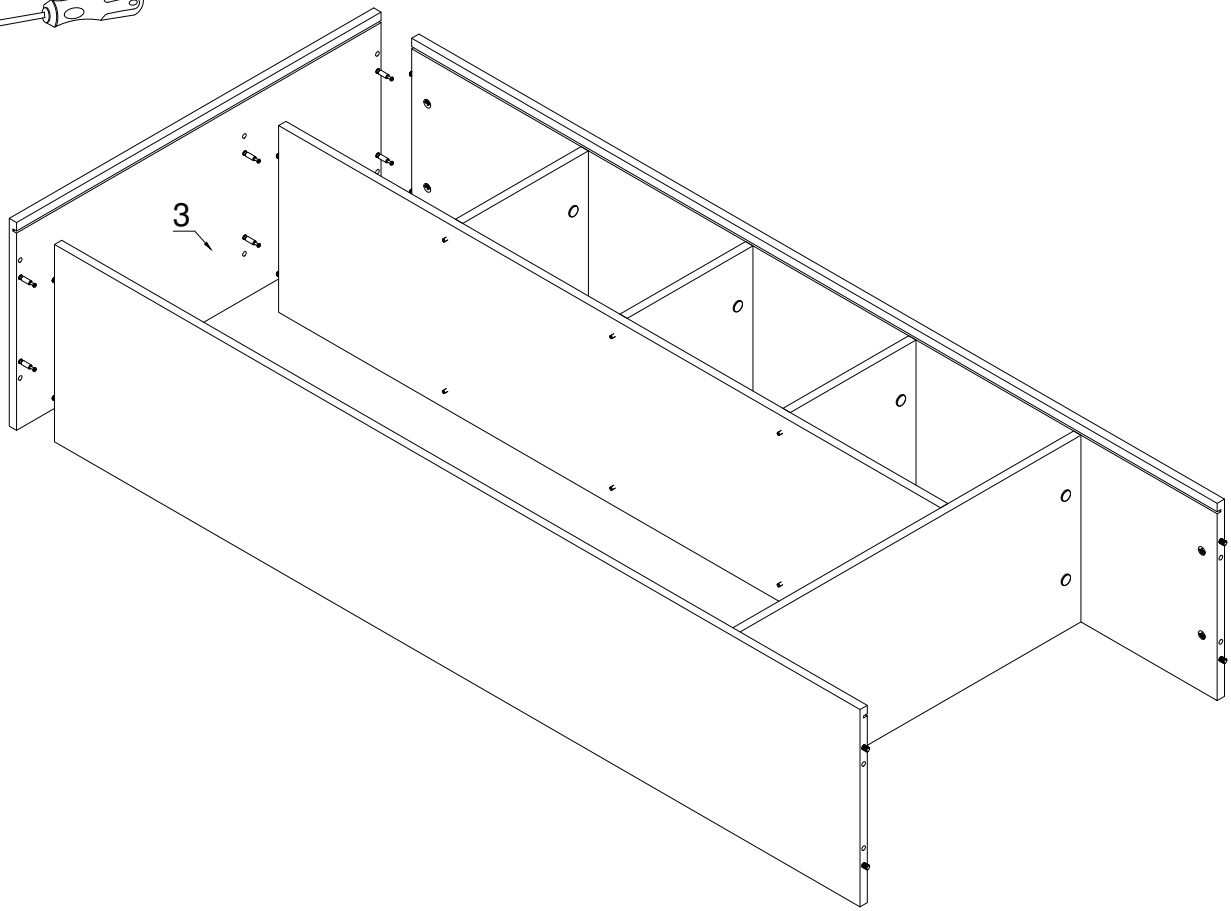
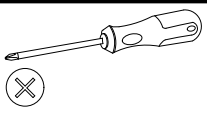
9



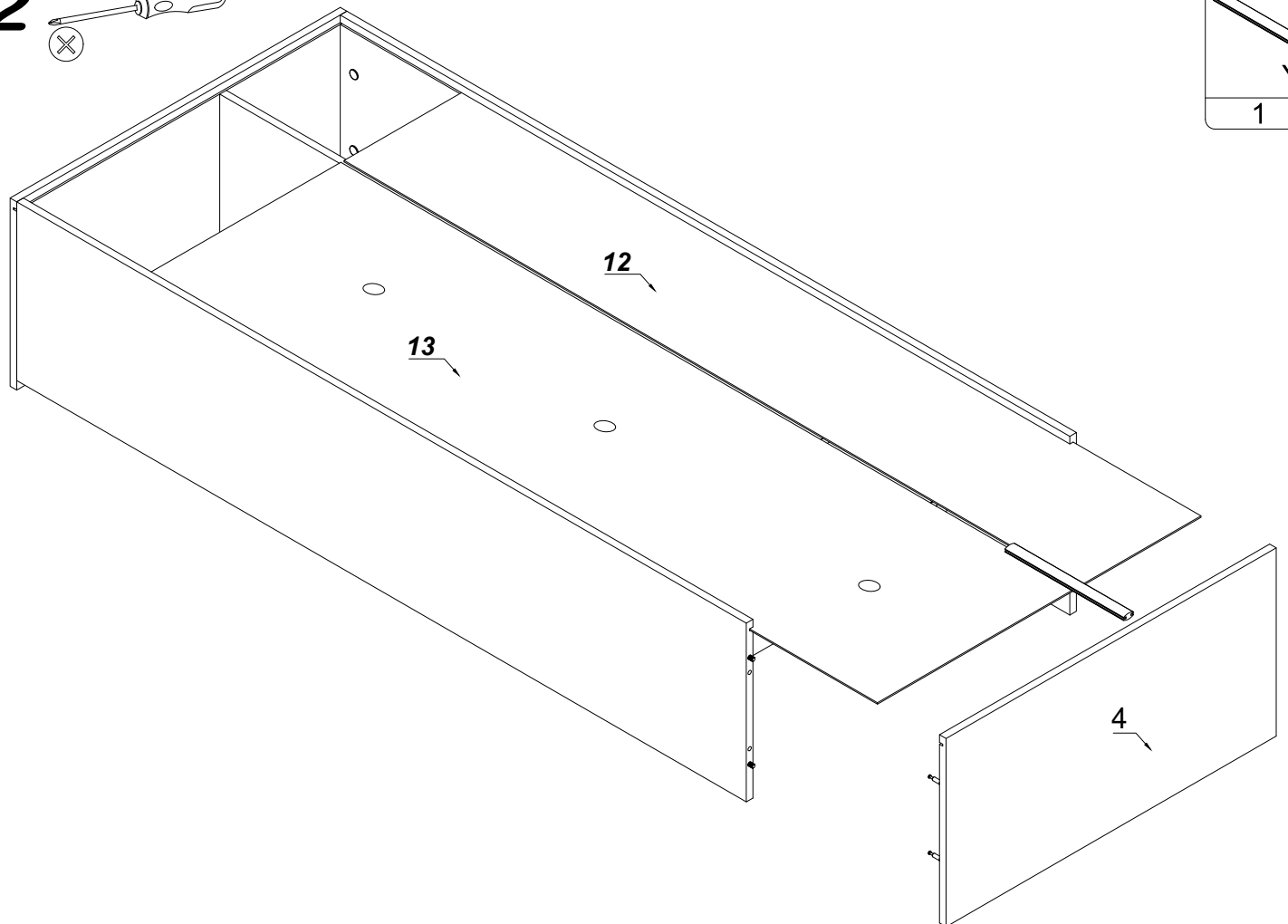
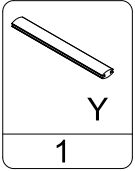
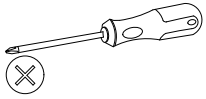
10



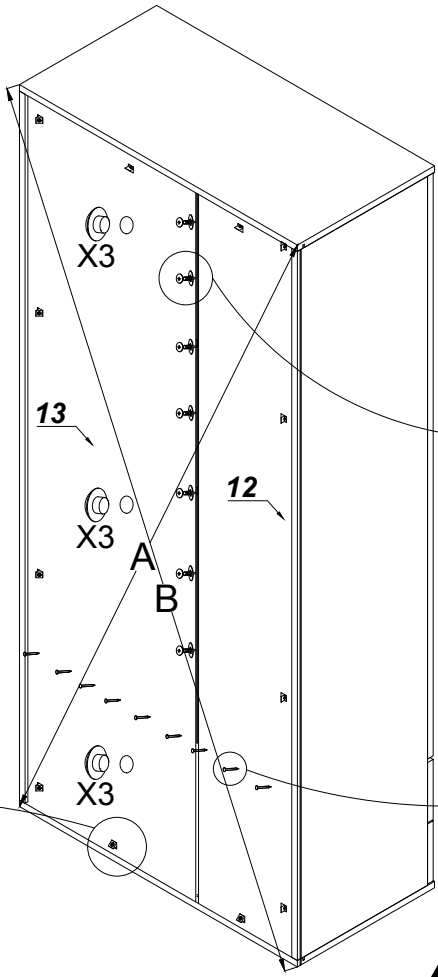
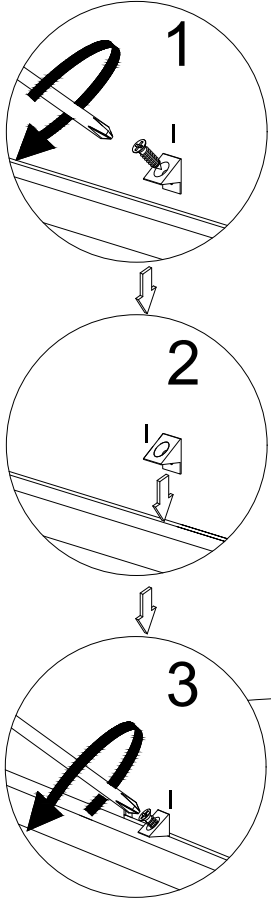
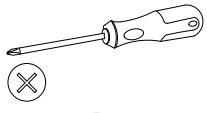
# 11



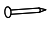




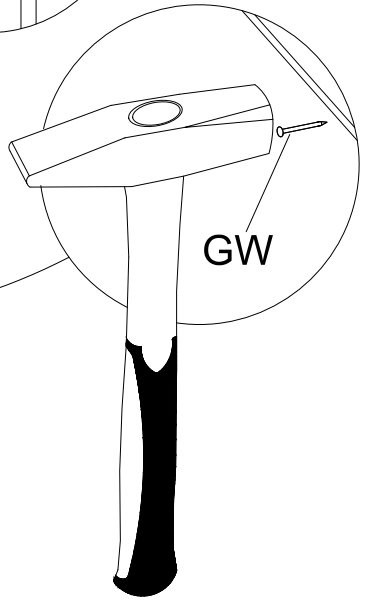
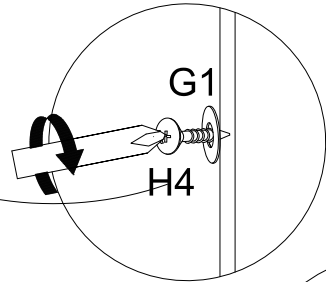
# 12



# 13



 H 7	 G1 7	 GW 10	 I 12
			 X3 3



## A=B

# 14

