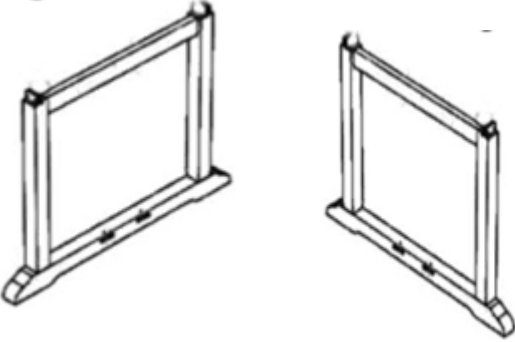
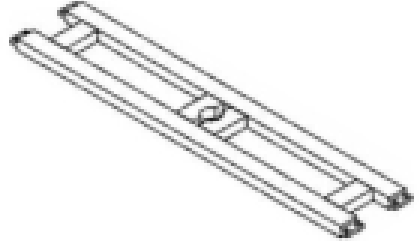
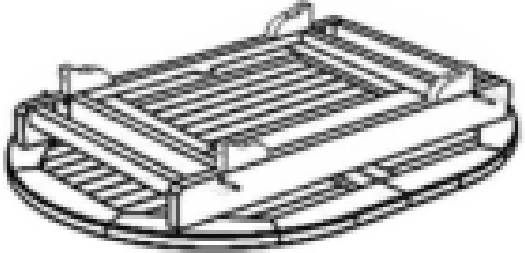

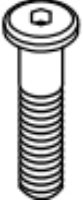
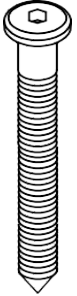
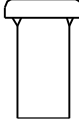
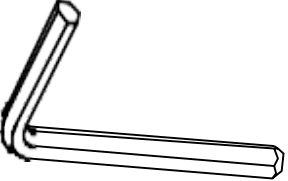
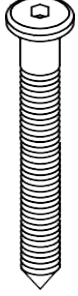


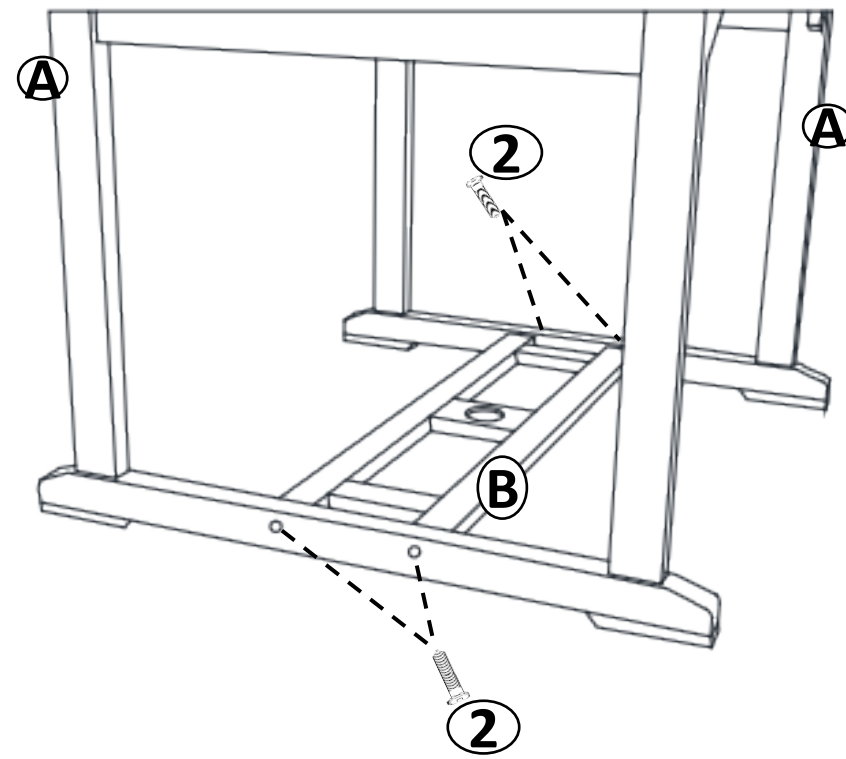
POSSINA

ASSEMBLY INSTRUCTION

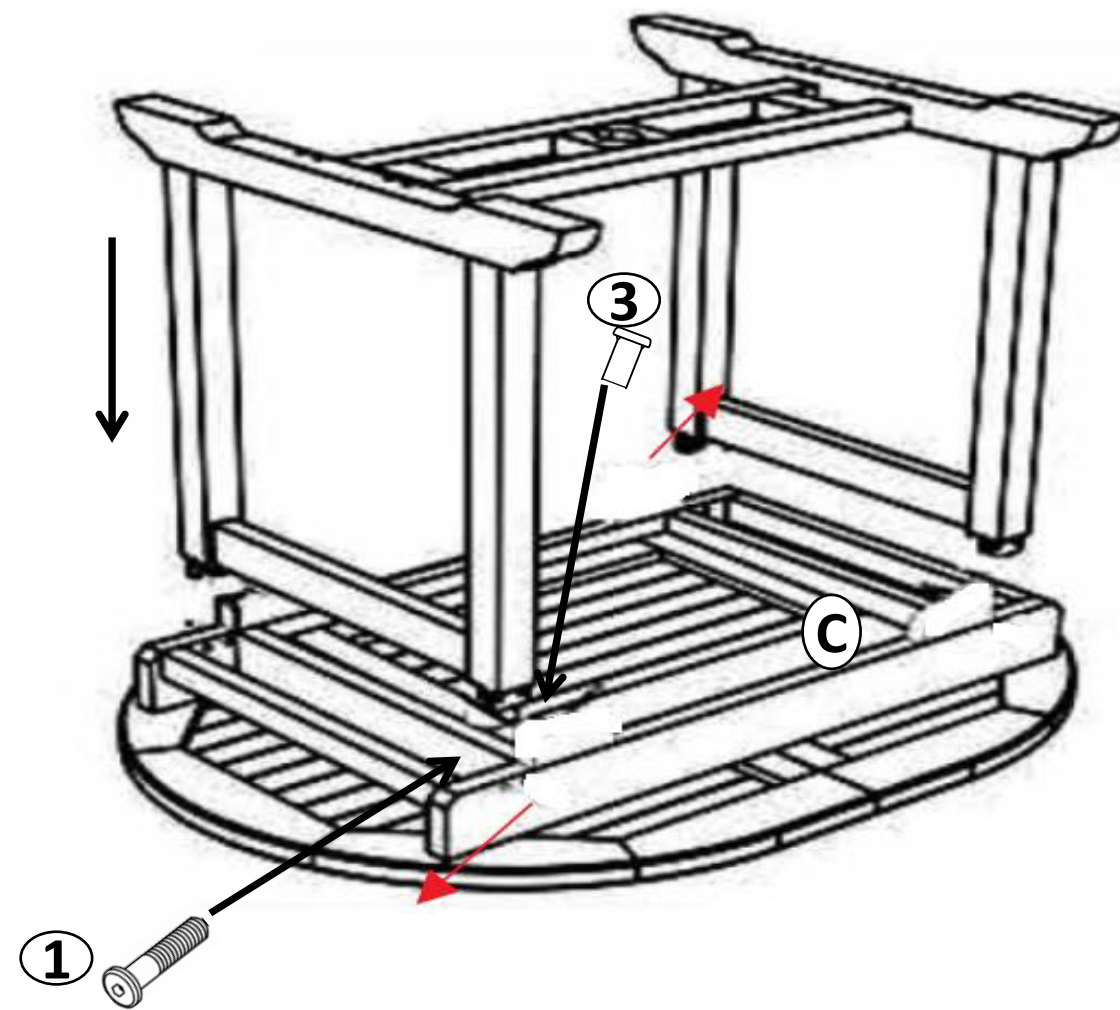
<p>A</p>  <p>Pair of Leg x 1</p>	<p>B</p> <p>Spindles for legs pre- installed</p>  <p>Spindles H x 1</p>	<p>C</p>  <p>Table Top x 1</p>	<p>D</p>  <p>Corner supporter x 4</p>	
<p>1</p>  <p>Bolon M8 x 40</p> <p>X 4</p>	<p>2</p>  <p>Screw M6x 60</p> <p>X 4</p>	<p>3</p>  <p>X 4</p>	<p>5</p>  <p>X 1</p>	<p>6</p>  <p>Screw M6 x 45</p> <p>X 8</p>

POSSINA

1st STEP – CONNECT SPINDLES TO LEGS



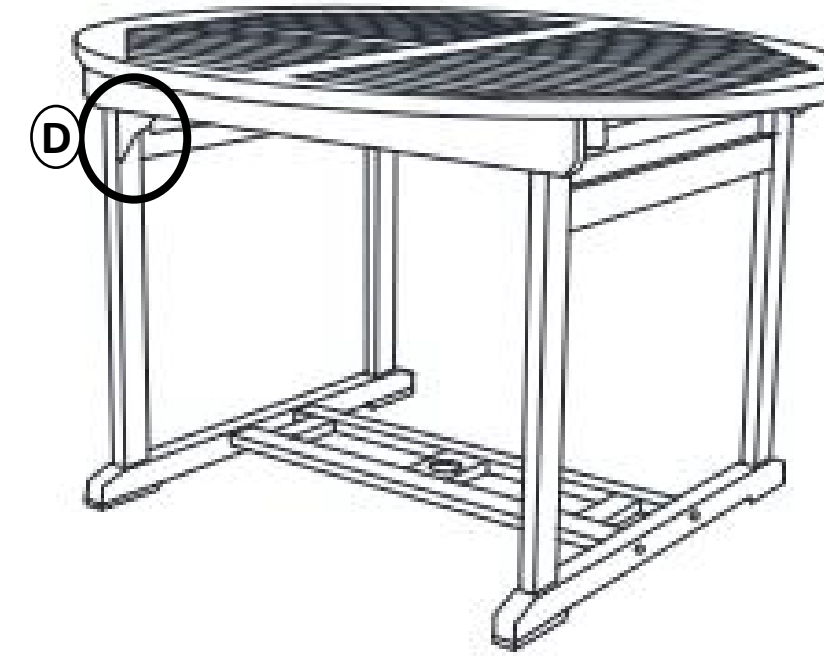
2nd STEP – CONNECT LEGS TO TABLE TOP



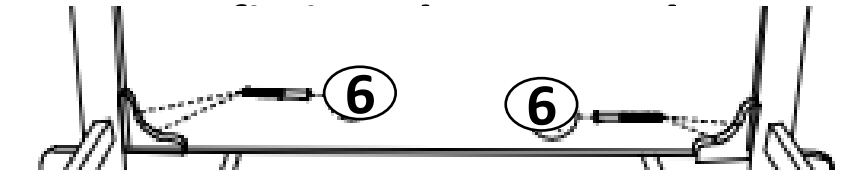
Only connect "1" from outside
Only connect "3" from inside

Per corner need one pc "1" and
one pc "3"
Do same as for 4 corners

3rd STEP – CONNECT CORNER SUPPORTERS TO TABLE TOP



Connect "6" into corner
supporters. Per corner
supporter need 2 screws
No"6"



Finish product

