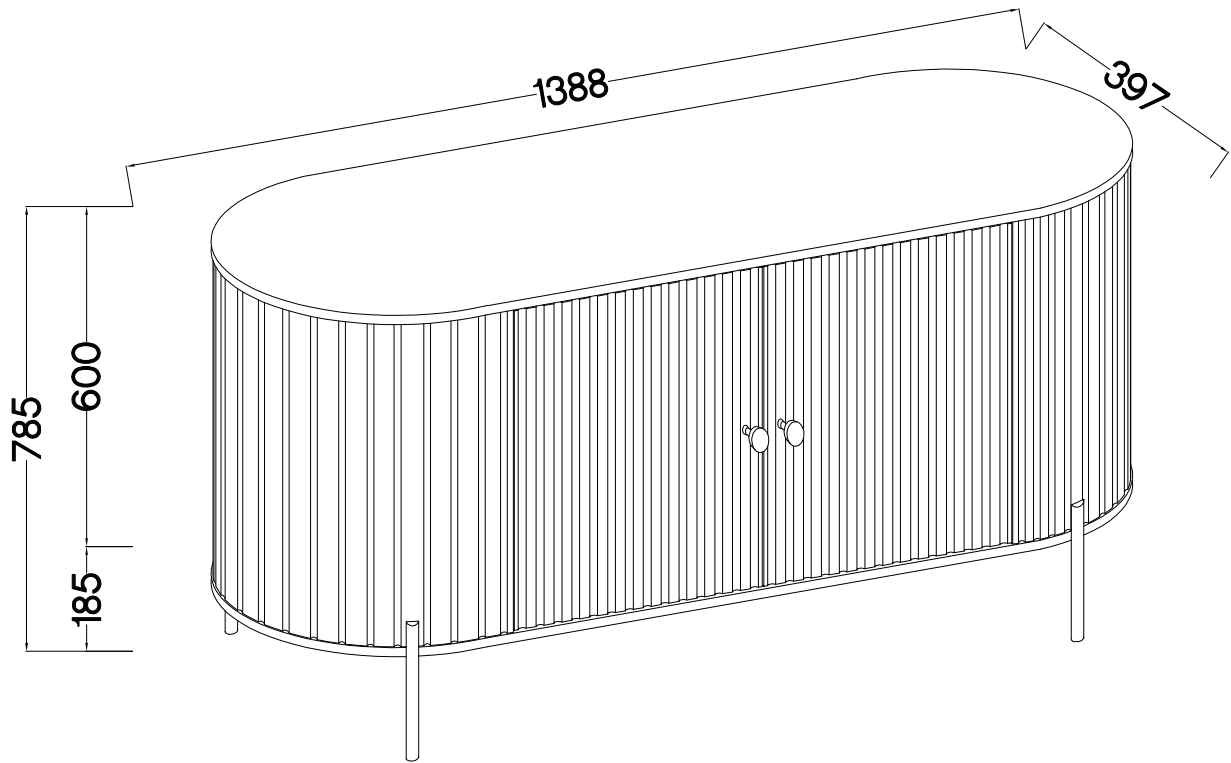
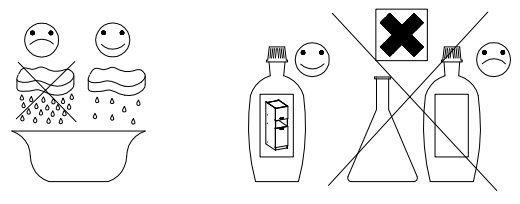
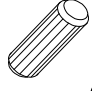



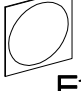


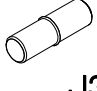







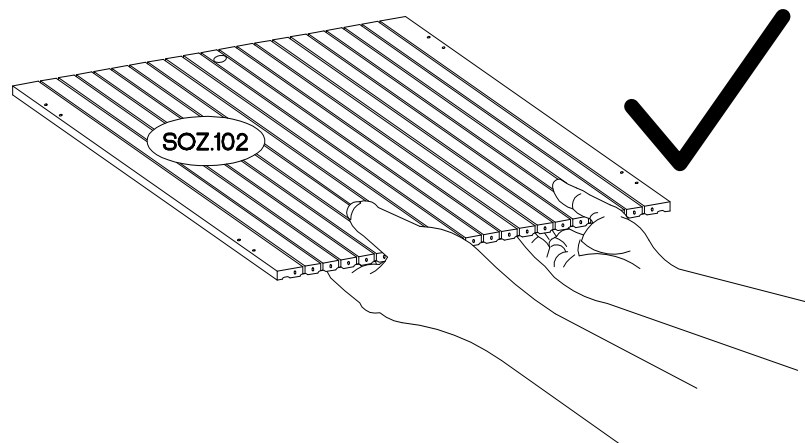
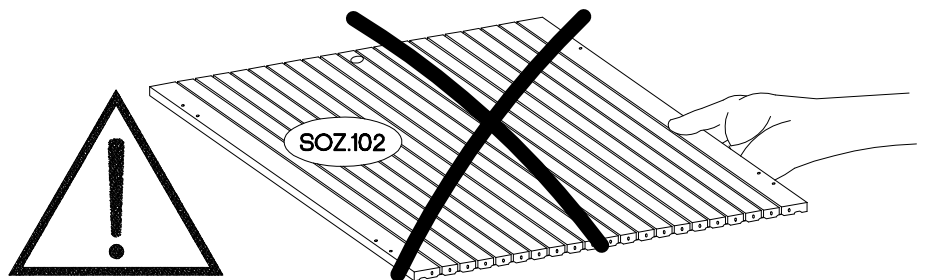
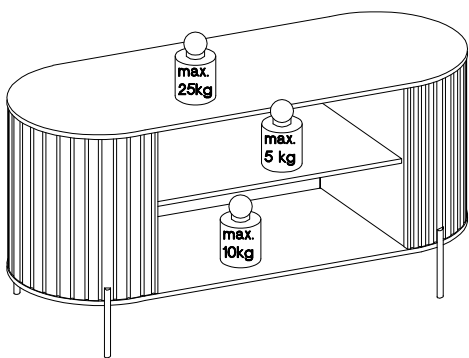
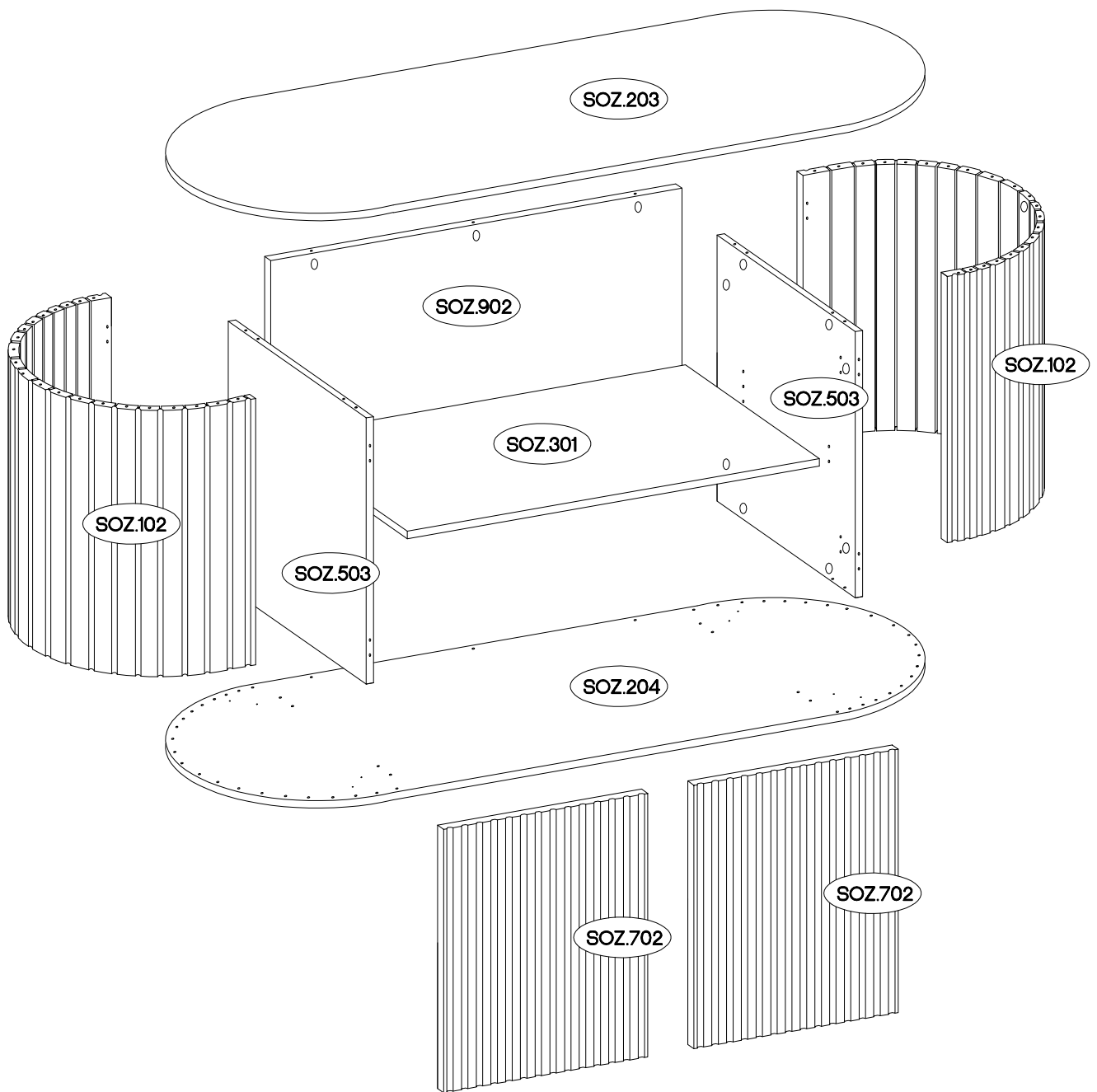


TYP 802

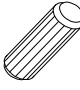




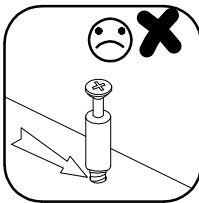
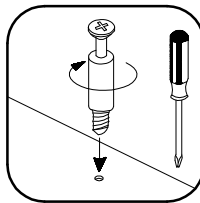
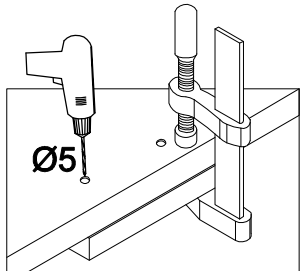
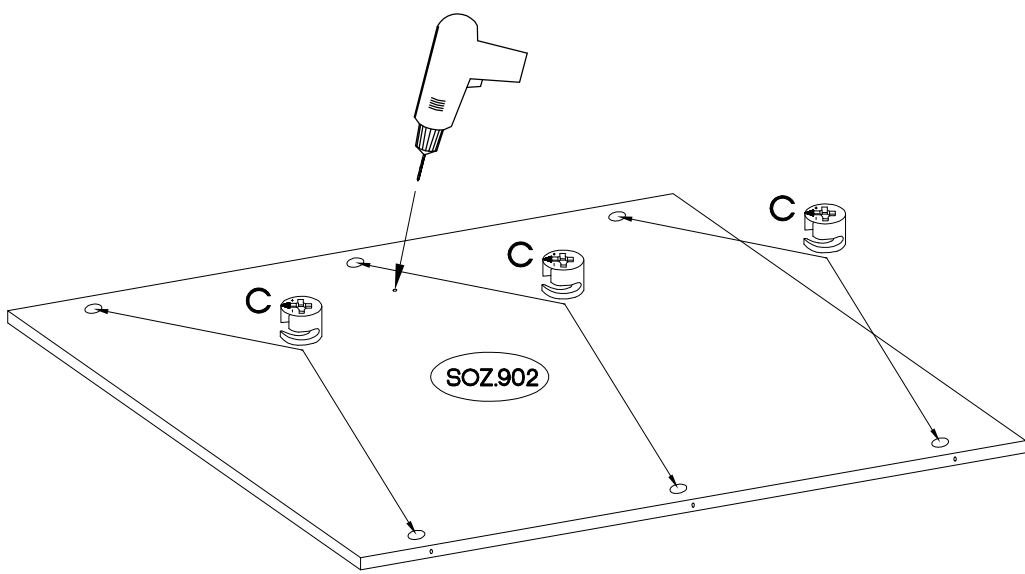
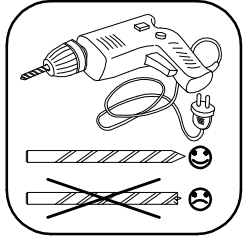
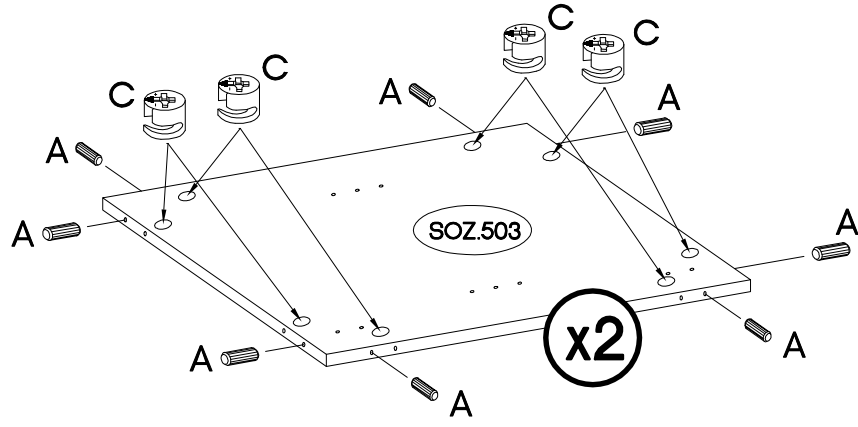
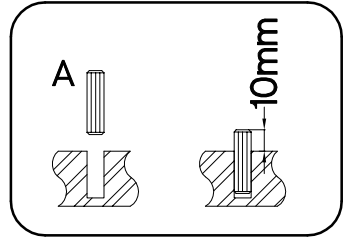
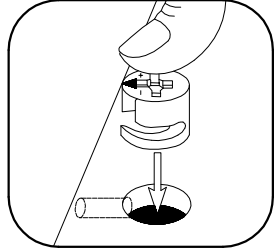
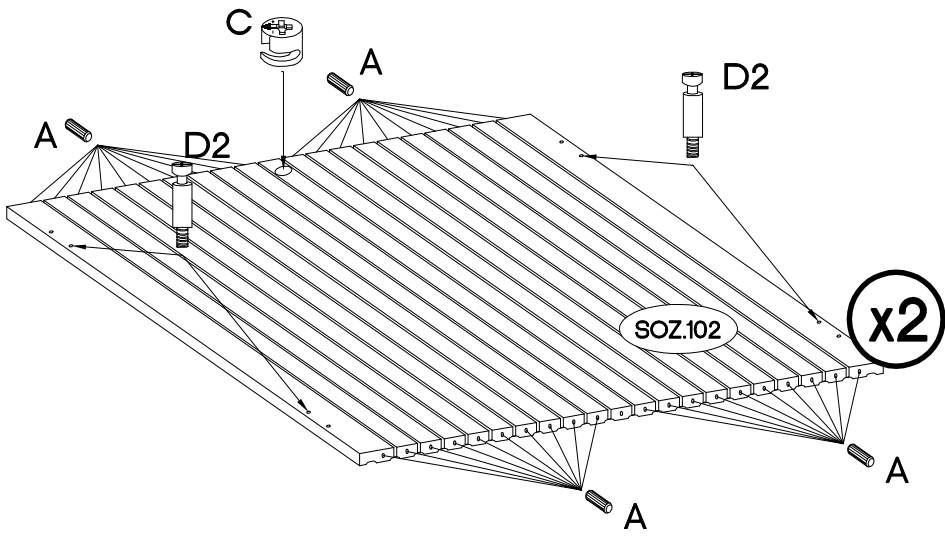
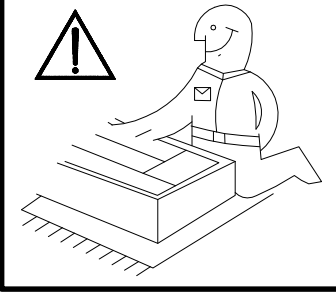
 <b>A</b> 96	 <b>B</b> 2 L=185mm	 <b>C</b> 24	 <b>D2</b> 24	 <b>E11</b> 23	 <b>F39</b> 4	 <b>HG2</b> 4	 <b>J3</b> 6	 <b>O</b> 1	 <b>O7</b> 1	 <b>P5</b> 8	 <b>P12</b> 1	 <b>R11</b> 16	 <b>S</b> 2	 <b>U</b> 2
--	---	---	--	--	--	--	---	--	---	---	--	---	--	--

ISM-SOZ-002


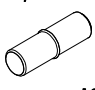


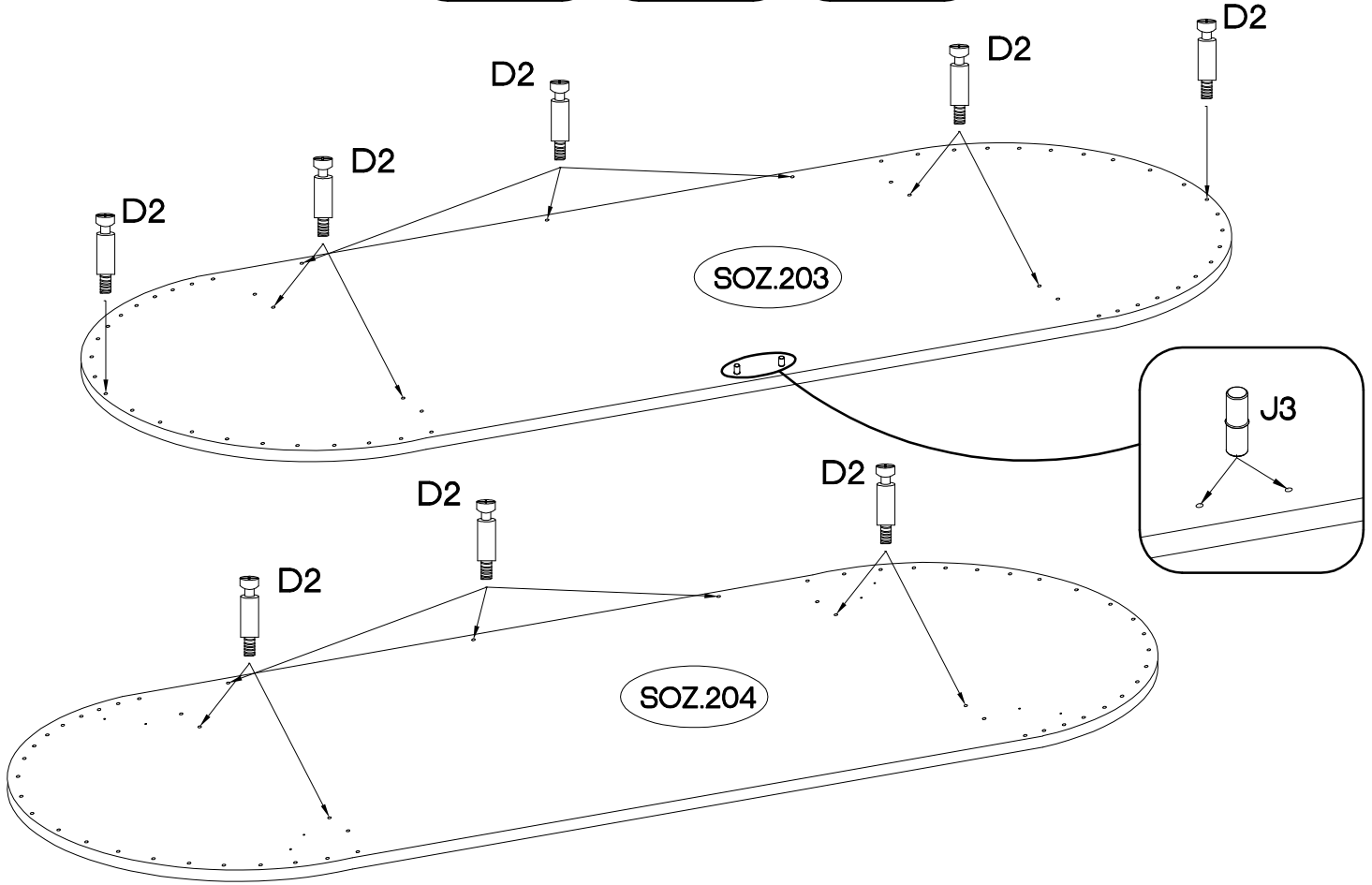
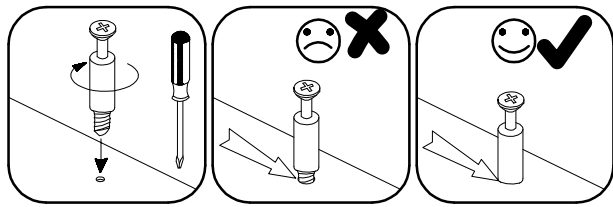
	Ersatzteil Nummer	Dimension
	SOZ.503 x2	570x361x16
	SOZ.902	570x894x16
	SOZ.301	896x350x16
	SOZ.702 x2	564x444x16
	SOZ.102 x2	570x704x16
	SOZ.203	1388x397x16
	SOZ.204	1388x397x16

$\pm 8 \times 30 \text{mm}$  A 96	$\pm 15 / 12 \text{mm}$  C 24	L=20mm  D2 8
--	--	---

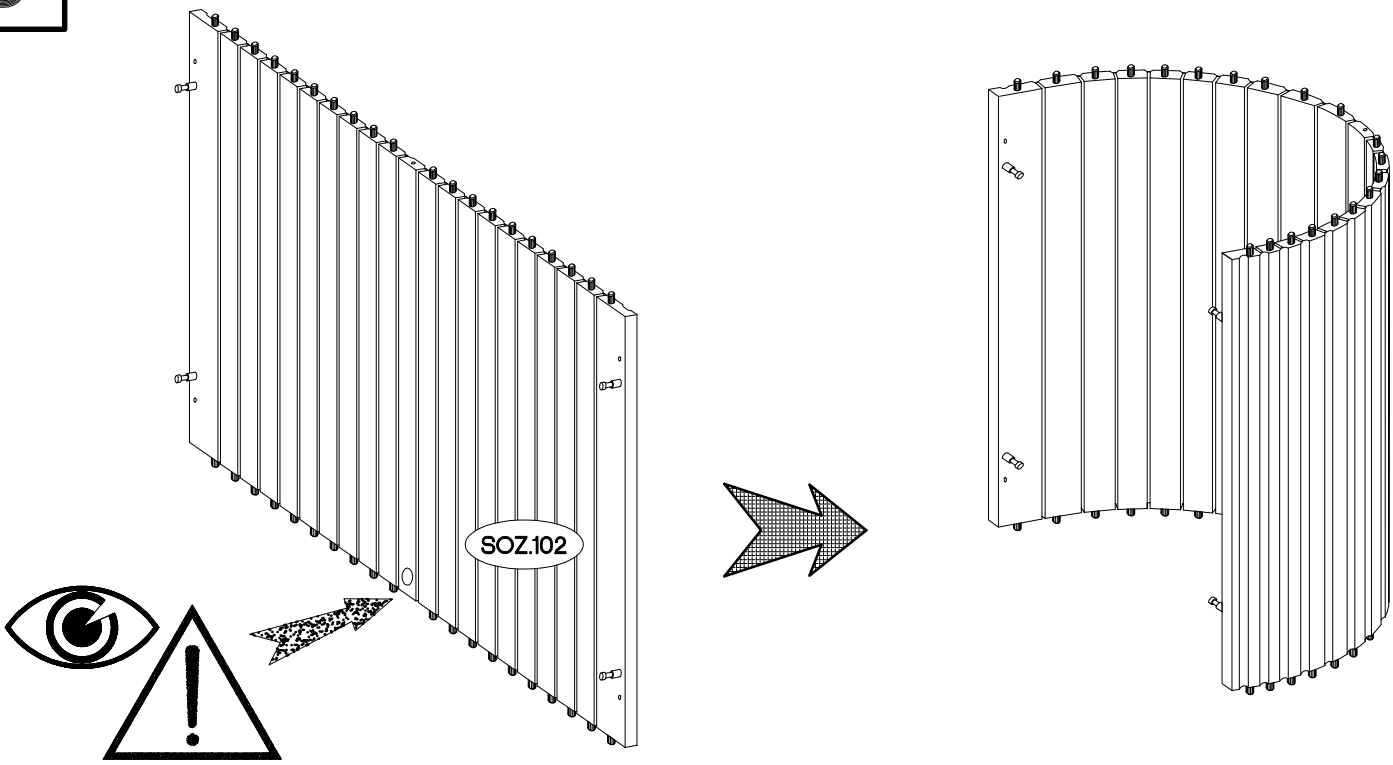


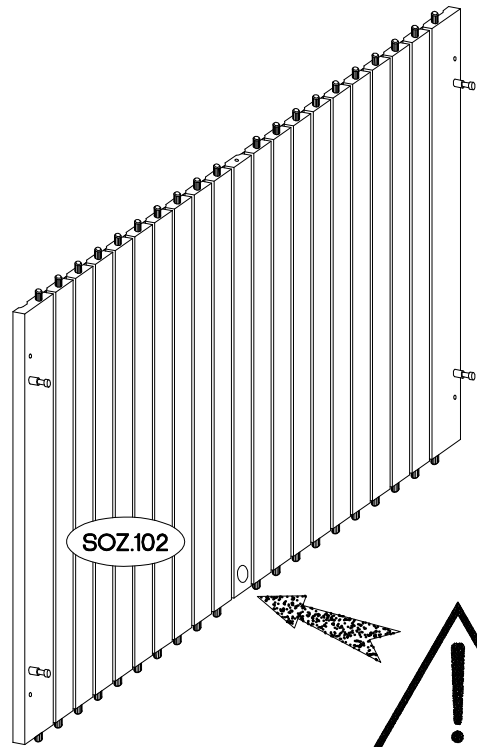
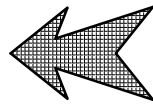
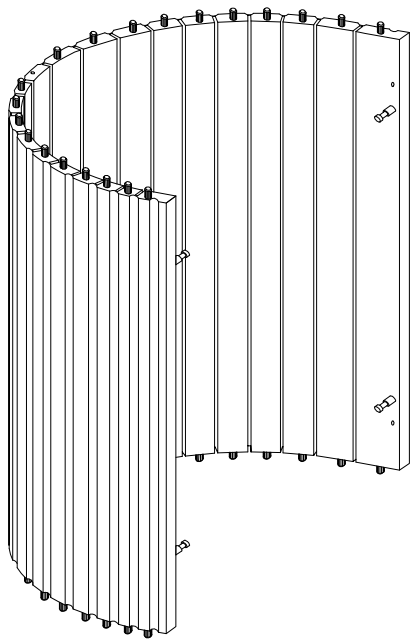
2

L=20mm	+5/16mm
	
D2	J3
16	2

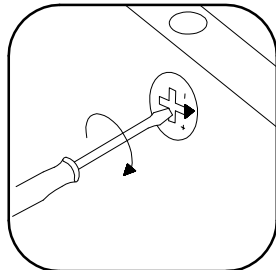
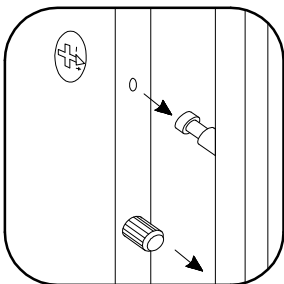
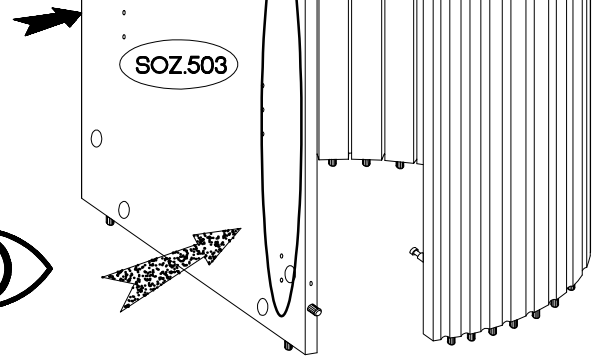
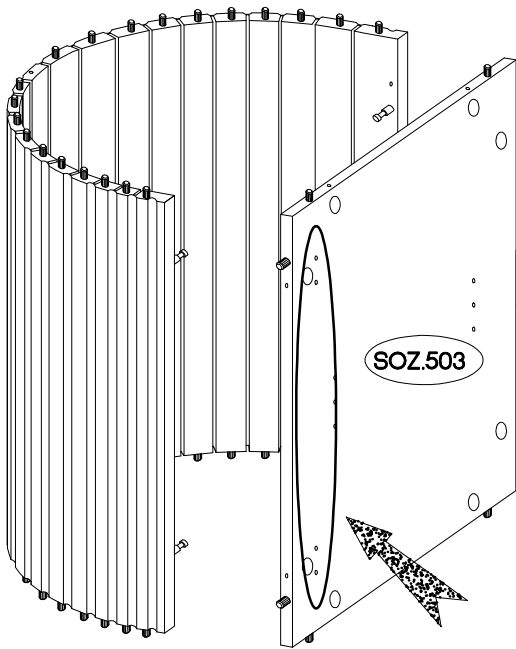


3

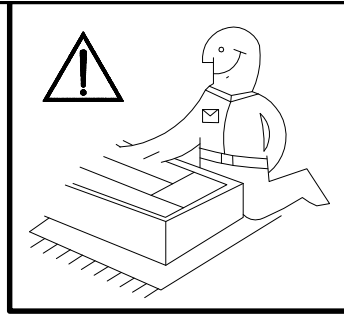
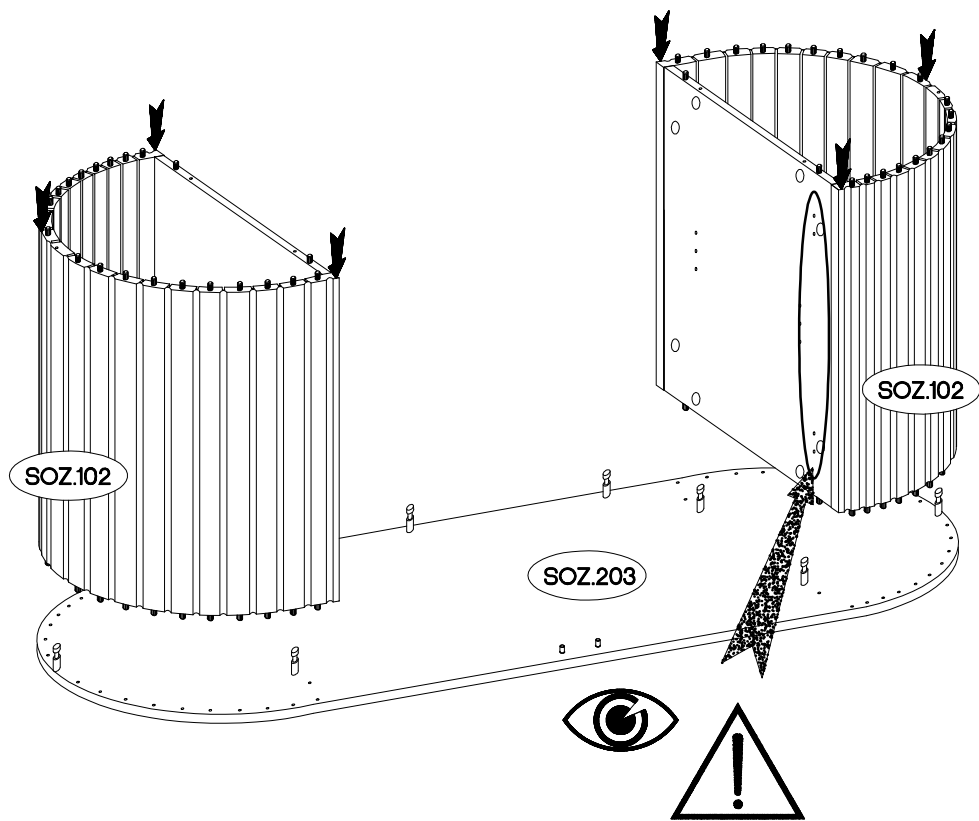




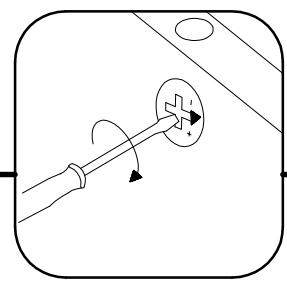
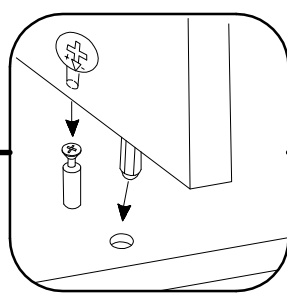
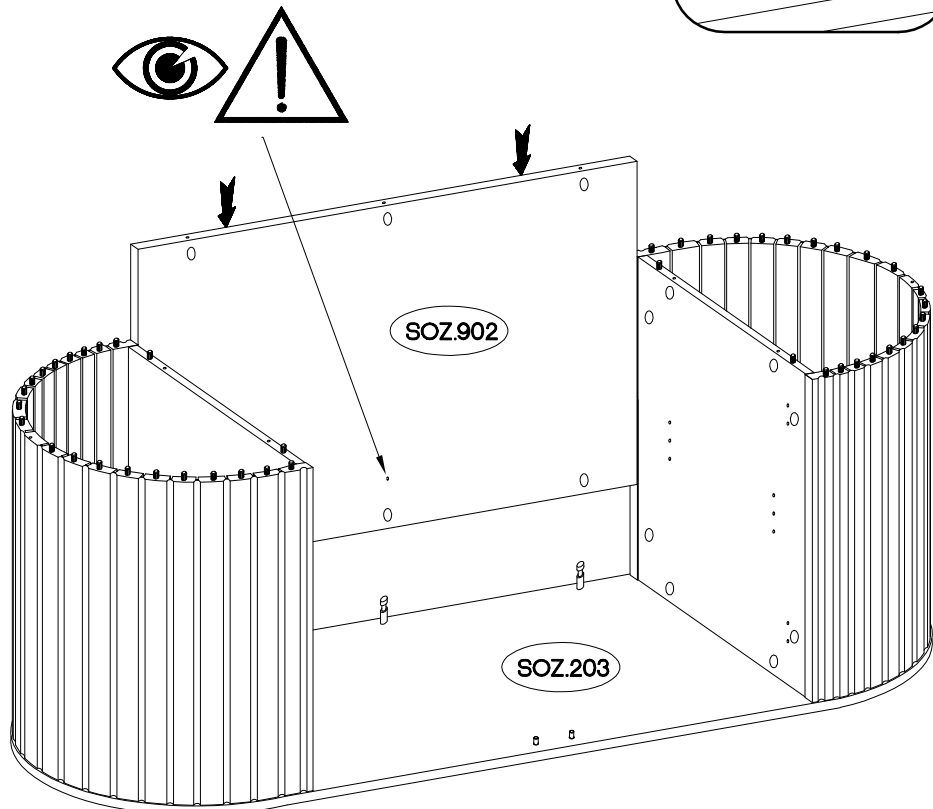
4




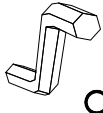
5

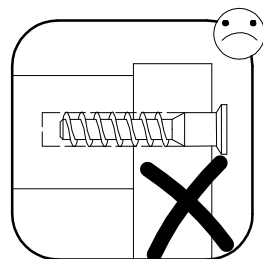
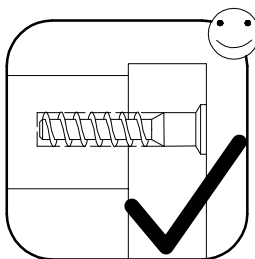
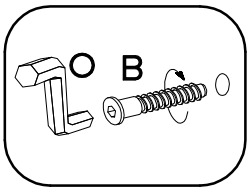
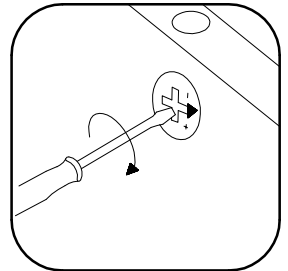
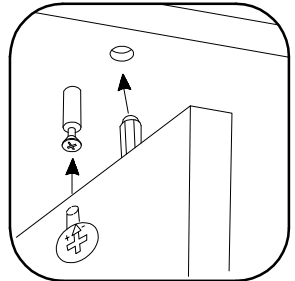
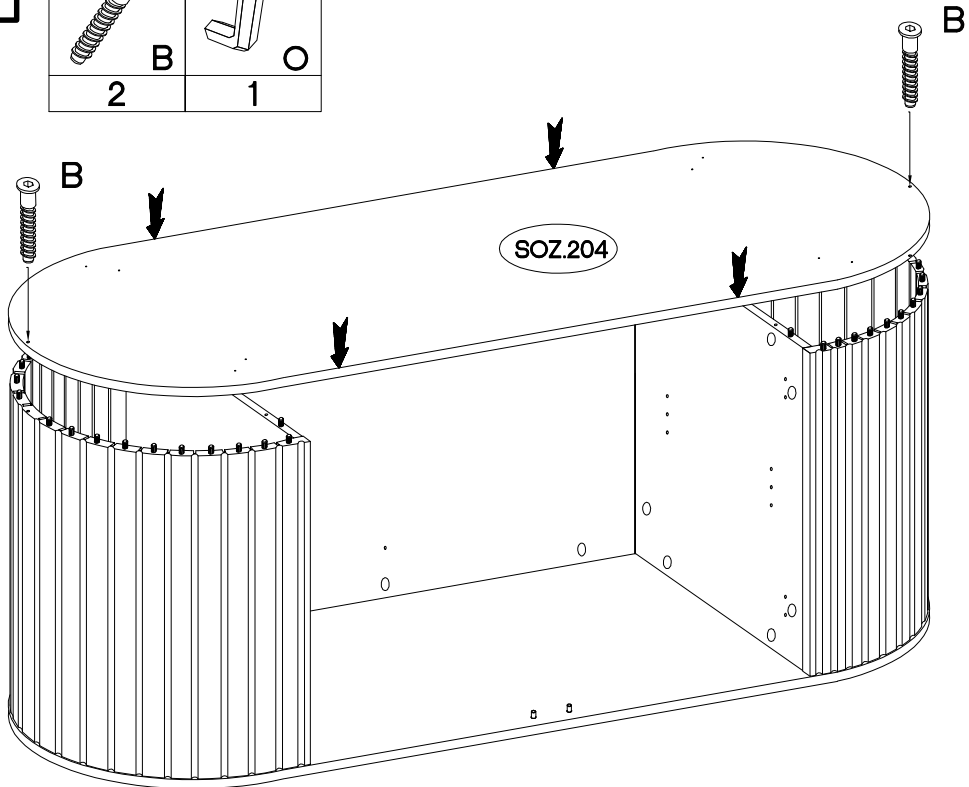
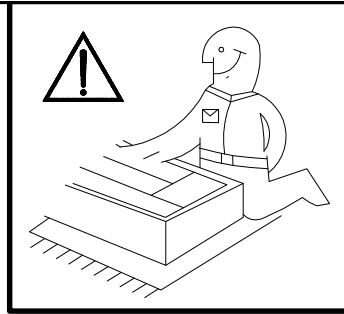


6

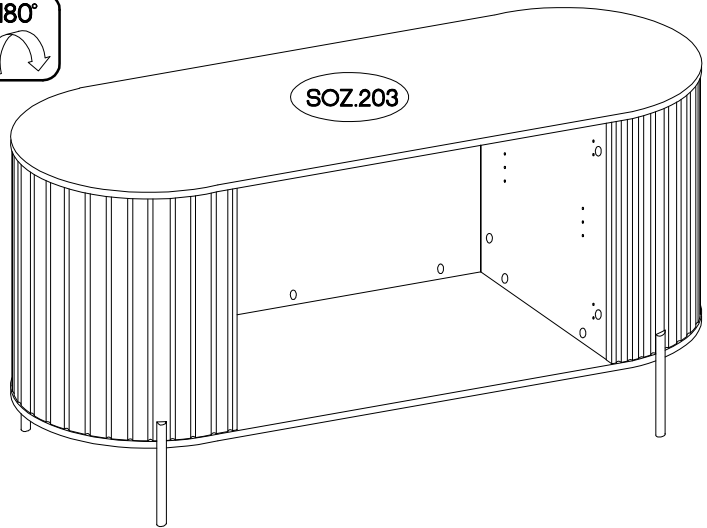
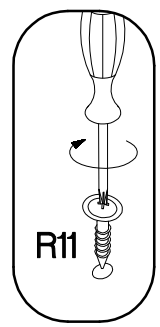
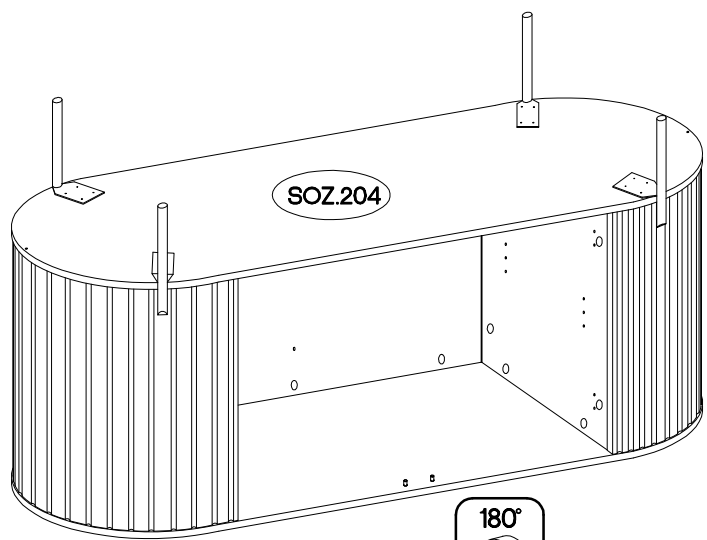




7



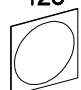
6,4 x 50mm	
	
B	O
2	1

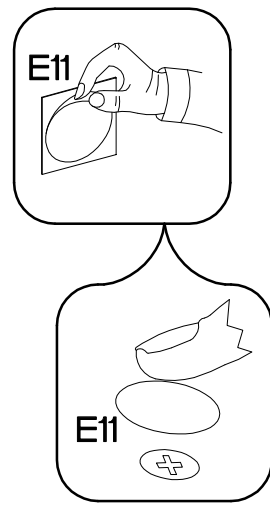
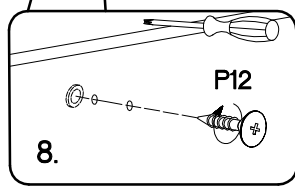
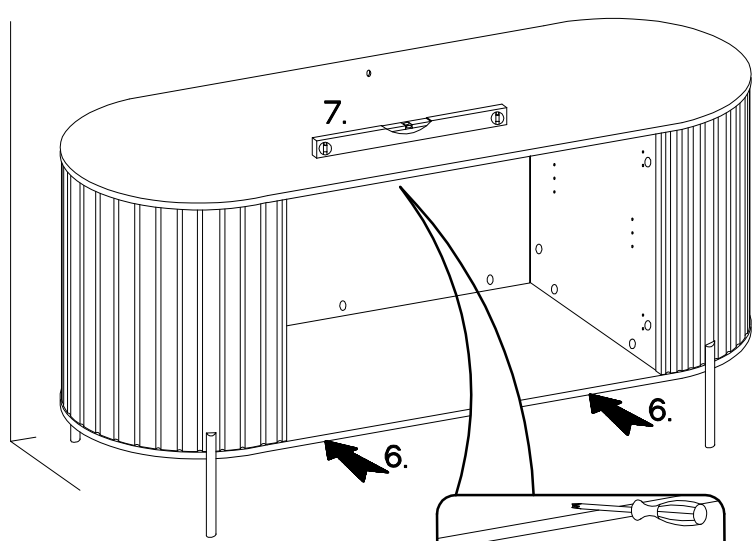
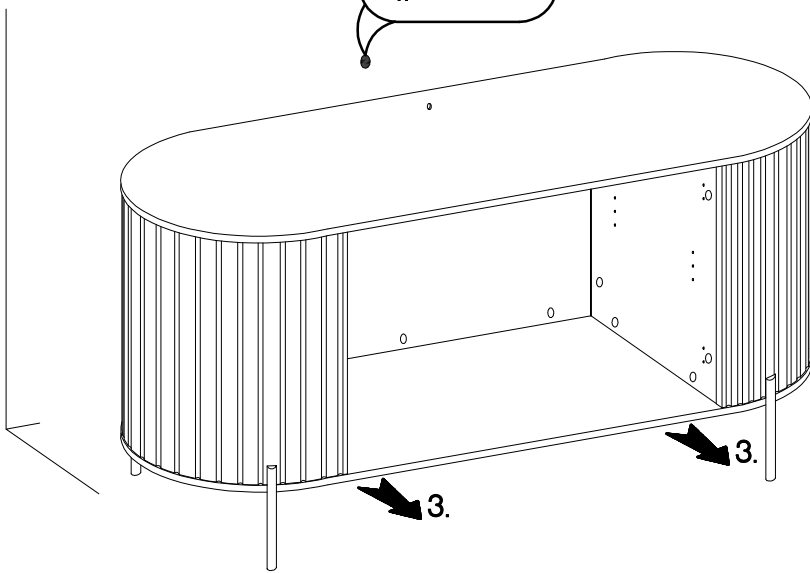
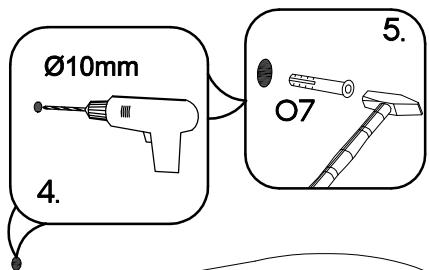
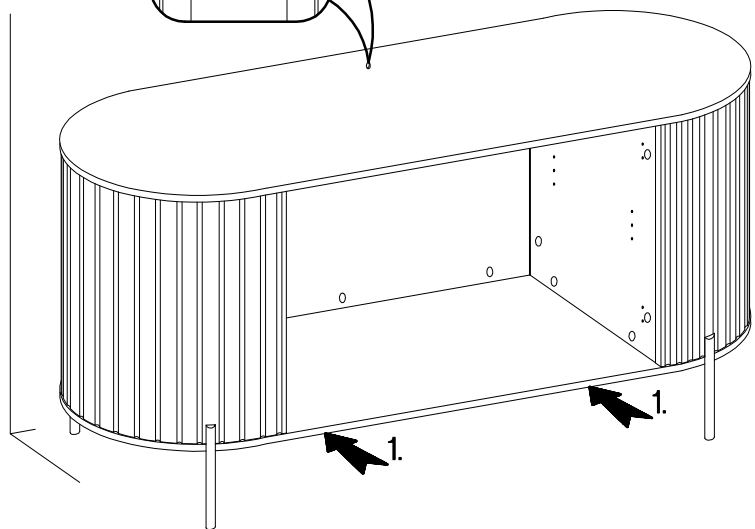
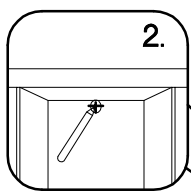
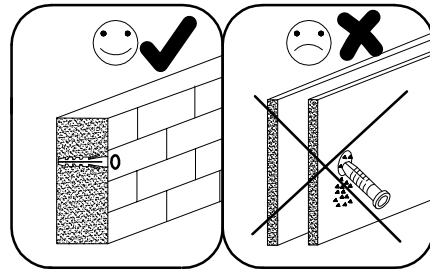


8

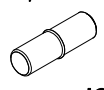


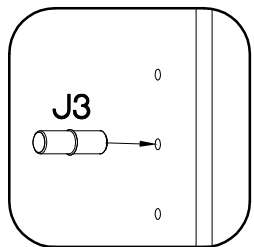
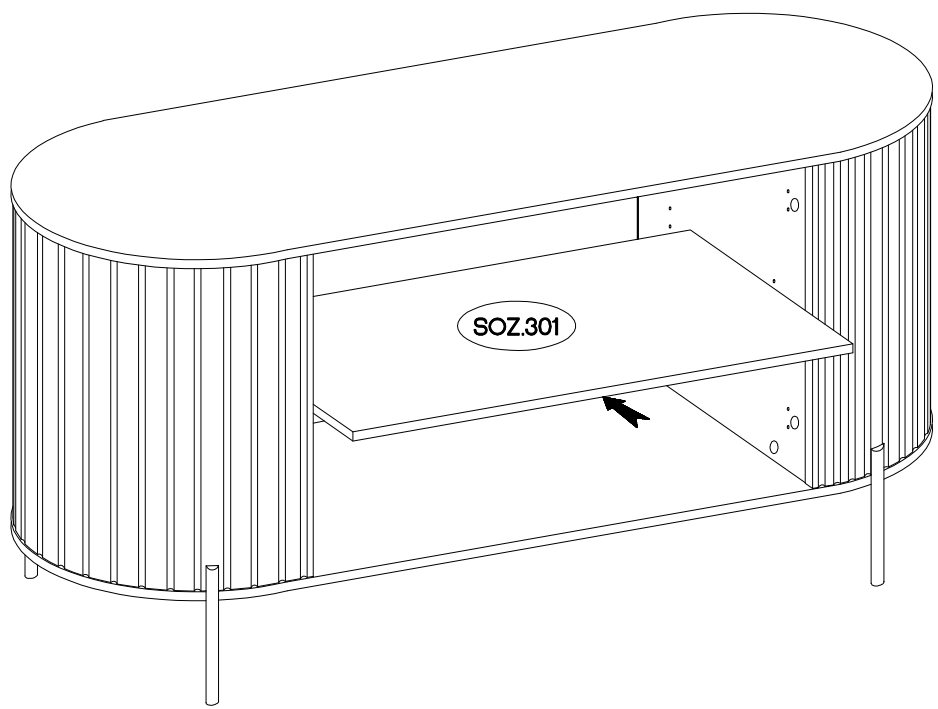
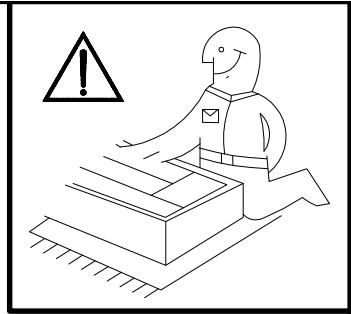
L=185mm	±4.0x16mm
	
F39	R11
4	16

$\pm 10 \times 50 \text{mm}$ 	$\pm 5.0 \times 60 \text{mm}$ 	$\pm 20$ 
O7	P12	E11
1	1	23





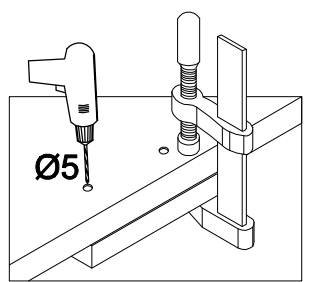
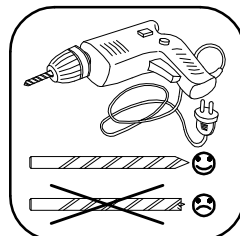
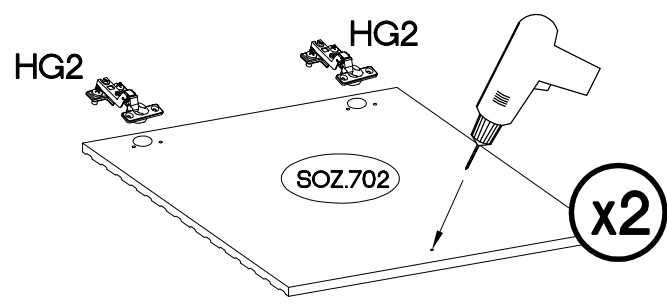
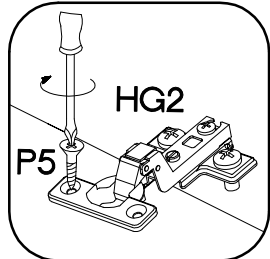
# 10


$\pm 5/16\text{mm}$  <b>J3</b>
<b>4</b>



# 11

$\pm 35/16\text{mm}$  <b>HG2</b>	$\pm 3.5 \times 13\text{mm}$  <b>P5</b>
<b>4</b>	<b>8</b>



	M4x22mm
S	U
2	2

