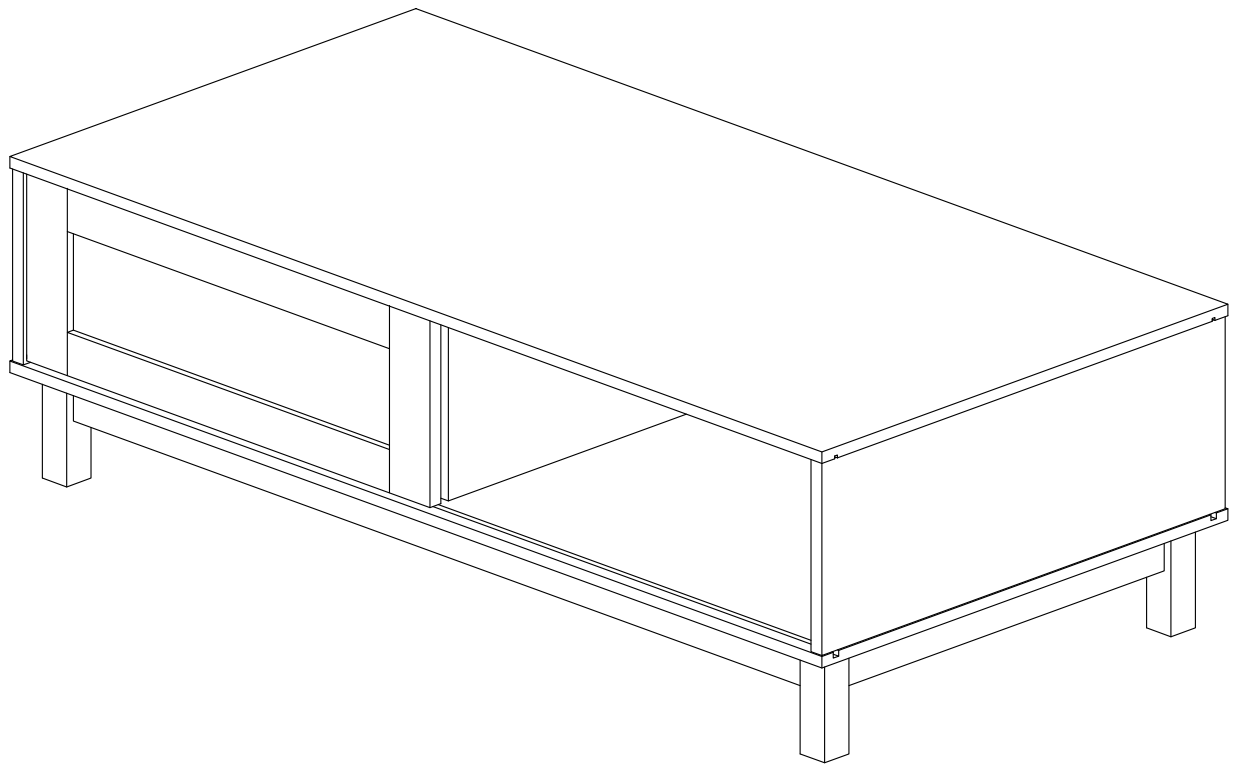


ASSEMBLY INSTRUCTION

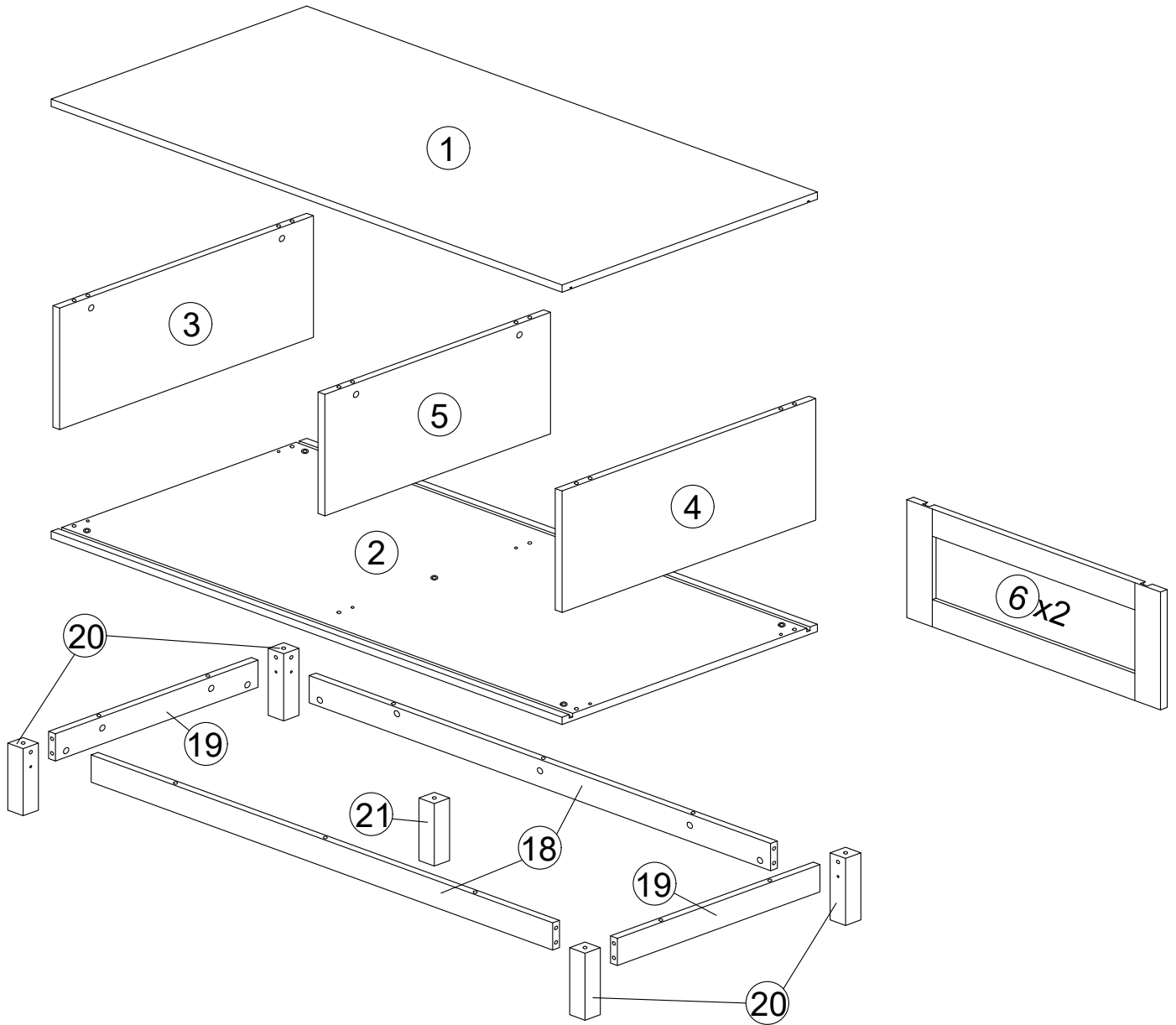
CF 25

2Sliding Doors



ASSEMBLY INSTRUCTION

CF 25 2Sliding Doors

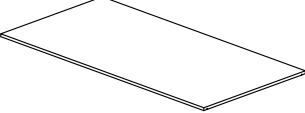
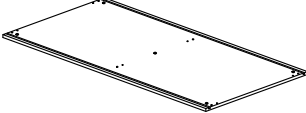
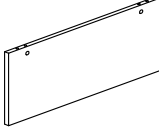
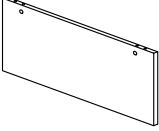
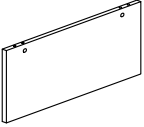
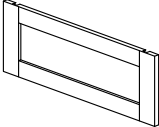
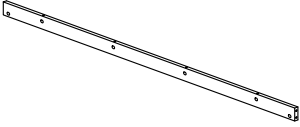
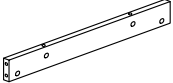




ASSEMBLY INSTRUCTION





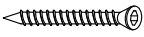
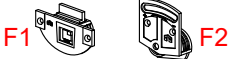
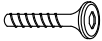


CF 25

2Sliding Doors

PART LIST

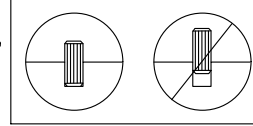
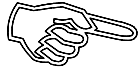
<p>1</p>  <p>Top Panel 1 PC</p>	<p>2</p>  <p>Bottom Panel 1 PC</p>	<p>3</p>  <p>Side Panel L 1 PC</p>	<p>4</p>  <p>Side Panel R 1 PC</p>
<p>5</p>  <p>Center Panel 1 PC</p>	<p>6</p>  <p>Door Panel 2 PCS</p>	<p>18</p>  <p>Leg Support Middle 2 PCS</p>	<p>19</p>  <p>Leg Support Side 2 PCS</p>
<p>20</p>  <p>Side Leg 4 PCS</p>	<p>21</p>  <p>Center Leg 1 PC</p>		

HARDWARE LIST

<p>A</p>  <p>Camlock 15MM 24 PCS</p>	<p>B</p>  <p>Camlock Bolt 15MM 24 PCS</p>	<p>C</p>  <p>M8x25MM Wood Dowel 20 PCS</p>	<p>D</p>  <p>CB Screw M3.5x16MM 16 PCS</p>
<p>E</p>  <p>Csk M6x50MM 6 PCS</p>	<p>F</p>  <p>K445 Roller 4 PCS</p>	<p>G</p>  <p>M6x30MM JCBC Screw 5 PCS</p>	<p>H</p>  <p>PVC Nail Leg 5/8 4 PCS</p>
<p>I</p>  <p>M4 Allen Key 1 PC</p>			

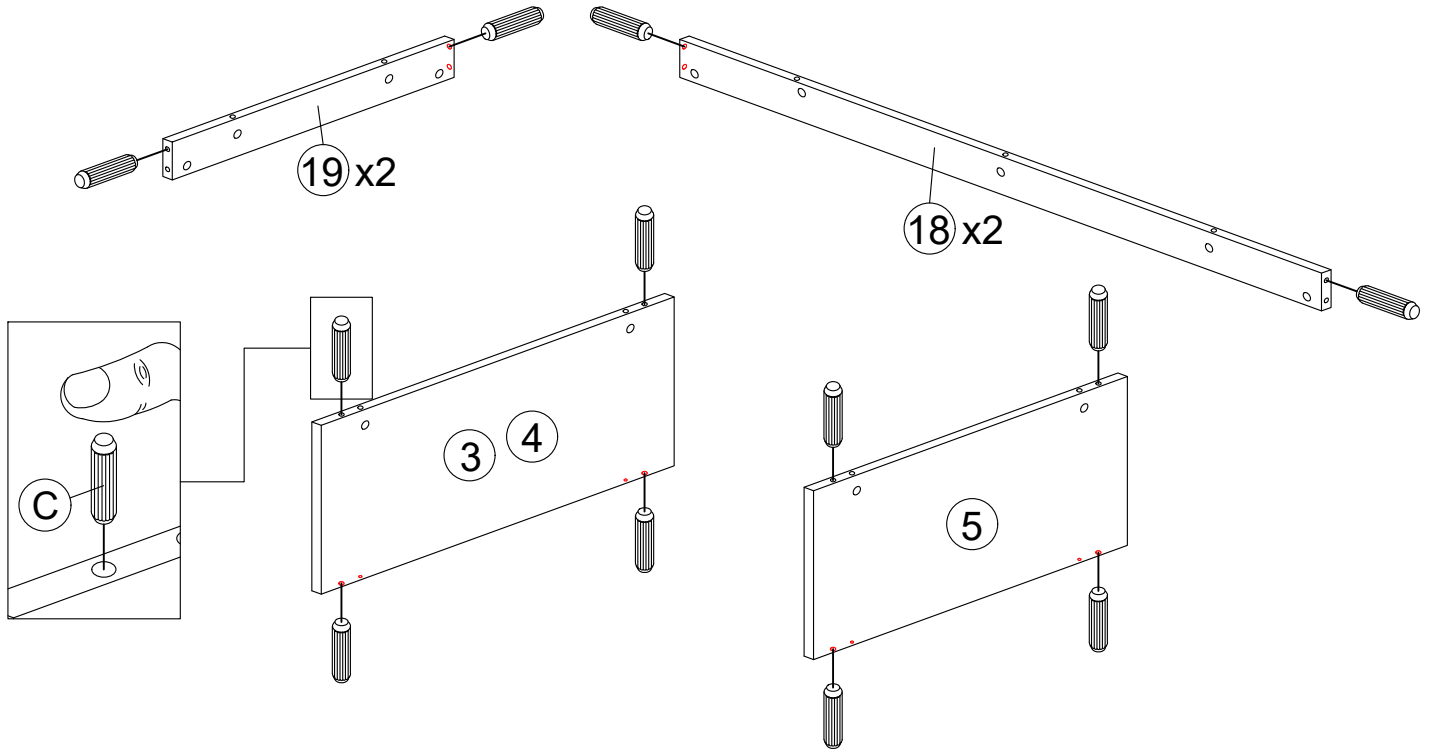
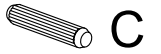
ASSEMBLY INSTRUCTION

Step 1



Required/Requis/Requerido

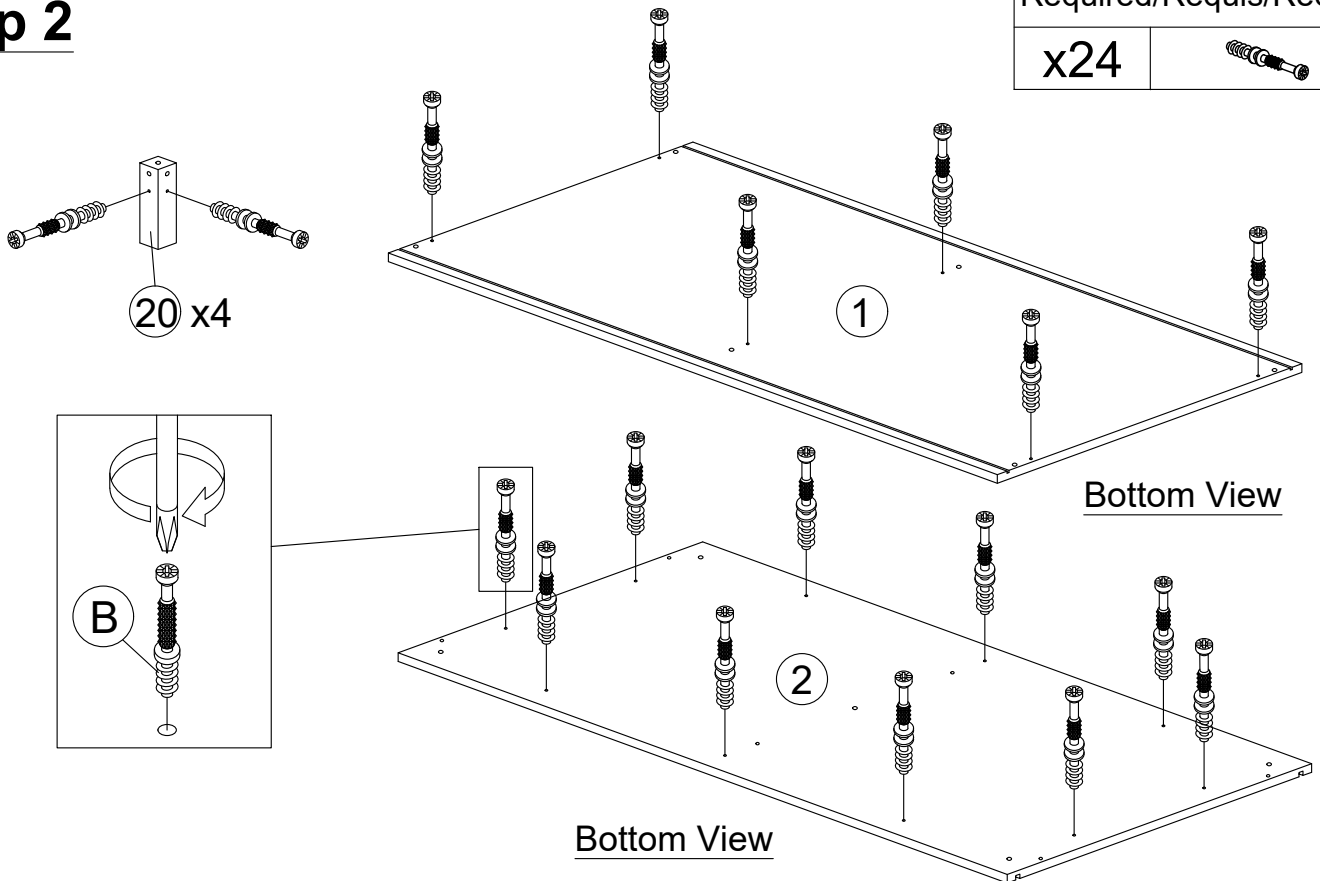
x20



Step 2

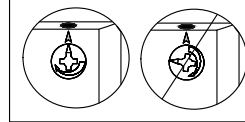
Required/Requis/Requerido

x24



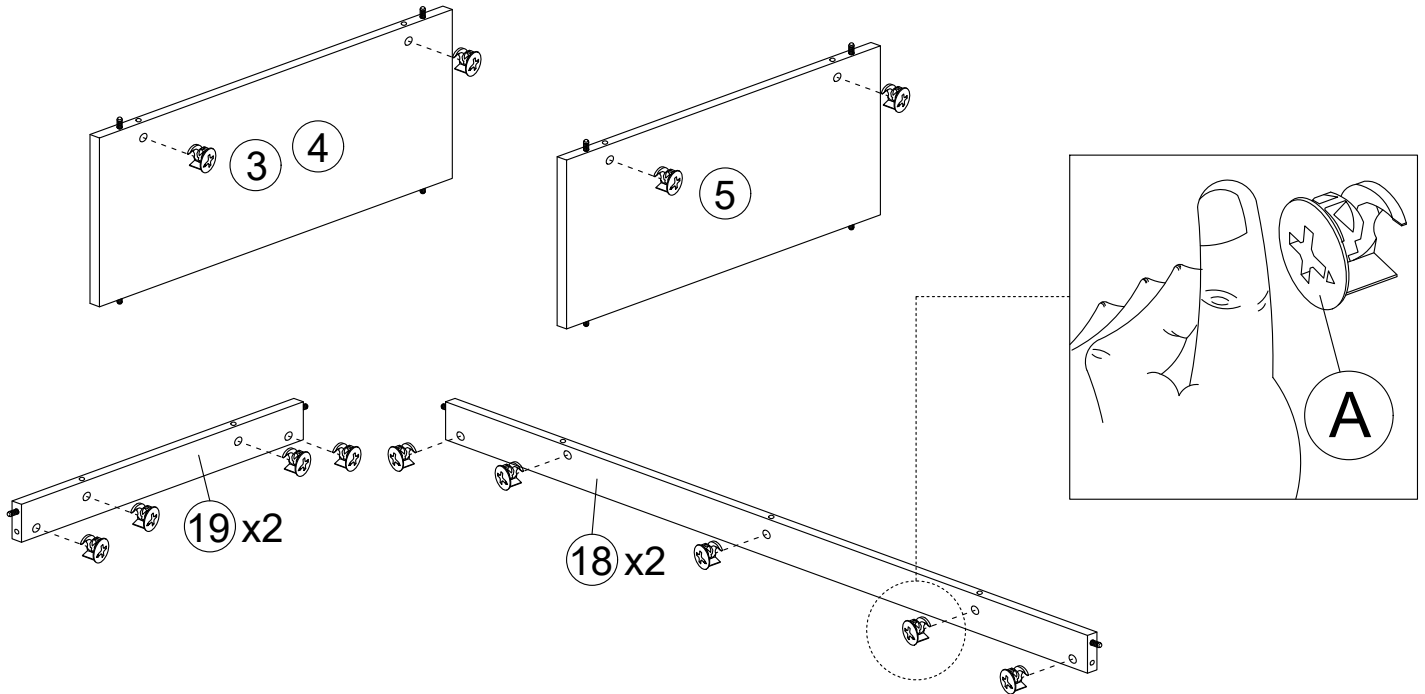
ASSEMBLY INSTRUCTION

Step 3

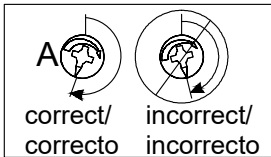
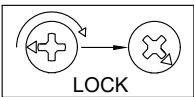


Required/Requis/Requerido

x24

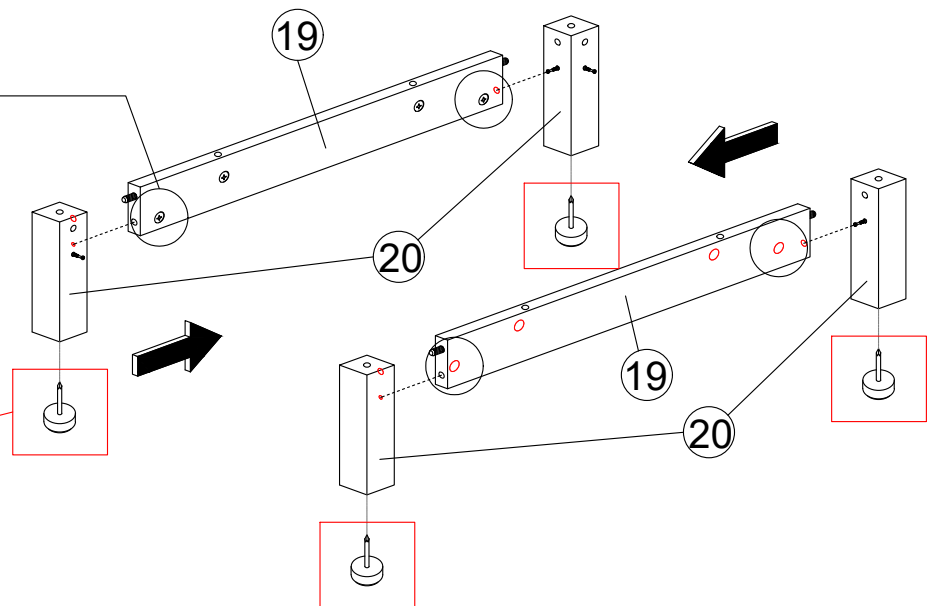
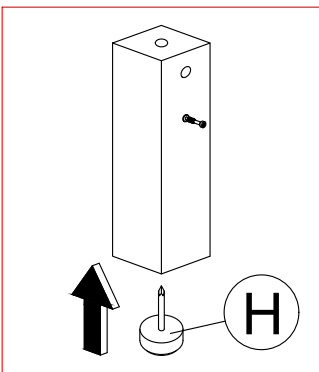
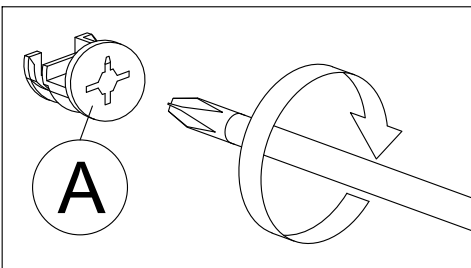


Step 4



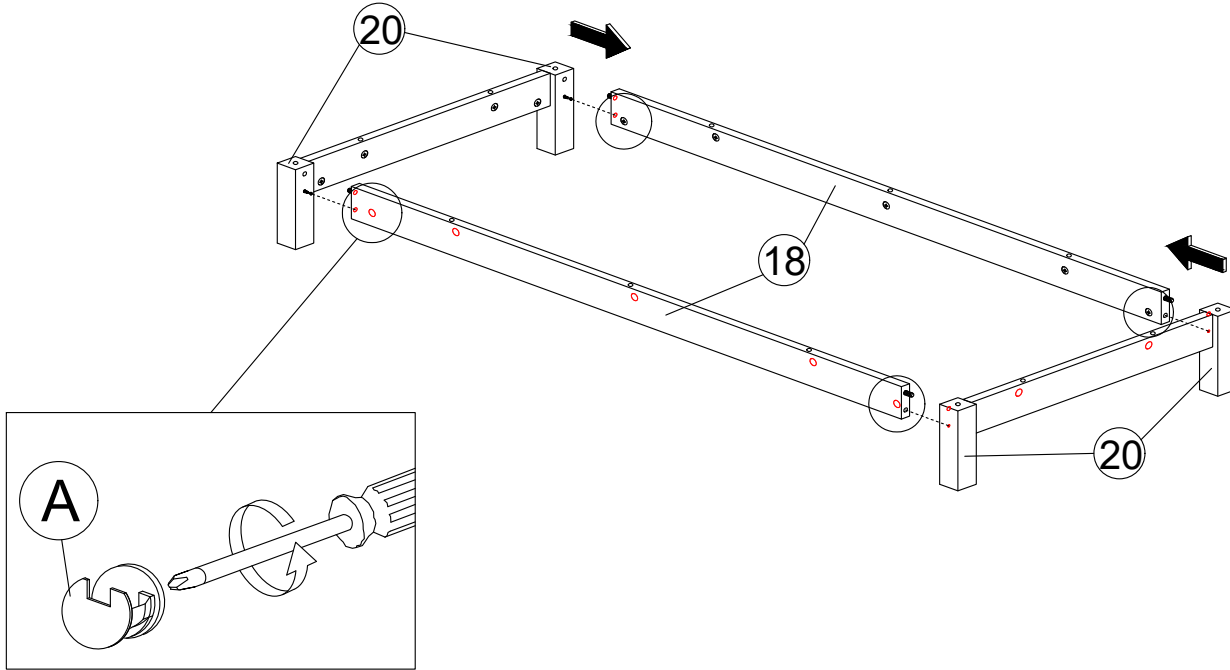
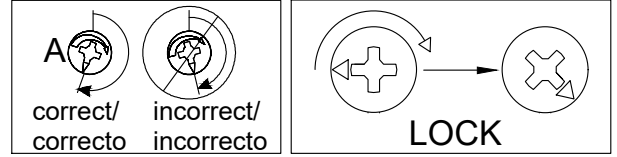
Required/Requis/Requerido

x4

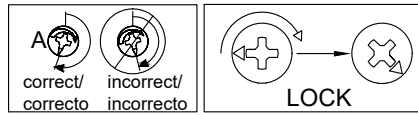


ASSEMBLY INSTRUCTION

Step 5

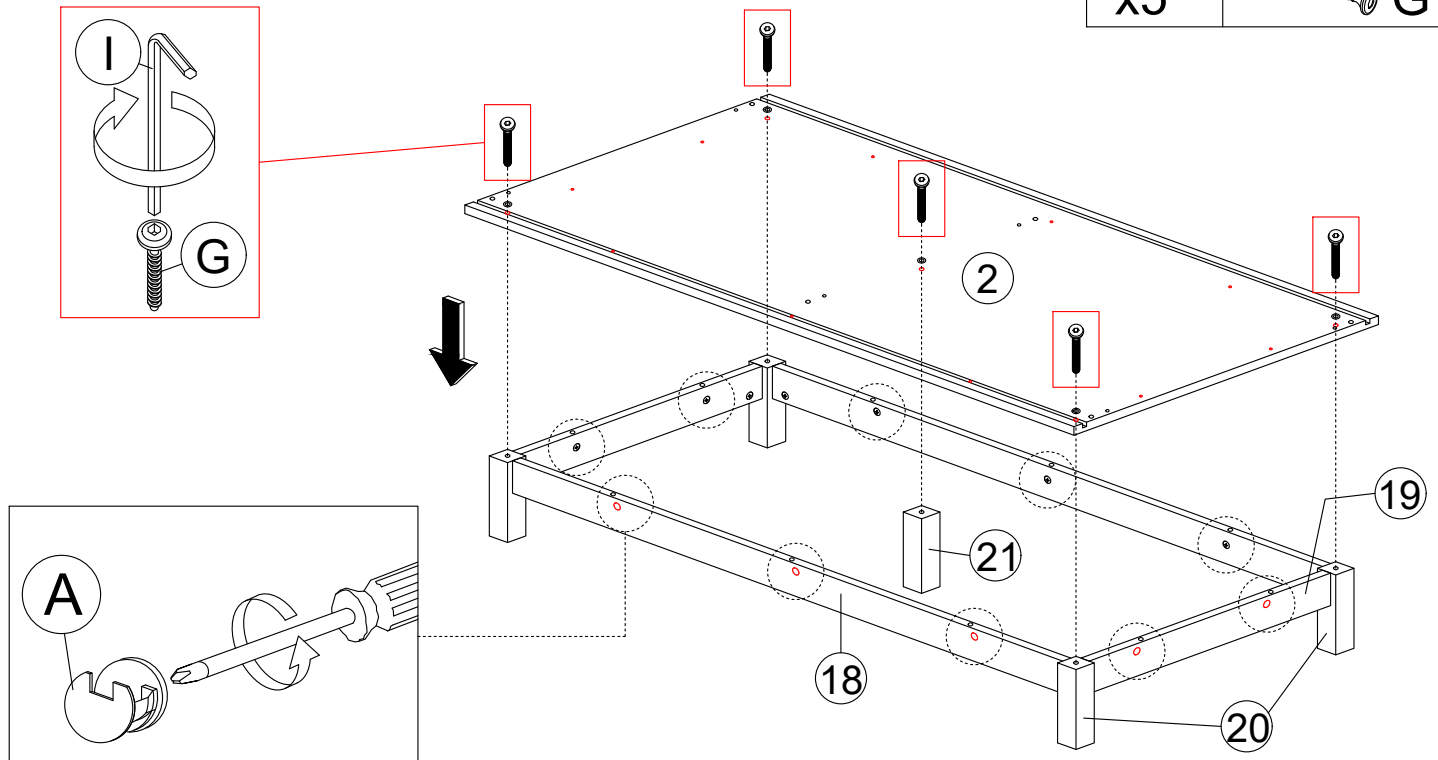


Step 6



Required/Requis/Requerido

x1	
x5	



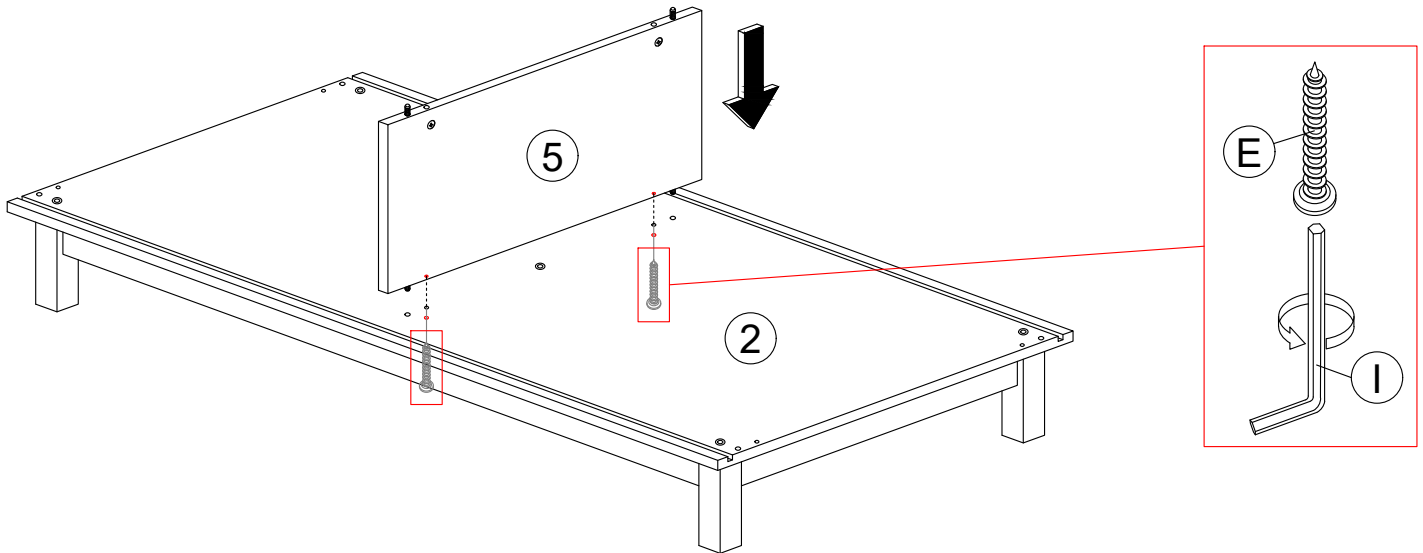
ASSEMBLY INSTRUCTION

Step 7

Required/Requis/Requerido

x1  I

x2  E

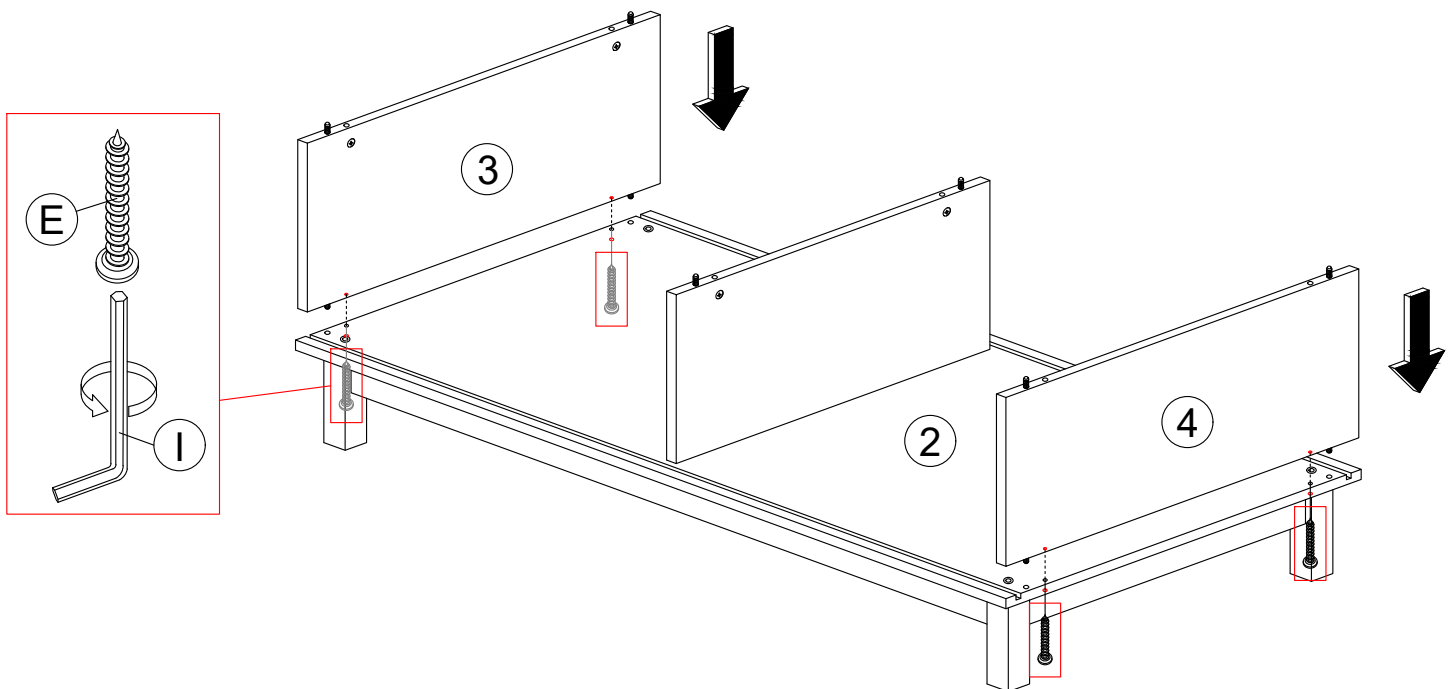


Step 8

Required/Requis/Requerido

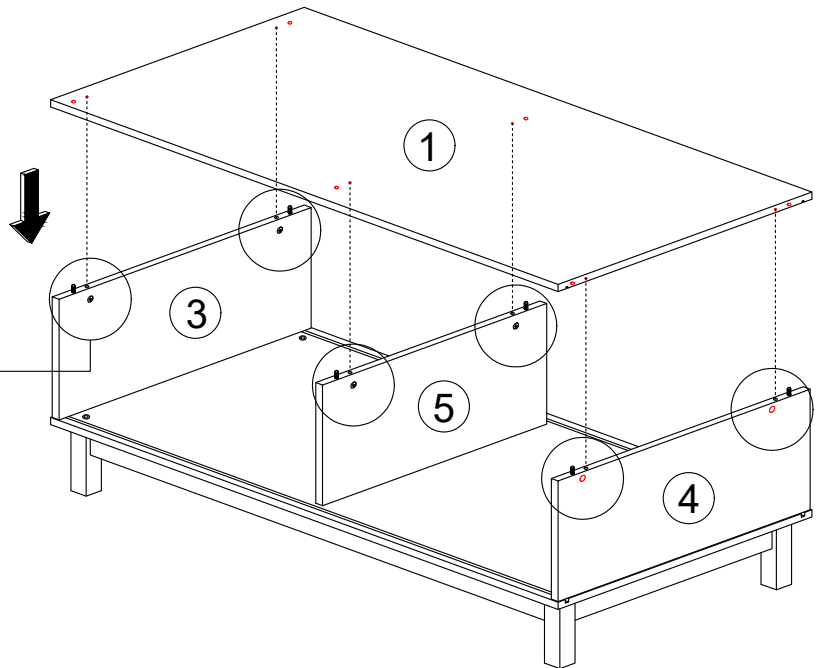
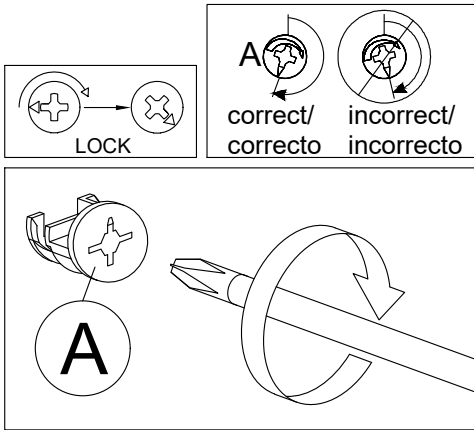
x1  I

x4  E



ASSEMBLY INSTRUCTION

Step 9



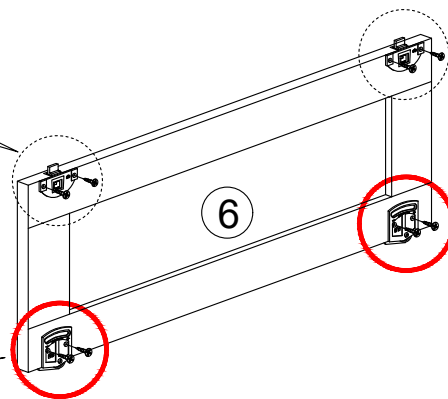
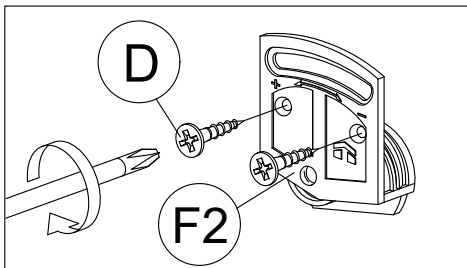
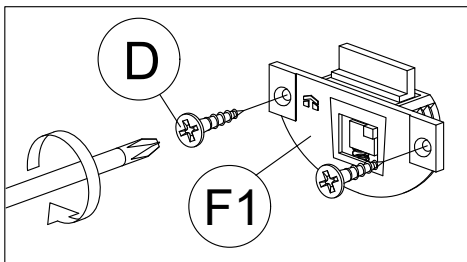
Step 10

Required/Requis/Requerido

x16  D

x4  F1

x4  F2

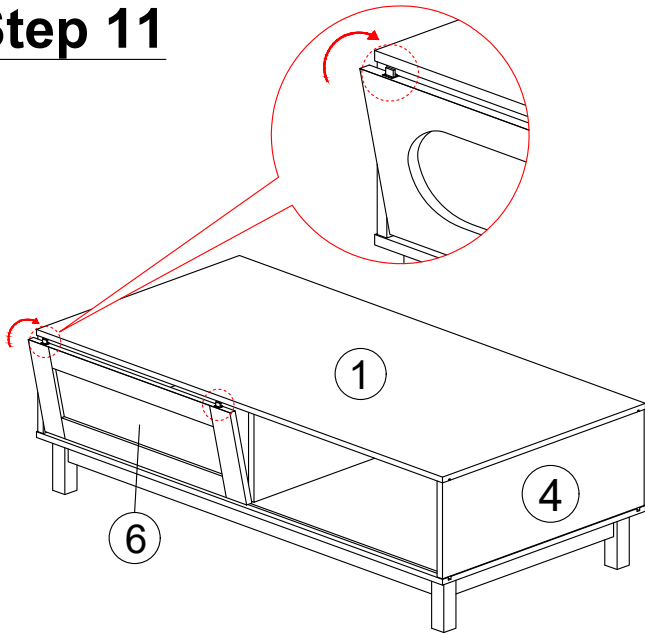


Back View

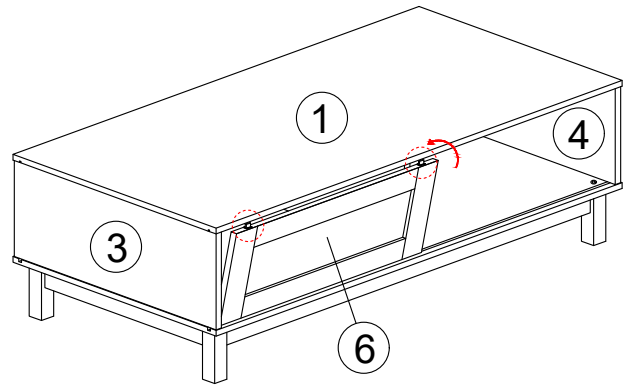
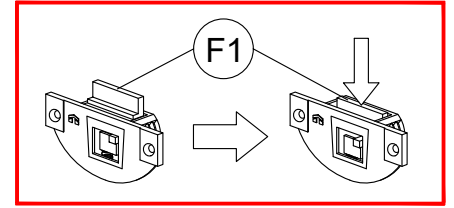
x2

ASSEMBLY INSTRUCTION

Step 11



Front View



Back View

Completed

