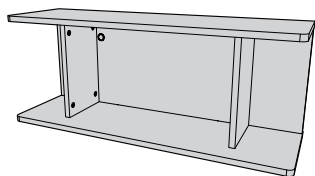


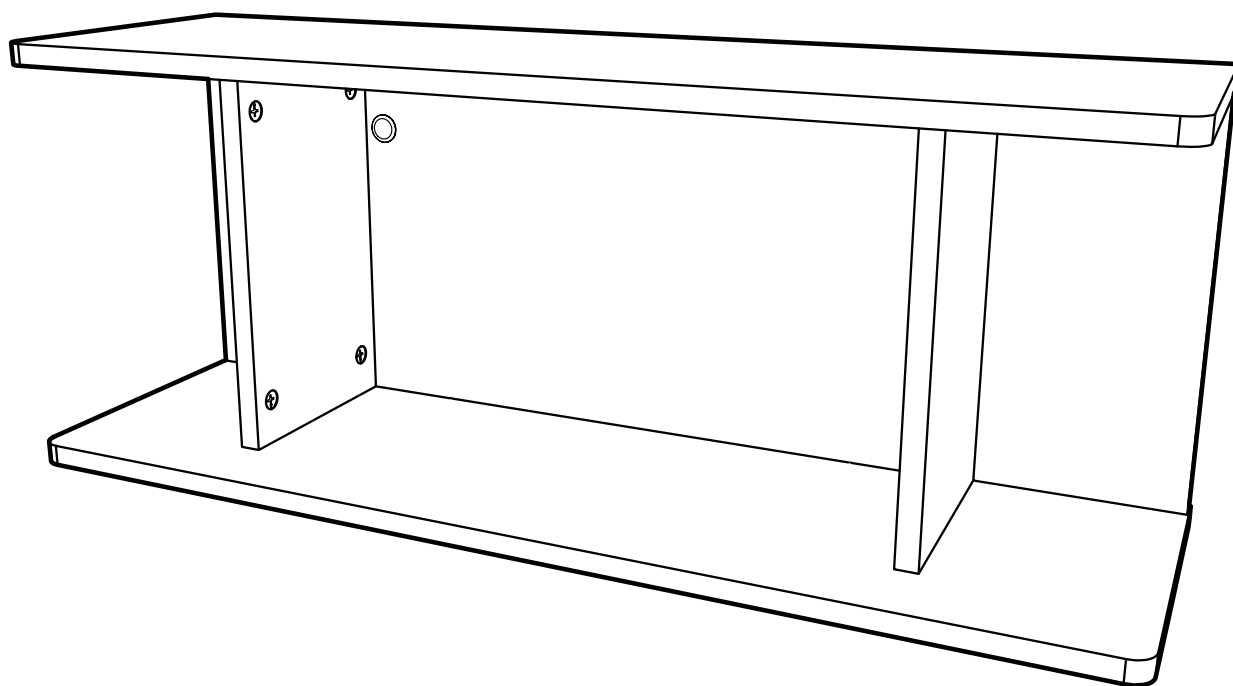
# WELL

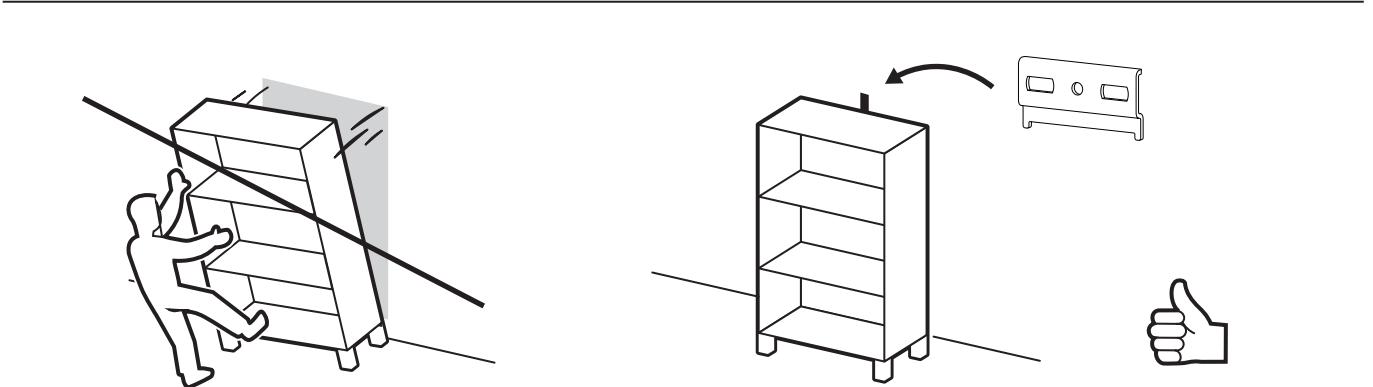
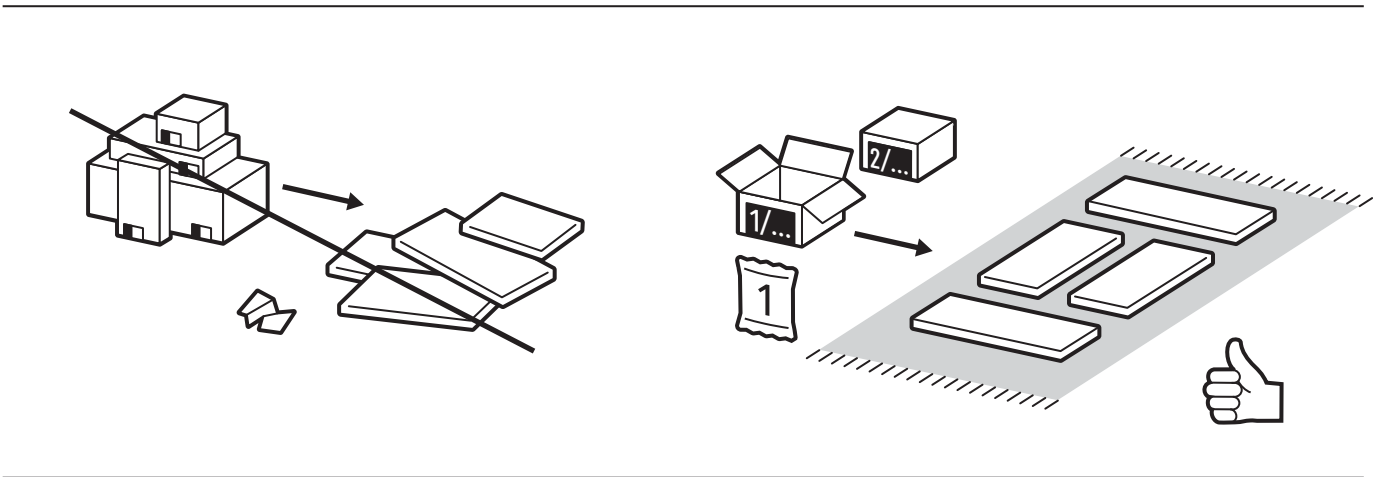
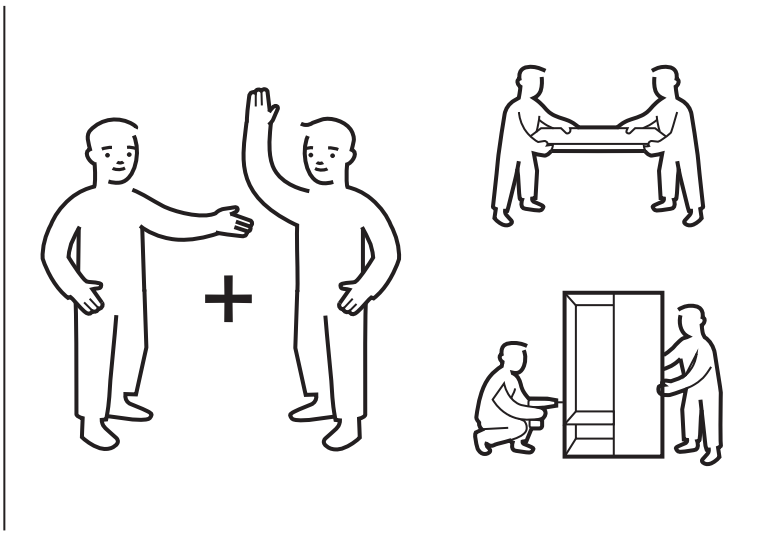
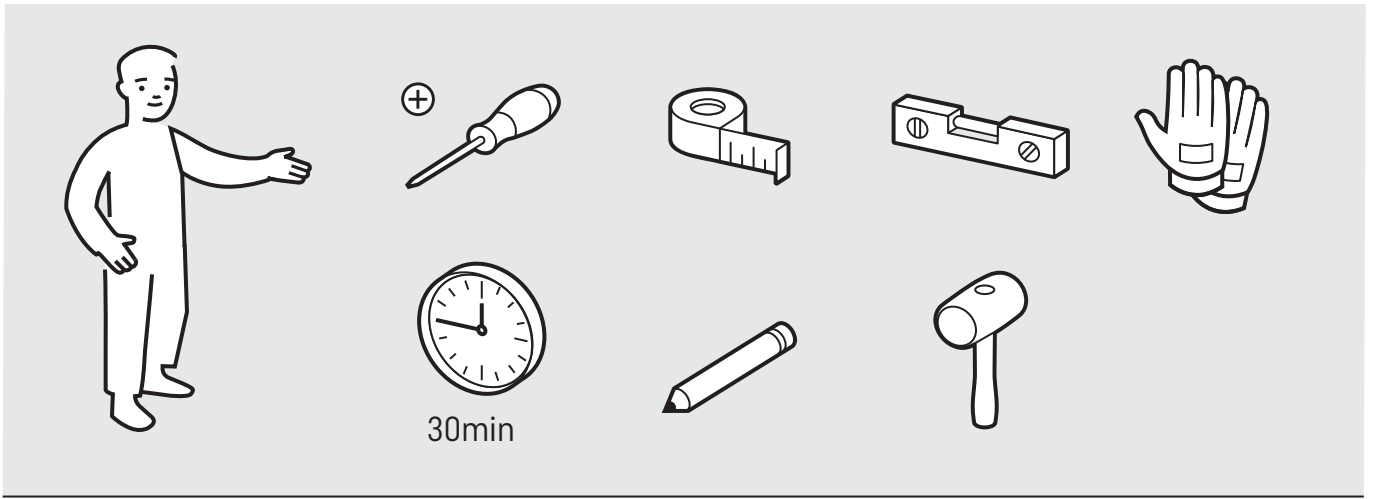


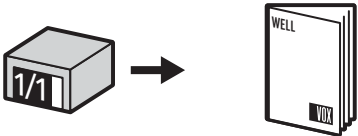
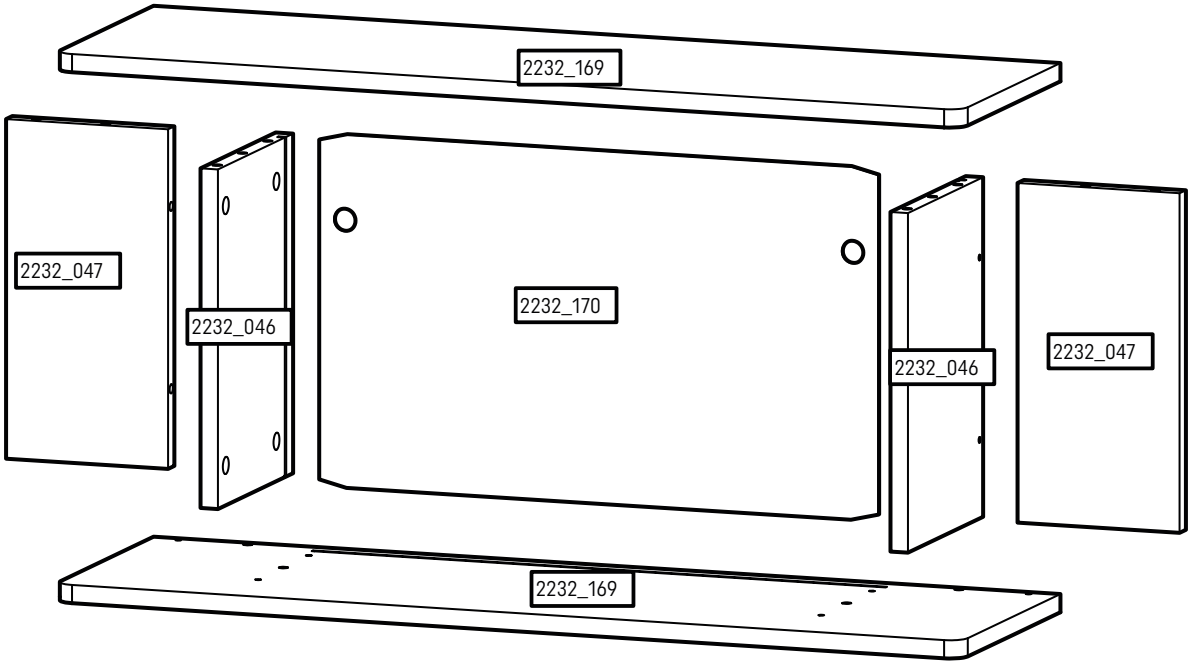
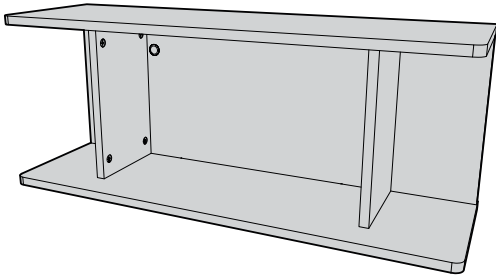
4024256\_001





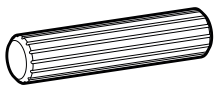
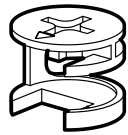
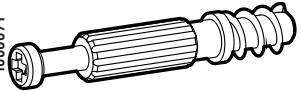
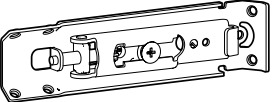

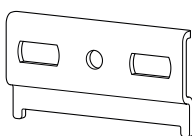

83,5x25x33 cm  
33x10x13"

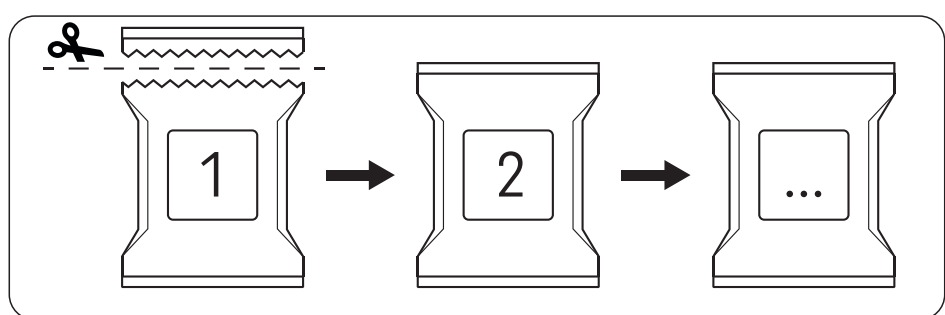




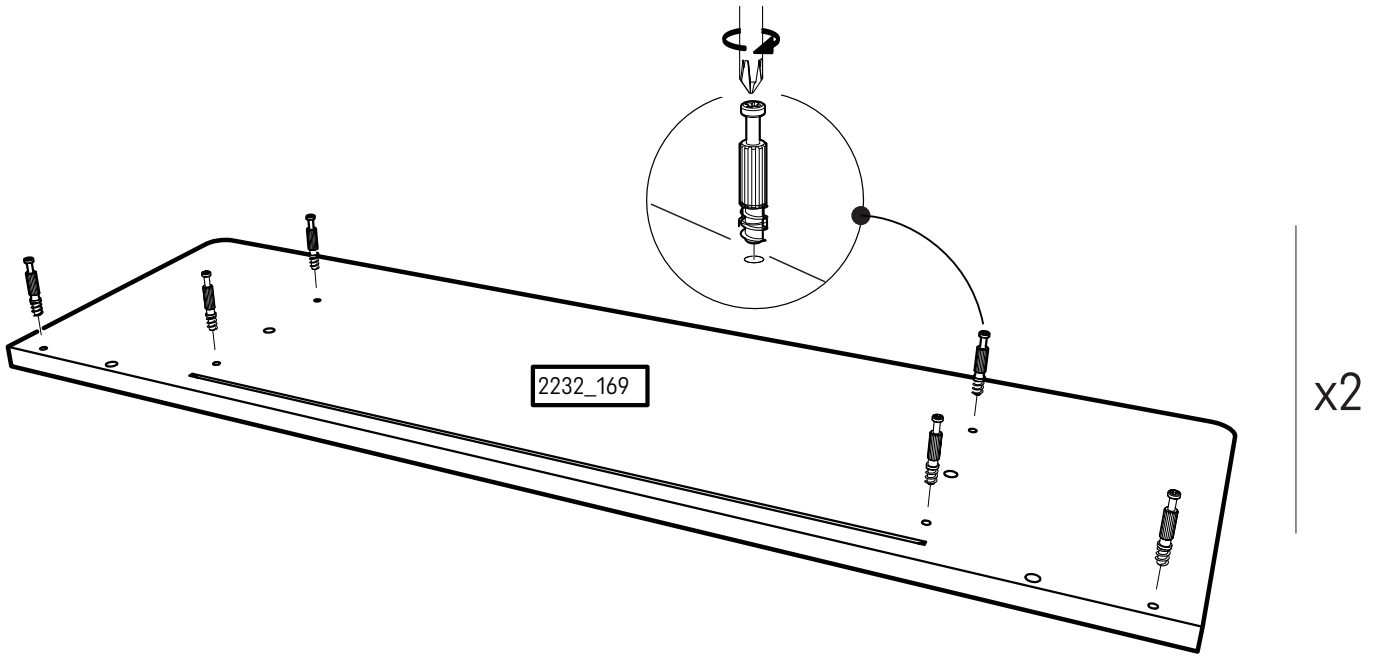
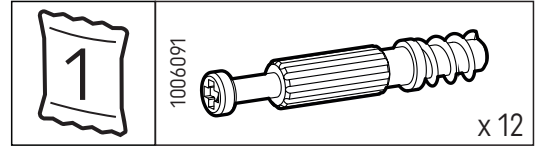


- 
2232\_169 x2
2232\_047 x2  
2232\_046 x2
2232\_170 x1

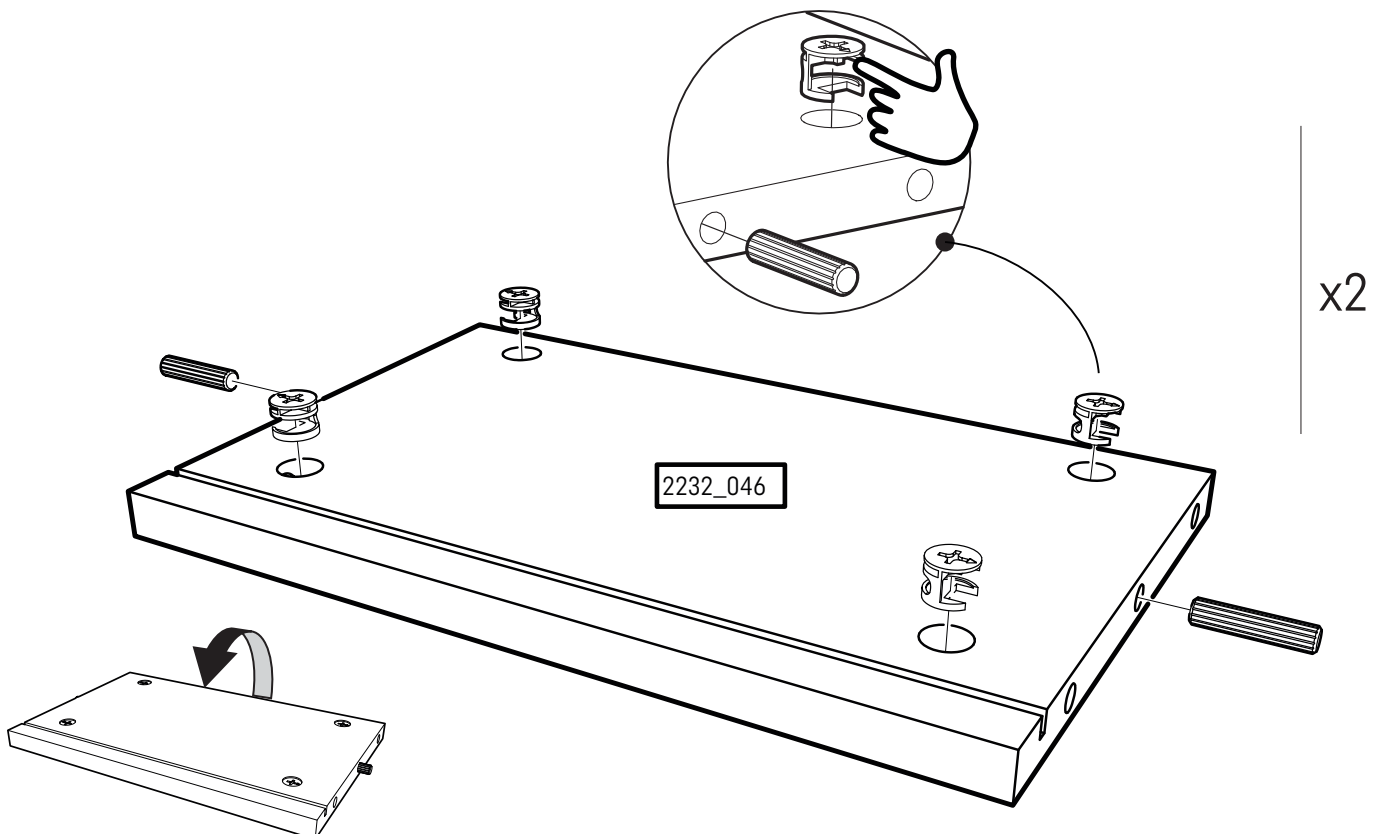
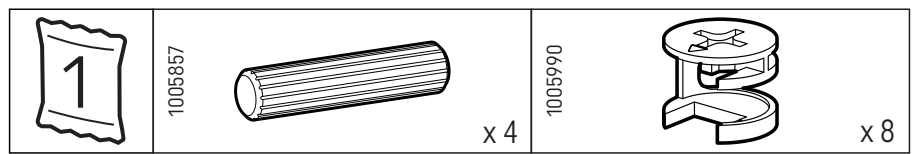
1006012	 x 8	1005957	 x 8	1005990	 x 16	1006091	 x 16
1125431	 x 2	1125516	 x 2	1125432	 x 2	1006022	 x 8



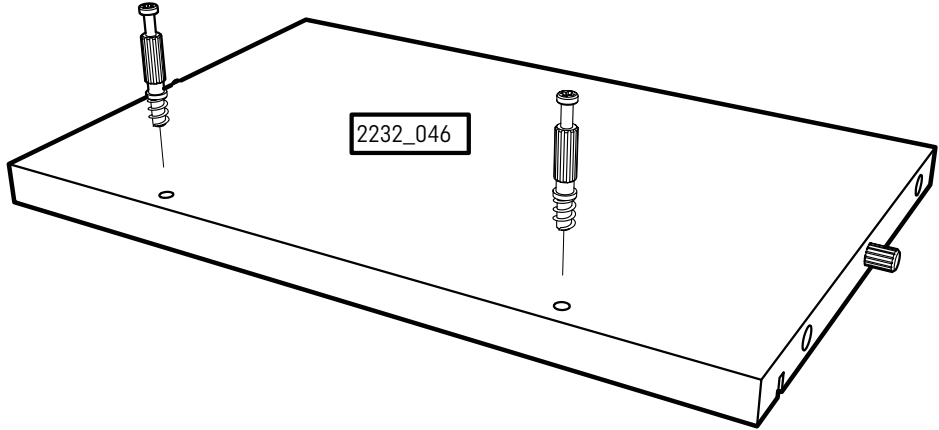
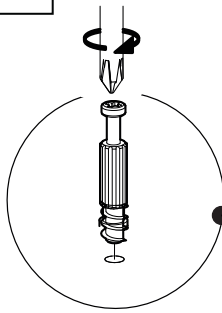
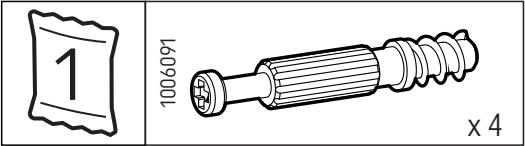
1



2

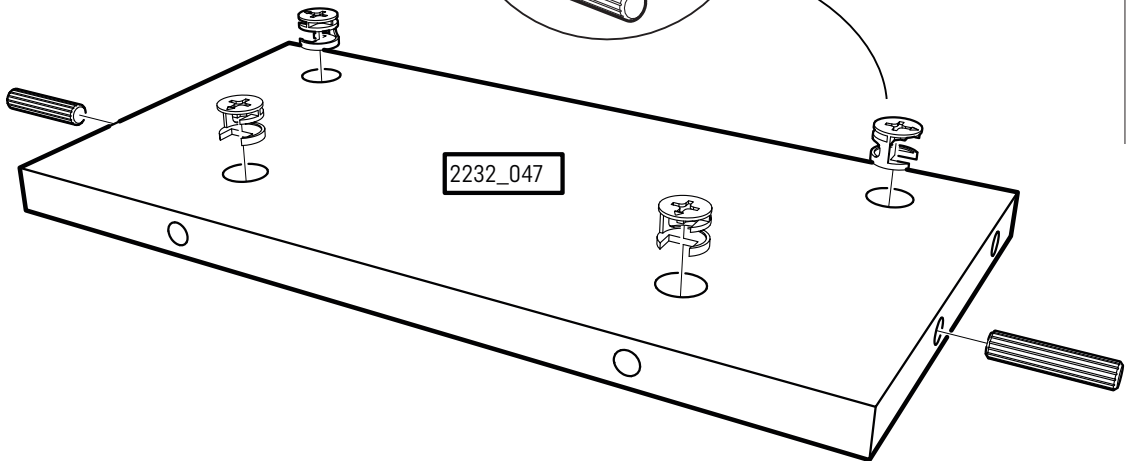
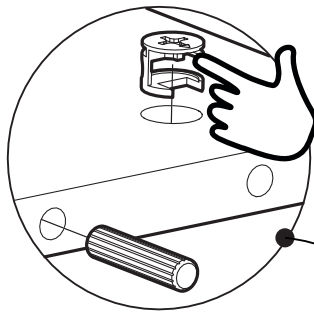
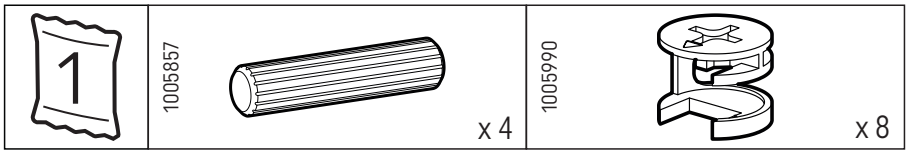


3



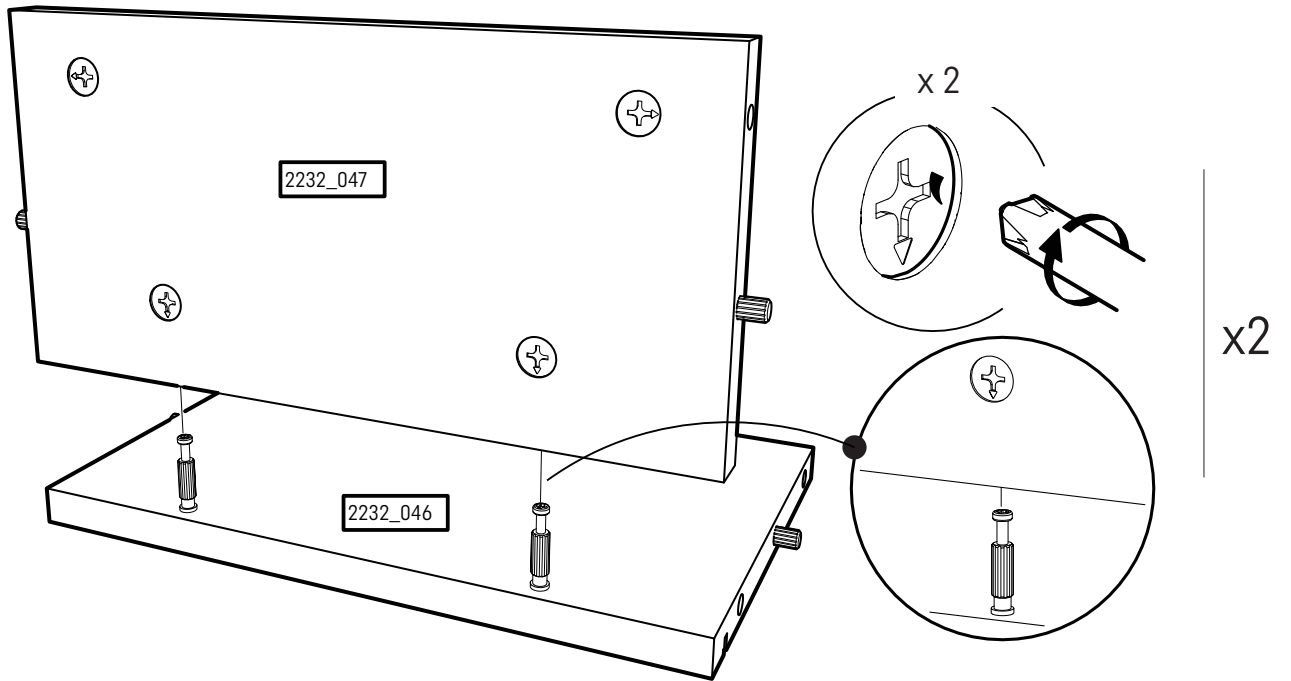
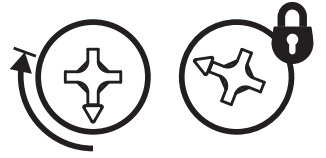
x2

4

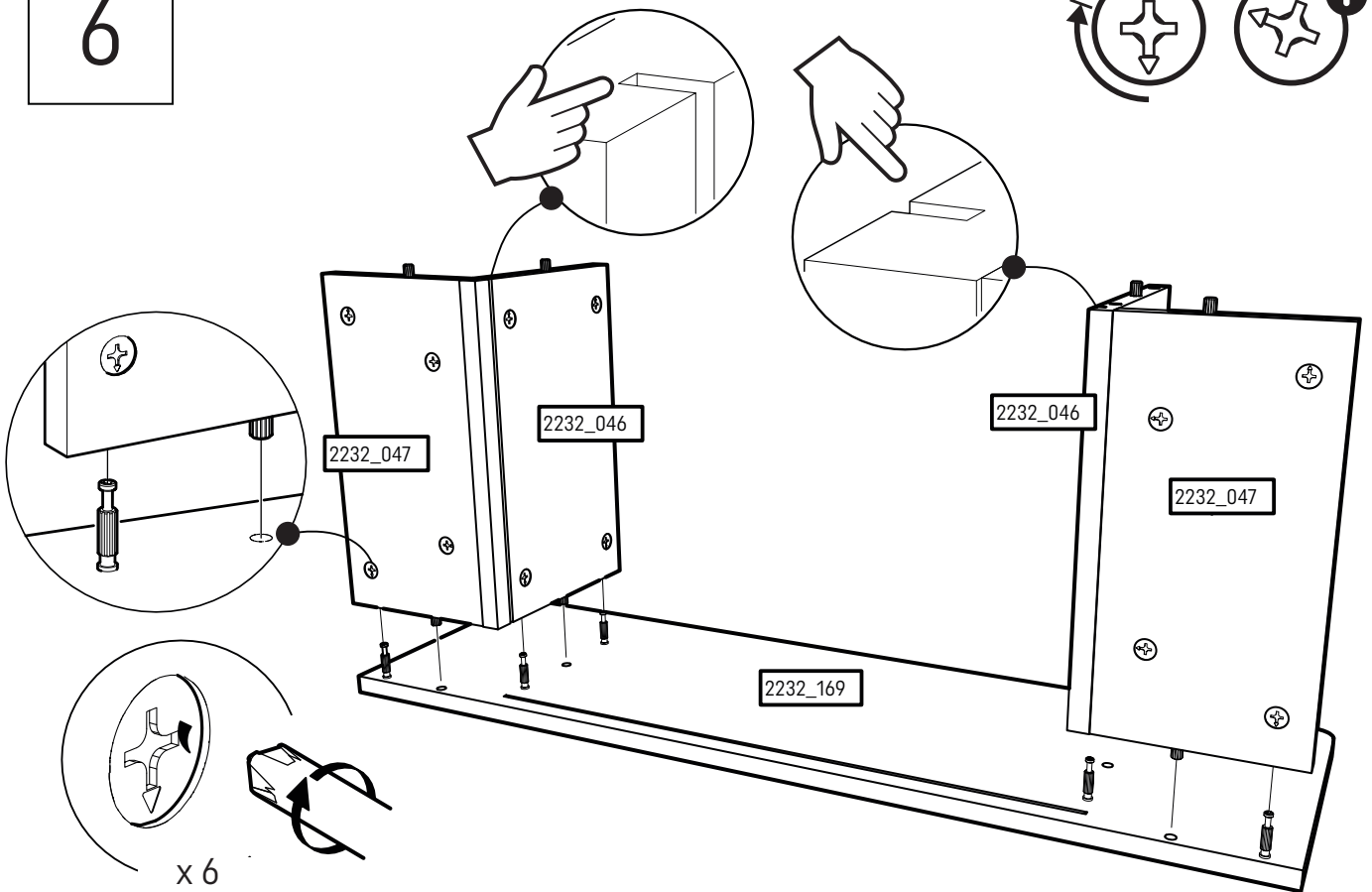


x2

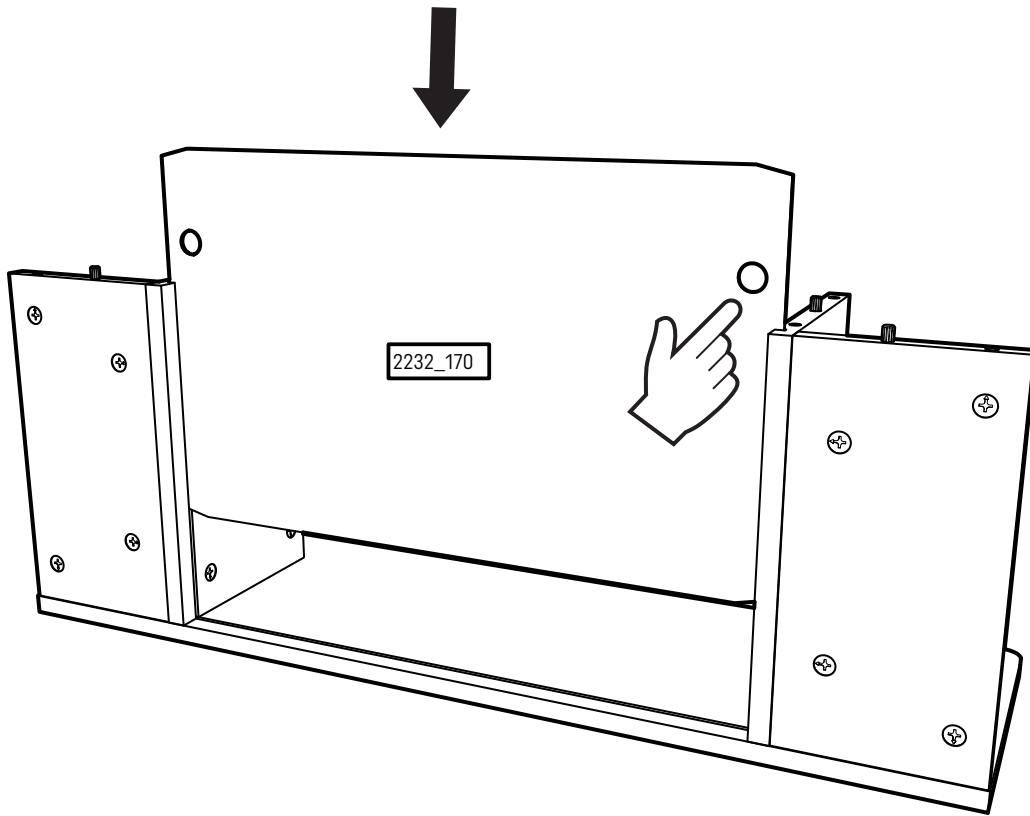
5



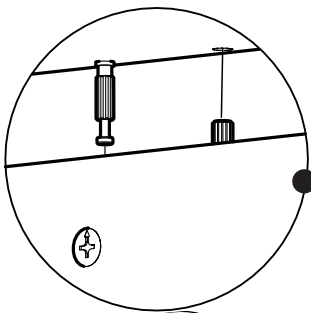
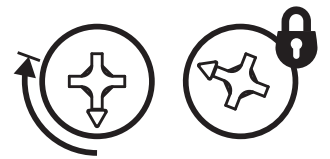
6



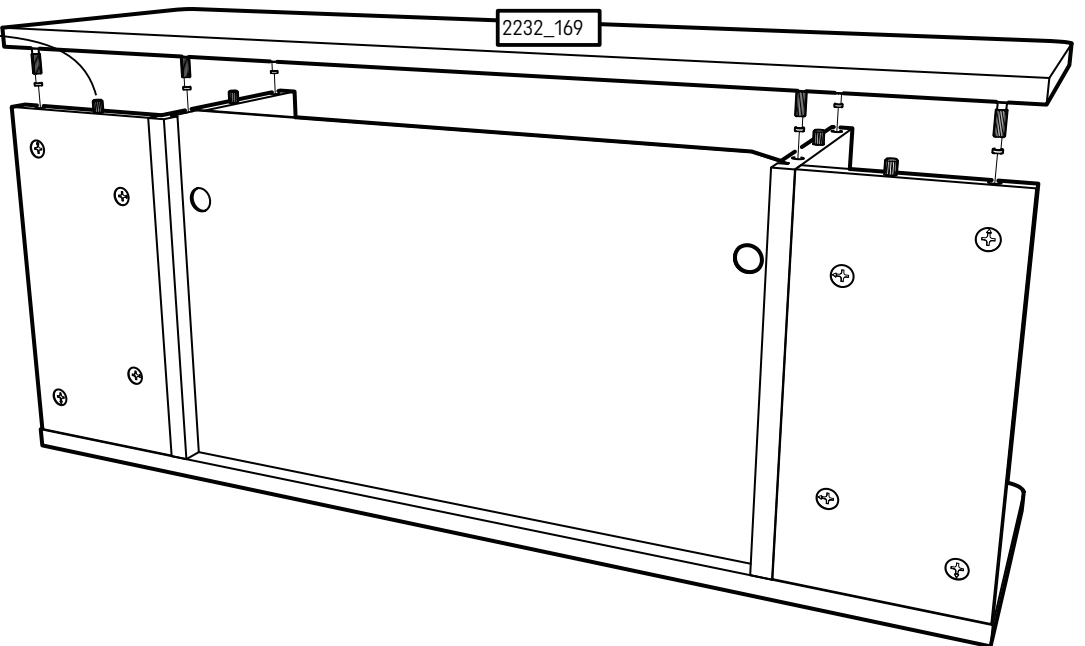
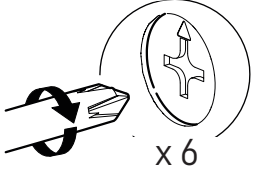
7



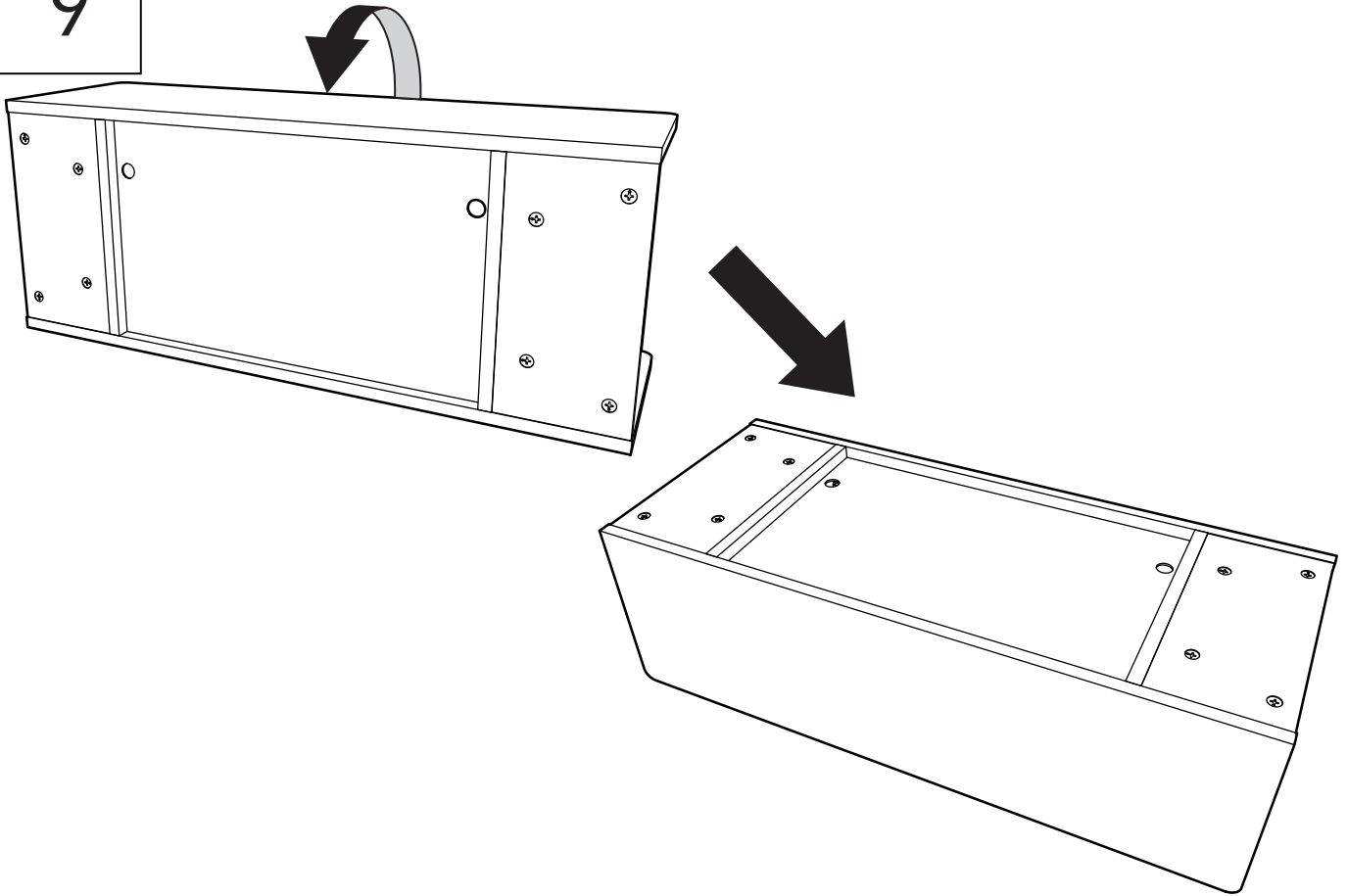
8



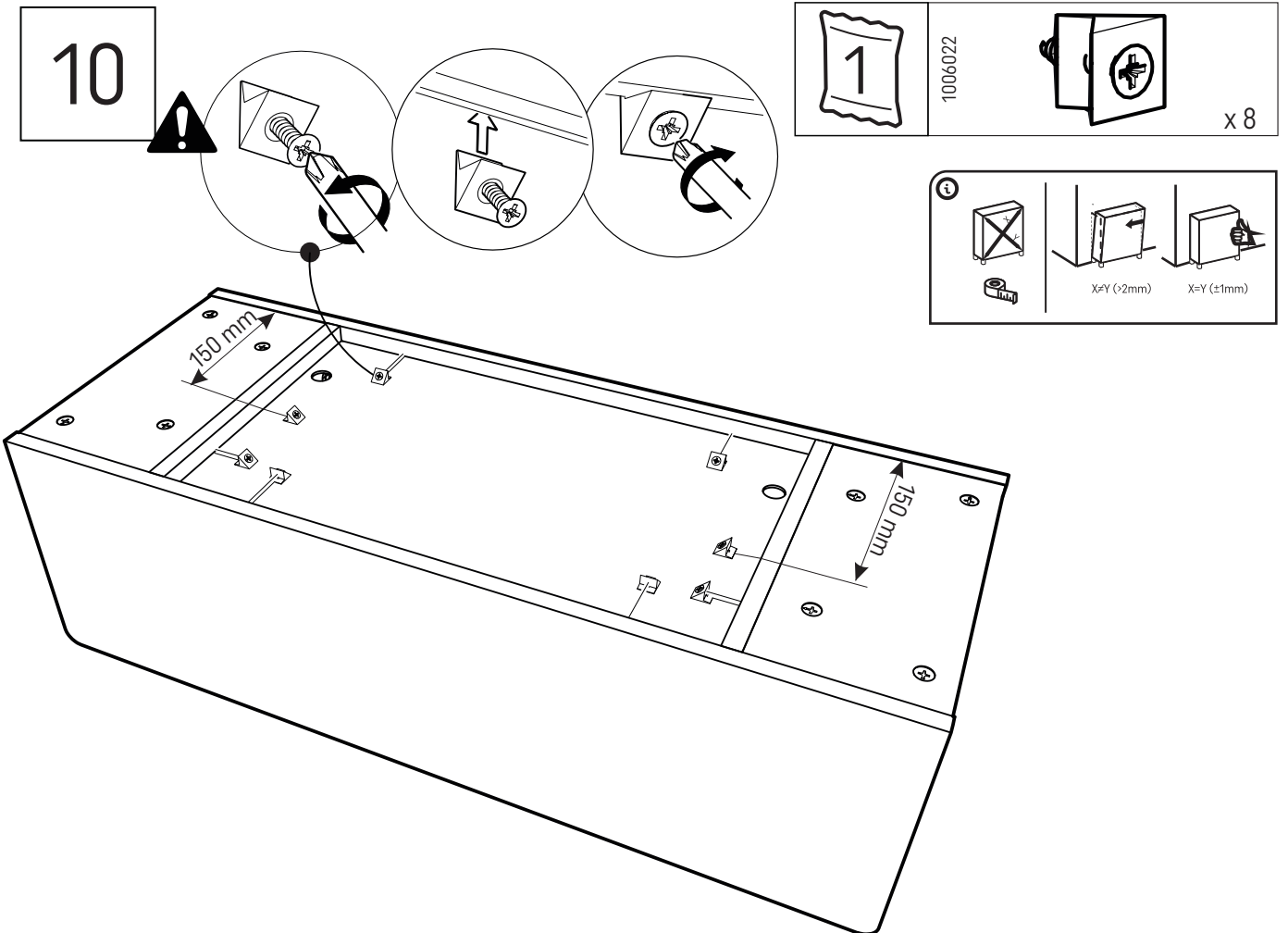
2232\_169





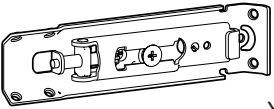
9

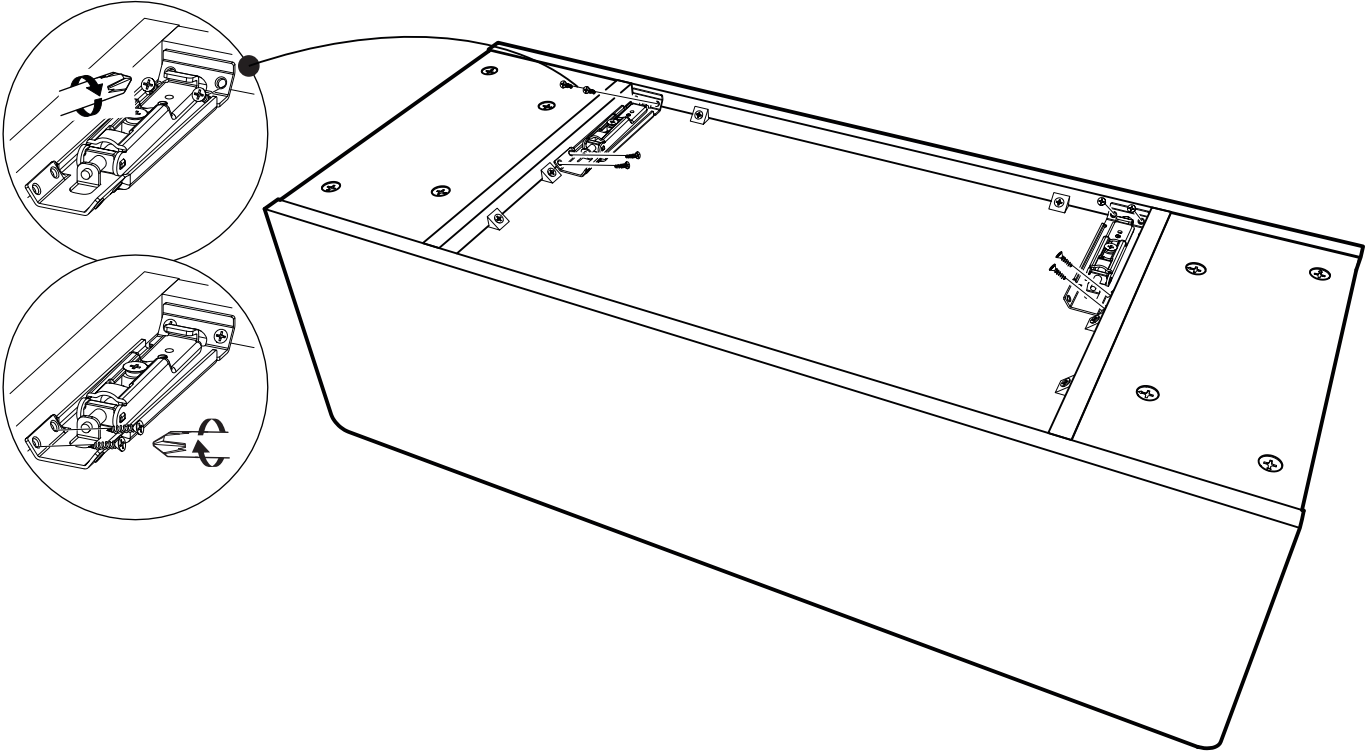


10


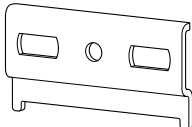


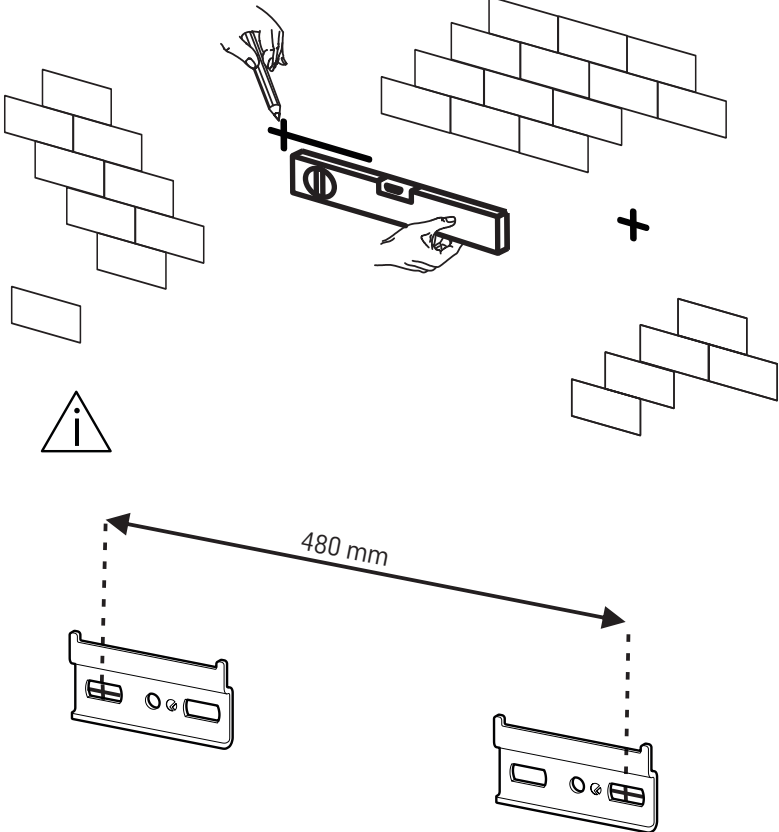
11

	1006012		x 8	1125431		x 2
-----------------------------------------------------------------------------------	---------	-----------------------------------------------------------------------------------	-----	---------	-------------------------------------------------------------------------------------	-----

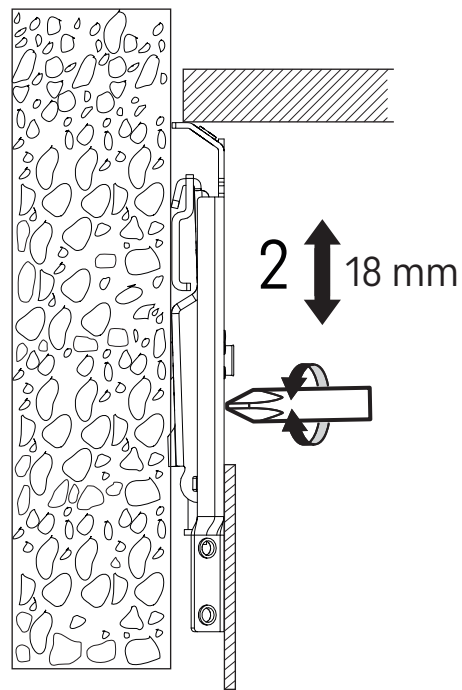
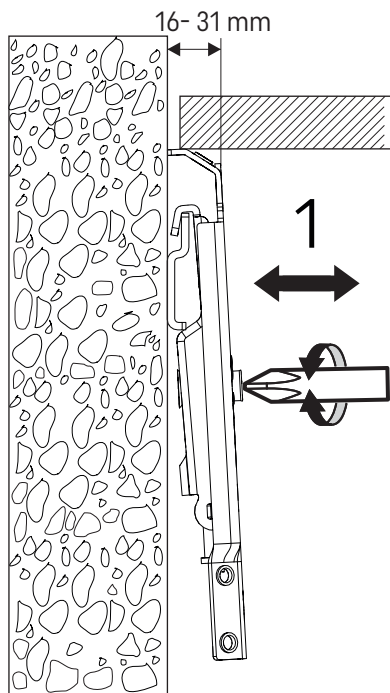
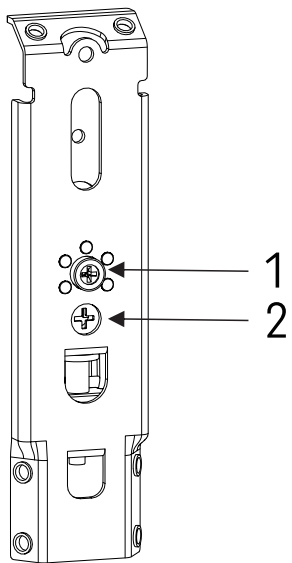
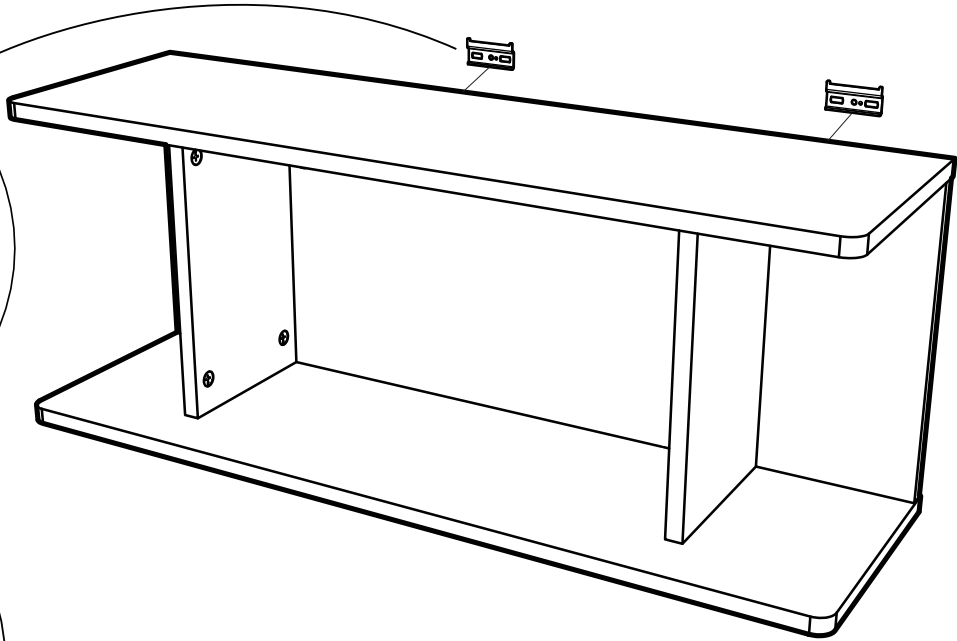
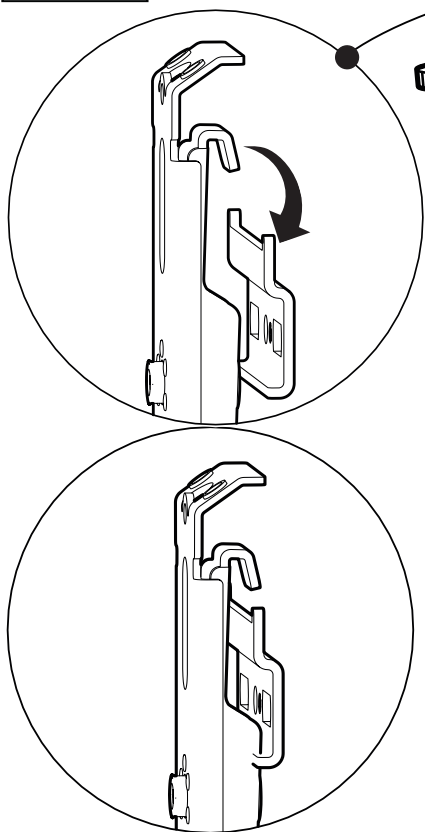


12



	1125432		x 2
--------------------------------------------------------------------------------------	---------	---------------------------------------------------------------------------------------	-----



13



14

 <p>2</p>	<p>1125516</p>	 <p>x 2</p>
---------------------------------------------------------------------------------------------	----------------	------------------------------------------------------------------------------------------------

