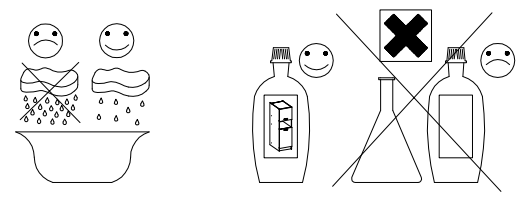
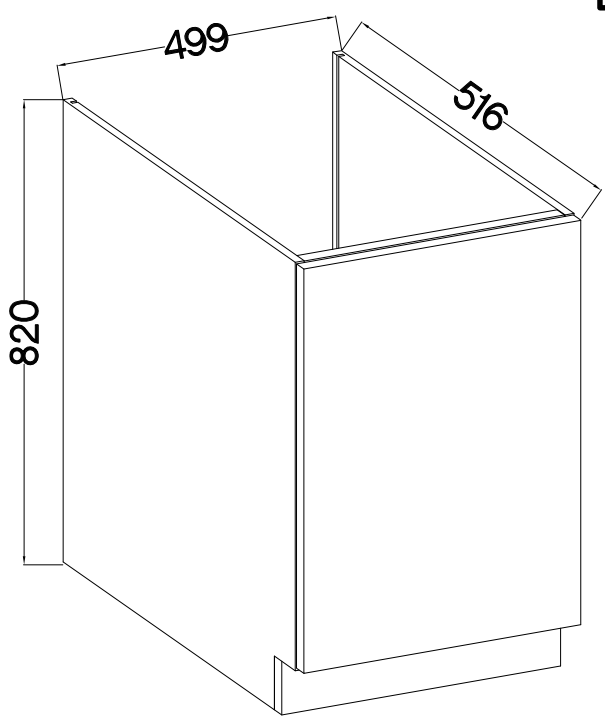
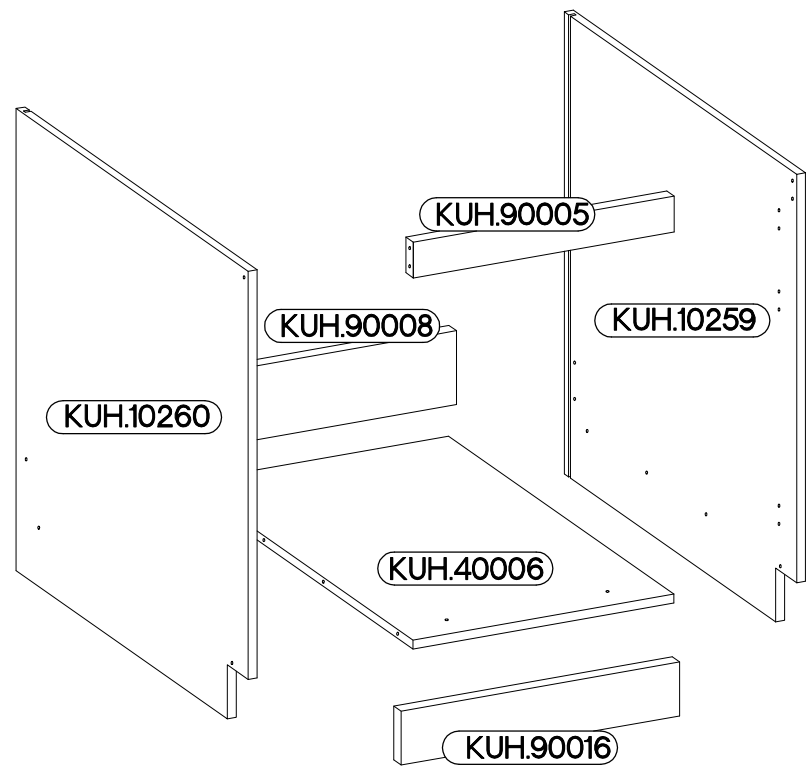
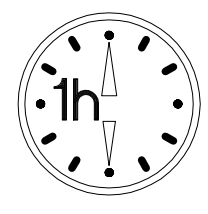


50 ZL 1F BB

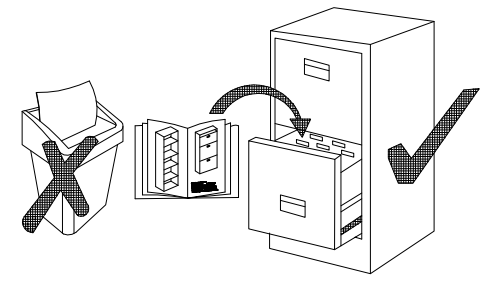


KUH.40006



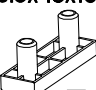
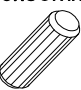
$\pm 8 \times 30 \text{mm}$	$6,4 \times 50 \text{mm}$
A	B
8	8

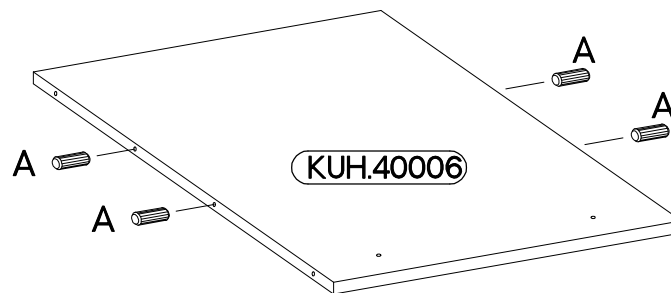
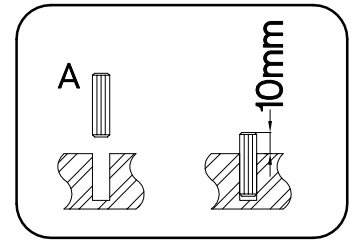
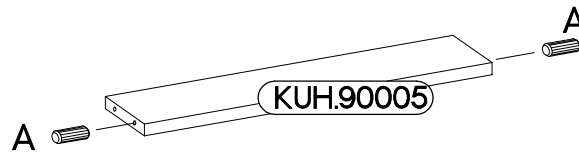
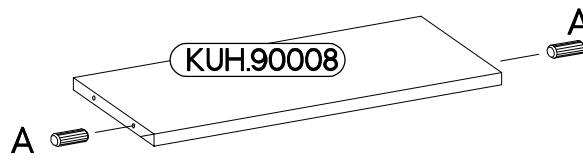
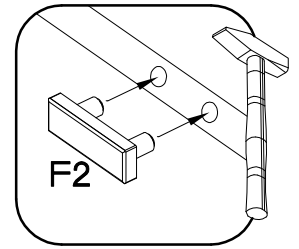
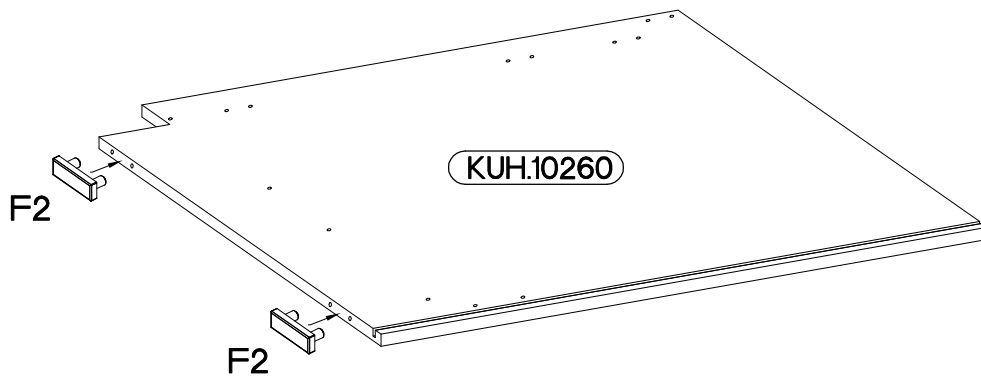
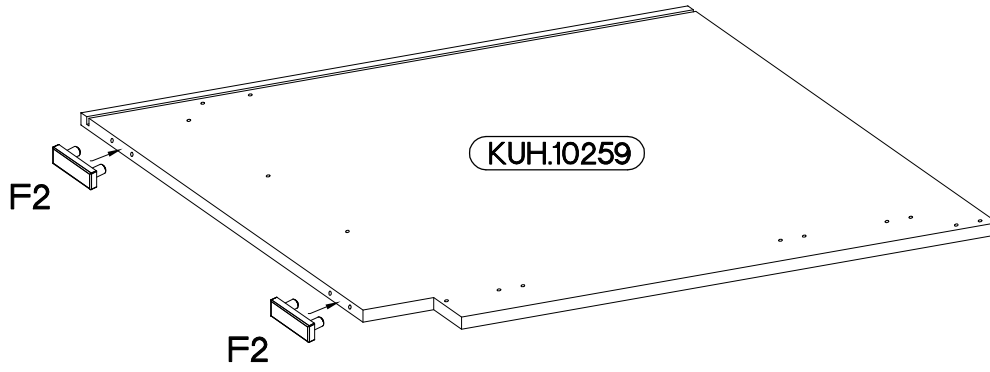
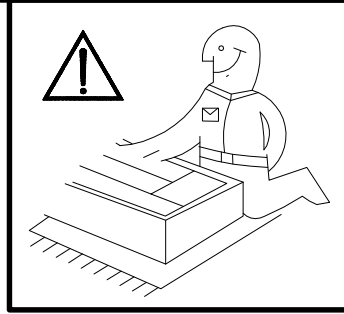
E1	E9	F2	HG	O	P4	P5
8	2	4	2	1	2	4






ISM-KUH-01126

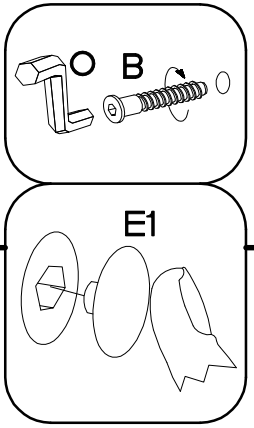
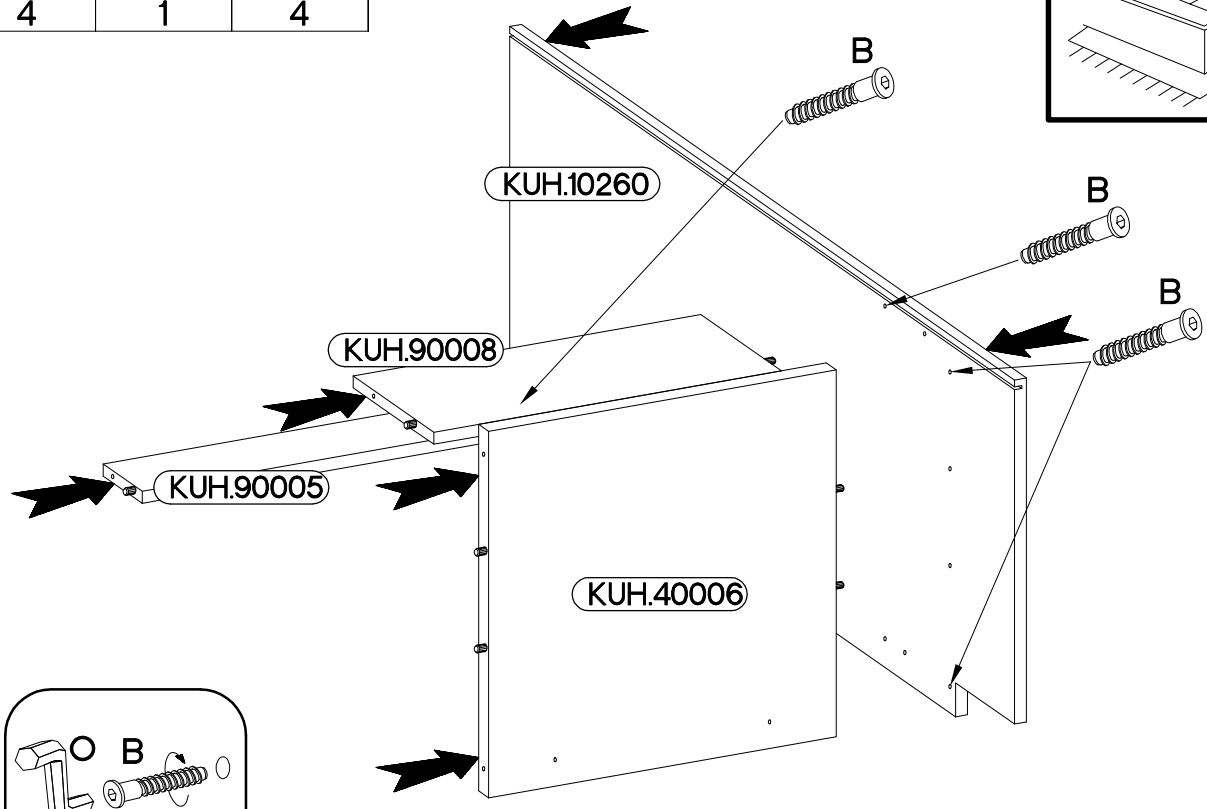
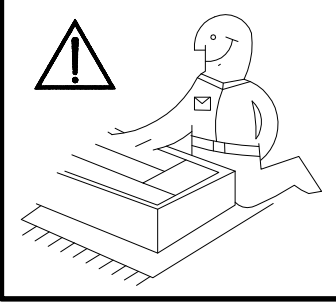
1

6.5x48x16  F2 4	+8x30mm  A 8
--	---

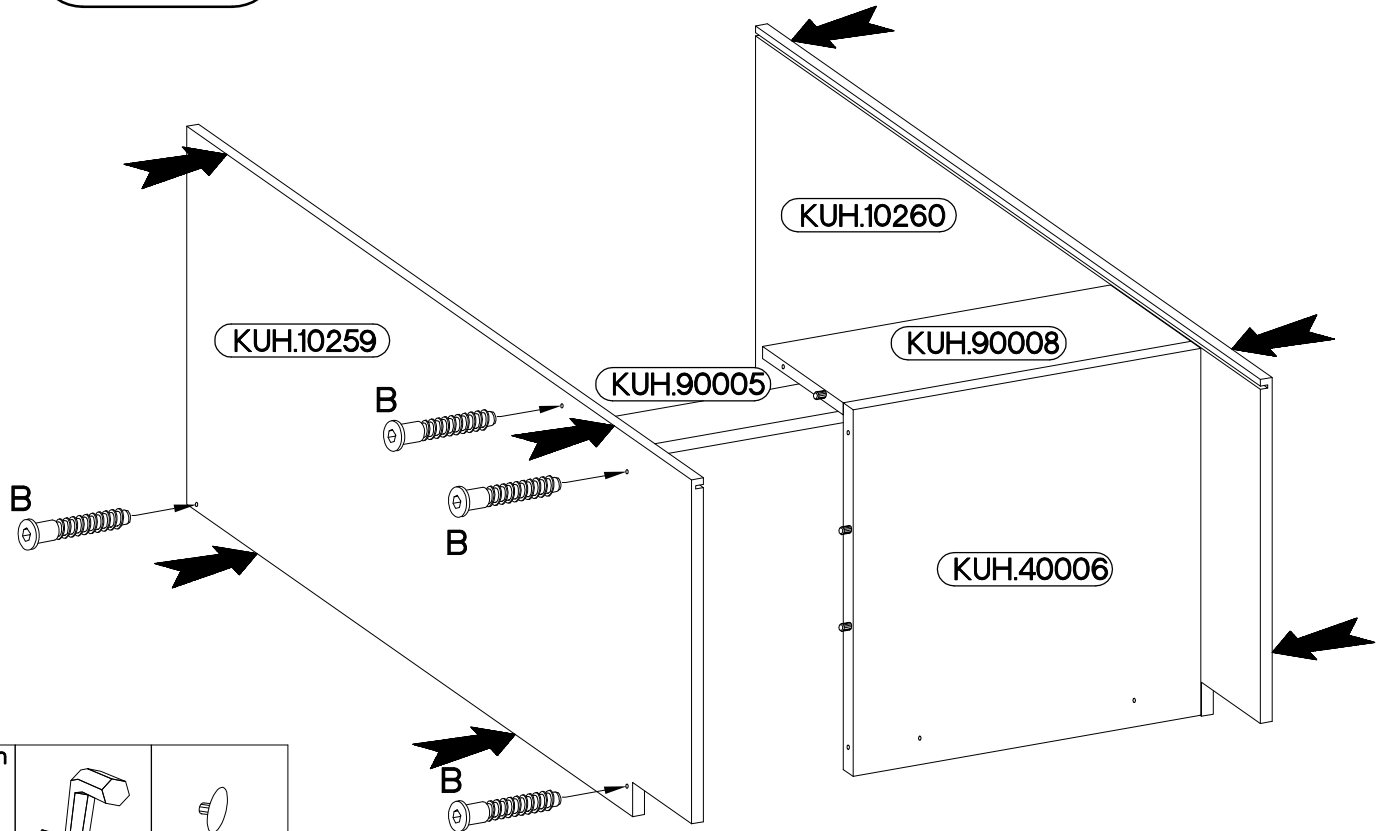


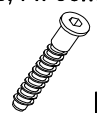
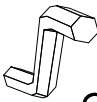

2

6,4 x 50mm		
		
B	O	E1
4	1	4



3



6,4 x 50mm		
		
B	O	E1
4	1	4

4

4.0x45mm



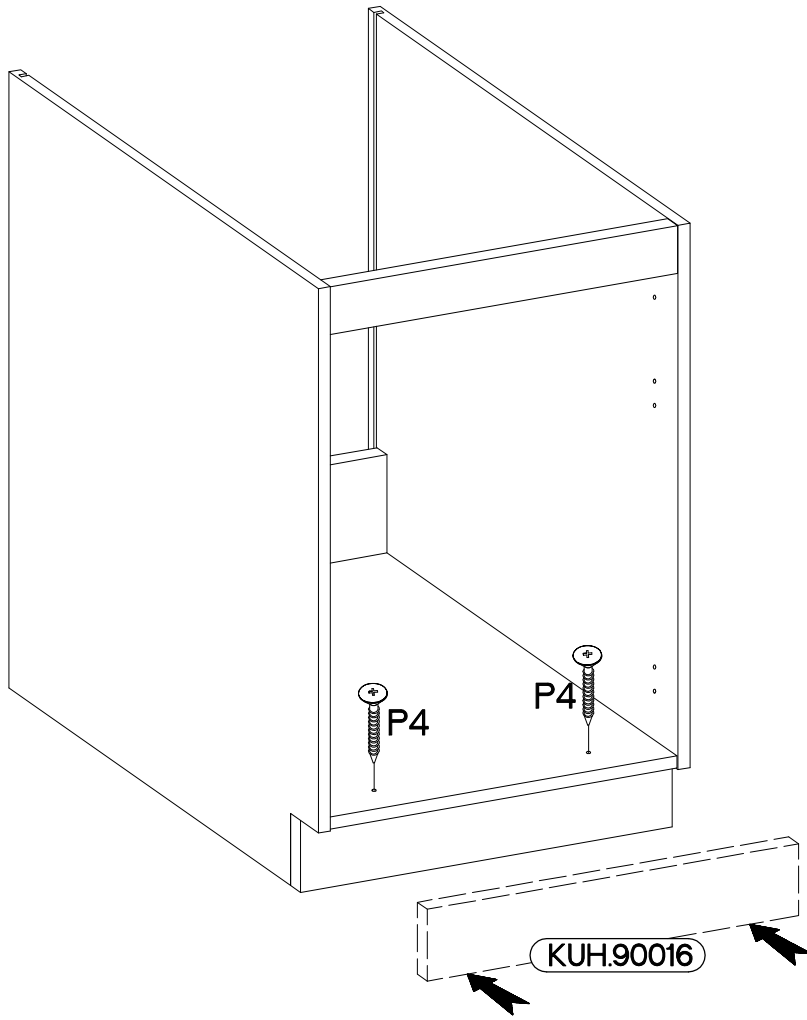
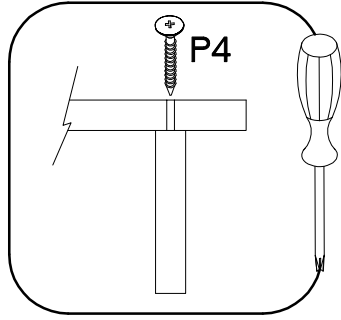
P4

2



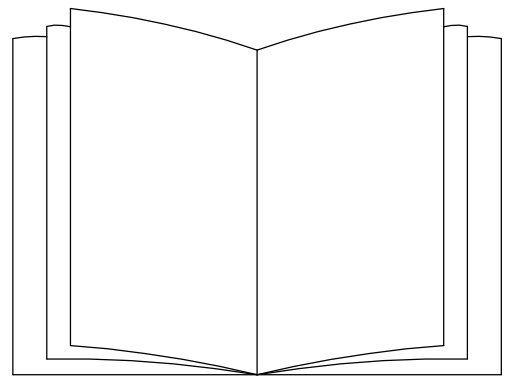
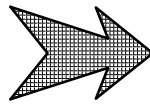
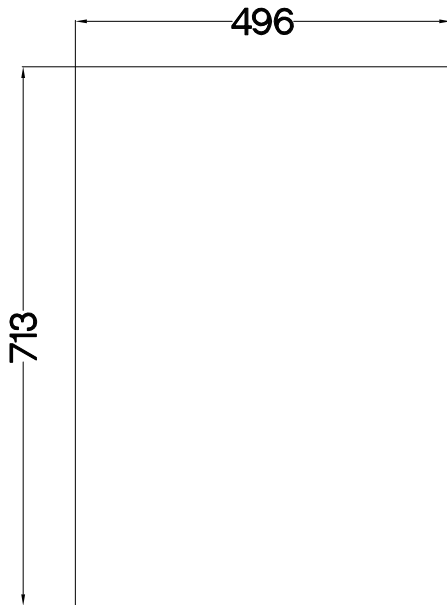
E9

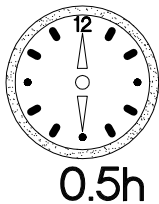
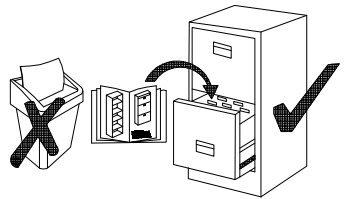
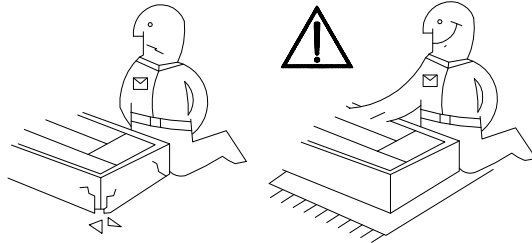
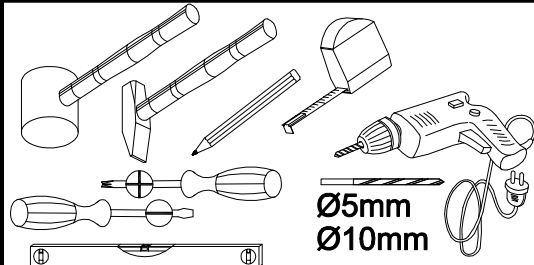
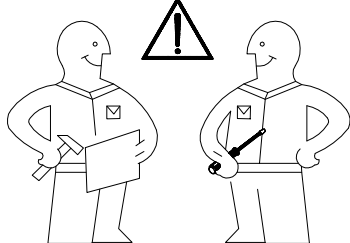
2



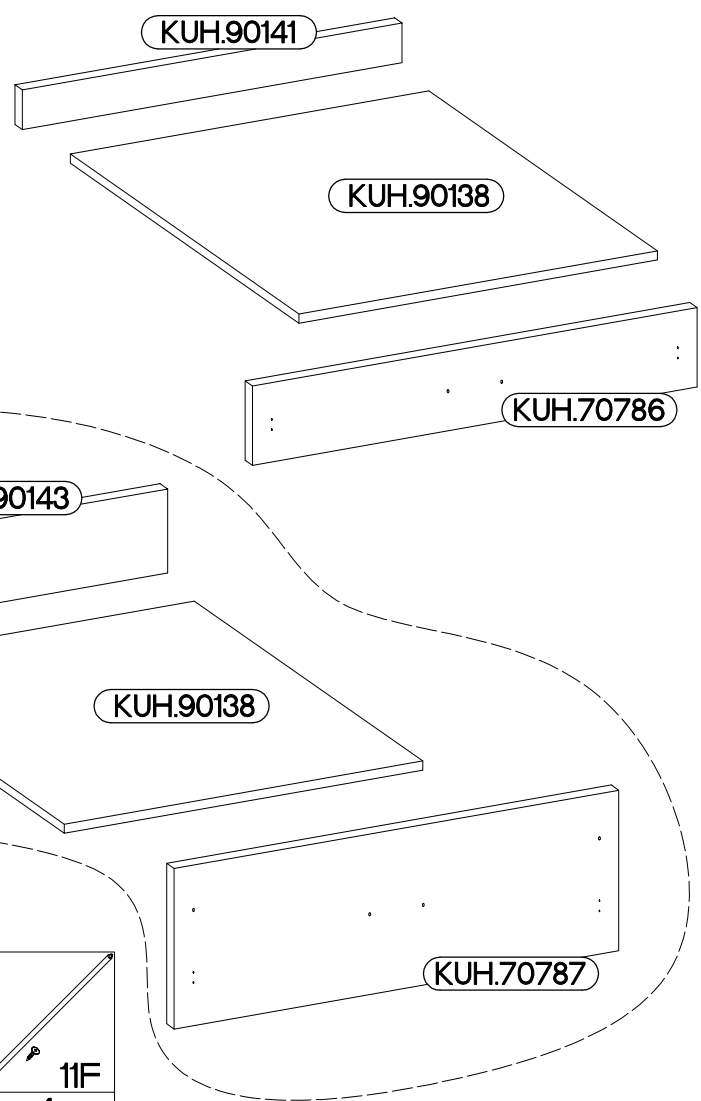
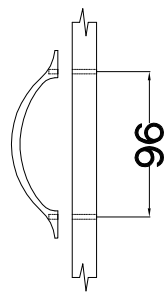
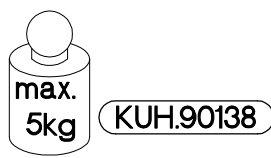
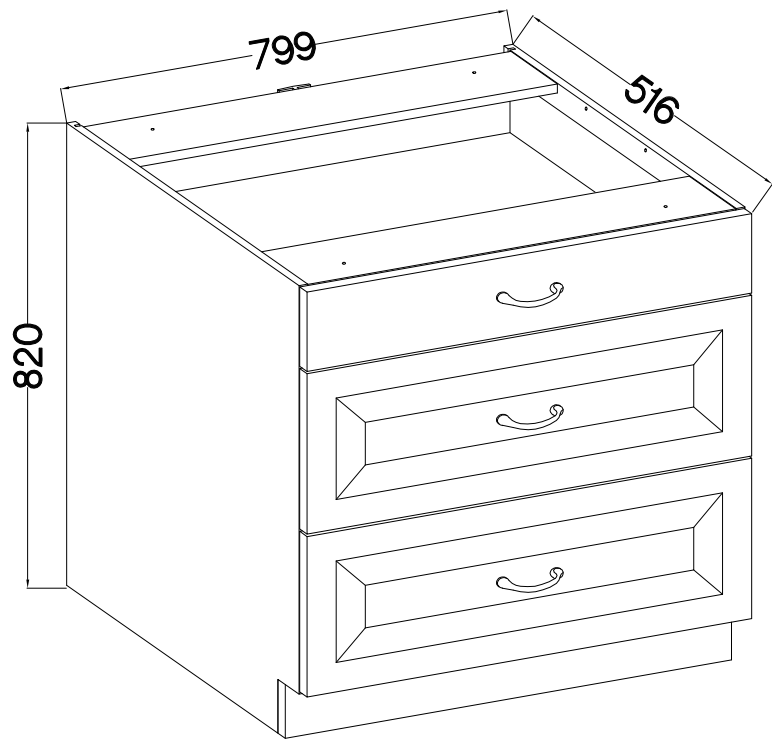
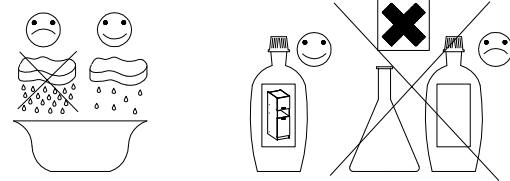
5

FRONT





80 D 3S BB
Premium Box

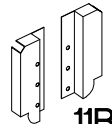
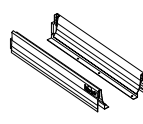
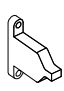
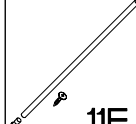



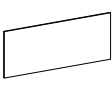


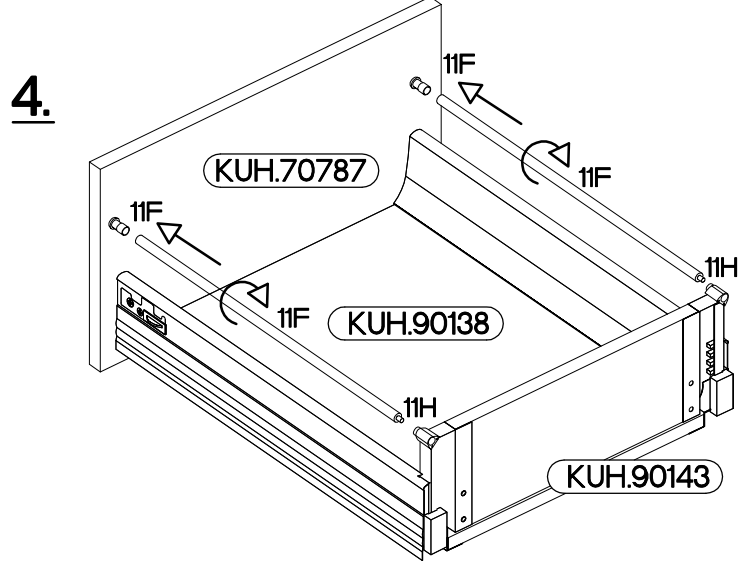
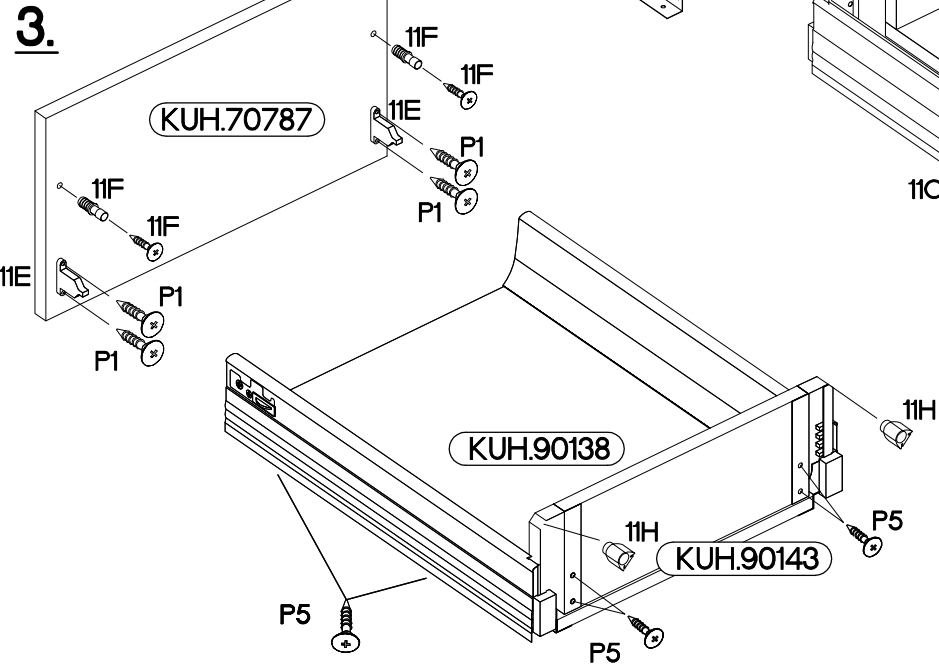
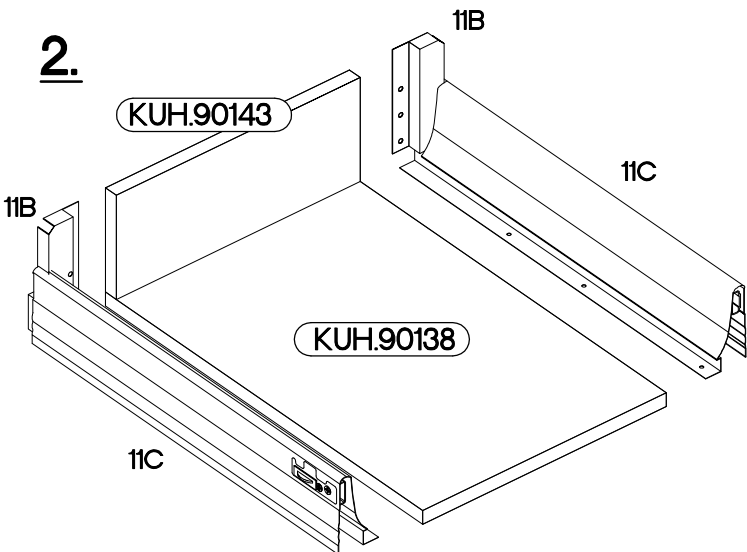
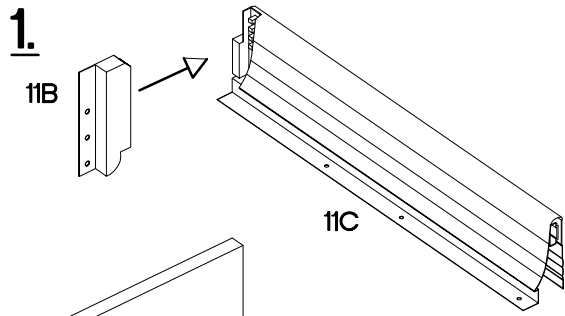
x2

3	2	3	1	6	4
6	4	12	24	24	6
		±6.3x13mm	±4.0x16mm	±3.5x13mm	M4x22mm

ISM-KUH-01194

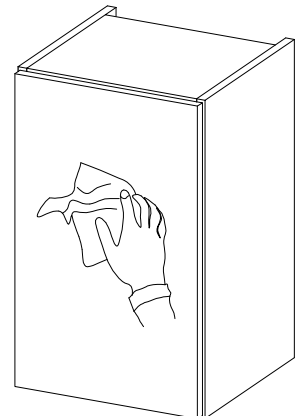
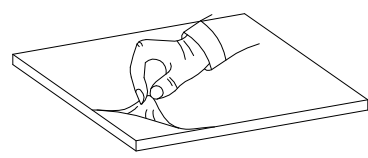
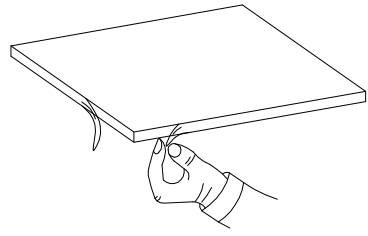
1

							
11B	11C	11E	11F	11H	P1	P5	11G
2	2	4	4	4	8	16	4

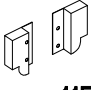
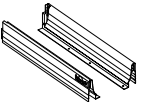
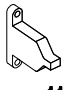





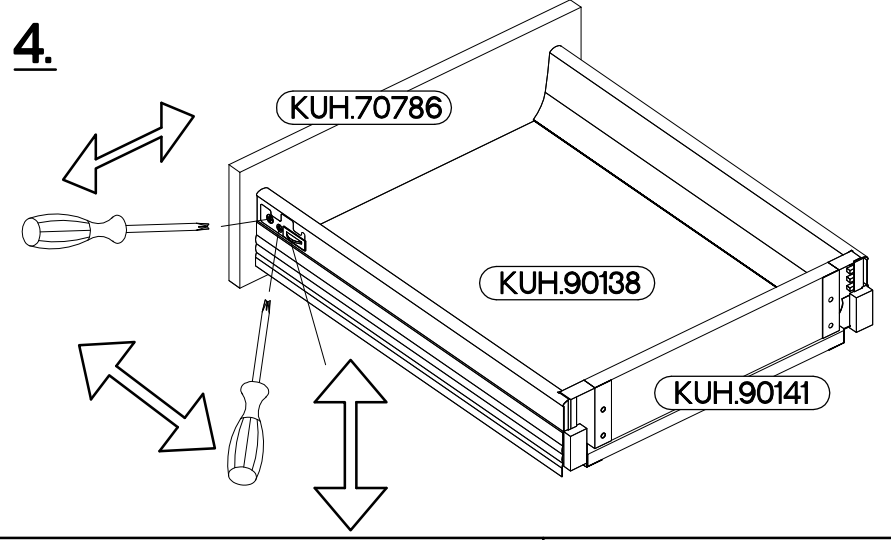
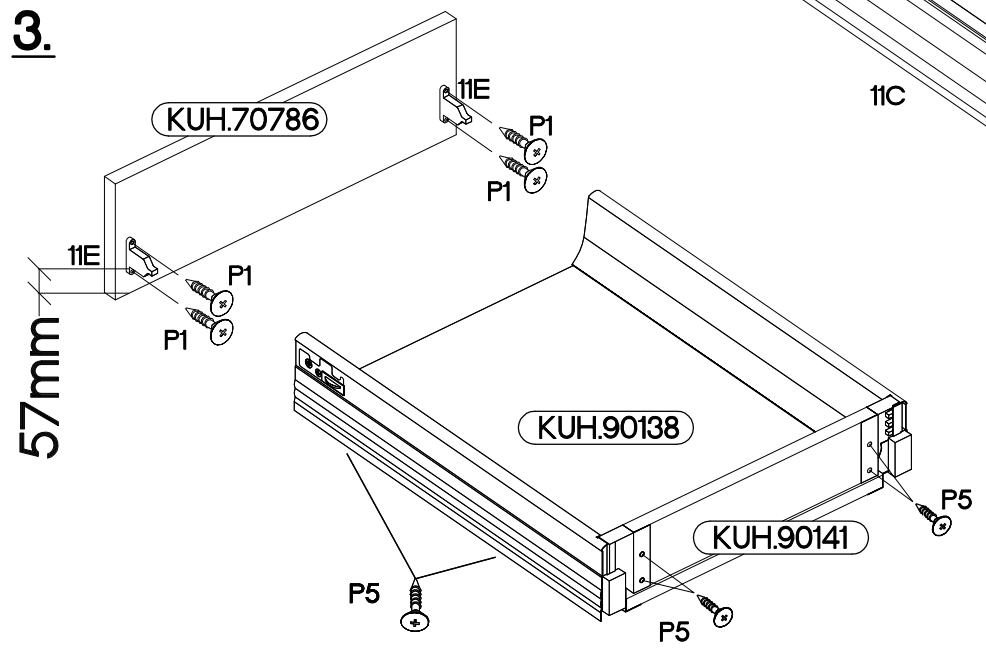
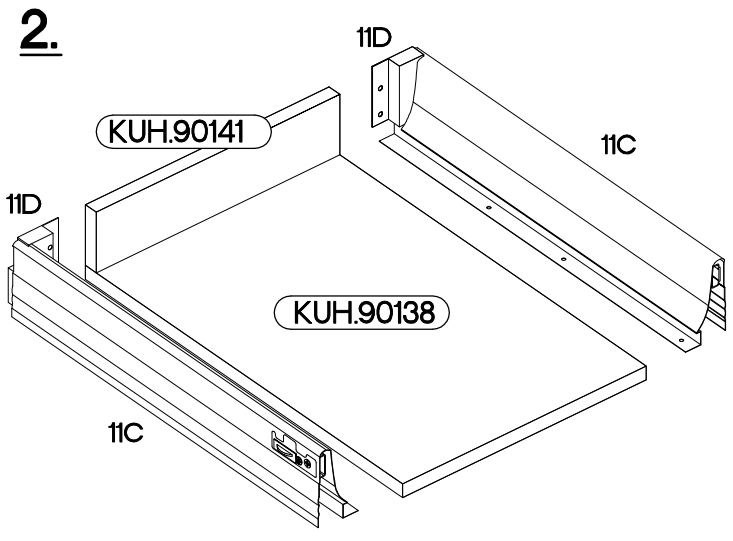
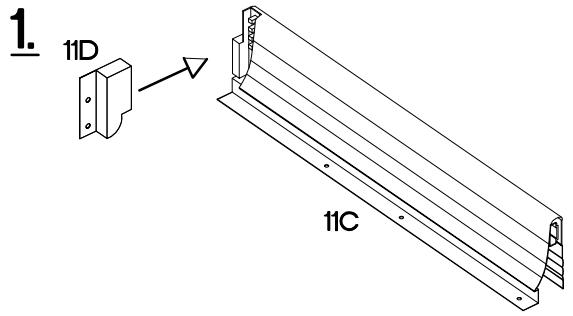
x2

VARIANT HIGH GLOSS

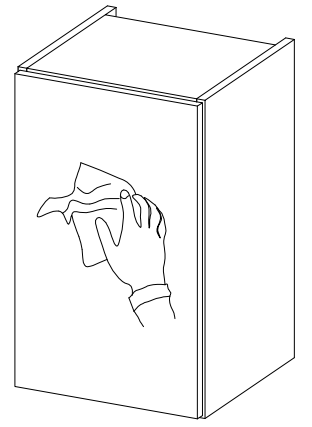
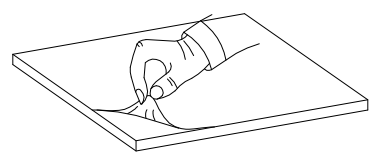
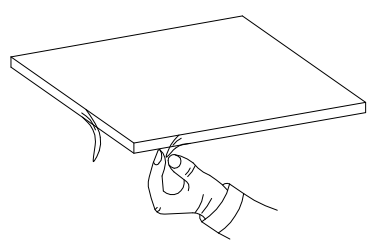


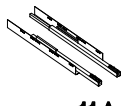


2

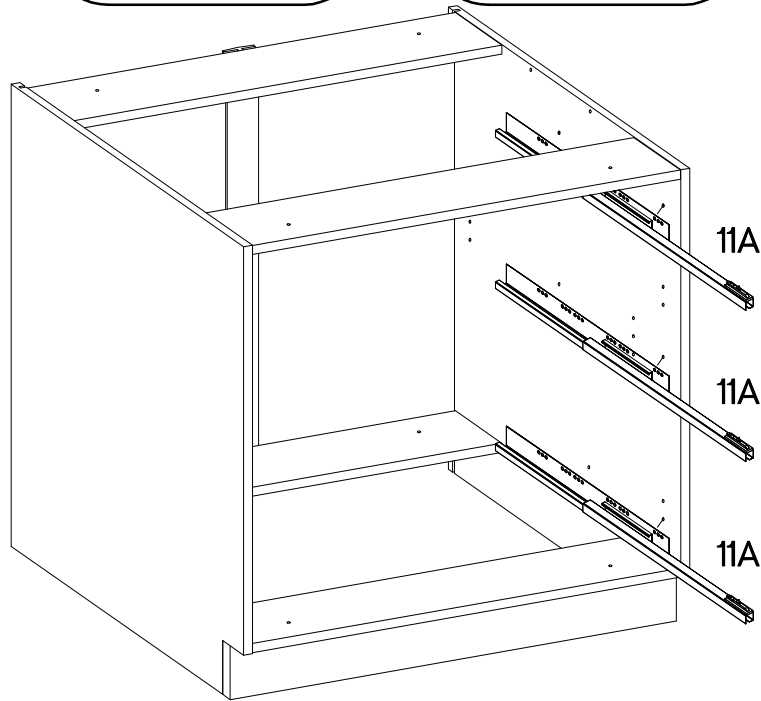
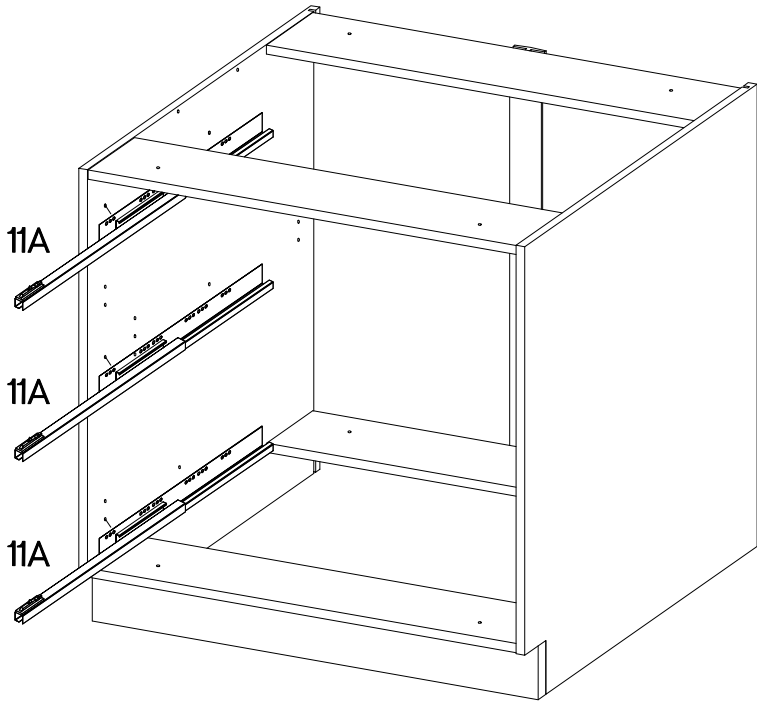
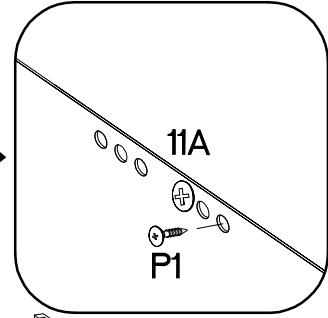
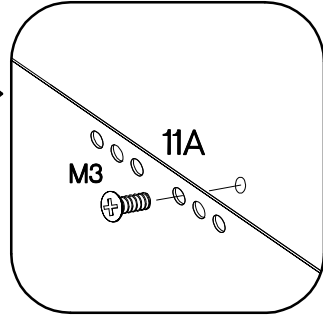
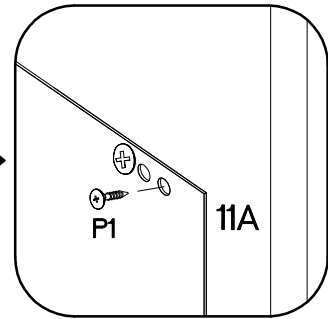
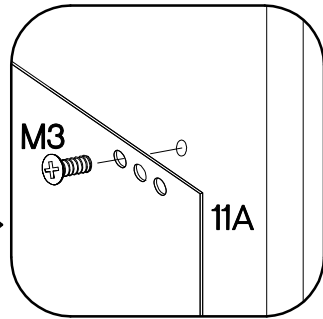
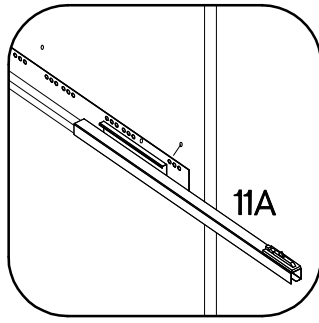
					
11D	11C	11E	P1	P5	11G
1	1	2	4	8	2





VARIANT HIGH GLOSS

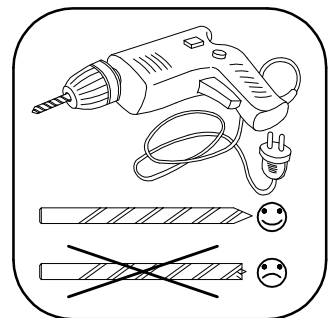
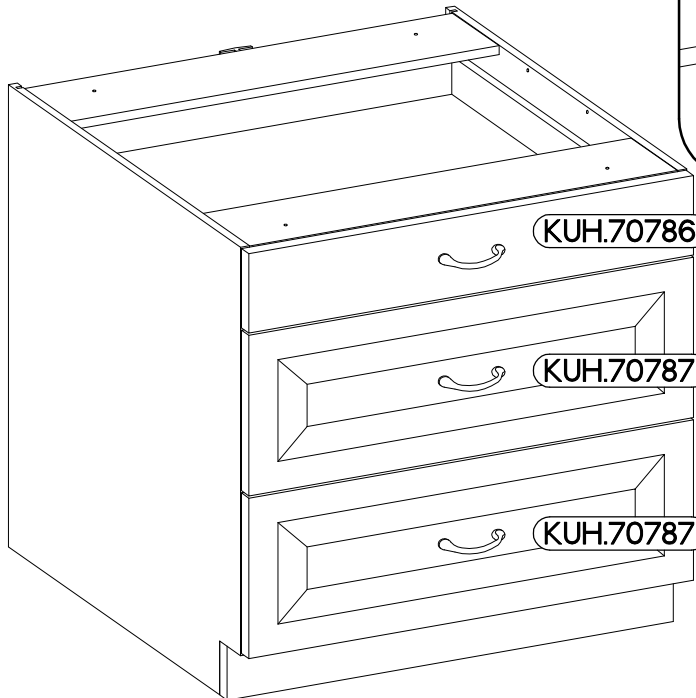
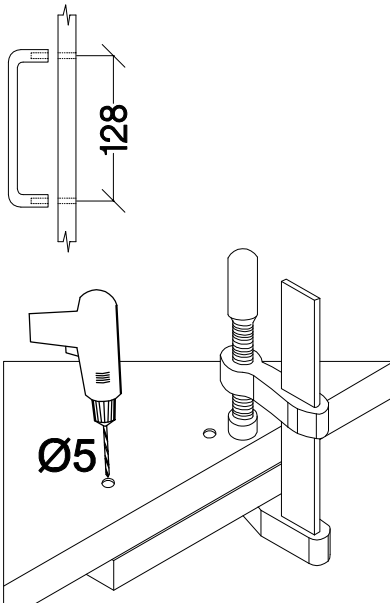
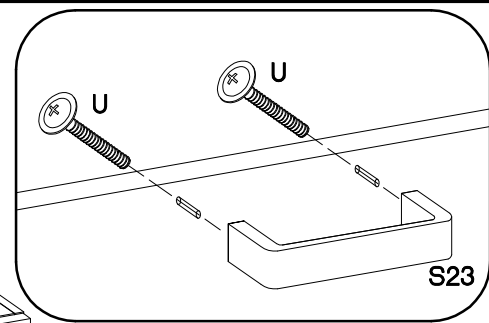


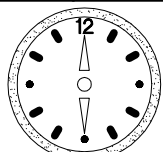
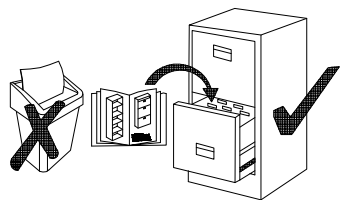
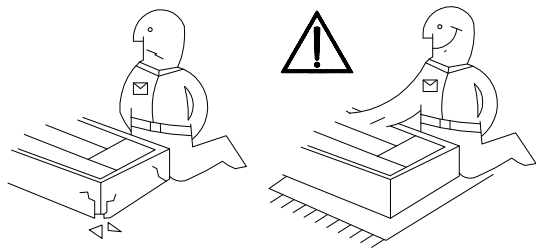
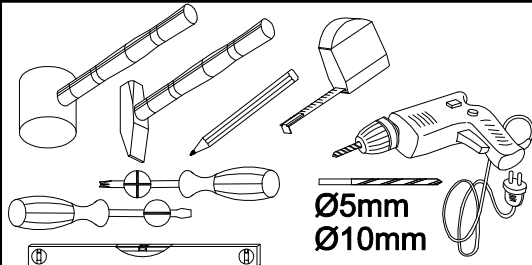
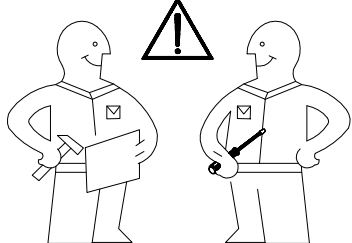
	+6.3x13mm 	+4.0x16mm 
11A 3	M3 12	P1 12



4

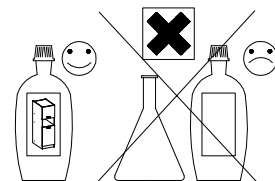
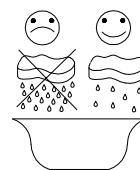
M4x22mm 	
U 6	S 3



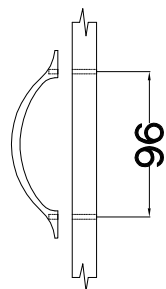
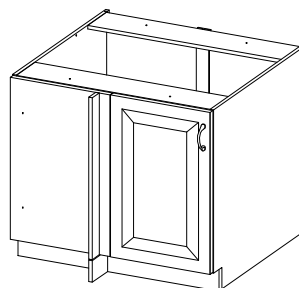
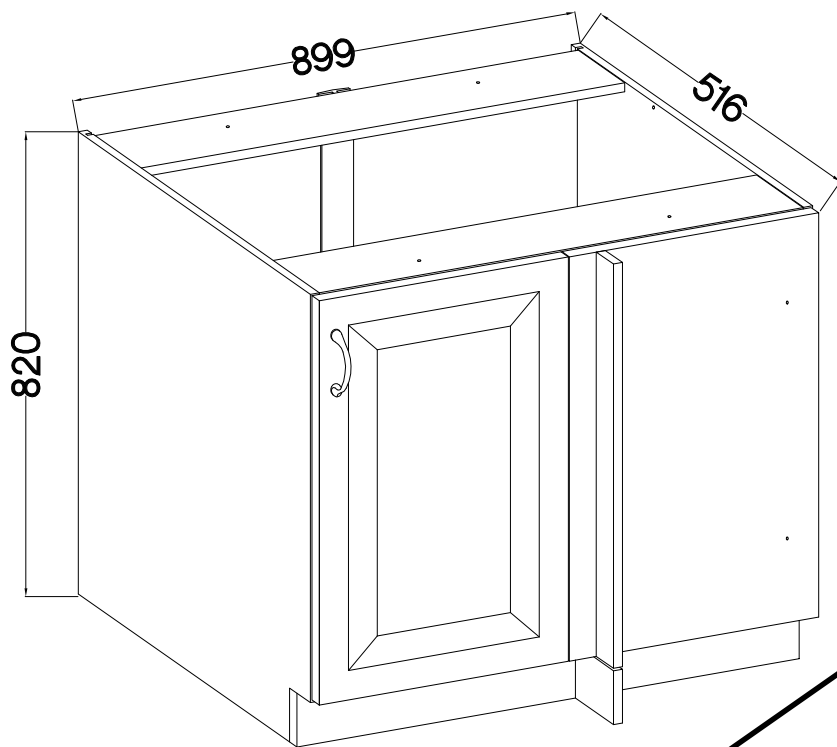


0.5h

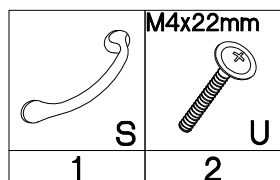
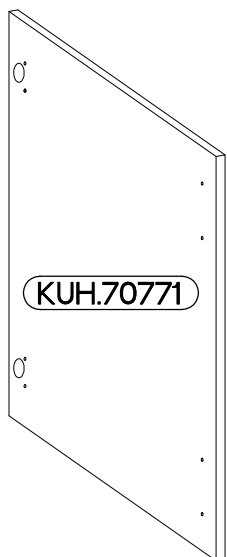
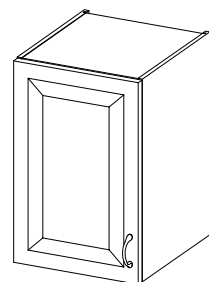
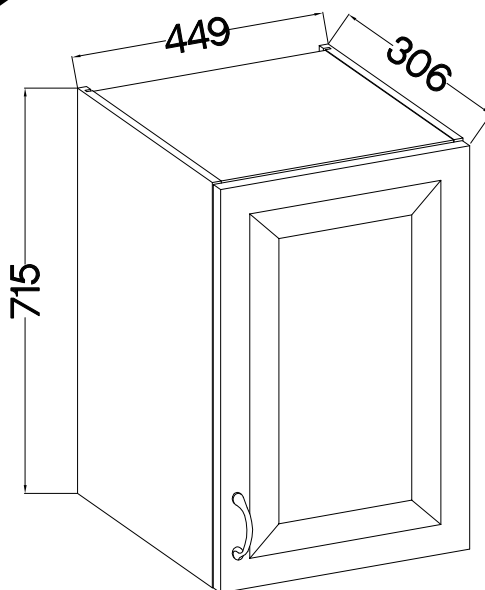
FRONT



105 ND BB



45 G-72 1F



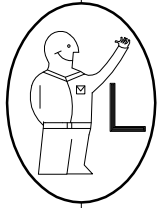
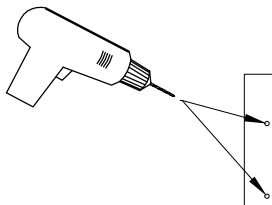
ISM-KUH-01196

1

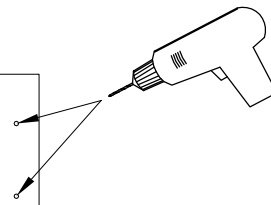
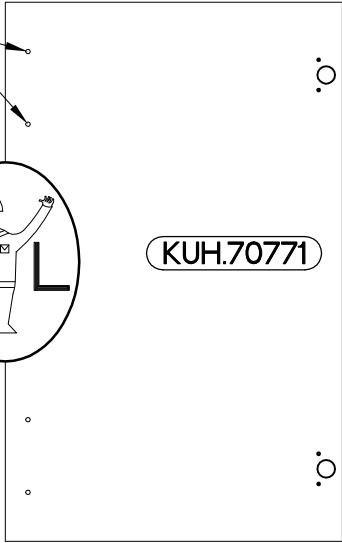
105 ND BB

LEFT

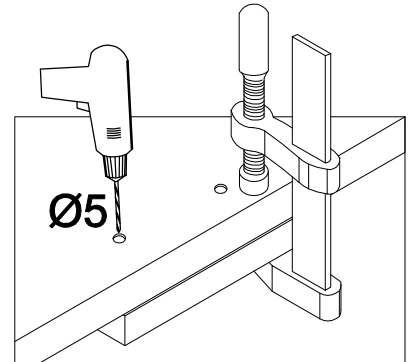
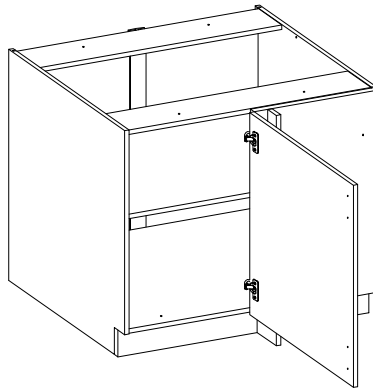
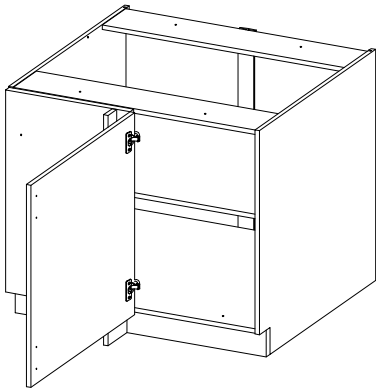
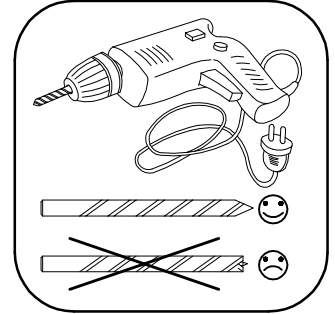
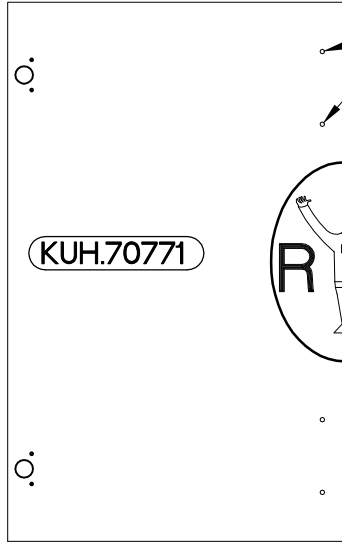
RIGHT




KUH.70771

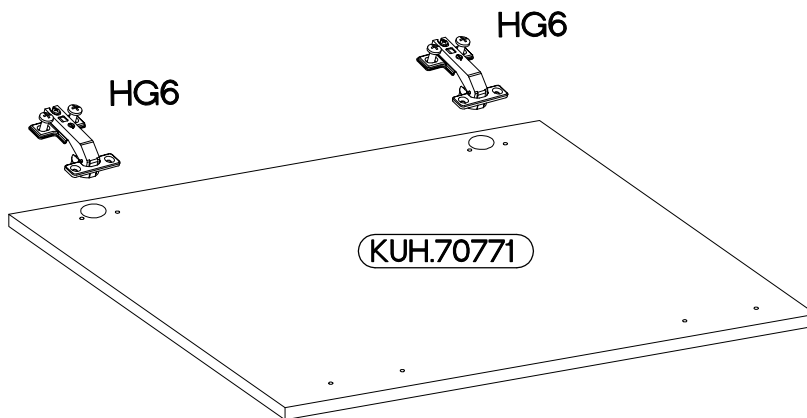
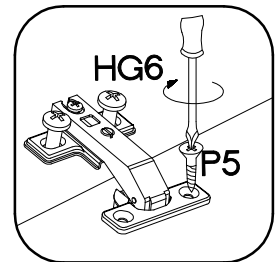


KUH.70771



2

	$\pm 35/90^\circ$ $\pm 3.5 \times 13 \text{mm}$
HG6	P5
2	4



3

M4x22mm



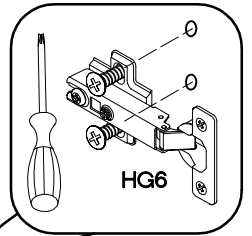
U

2

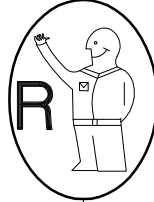


S

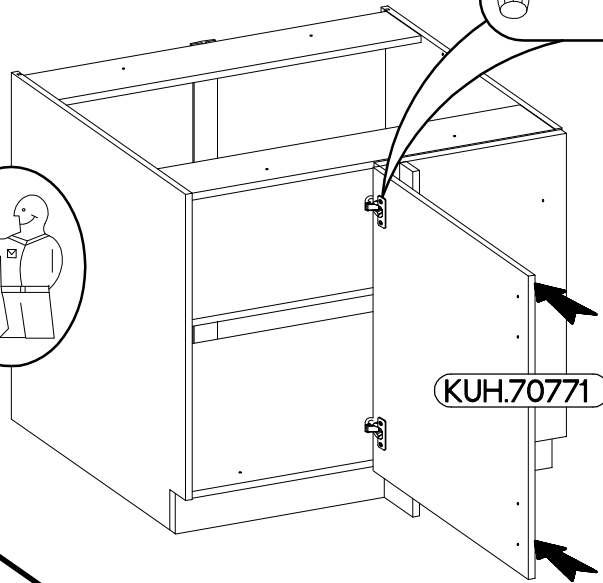
1



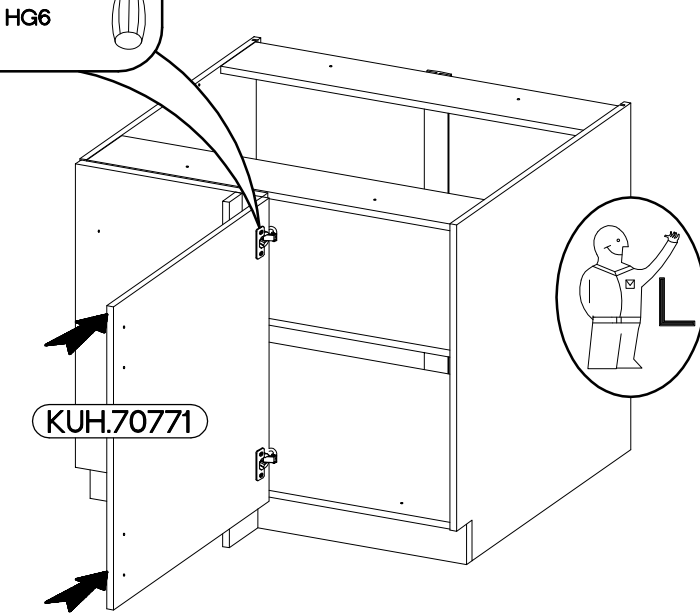
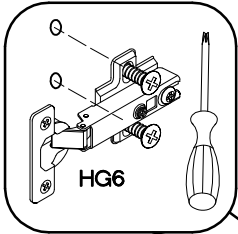
HG6



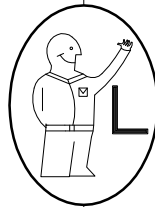
R



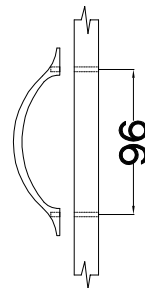
KUH.70771



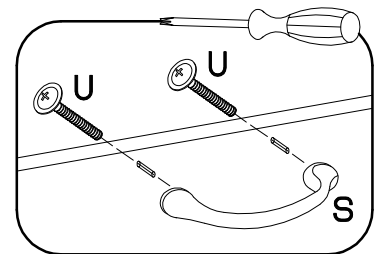
KUH.70771



L

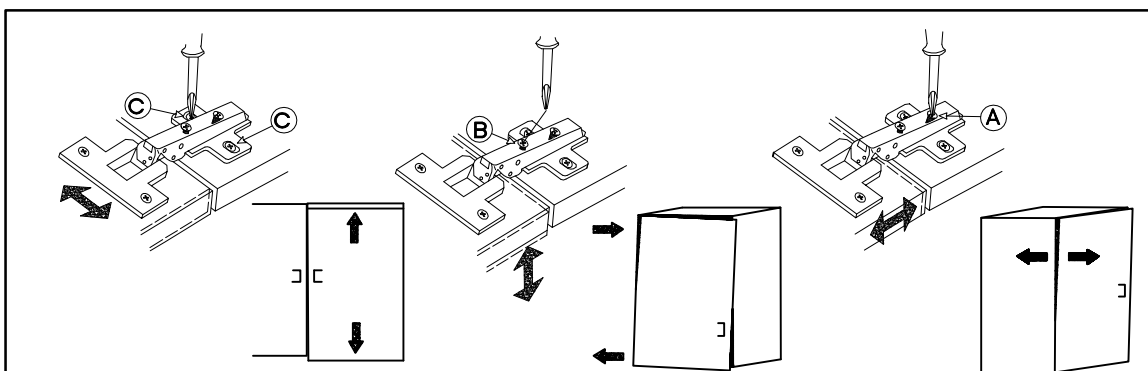


96



U

S

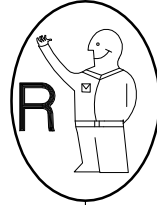
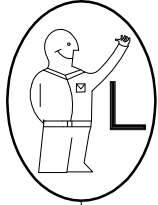
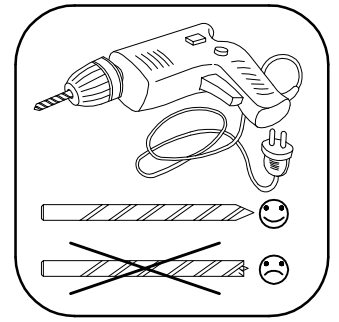


4

45 G-72 1F

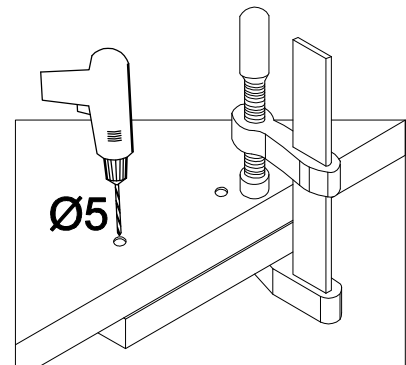
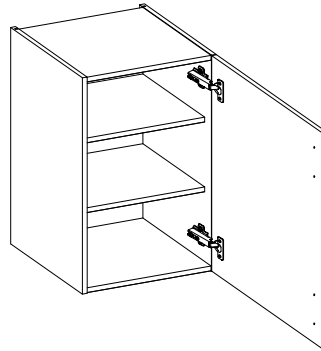
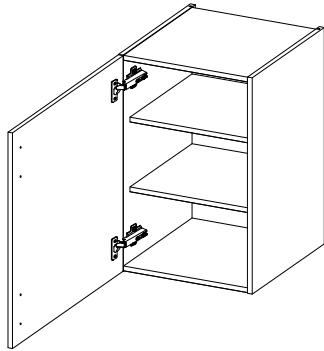
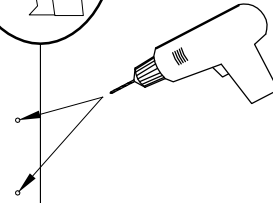
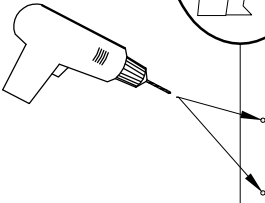
LEFT

RIGHT





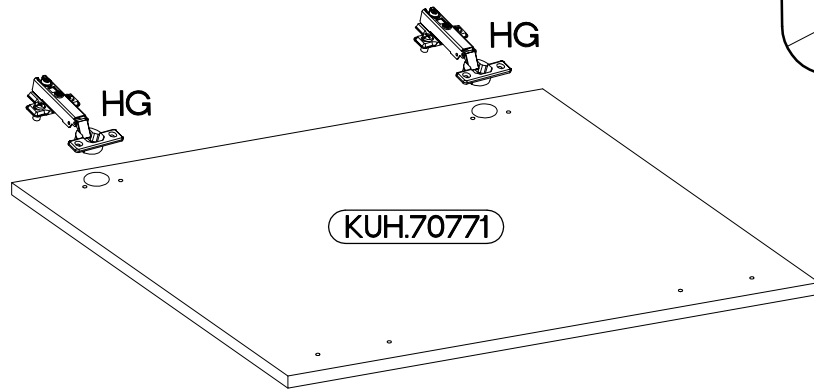
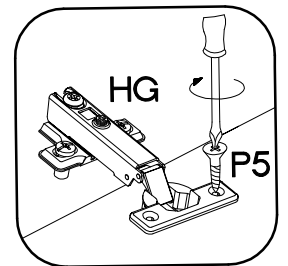
KUH.70771

KUH.70771



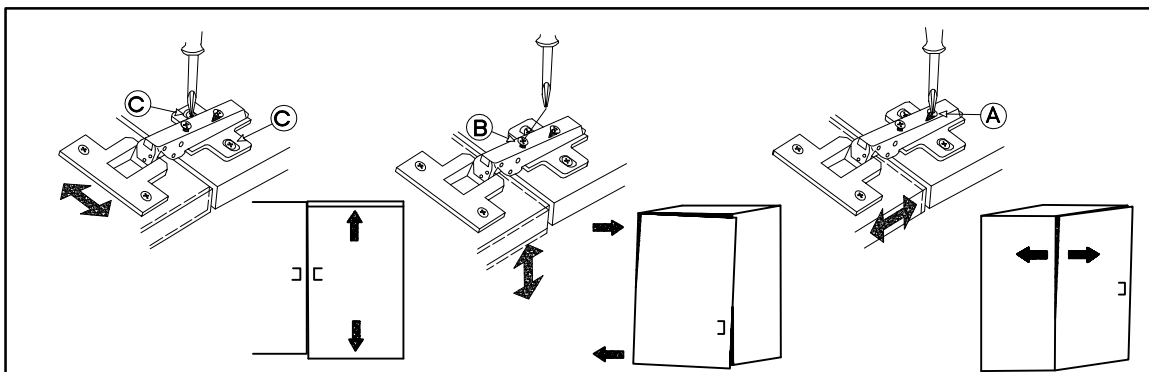
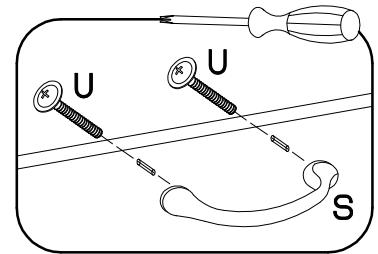
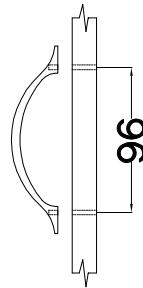
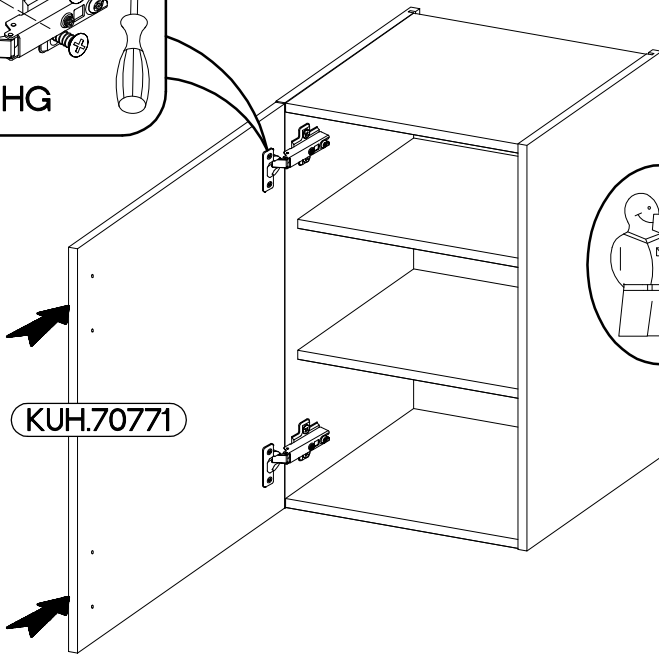
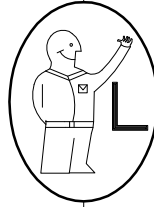
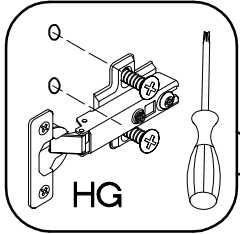
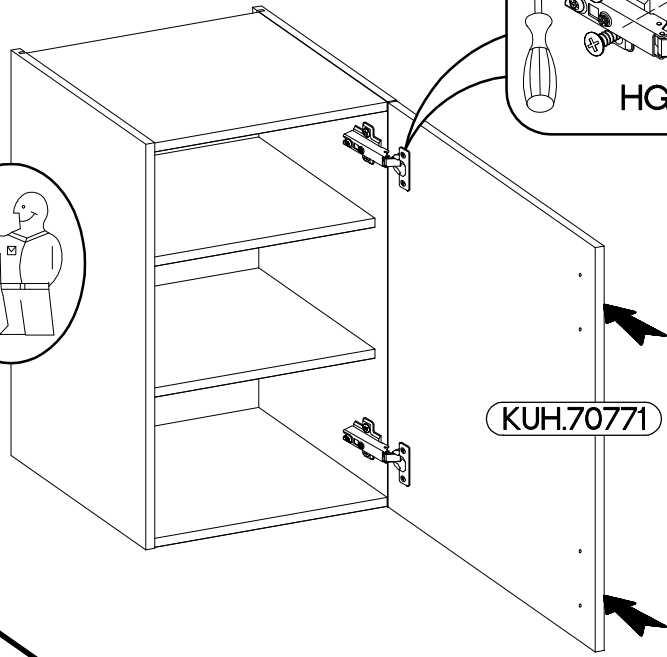
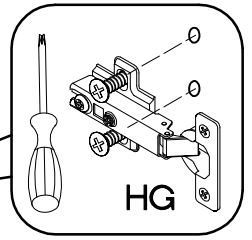
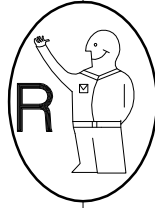
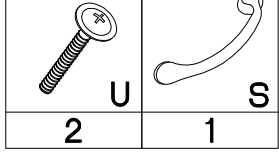
5

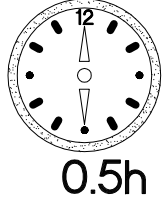
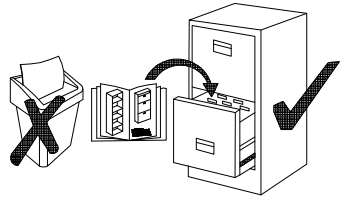
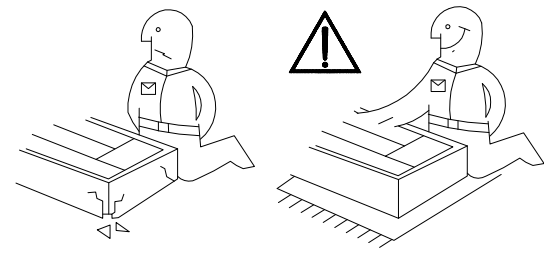
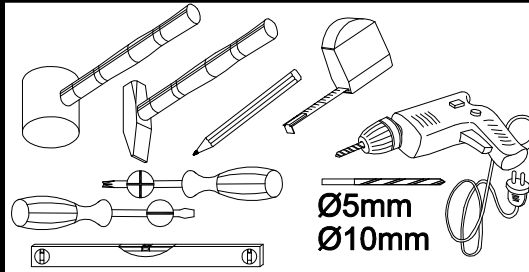
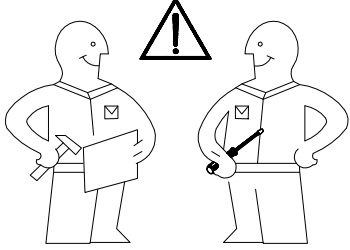
 HG 2	 P5 4
--	--



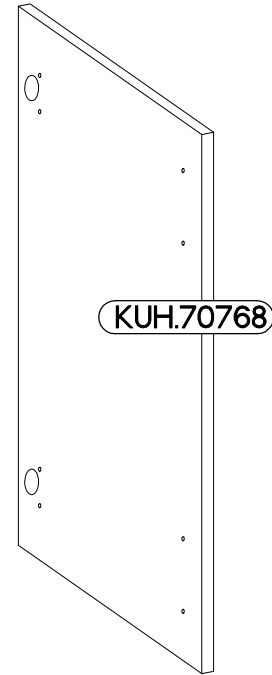
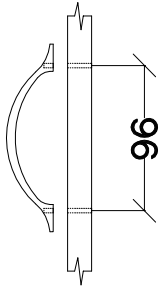
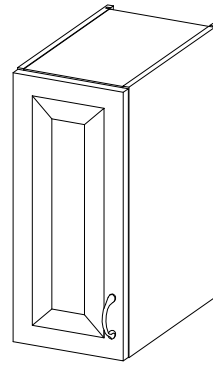
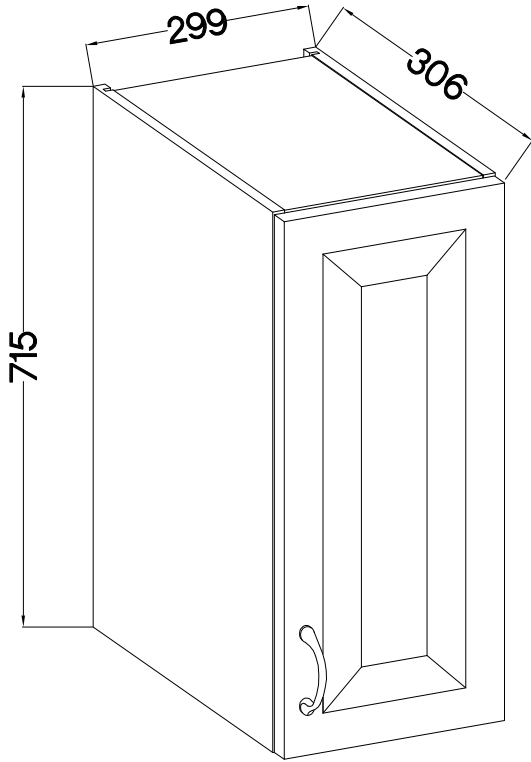
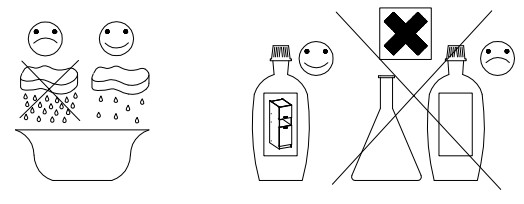
6



M4x22mm





30 G-72 1F
FRONT



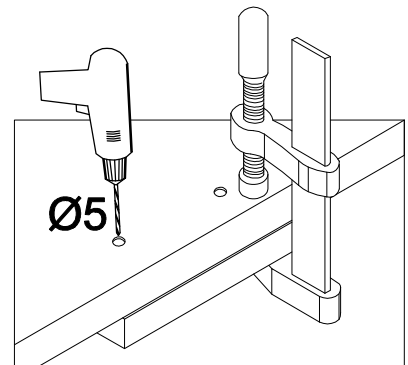
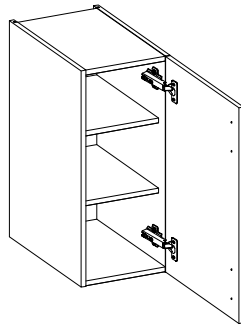
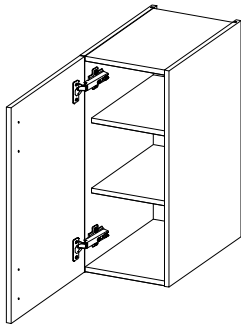
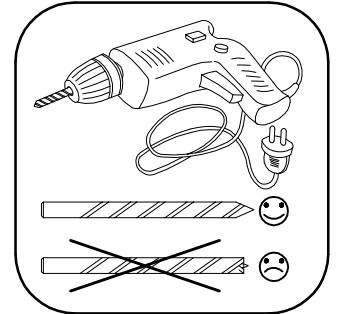
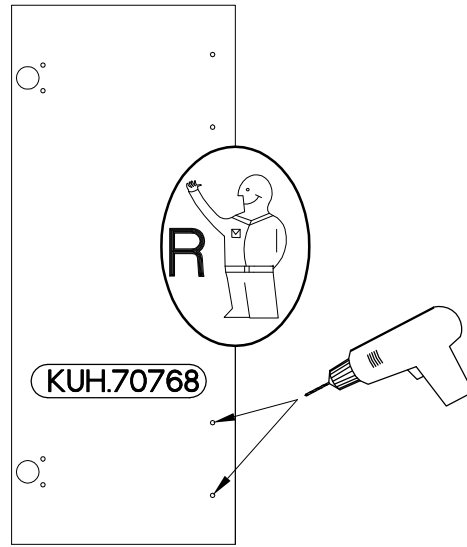
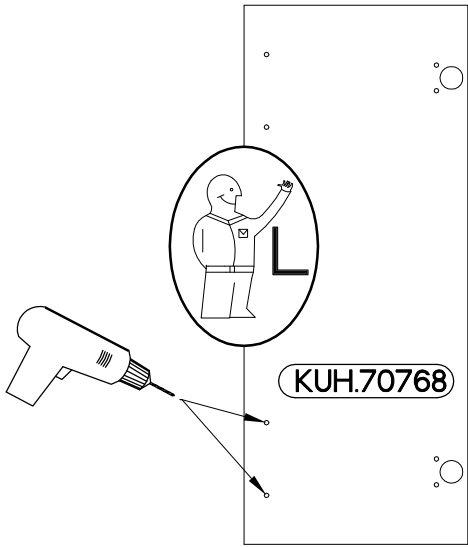
M4x22mm	
	
U	S
2	1

ISM-KUH-01197



1

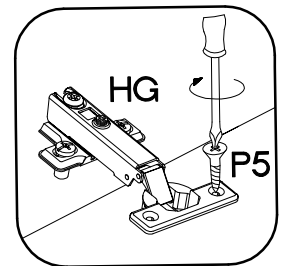
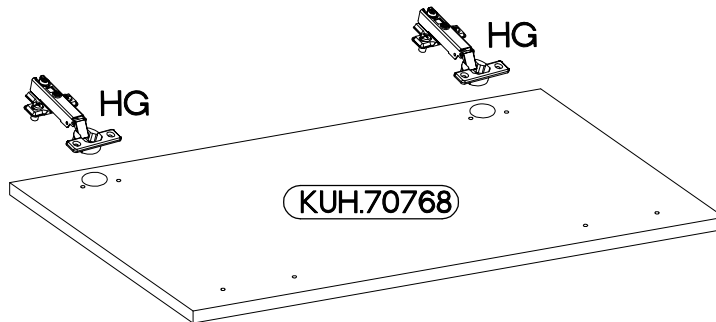
LEFT

RIGHT



2

 HG 2	 P5 4
--	--



M4x22mm



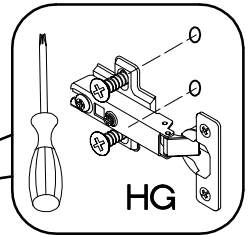
U

2

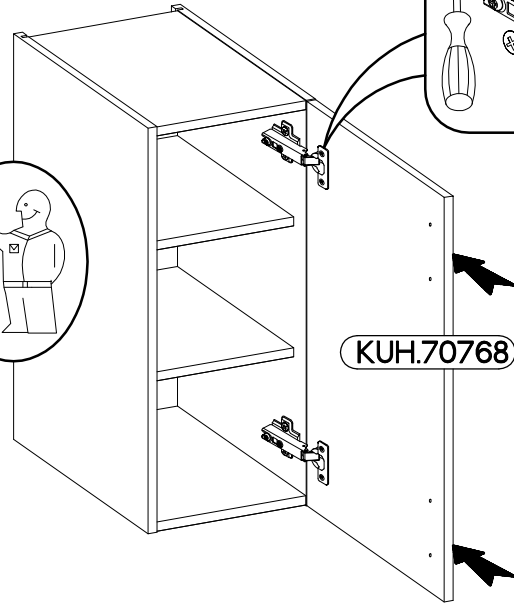
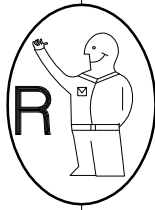


S

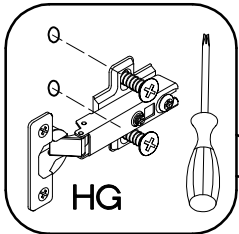
1



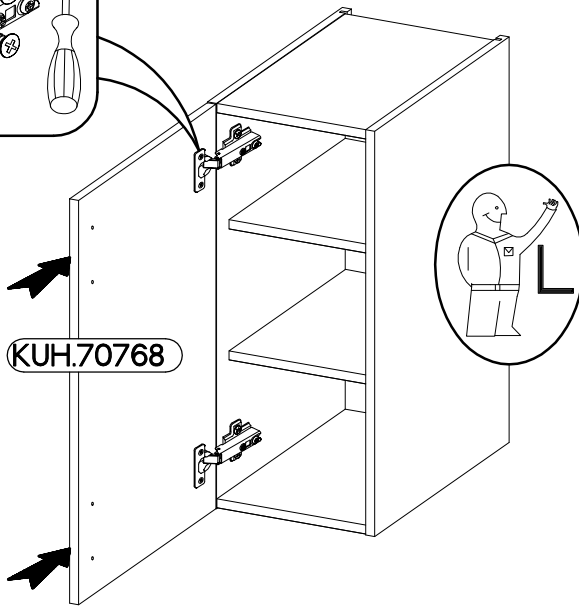
HG



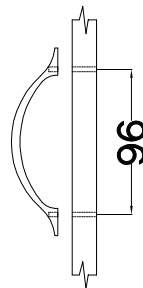
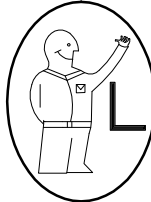
KUH.70768



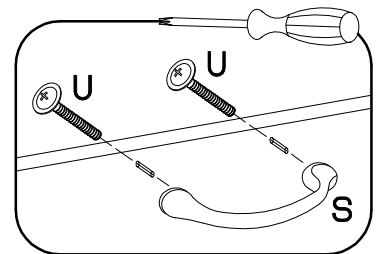
HG



KUH.70768

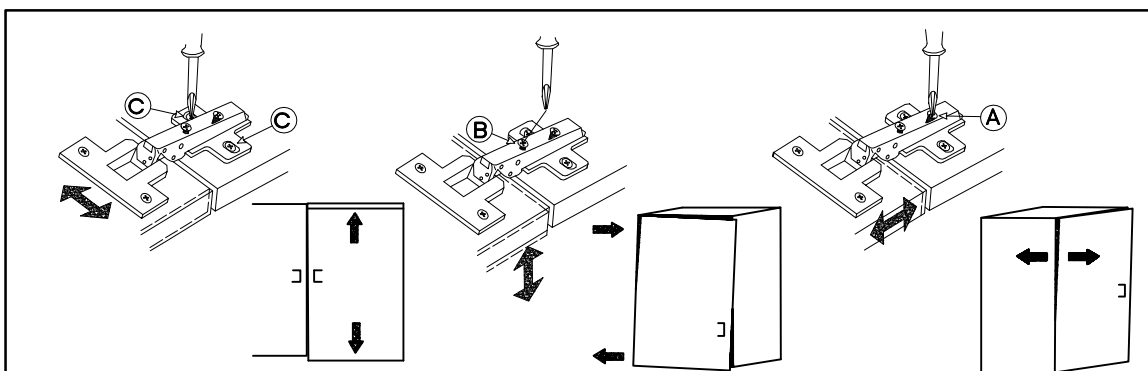


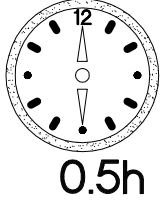
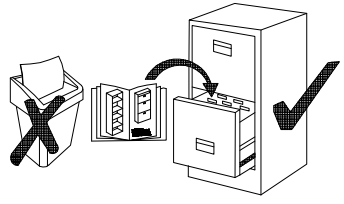
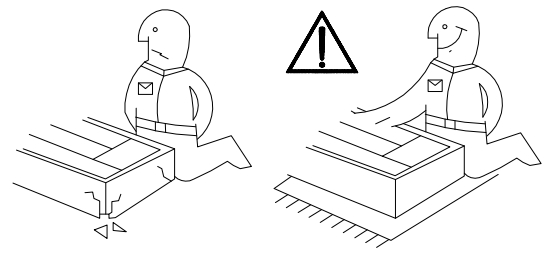
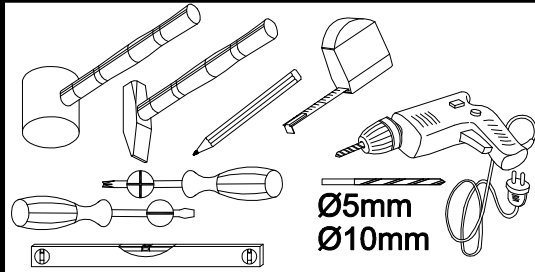
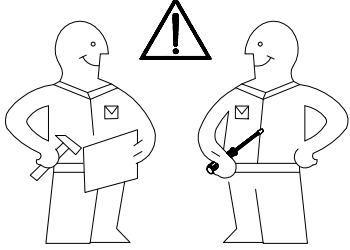
96



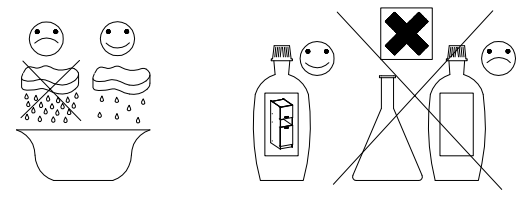
U

S

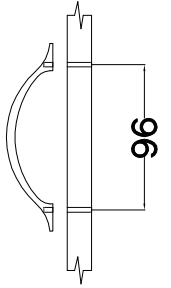
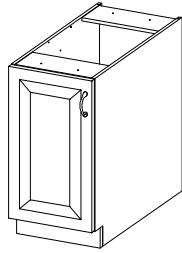
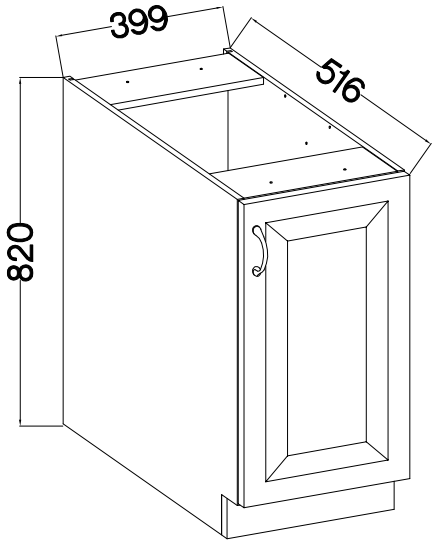




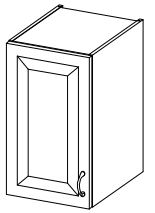
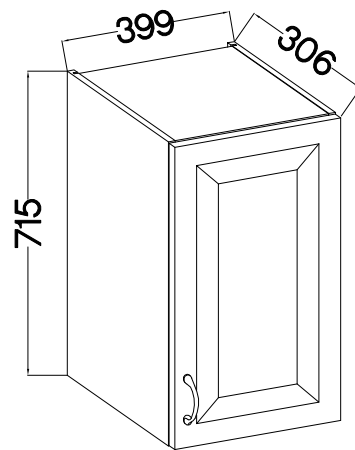
FRONT



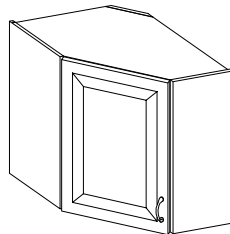
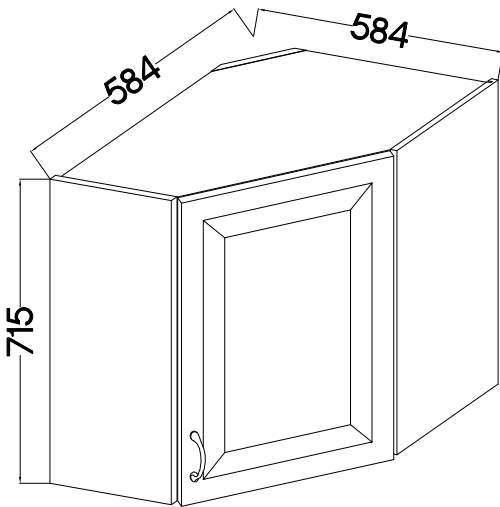
40 D 1F BB



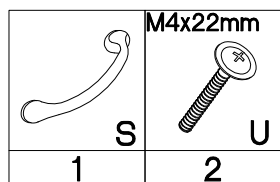
40 G-72 1F



58x58 GN-72 1F



KUH.70769



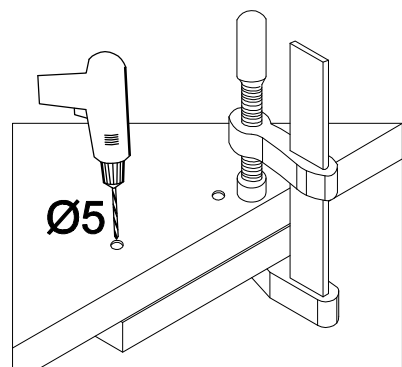
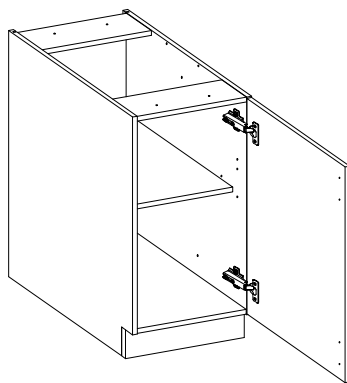
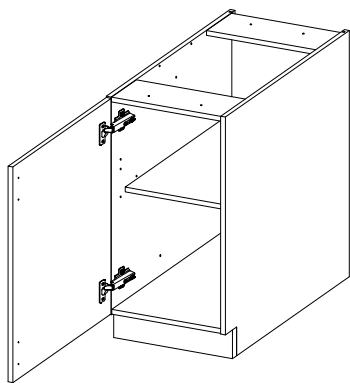
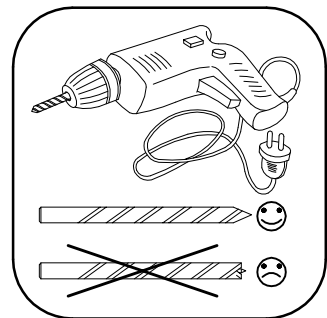
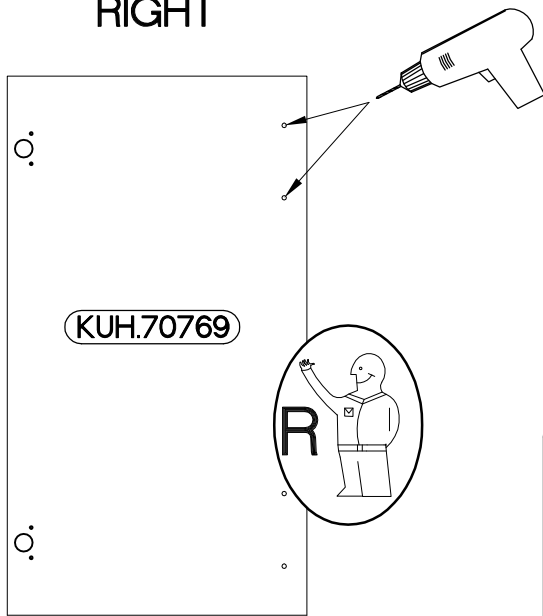
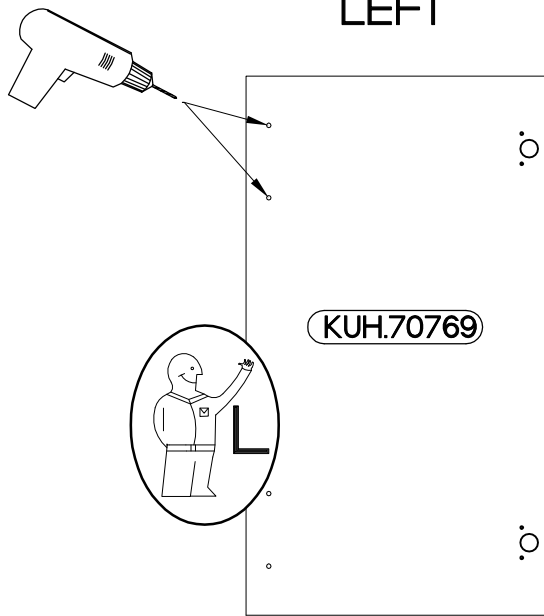
ISM-KUH-01198

1

40 D 1F BB

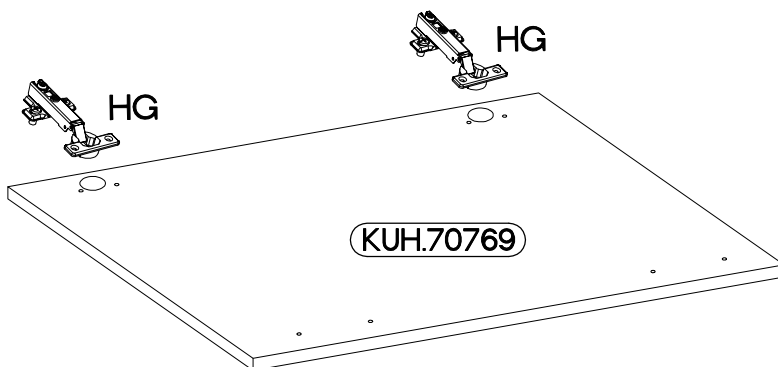
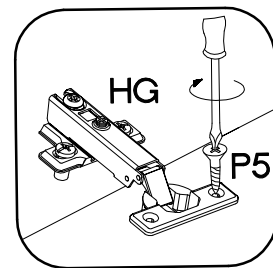
LEFT

RIGHT



2

+35/0mm	+3.5x13mm
HG	P5
2	4



3

M4x22mm



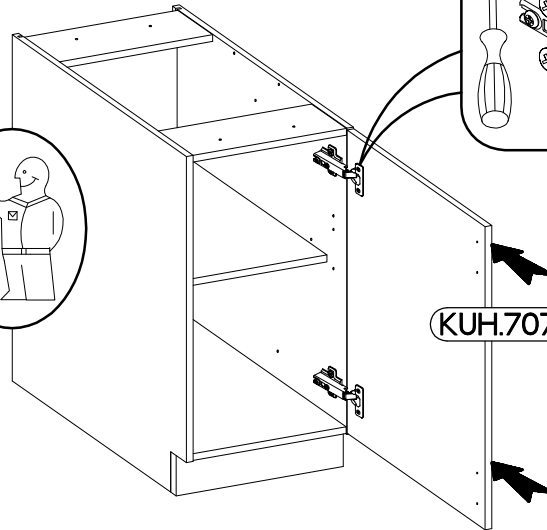
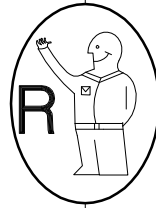
U

2

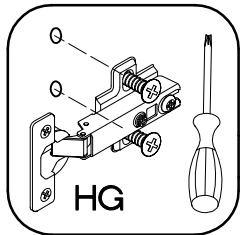


S

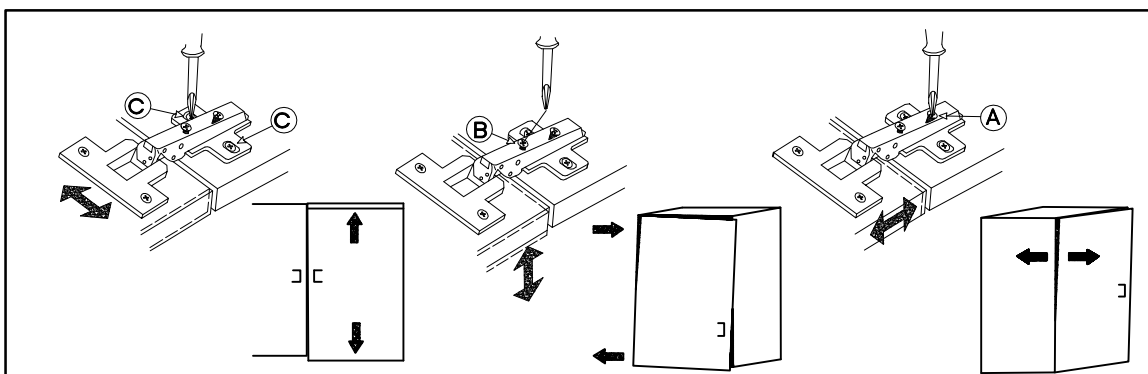
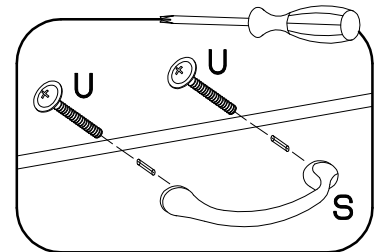
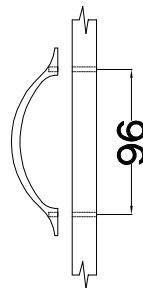
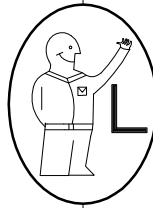
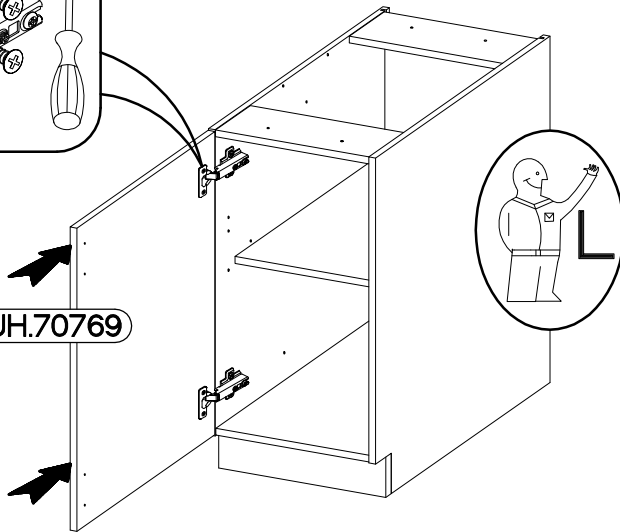
1



KUH.70769



KUH.70769

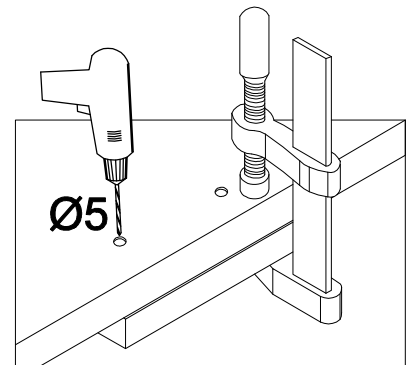
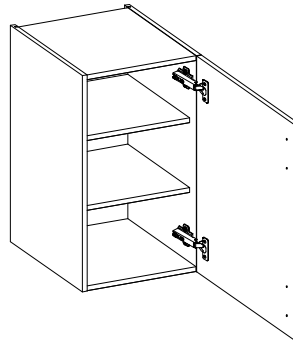
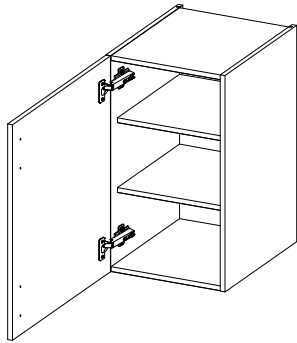
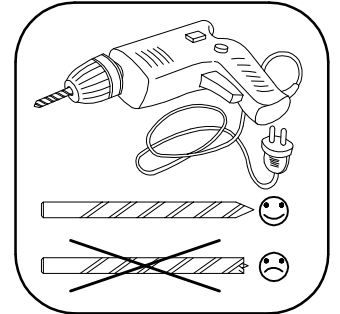
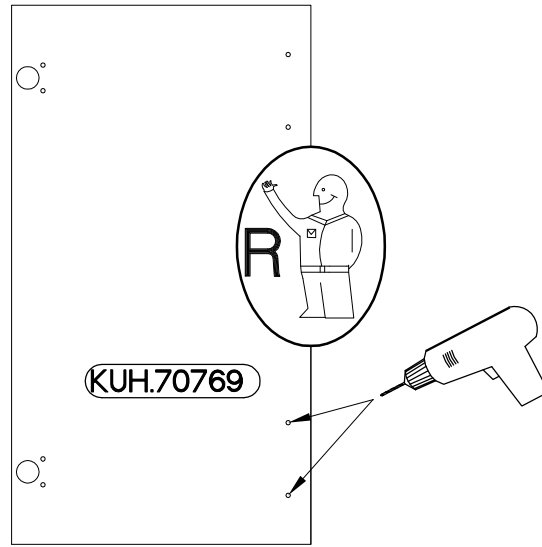
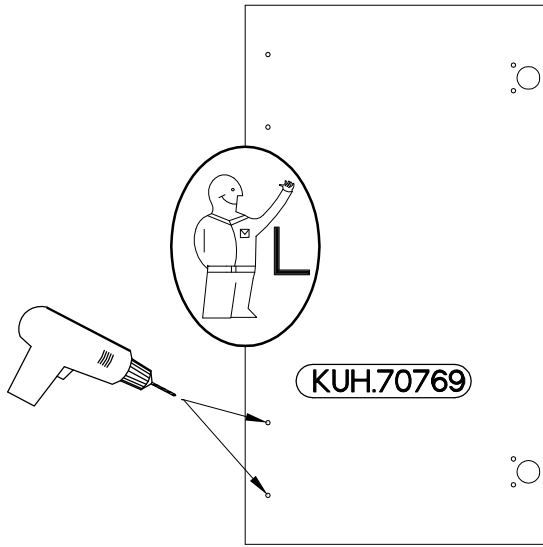


4



40 G-72 1F

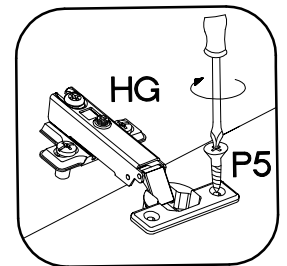
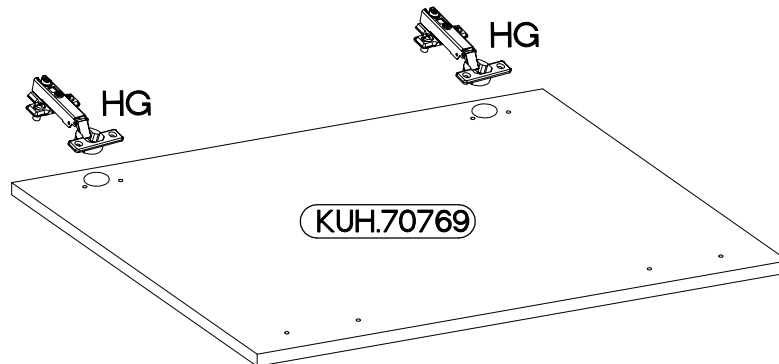
LEFT

RIGHT



5

 HG 2	 P5 4
--	--

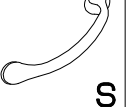


6

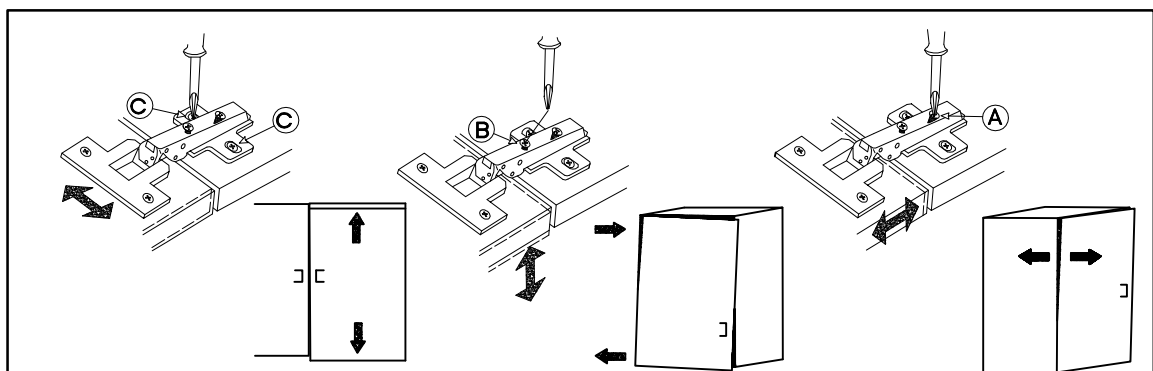
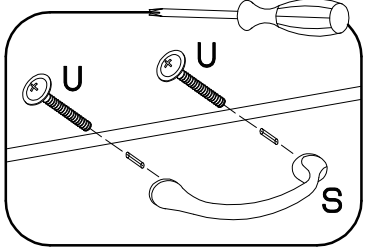
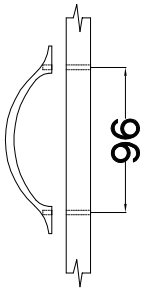
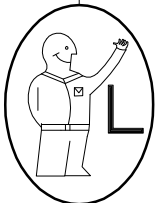
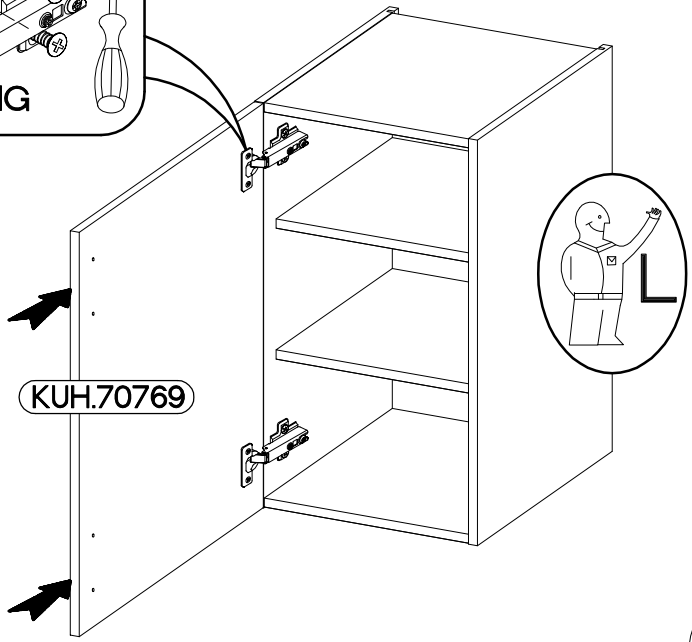
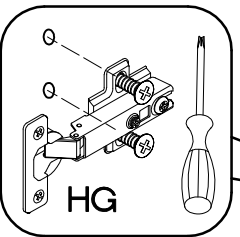
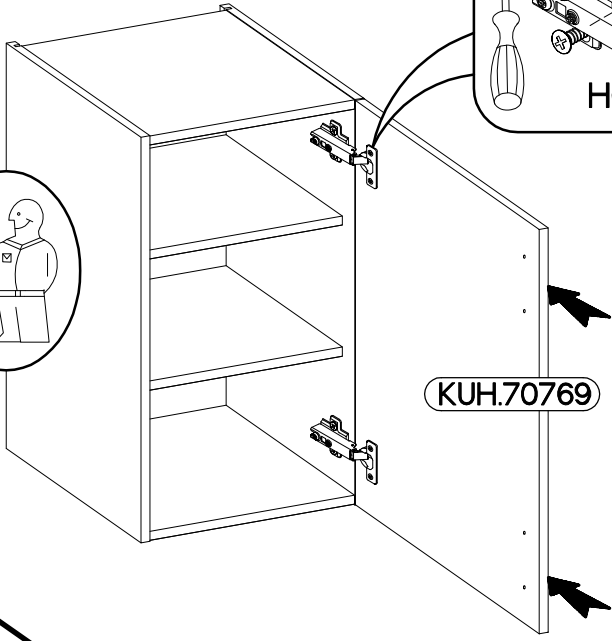
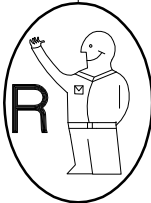
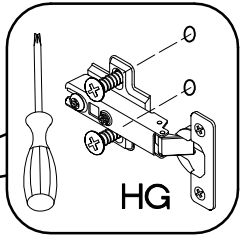
M4x22mm



2



1

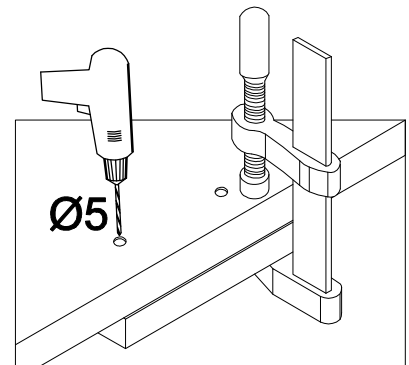
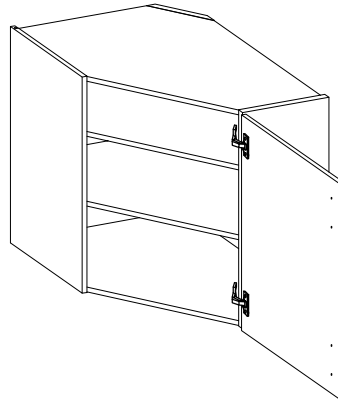
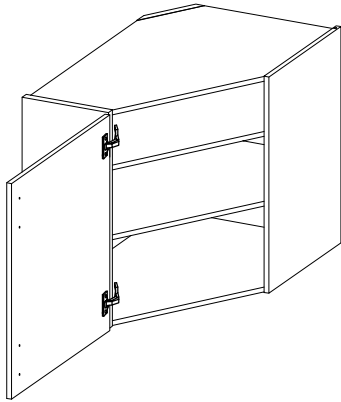
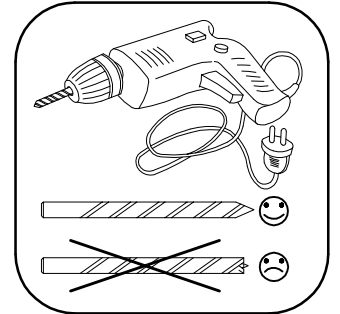
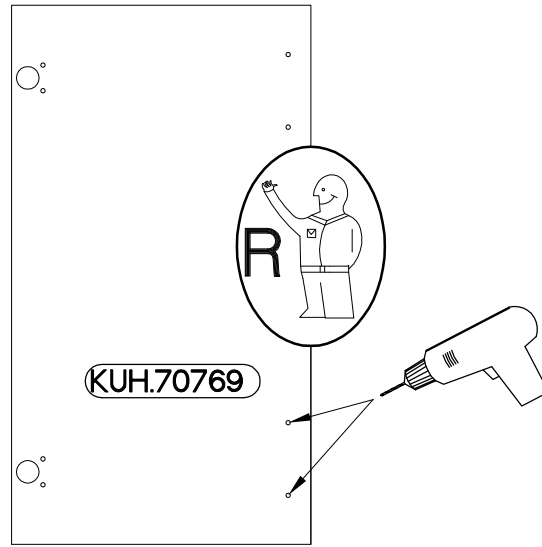
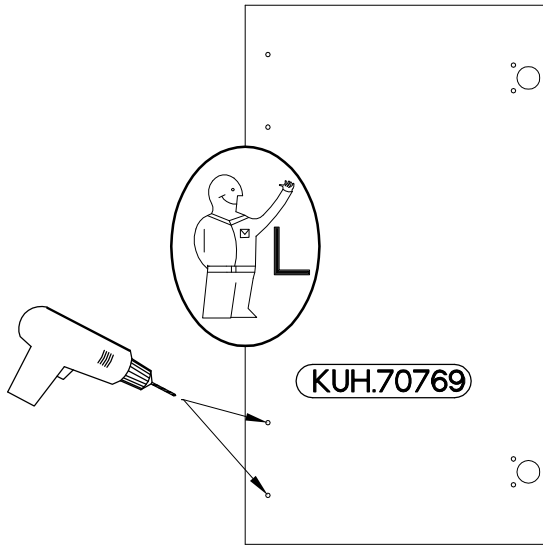


7

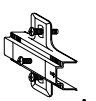
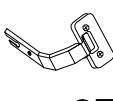

58x58 GN-72 1F

LEFT

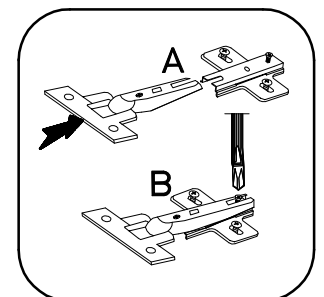
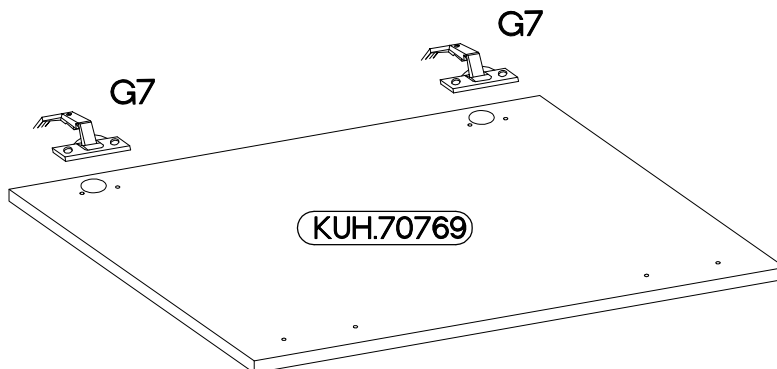
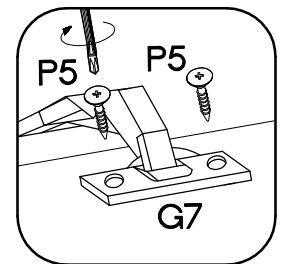
RIGHT



8

		
H	G7	P5
2	2	4

±3.5x13mm



9

M4x22mm



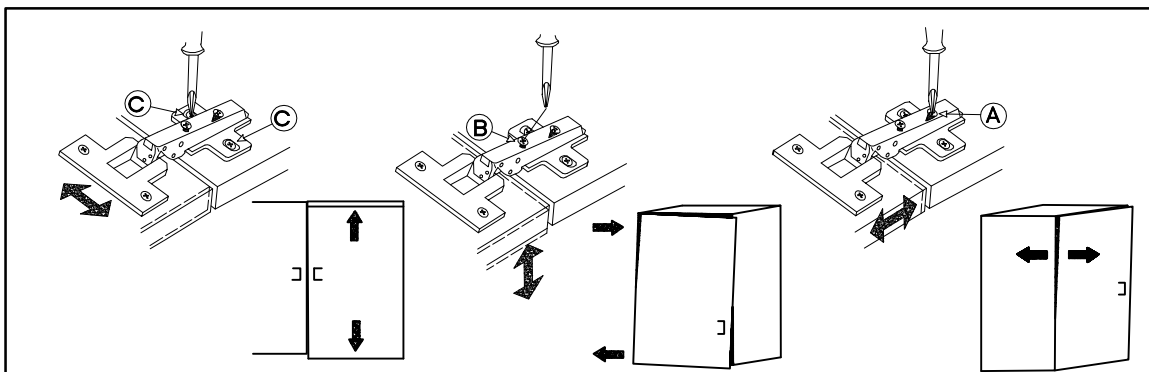
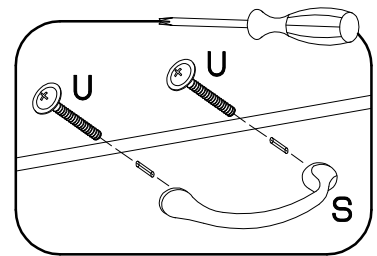
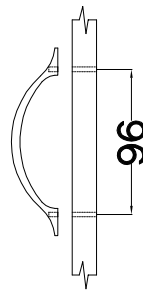
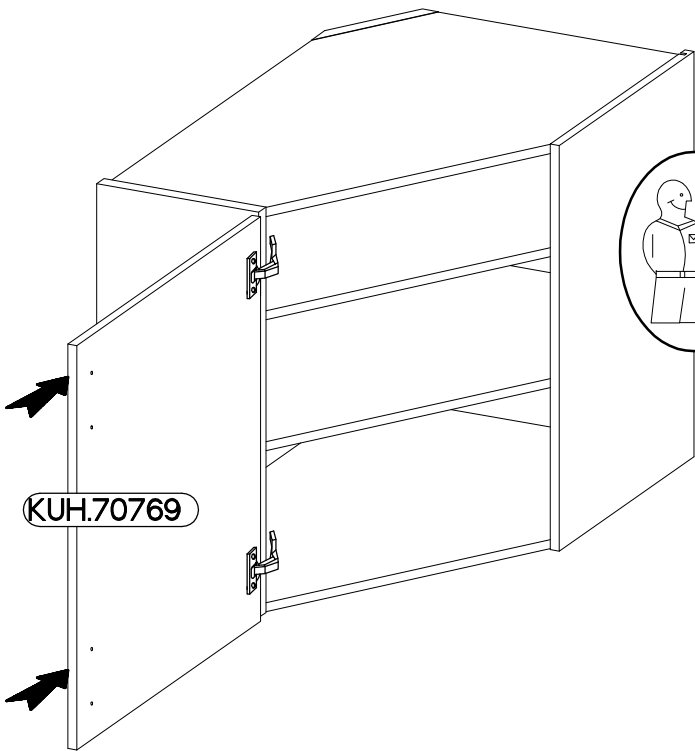
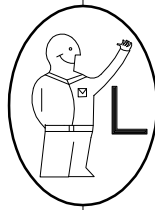
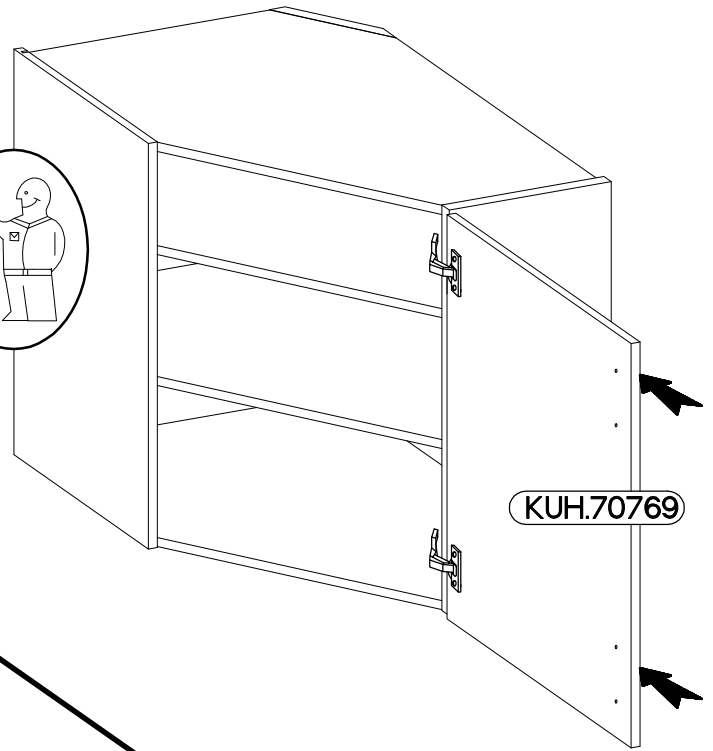
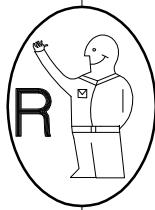
U

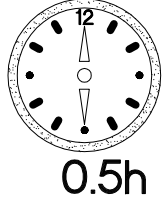
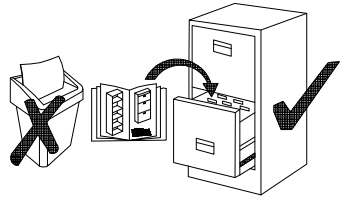
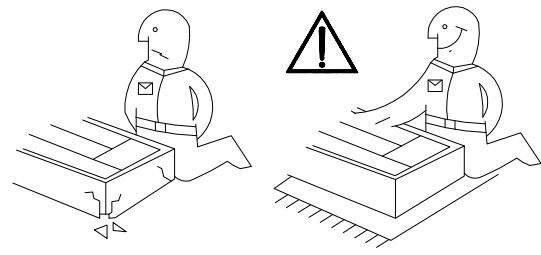
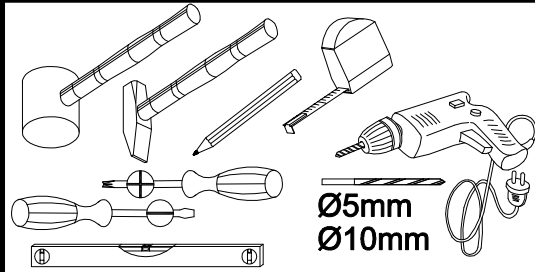
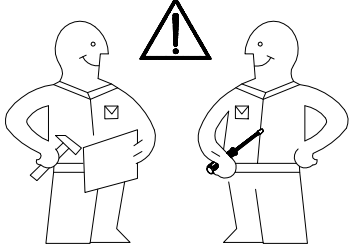
2



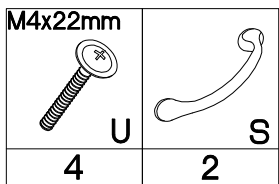
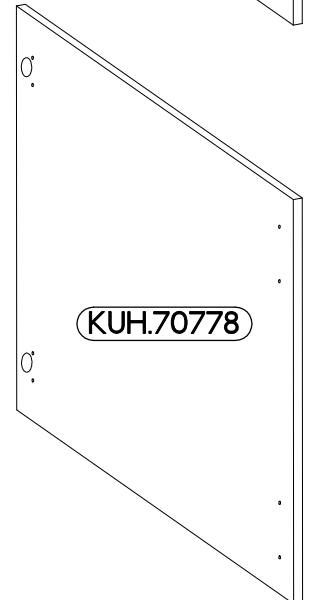
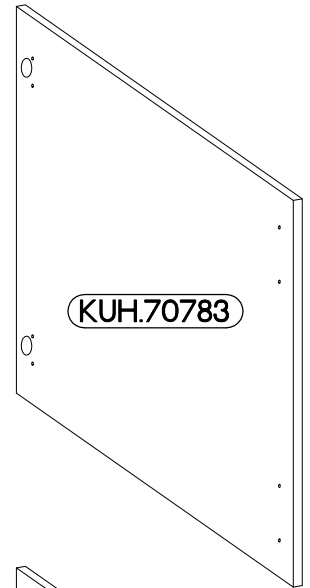
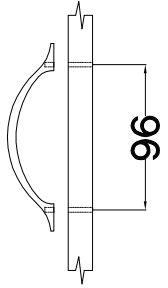
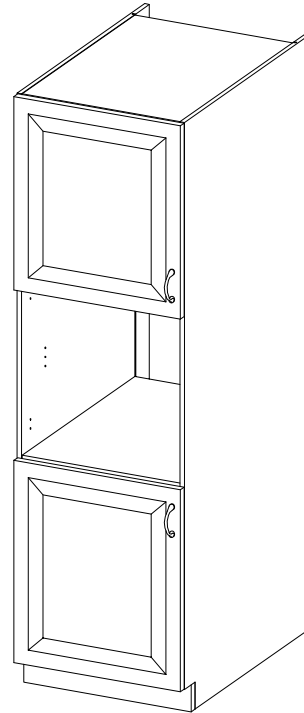
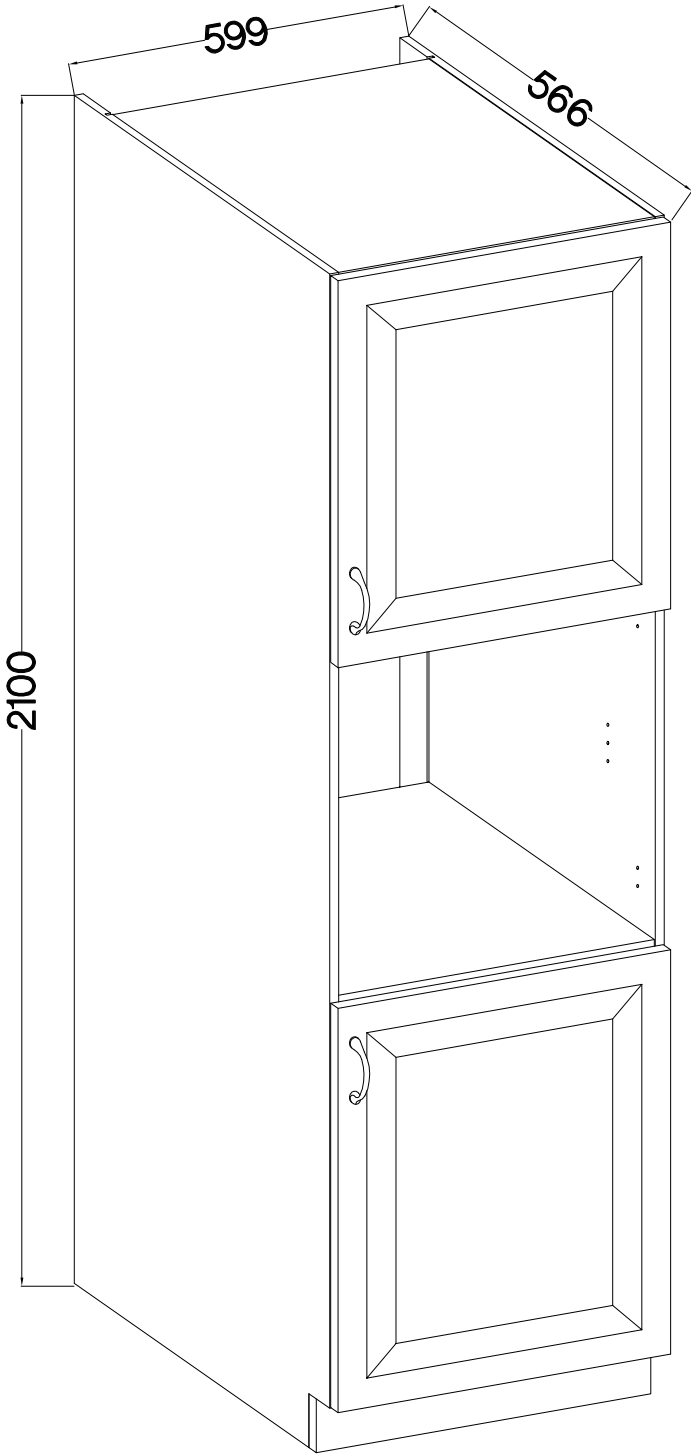
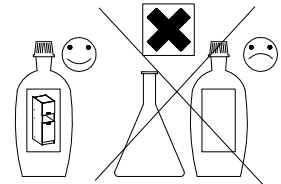
S

1





60 DP-2100 2F
FRONT

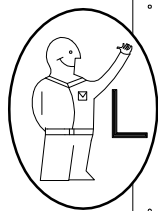


ISM-KUH-01206

1

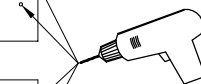
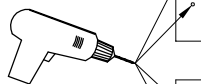
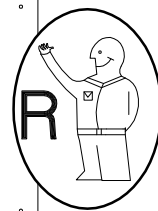
LEFT

RIGHT



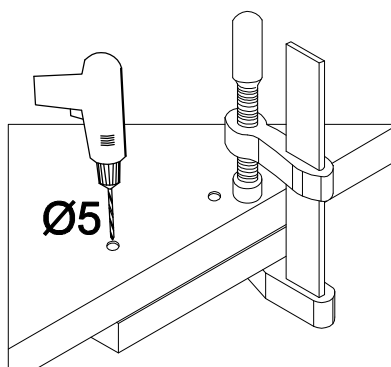
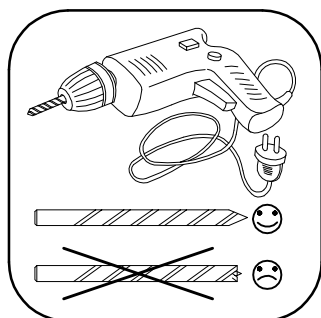
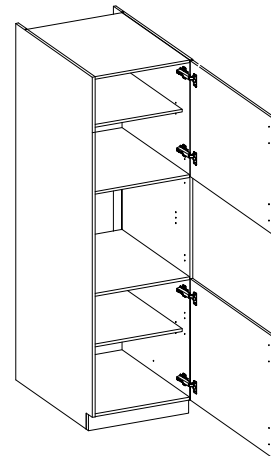
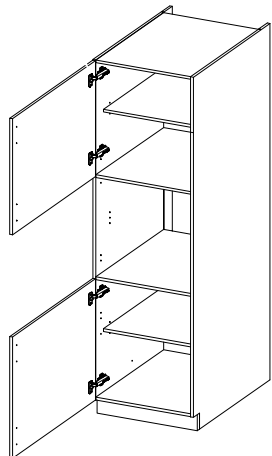
KUH.70783

KUH.70783





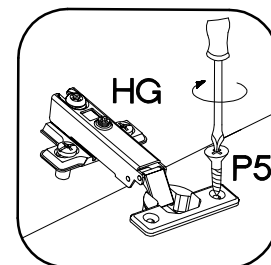
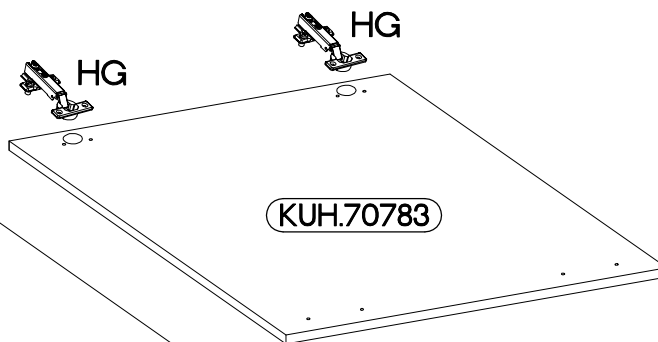
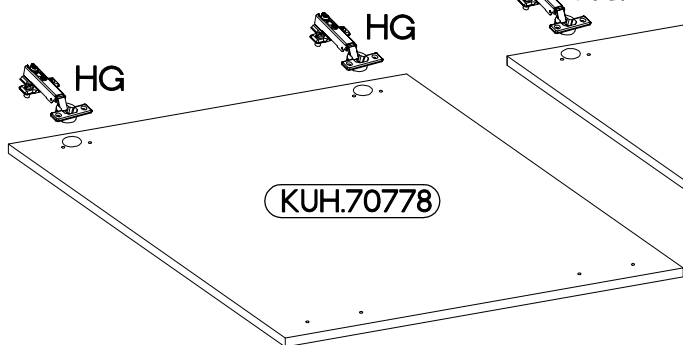
KUH.70778

KUH.70778



2

±35/0mm  HG 4	±3.5x13mm  P5 8
---	---



3

M4x22mm



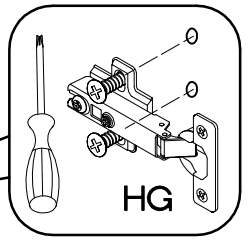
U

4



S

2

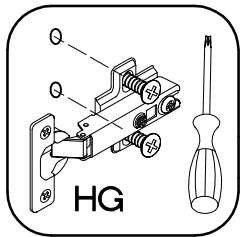


HG



KUH.70783

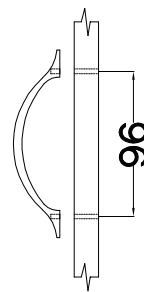
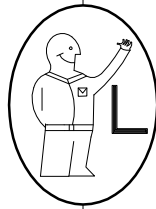
KUH.70778



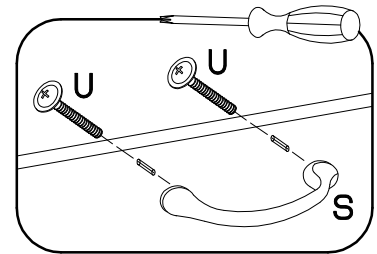
HG

KUH.70783

KUH.70778



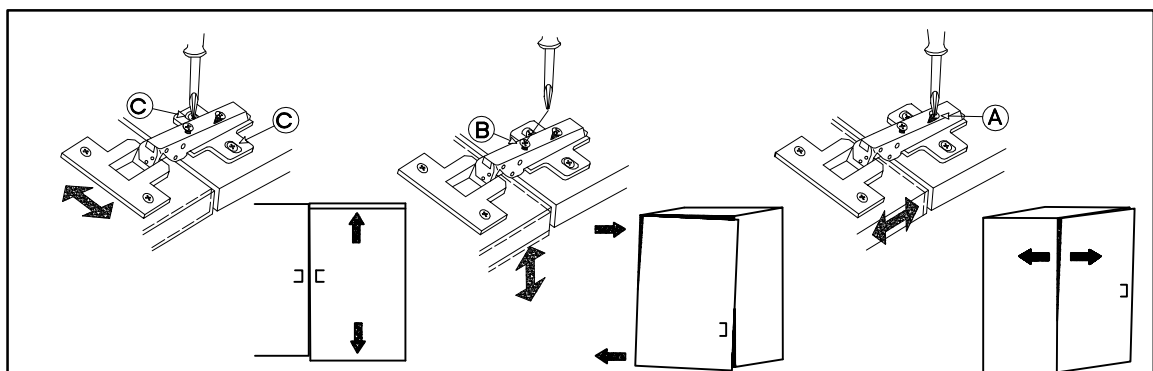
96

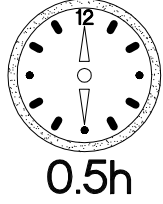
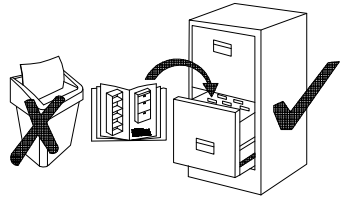
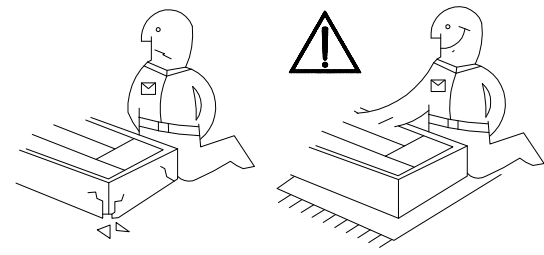
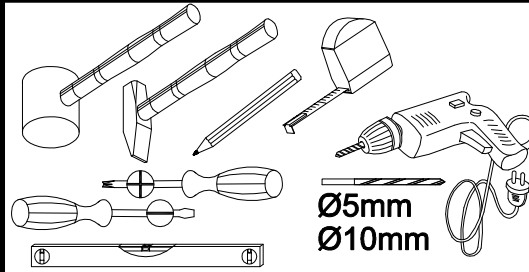
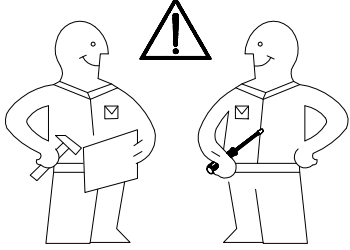


U

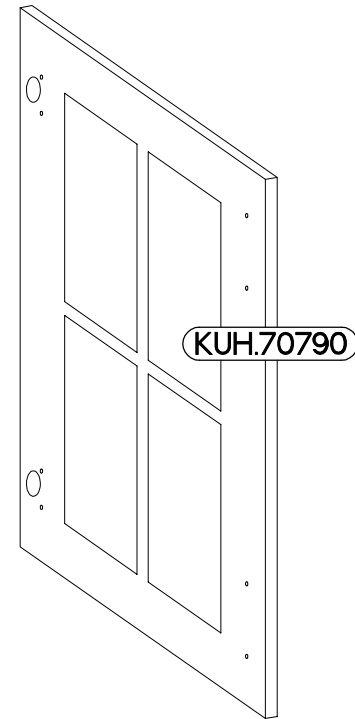
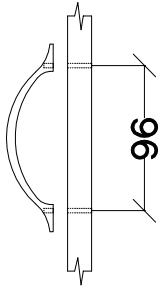
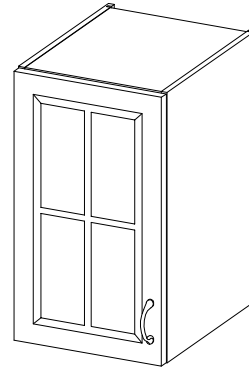
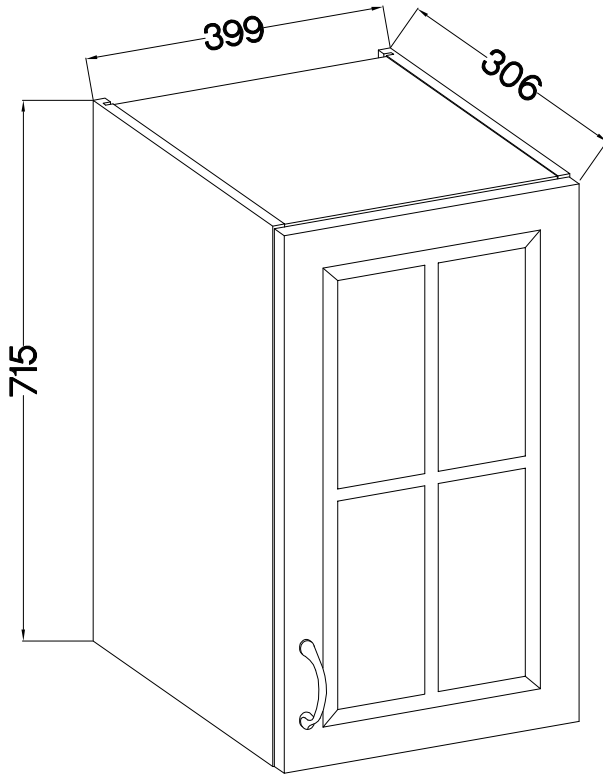
U

S





40 G-72 1F WS
FRONT



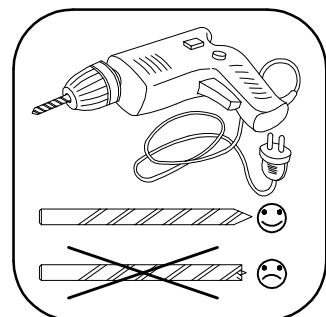
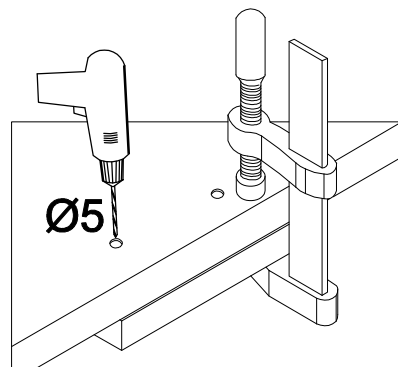
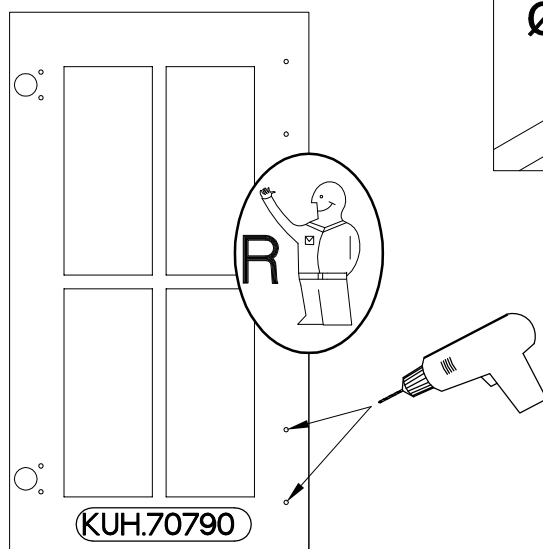
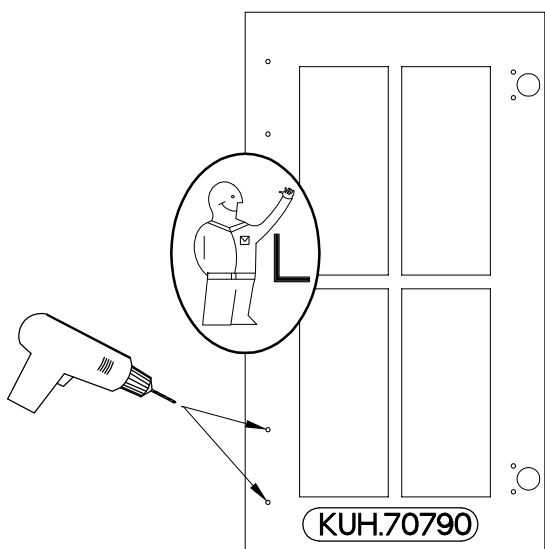
M4x22mm		
	U	S
2		1

ISM-KUH-01210


1

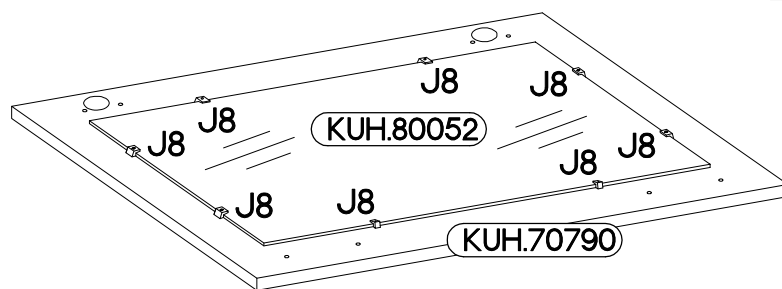
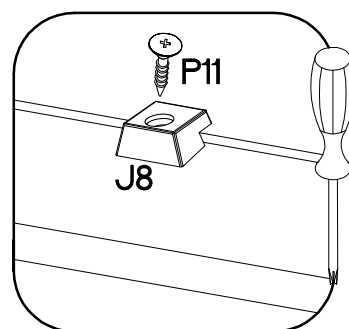
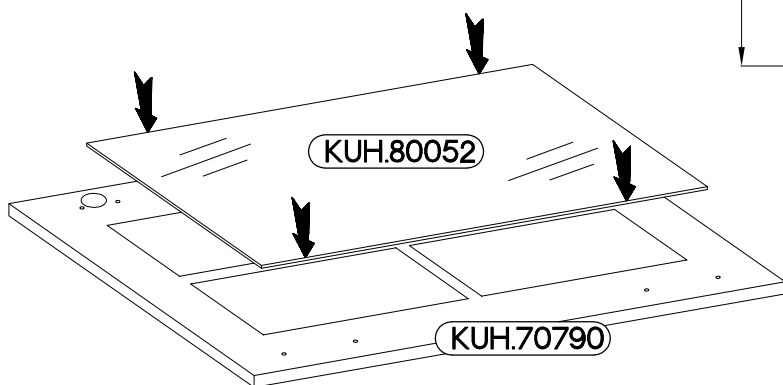
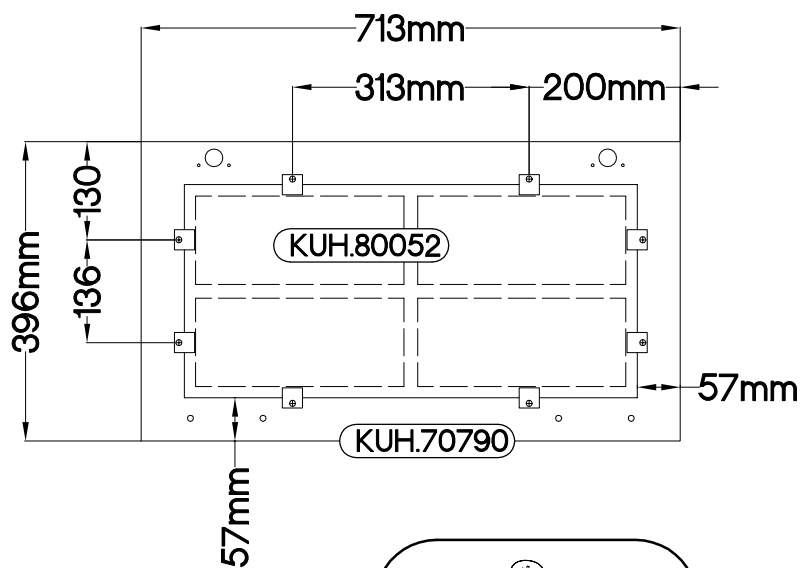
LEFT

RIGHT





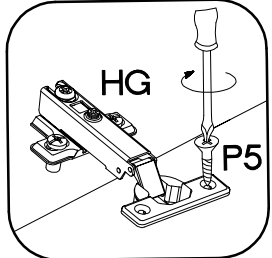
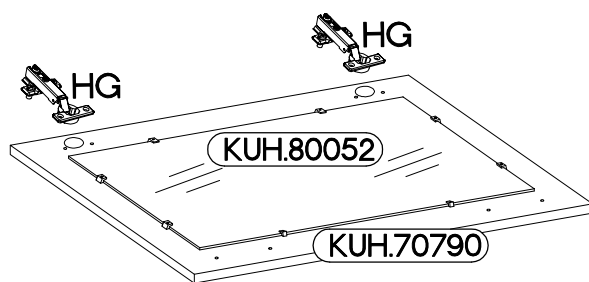
2

	±3.0x16mm
J8	P11
8	8





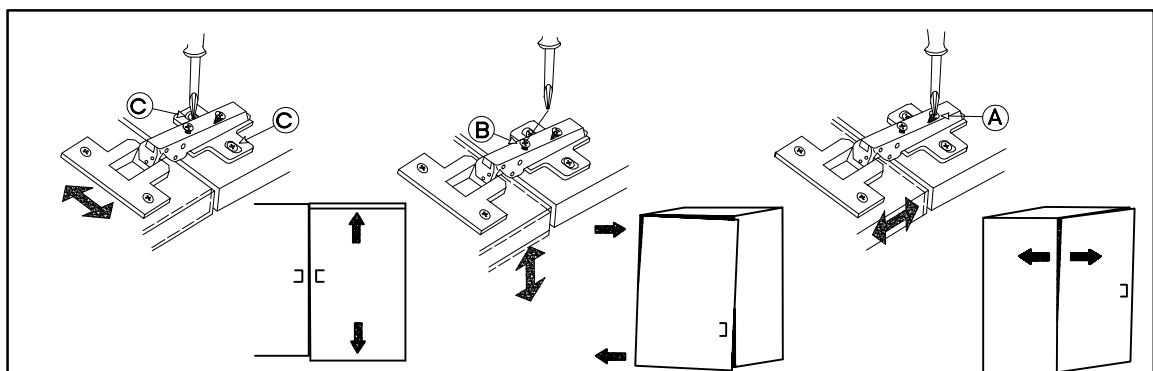
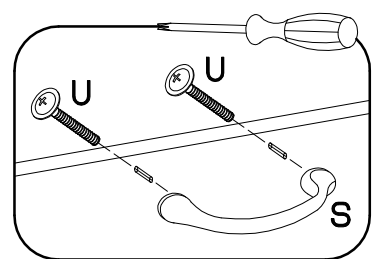
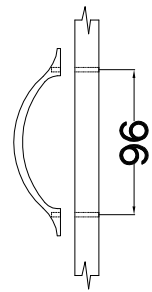
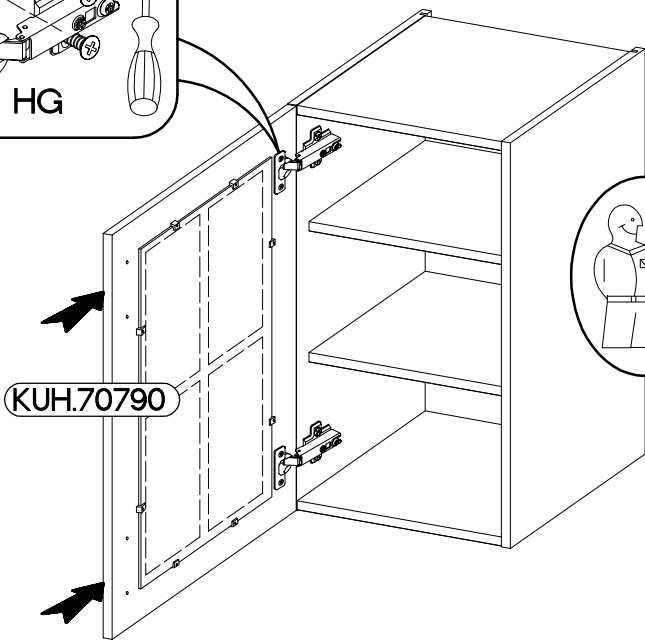
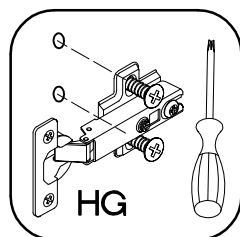
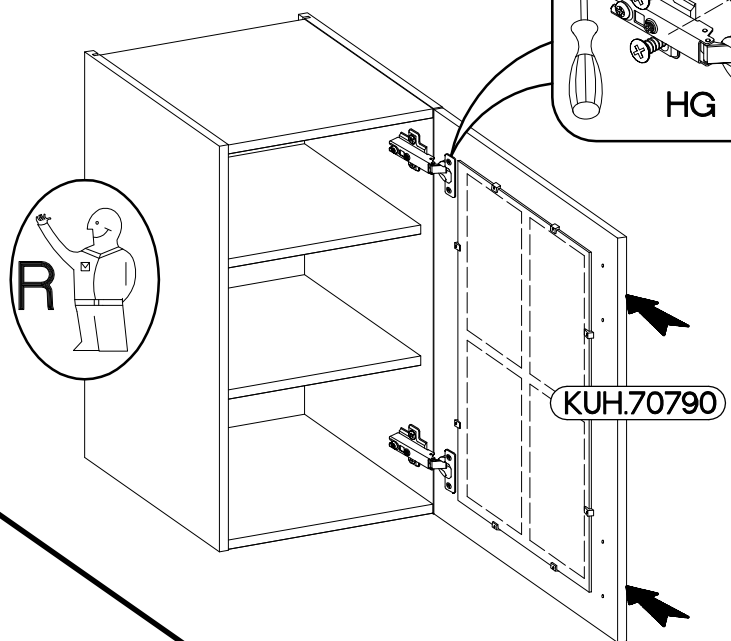
3

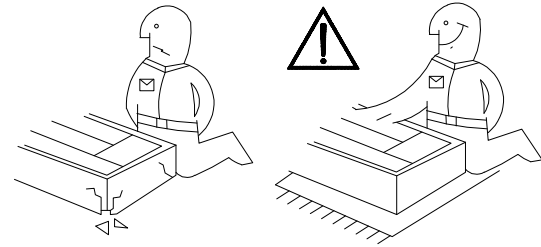
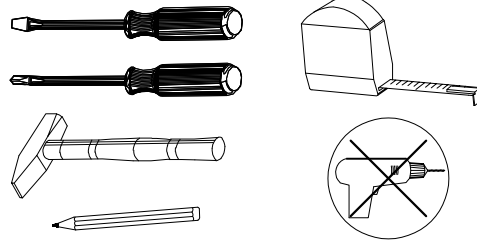
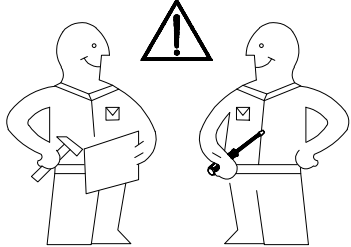
+35/0mm  HG 2	+3.5x13mm  P5 4
--	--



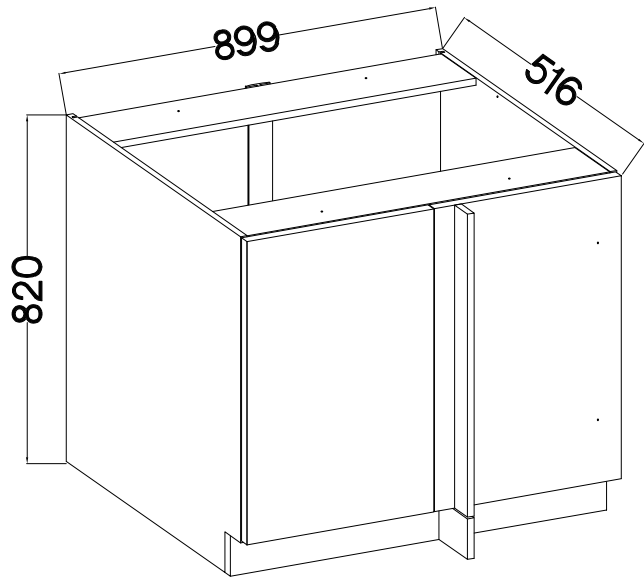
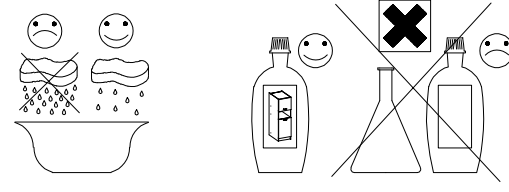
4

M4x22mm  U 2	 S 1
--	---

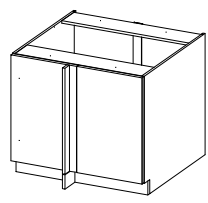




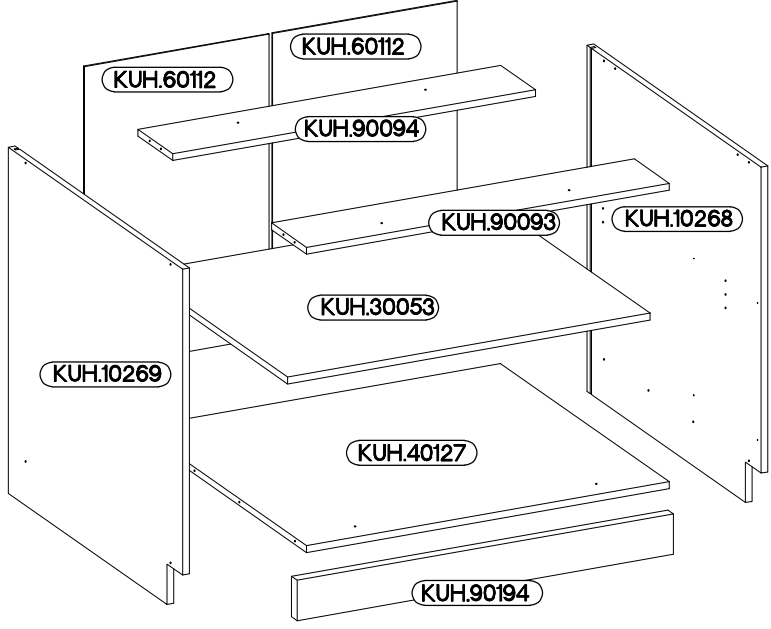
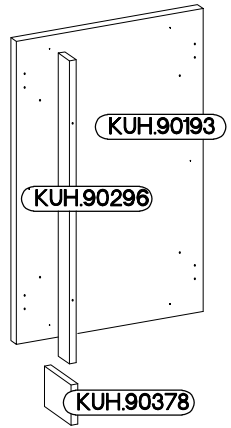
105 ND BB



max. 10kg
 KUH.30053
 KUH.40127

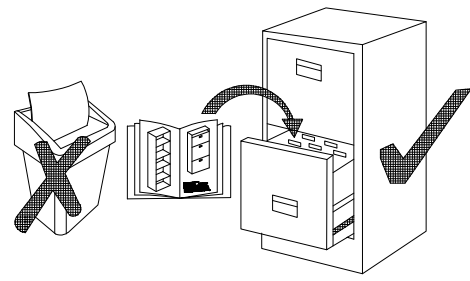


Ersatzteil Nummer	Dimension
KUH.10268	815x500x16
KUH.10269	815x500x16
KUH.30053	866x430x16
KUH.40127	867x485x16
KUH.60112 x2	713x441x2,5
KUH.90296	713x32x16
KUH.90378	77x95x16
KUH.90093	867x100x16
KUH.90094	867x100x16
KUH.90193	713x446x16
KUH.90194	899x95x16



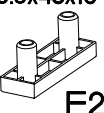
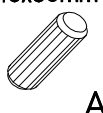
+8x30mm	6,4 x 50mm	+6.4x35mm
A	B	B1
8	8	2

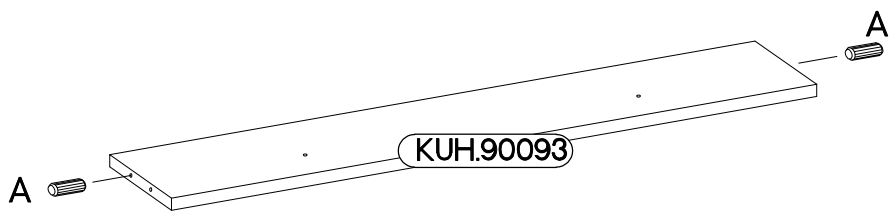
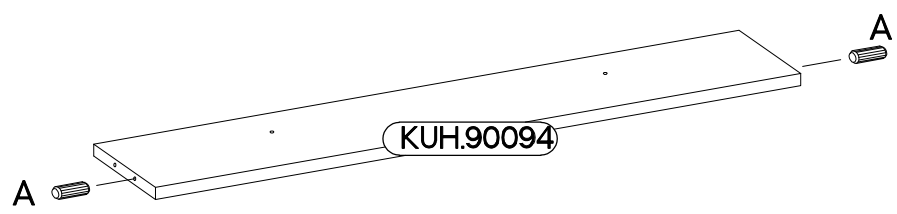
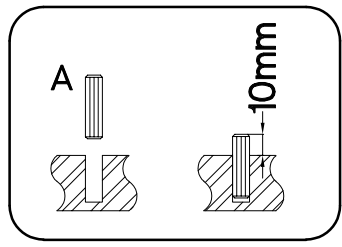
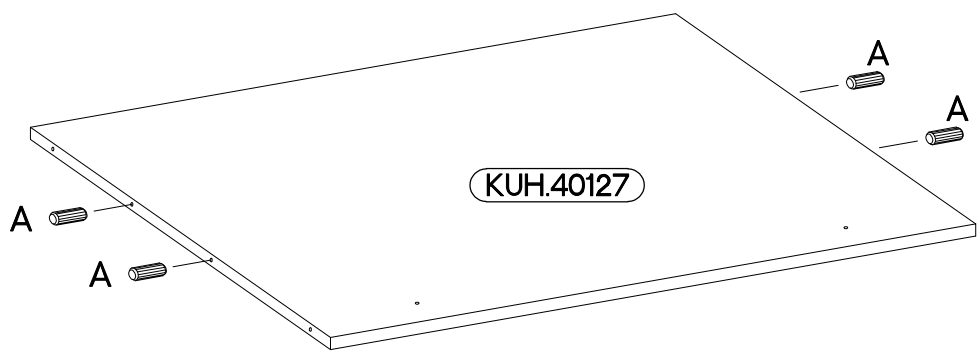
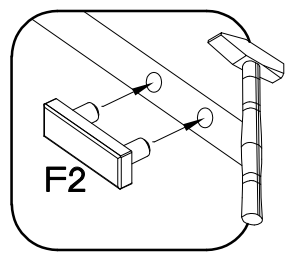
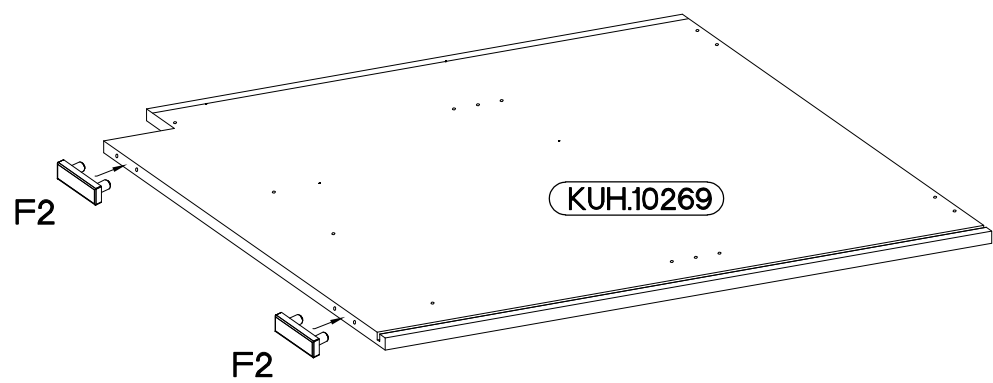
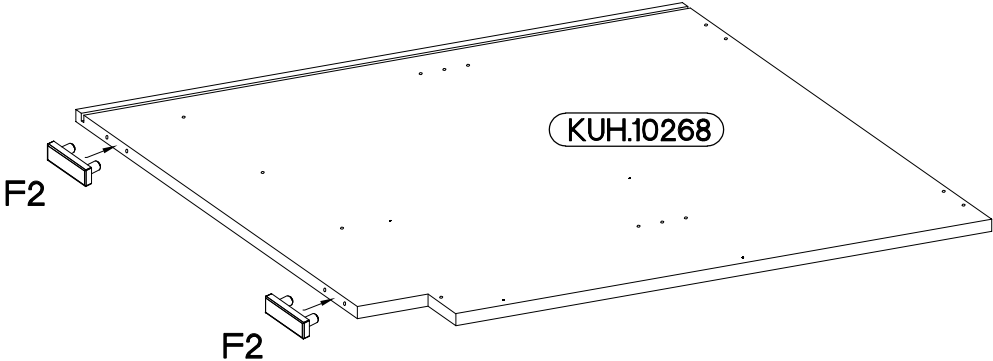
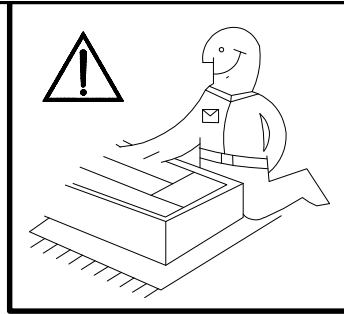
E1	E9	F2	HG6	J	L1	O
8	2	4	2	4	1	1
P1	P4	P5	P7	R3	T3	T10
10	2	12	15-20	4	5	2



ISM-KUH-02003

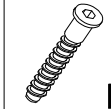
1

6.5x48x16  F2 4	+8x30mm  A 8
--	---



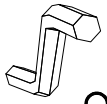
2

6,4 x 50mm



B

4



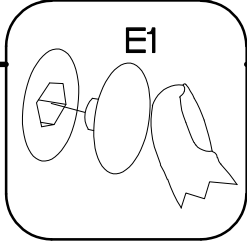
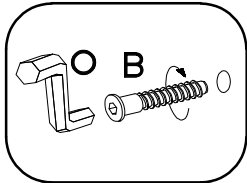
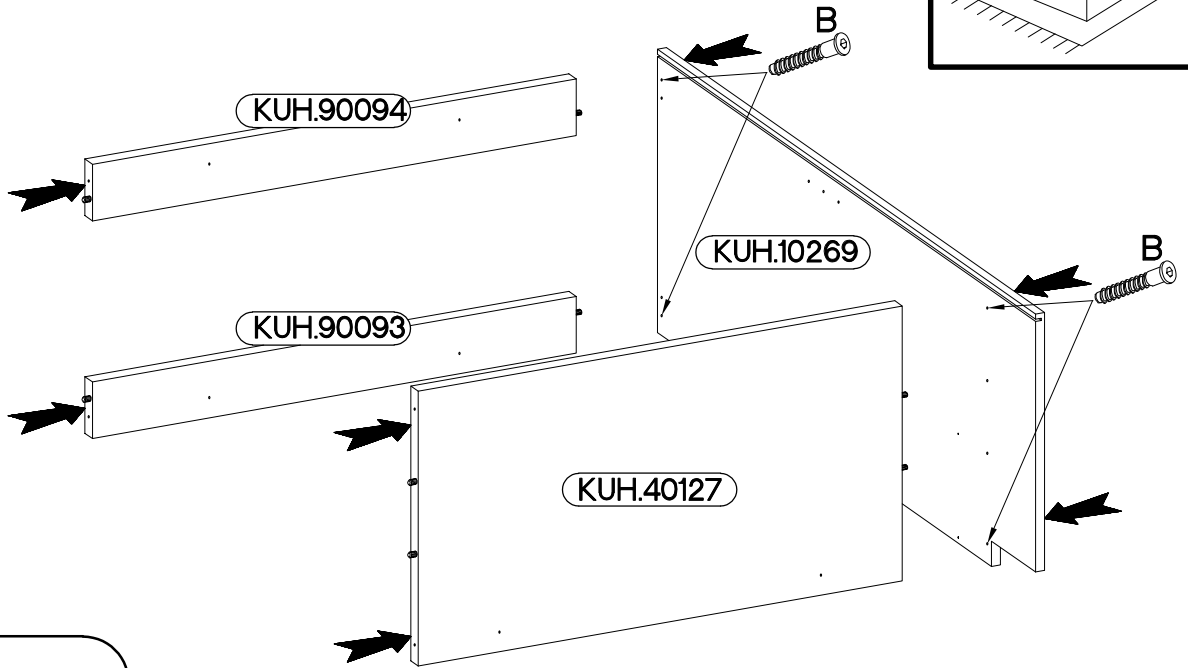
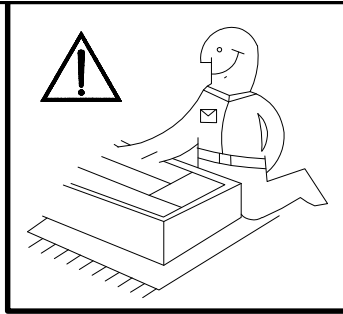
O

1

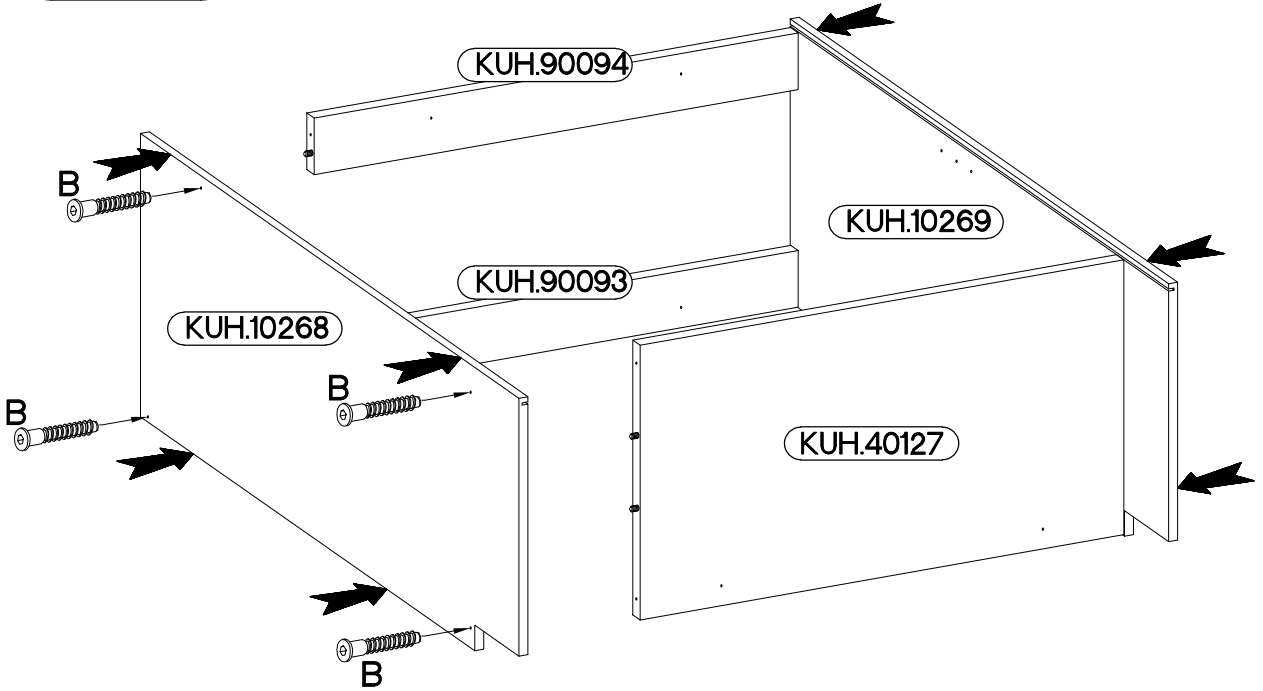


E1

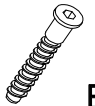
4



3

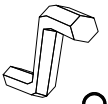


6,4 x 50mm



B

4



O

1



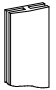
E1

4

6,4 x 50mm

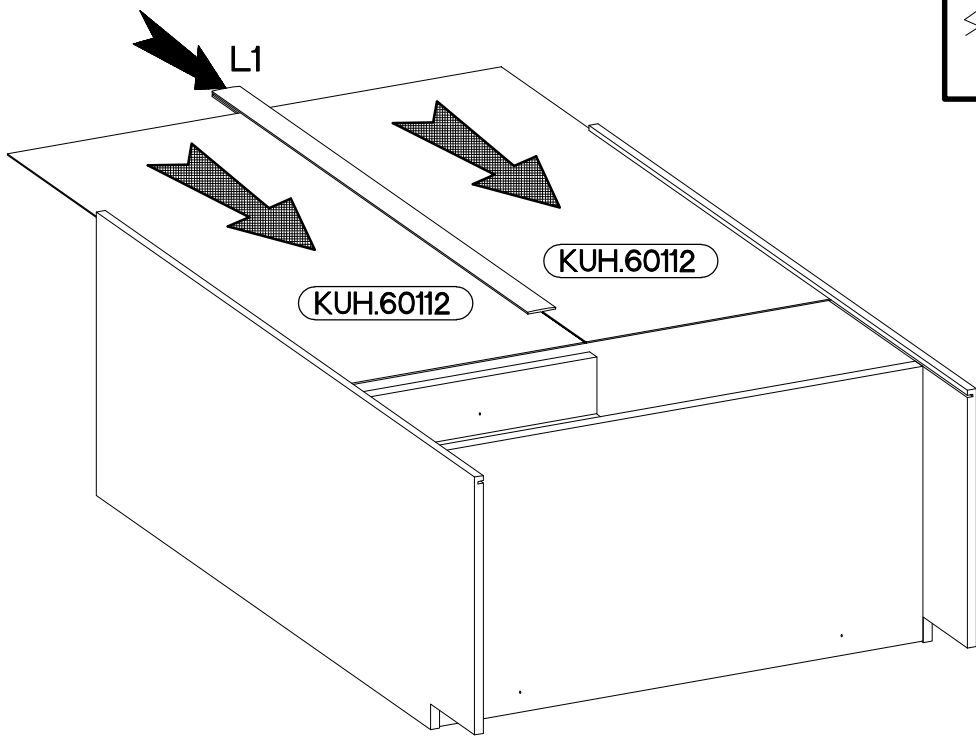
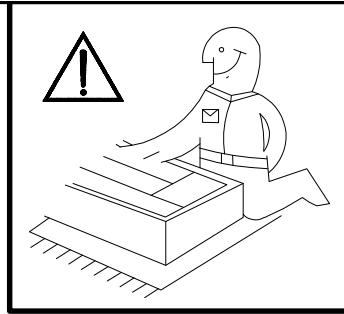
4

L1=680mm




L1

1



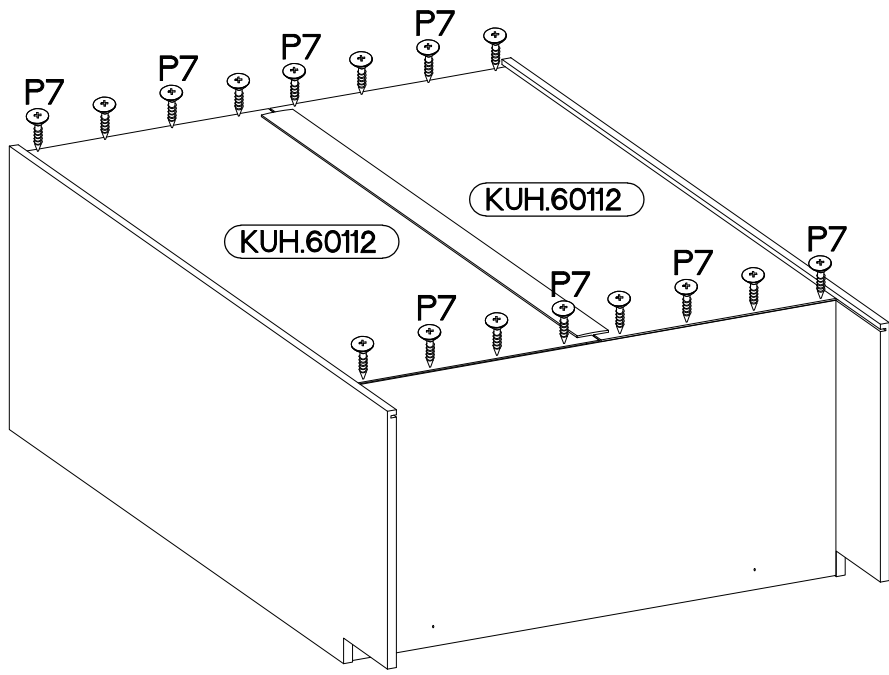
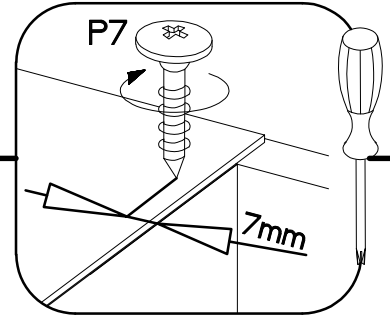
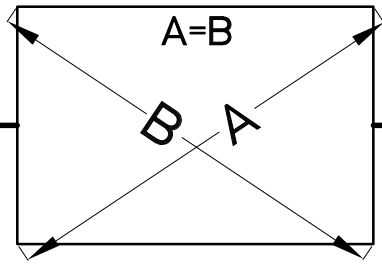
5

3.0x20mm





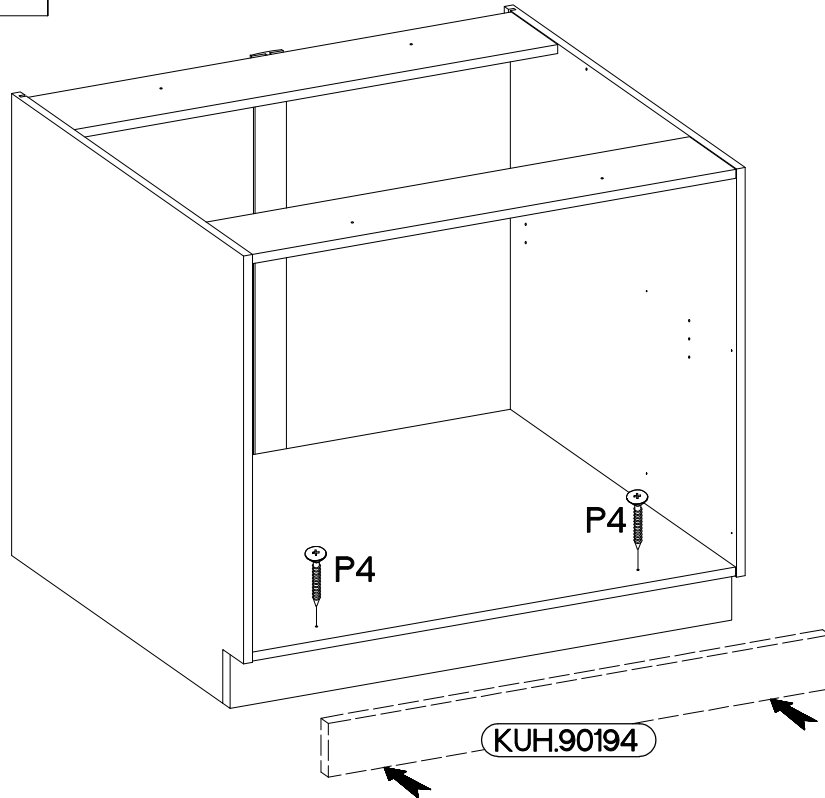
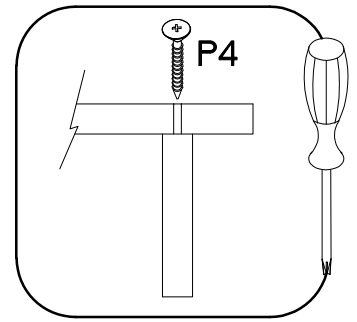
P7

15-20

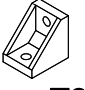


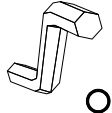


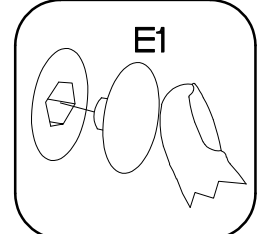
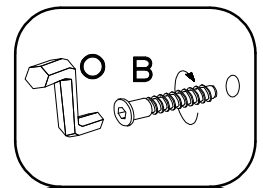
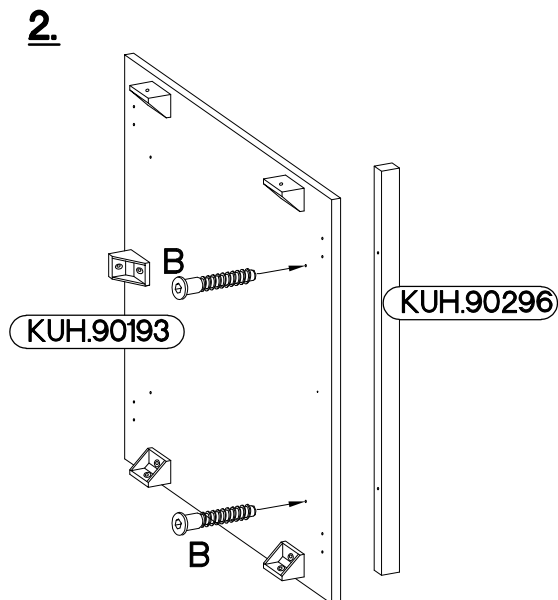
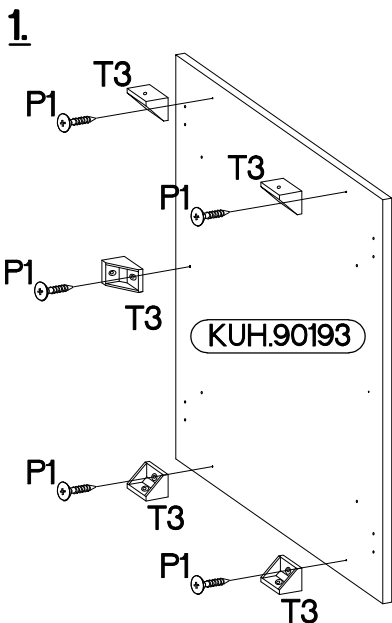
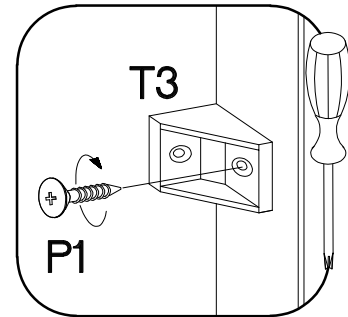
6

$\pm 4.0 \times 45 \text{mm}$  P4 2	 E9 2
--	---



7

 T3 5	$\pm 4.0 \times 16 \text{mm}$  P1 5	$\pm 6.4 \times 35 \text{mm}$  B1 2	 O 1
--	---	---	---



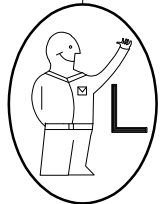
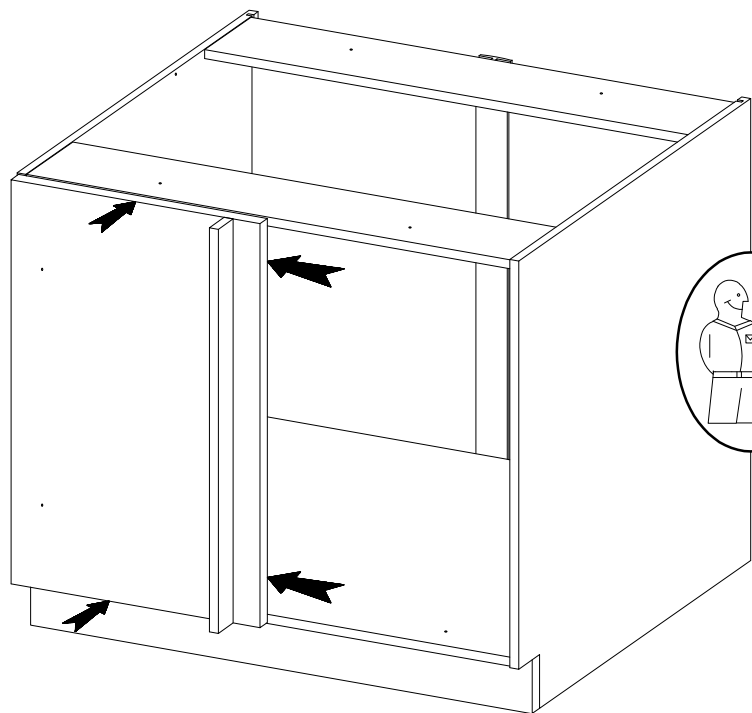
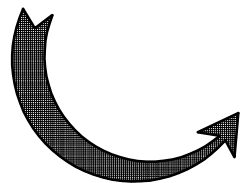
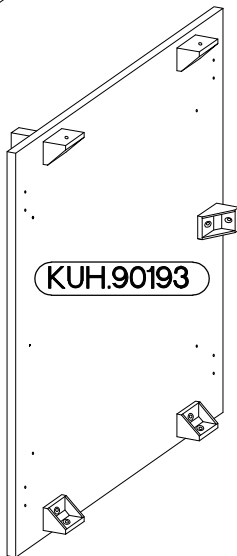
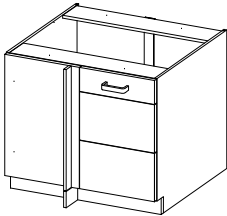
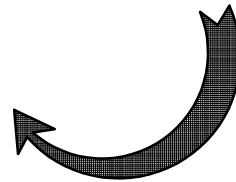
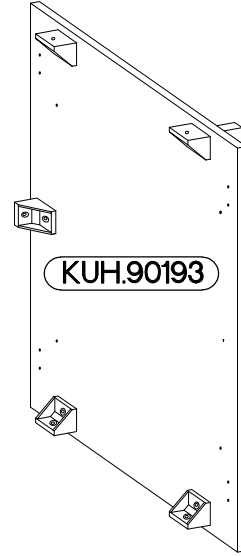
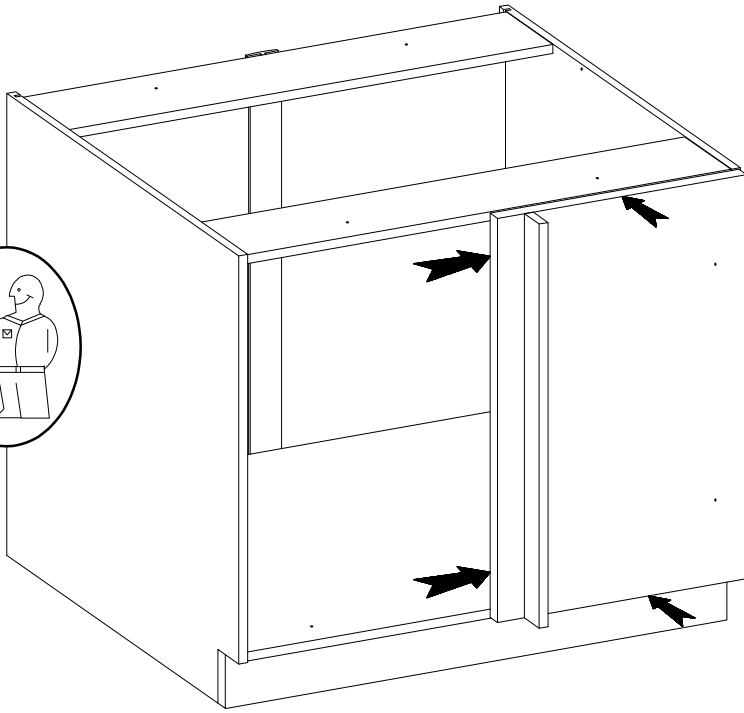
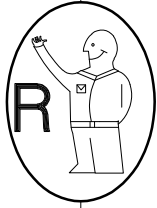
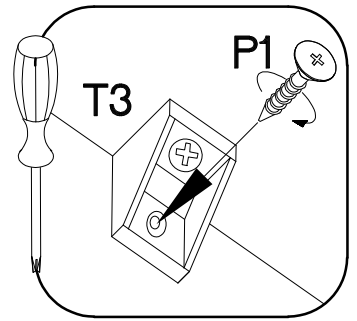
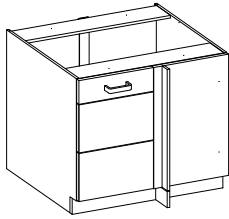
8

+4.0x16mm



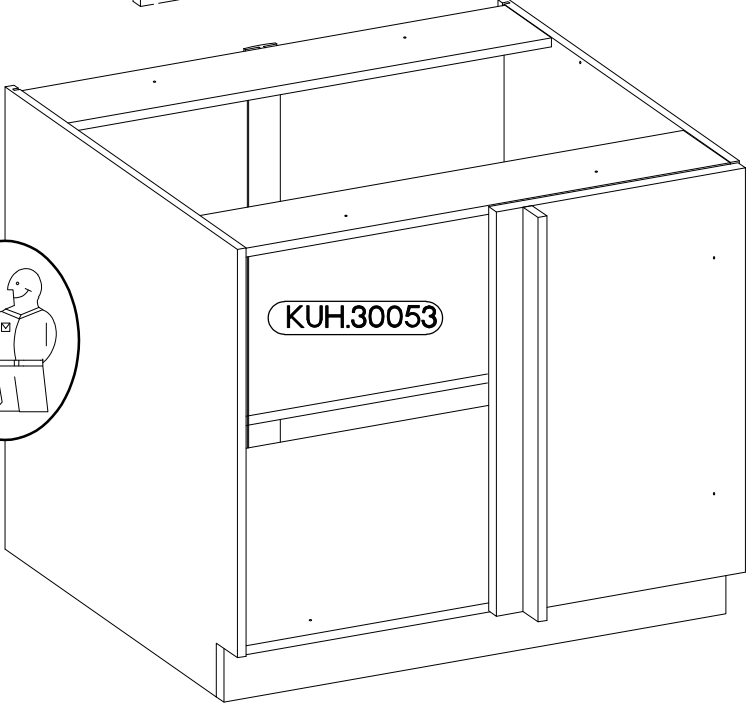
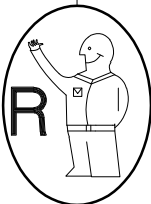
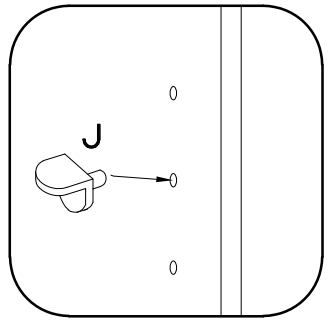
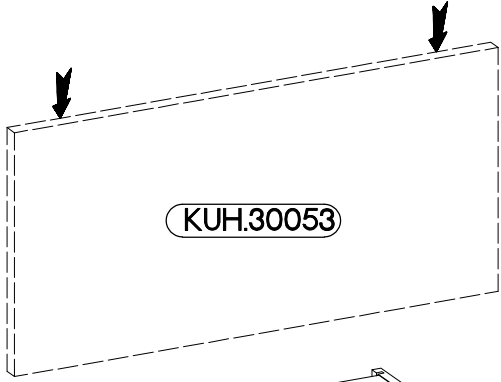
P1

5



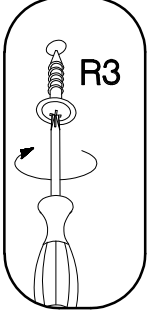
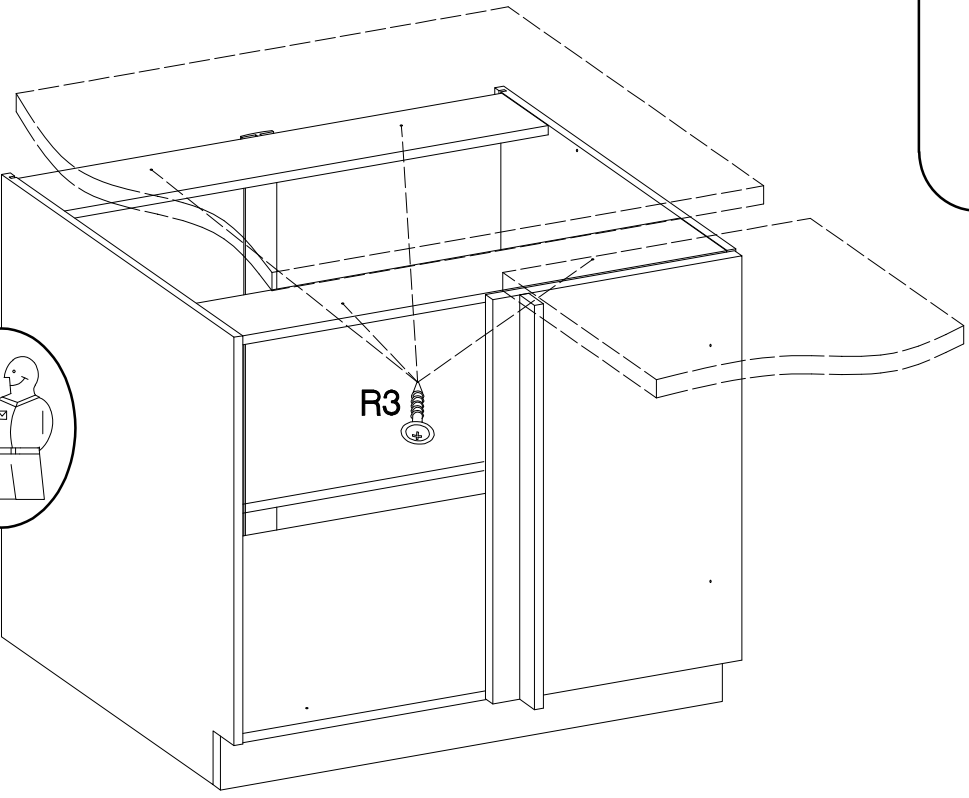
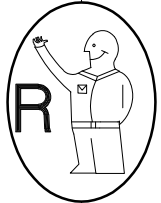
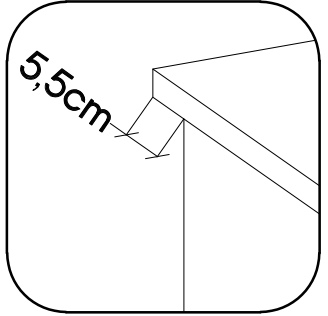
9

±5/19mm
J
4





10

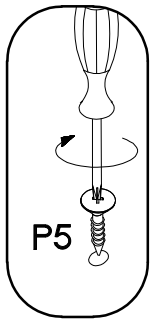
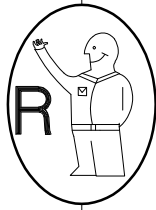
±4.0x35mm
R3
4



11

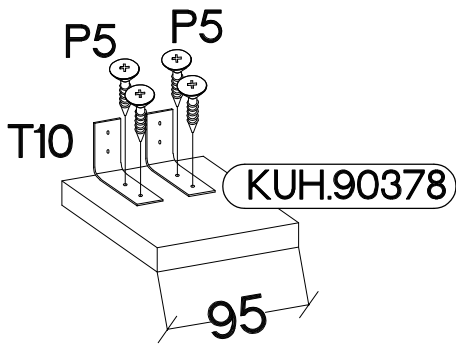
 T10 2	 P5 8
--	---

±3.5x13mm

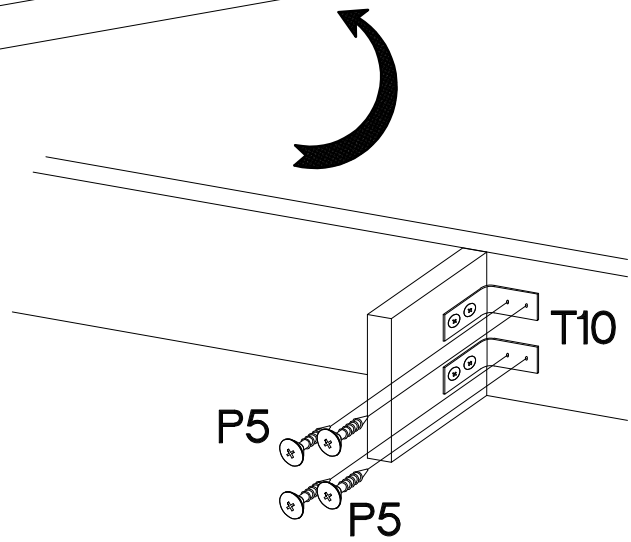


P5

1.

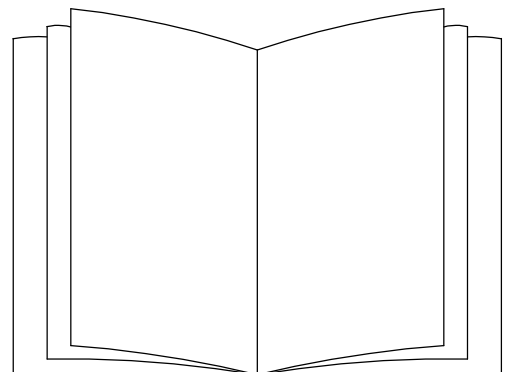
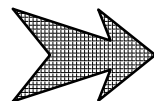
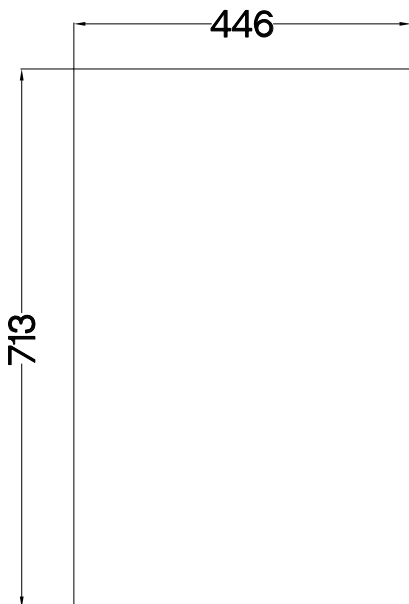


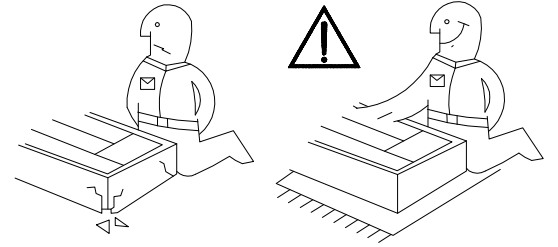
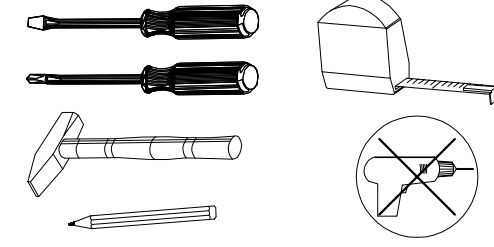
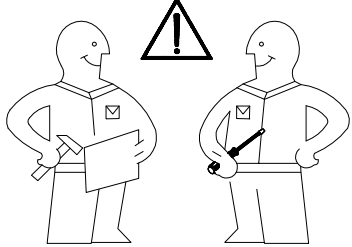
2.



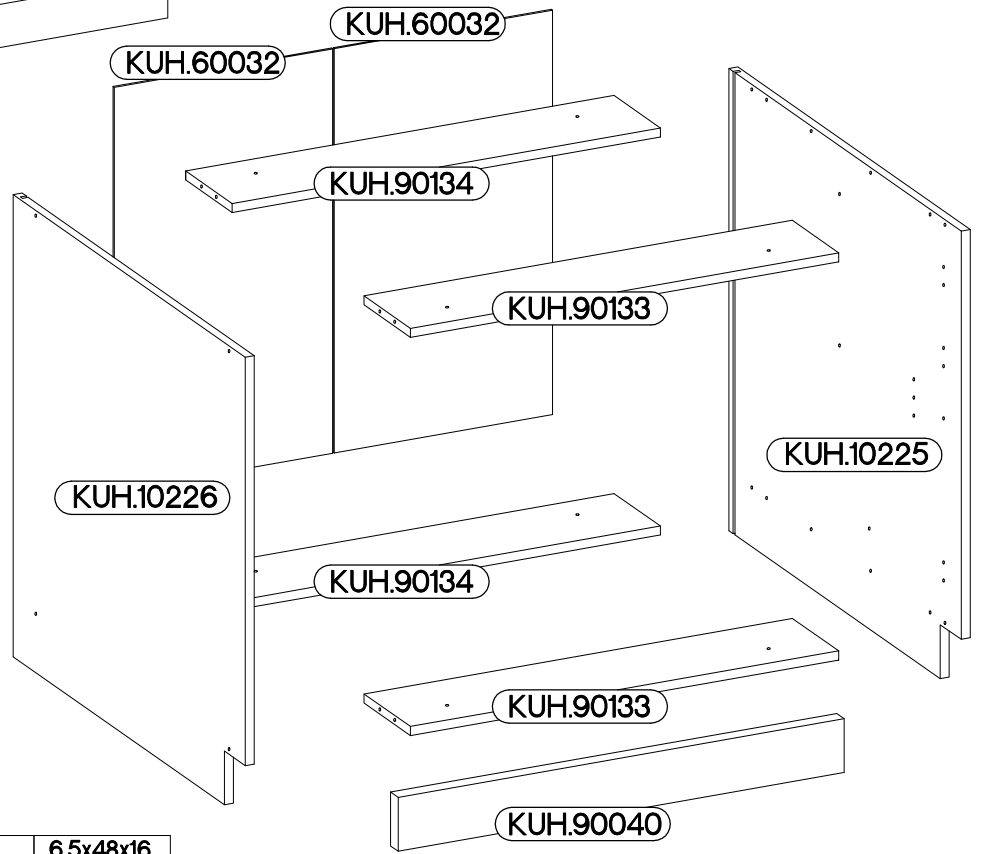
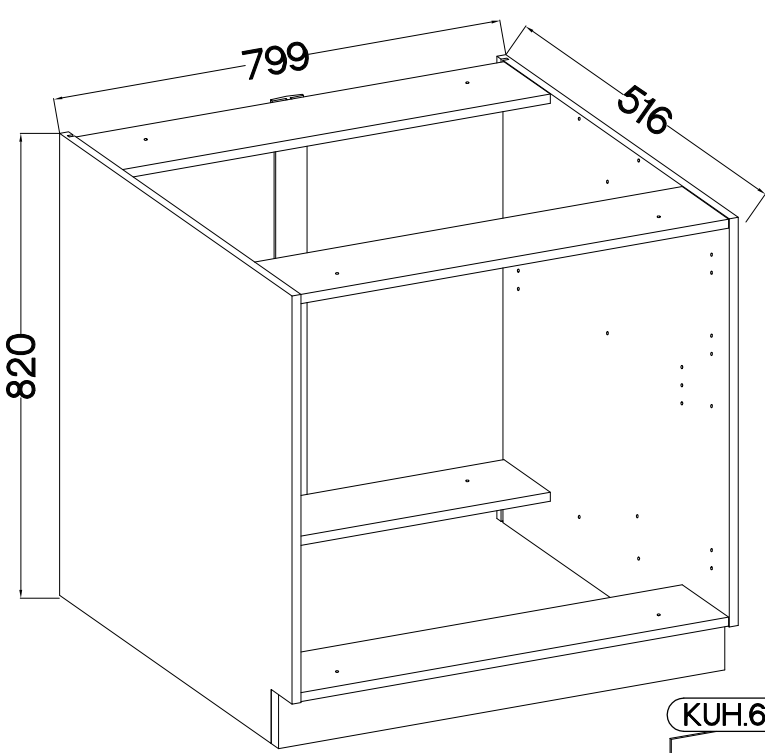
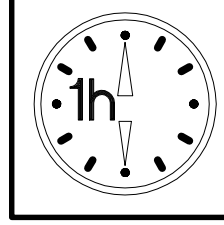
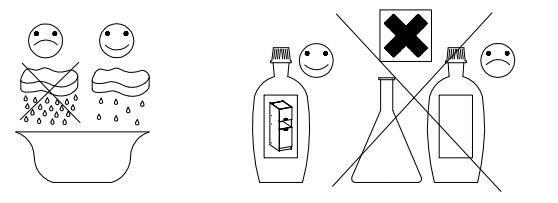
12

FRONT

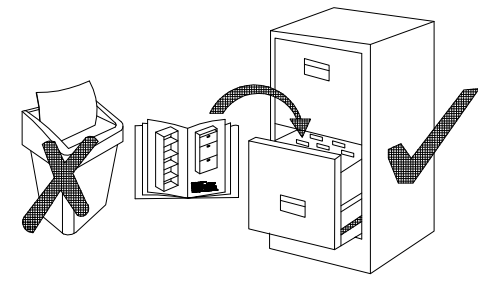




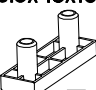
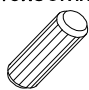
80 D 3S BB Premium Box

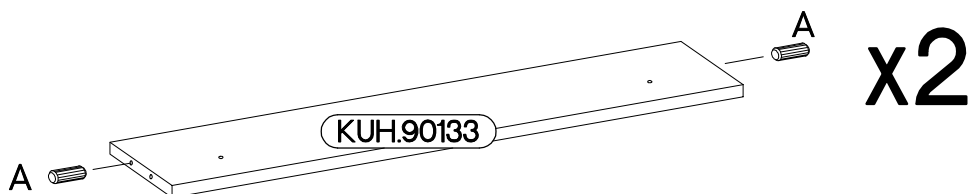
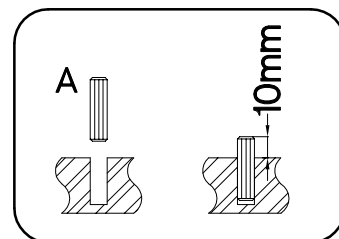
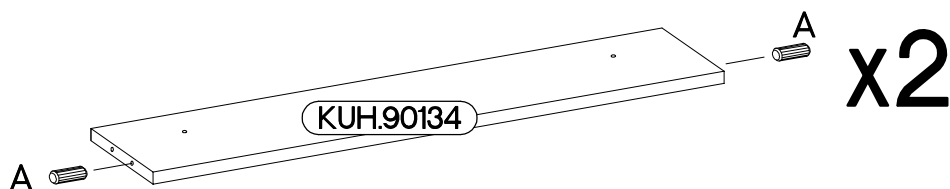
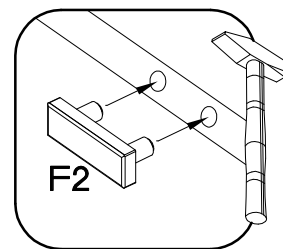
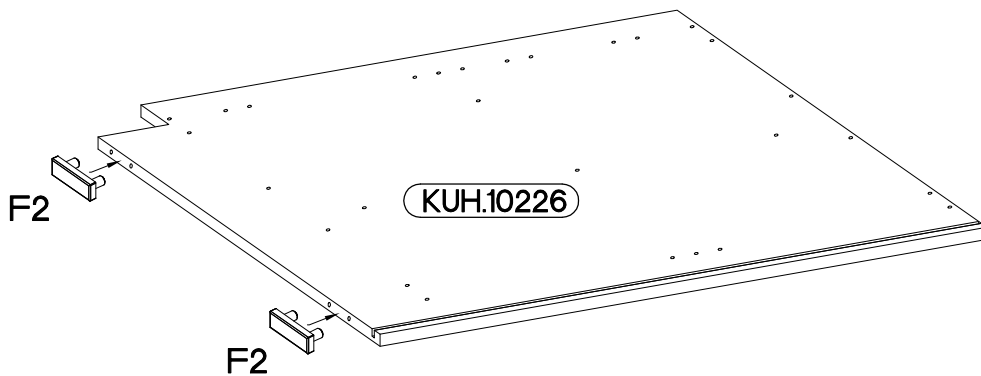
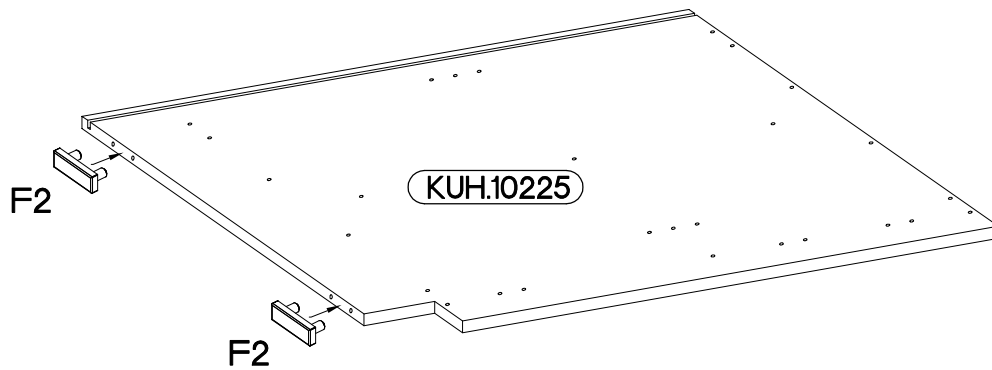
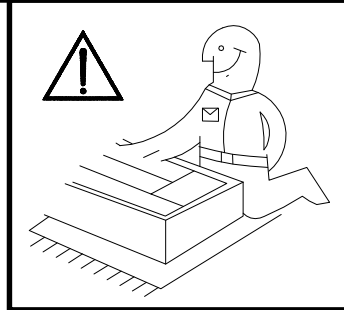


+8x30mm A	6,4 x 50mm B	 E1	 E9	6.5x48x16 F2
8	8	8	2	4
L1=680mm L1	 O	+4.0x45mm P4	+3.0x20mm P7	+4.0x35mm R3
1	1	2	10-15	4



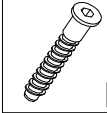
1

6.5x48x16  F2 4	+8x30mm  A 8
--	---



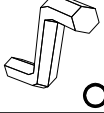
2

6,4 x 50mm



B

4



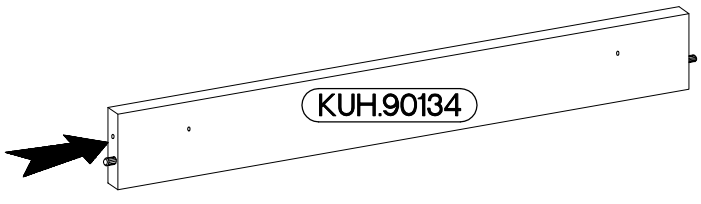
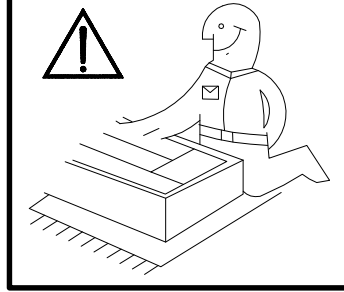
O

1

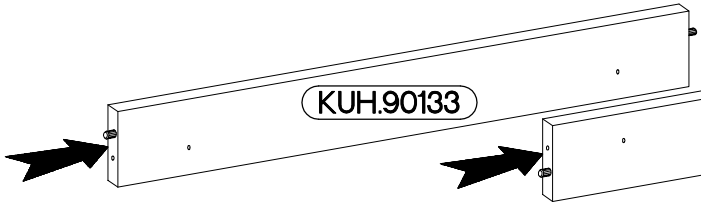


E1

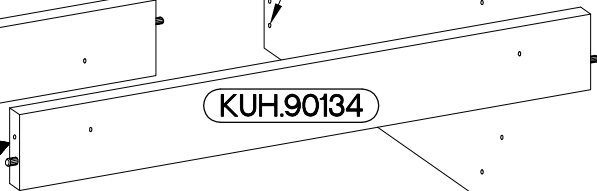
4



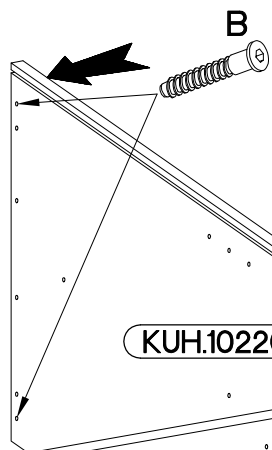
KUH.90134



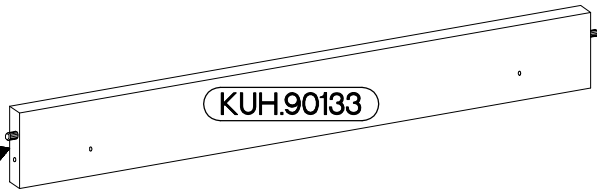
KUH.90133



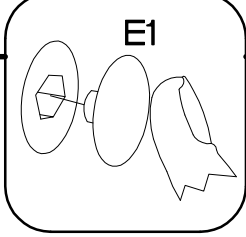
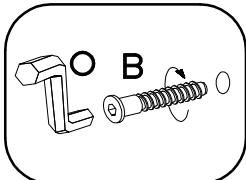
KUH.90134



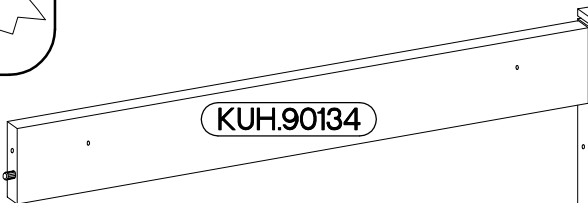
KUH.10226



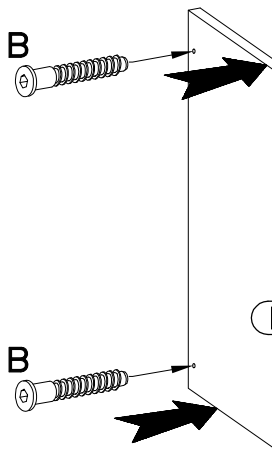
KUH.90133



3



KUH.90134



B

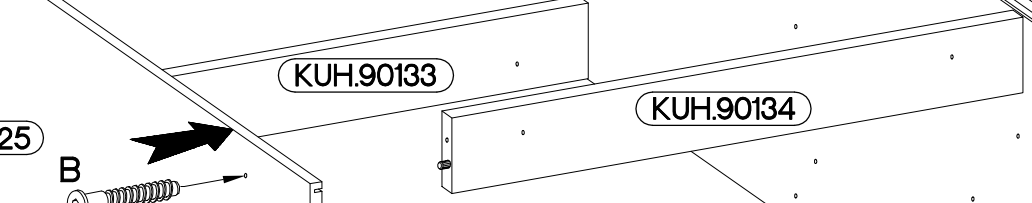
B

B

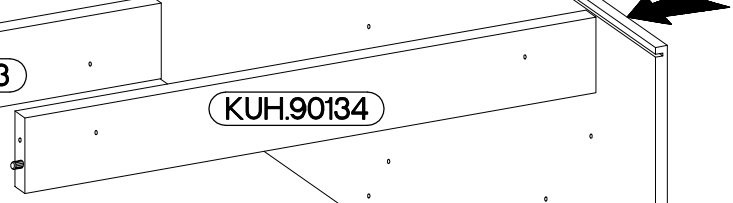
B

B

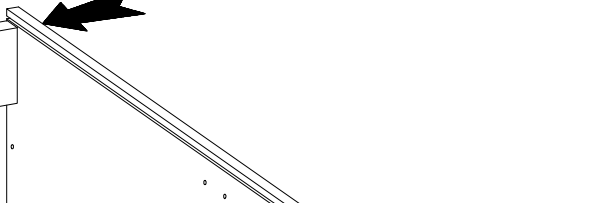
B



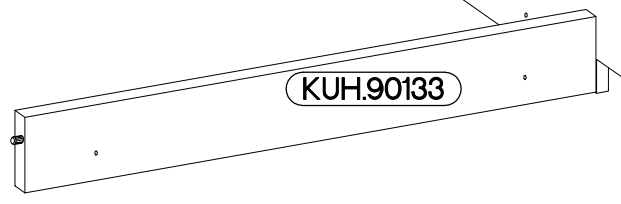
KUH.90133



KUH.90134

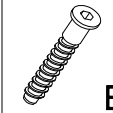


KUH.10226



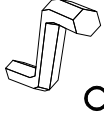
KUH.90133

6,4 x 50mm



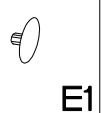
B

4



O

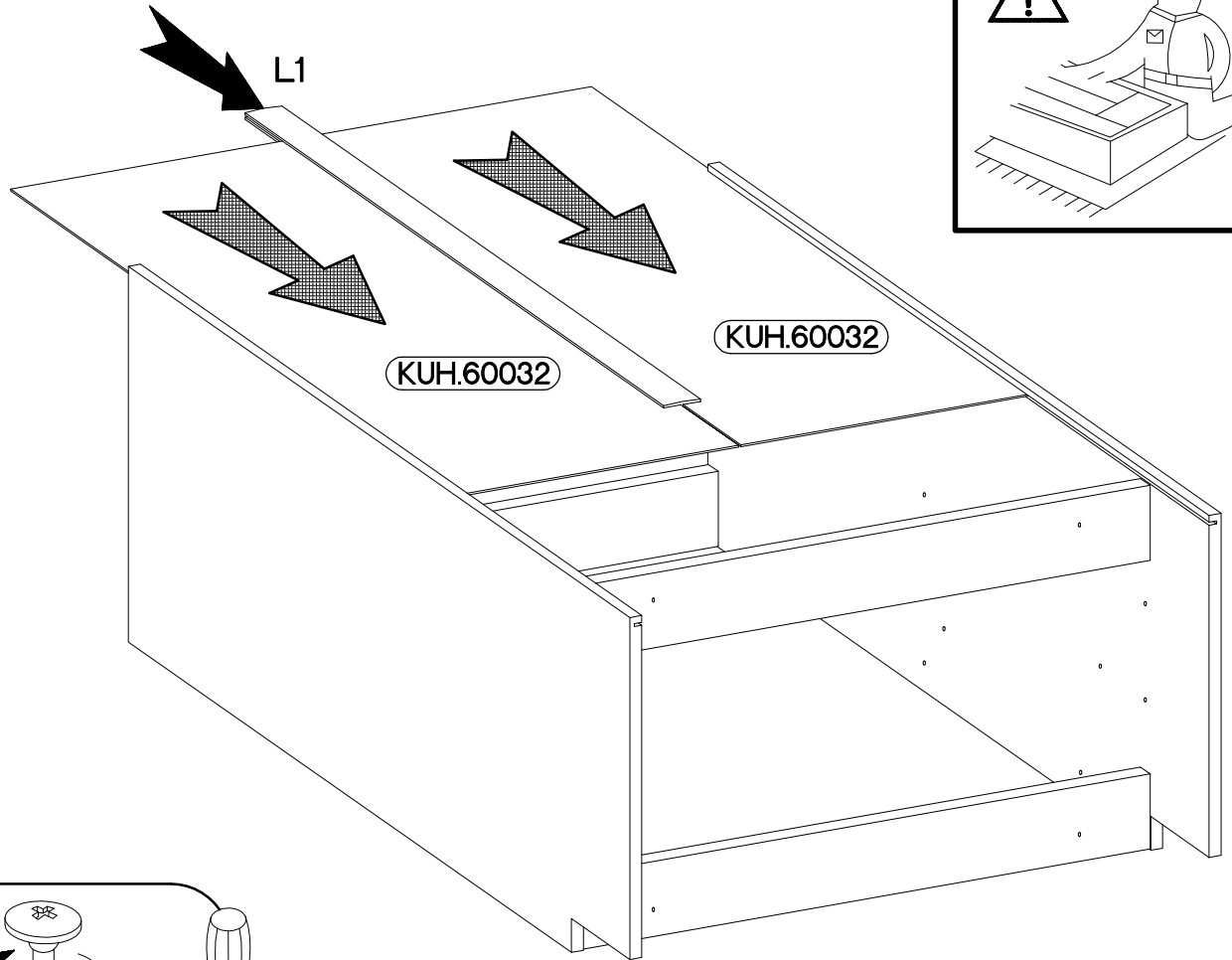
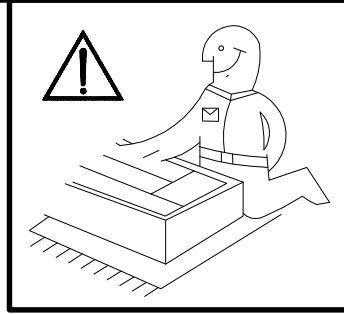
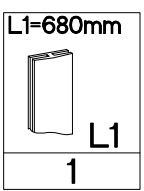
1



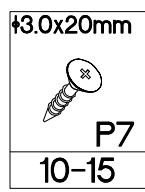
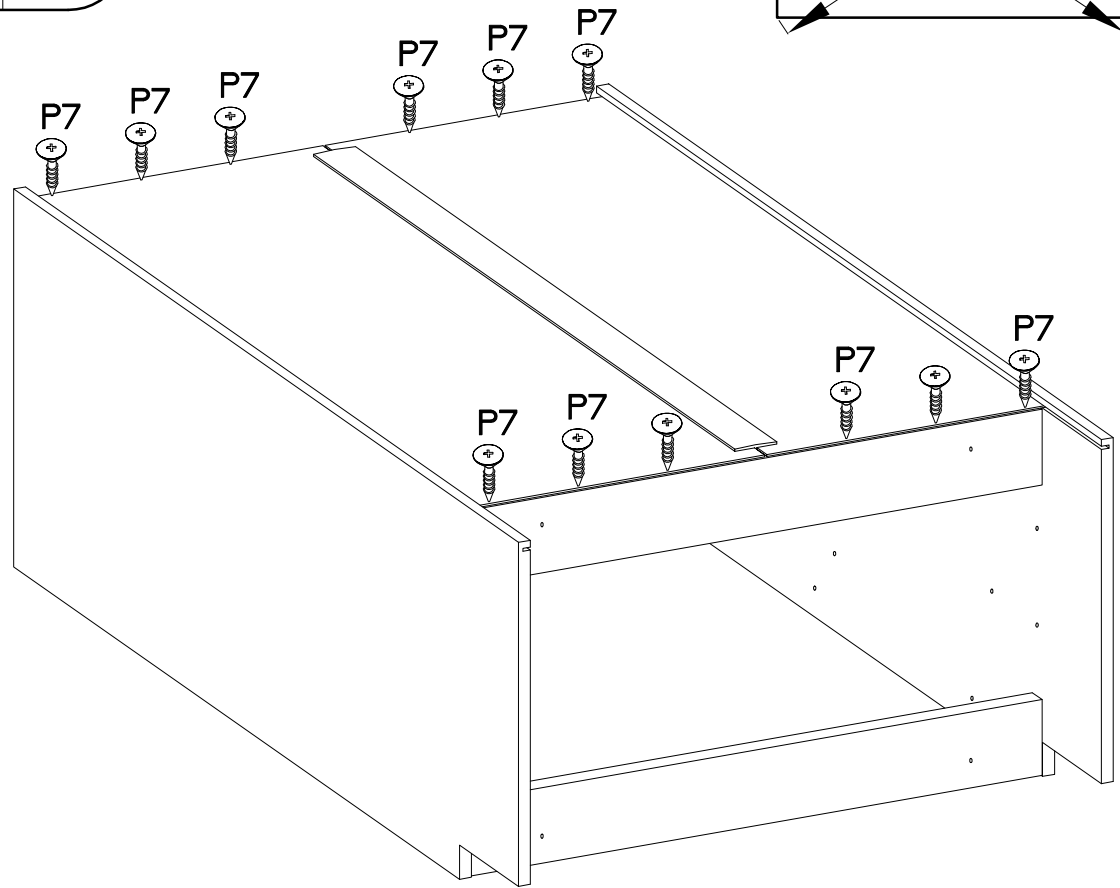
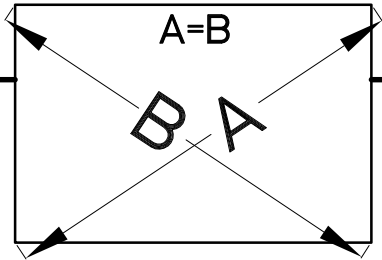
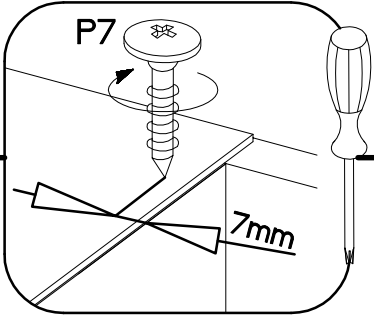
E1

4

4



5



6

4.0x45mm



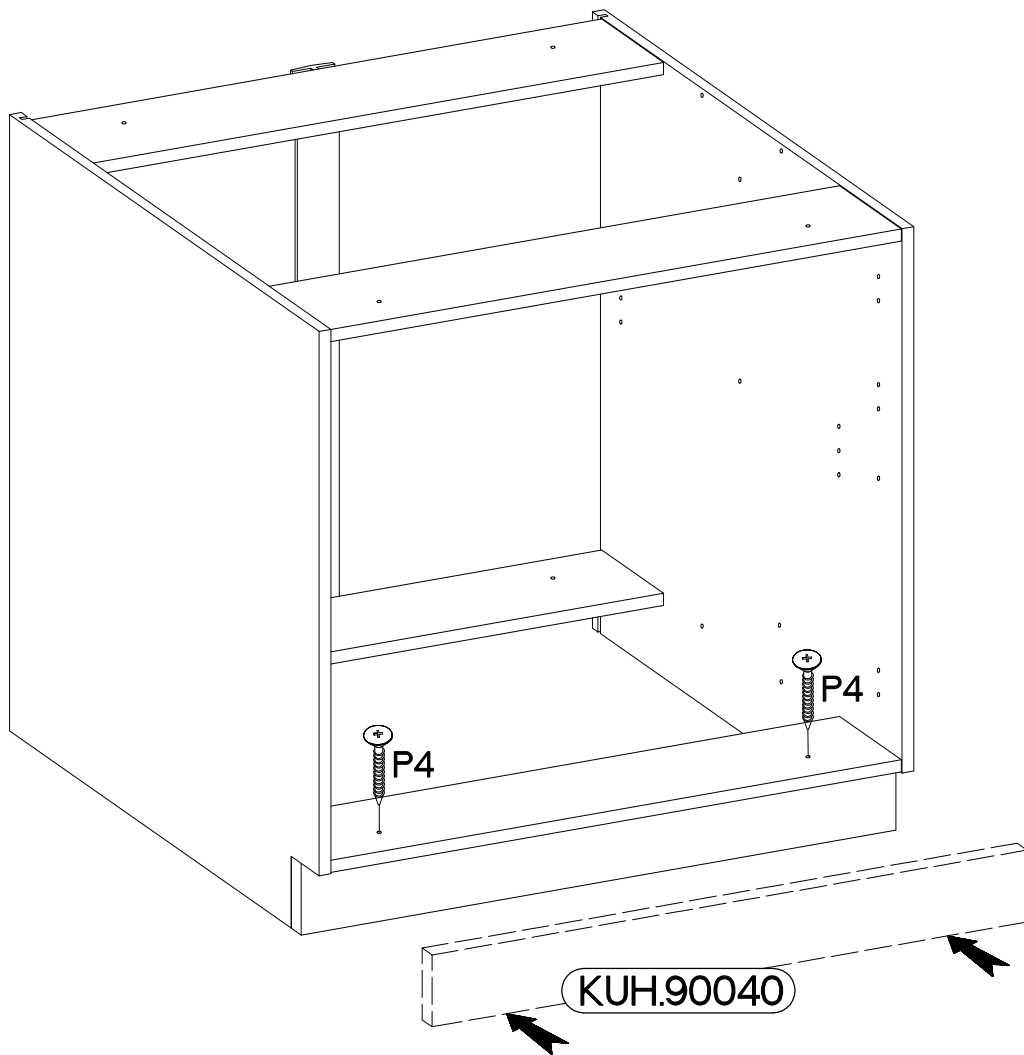
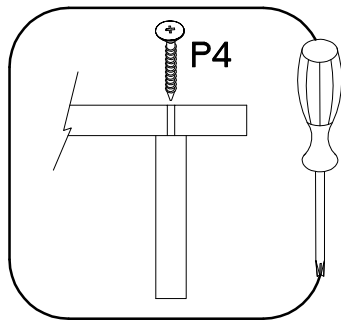
P4

2



E9

2



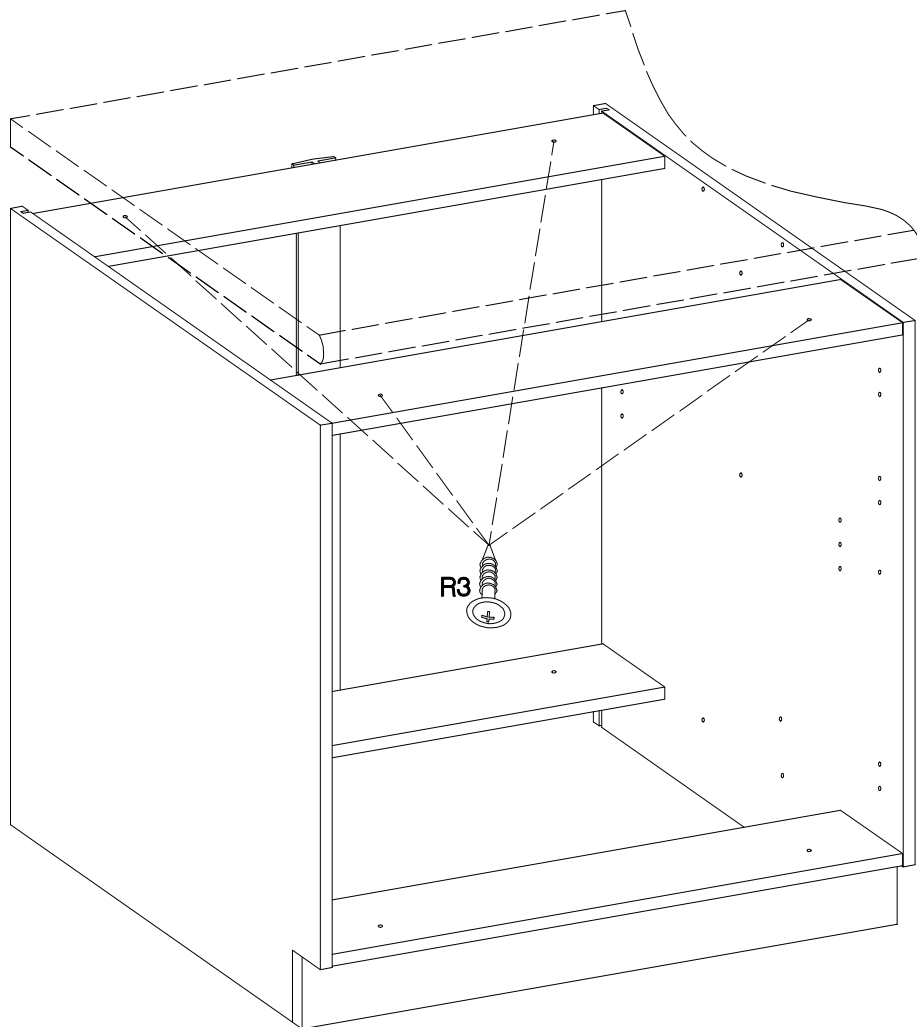
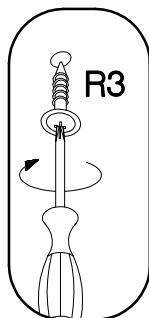
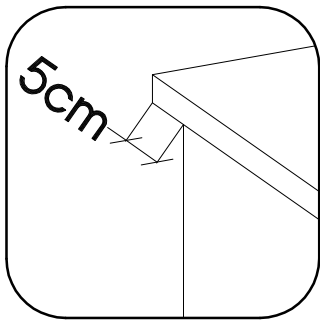
7

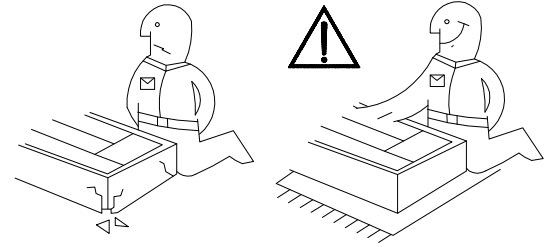
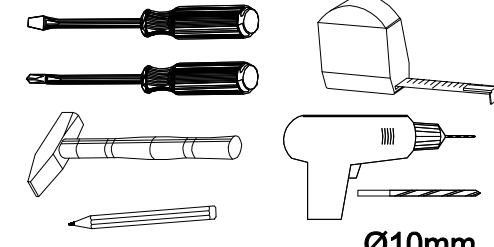
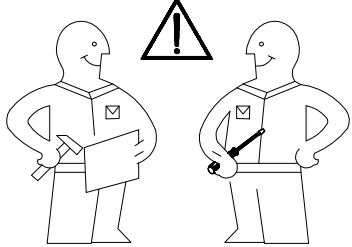
4.0x35mm



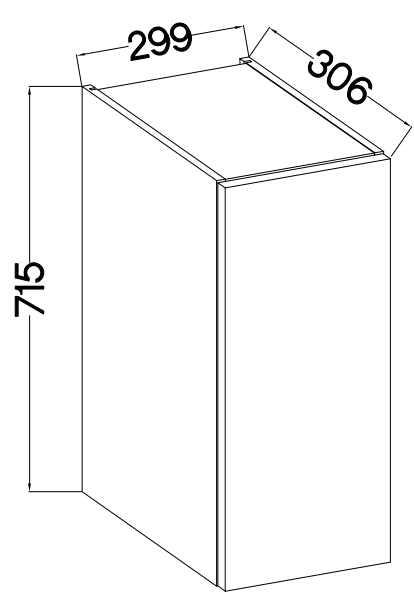
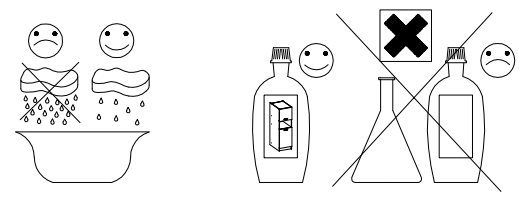
R3

4



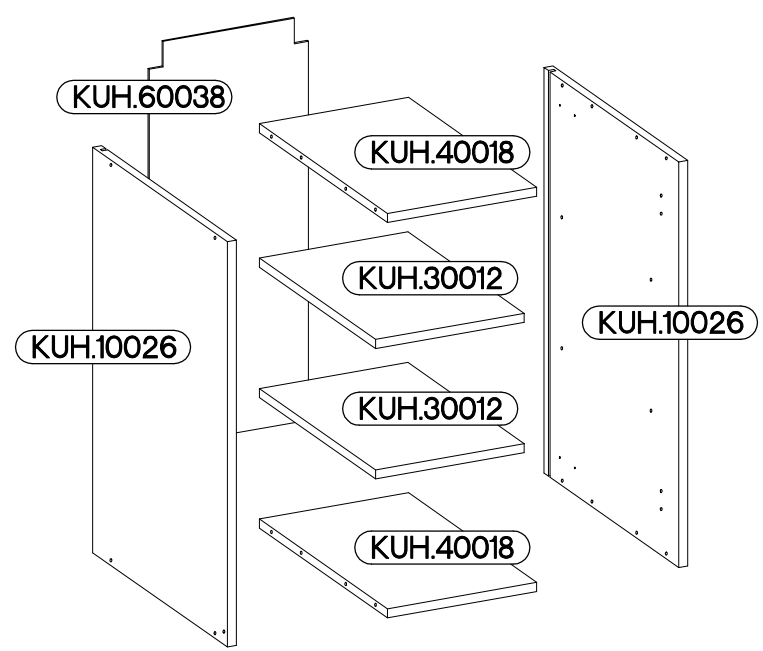
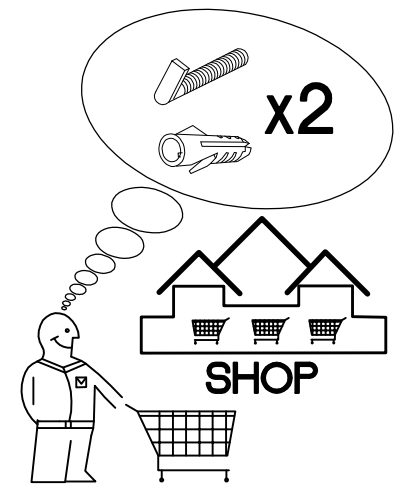
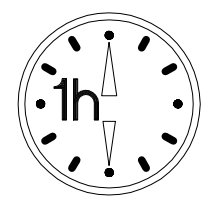


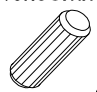
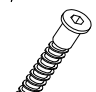

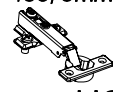

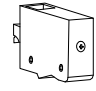
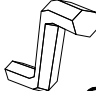


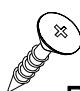
Ø10mm
30 G-72 1F

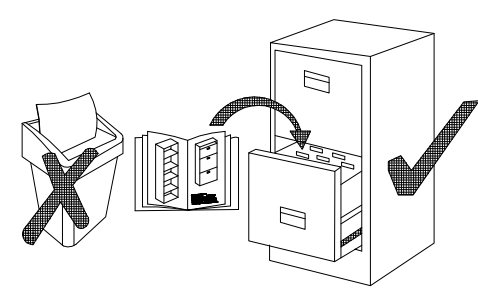


max.
5kg

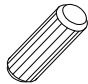
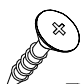

KUH.30012
KUH.40018

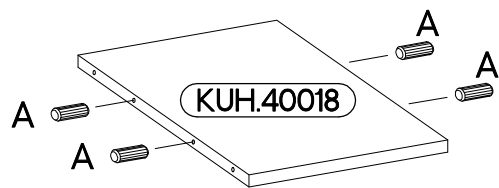
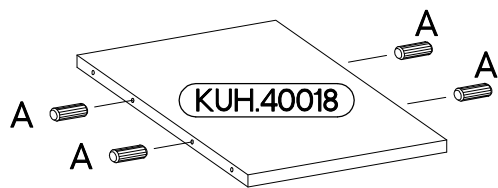
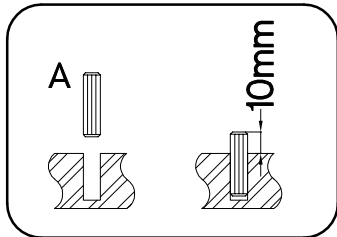
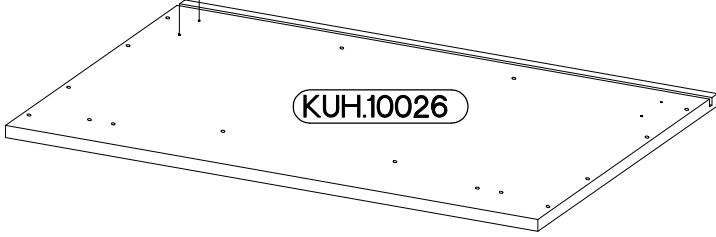
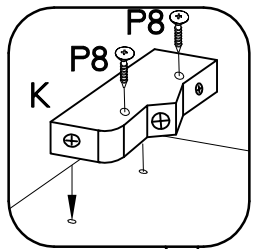
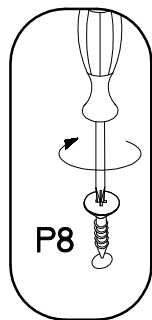
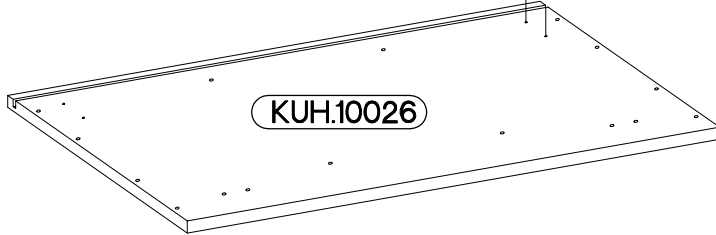
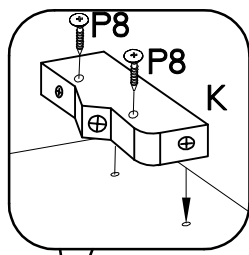
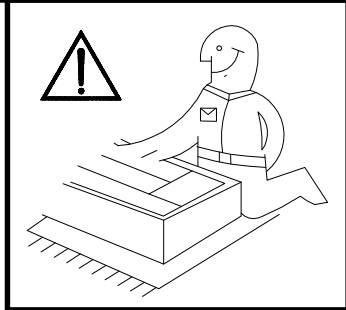


 8x30mm A	 6,4 x 50mm B	 E1	 ±35/0mm HG			
8	8	8	2			
 ±5/19mm J	 K	 O	 ±3.5x13mm P5	 ±3.0x20mm P7	 ±4.0x30mm P8	
8	2	1	4	8-10	4	

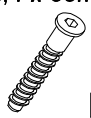




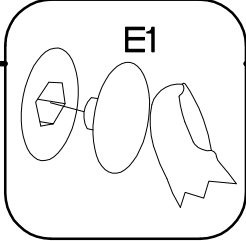
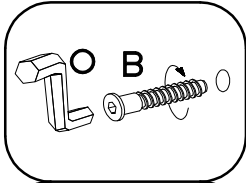
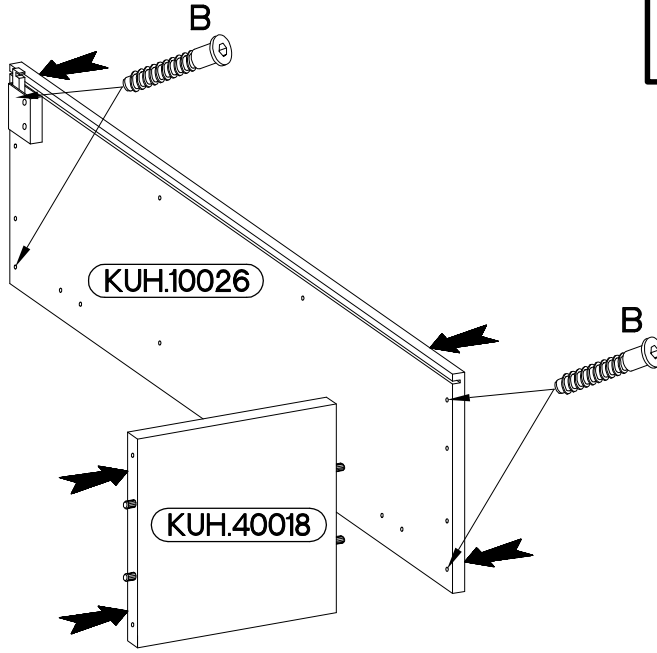
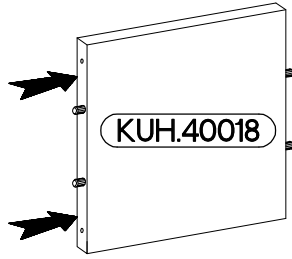
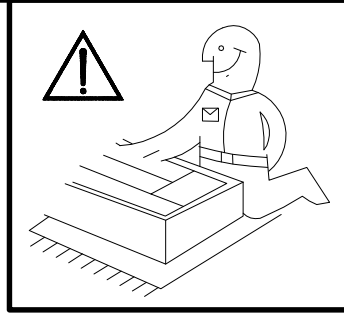
ISM-KUH-01132

 A	 P8	 K
8	4	2

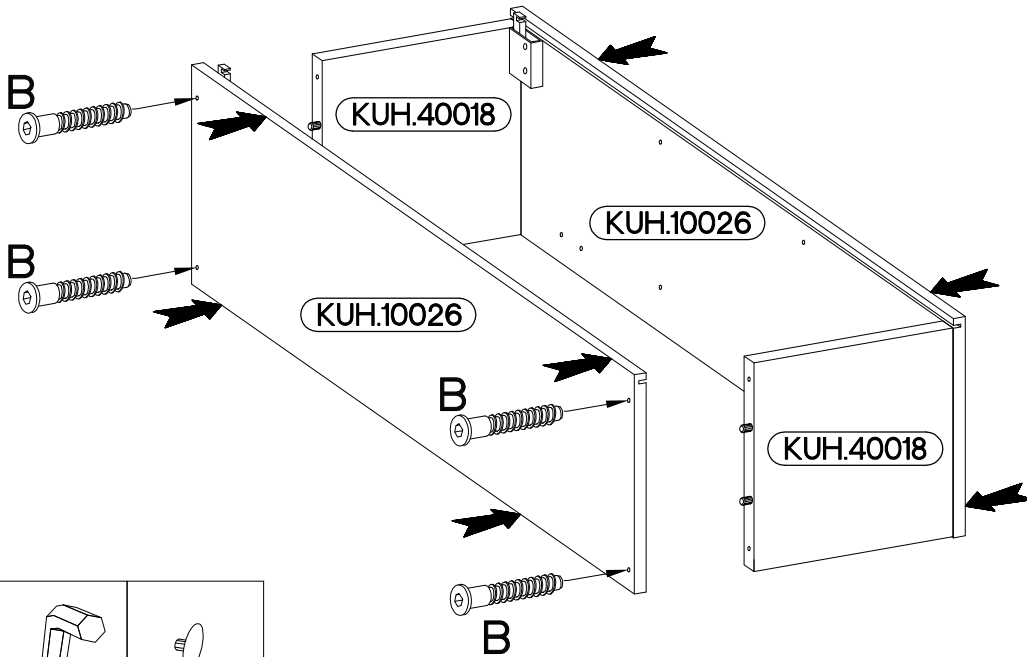


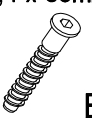
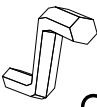

2

6,4 x 50mm		
		
B	O	E1
4	1	4

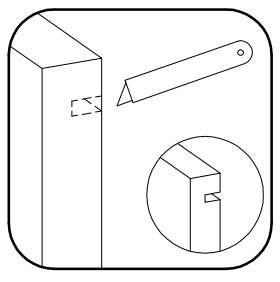
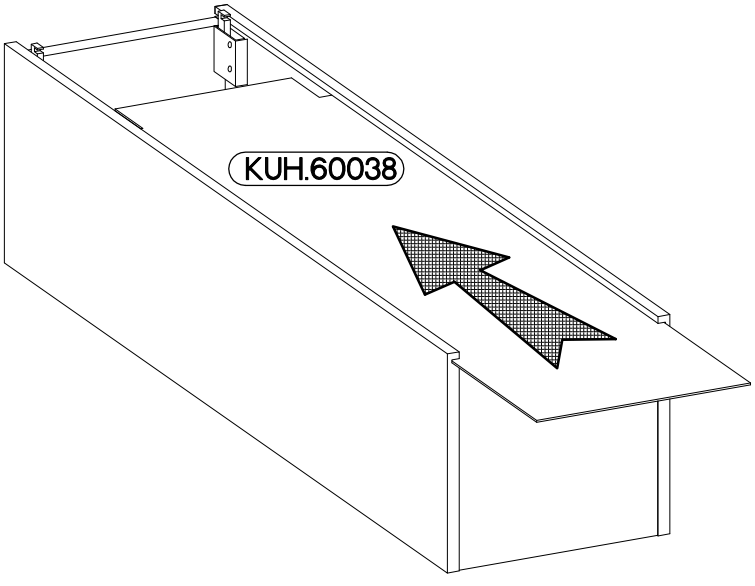
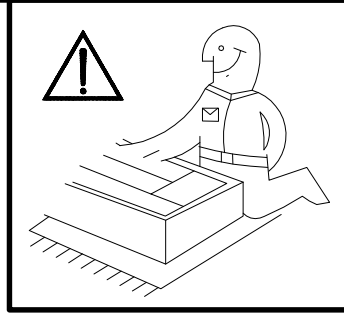


3

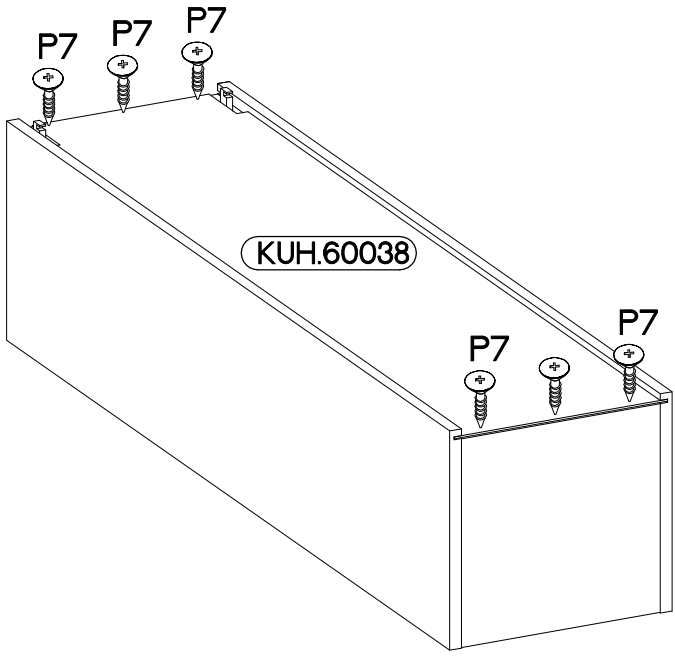
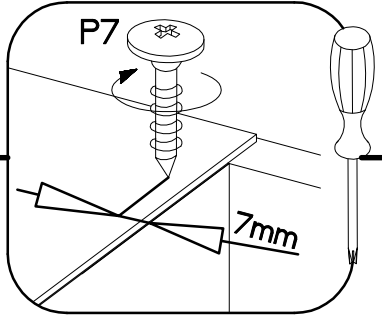
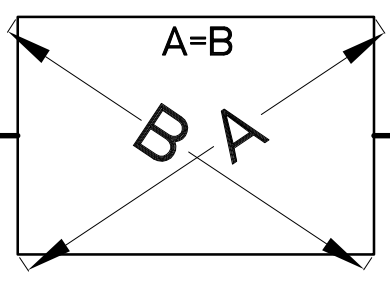
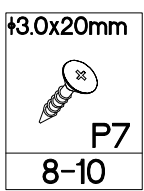


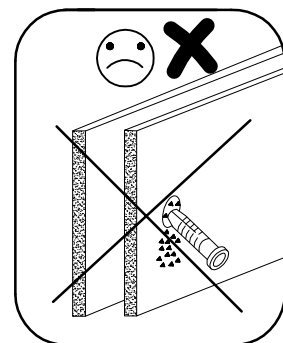
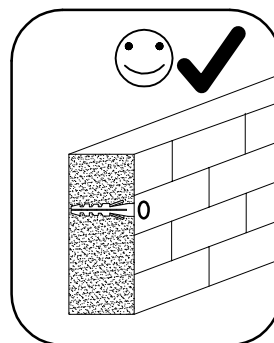
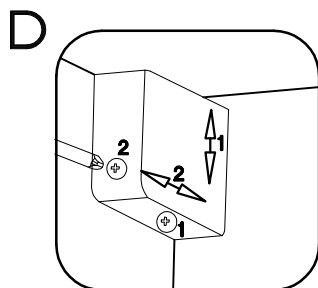
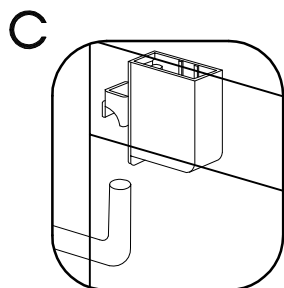
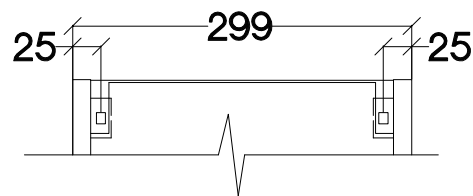
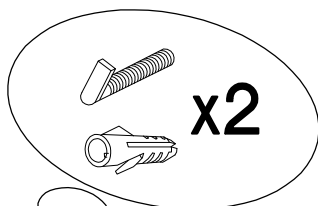
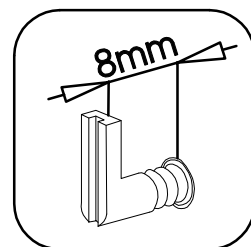
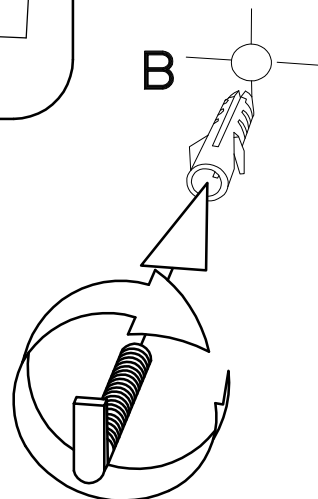
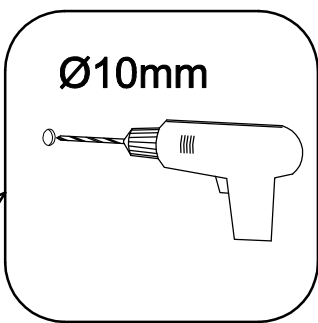
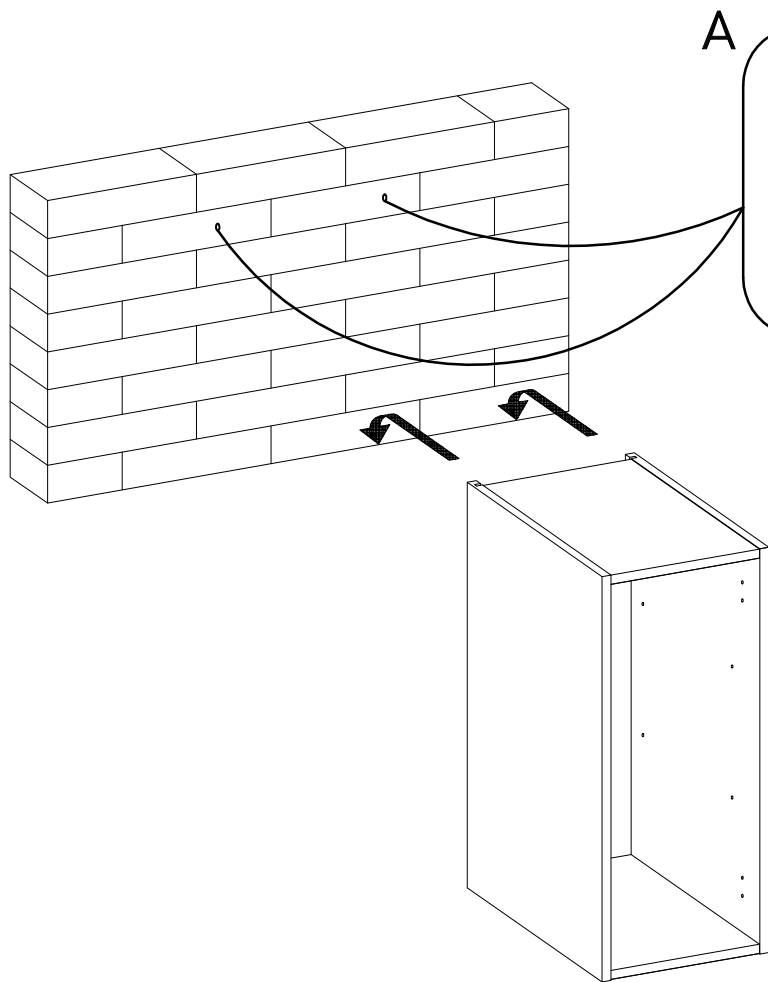
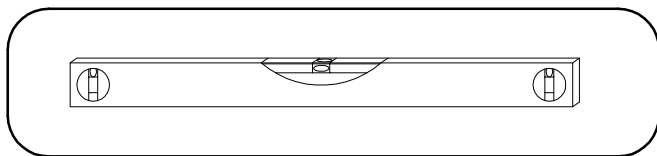
6,4 x 50mm		
		
B	O	E1
4	1	4

4



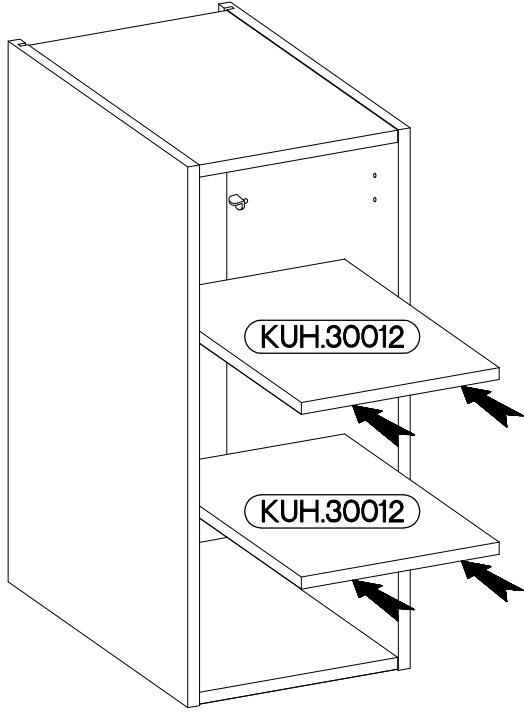
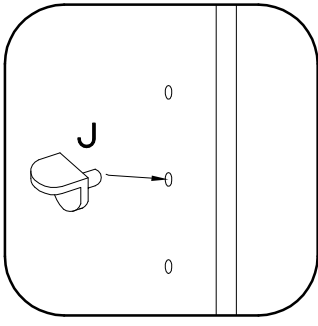
5





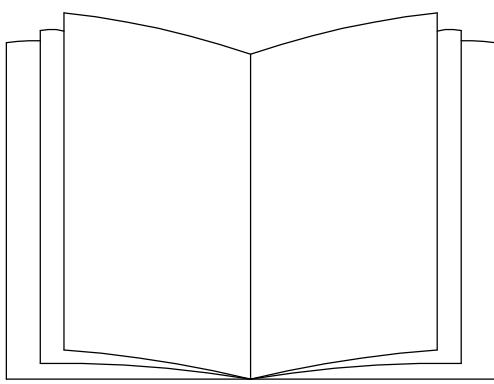
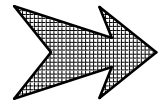
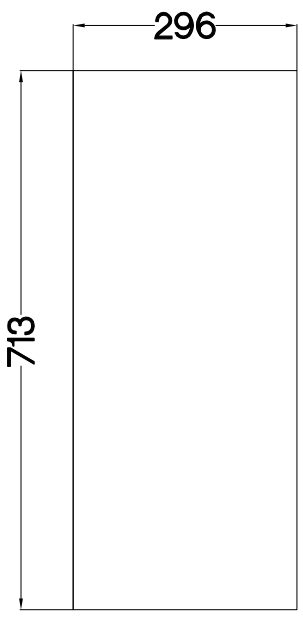
7

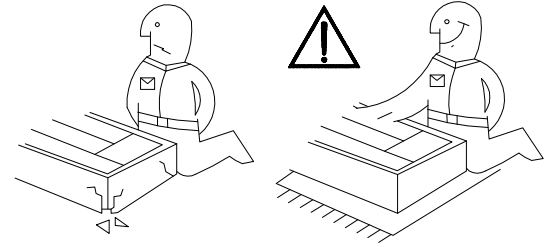
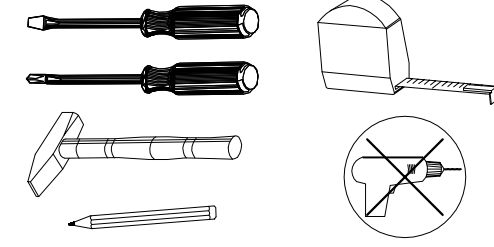
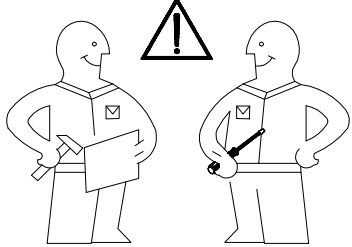
±5/19mm
J
12



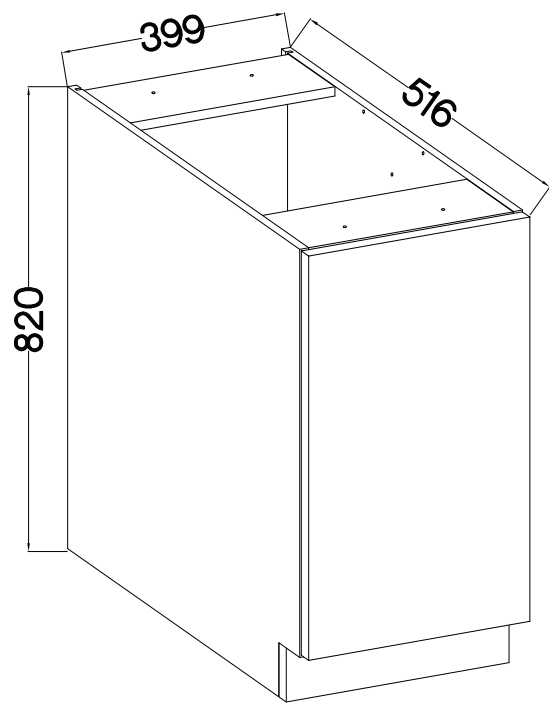
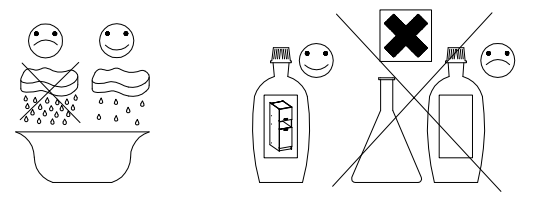
8

FRONT

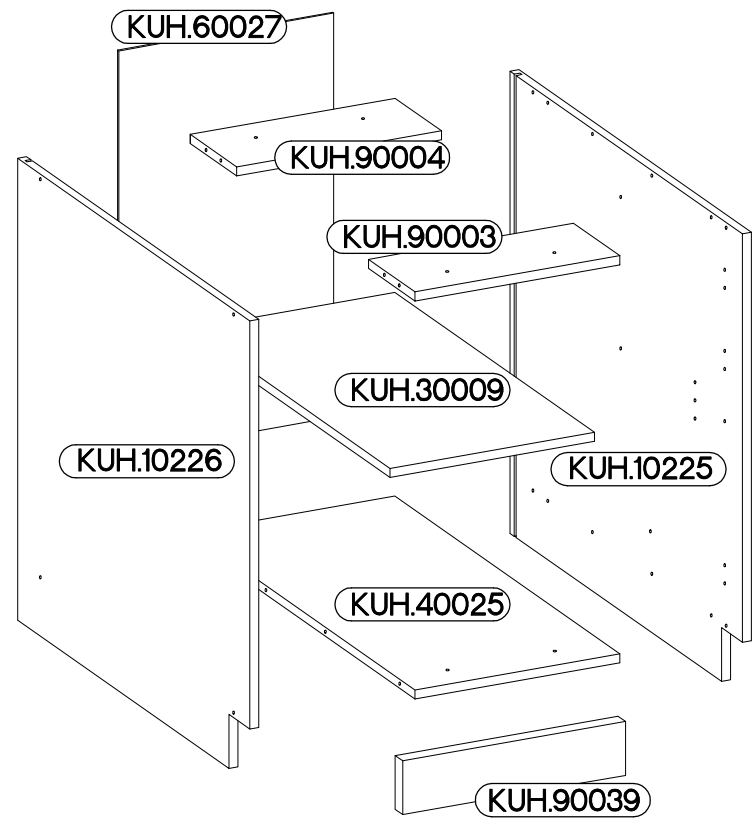
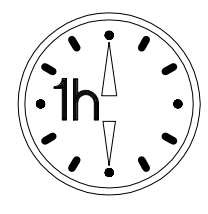


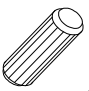



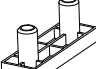









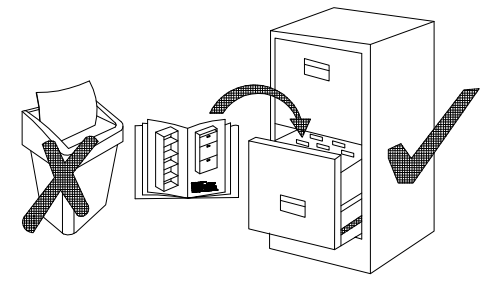
40 D 1F BB



max. 10kg
 KUH.30009
 KUH.40025

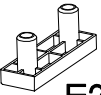
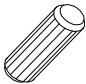


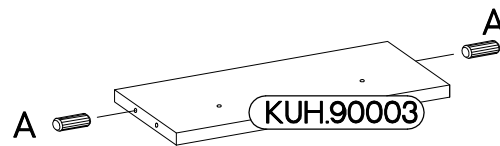
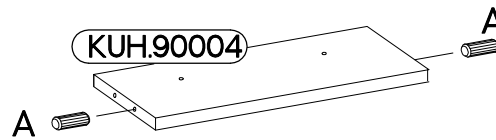
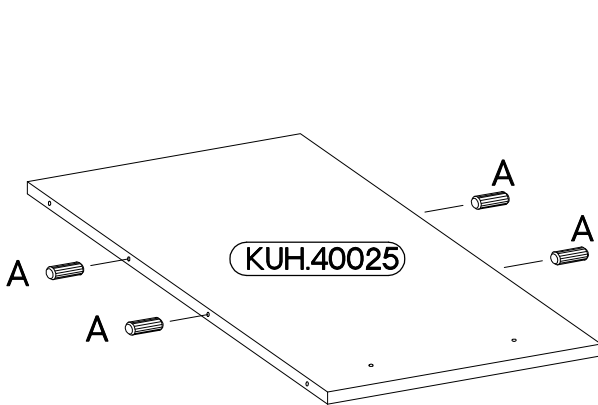
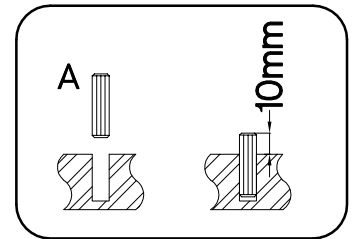
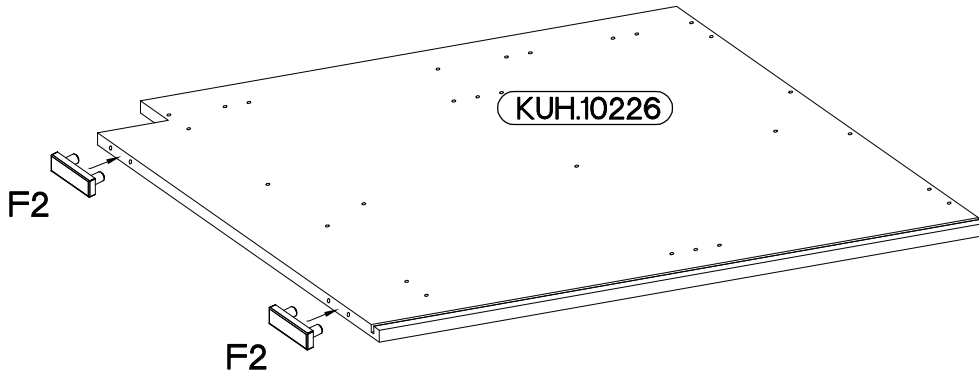
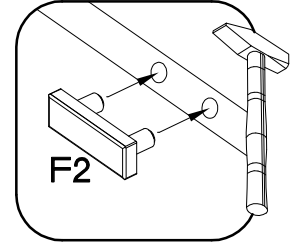
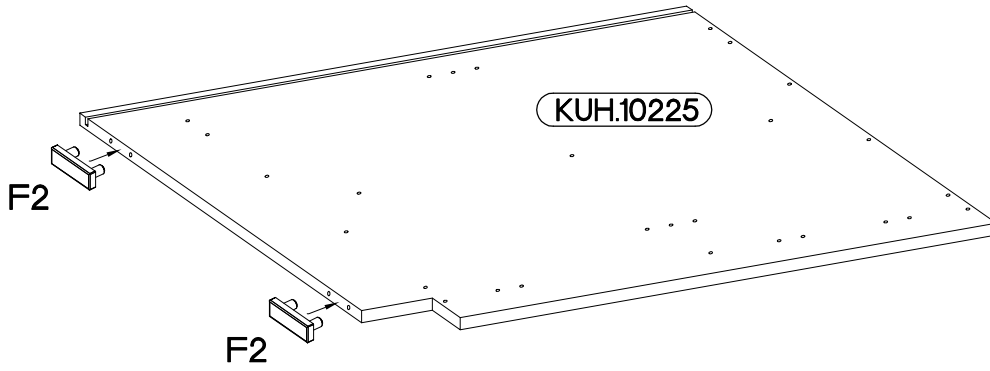
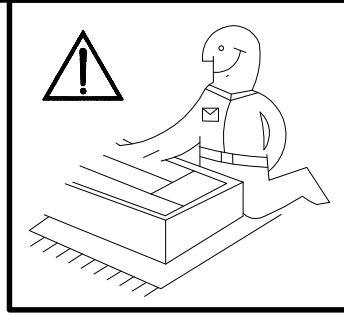
 A	 B	 E1	 E9	 F2		
8	8	8	2	4		
 HG	 J	 O	 P4	 P5	 P7	 R3
2	4	1	2	4	8-10	4



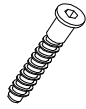
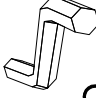

ISM-KUH-01133

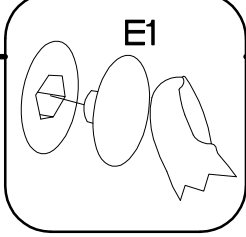
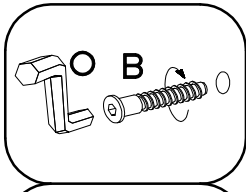
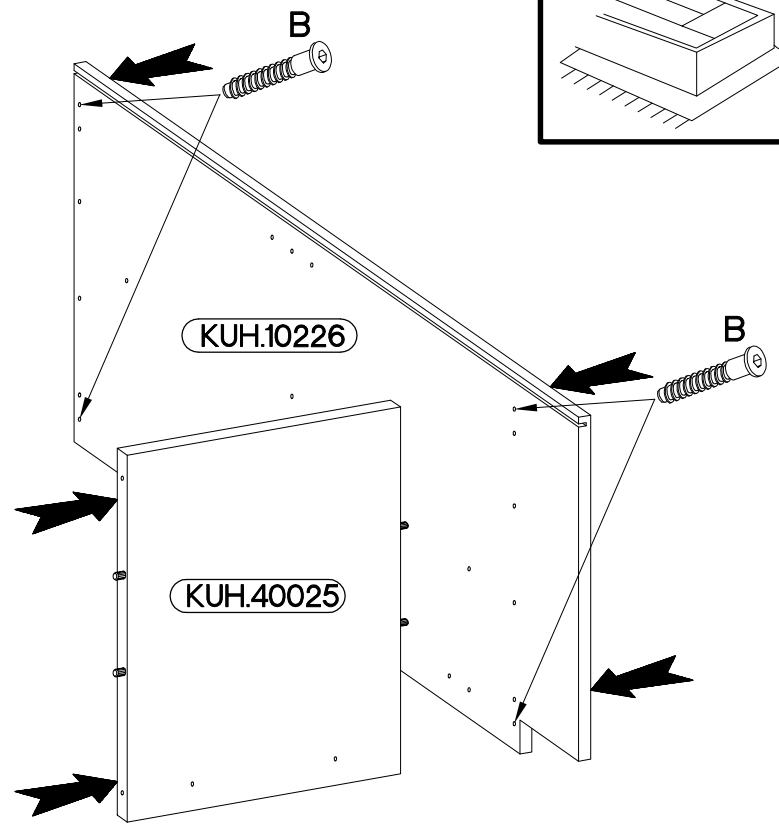
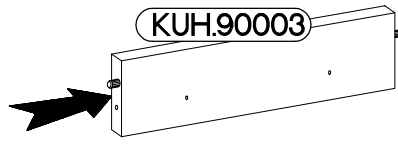
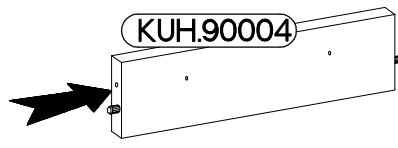
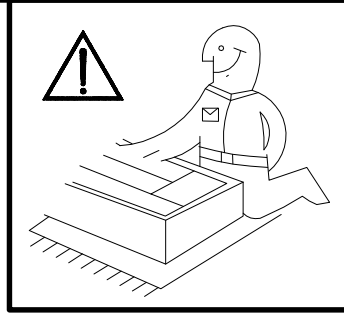
1

6.5x48x16  F2 4	+8x30mm  A 8
--	---

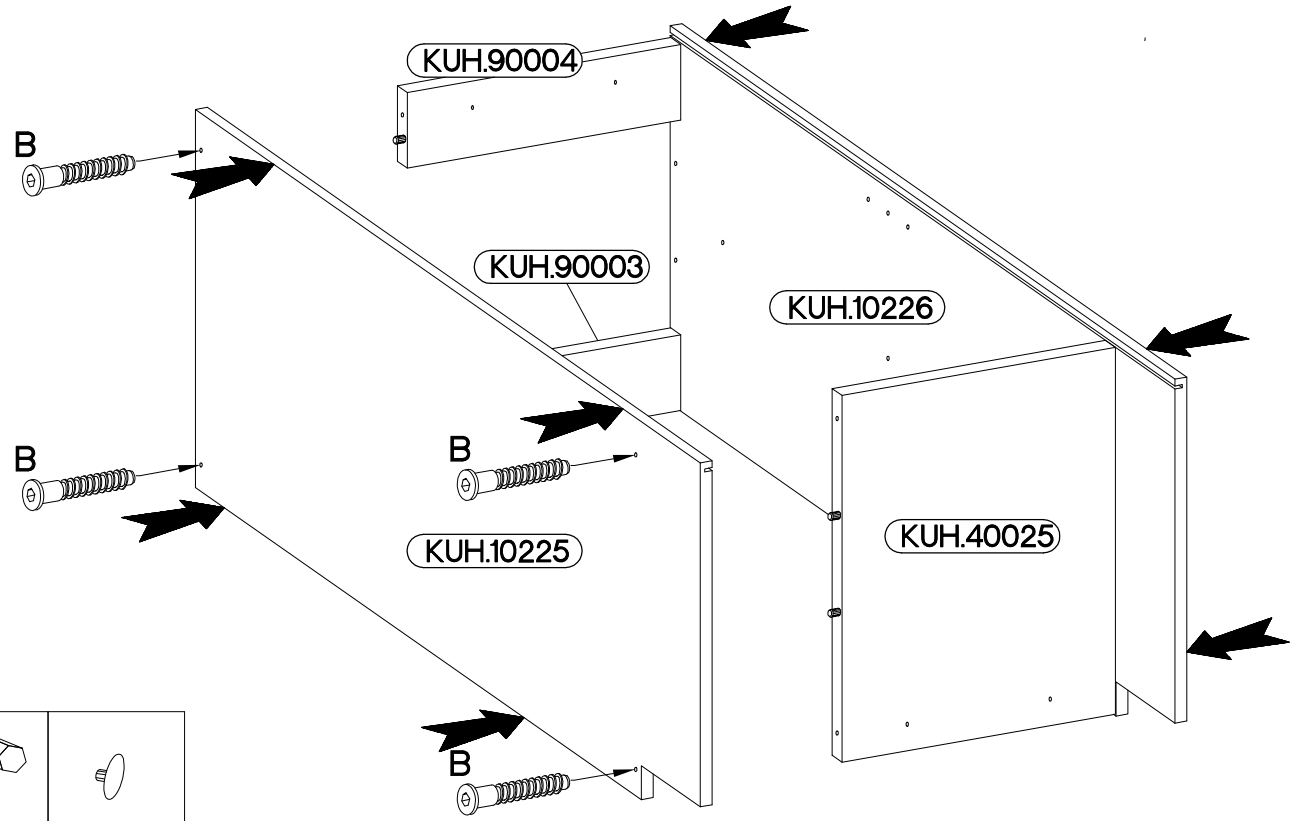



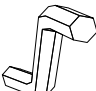

2

6,4 x 50mm		
		
B	O	E1
4	1	4

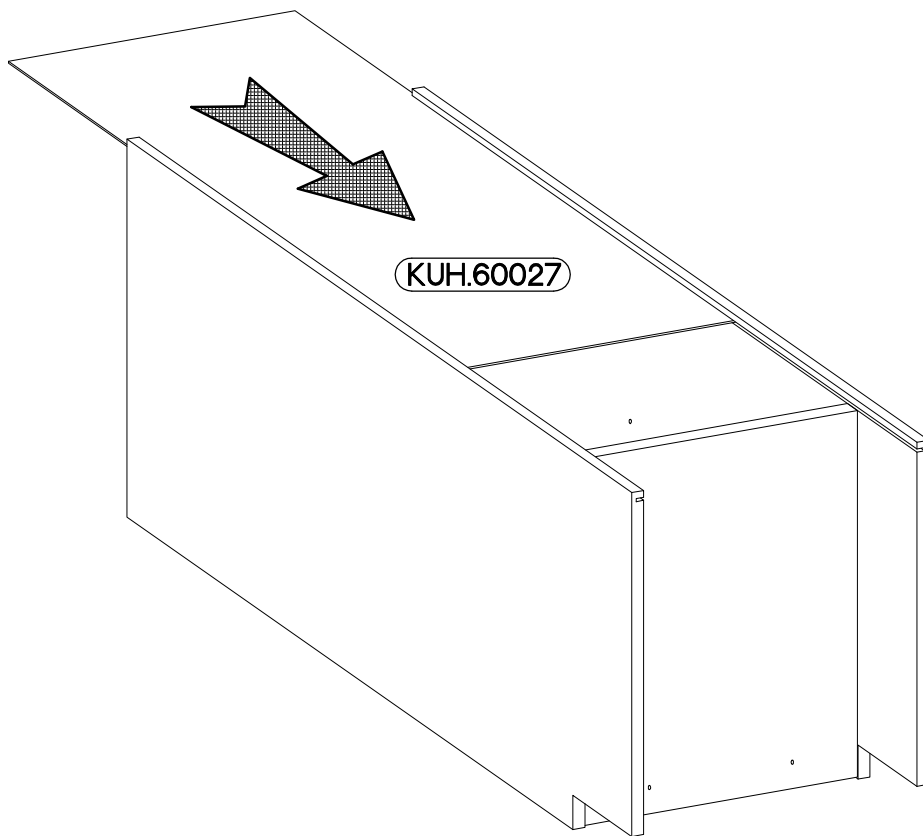
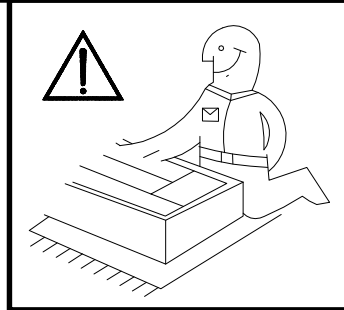


3

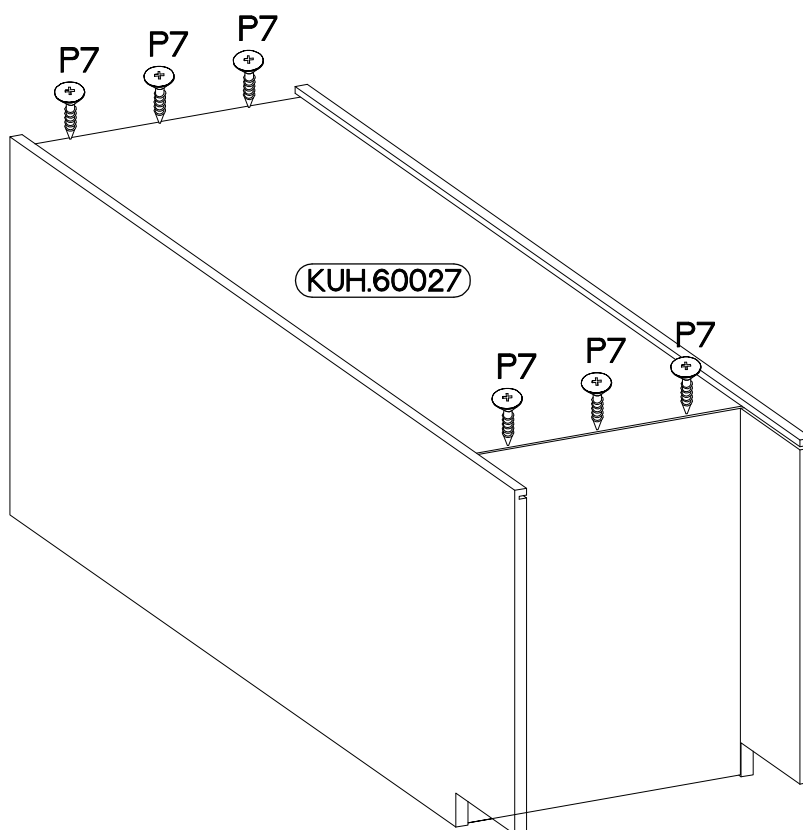
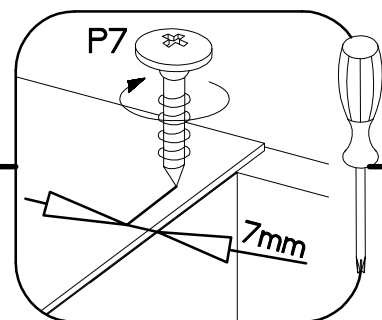
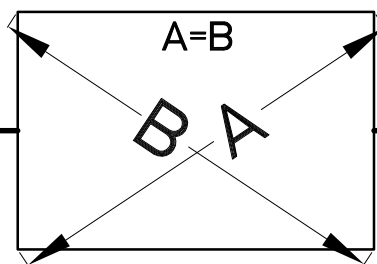
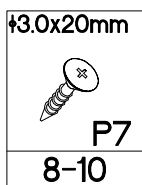


6,4 x 50mm		
		
B	O	E1
4	1	4



4

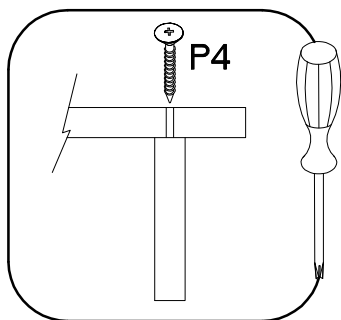
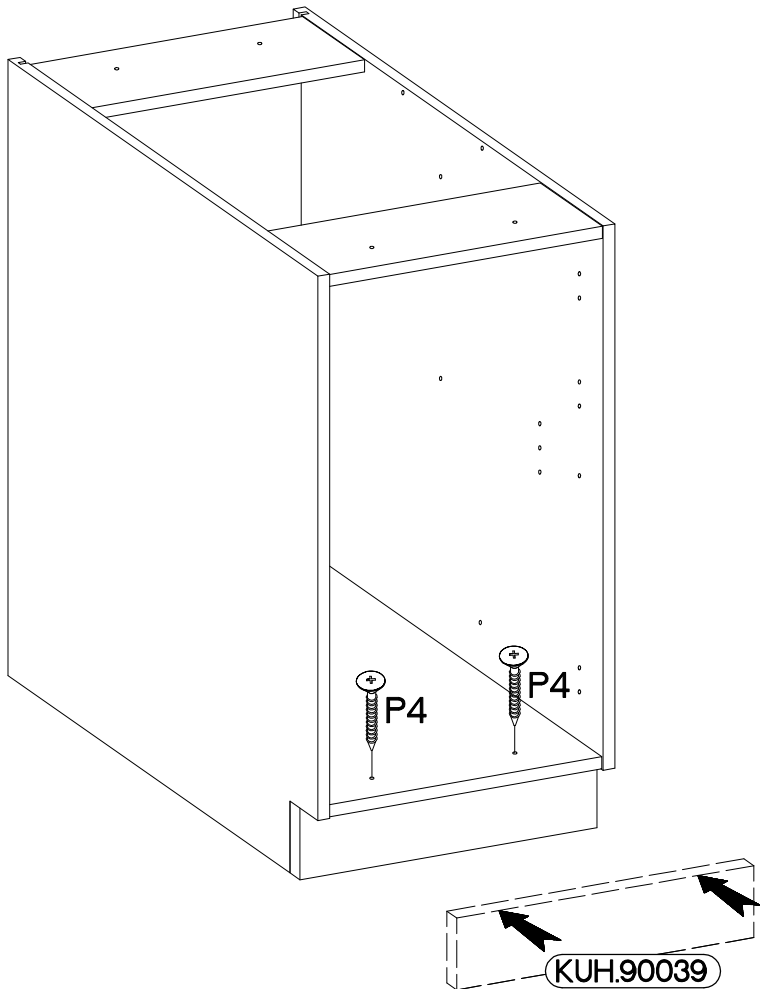


5




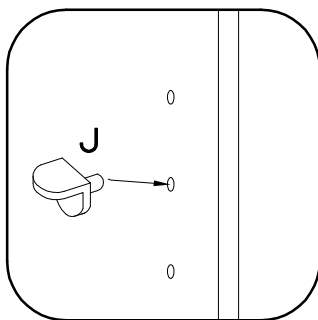
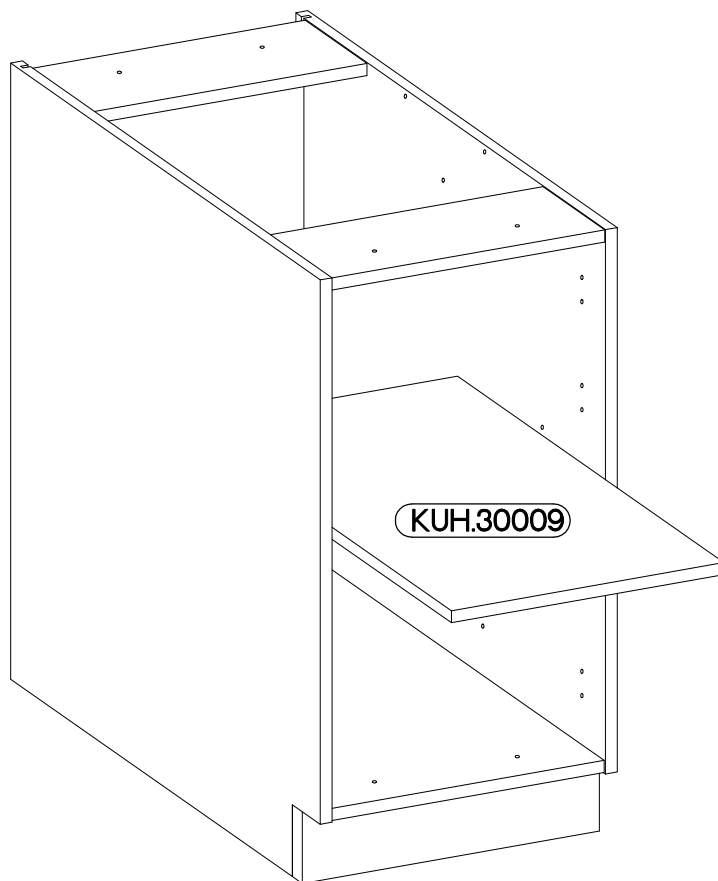
6

4.0x45mm	
	E9
2	2



7

5/19mm

J
4



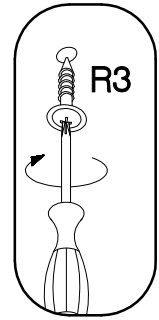
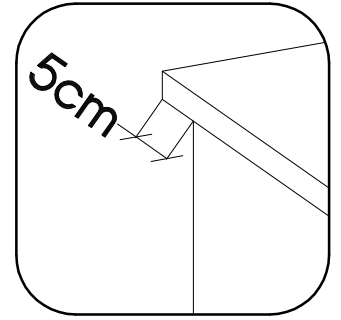
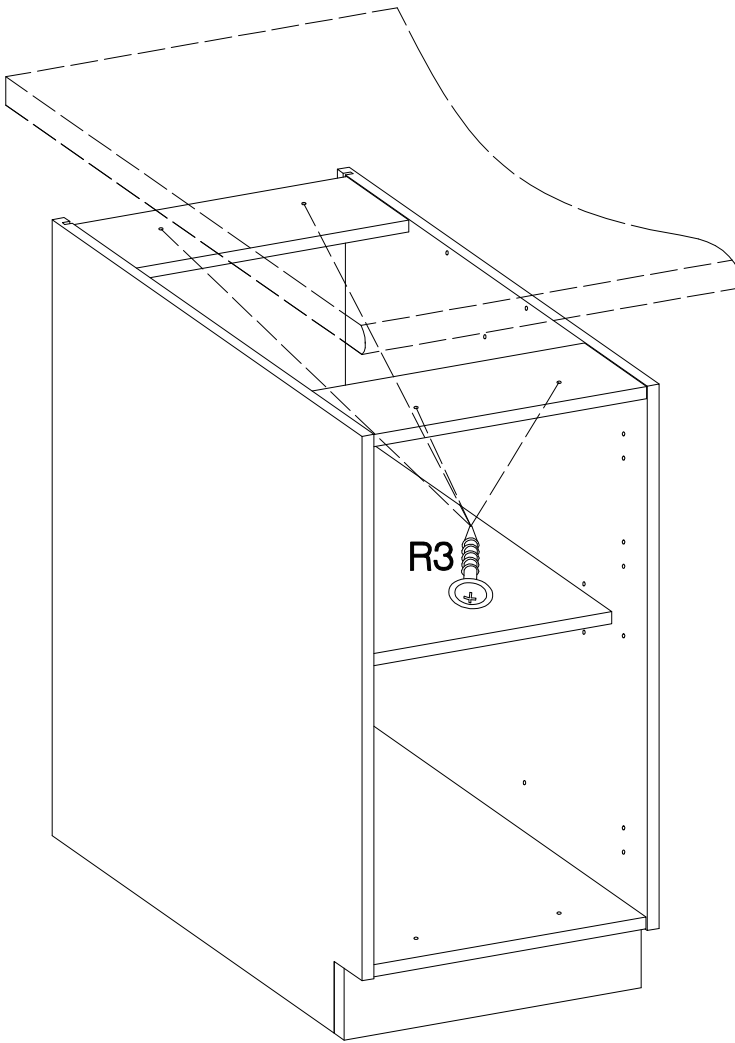
8

4.0x35mm



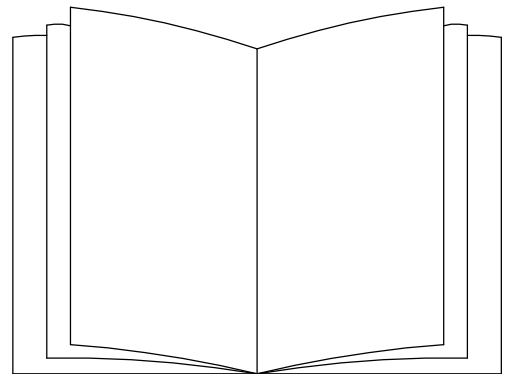
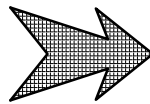
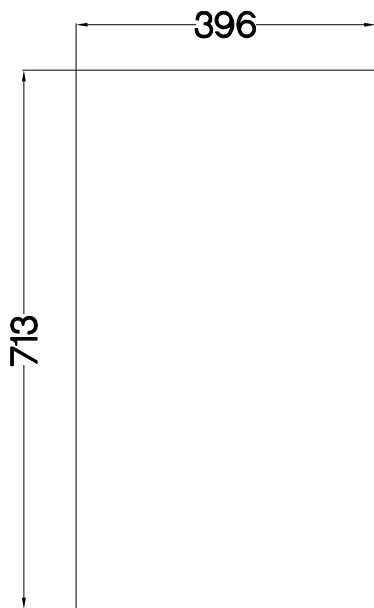
R3

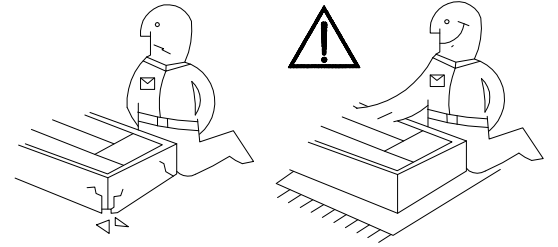
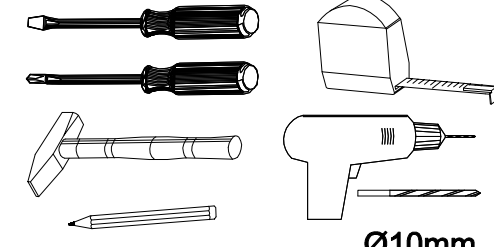
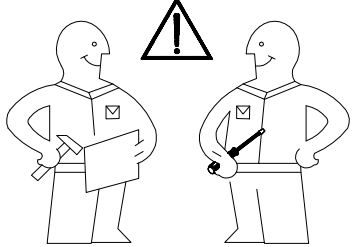
4



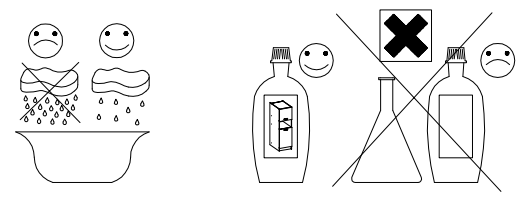
9

FRONT

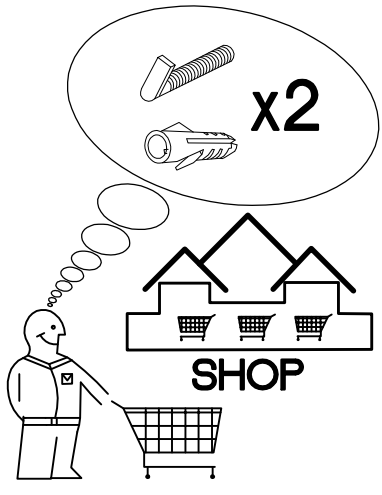
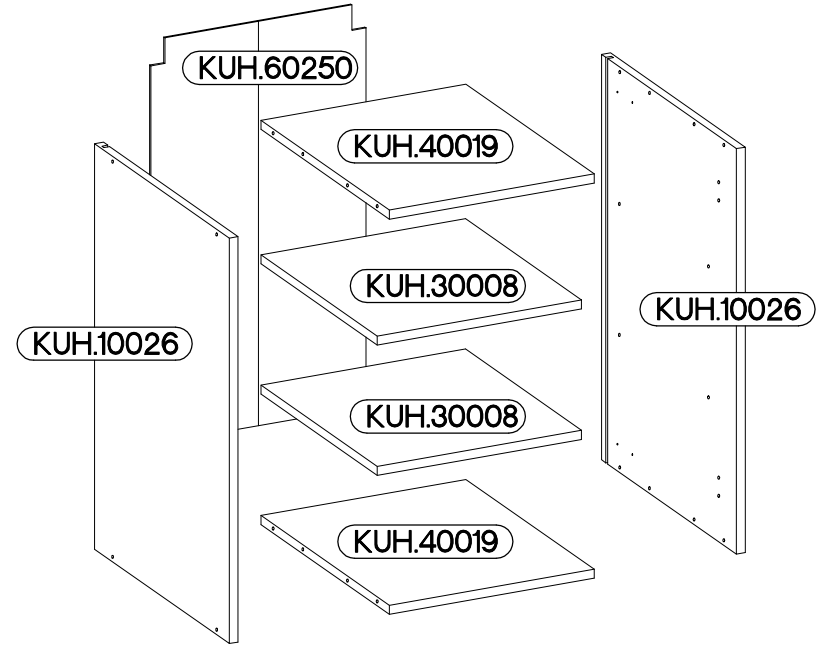
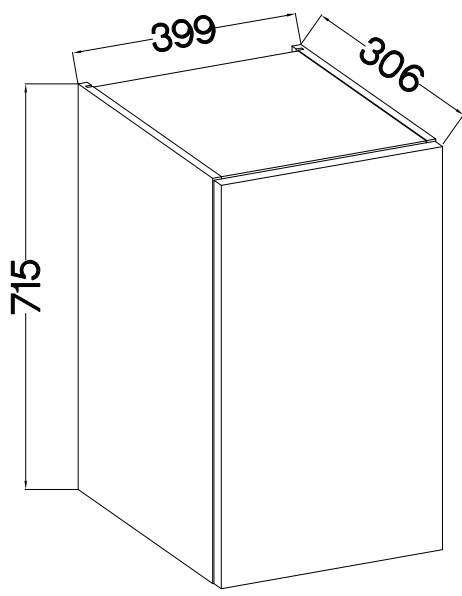
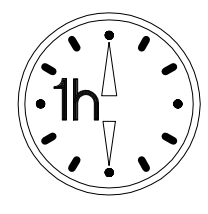




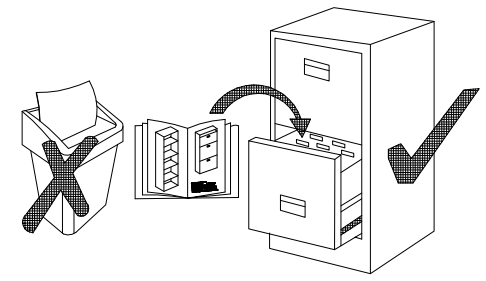
Ø10mm
40 G-72 1F



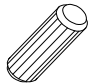
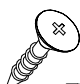

KUH.30008
KUH.40019

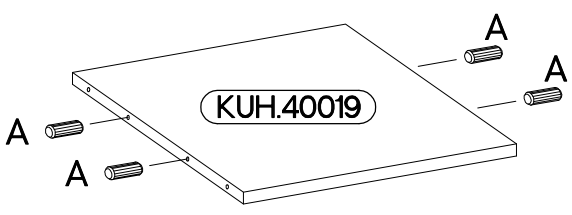
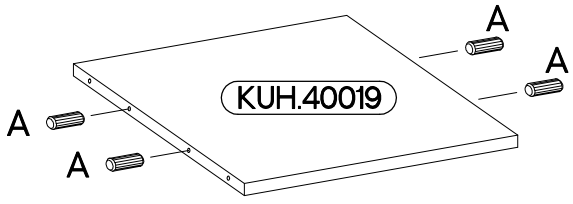
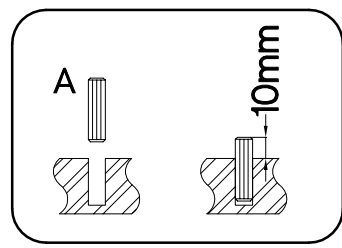
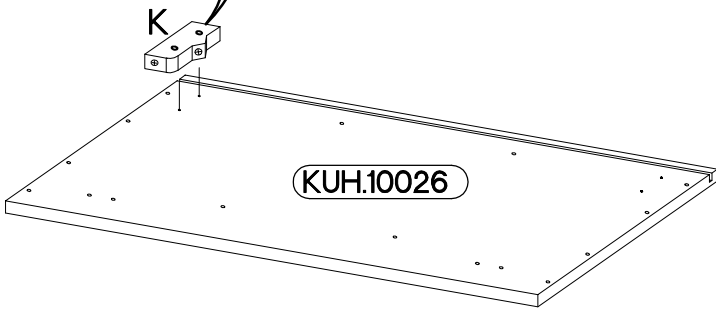
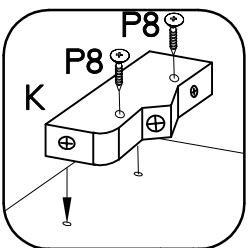
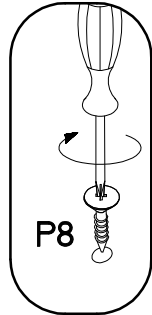
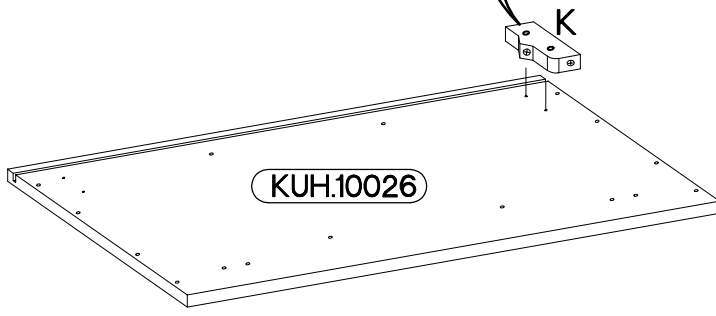
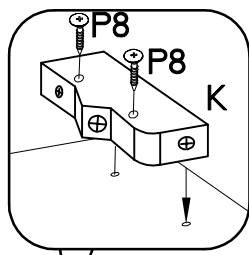
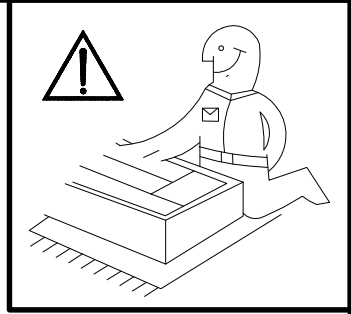


 8x30mm A 8	 6,4 x 50mm B 8	 E1 8	 HG 2			
 J 8	 K 2	 O 1	 P5 4	 P7 8-10	 P8 4	

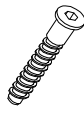




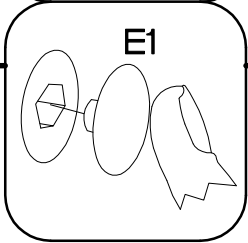
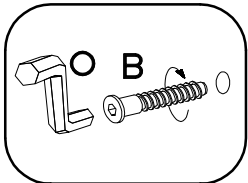
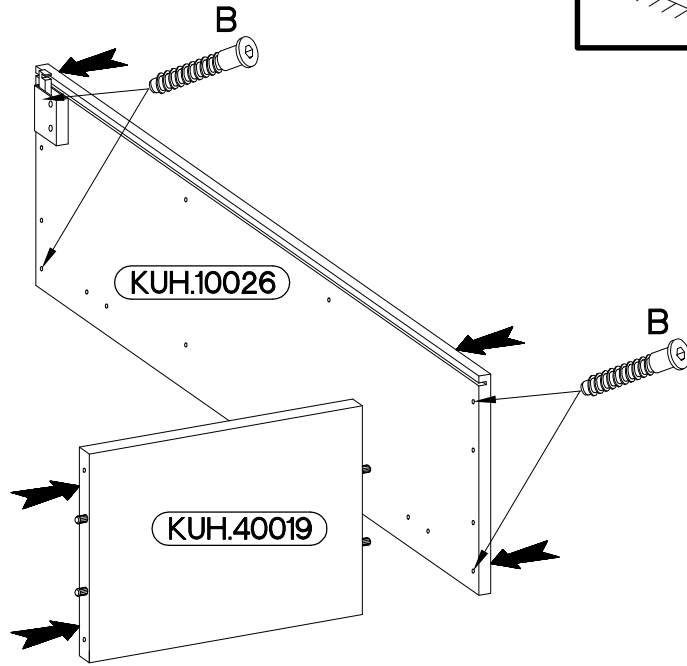
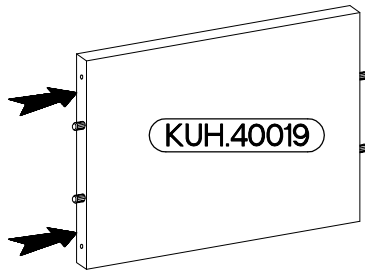
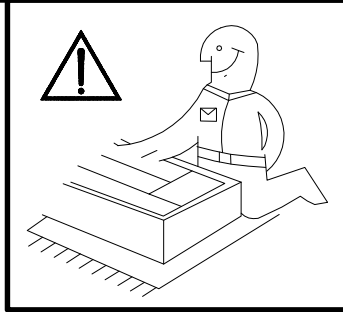
ISM-KUH-01134

 A 8	 P8 4	 K 2
--	---	--

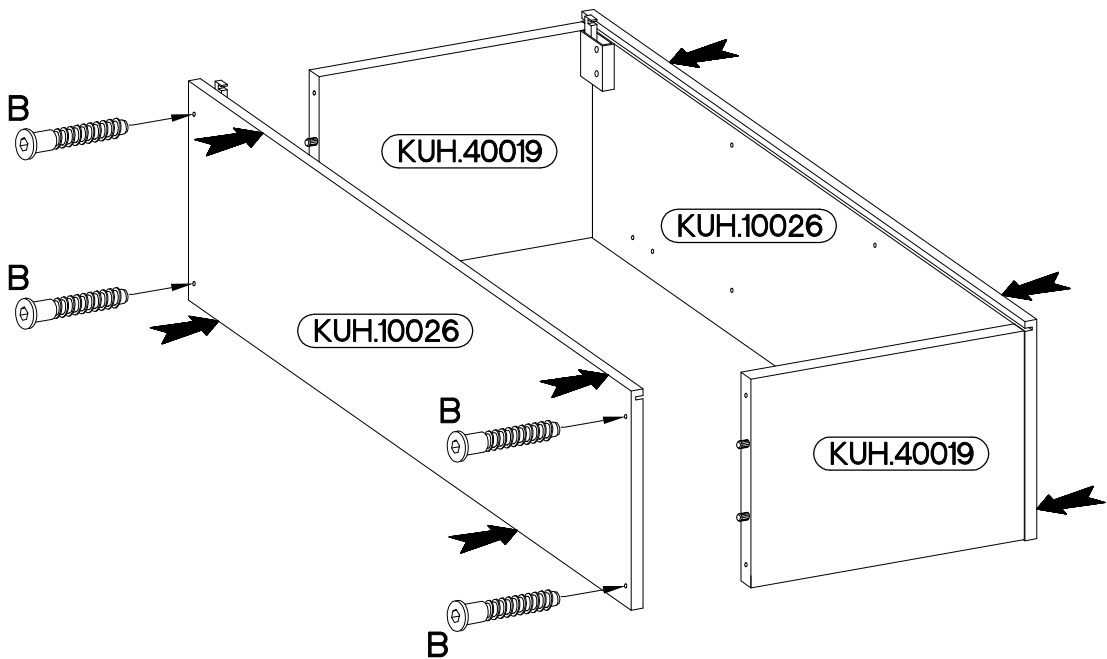



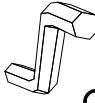

2

6,4 x 50mm		
		
B	O	E1
4	1	4

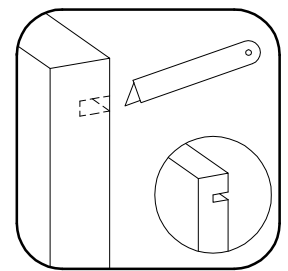
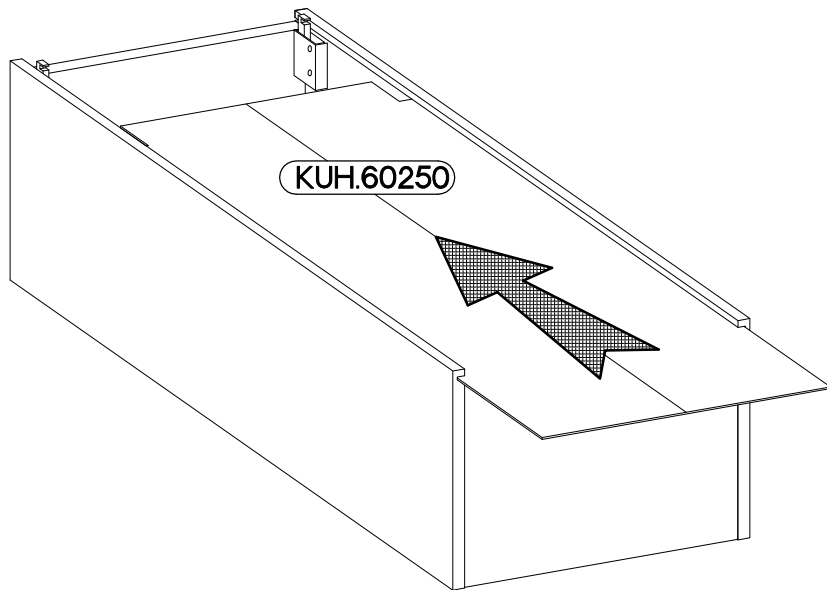
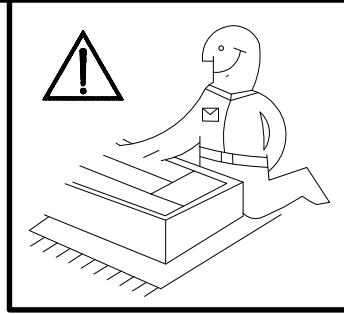


3

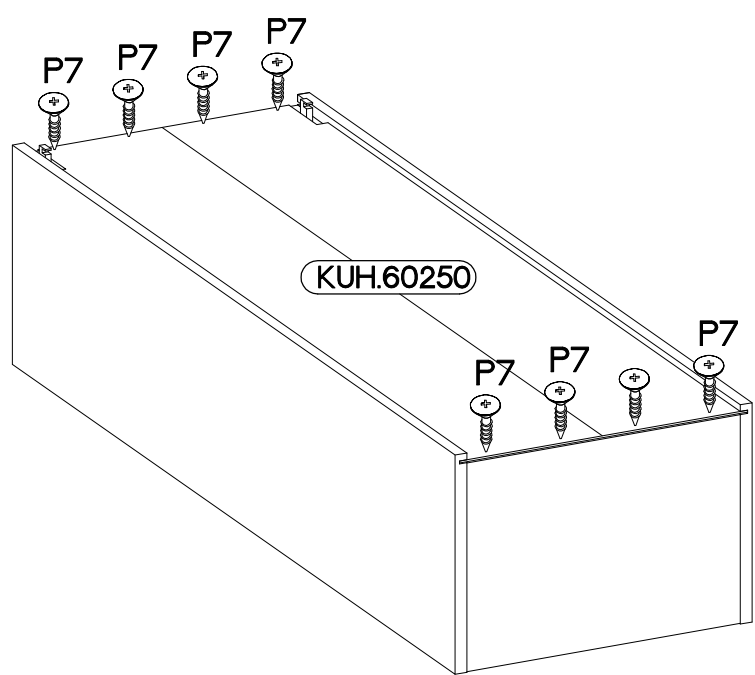
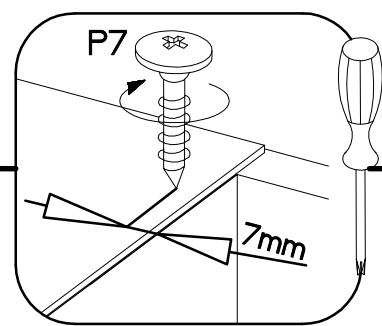
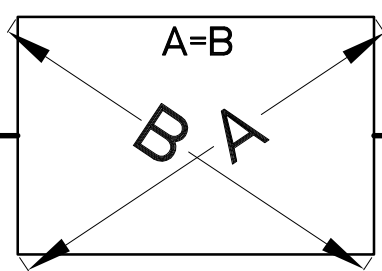
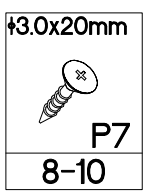


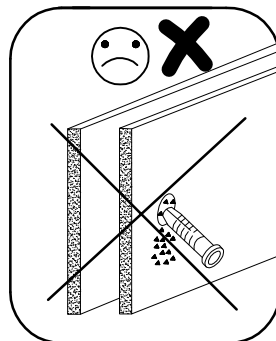
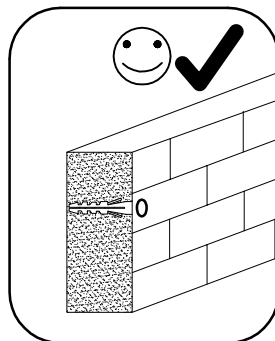
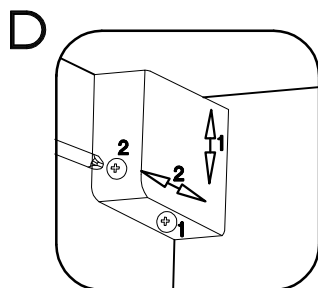
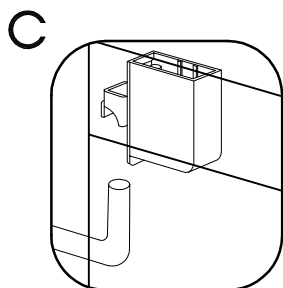
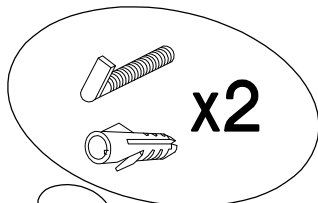
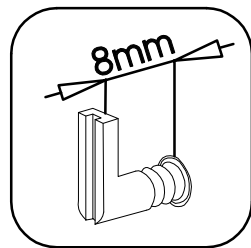
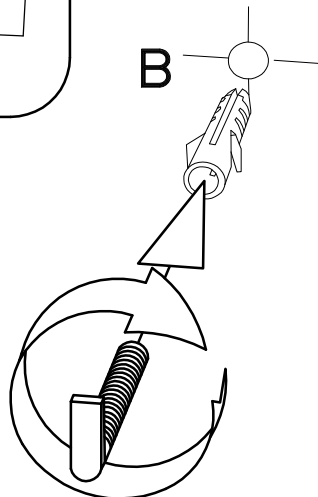
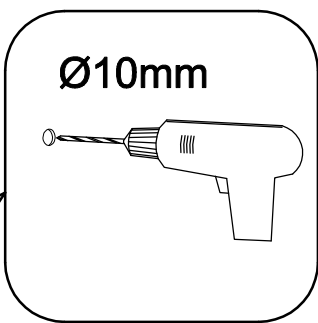
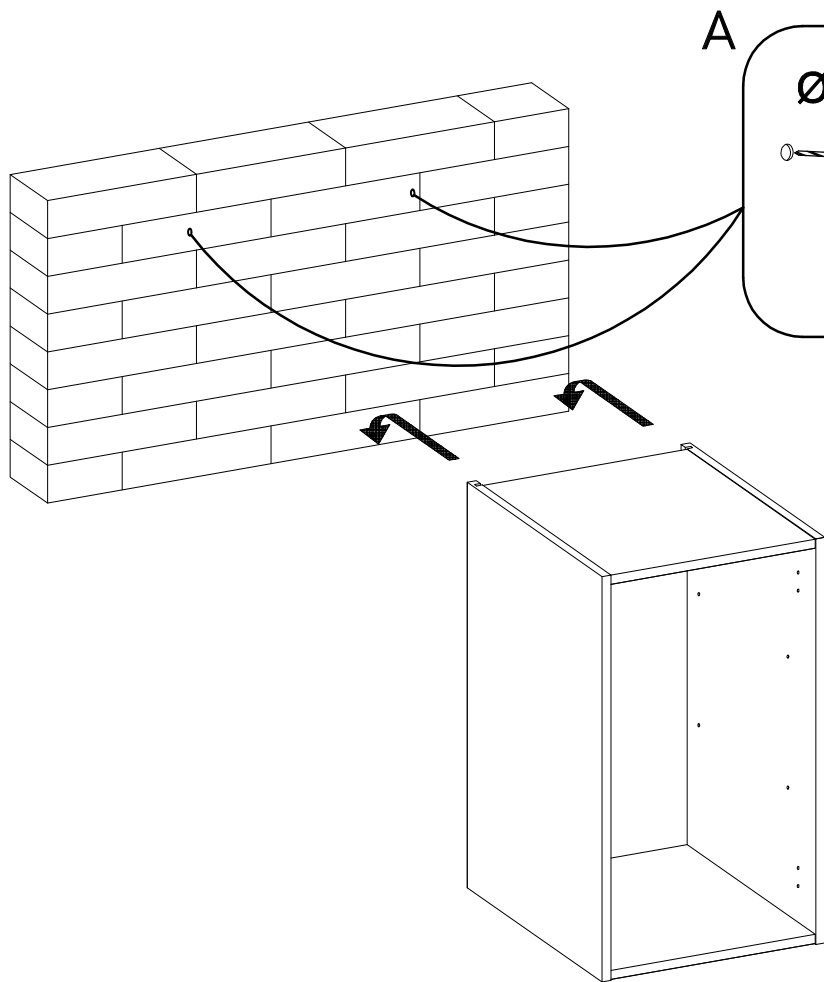
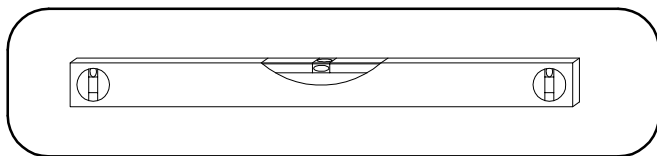
6,4 x 50mm		
		
B	O	E1
4	1	4

4

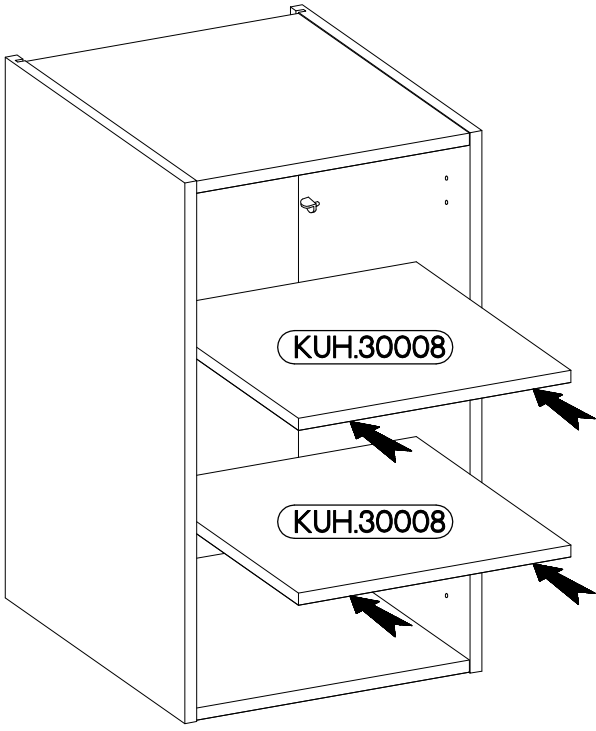
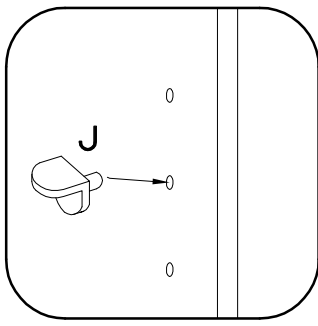
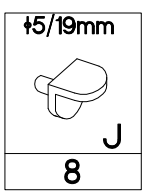


5



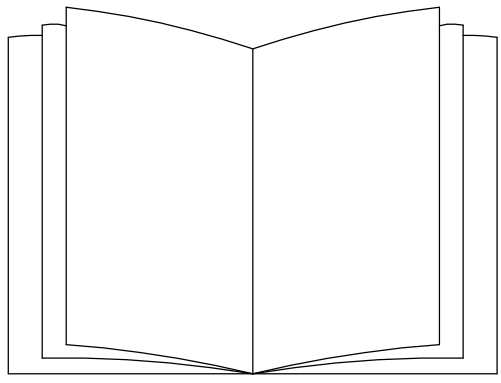
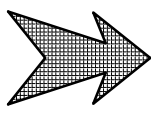
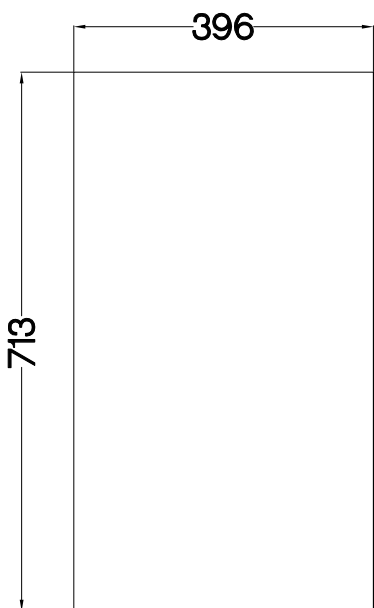


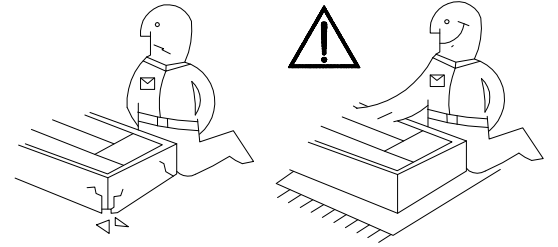
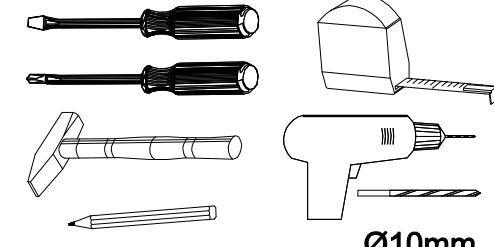
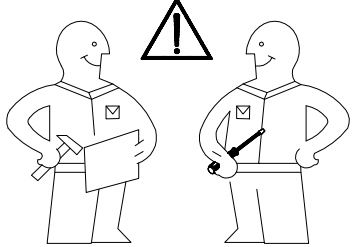
7



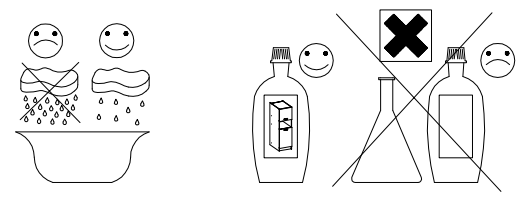
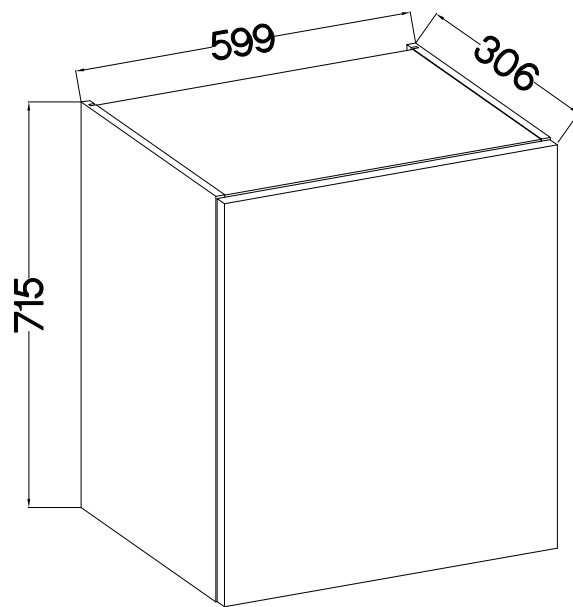
8

FRONT

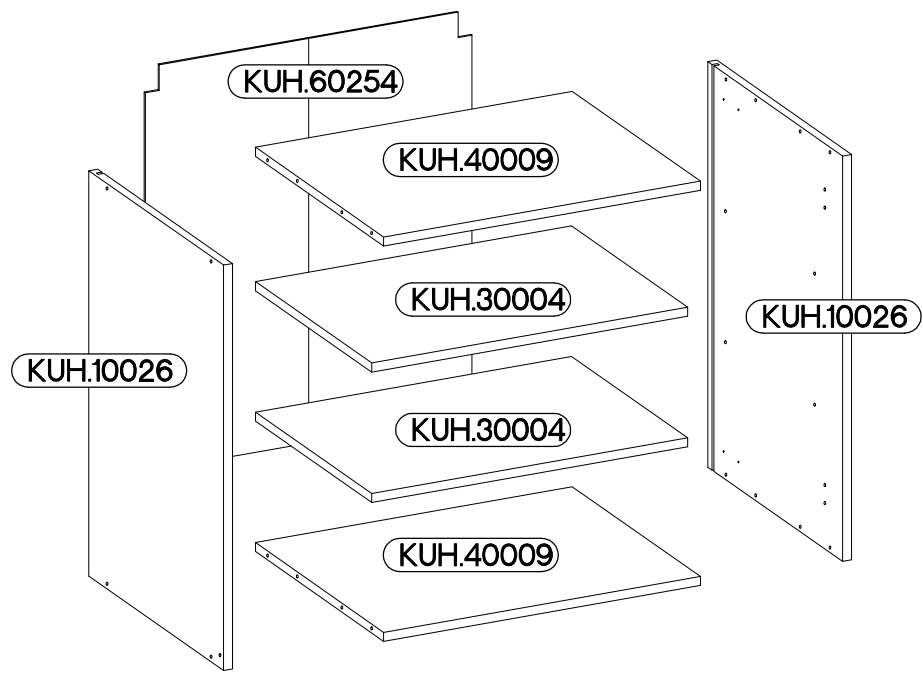
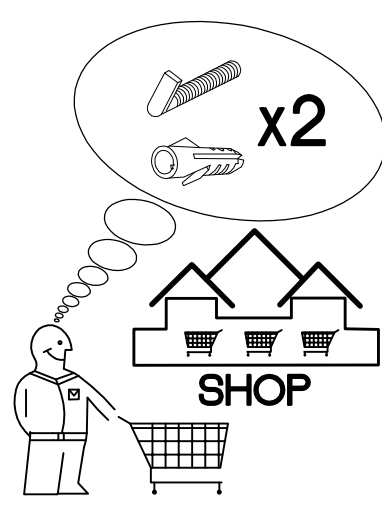
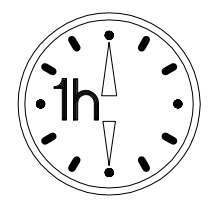




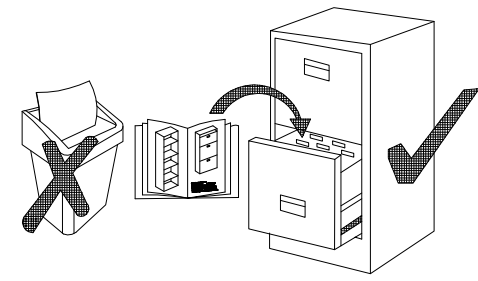
Ø10mm
60 G-72 1F



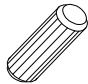
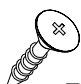

max. 5kg
KUH.30004
KUH.40009

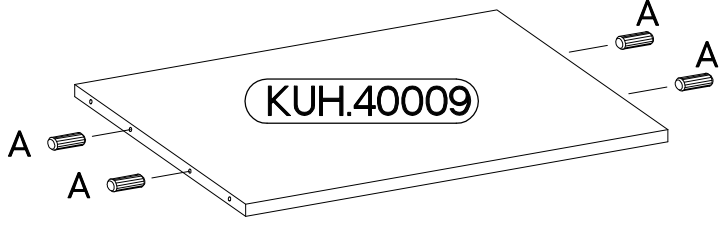
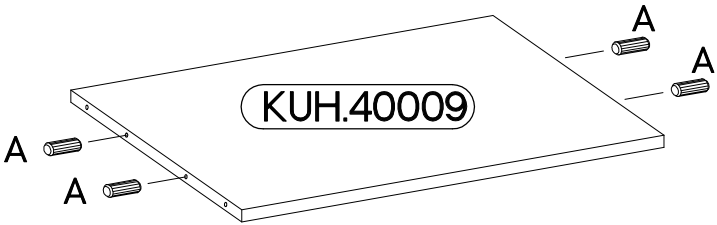
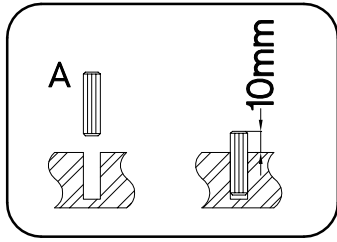
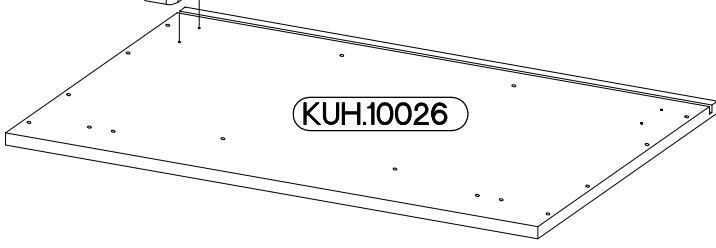
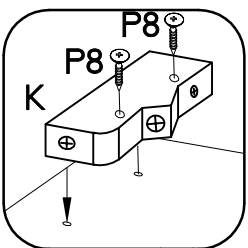
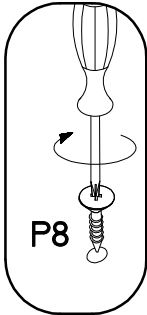
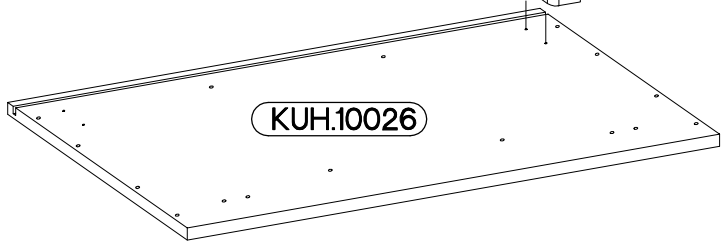
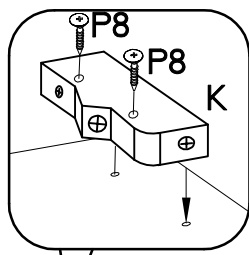
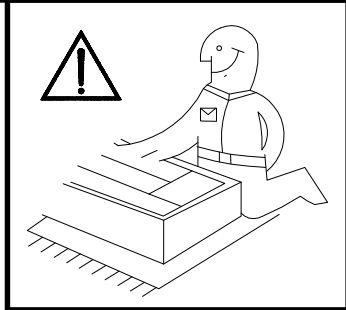


<p>†8x30mm A</p>	<p>6,4 x 50mm B</p>	<p>E1</p>	<p>†35/0mm HG</p>		
8	8	8	2		
<p>J</p>	<p>K</p>	<p>O</p>	<p>†3.5x13mm P5</p>	<p>†3.0x20mm P7</p>	<p>†4.0x30mm P8</p>
8	2	1	4	8-10	4



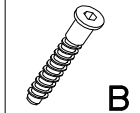
ISM-KUH-01142

 A	 P8	 K
8	4	2



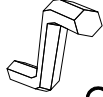
2

6,4 x 50mm



B

4



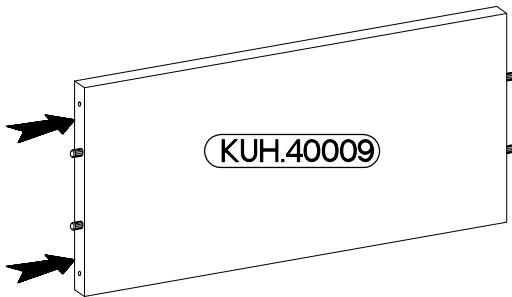
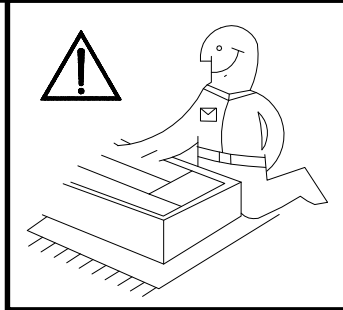
O

1

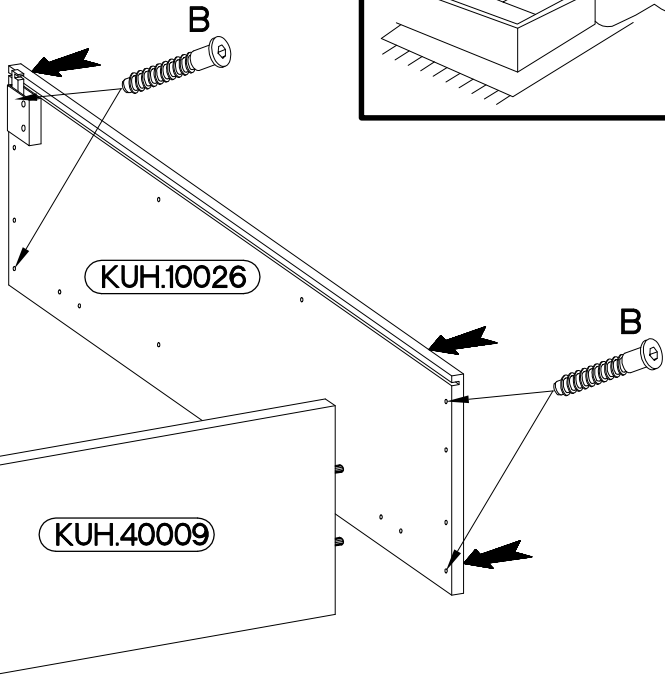


E1

4

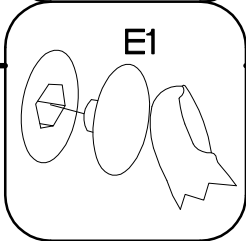
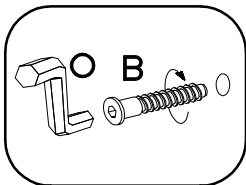


KUH.40009

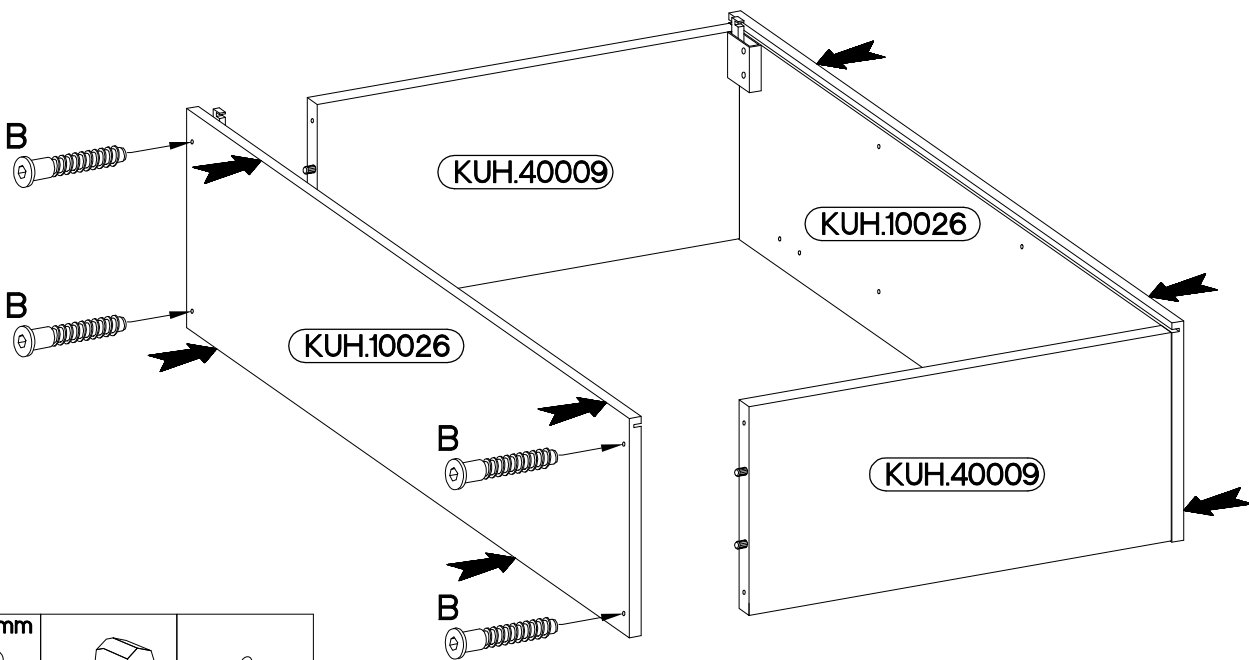


KUH.10026

KUH.40009



3



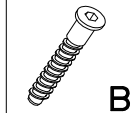
KUH.40009

KUH.10026

KUH.10026

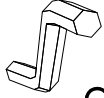
KUH.40009

6,4 x 50mm



B

4



O

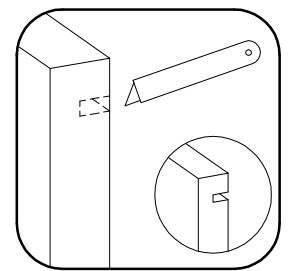
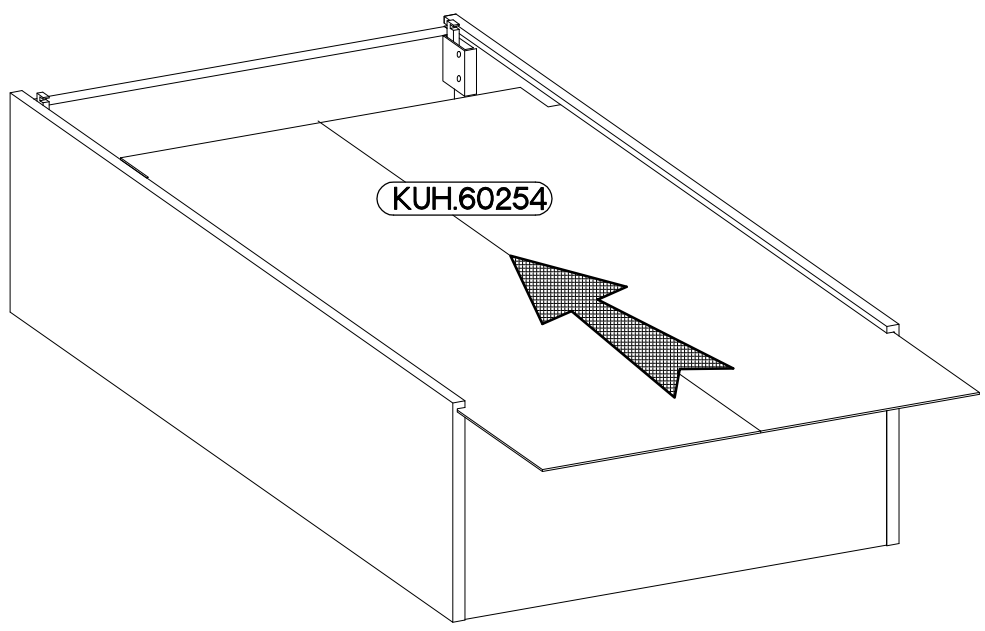
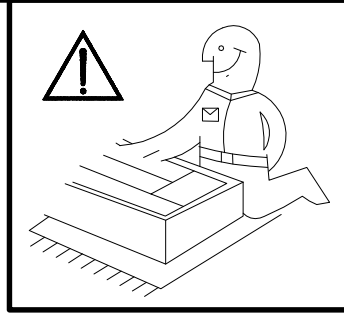
1



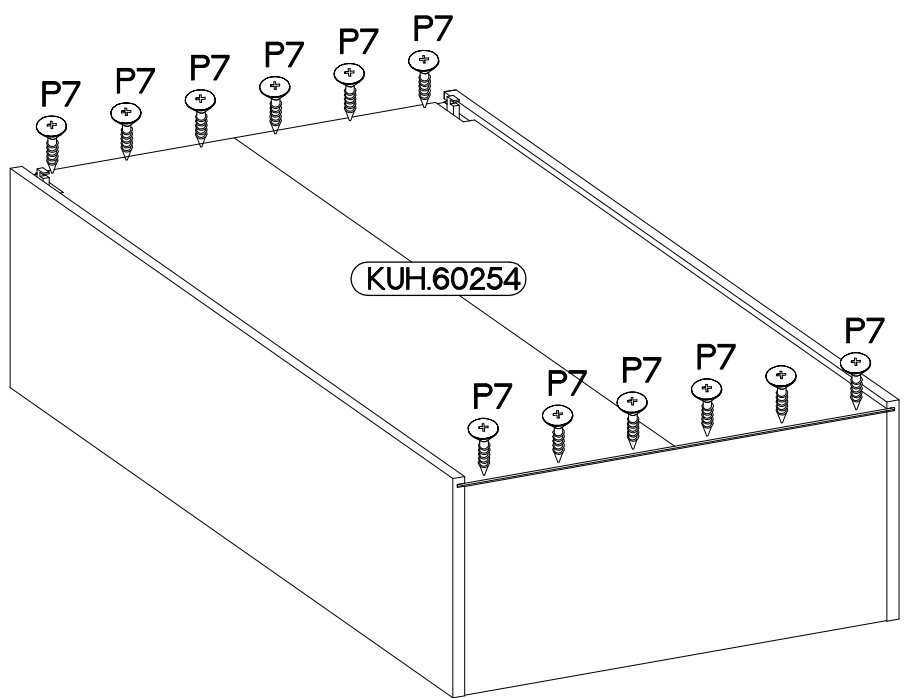
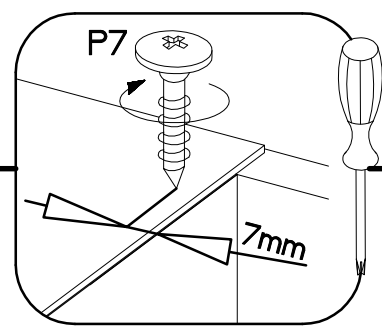
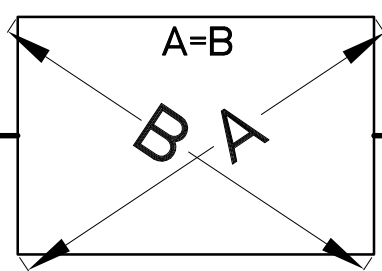
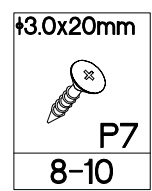
E1

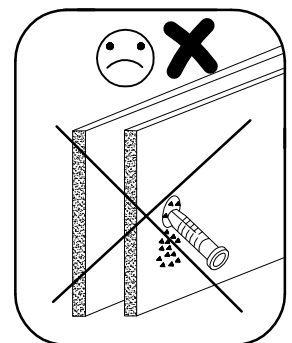
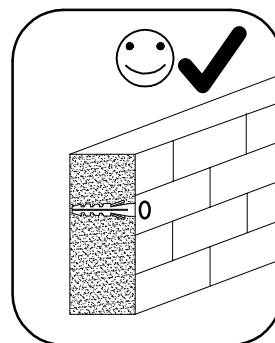
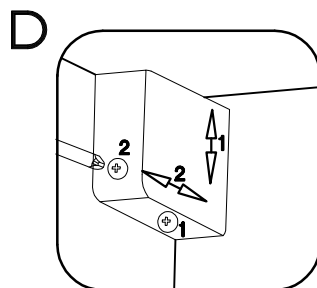
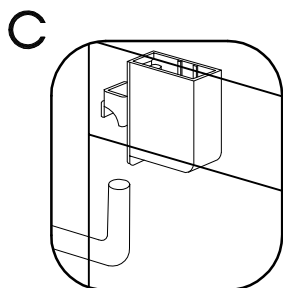
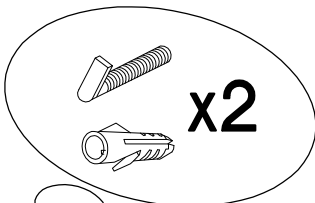
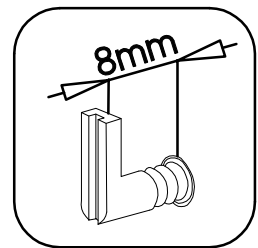
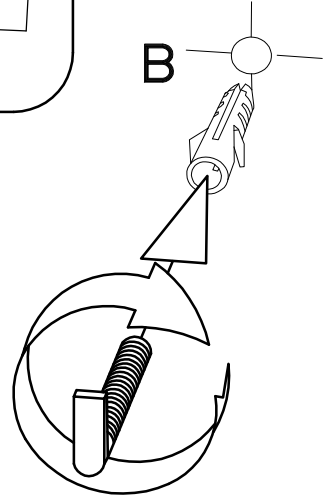
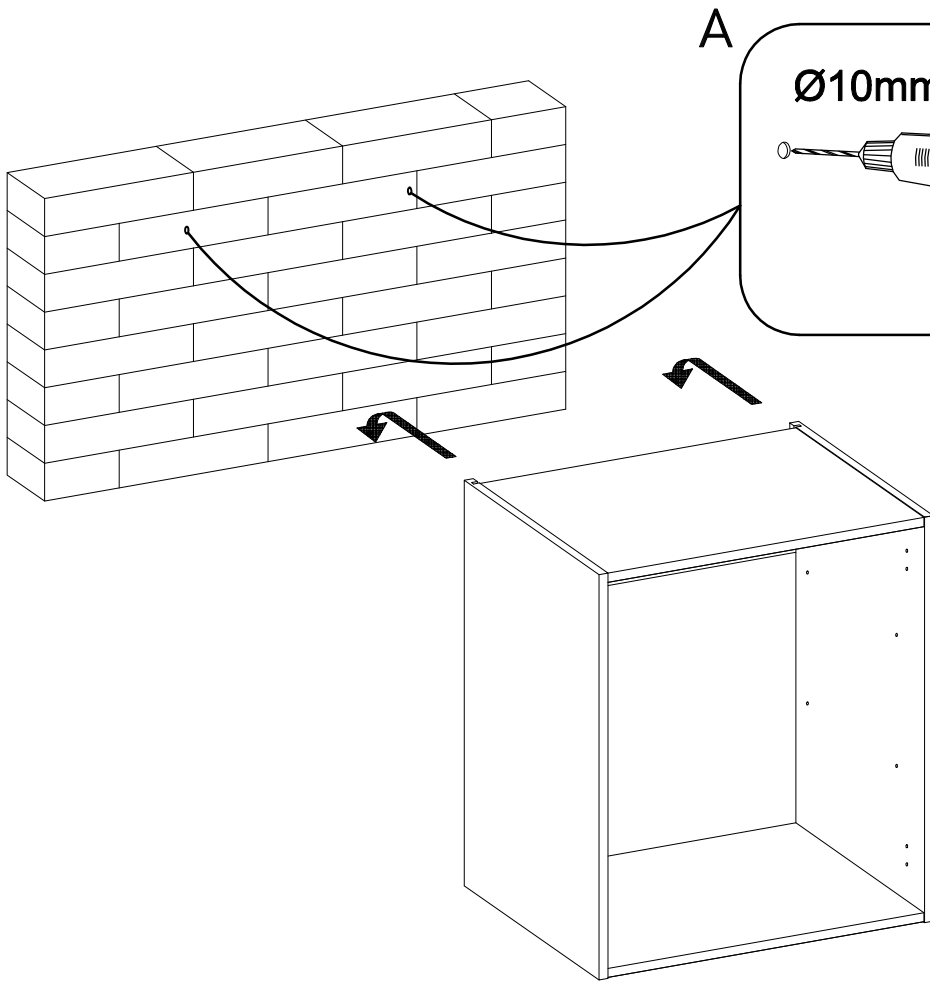
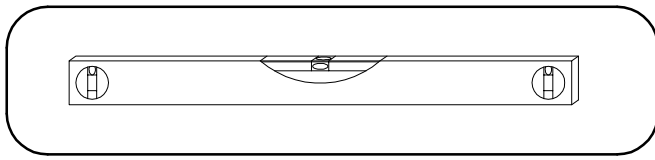
4

4

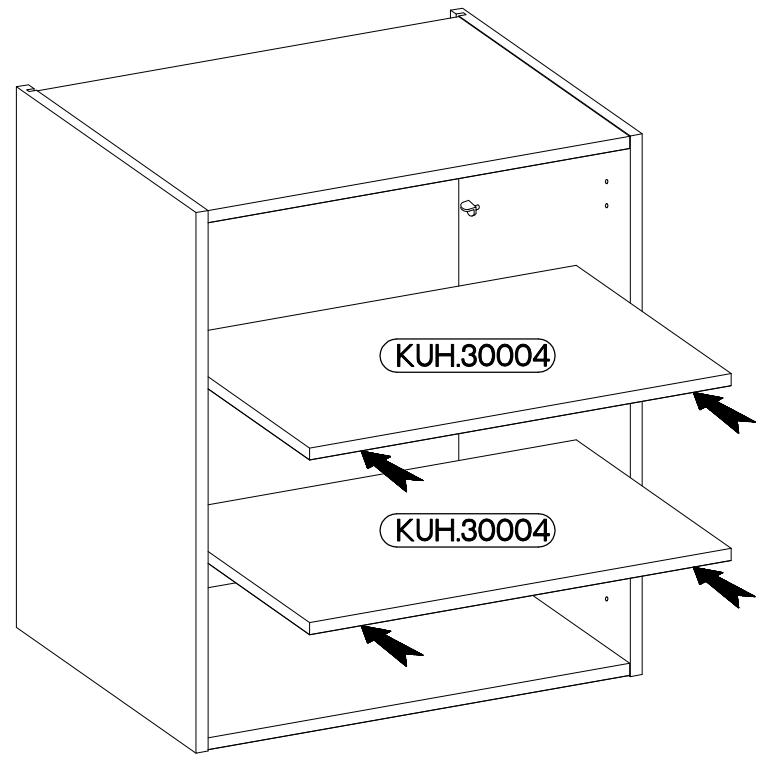
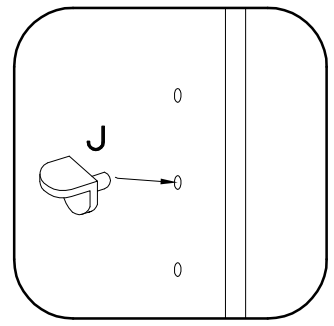
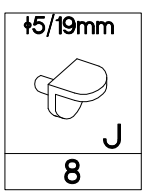


5



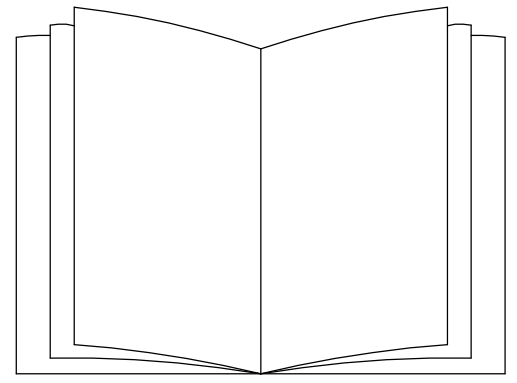
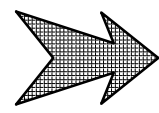
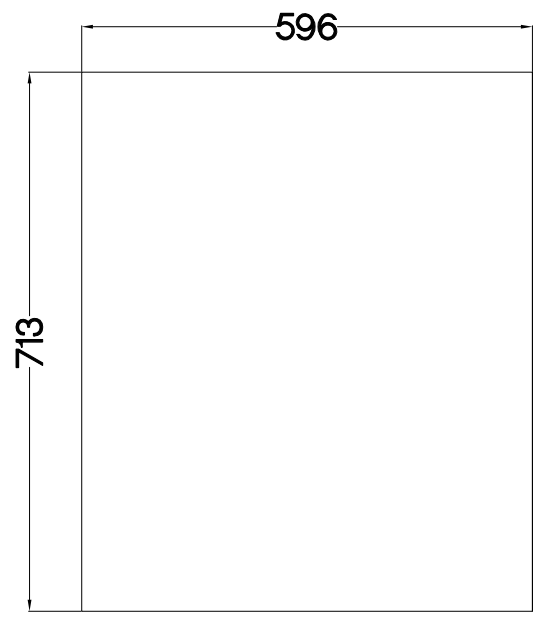


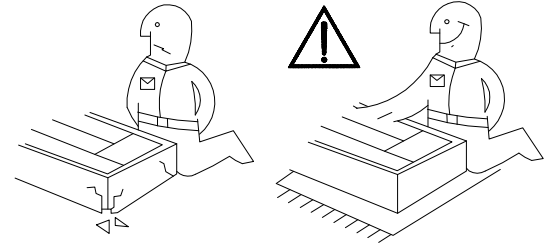
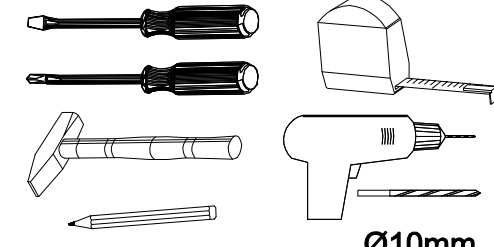
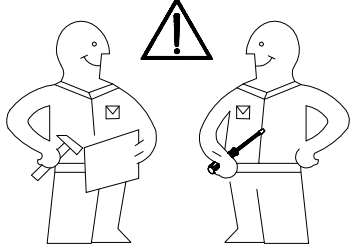
7



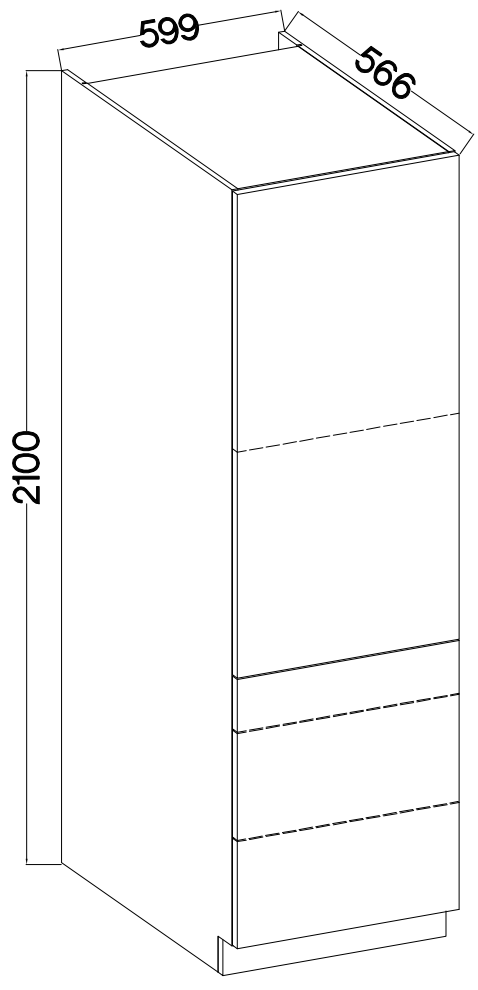
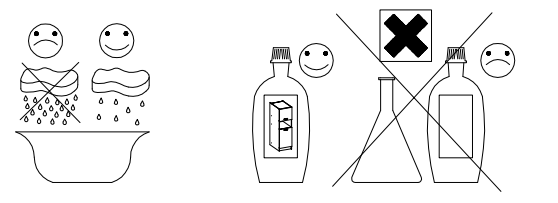
8

FRONT

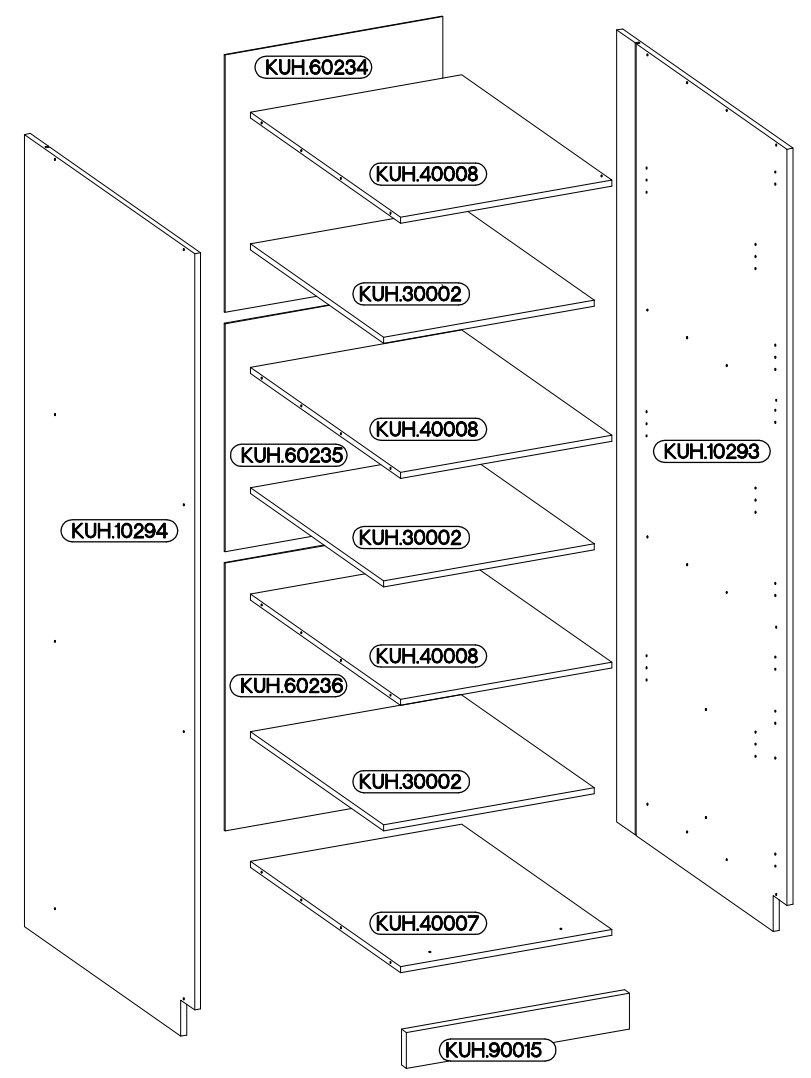
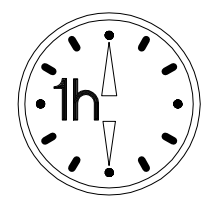




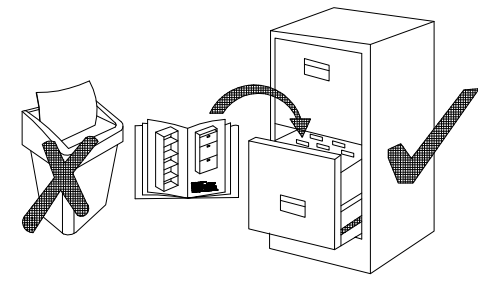
60 DP/DK-2100



max. 10kg
 KUH.30002
 KUH.40007
 KUH.40008

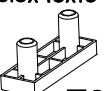
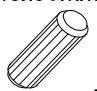


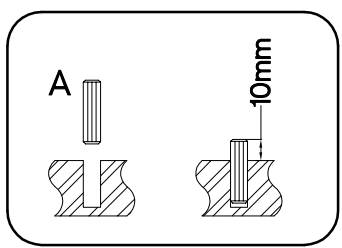
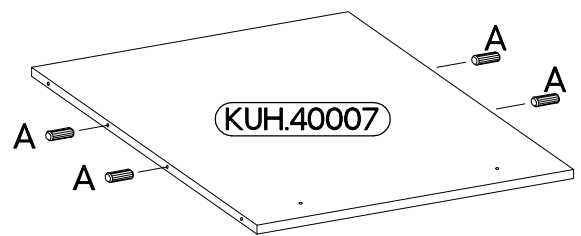
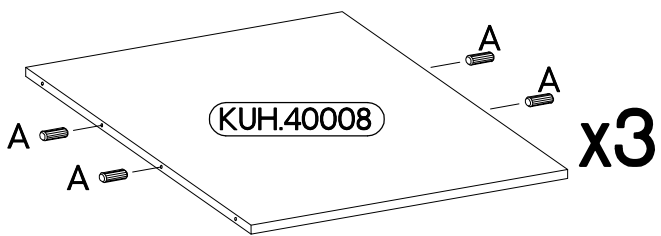
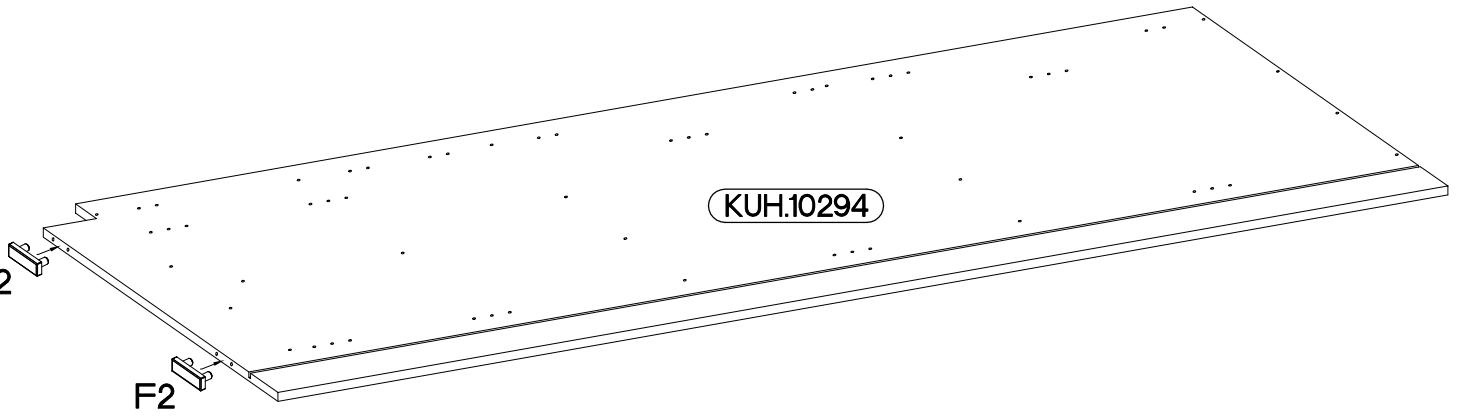
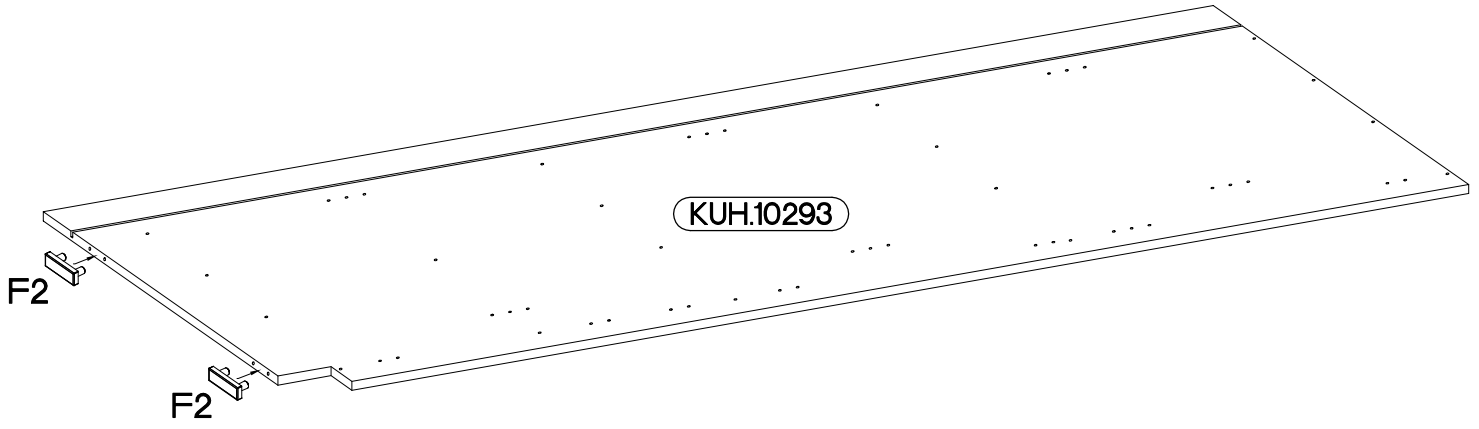
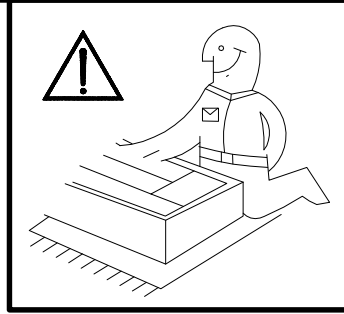
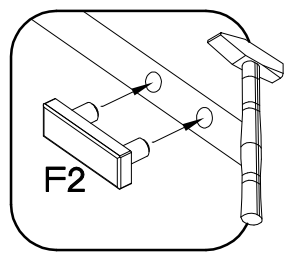
+8x30mm A 16	6,4 x 50mm B 16	E1 16	E9 2	6.5x48x16 F2 4	+35/0mm HG 5
+5/19mm J 12	L2 8	L25 1	O 1	+4.0x45mm P4 2	+3.5x13mm P5 12
				+3.0x20mm P7 15-20	



ISM-KUH-01147

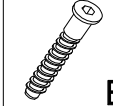
1

6.5x48x16	+8x30mm
	
F2	A
4	16



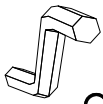
2

6,4 x 50mm



B

8



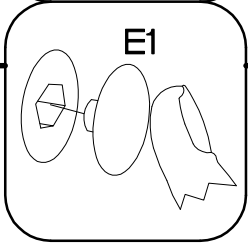
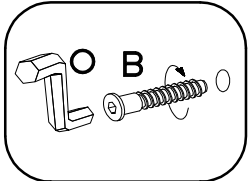
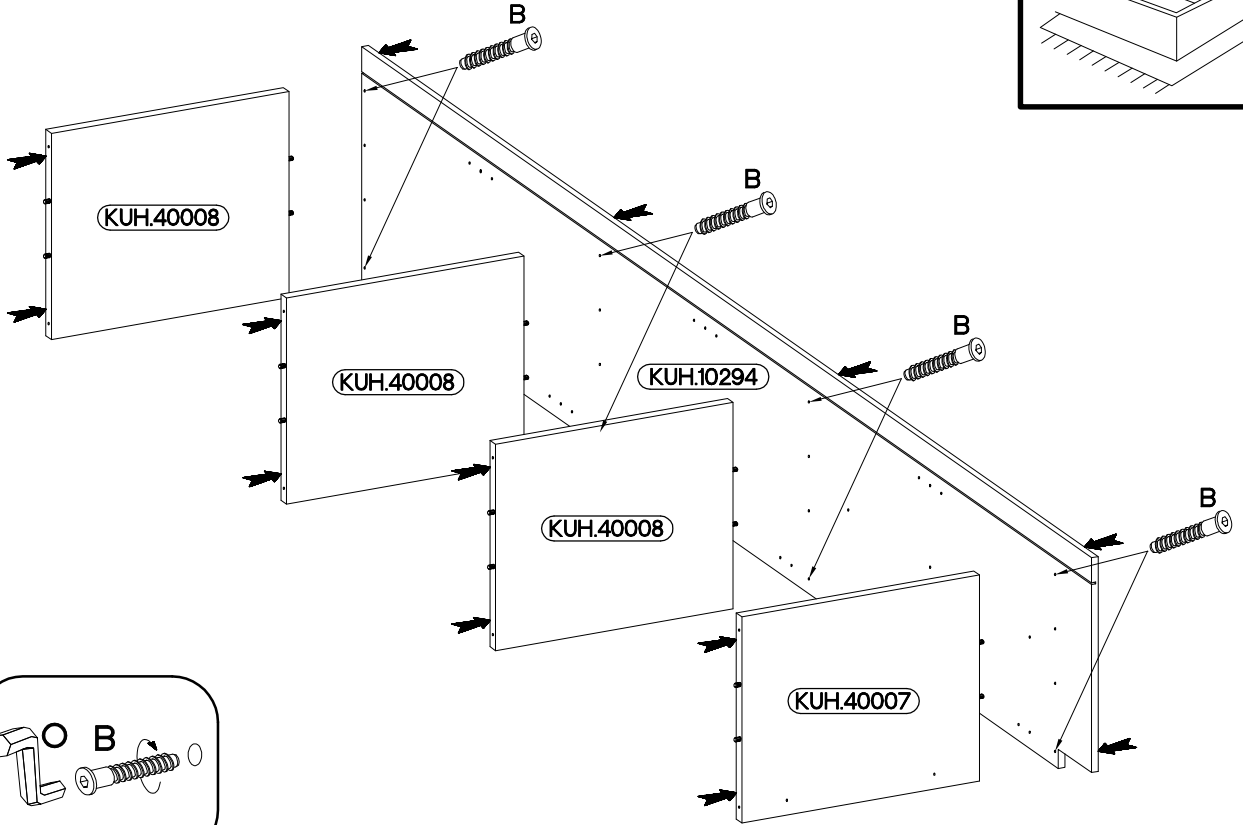
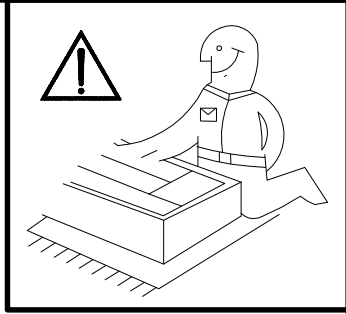
O

1

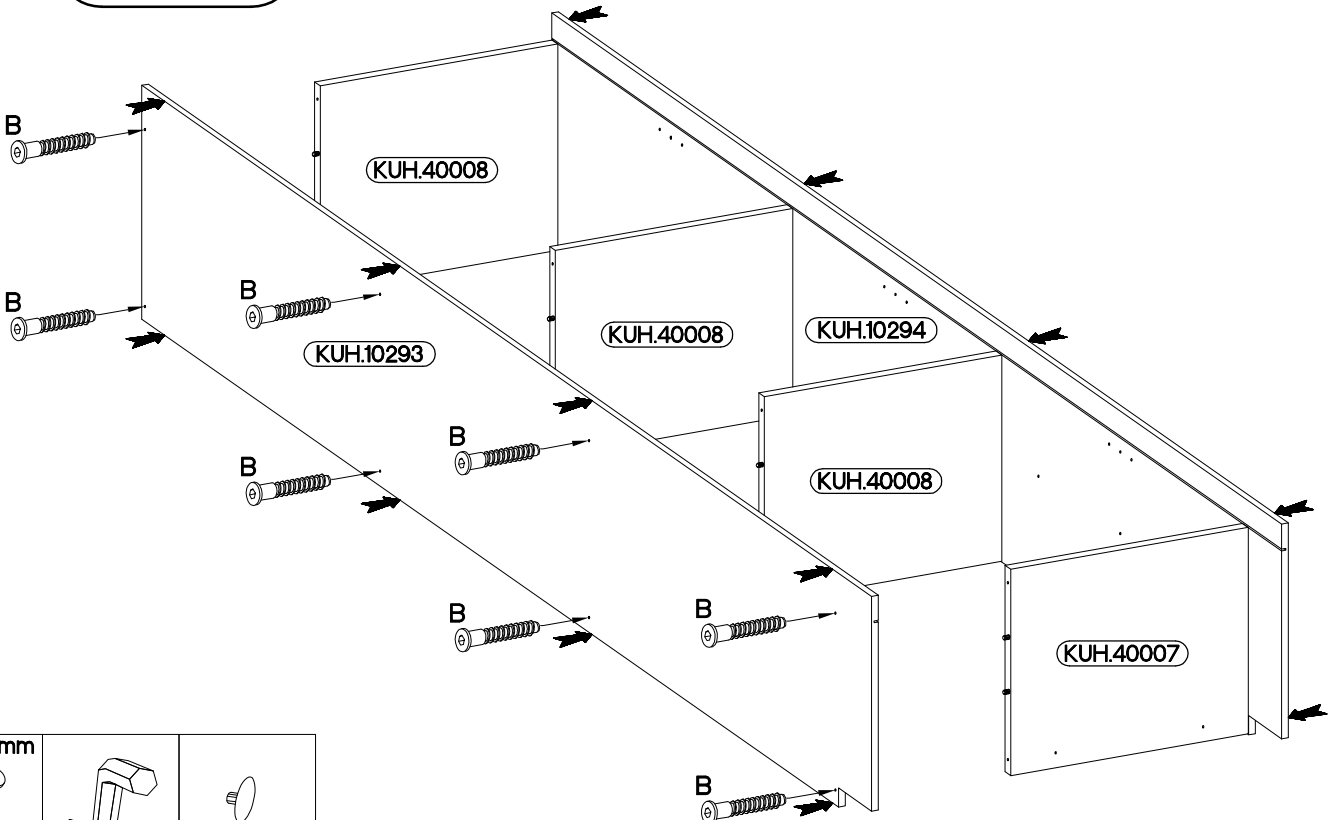


E1

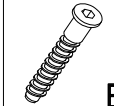
8



3

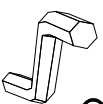


6,4 x 50mm



B

8



O

1

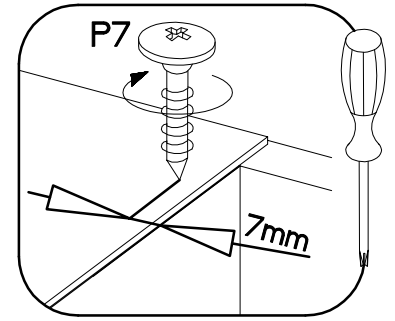
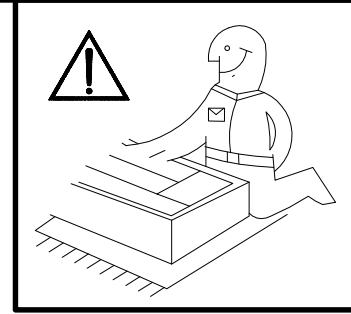
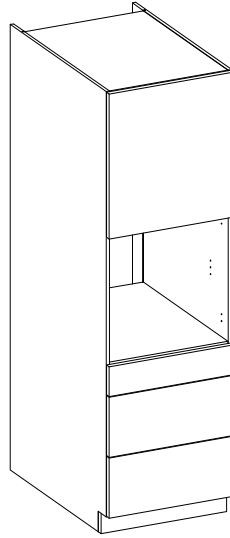
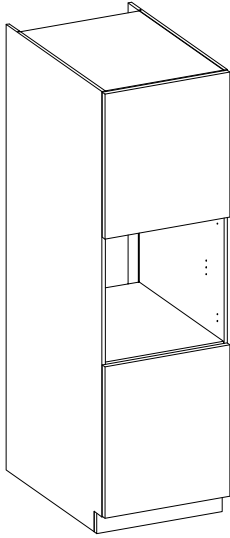


E1

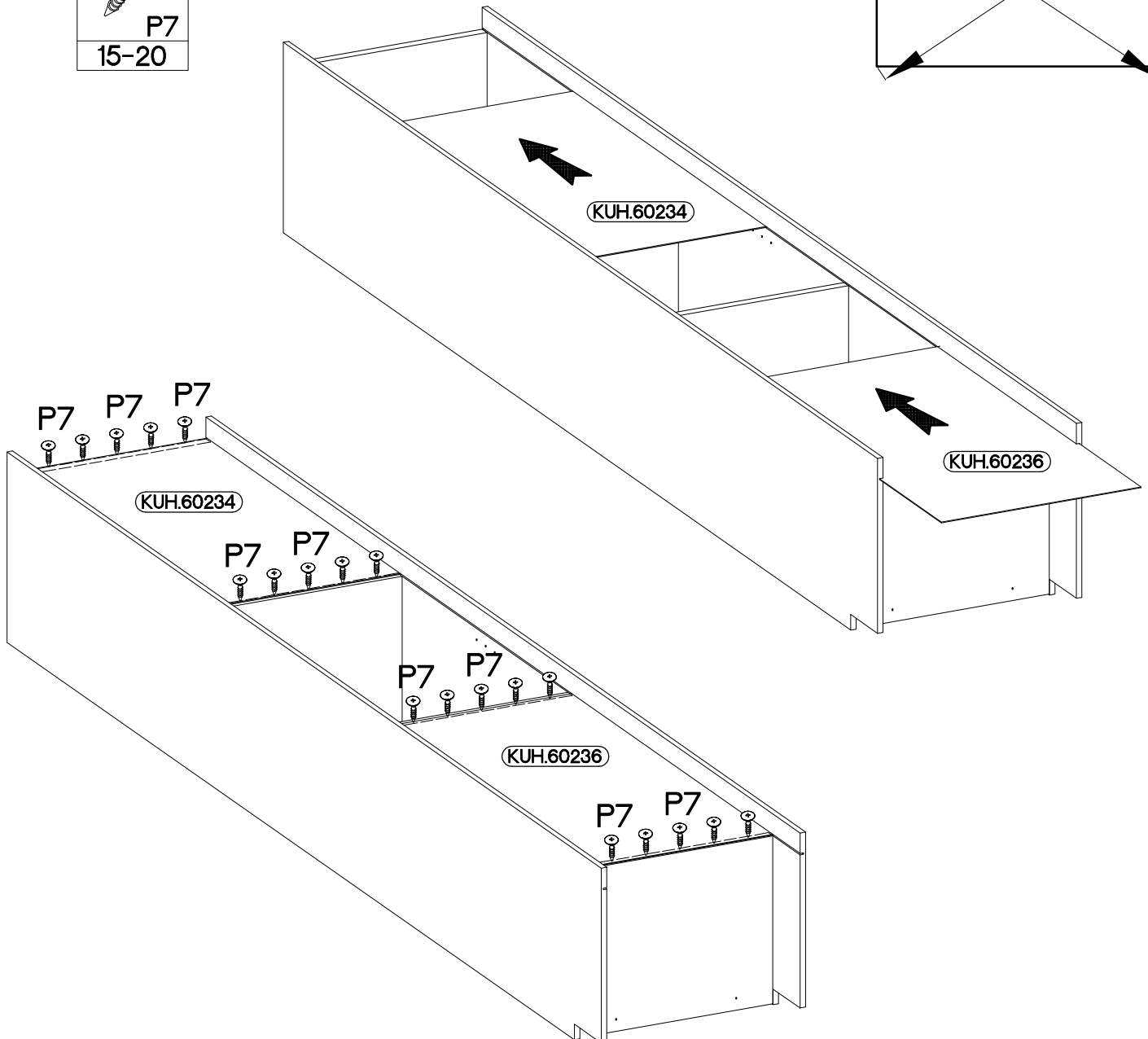
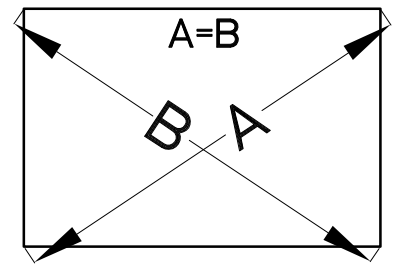
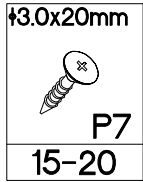
8

60 DP-2100 2F

60 DPS-2100 1F 3S

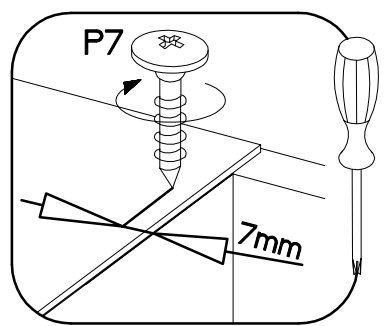
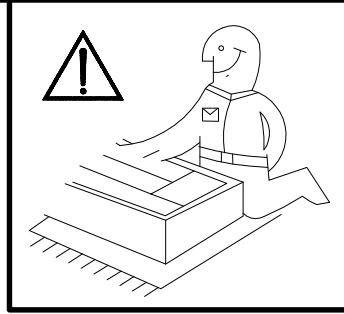
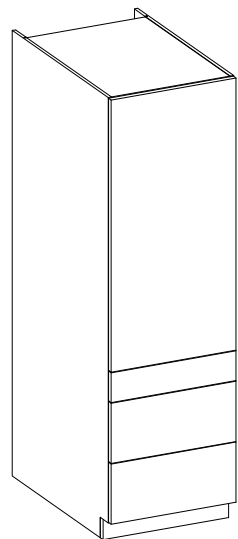
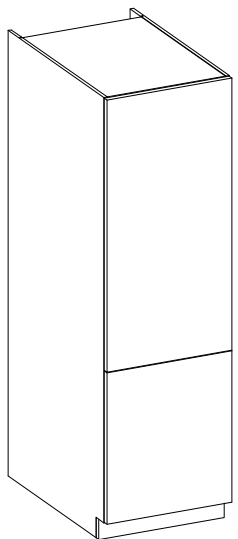


4



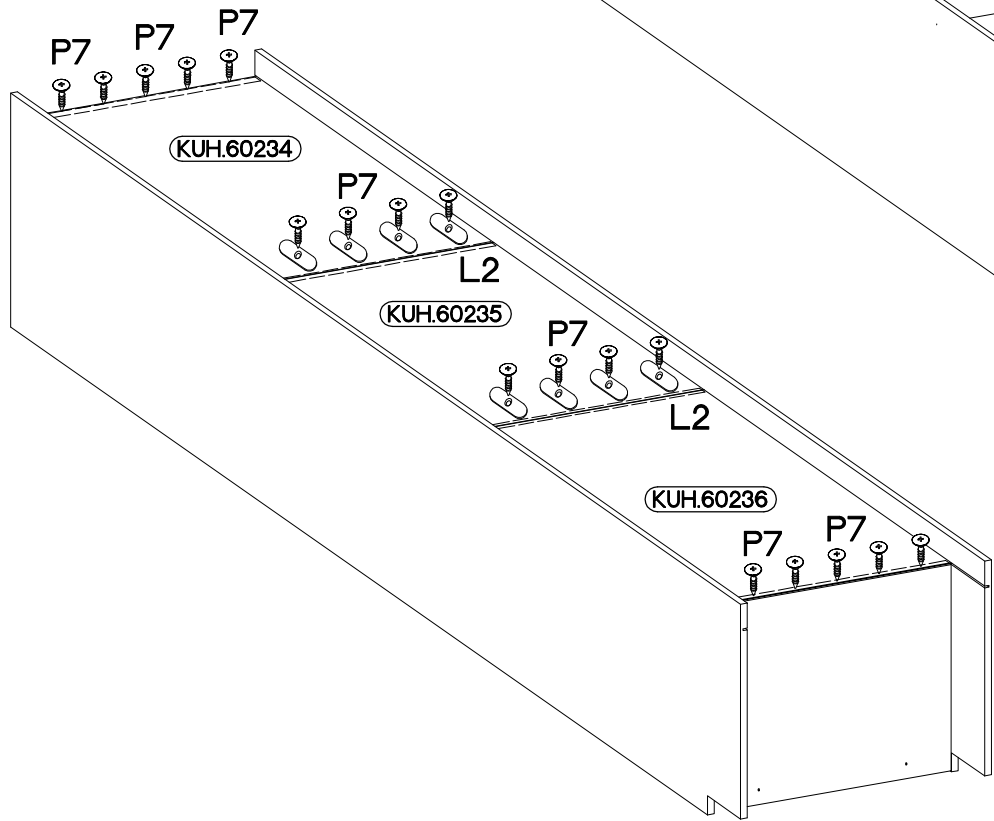
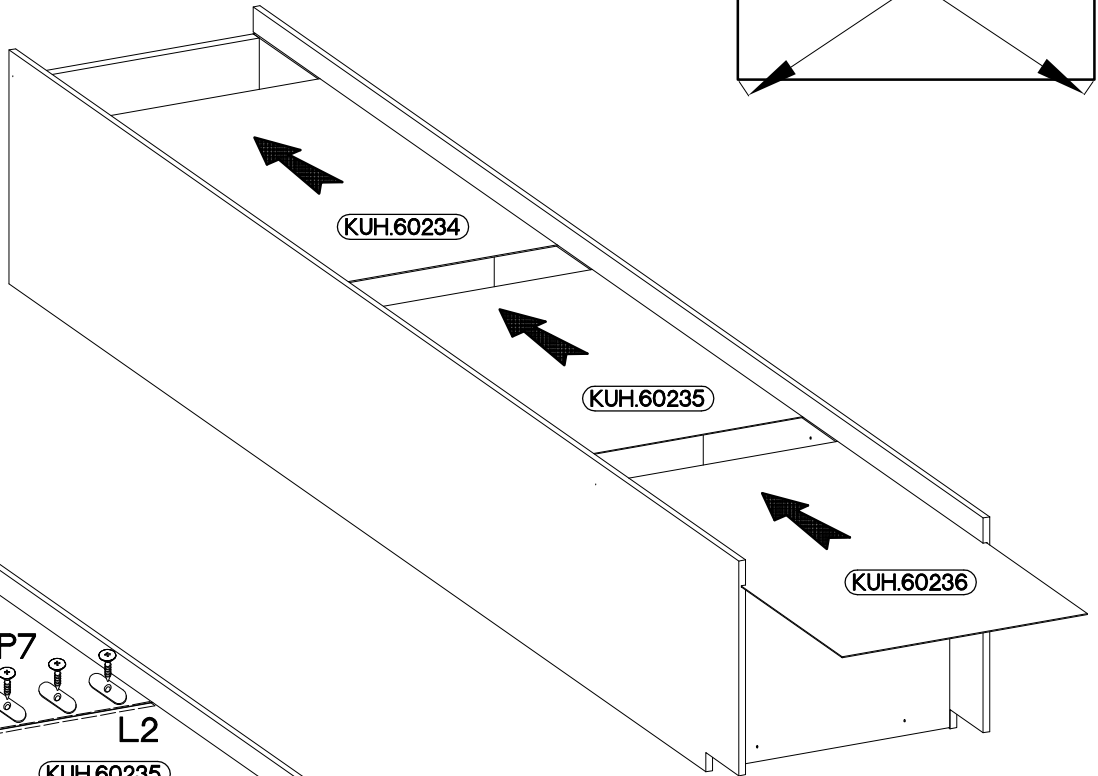
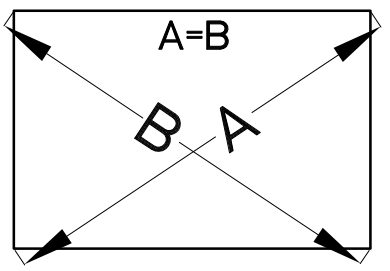
60 DK-2100 2F

60 DKS-2100 1F 3S



5

$\pm 3.0 \times 20 \text{mm}$	
P7	L2
15-20	8



6

+4.0x45mm



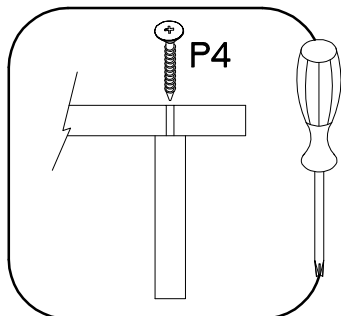
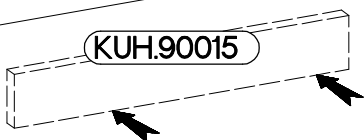
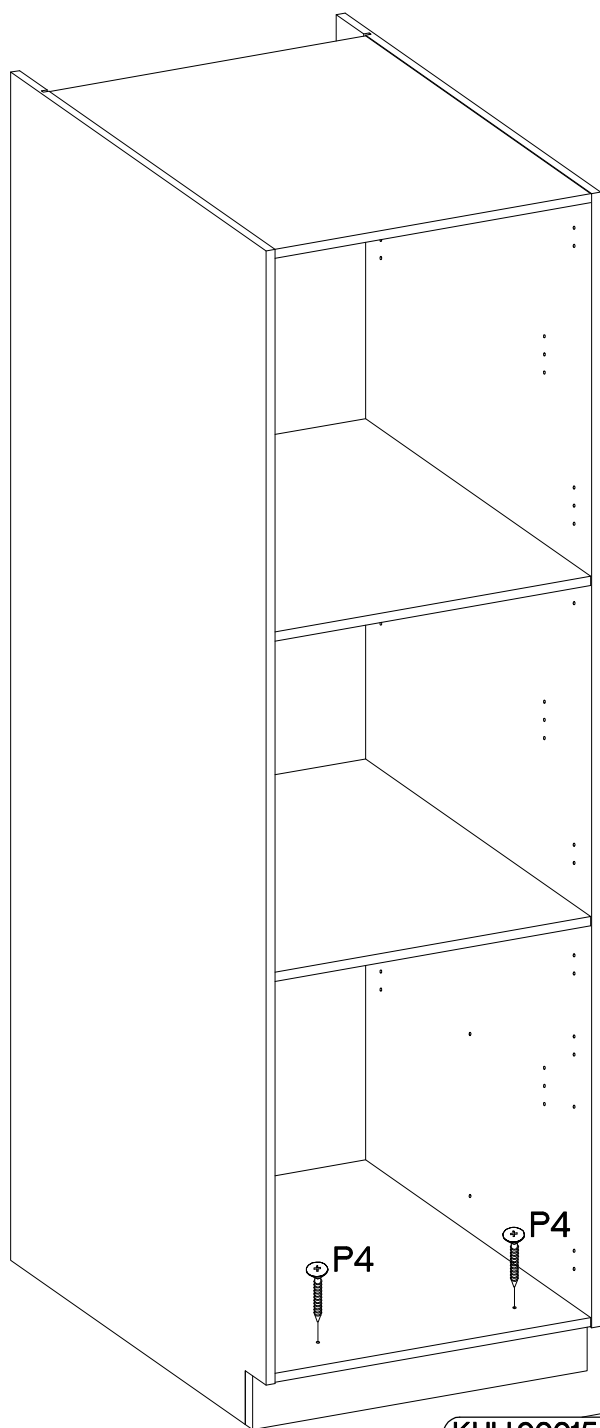
P4

2



E9

2



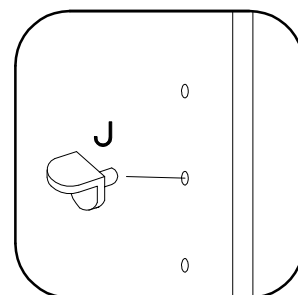
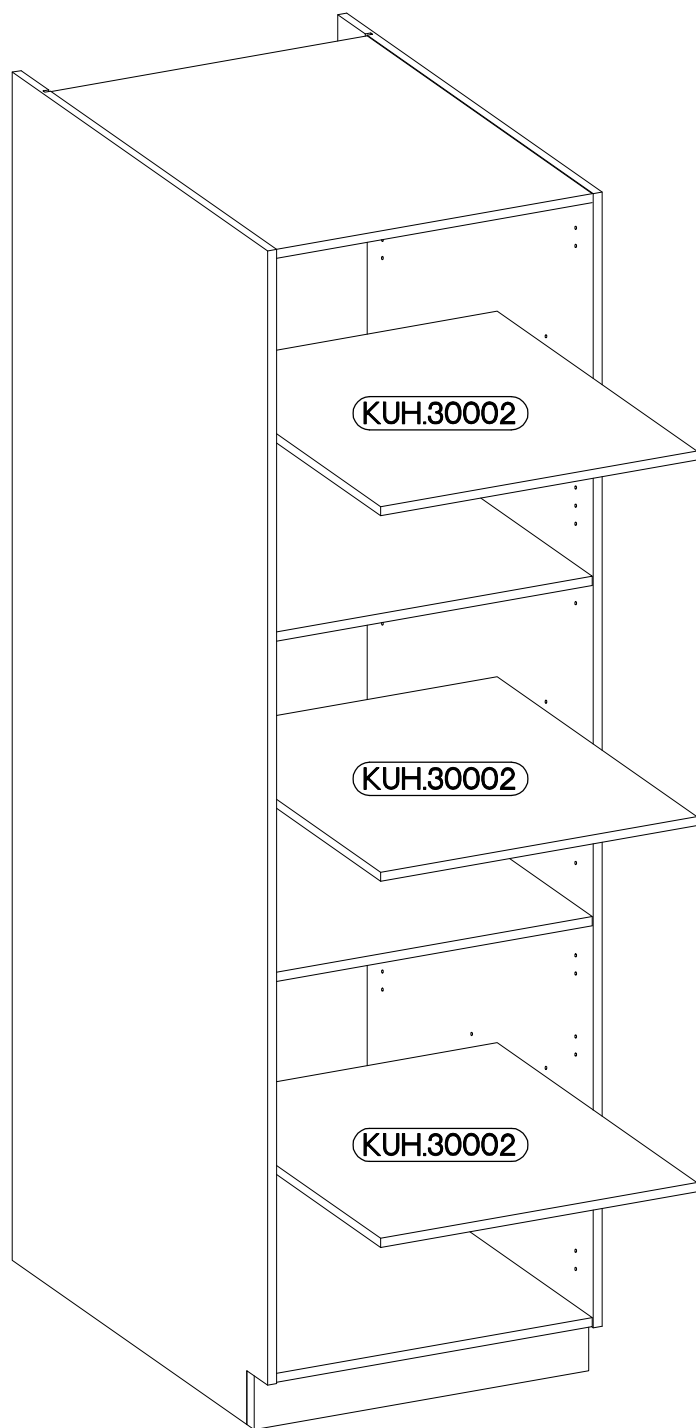
7

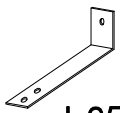

+5/19mm

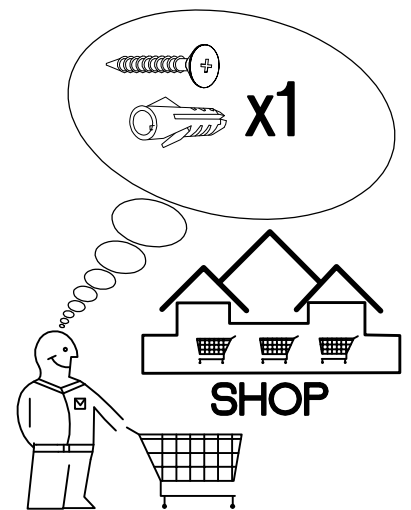
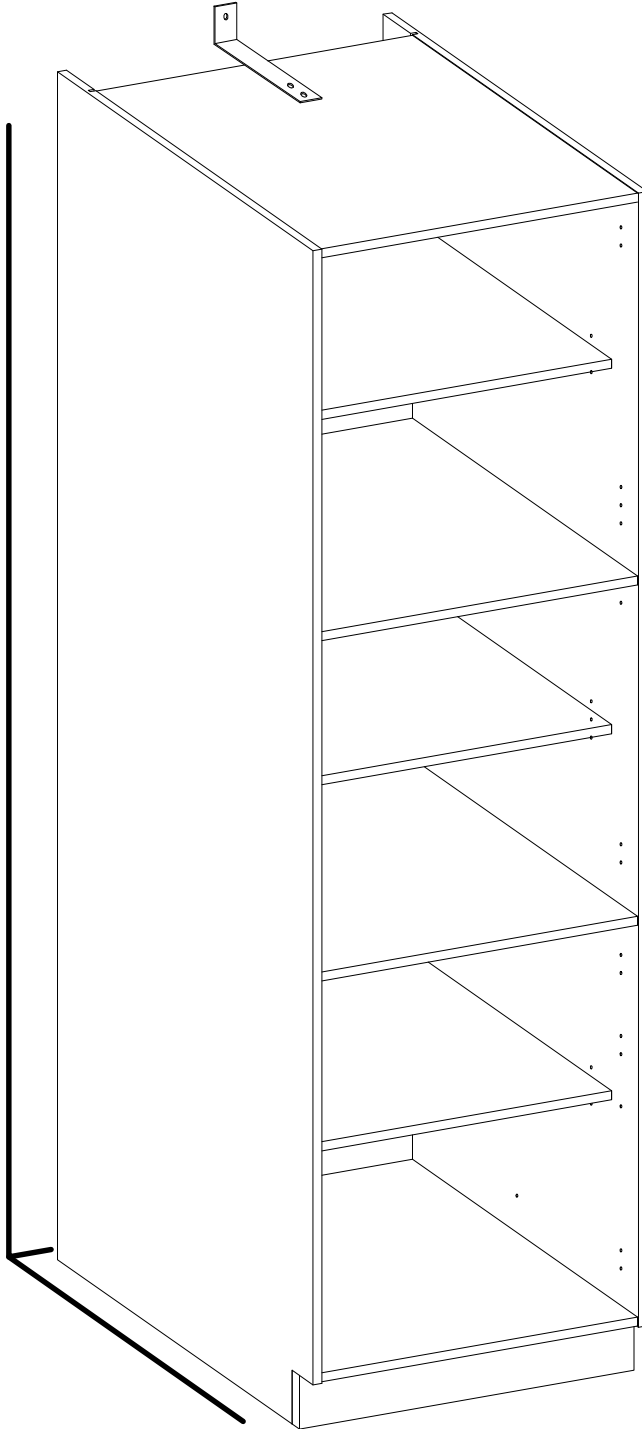
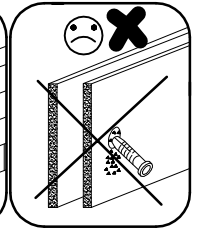
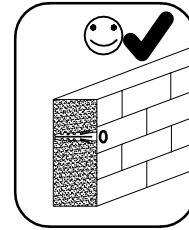
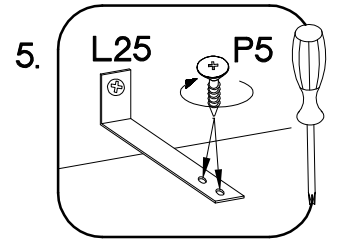
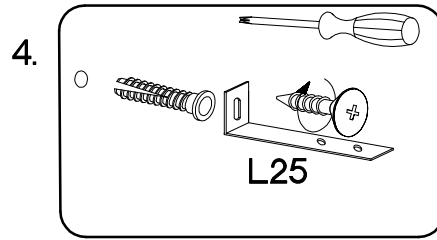
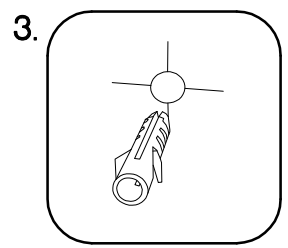
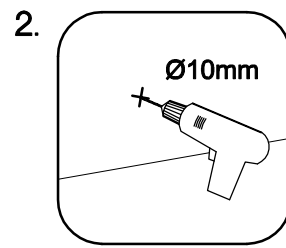
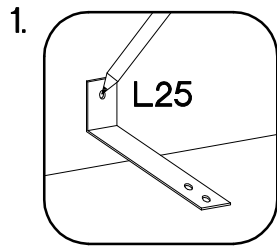


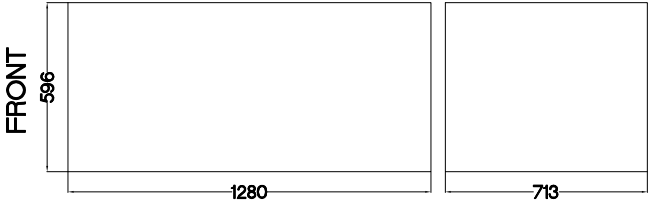
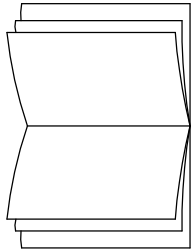
J

12

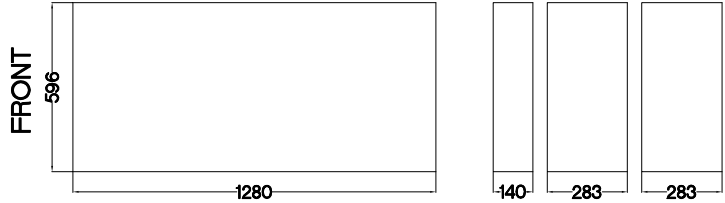
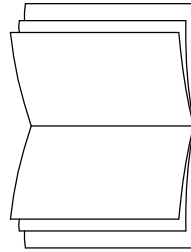
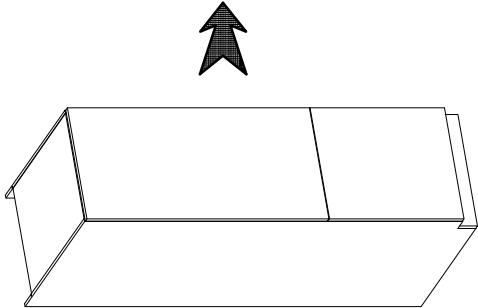


 L25 1	$\pm 3.5 \times 13 \text{mm}$  P5 2
--	--

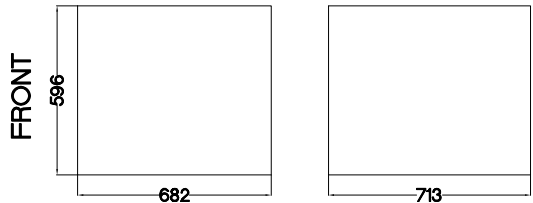
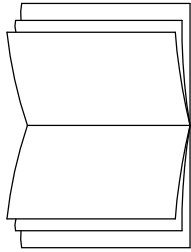
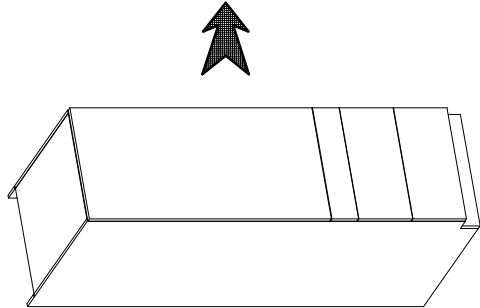




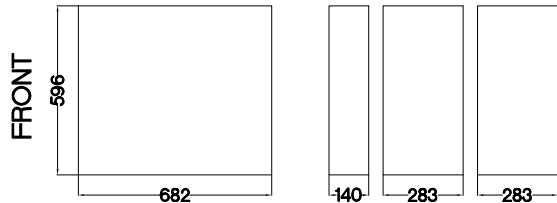
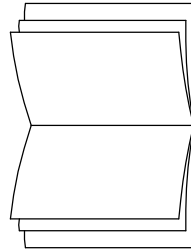
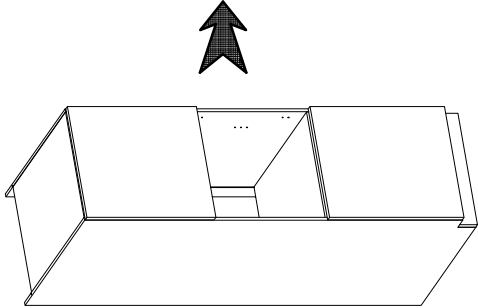
60 DK-2100 2F



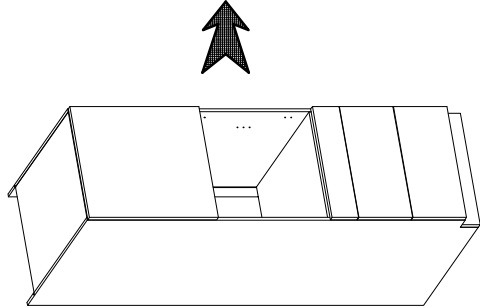
60 DKS-2100 1F 3S

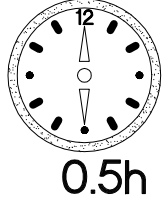
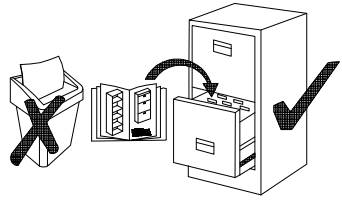
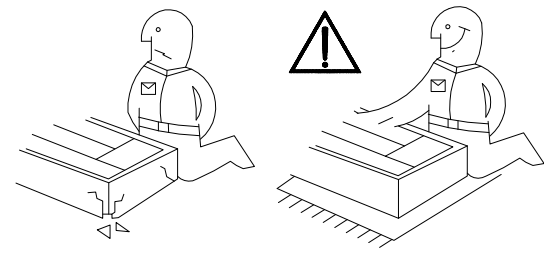
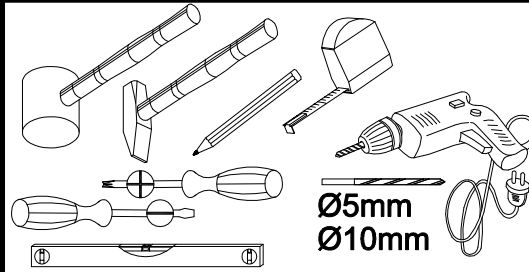
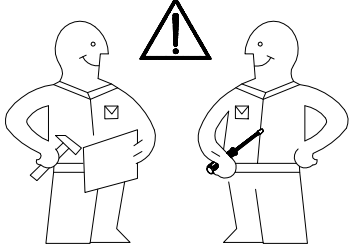


60 DP-2100 2F



60 DPS-2100 1F 3S

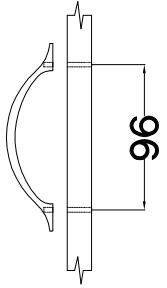
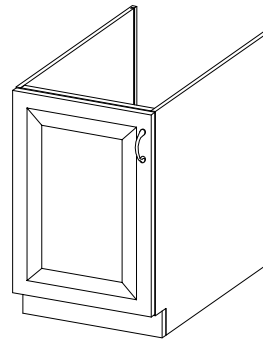
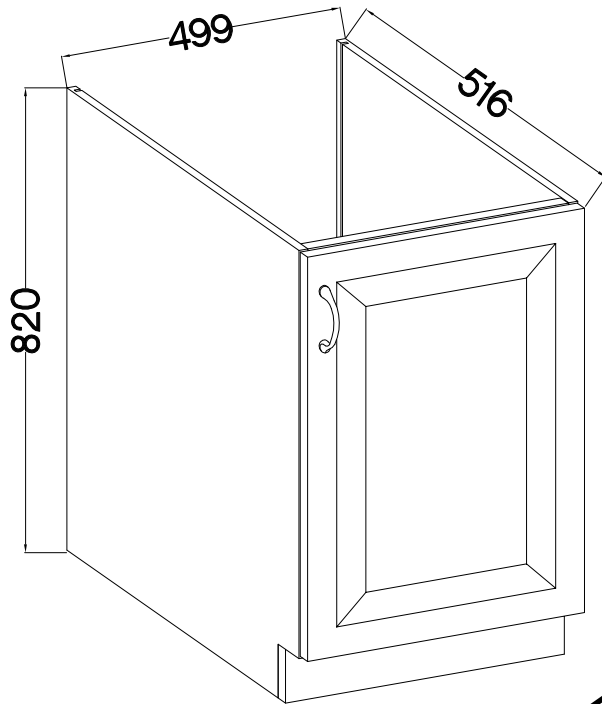




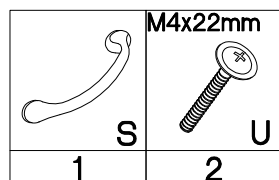
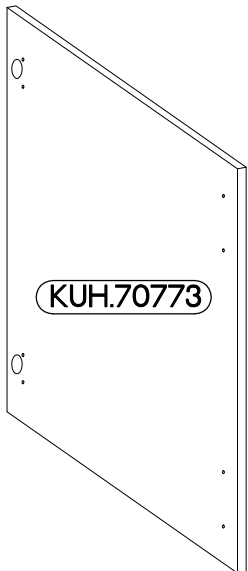
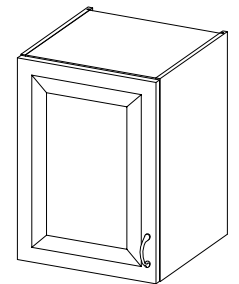
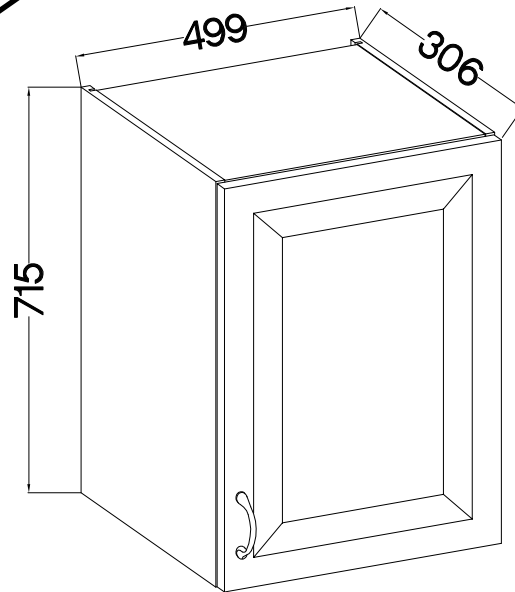
FRONT



50 ZL 1F BB



50 G-72 1F



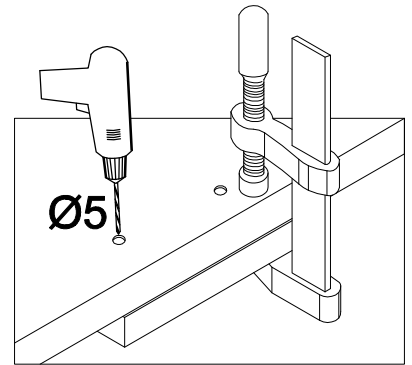
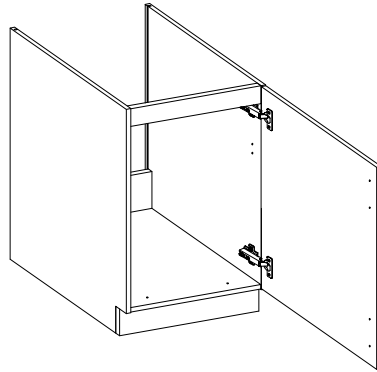
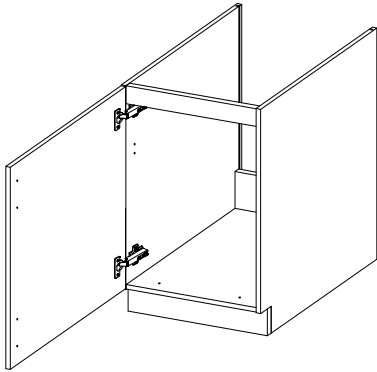
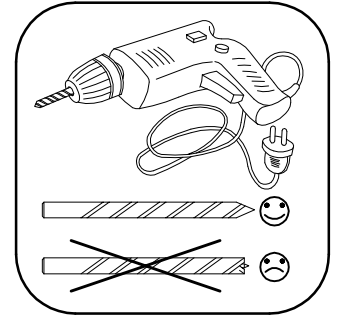
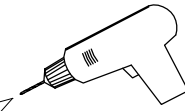
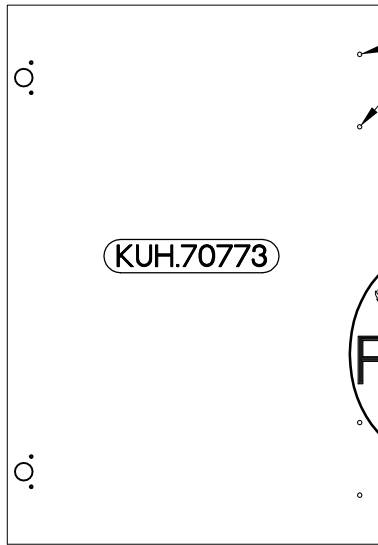
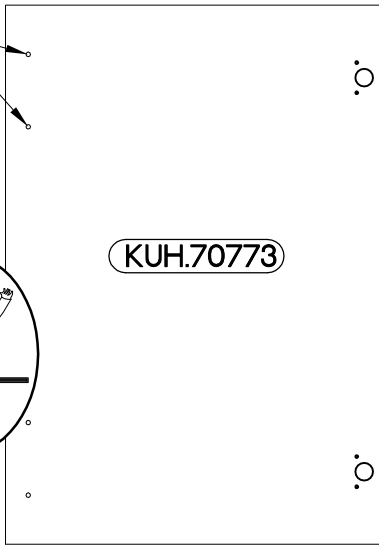
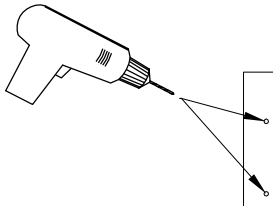
ISM-KUH-01191

1

50 ZL 1F BB

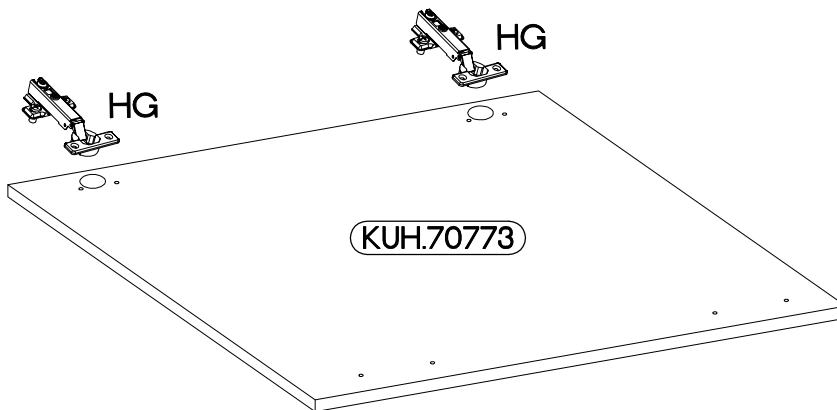
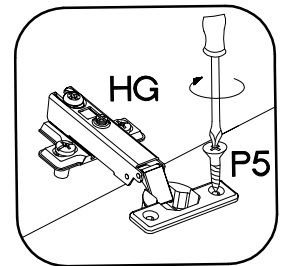
LEFT

RIGHT





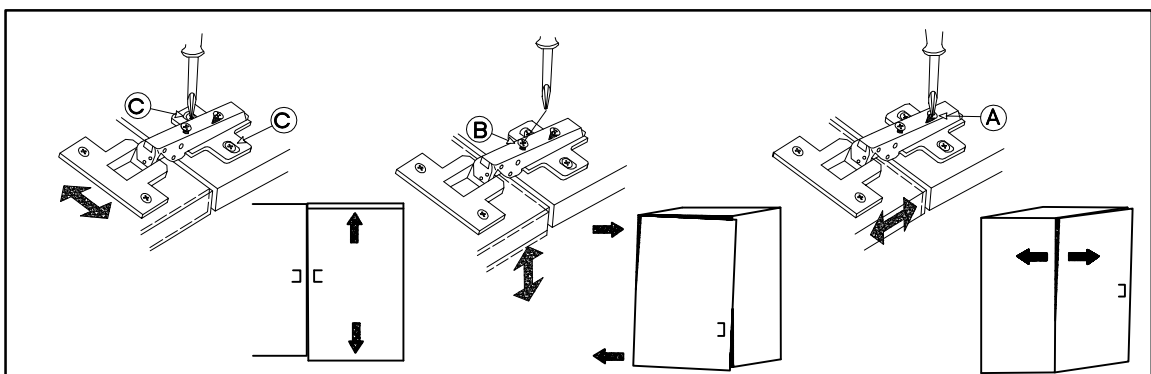
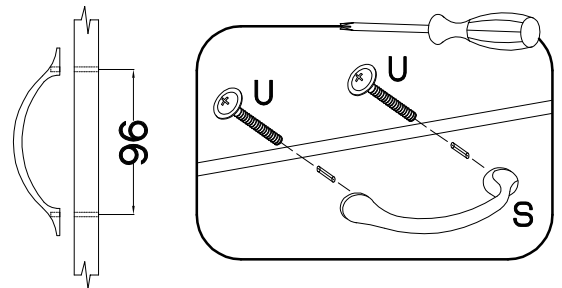
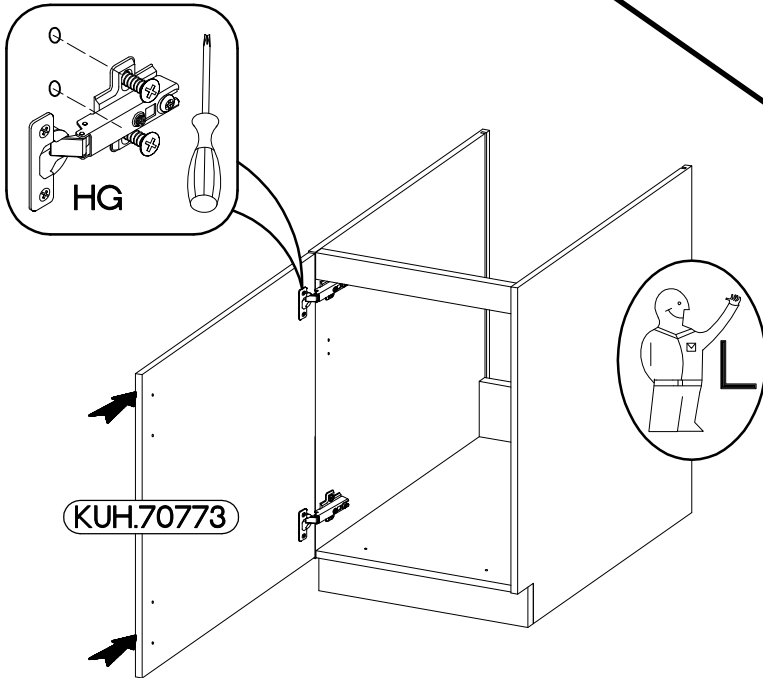
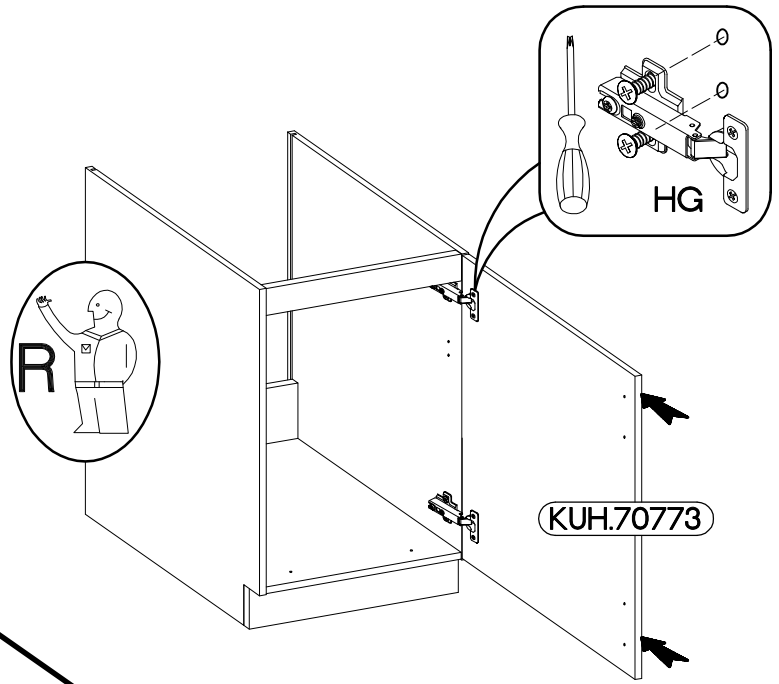
2

+35/0mm	+3.5x13mm
HG	P5
2	4



3

M4x22mm	
	
U	S
2	1

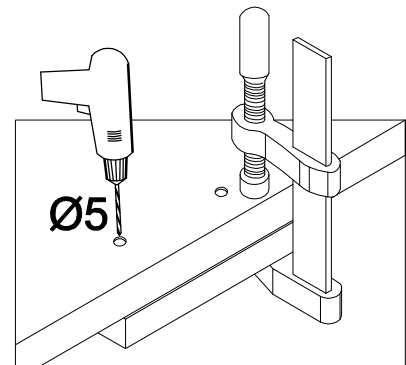
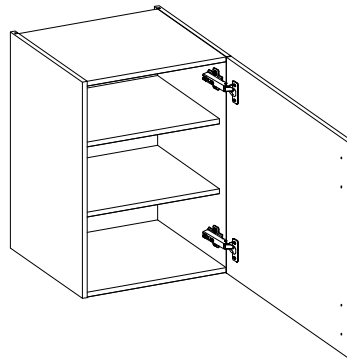
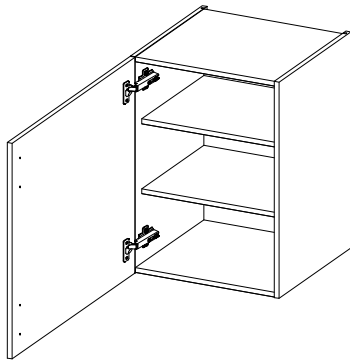
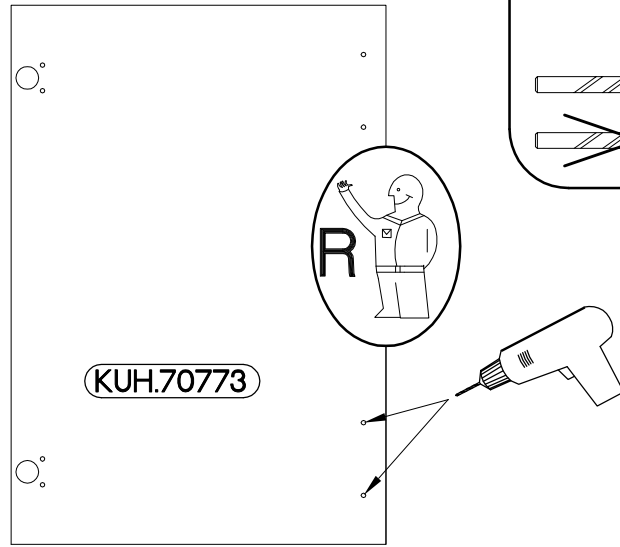
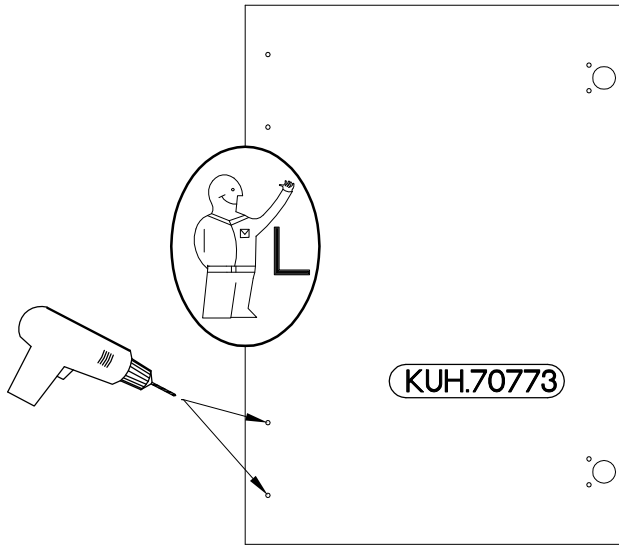
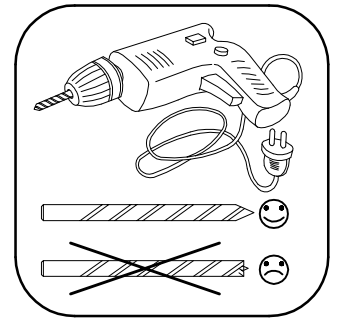


4



50 G-72 1F

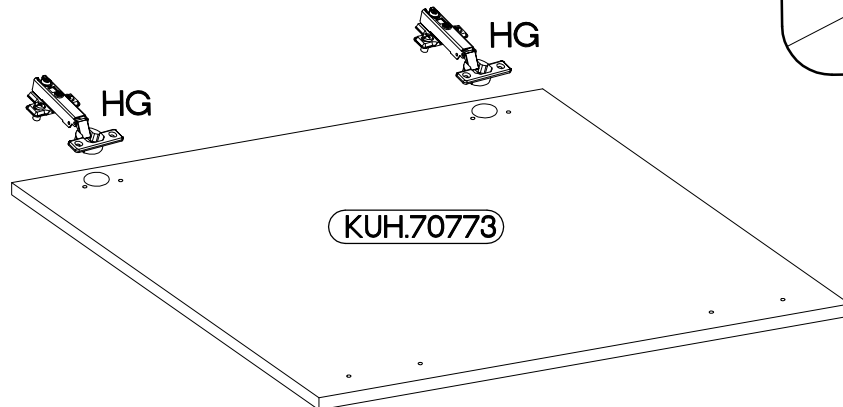
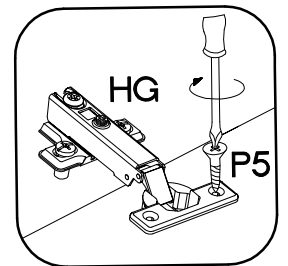
LEFT

RIGHT



5

 HG 2	 P5 4
--	--



6

M4x22mm



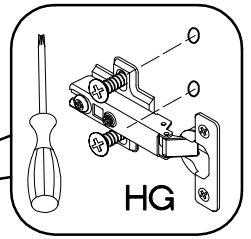
U

2

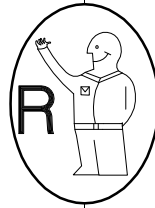


S

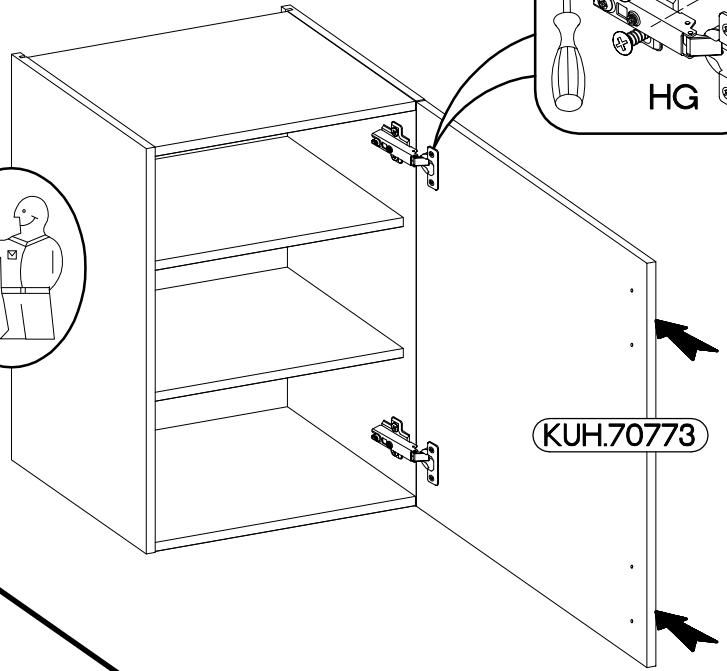
1



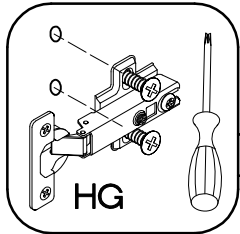
HG



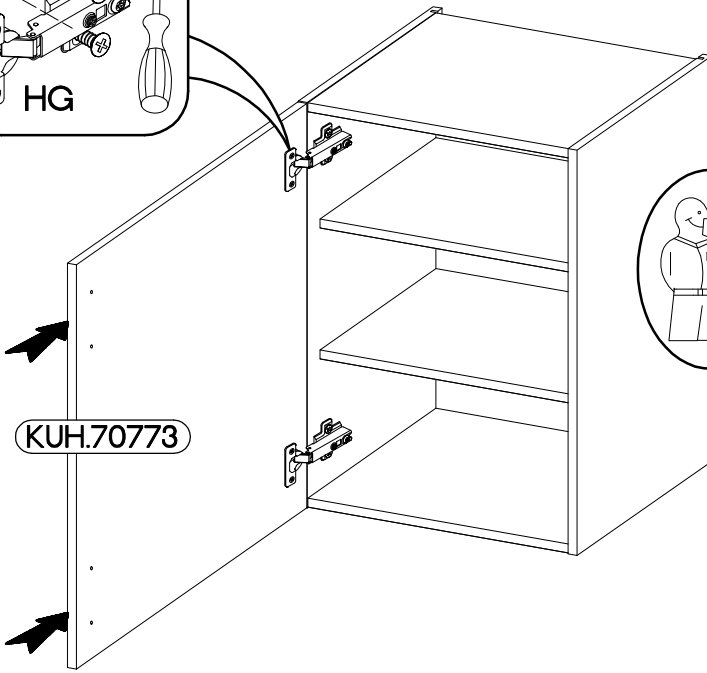
R



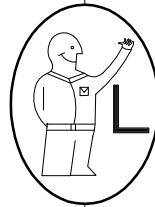
KUH.70773



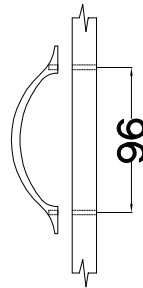
HG



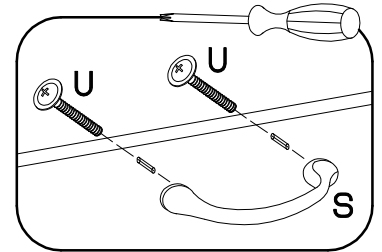
KUH.70773



L

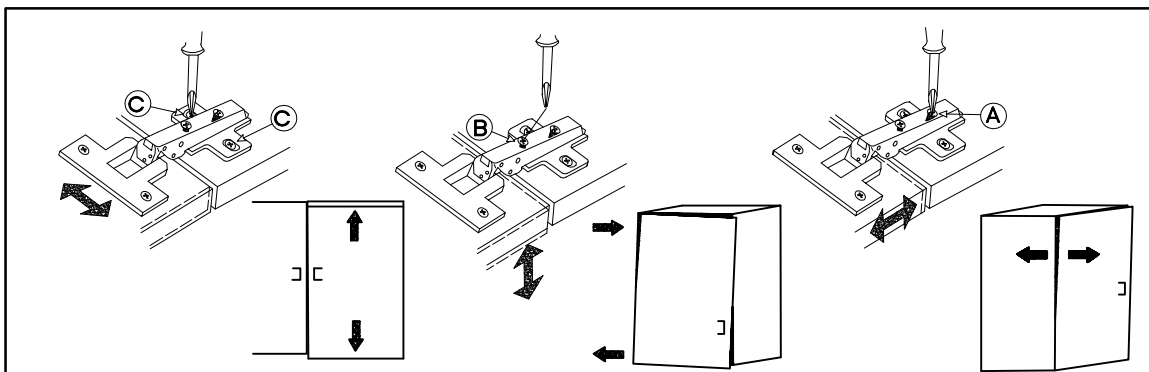


96

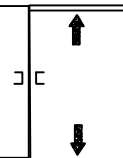


U

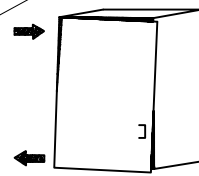
S



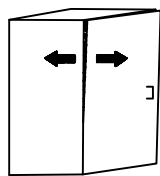
C

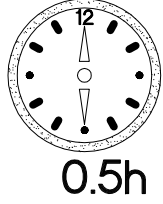
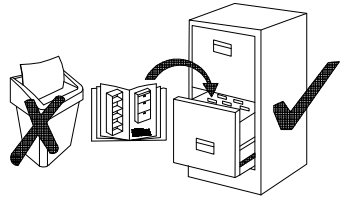
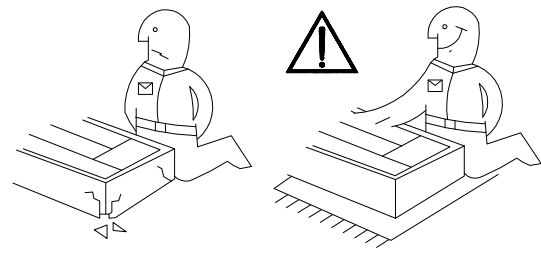
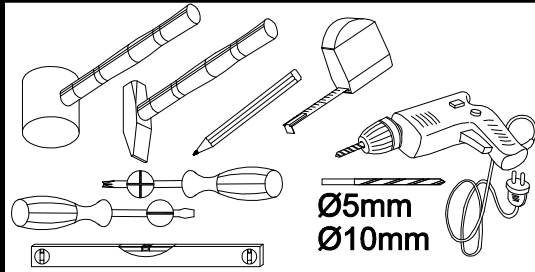
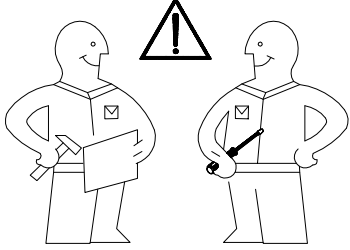


B

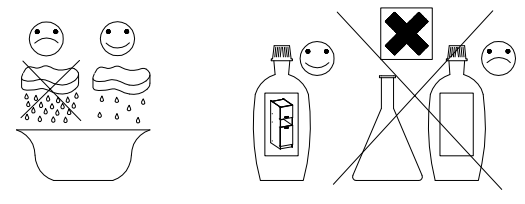


A

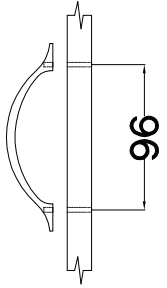
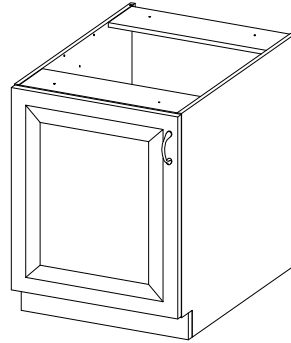
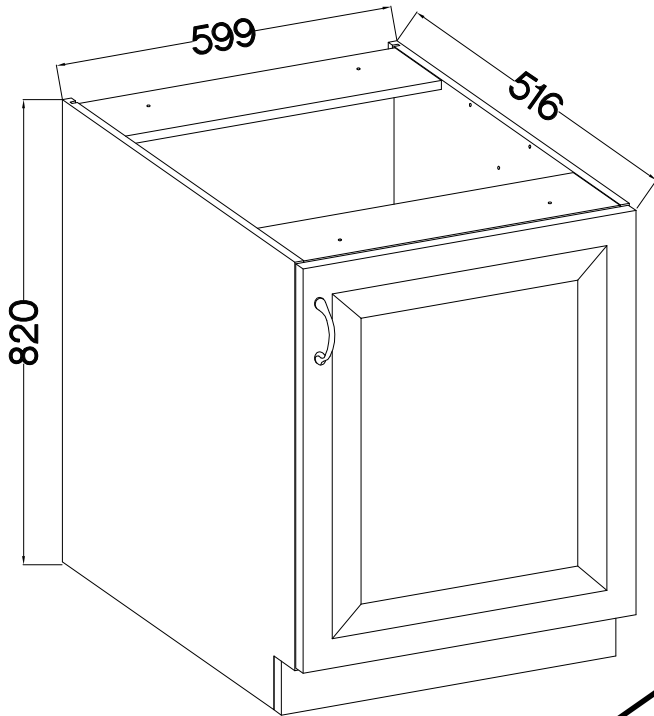




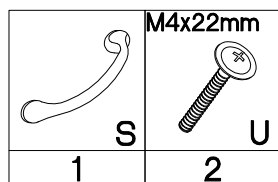
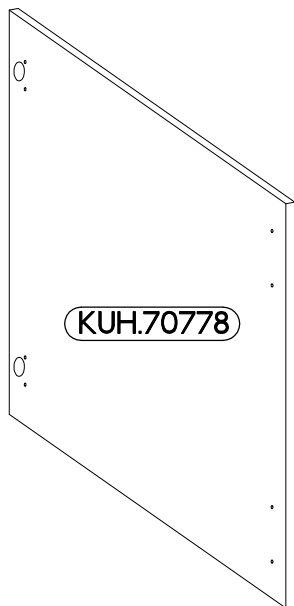
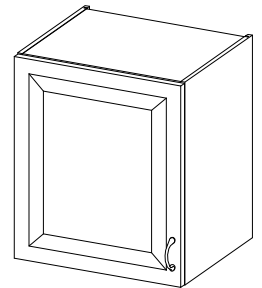
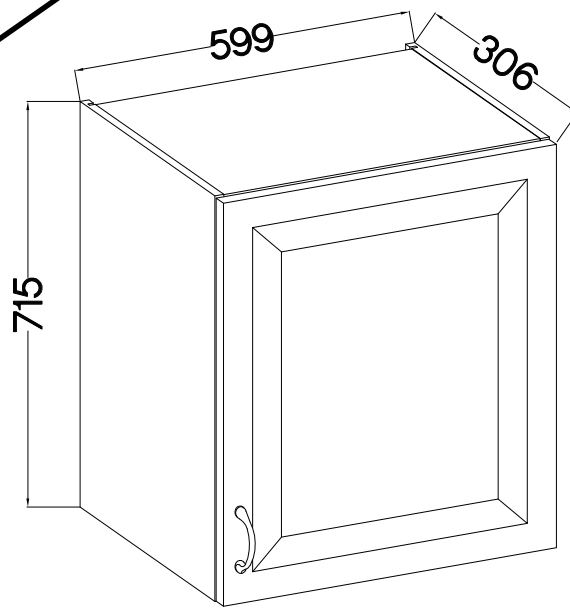
FRONT



60 D 1F BB



60 G-72 1F



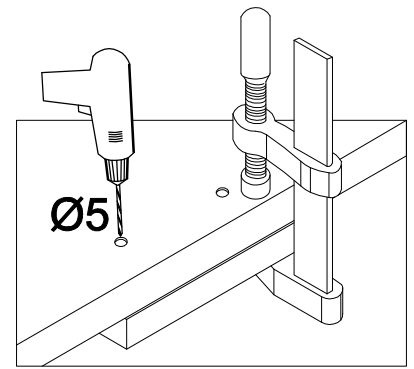
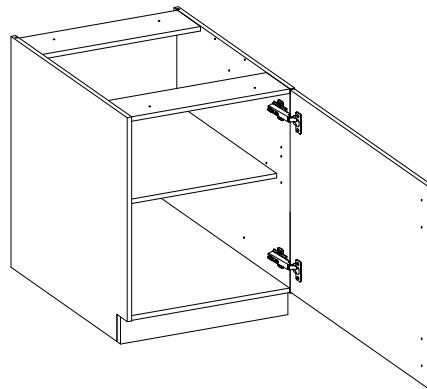
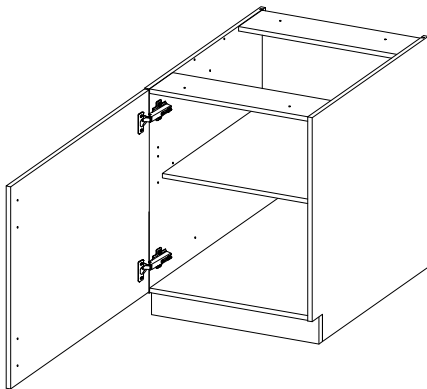
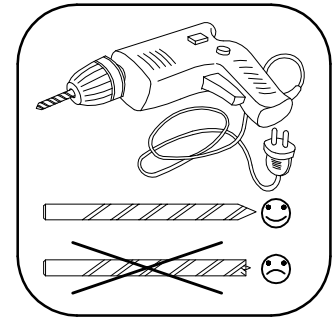
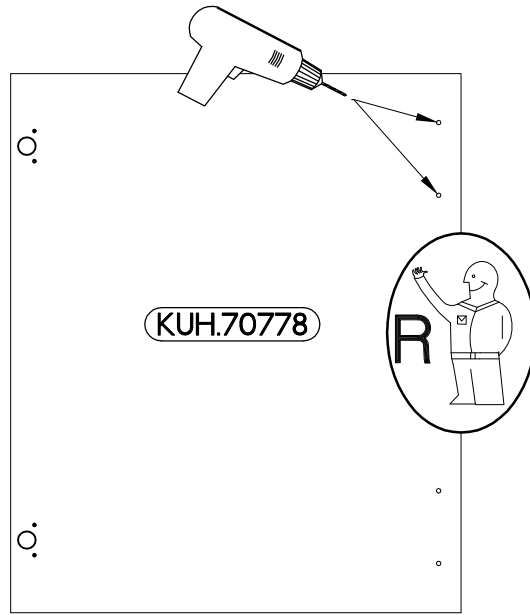
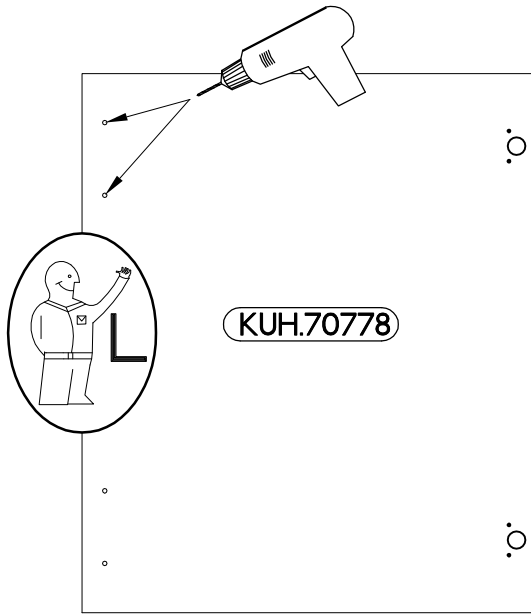
ISM-KUH-01192

1

60 D 1F BB

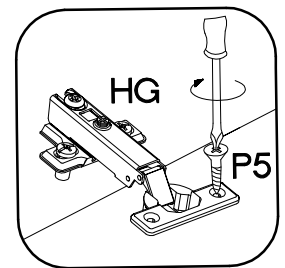
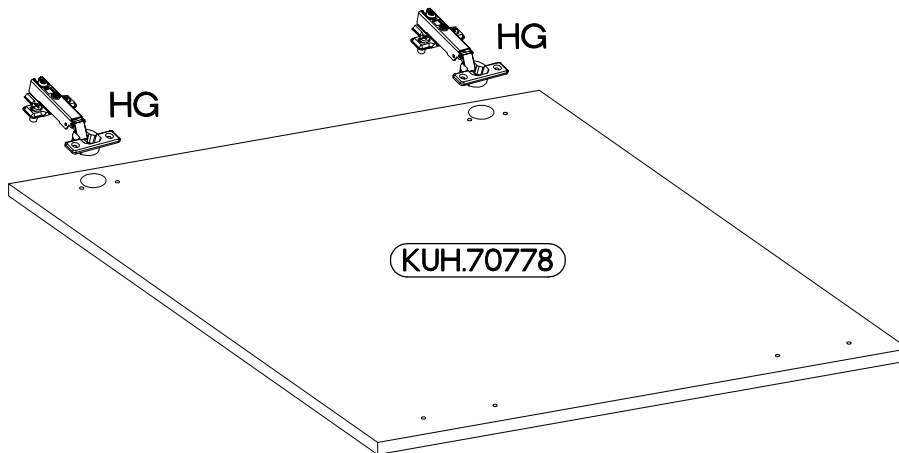
LEFT

RIGHT



2

+35/0mm	+3.5x13mm
HG	P5
2	4



M4x22mm



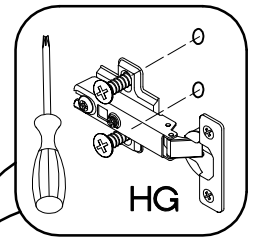
U

2

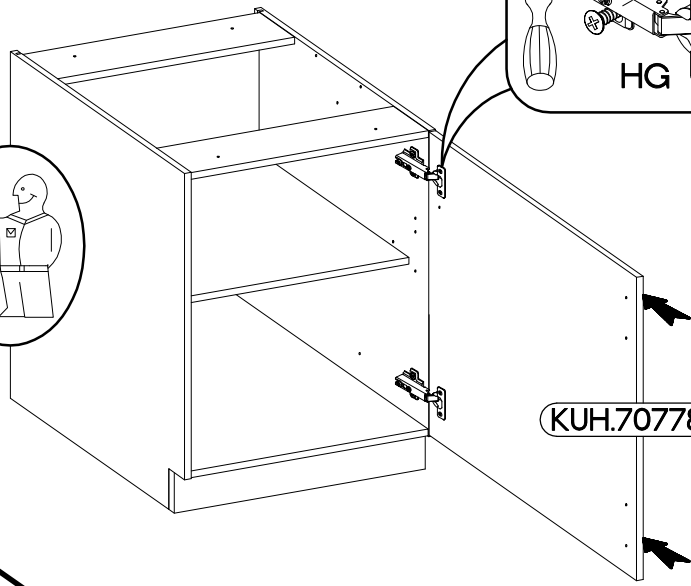


S

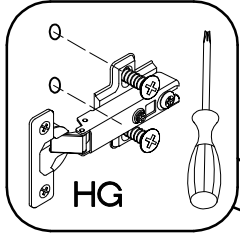
1



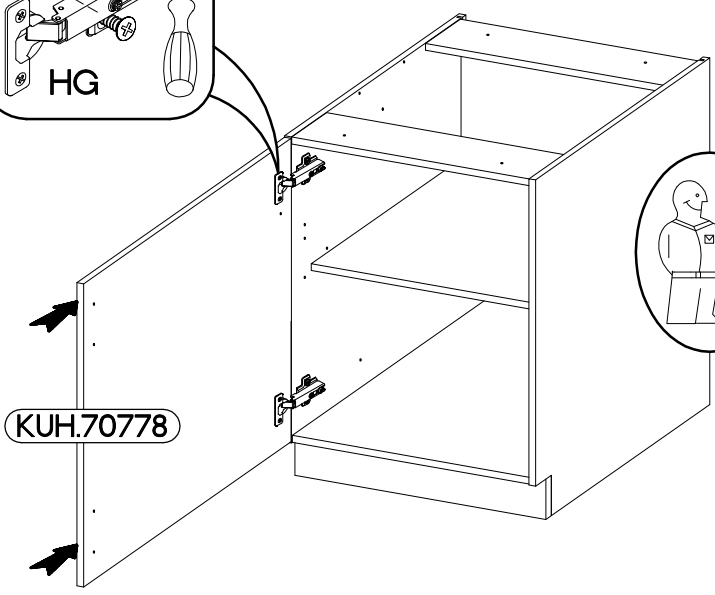
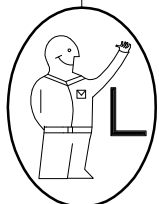
HG



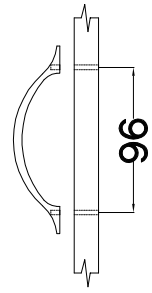
KUH.70778



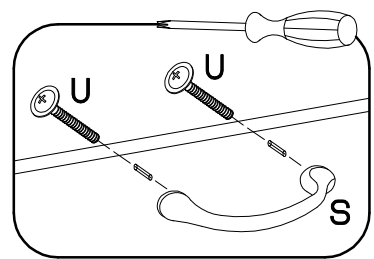
HG



KUH.70778

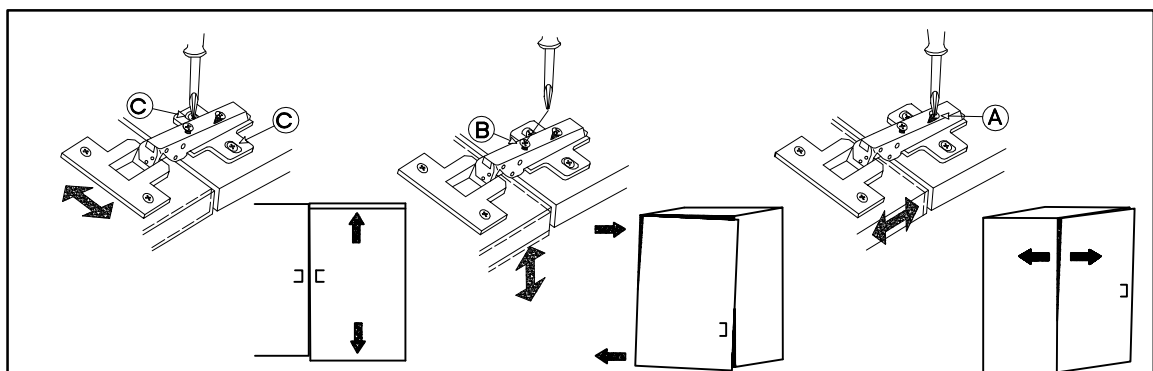


96



U

S

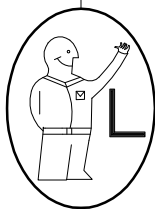
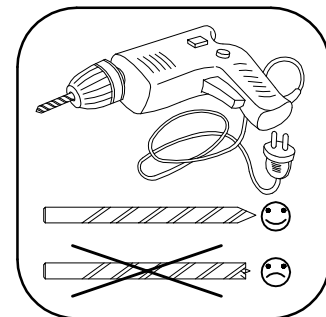


4

60 G-72 1F

LEFT

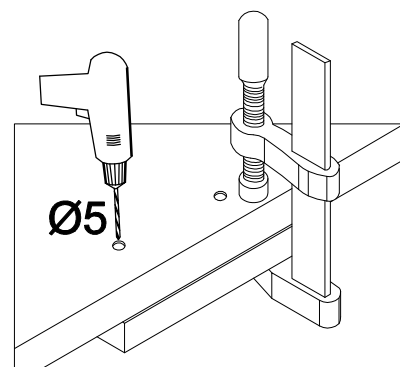
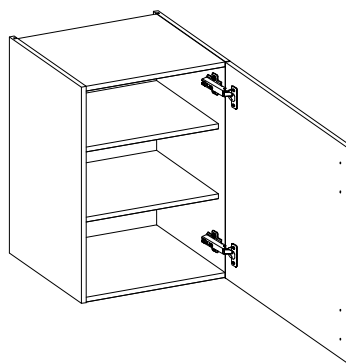
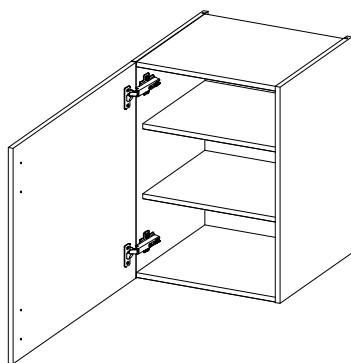
RIGHT





KUH.70778

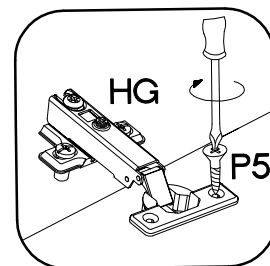
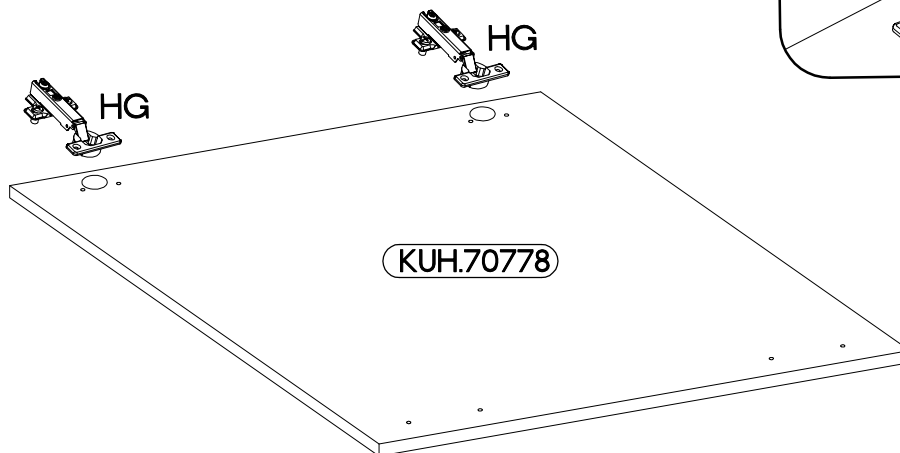


KUH.70778



5

 HG 2	 P5 4
--	--



6

M4x22mm



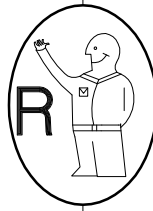
U

2

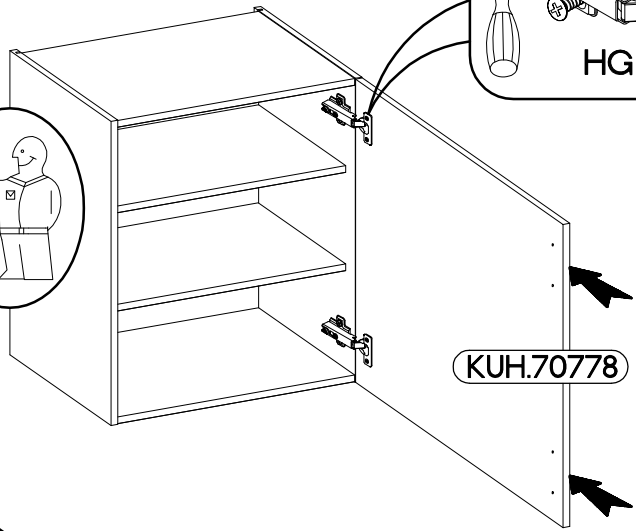


S

1

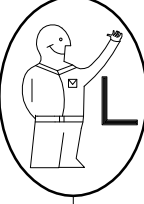
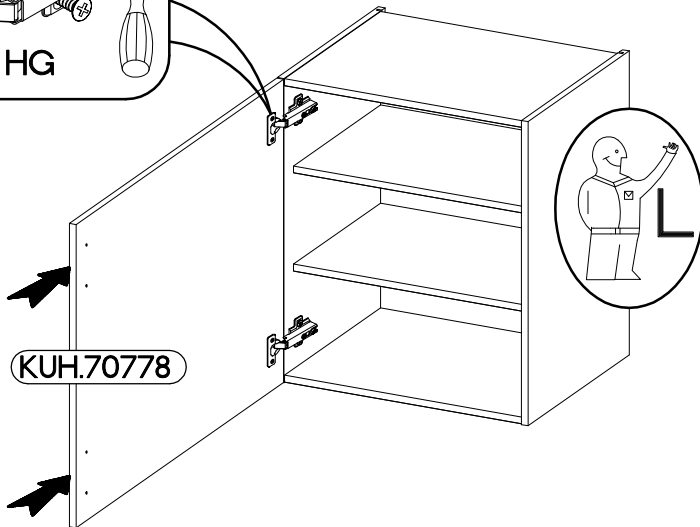
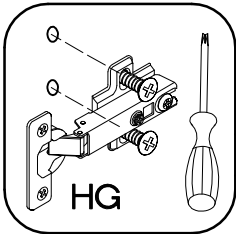


R



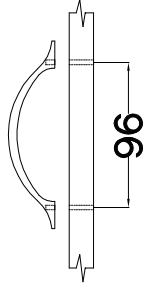
HG

KUH.70778

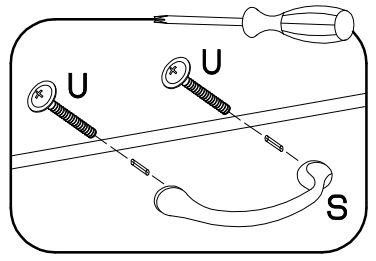


L

KUH.70778



96



U

S

