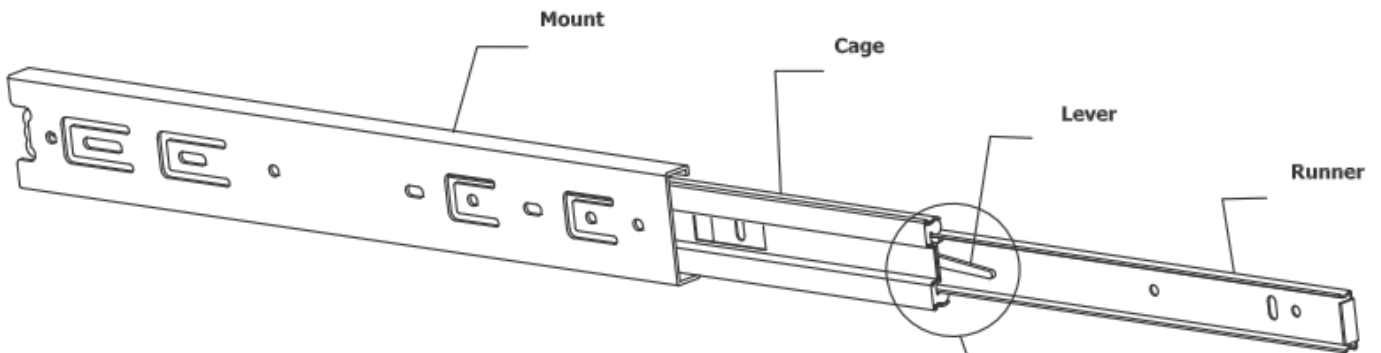
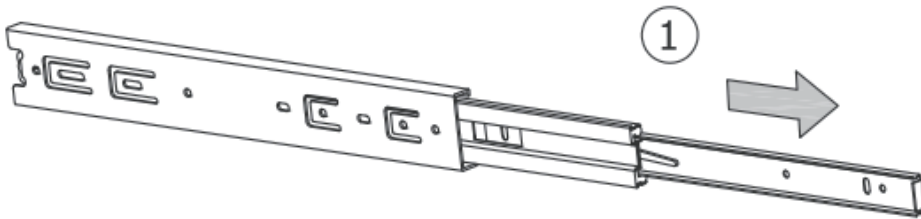


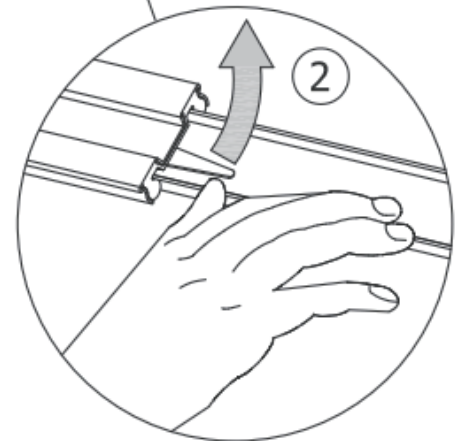
**Slides Must Be Separated Before Assembly.
After Separated, Set Aside Until Needed for Assembly.**



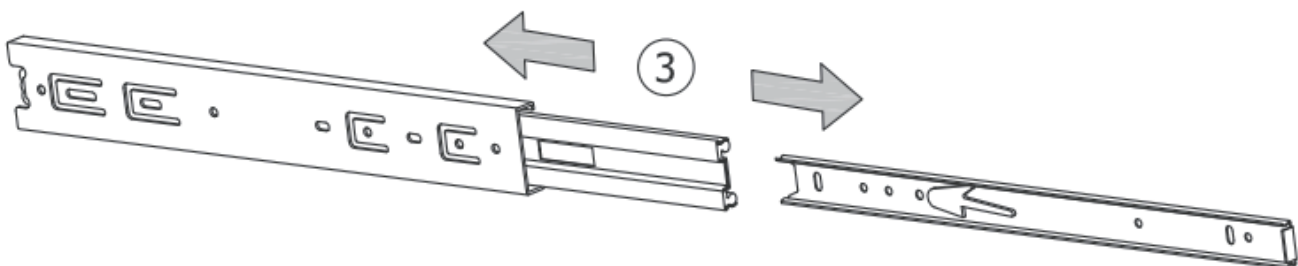
STEP 1: Extend Slide

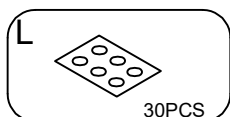
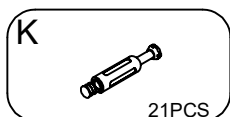
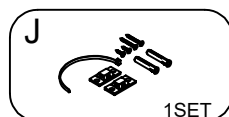
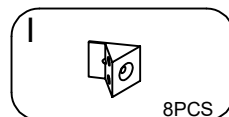
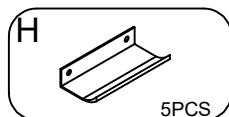
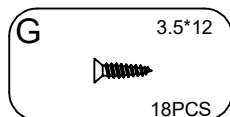
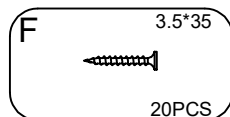
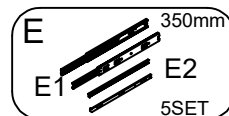
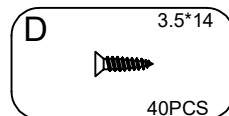
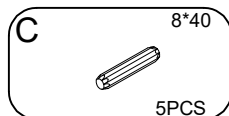
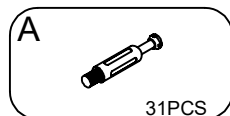
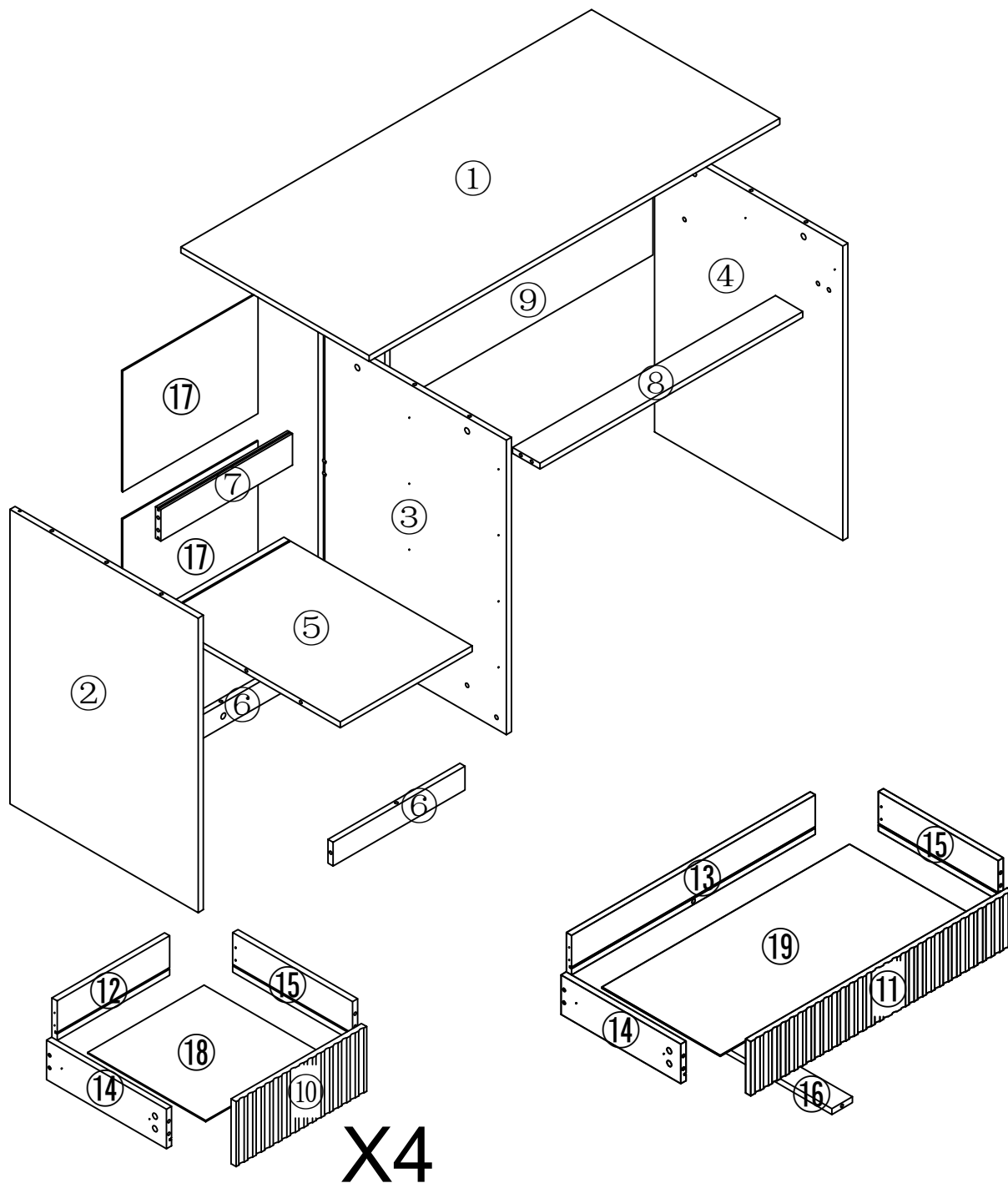


STEP 2: Push Lever UP

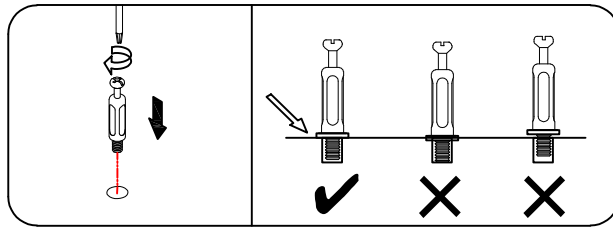




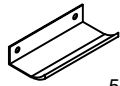

STEP 3: Remove Runner

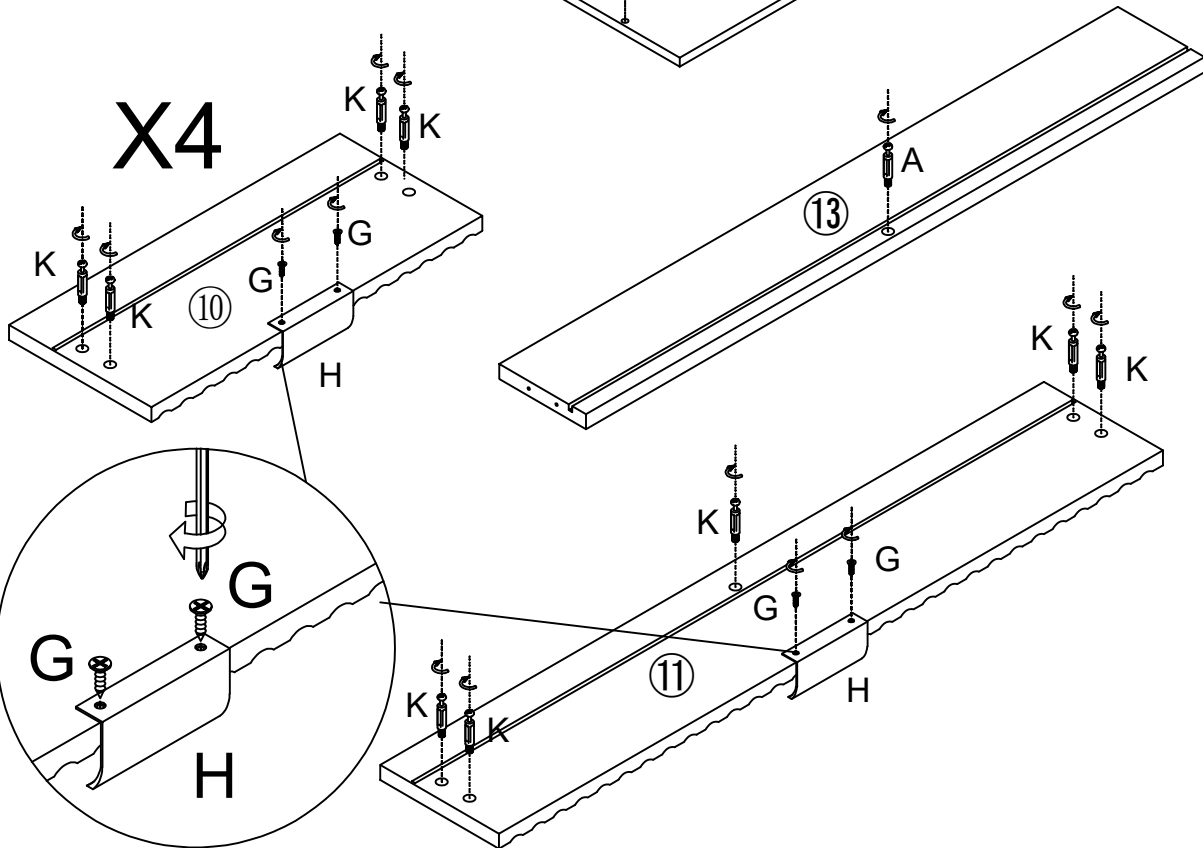
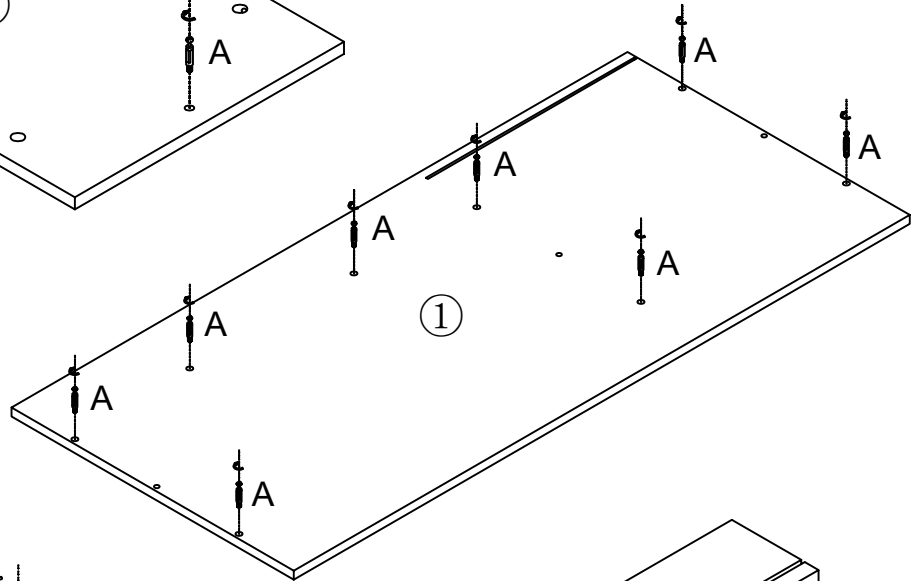
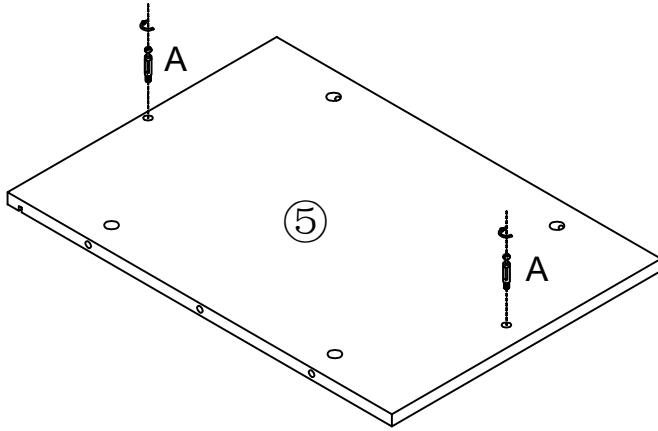


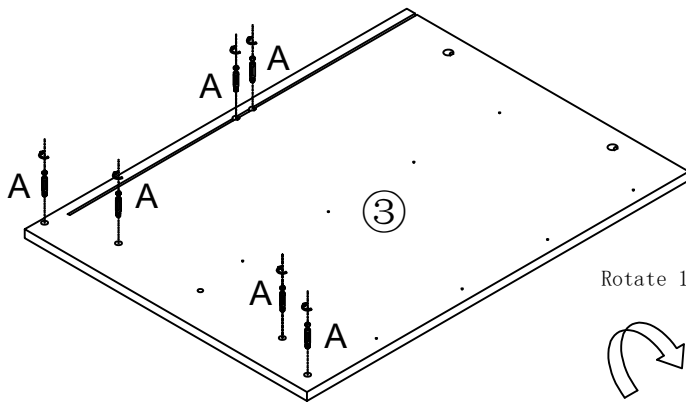
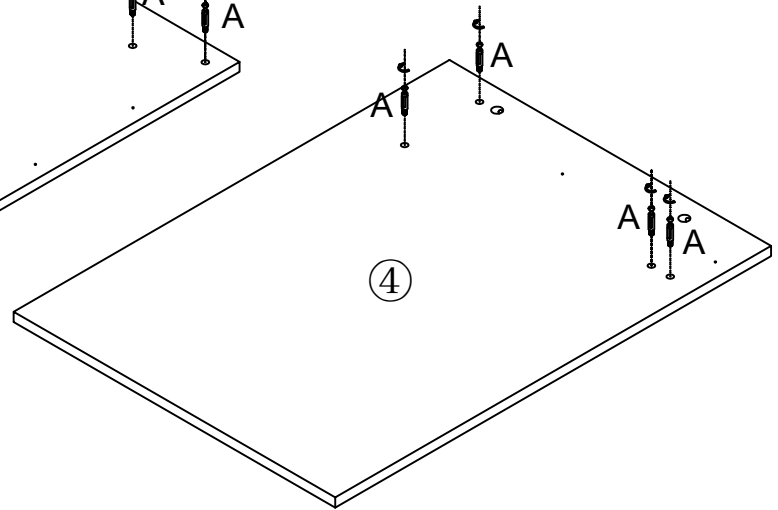
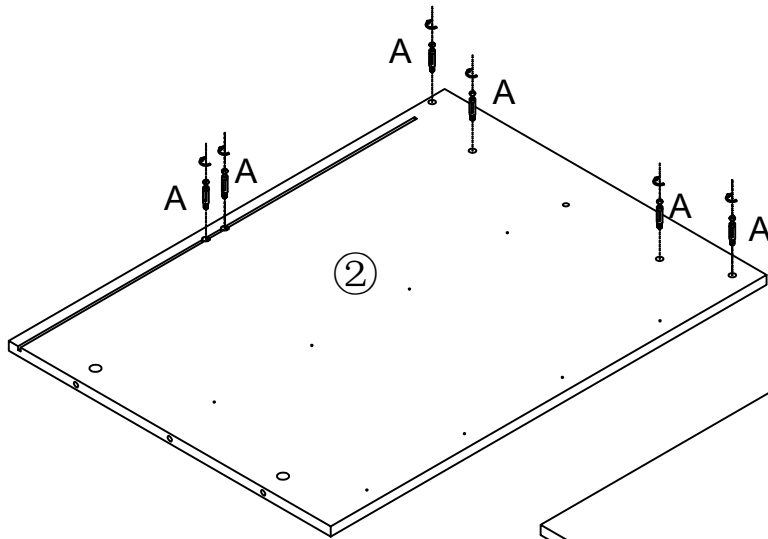
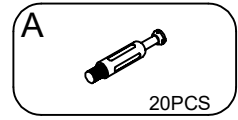
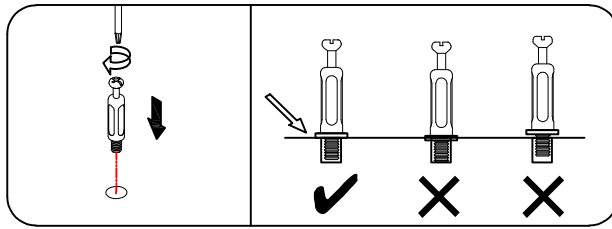


STEP 1

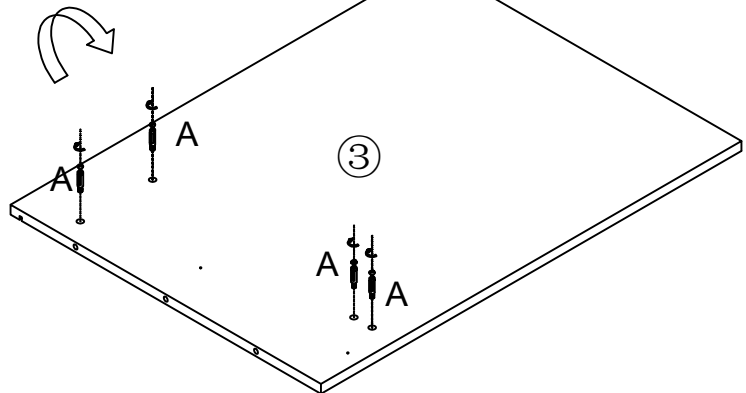


- A**

11PCS
- G**

3.5*12
10PCS
- H**

5PCS
- K**

21PCS



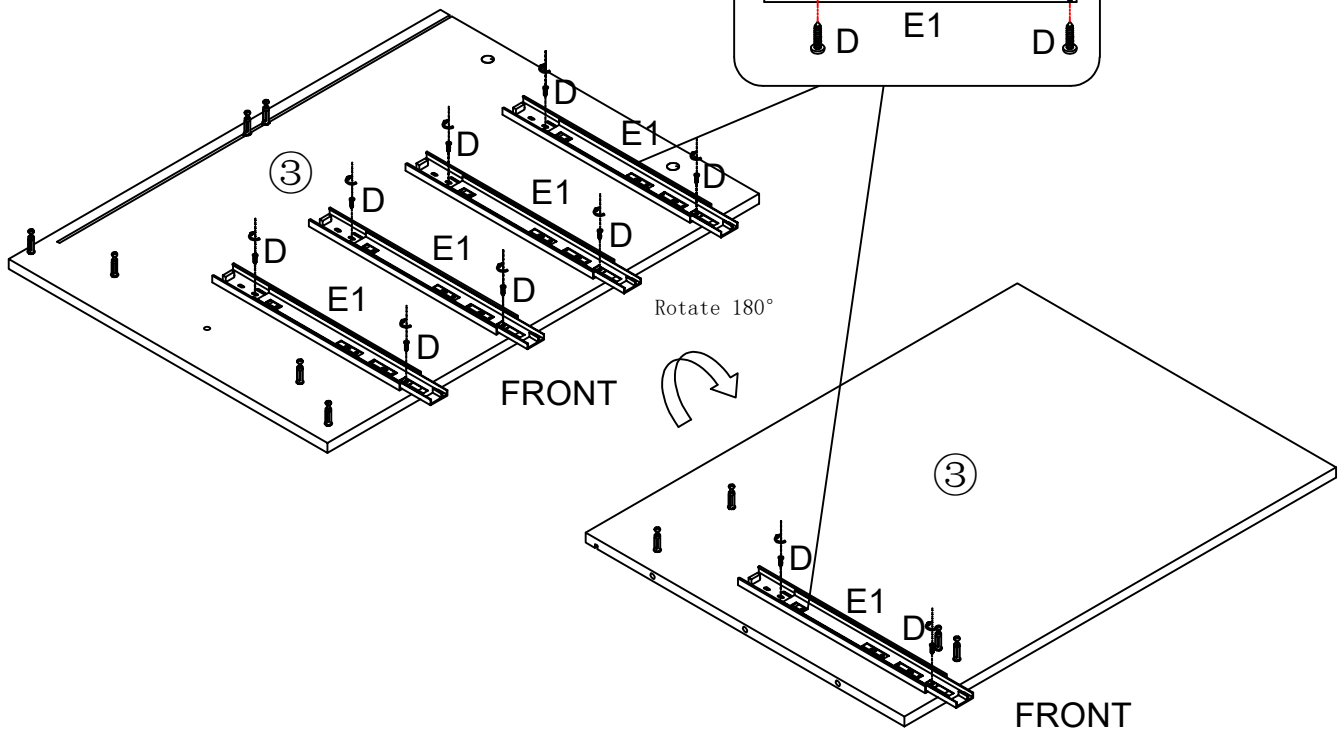
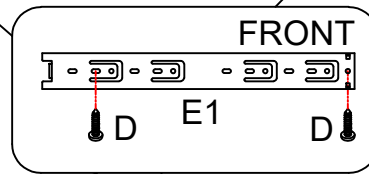
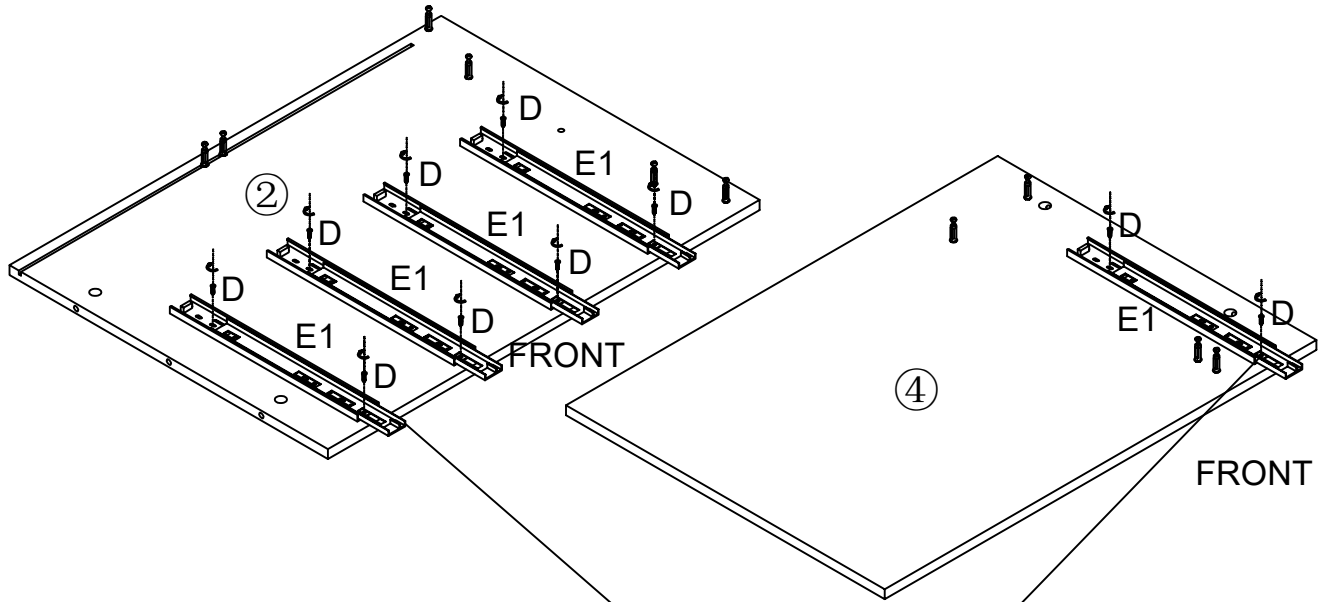
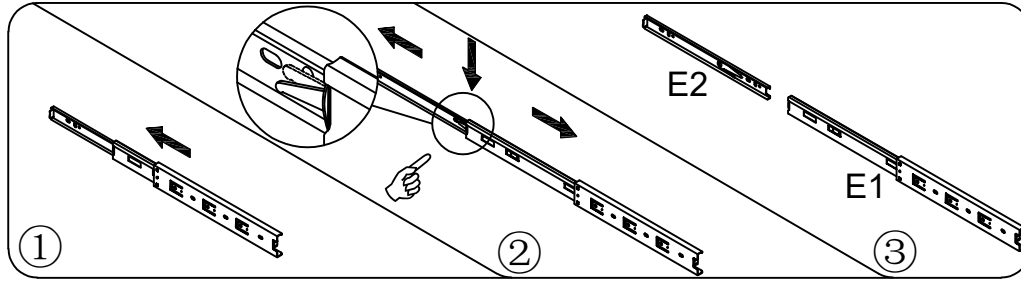
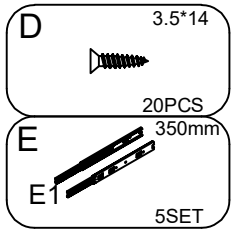


Rotate 180°

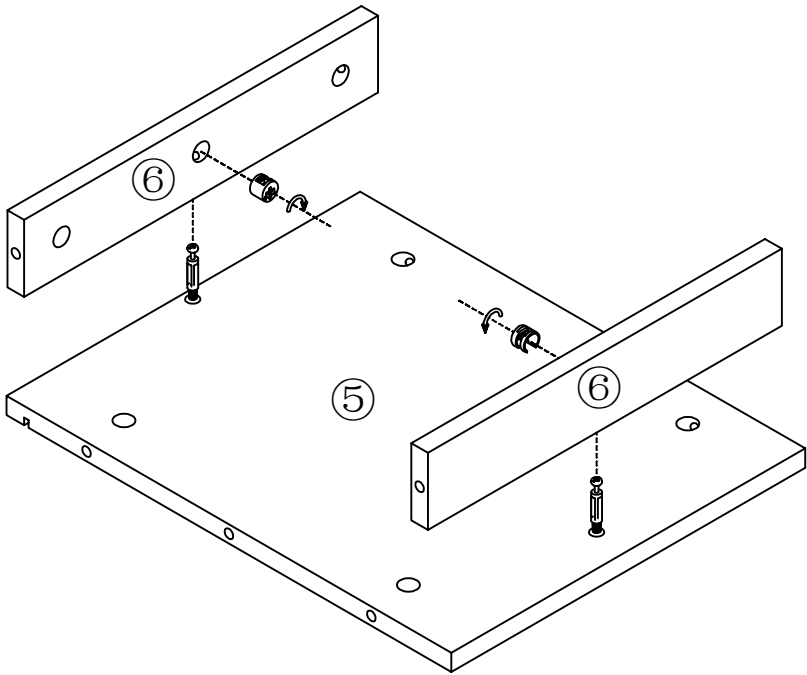
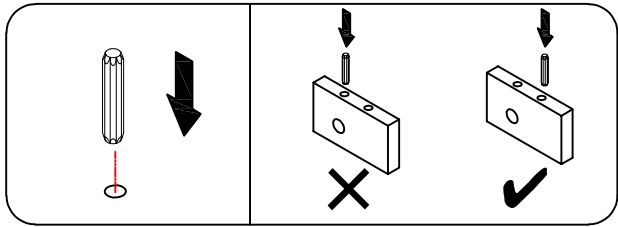
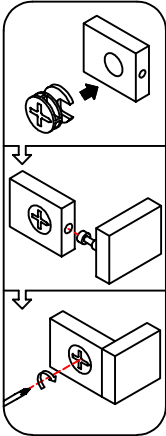


STEP 2

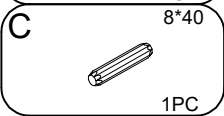
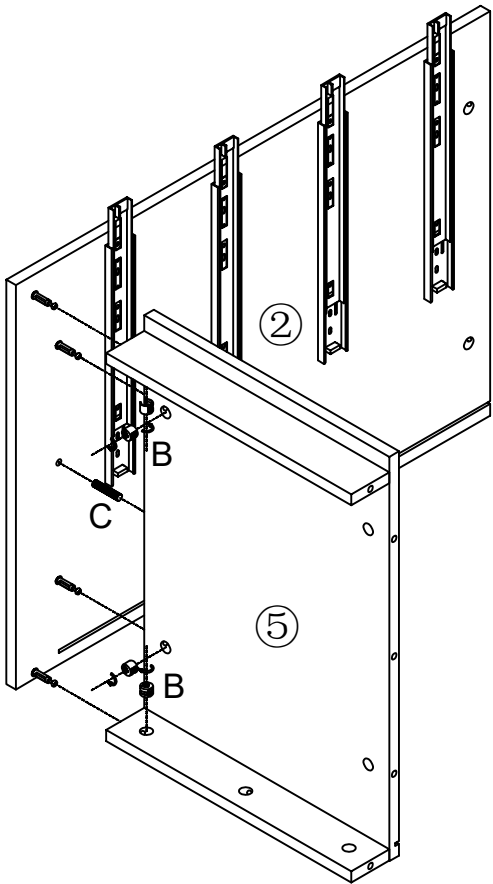
D 3.5*14
20PCS
E 350mm
E1 5SET



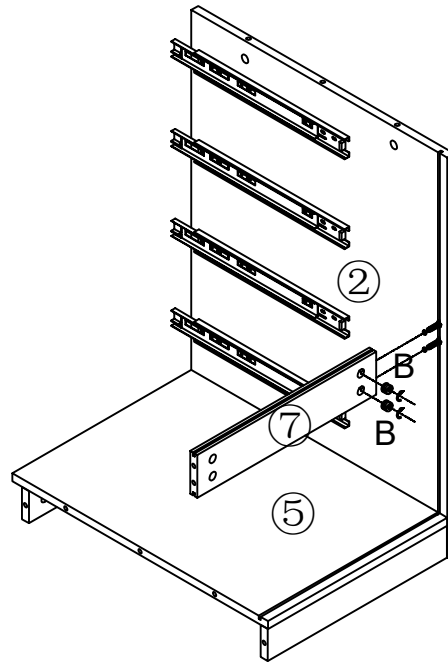
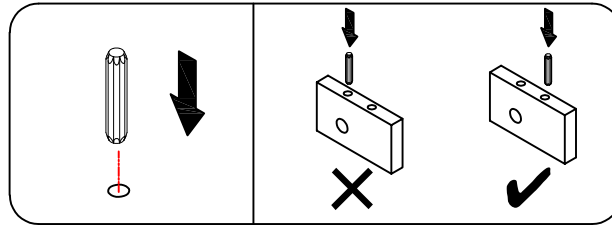
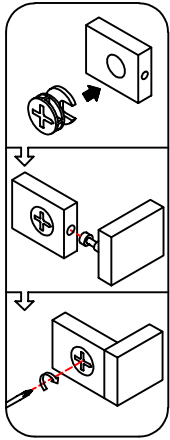
STEP 3



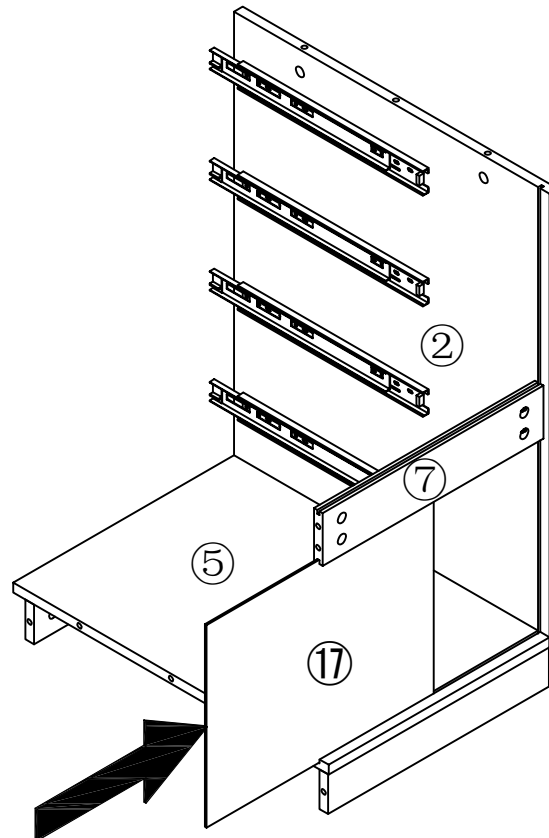
STEP 4



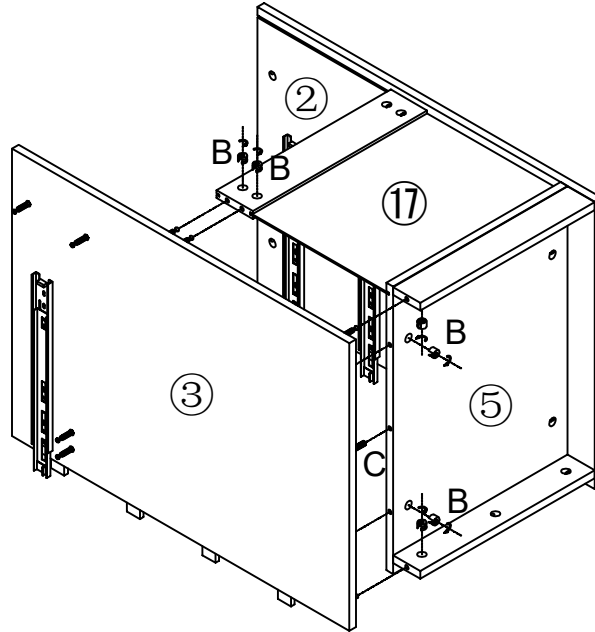
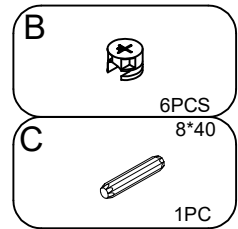
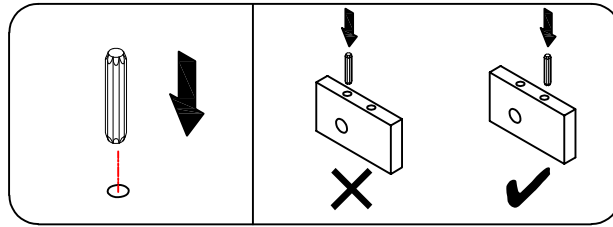
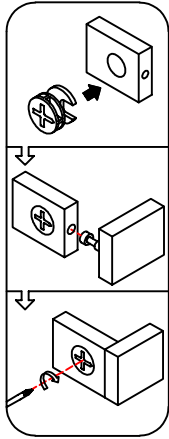
STEP 5



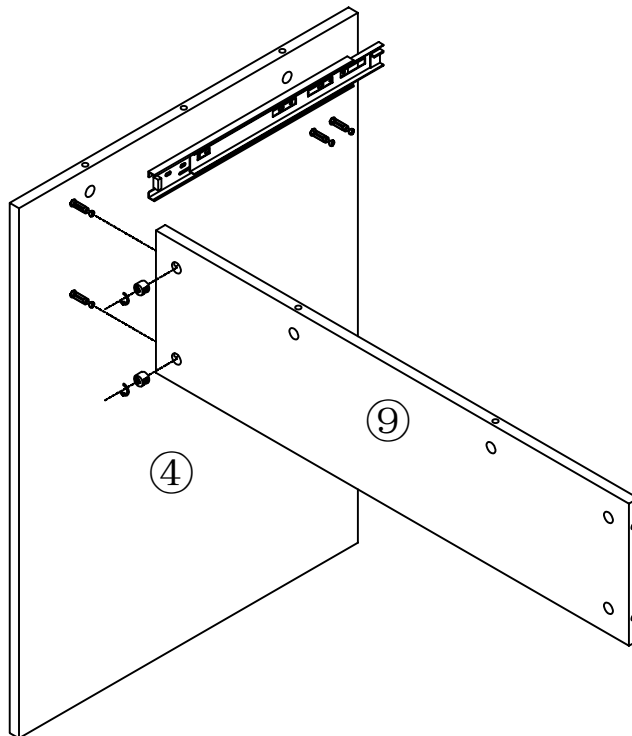
STEP 6



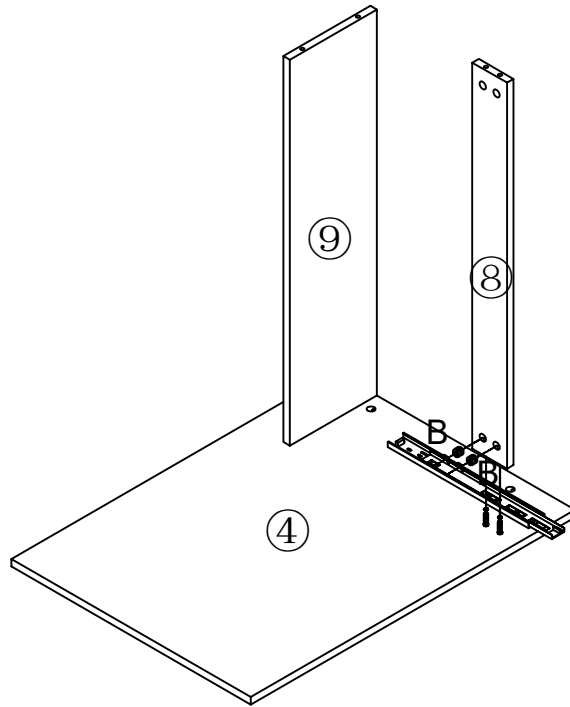
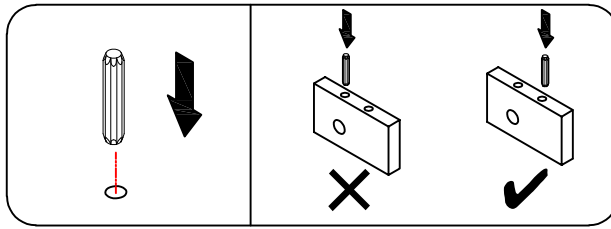
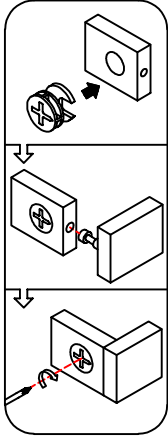
STEP 7



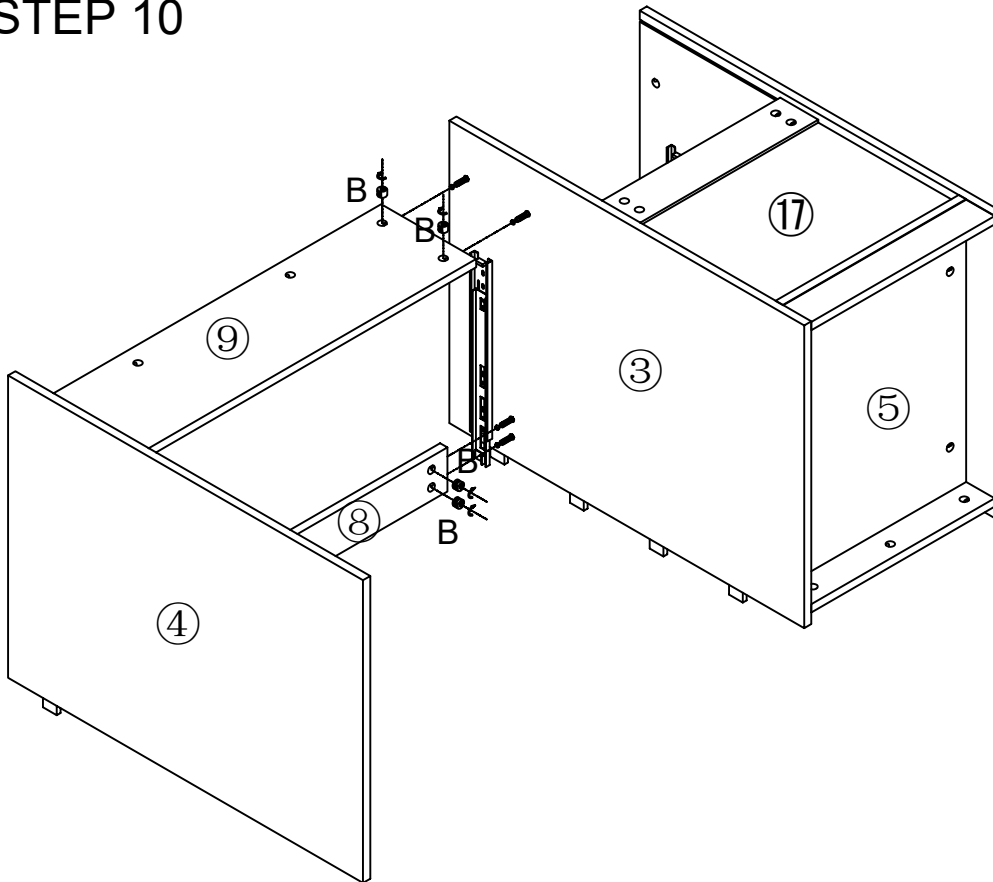
STEP 8



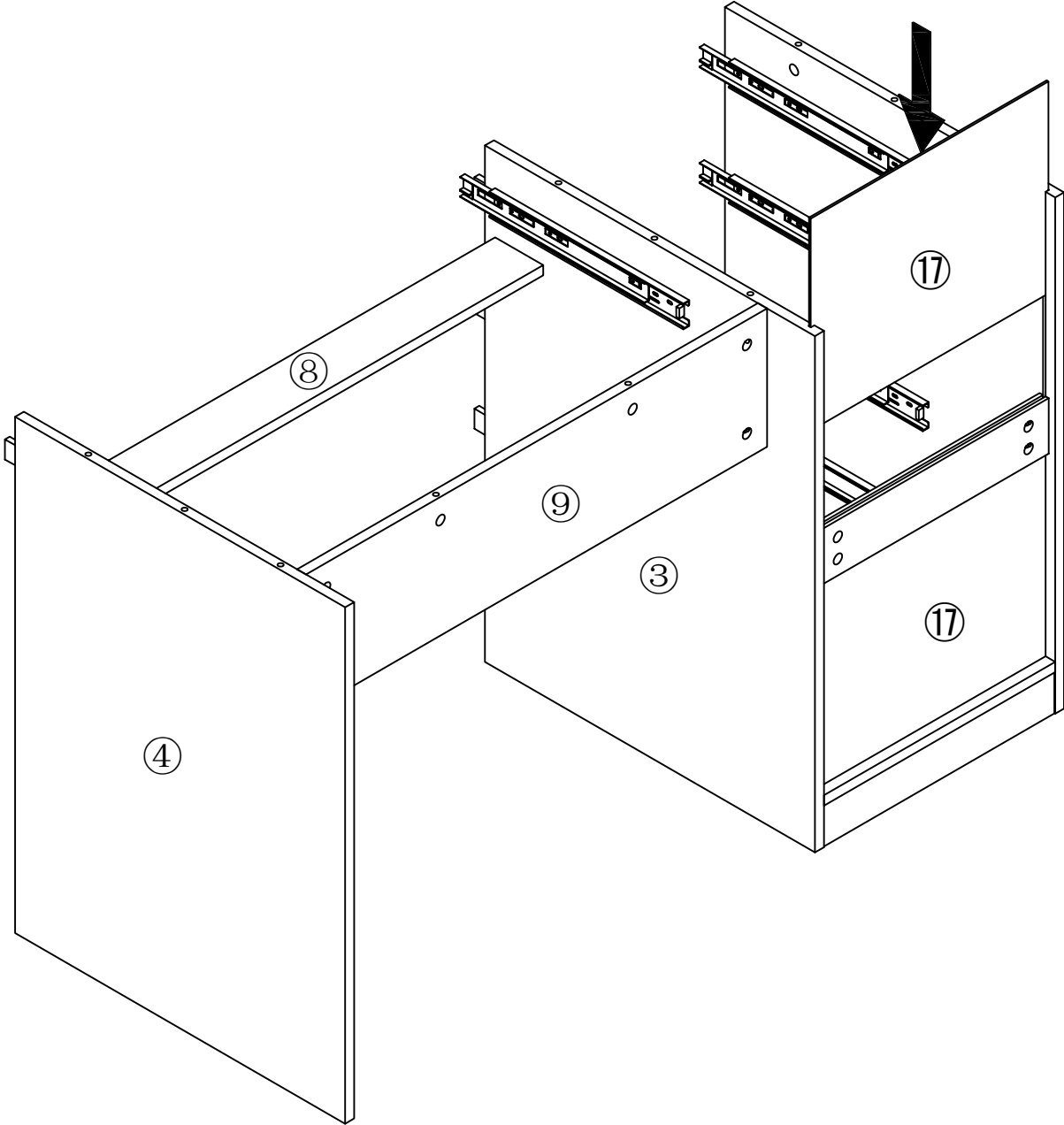
STEP 9



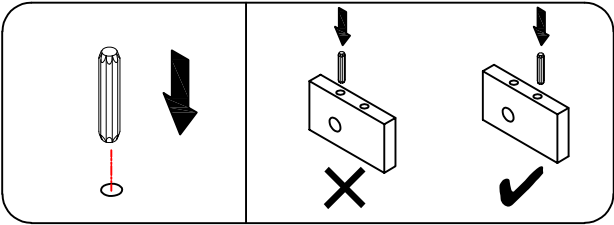
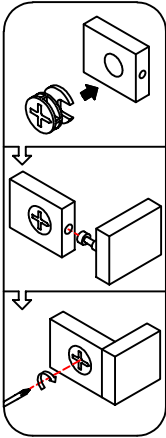
STEP 10




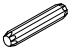
STEP 11

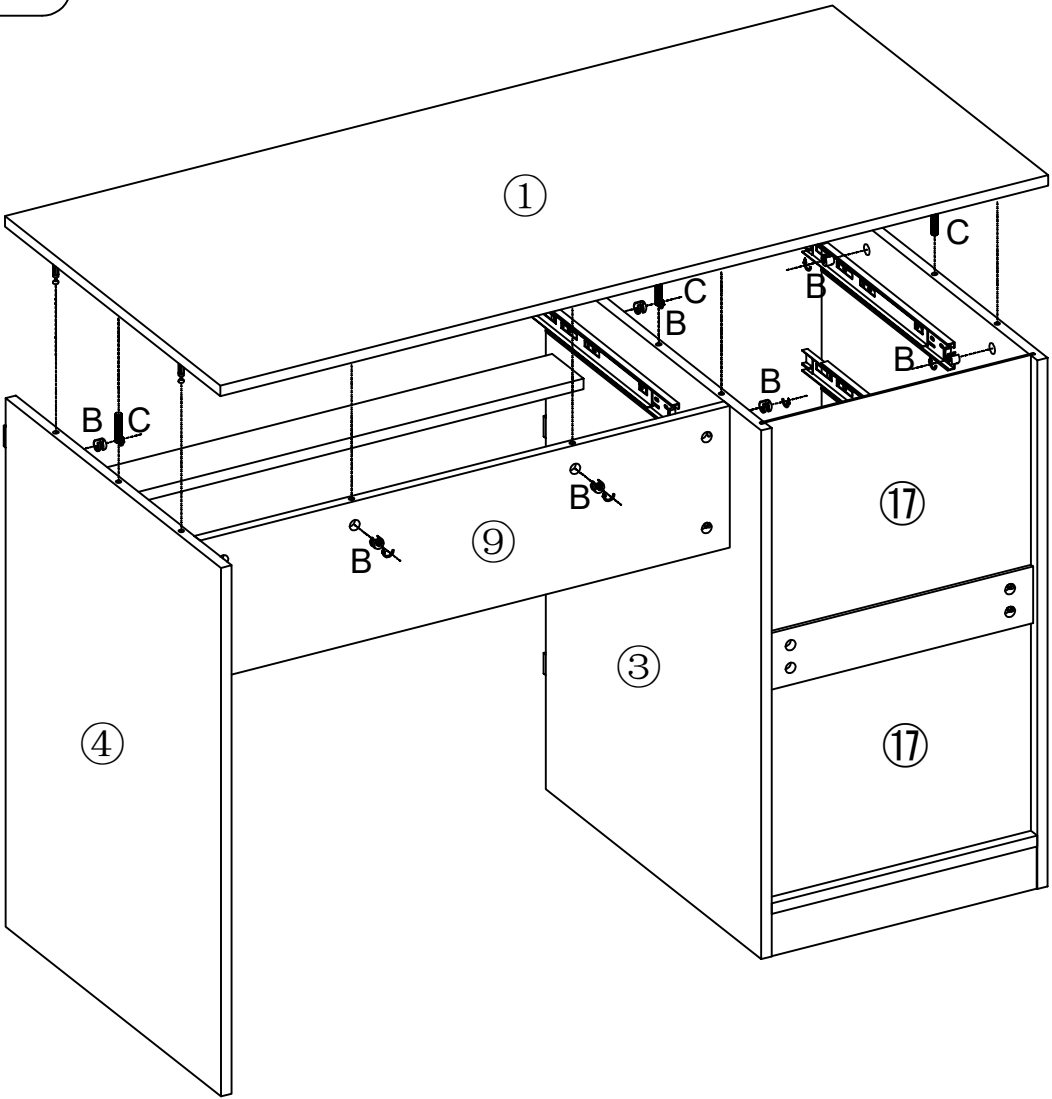


STEP 12

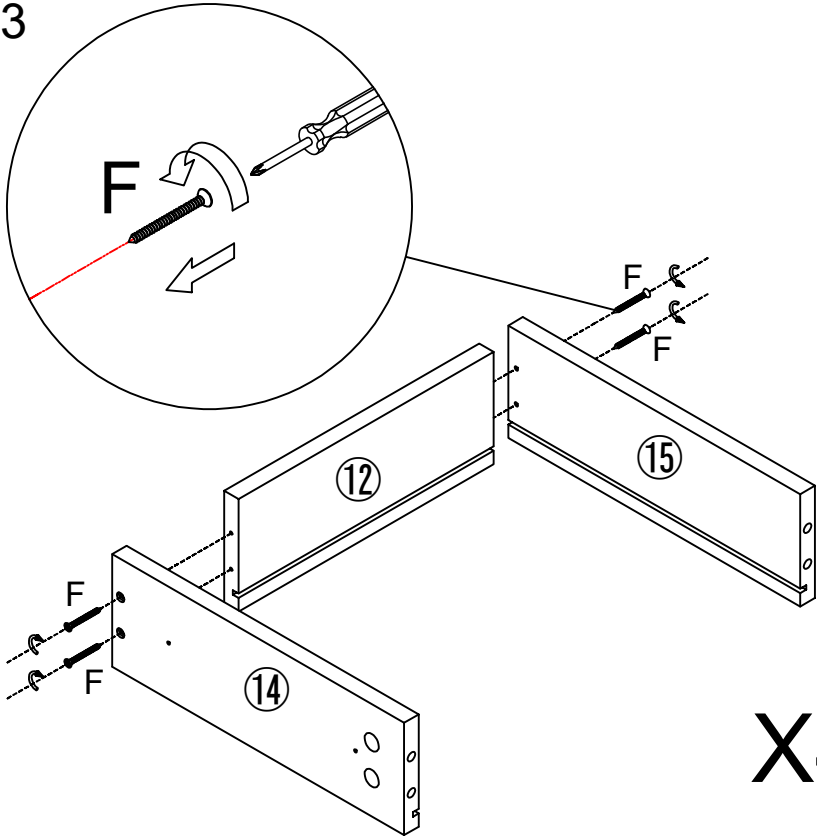
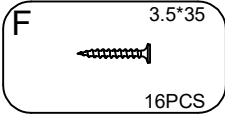


B  8PCS
8*40

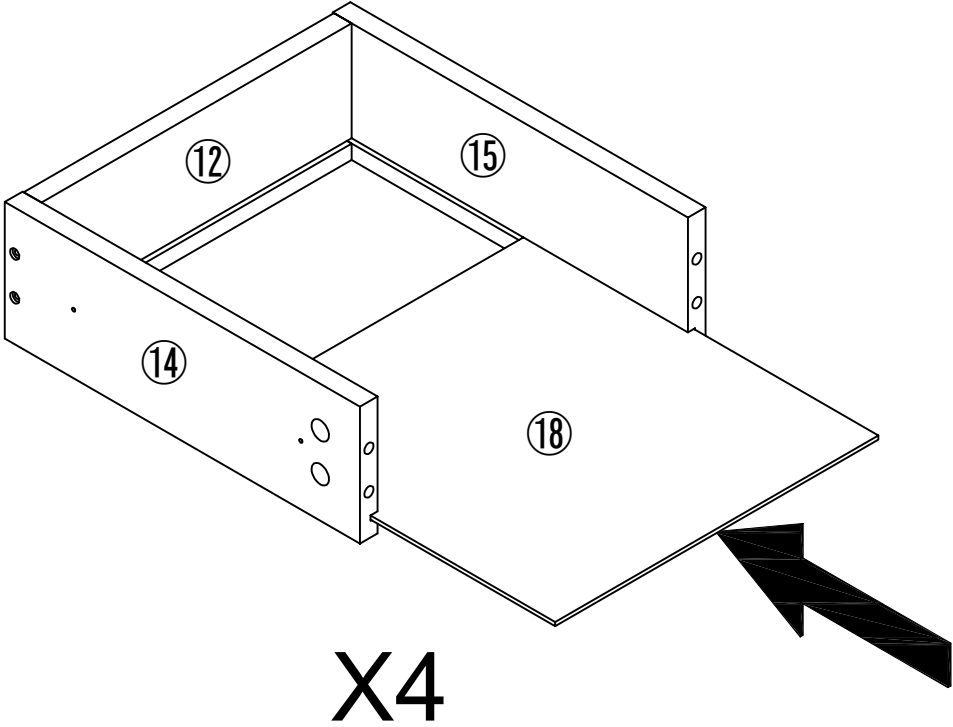
C  3PCS




STEP 13

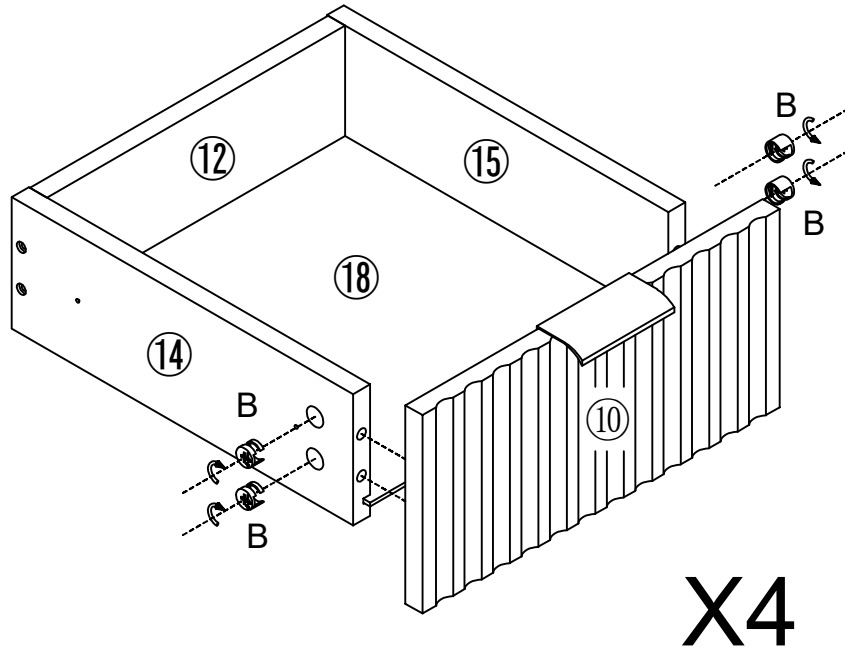
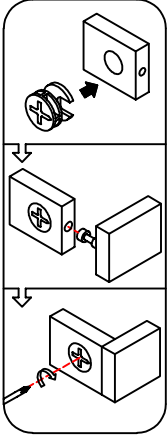


STEP 14





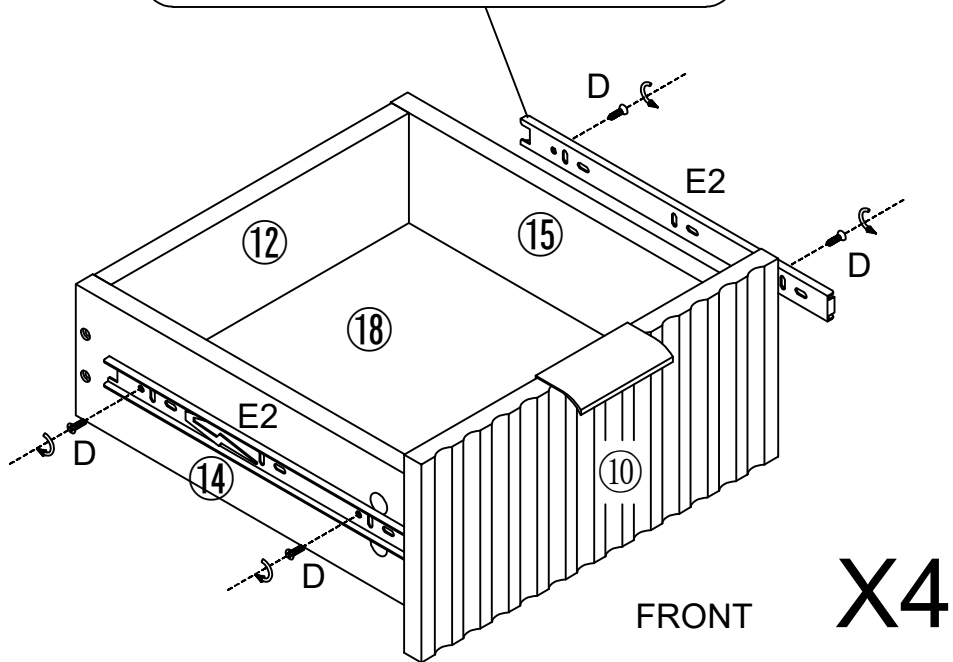
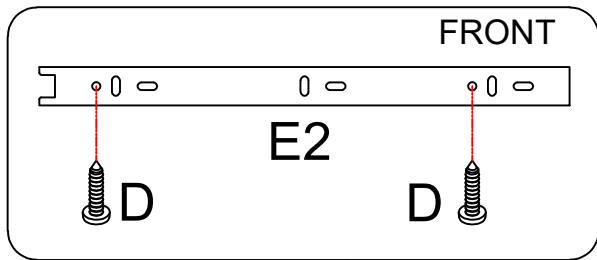
STEP 15

B 
16PCS

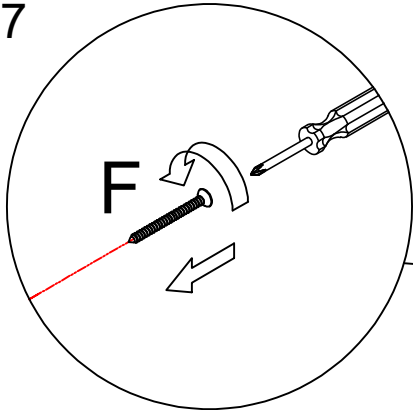



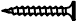
STEP 16

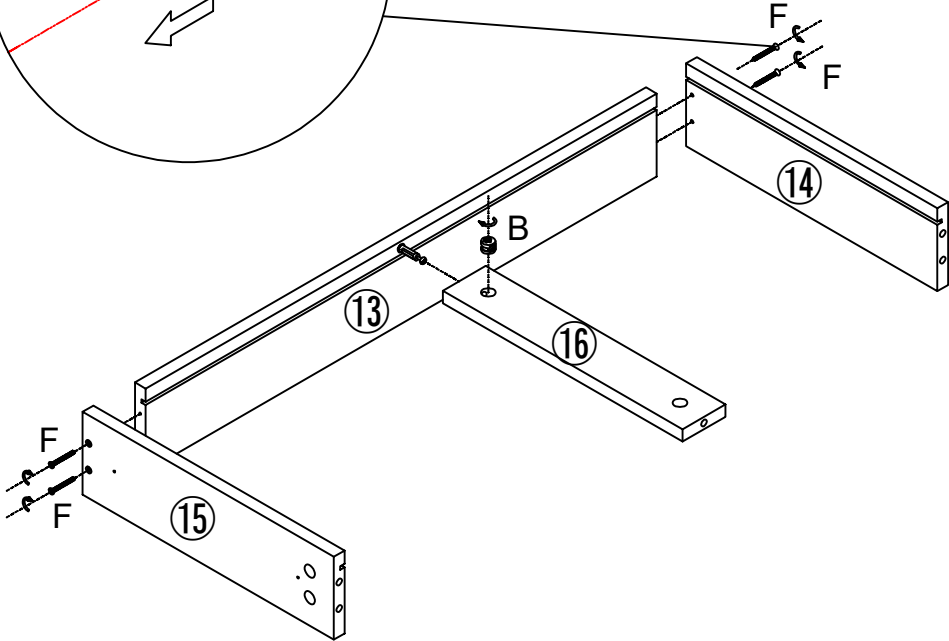
D  3.5*14
16PCS
E  E2
350mm
4SET



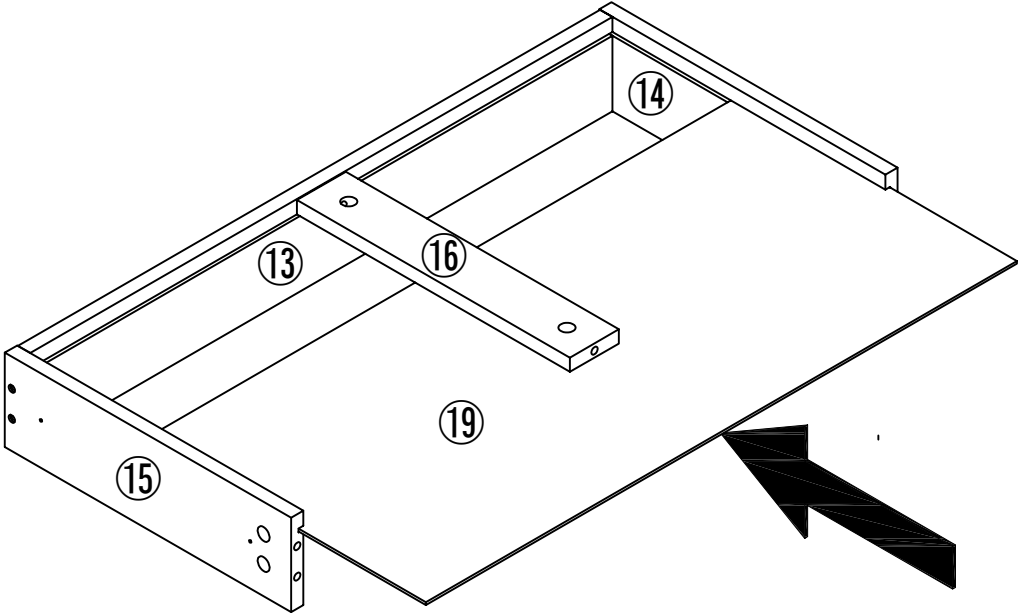
STEP 17




B		1PC
F		3.5*35 4PCS

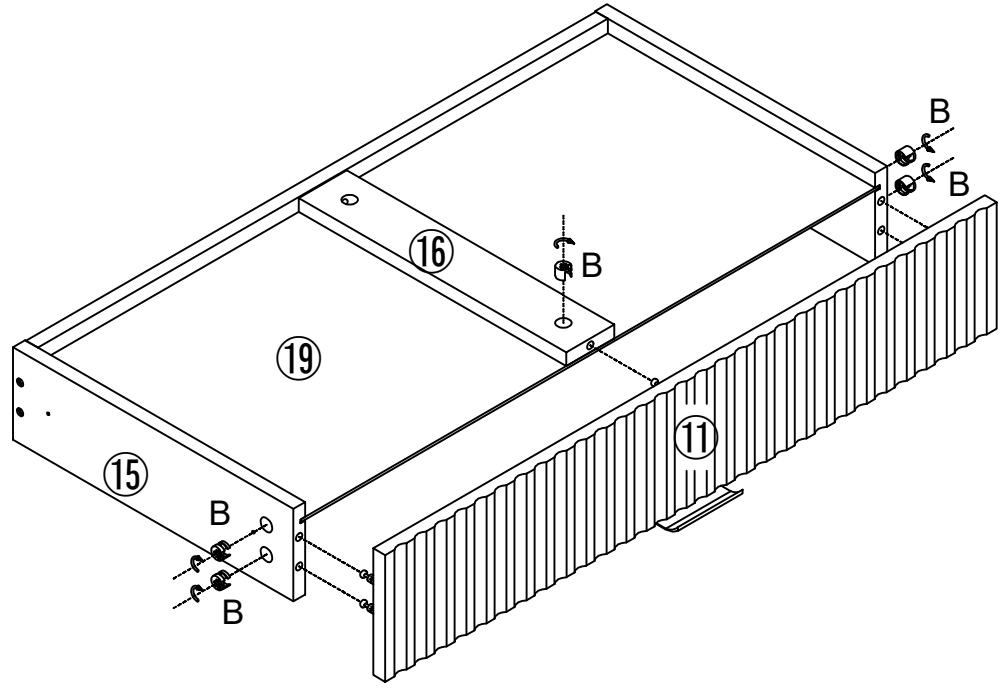
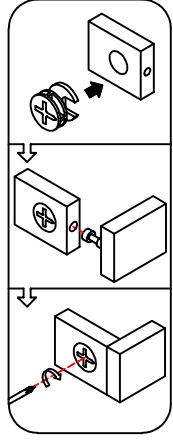


STEP 18





STEP 19

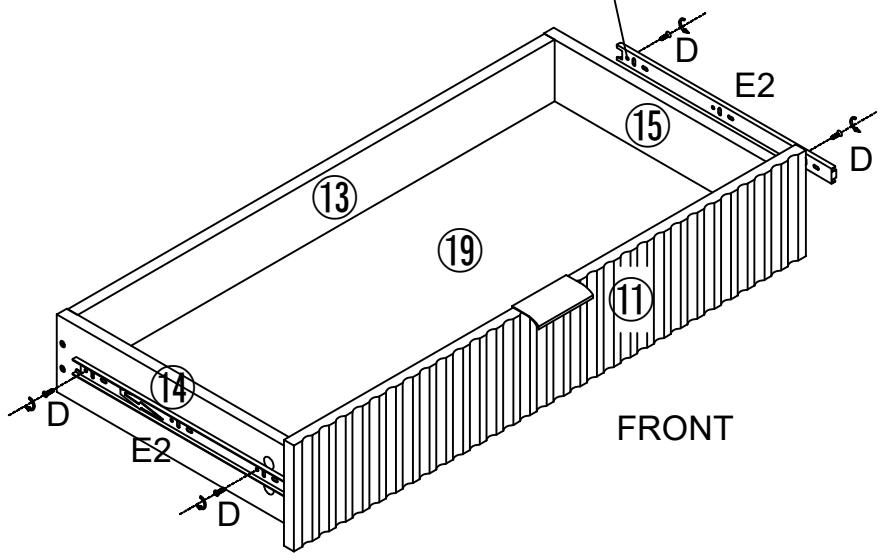
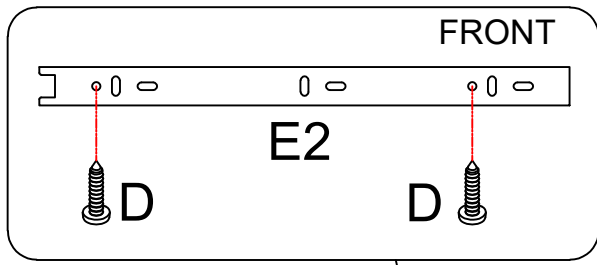
B 
5PCS



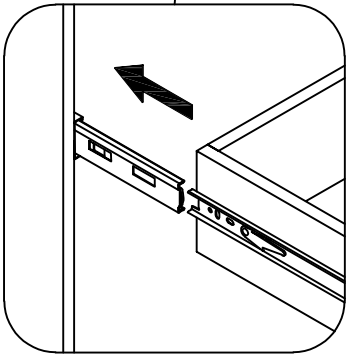
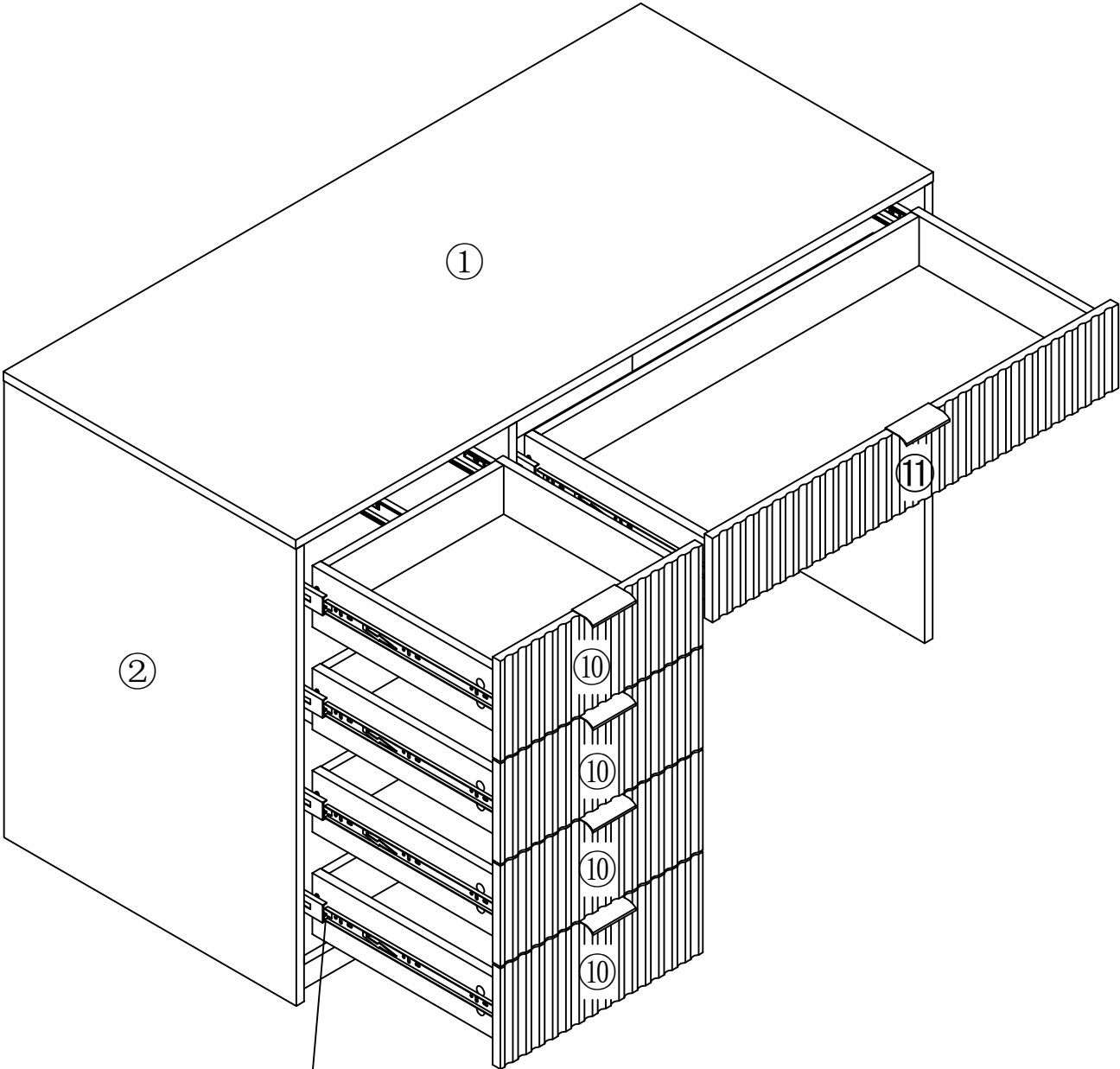
STEP 20

D 3.5*14

4PCS

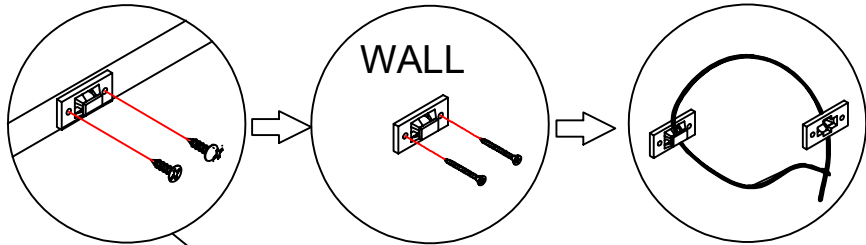
E 350mm
 E2
1SET



STEP 21



STEP 22



- G** 3.5*12
8PCS
- I**
8PCS
- J**
1SET
- L**
30PCS

