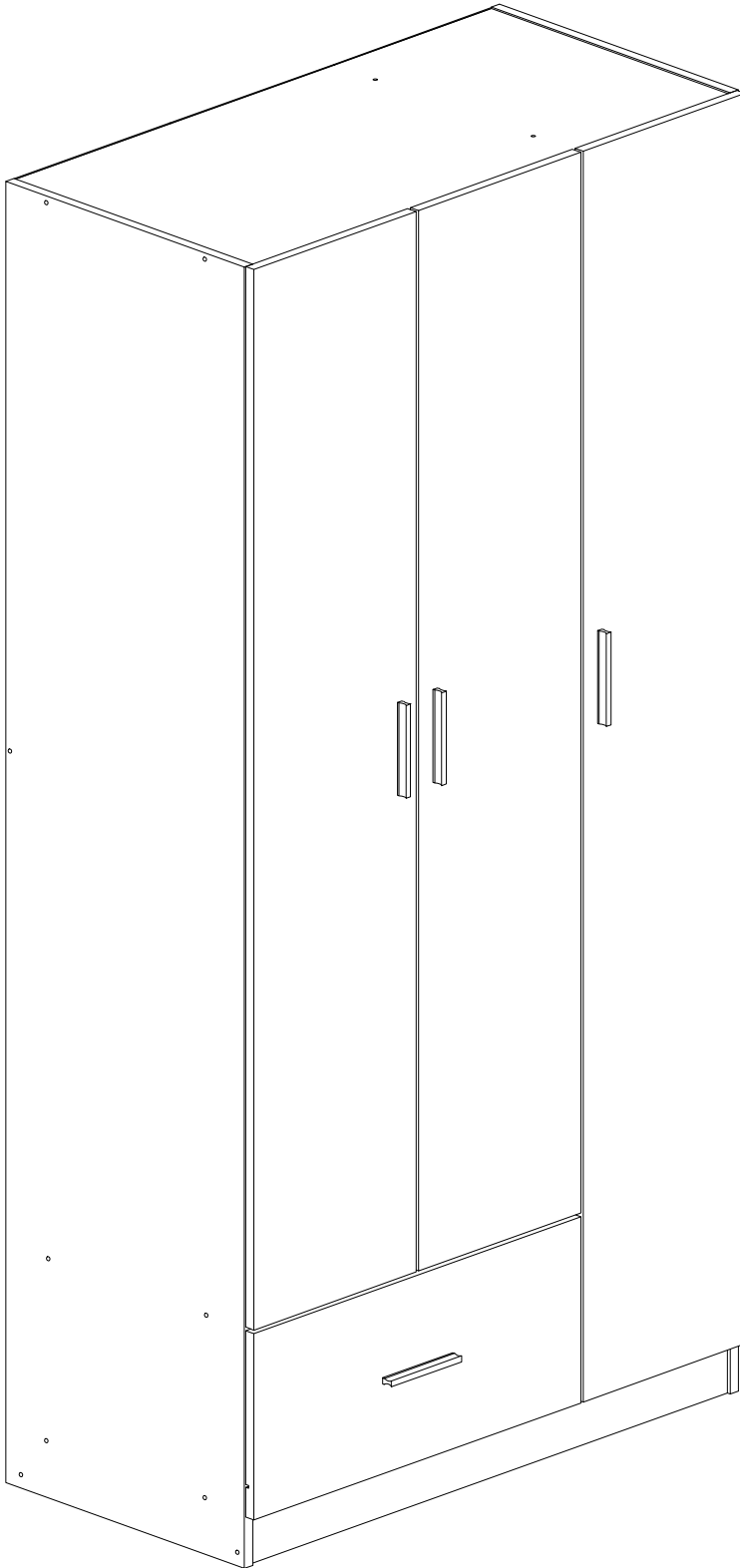


POSSINA

Assembly Instruction

Model : WILSON 3DS

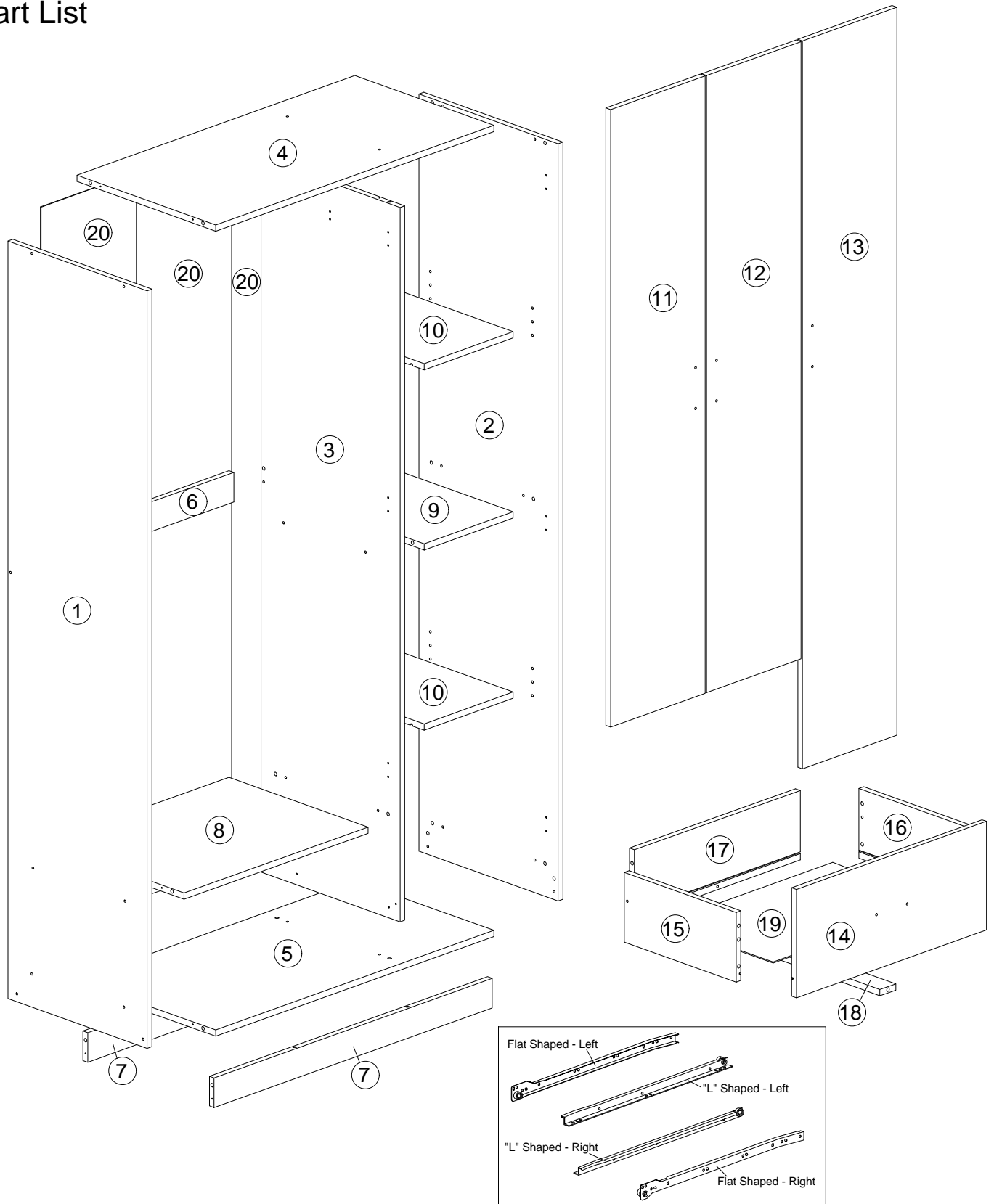


Hardware List			
No.	SHAPE	DESCRIPTION	Qty.
A		8x25mm Dowel (Wood)	38Pcs
B		15MM Myfix Minifix	3Sets
C		M3.5x16mm Screw	80Pcs
D		M4x45mm Screw	29Pcs
E		Hinges 5/8	6Pcs
F		Hinges 2/8	3Pcs
G		V Bracket	2Pcs
H		Handle 7050.96	4Pcs
I		M4x25mm Screw	8Pcs
J		M3.5x12mm Screw	6Pcs
K		Shelf Support	8Pcs
L		5/8 Nail With Pin	6Pcs
M		6/8 Power Pin	40Pcs
N		L Bracket	4Pcs
O		Drawer Slide (350mm)	1Set
P		Aluminium Pipe(569mm)	1Pc
Q		Sticker	17Pcs

Part List			
No.	Descriptions		Qty.
1	Side Left Panel	1795x435x15	1PC
2	Side Right Panel	1795x435x15	1PC
3	Center Panel	1693x435x15	1PC
4	Top Panel	870x435x15	1PC
5	Bottom Panel	870x435x15	1PC
6	Back Rail	576x70x15	1PC
7	Leg Panel	870x70x15	2PCS
8	Partition Panel Big	435x576x15	1PC
9	Partition Center Panel Small	279x395x15	1PC
10	Adjust Panel Small	279x395x15	2PCS
11	Door Left	1463x295x15	1PC
12	Door Center	1463x295x15	1PC
13	Door Right	1725x295x15	1PC
14	Drawer Front	595x257x15	1PC
15	Drawer Side Left	350x165x15	1PC
16	Drawer Side Right	350x165x15	1PC
17	Drawer Back	519x165x15	1PC
18	Drawer Rail	333x50x15	1PC
19	Drawer Bottom	342x528x2.5	1PC
20	Back Panel	1721x298.5x2.5	3PCS

Assembly Instruction

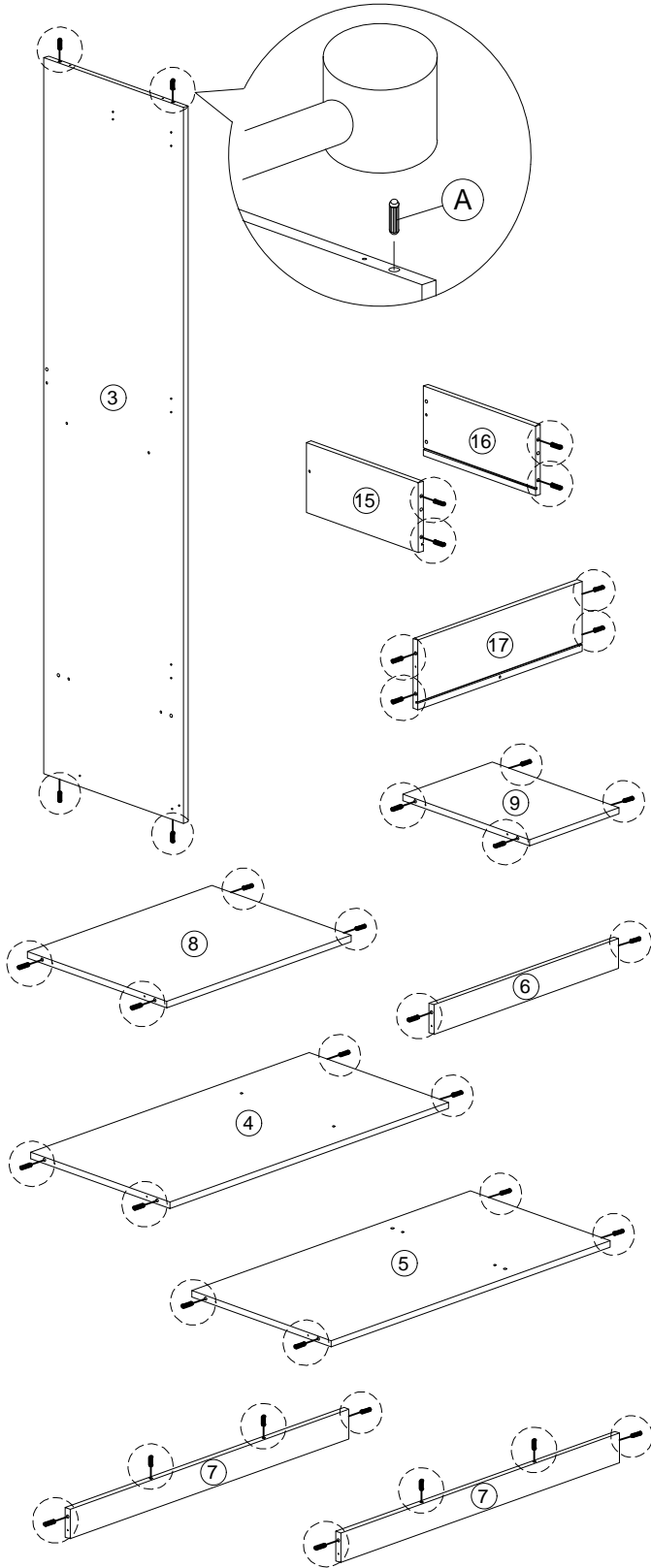
Part List



Assembly Instruction

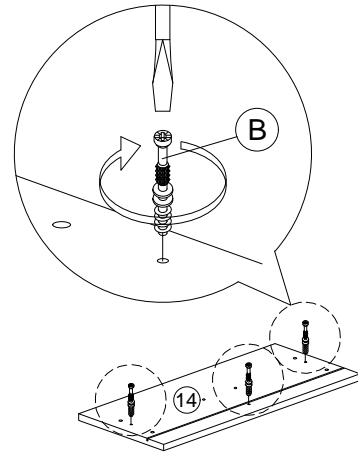
Step 1

A		8x25mm Dowel (Wood)	38Pcs
---	---	---------------------	-------

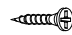



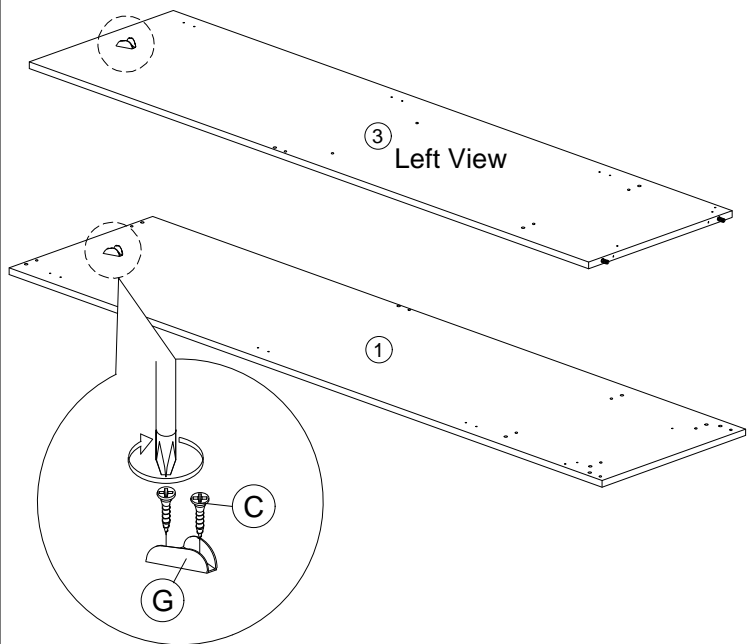
Step 2

B		Myfix	3Pcs
---	---	-------	------





Step 3


C		M3.5x16mm Screw	4Pcs
G		V Bracket	2Pcs

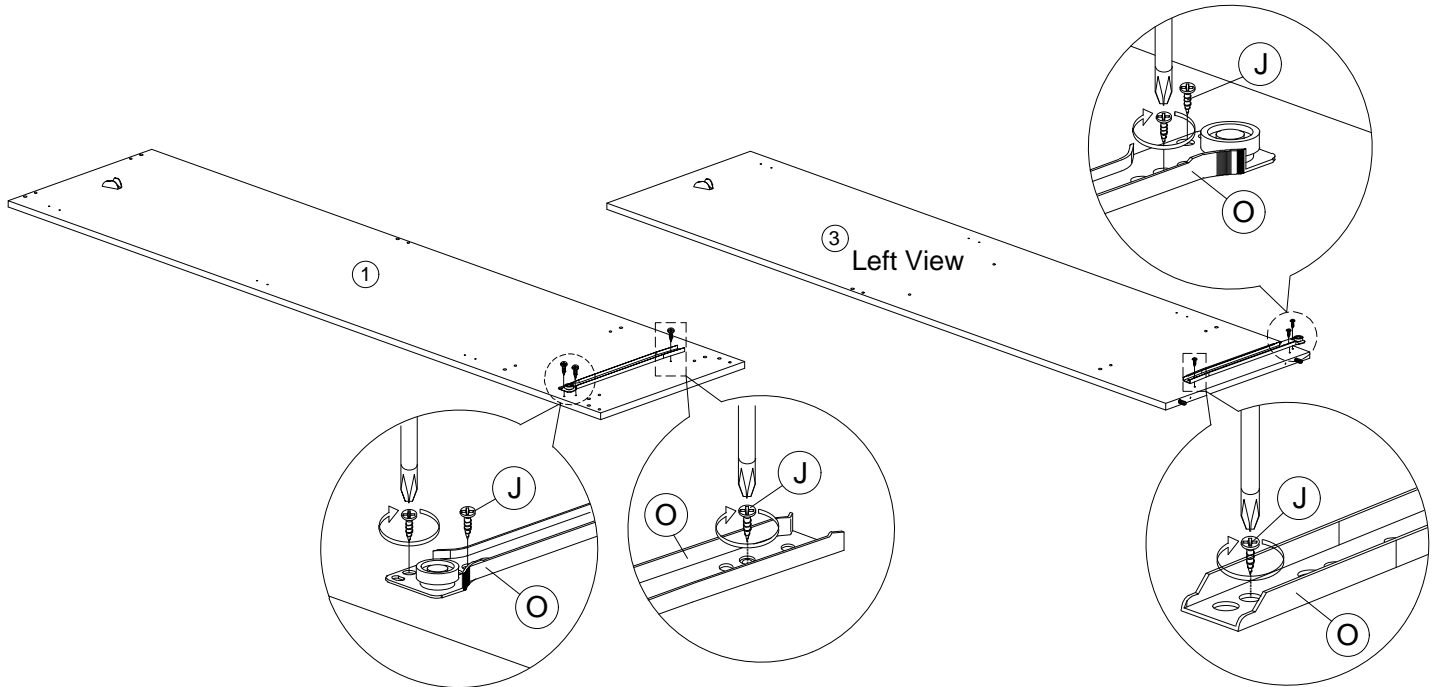


Assembly Instruction


Step 4

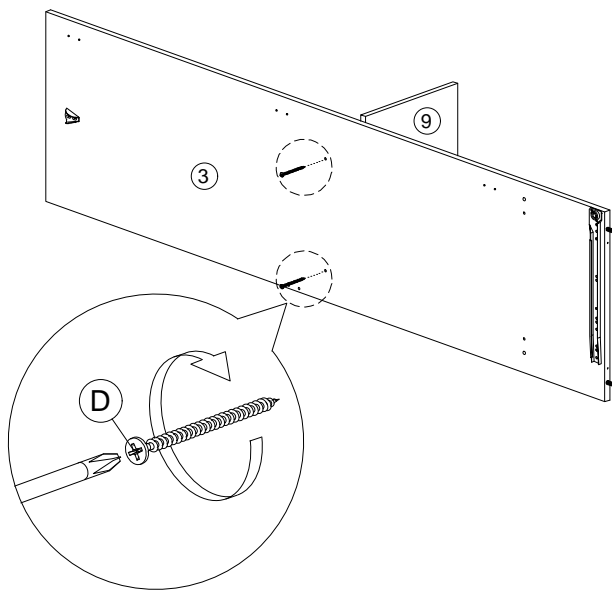
J		M3.5x12mm Screw	6Pcs
O		Drawer Slide 350mm- R	1Pc

O		Drawer Slide 350mm - L	1Pc
---	---	------------------------	-----




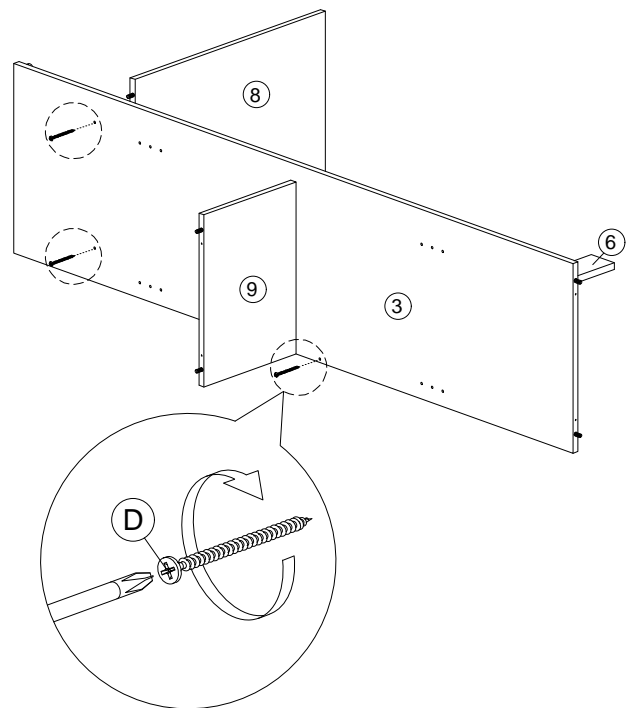
Step 5

D		M4x45mm Screw	2Pcs
---	---	---------------	------




Step 6

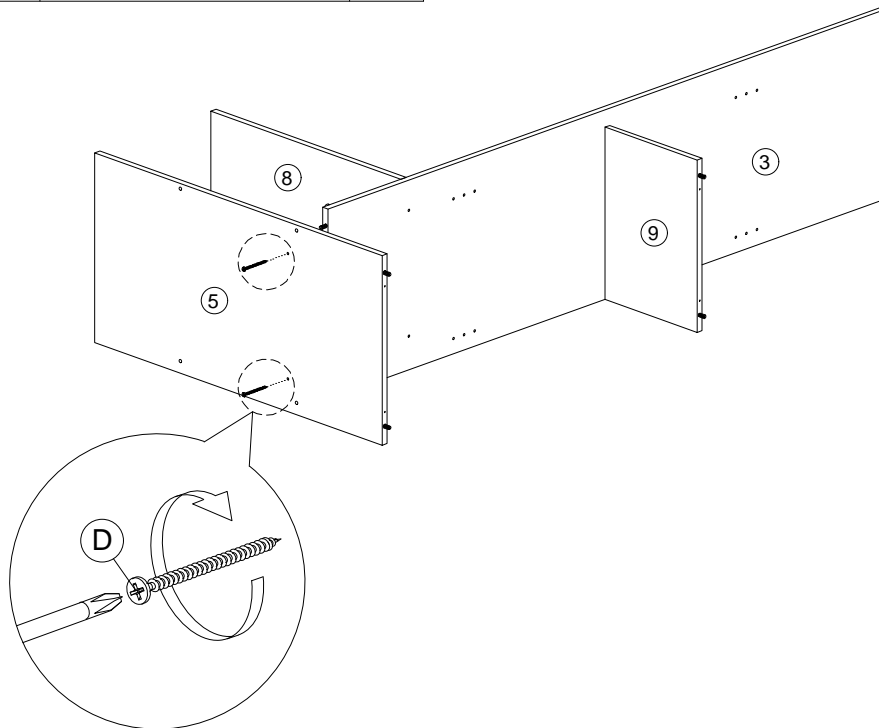
D		M4x45mm Screw	3Pcs
---	---	---------------	------



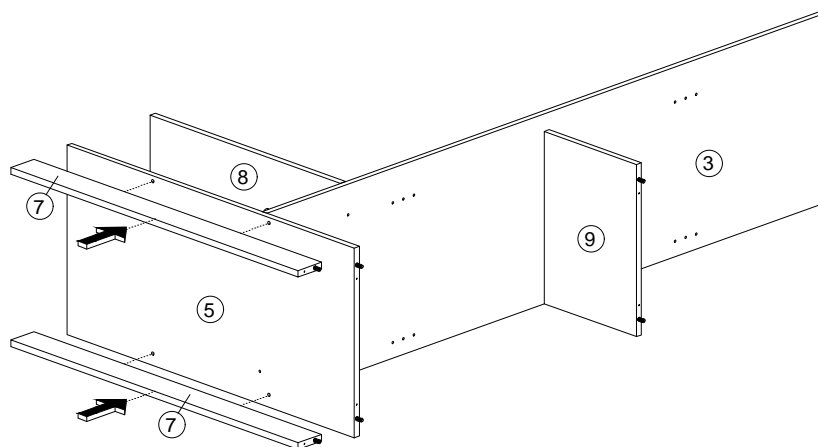
Assembly Instruction

Step 7

D		M4x45mm Screw	2Pcs
---	---	---------------	------




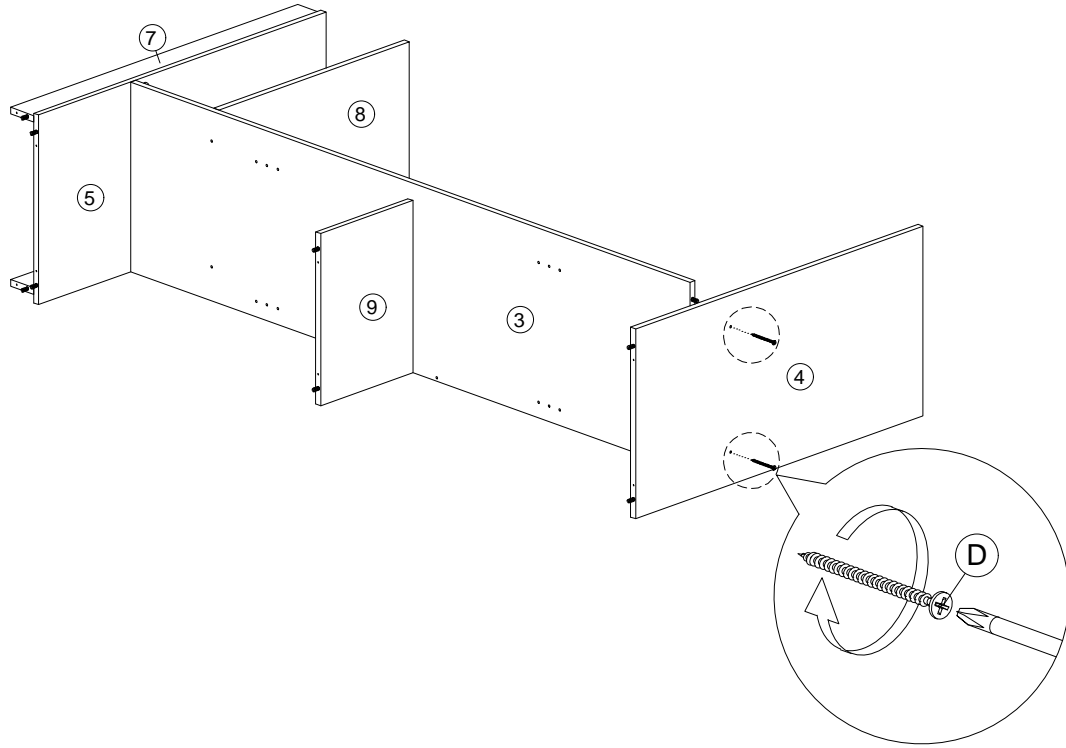
Step 8




Assembly Instruction


Step 9

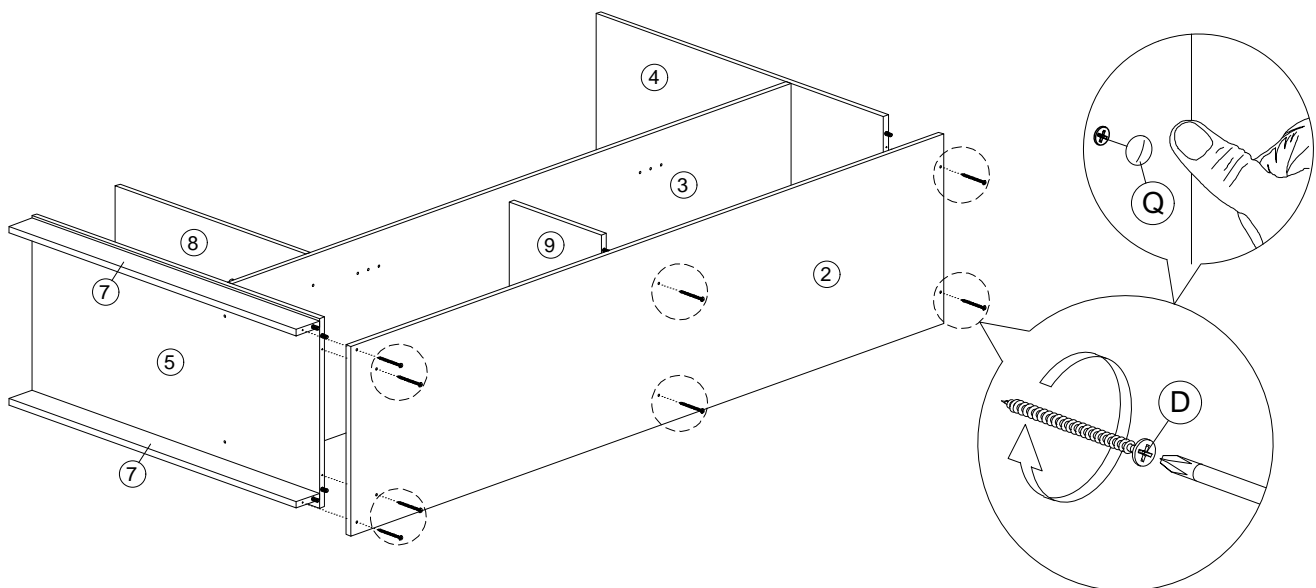
D		M4x45mm Screw	2Pcs
---	---	---------------	------



Step 10


D		M4x45mm Screw	8Pcs
---	---	---------------	------

Q		Sticker	8Pcs
---	---	---------	------

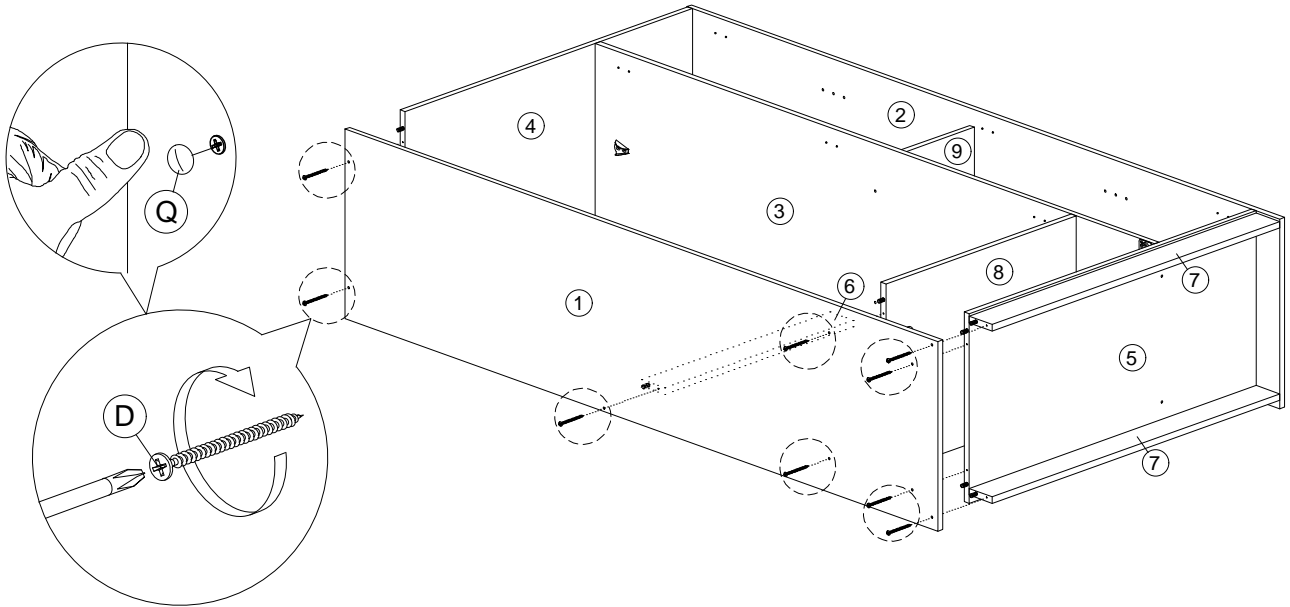


Assembly Instruction

Step 11

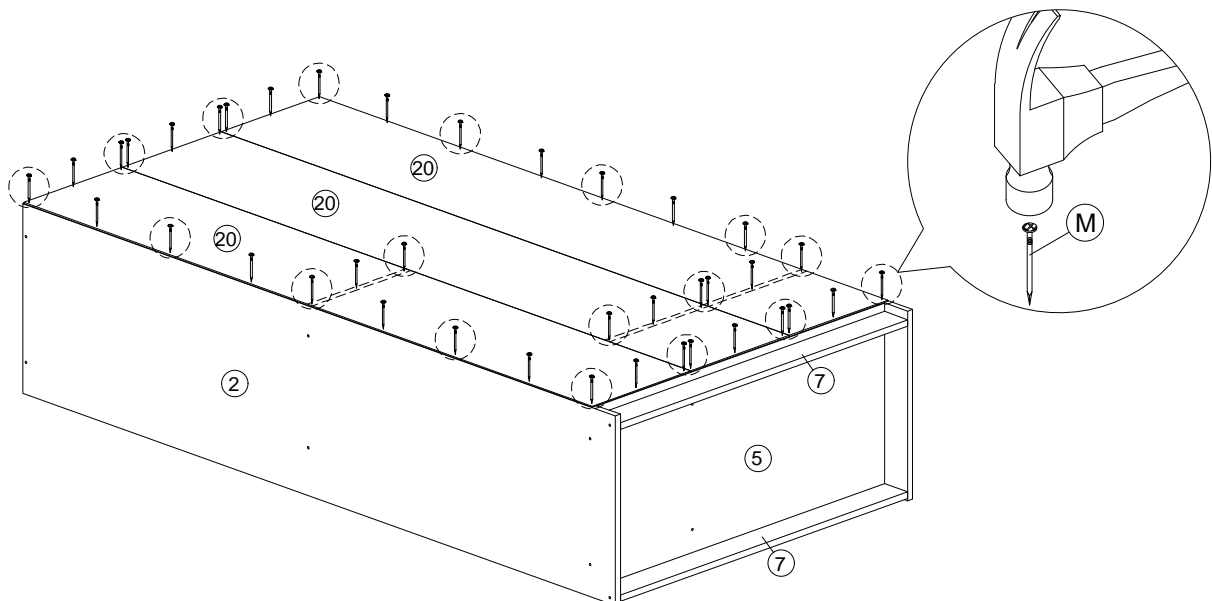
D		M4x45mm Screw	9Pcs
---	---	---------------	------

Q		Sticker	9Pcs
---	---	---------	------



Step 12

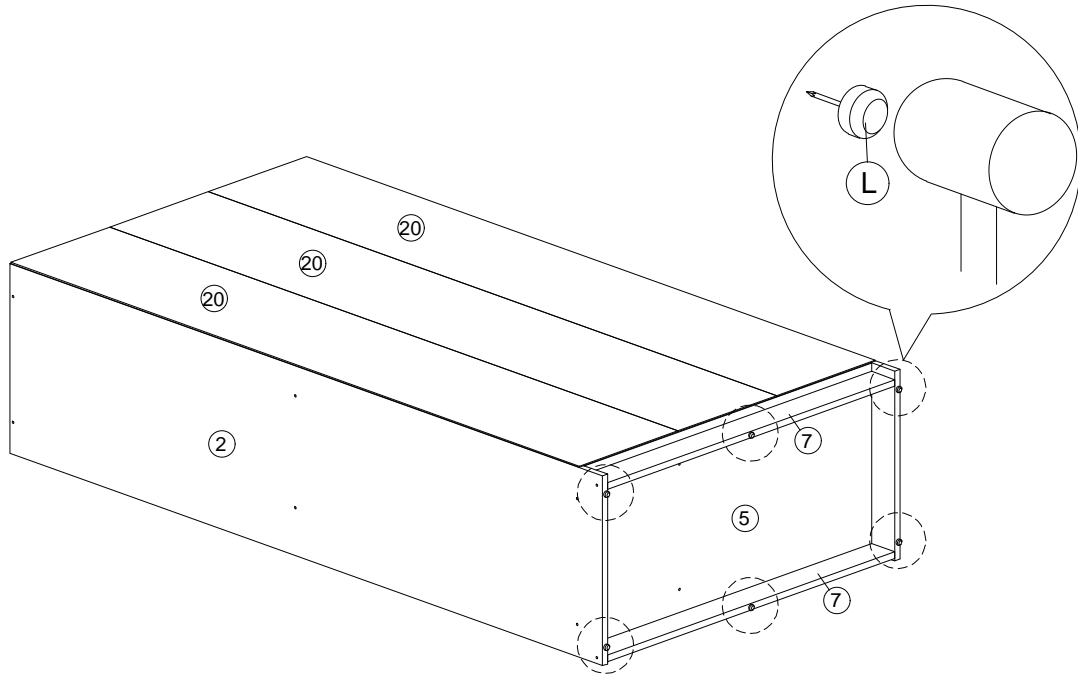
M		6/8 Power Pin	40Pcs
---	---	---------------	-------



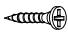
Assembly Instruction

Step 13

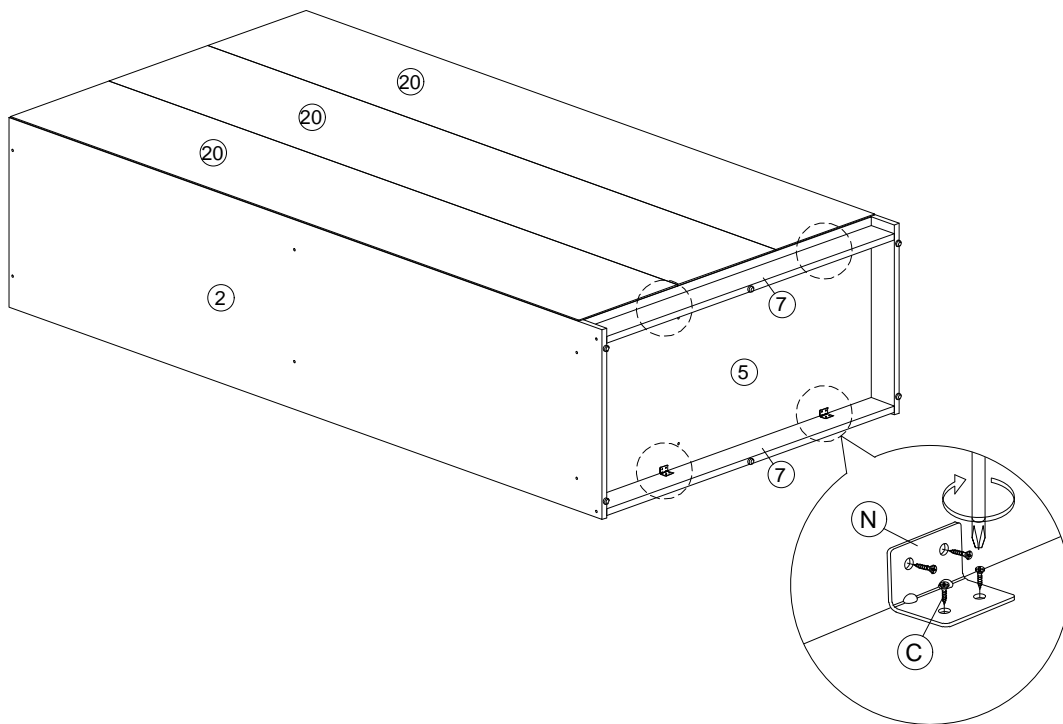
L		5/8 Nail With Pin	6Pcs
---	---	-------------------	------



Step 14


C		M3.5x16mm Screw	16Pcs
---	---	-----------------	-------

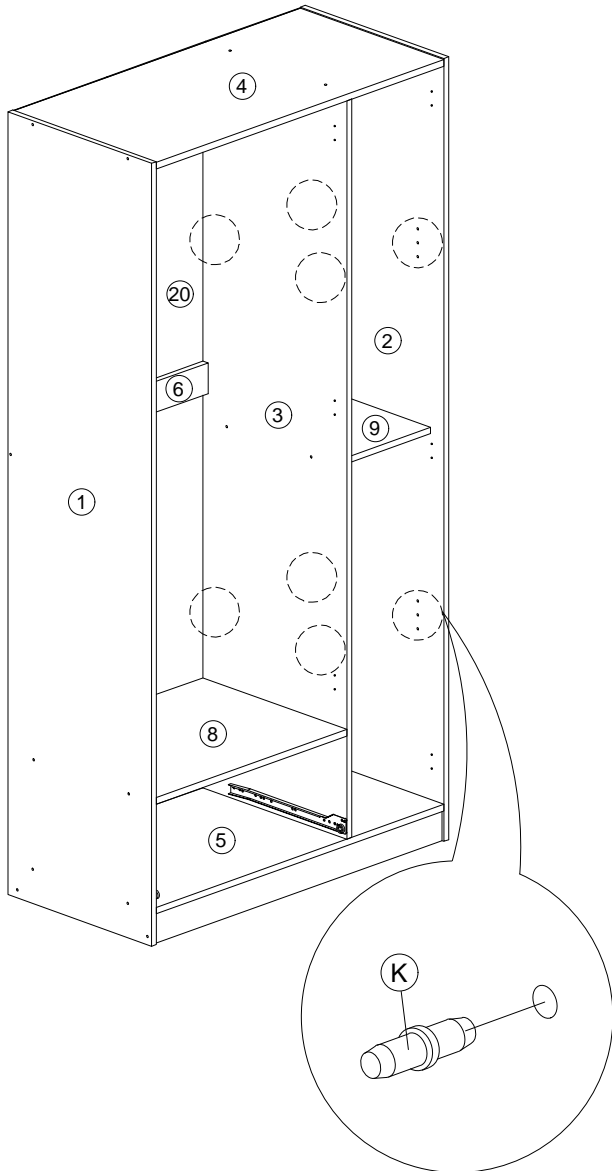
N		L Bracket	4Pcs
---	---	-----------	------



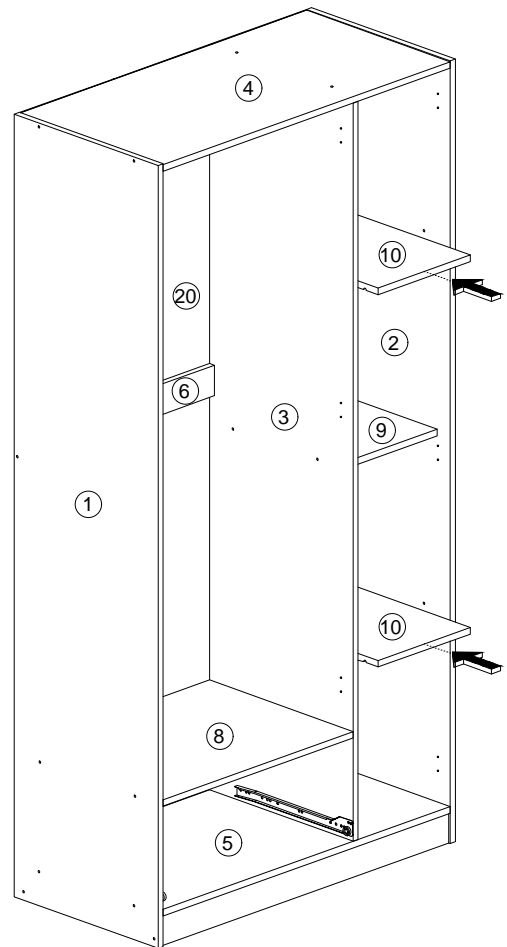
Assembly Instruction

Step 15

K		Shelf Support	8Pcs
---	---	---------------	------




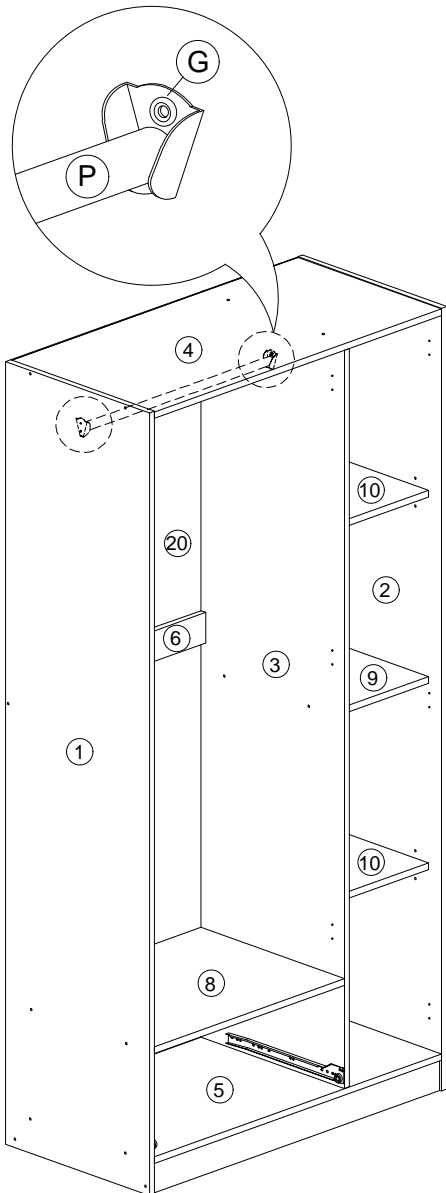
Step 16



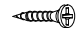

Assembly Instruction

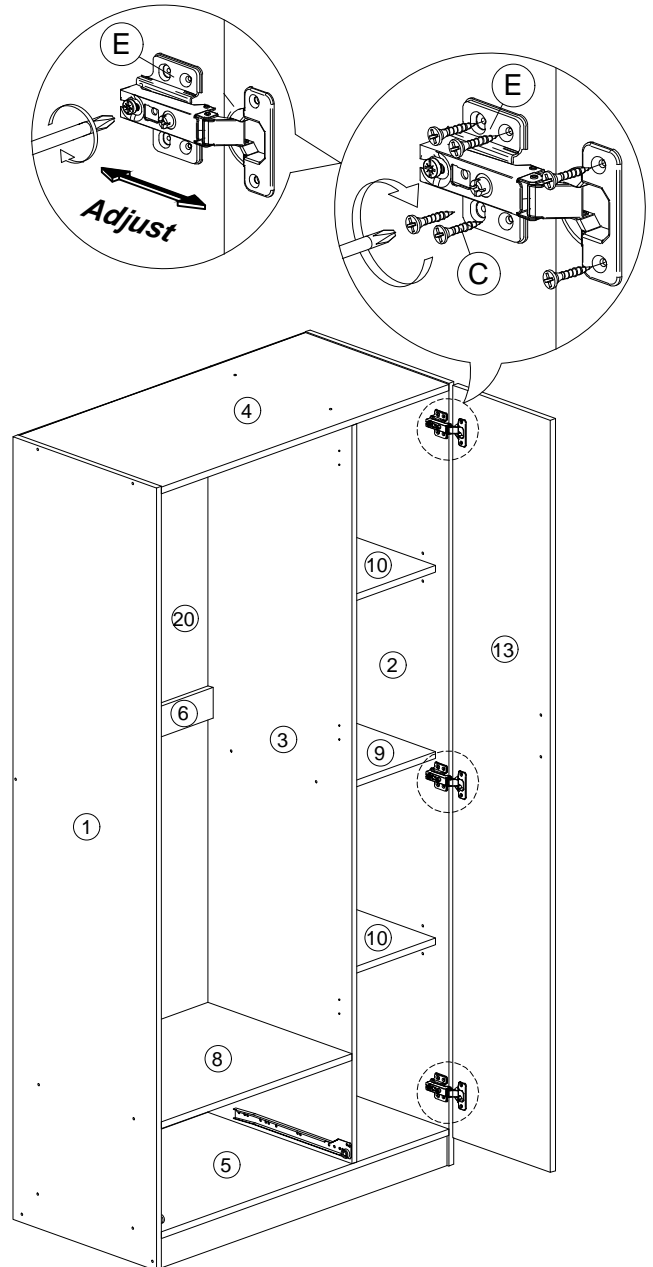
Step 17

P		Aluminium Pipe 569mm	1Pc
---	---	----------------------	-----




Step 18

C		M3.5x16mm Screw	18Pcs
E		Hinges 5/8	3Pcs

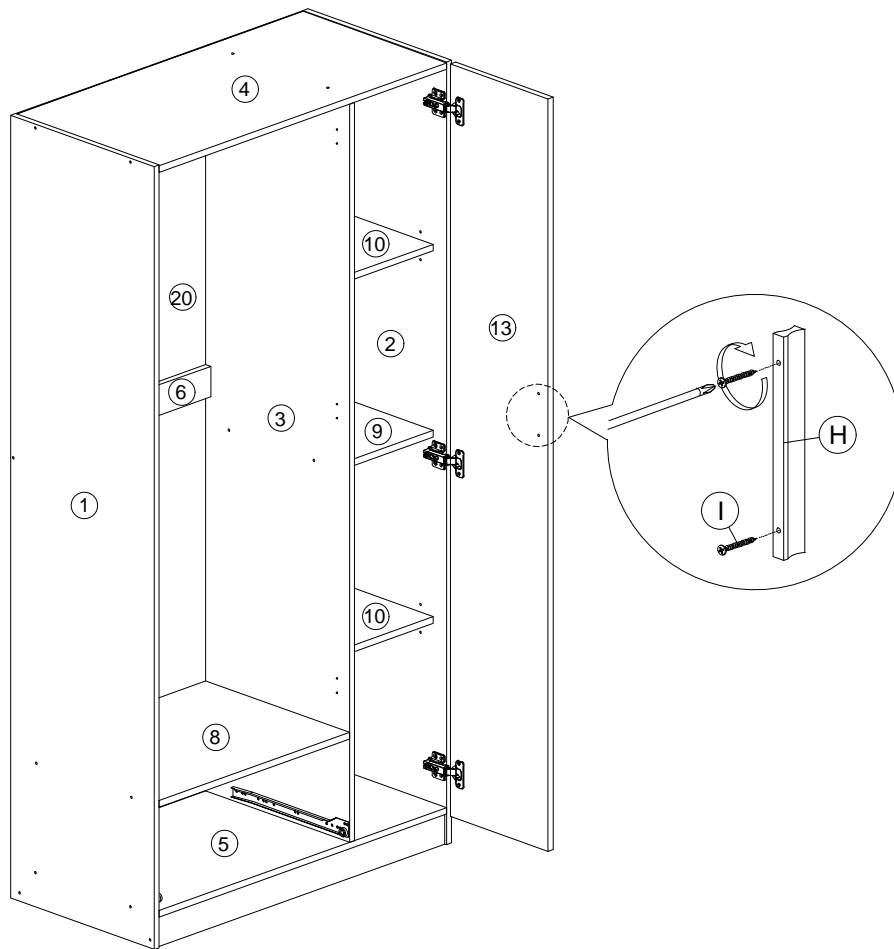


Assembly Instruction

Step 19

H		Handle 7050.96	1Pc
---	---	----------------	-----

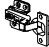
I		M4x25mm Screw	2Pcs
---	---	---------------	------

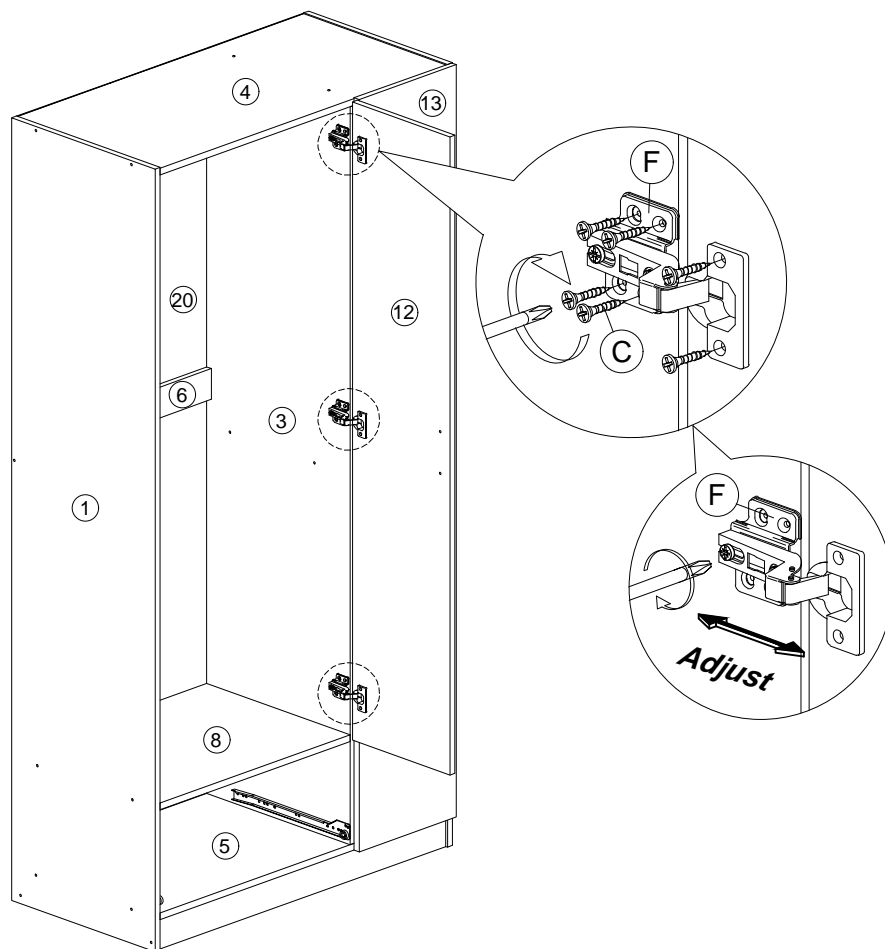


Assembly Instruction

Step 20


C		M3.5x16mm Screw	18Pcs
---	---	-----------------	-------


F		Hinges 2/8	3Pcs
---	---	------------	------

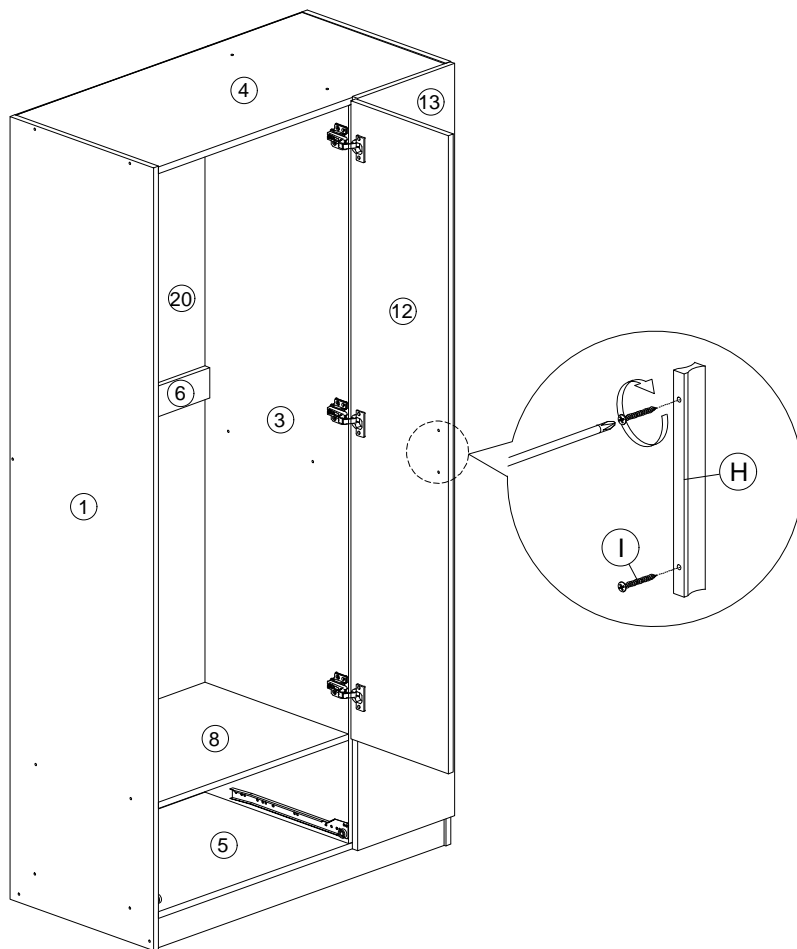


Assembly Instruction

Step 21

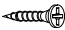
H		Handle 7050.96	1Pc
---	---	----------------	-----

I		M4x25mm Screw	2Pcs
---	---	---------------	------

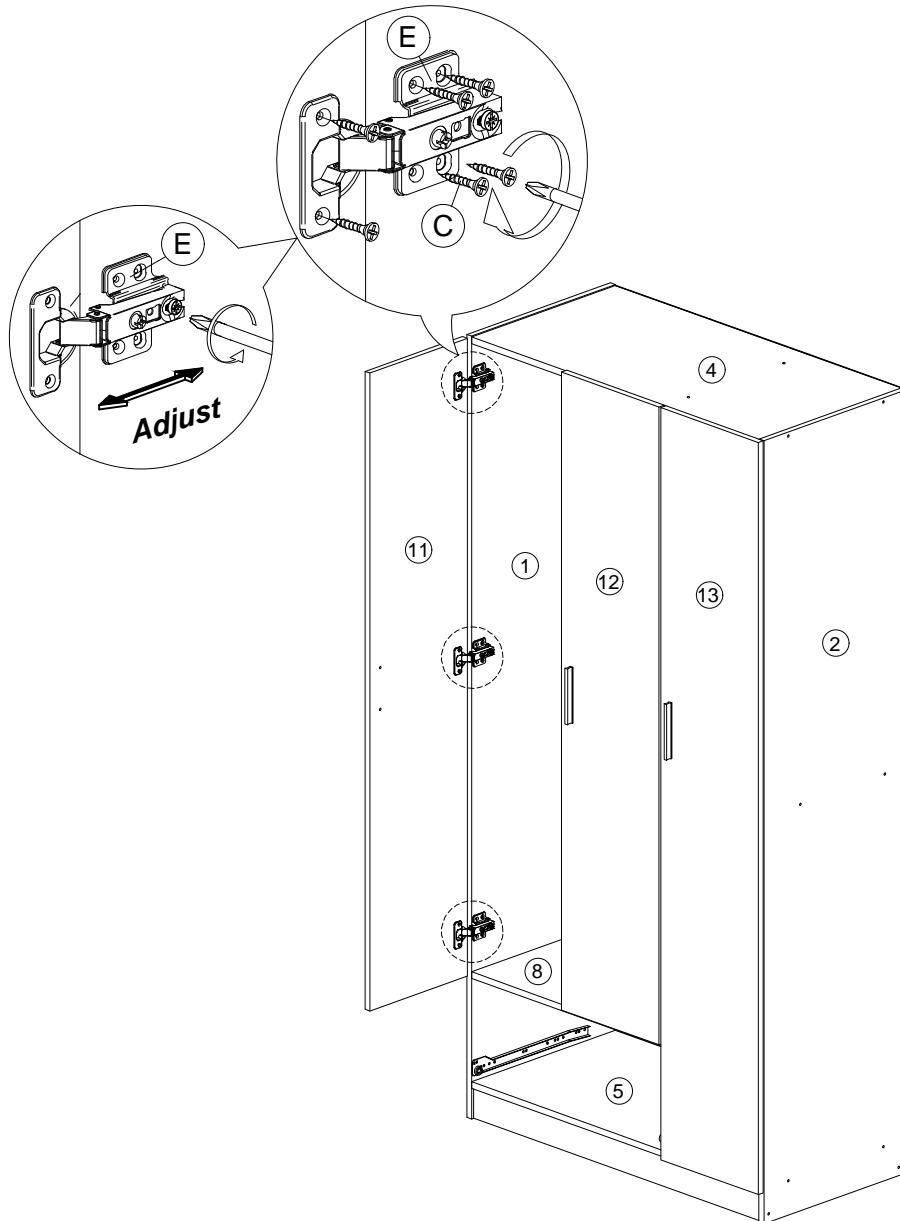


Assembly Instruction

Step 22

C		M3.5x16mm Screw	18Pcs
---	---	-----------------	-------


E		Hinges 5/8	3Pcs
---	---	------------	------

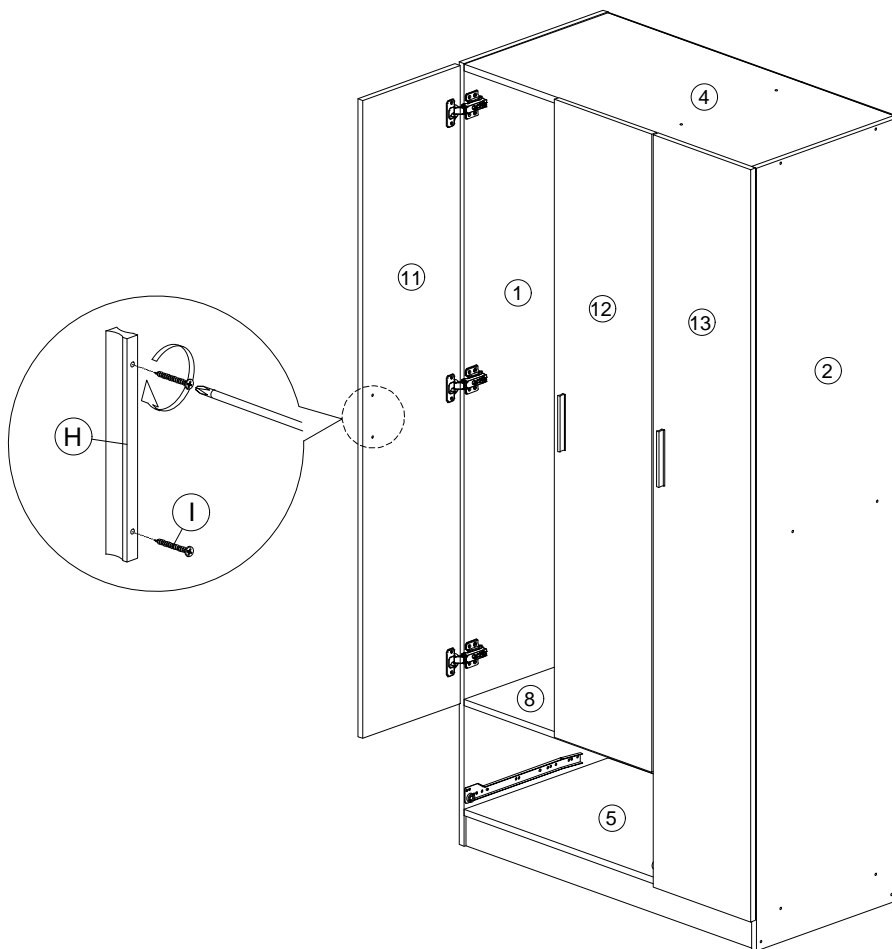


Assembly Instruction

Step 23


H		Handle 7050.96	1Pc
---	---	----------------	-----

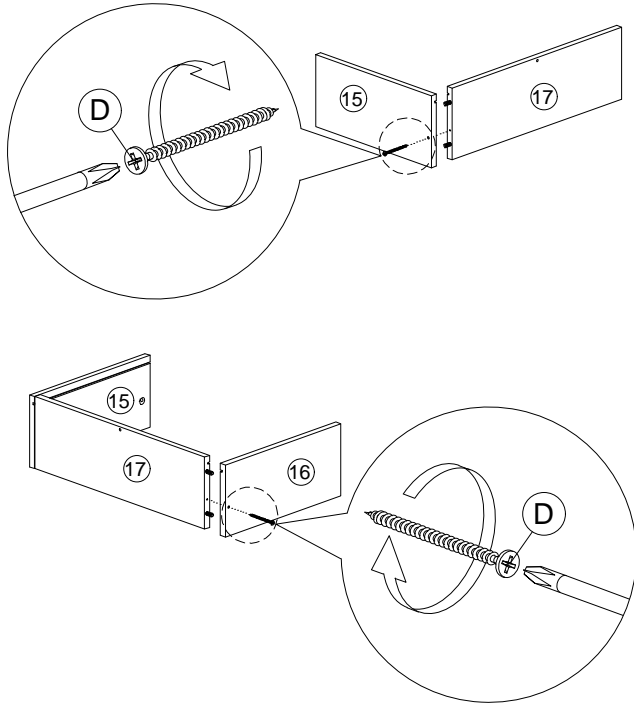
I		M4x25mm Screw	2Pcs
---	---	---------------	------




Assembly Instruction

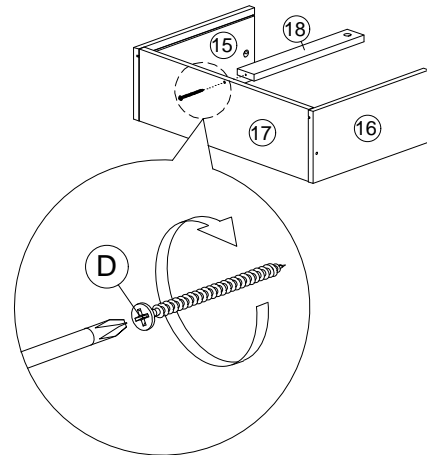
Step 24

D		M4x45mm Screw	2Pcs
---	---	---------------	------

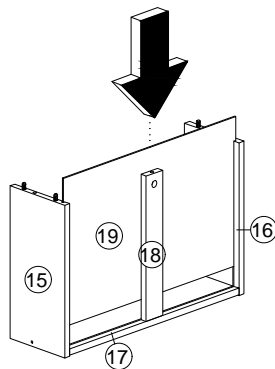


Step 25

D		M4x45mm Screw	1Pc
---	---	---------------	-----

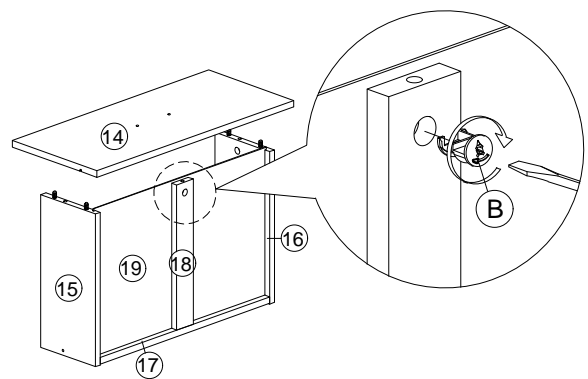


Step 26



Step 27

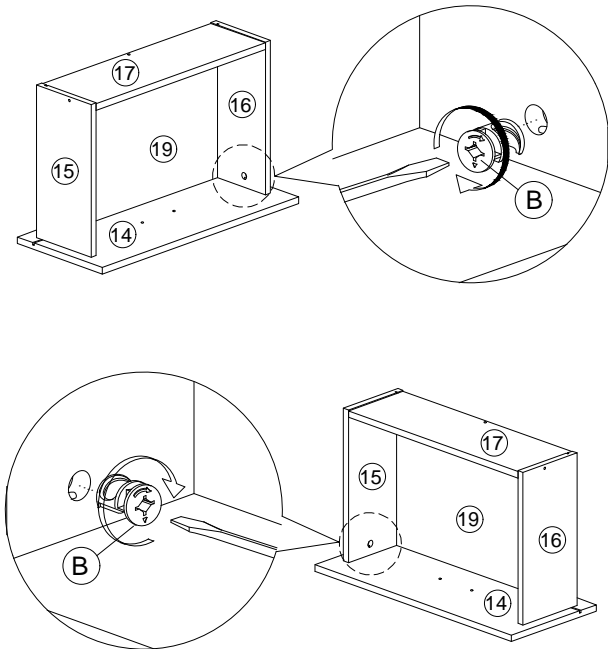
B		Minifix	1Pc
---	---	---------	-----





Assembly Instruction

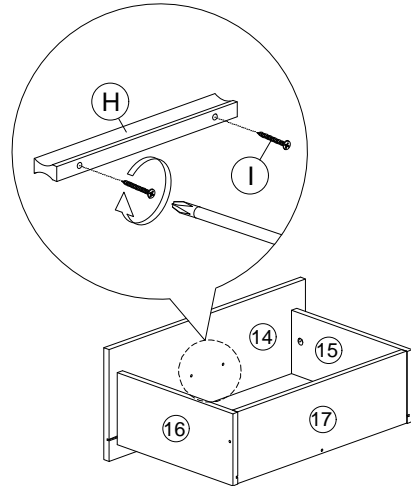
Step 28

B		Minifix	2Pcs
---	---	---------	------





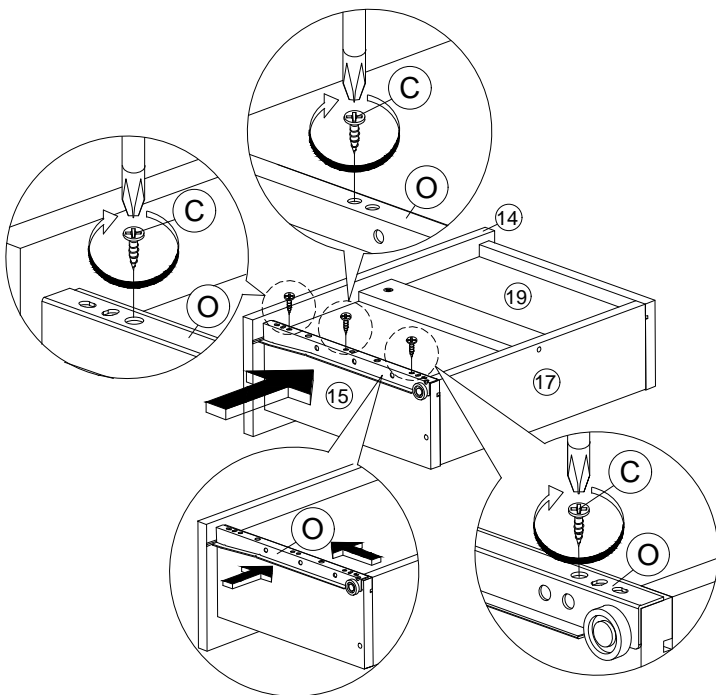
Step 29

H		Handle 7050.96	1Pc
I		M4x25mm Screw	2Pcs

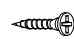



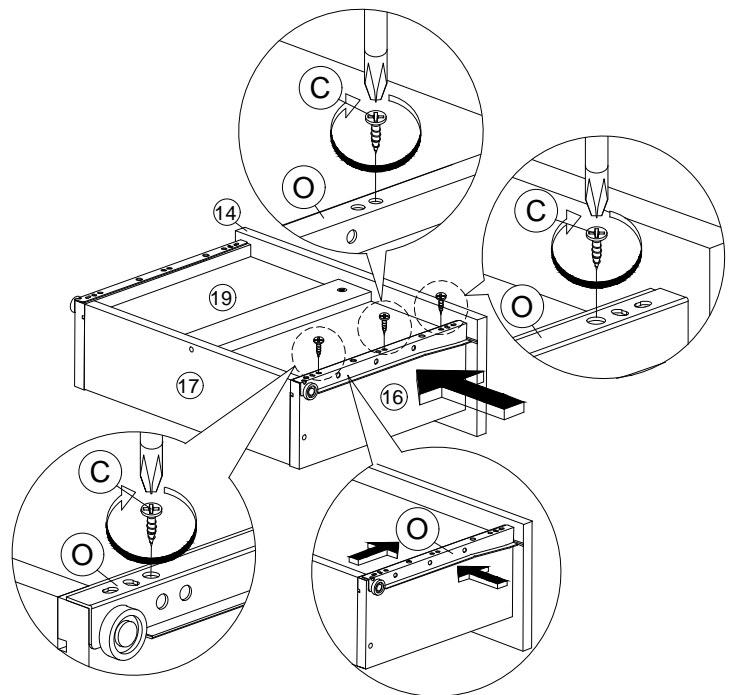
Step 30

C		M3.5x16mm Screw	3Pcs
O		Drawer Slide 350mm- L	1Pc



Step 31

C		M3.5x16mm Screw	3Pcs
O		Drawer Slide 350mm- R	1Pc



Assembly Instruction

Step 32

