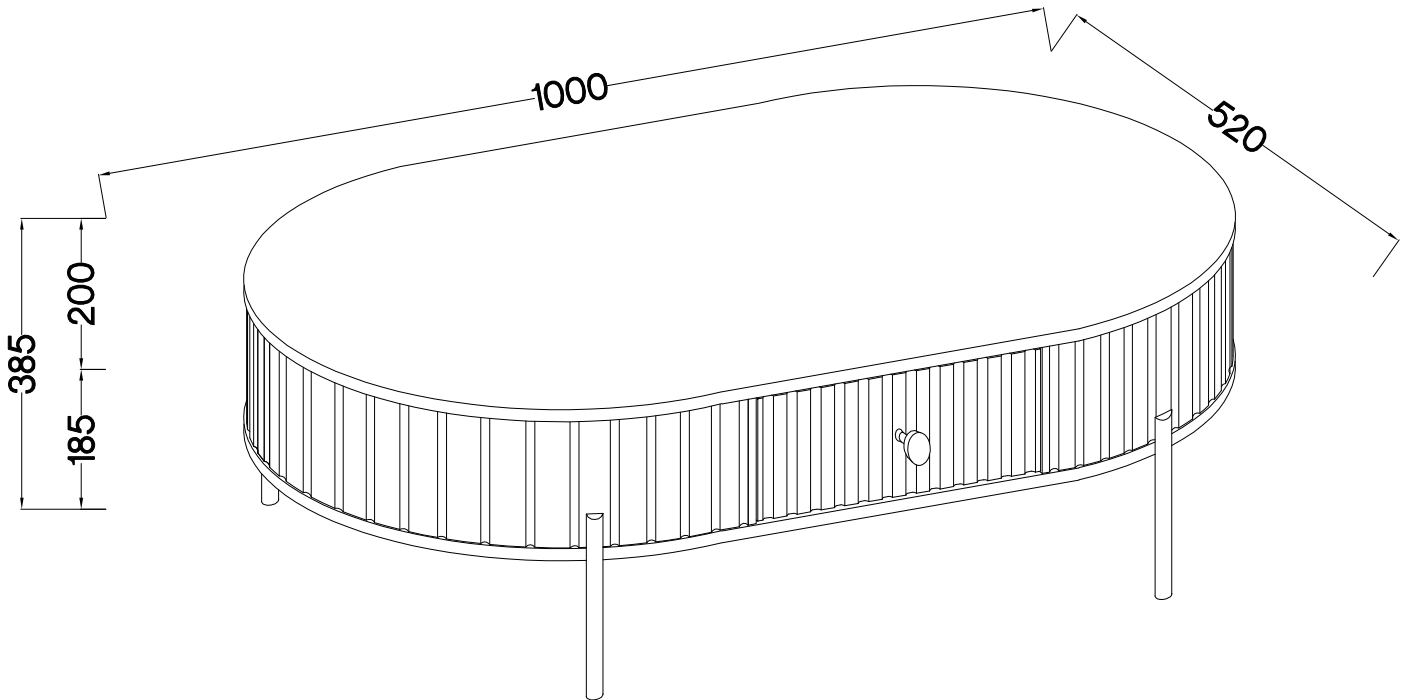
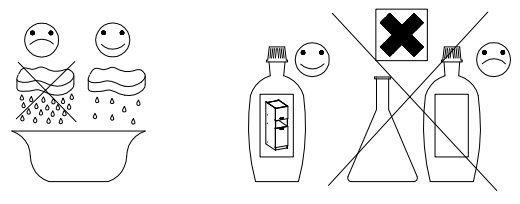
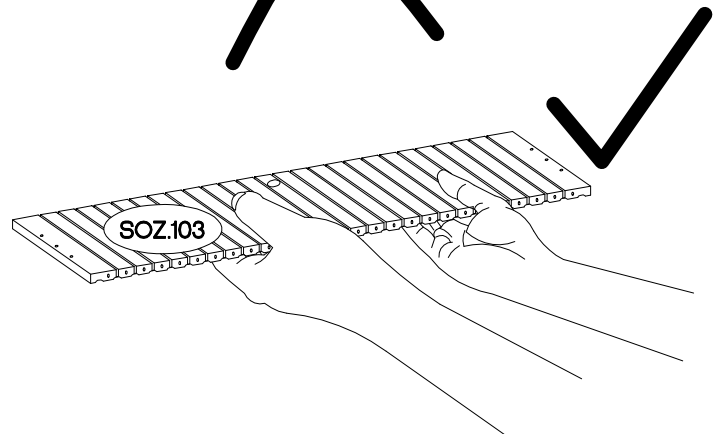
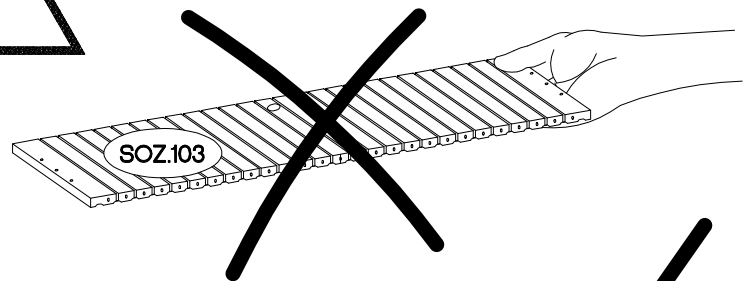
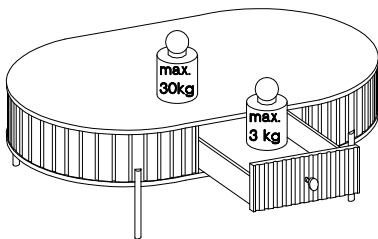
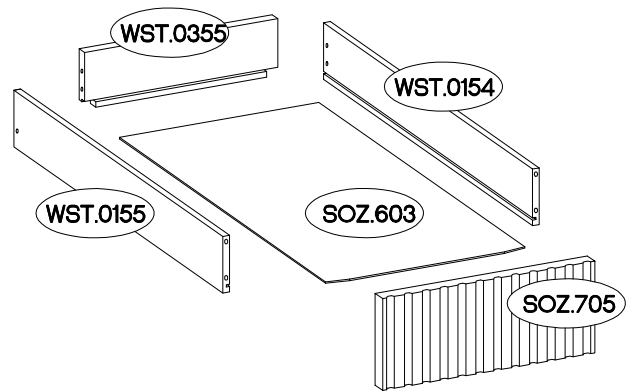
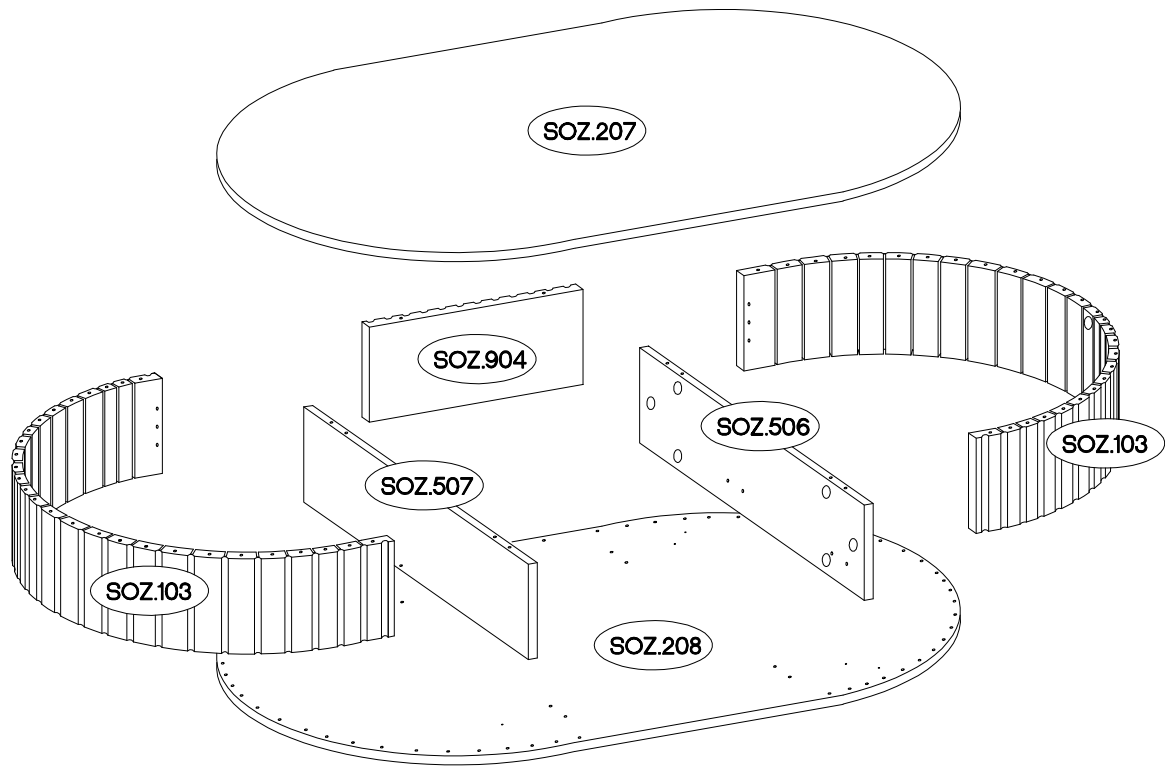


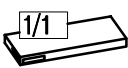
TYP 201




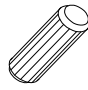
 $\pm 8 \times 30 \text{mm}$ A	 $6,4 \times 50 \text{mm}$ B	 $\pm 6 \times 42 \text{mm}$ B2	 $\pm 15 / 12 \text{mm}$ C	 $\pm 12 / 10 \text{mm}$ C5							
128	2	2	14	2							
 $L=20 \text{mm}$ D2	 $L=185 \text{mm}$ F39	 $L=450 \text{mm}$ L	 R	 I11	 L	 $\pm 6.3 \times 13 \text{mm}$ M2	 O	 $\pm 3.0 \times 20 \text{mm}$ P7	 $\pm 4.0 \times 16 \text{mm}$ R11	 S	 $M4 \times 22 \text{mm}$ U
16	4	1	1	2	8	1	2	16	1	1	

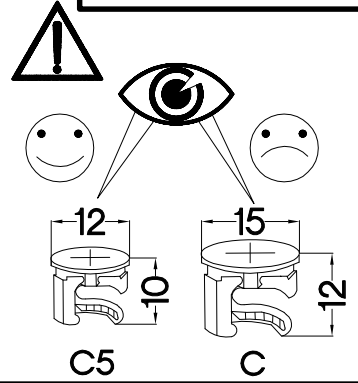
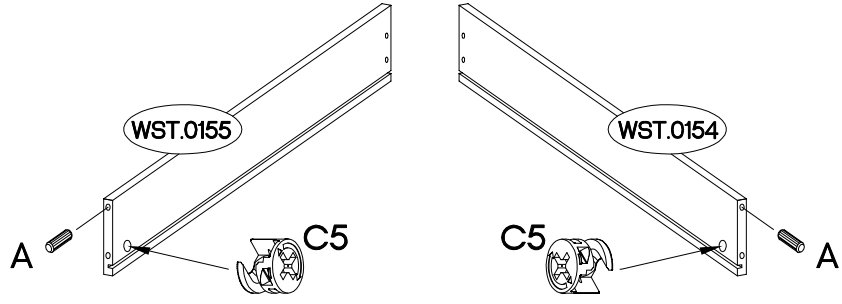
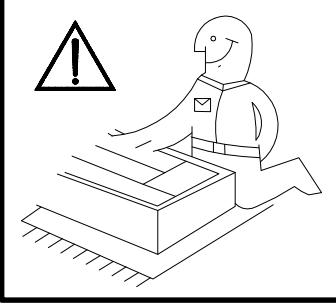
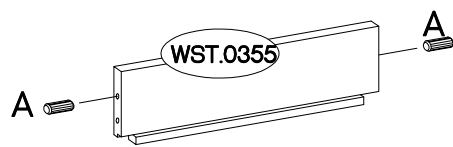
ISM-SOZ-004




	Ersatzteil Nummer	Dimension
	SOZ.207	1000x520x16
	SOZ.208	1000x520x16
	SOZ.506	168x484x16
	SOZ.507	168x484x16
	SOZ.904	168x383x16
	SOZ.603	357x448x2,5
	WST.0154	450x100x12
	WST.0155	450x100x12
	WST.0355	346x100x12
	SOZ.705	162x380x16
	SOZ.103 x2	168x896x16

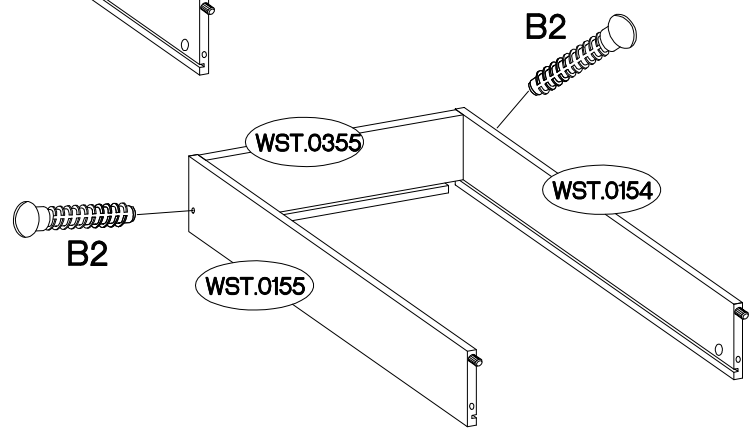
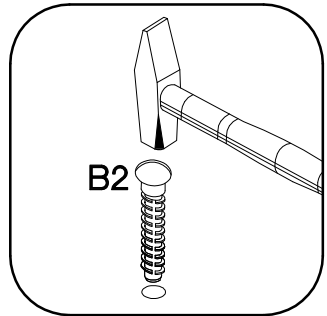
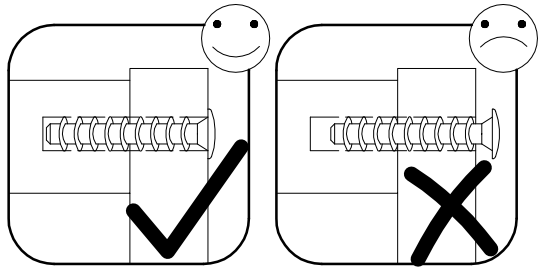
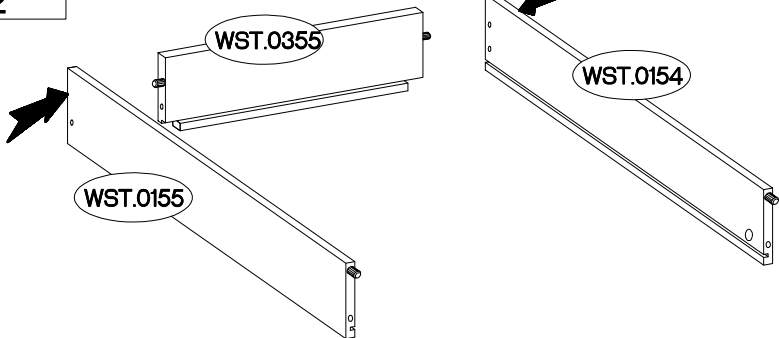
1

#12/10mm  C5 2	#8x30mm  A 4
---	---




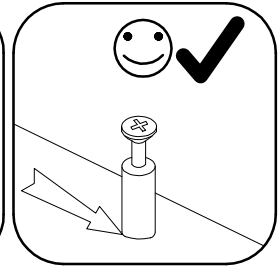
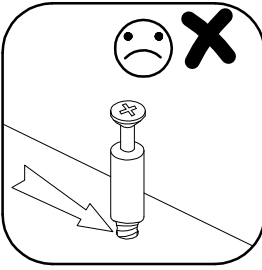
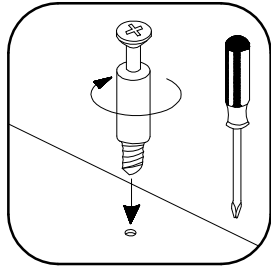
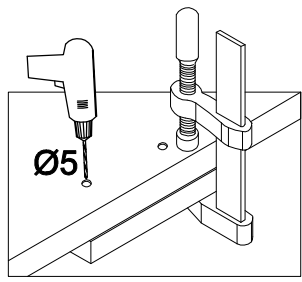
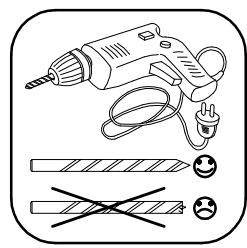
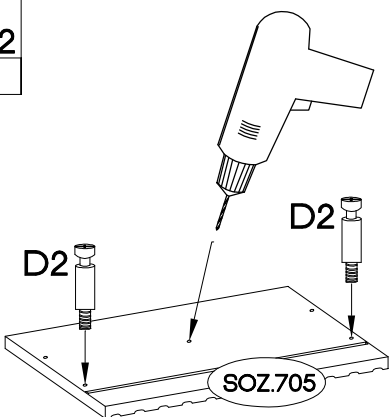
2

#6x42mm  B2 2

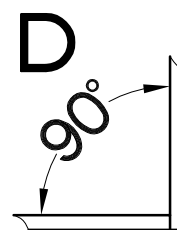
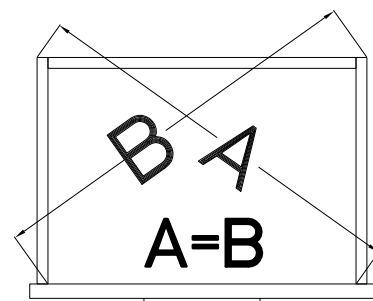
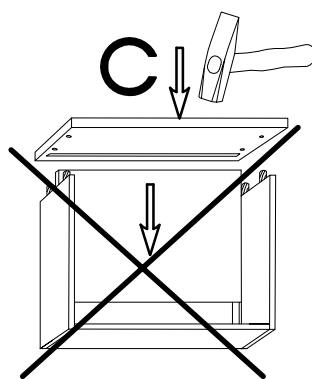
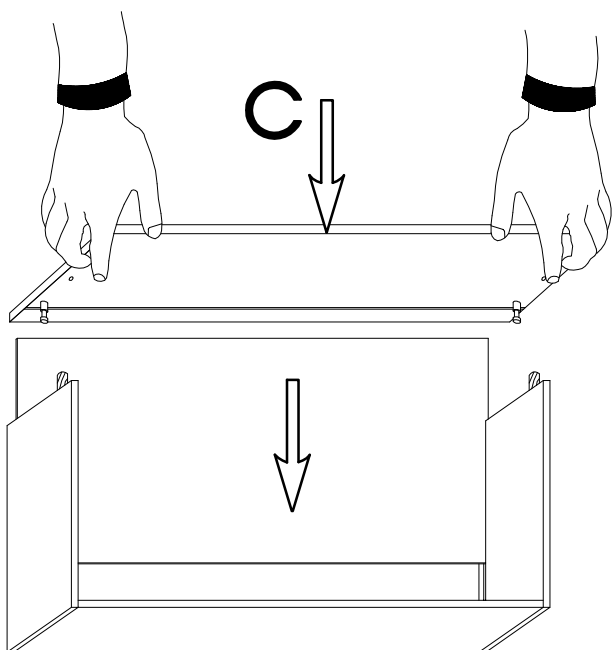
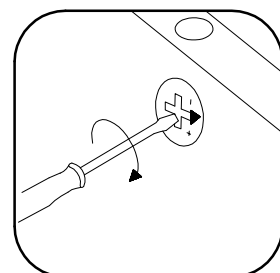
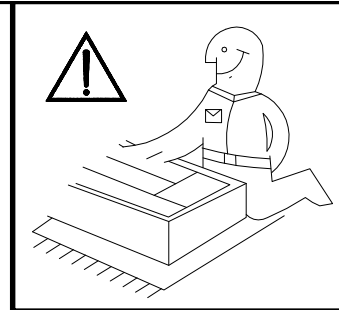
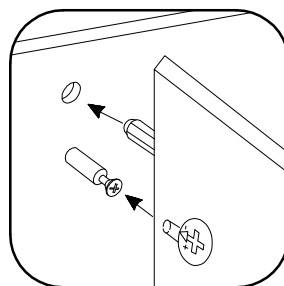
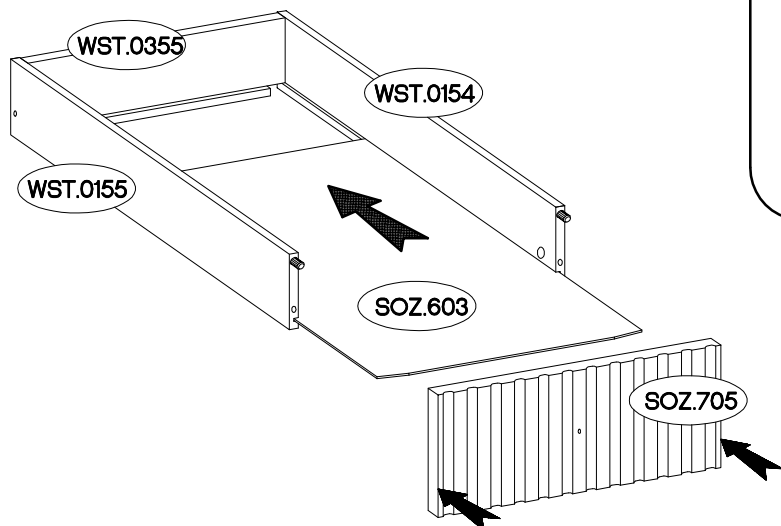


3

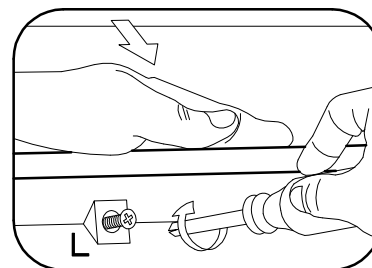
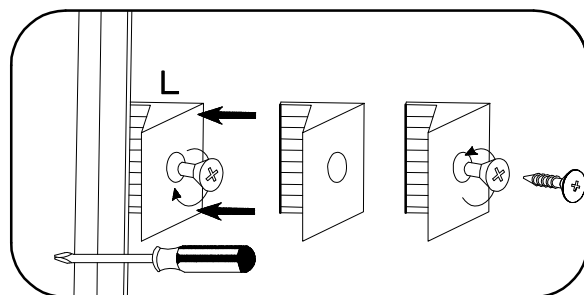
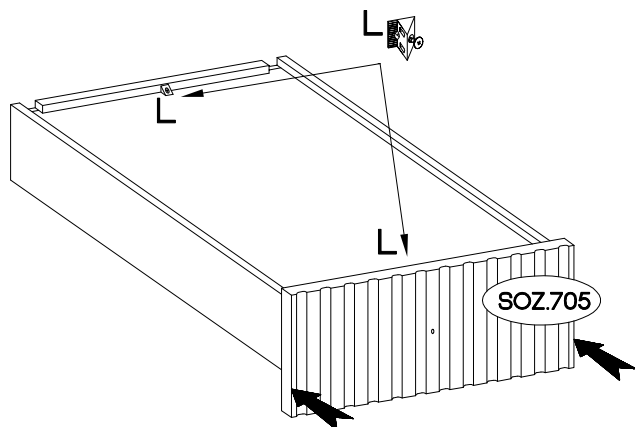
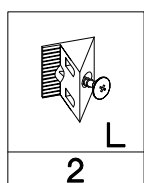
L=20mm  D2 2
--

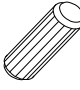

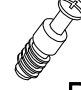


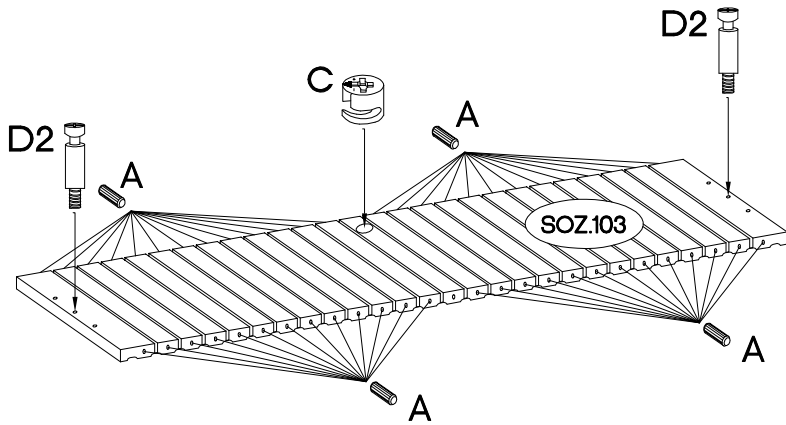
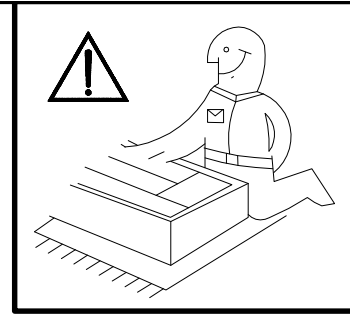
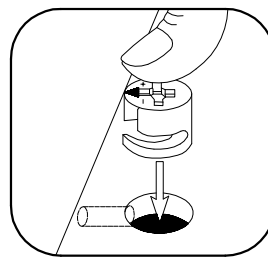
4



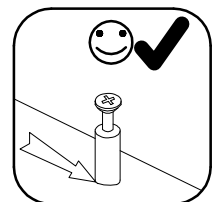
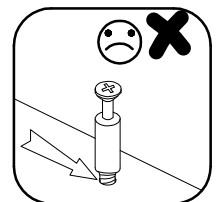
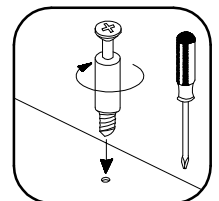
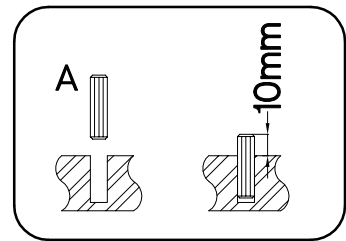
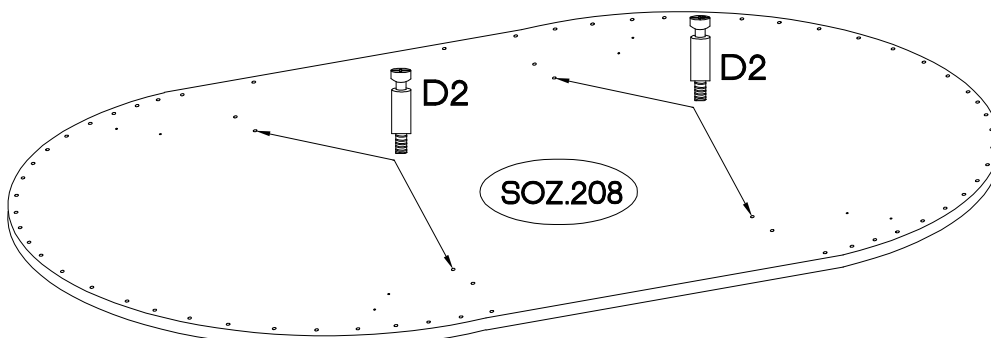
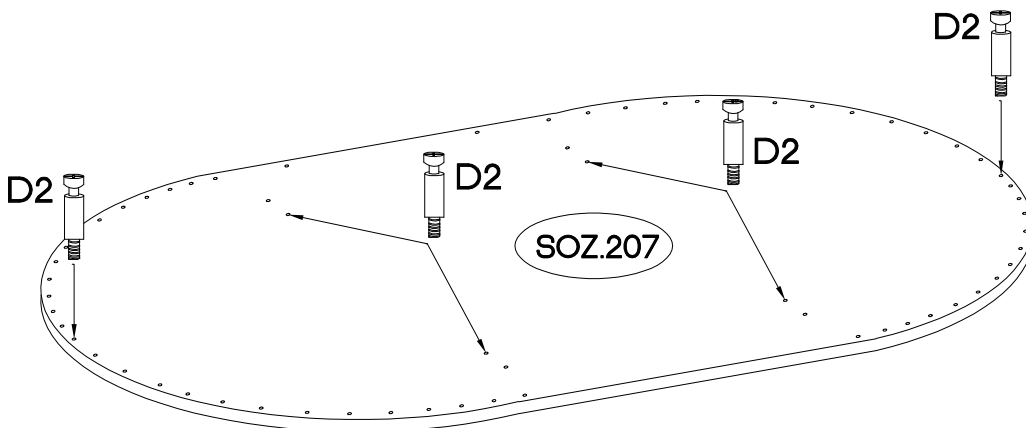
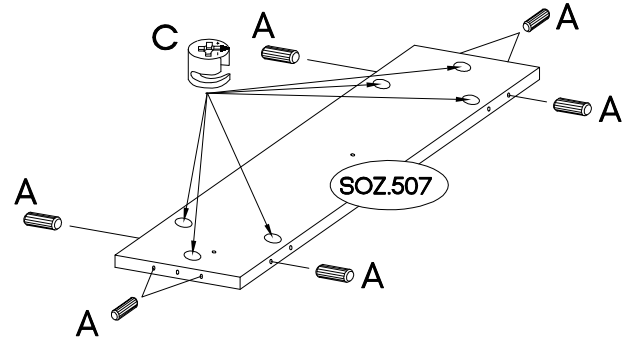
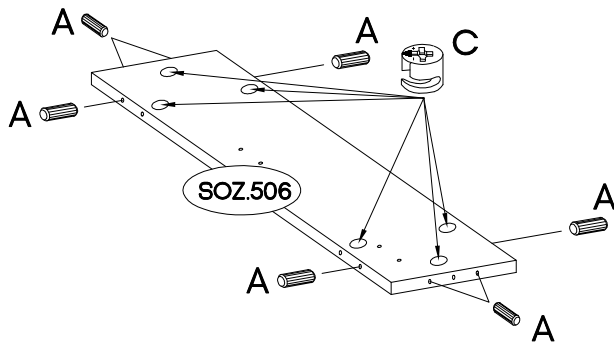
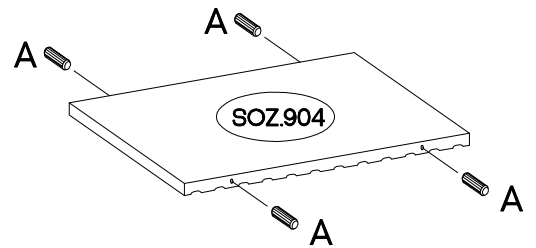
5



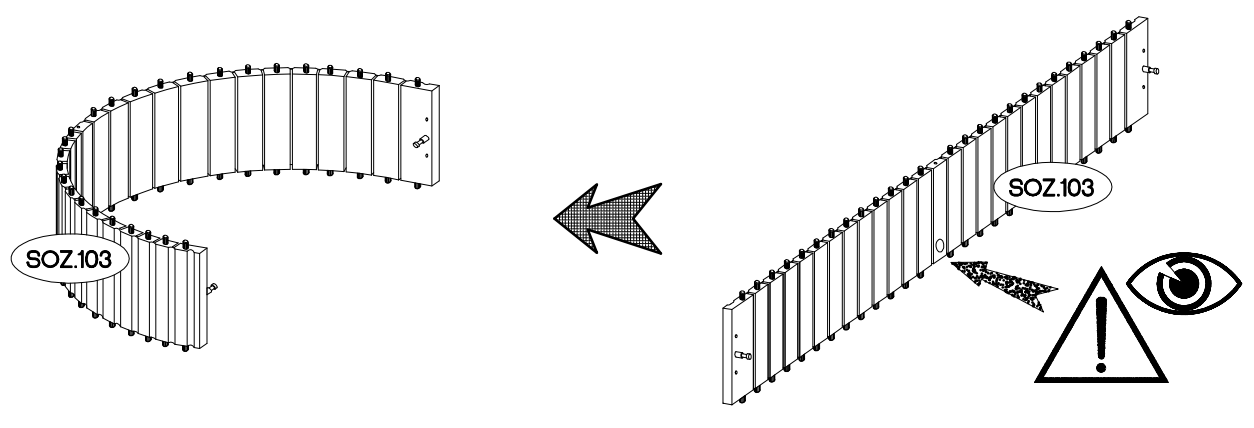
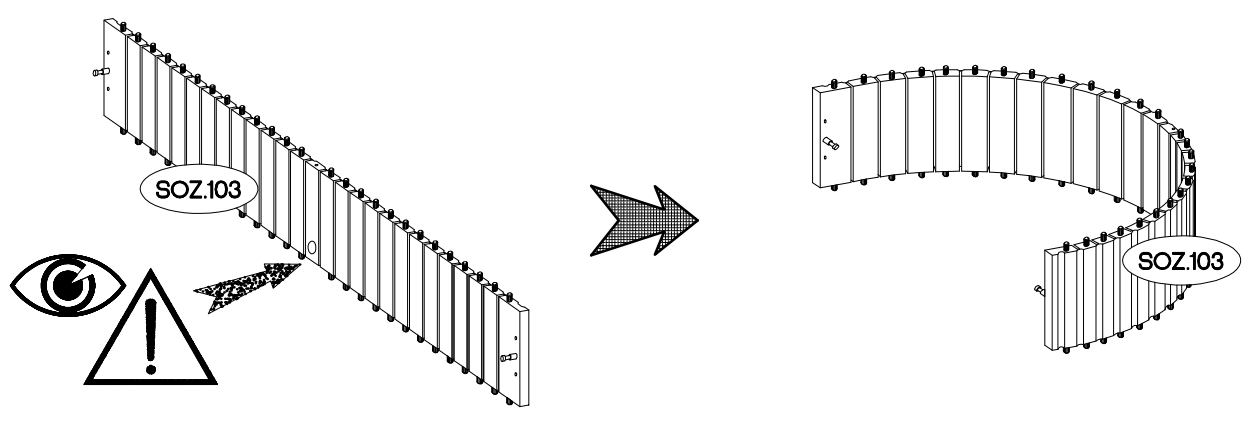
±8x30mm  A 124	±15/12mm  C 14	L=20mm  D2 14
---	---	--



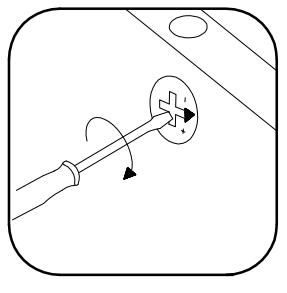
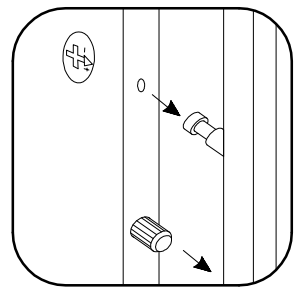
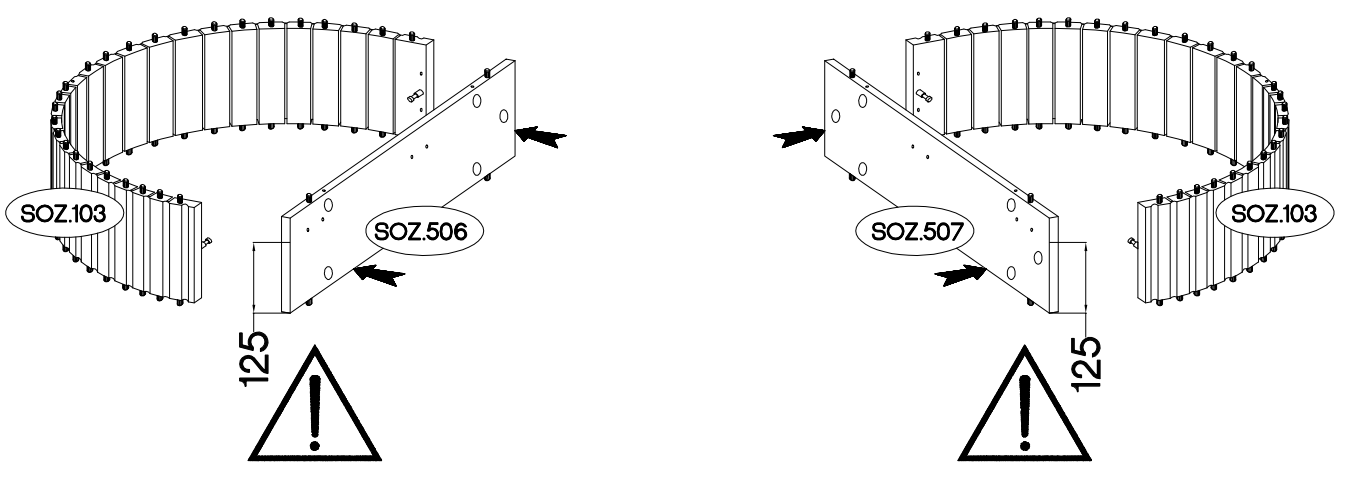
x2



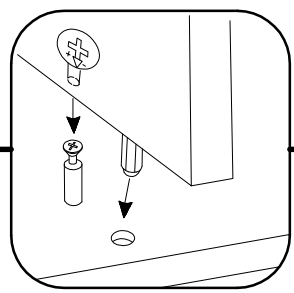
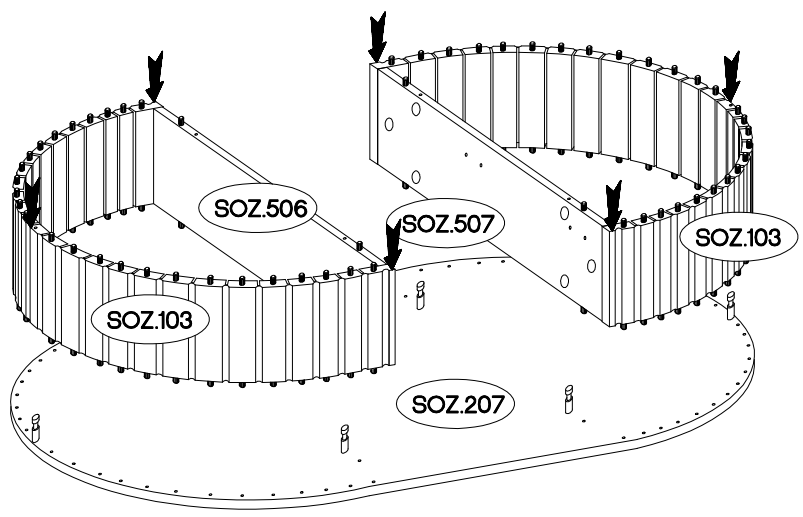
7



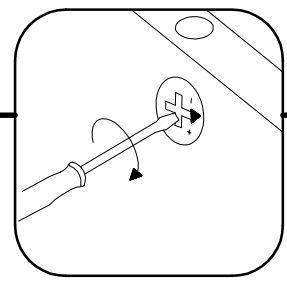
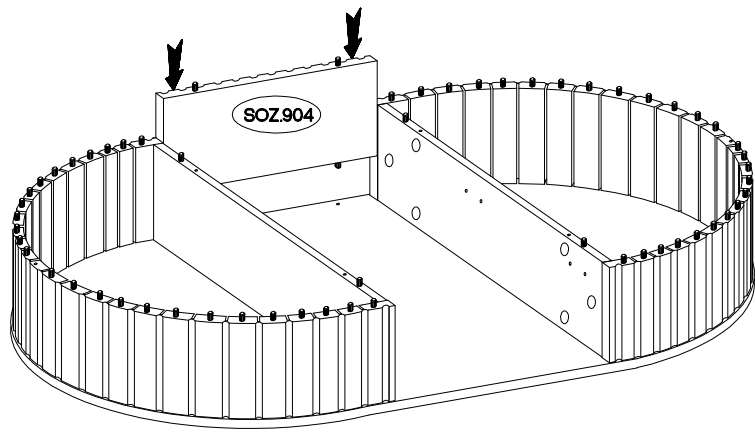
8



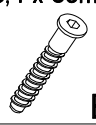
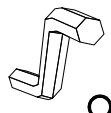
9

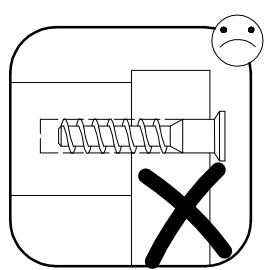
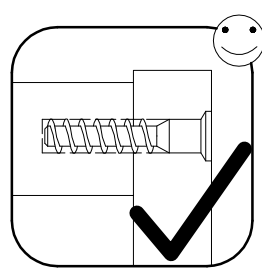
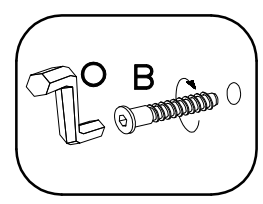
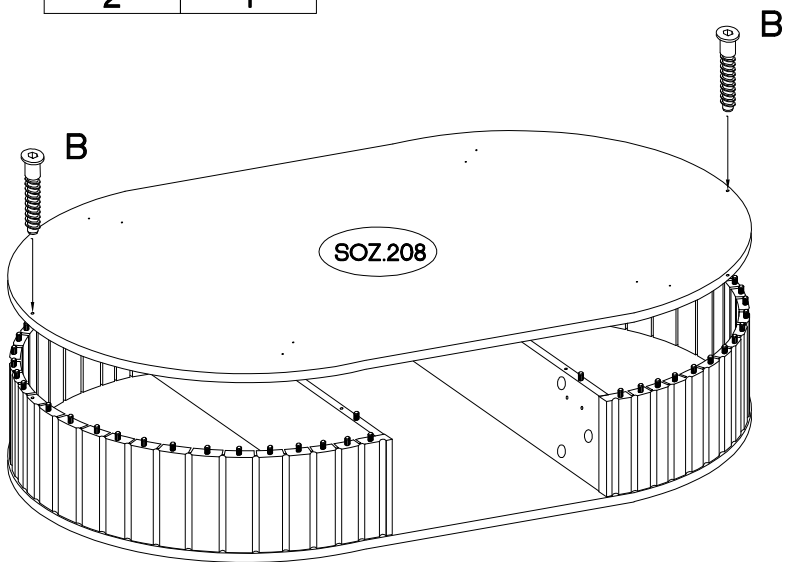




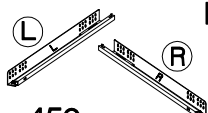

10

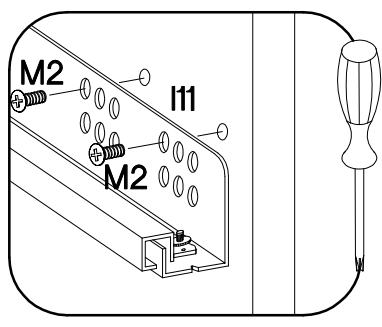
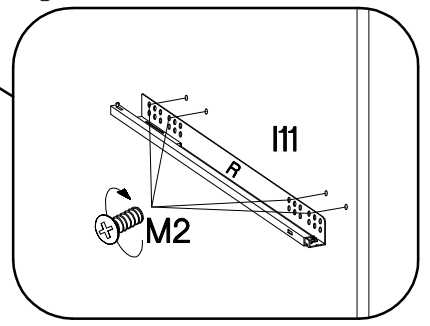
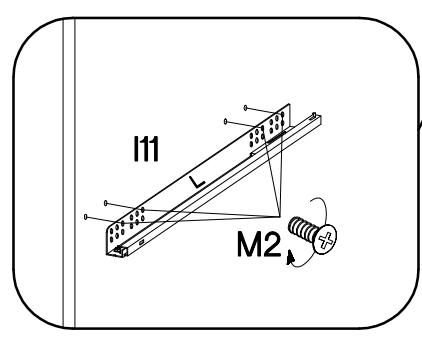
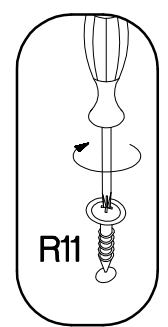
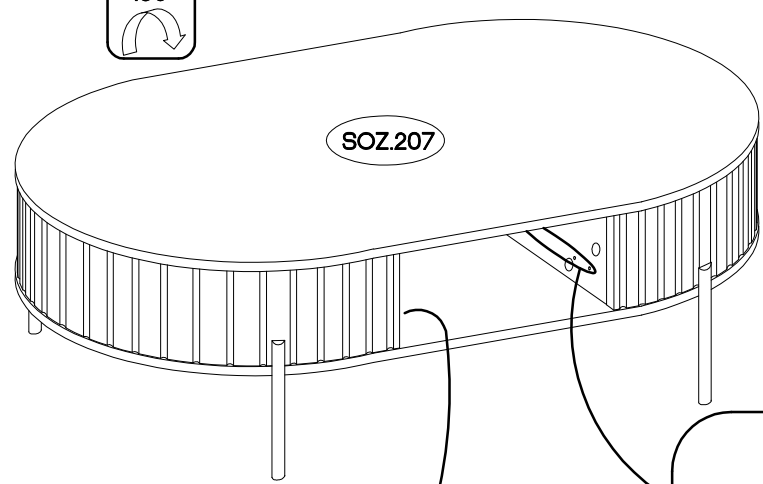
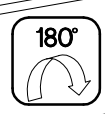
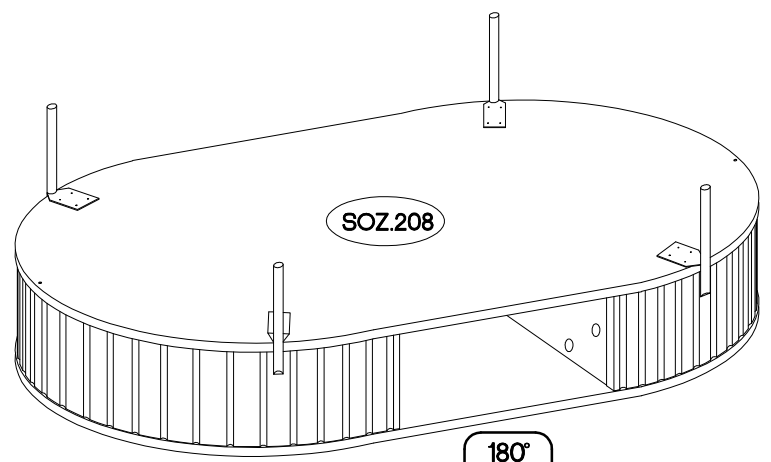
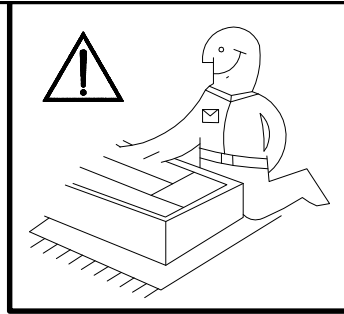





11

6,4 x 50mm	
	
B	O
2	1



L=185mm  F39 4	+4.0x16mm  R11 16	L=450mm  L R 1	[CD] +6.3x13mm  M2 8
---	--	---	---



 S	M4x22mm  U	±3.0x20mm  P7
1	1	2

