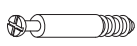








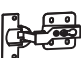

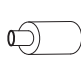




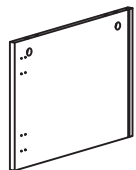
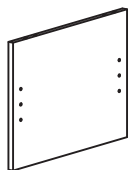
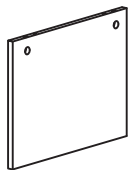
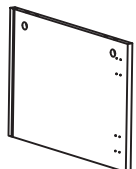
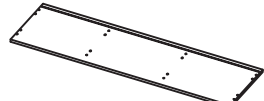
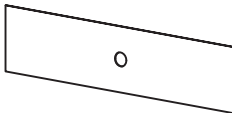
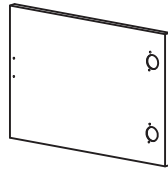

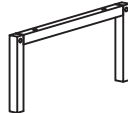



Assembly Instructions

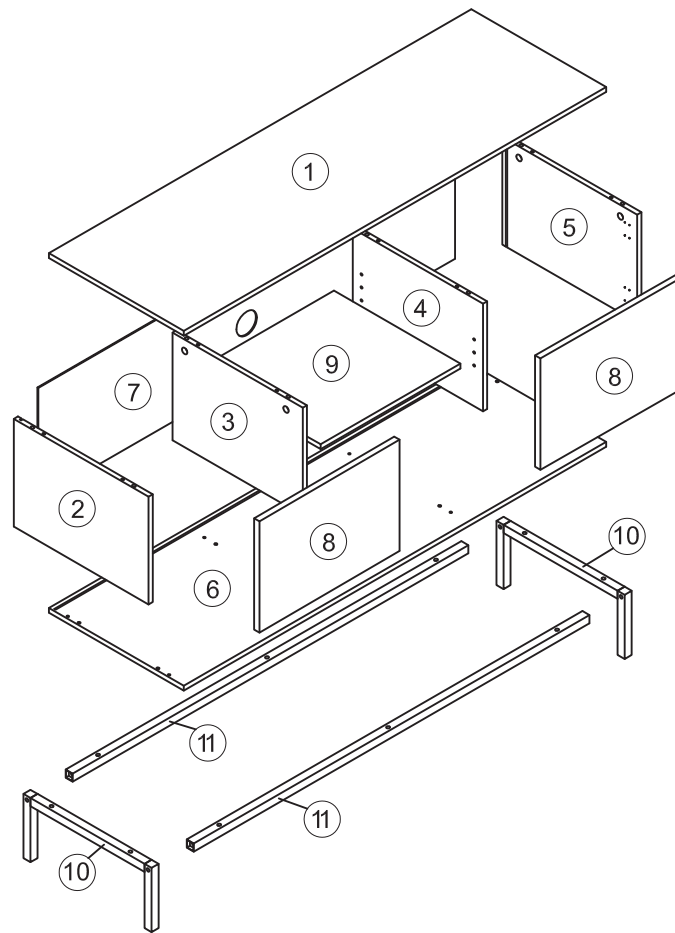
1 Hardware List



	A	M6x35mm	8pcs		B	Ø15x10mm	8pcs		C	Ø6x30mm	16pcs
	D	M3.5x12mm	28pcs		E	M4x35mm	8pcs		F	M6x28mm	10pcs
	G	M6x40mm	4pcs		H		2pcs		I		4pcs
	J		4pcs		K		4pcs		L		2pcs
	M	M4*12mm	4pcs		N	M4mm	1pc		O		8pcs

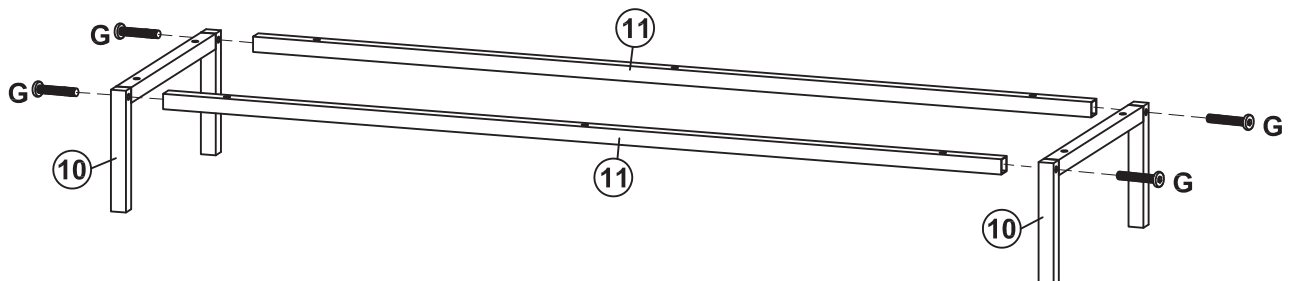
2 Parts List




	①	1pc		②	1pc		③	1pc		④	1pc
	⑤	1pc		⑥	1pc		⑦	1pc		⑧	2pcs
	⑨	1pc		⑩	2pcs		⑪	2pcs			

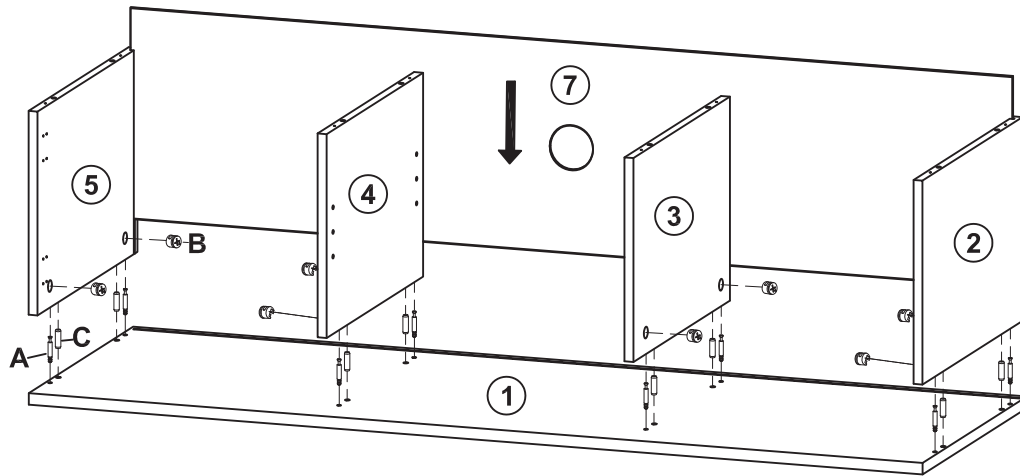
3




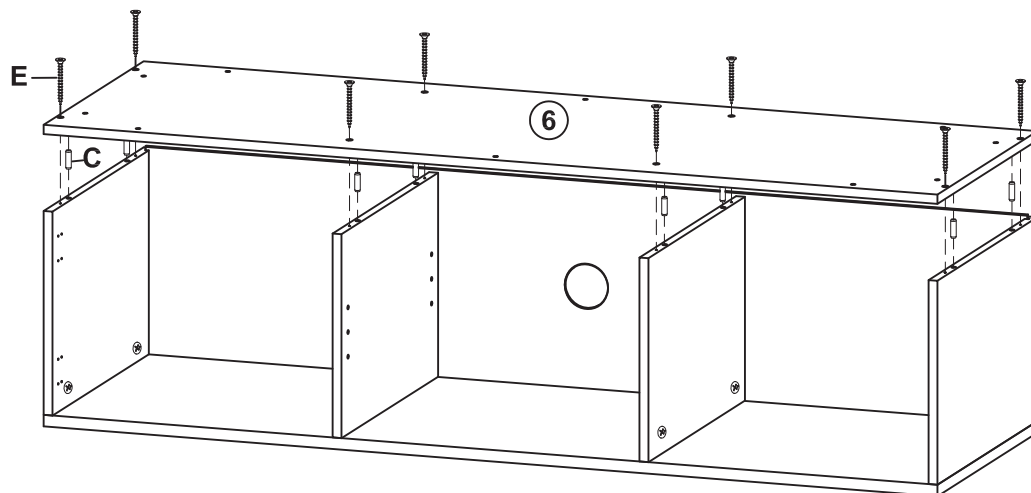
STEP 1 **G** -  x 4 **N** -  x 1





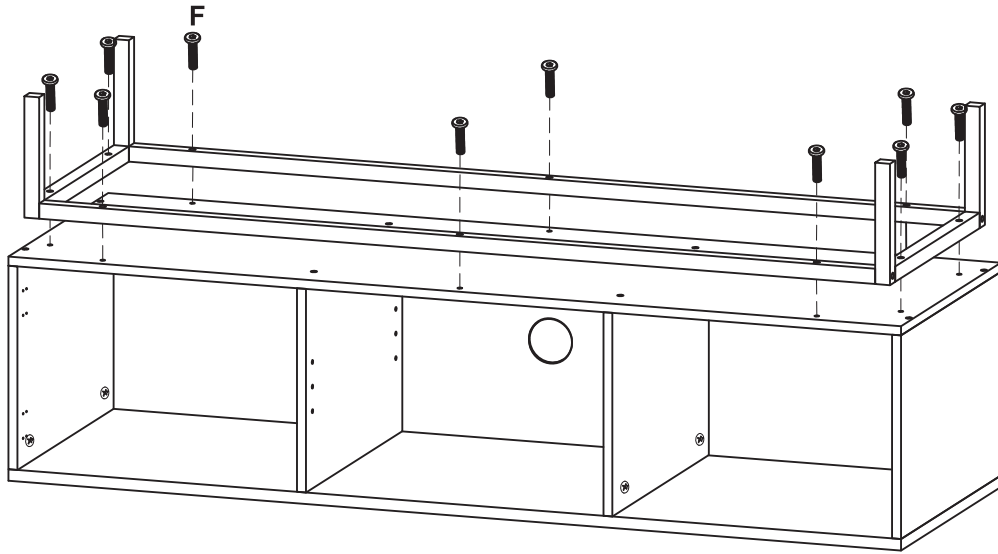
STEP 2 A -  x 8 B -  x 8 C -  x 8





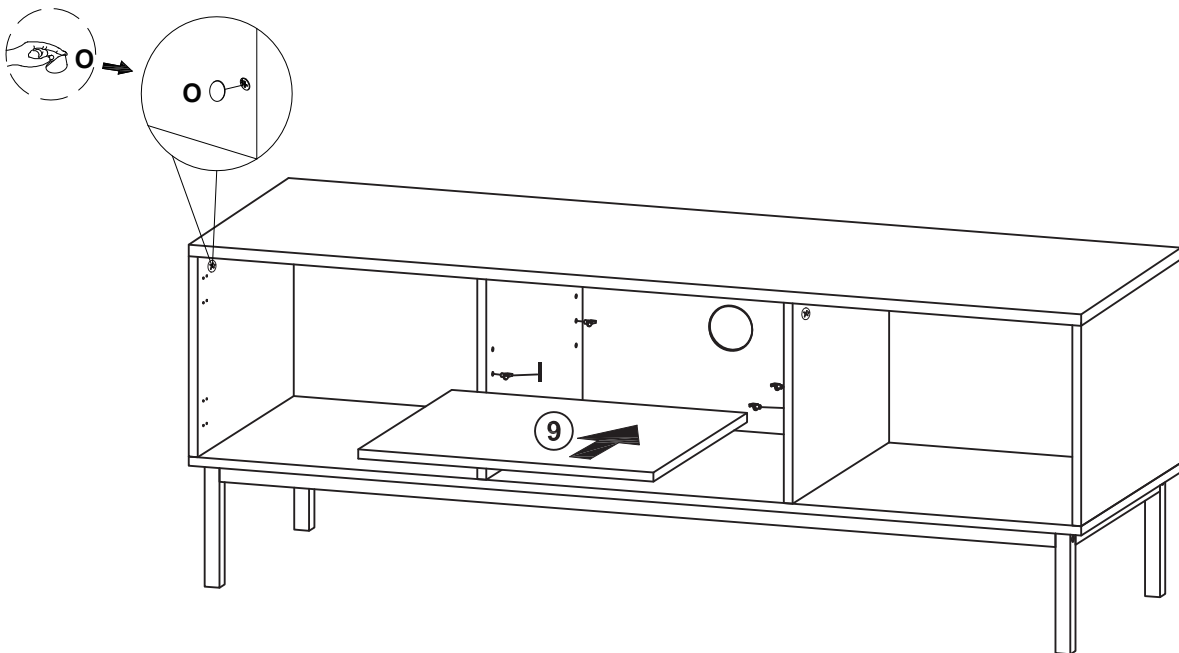
STEP 3 C -  x 8 E -  x 8








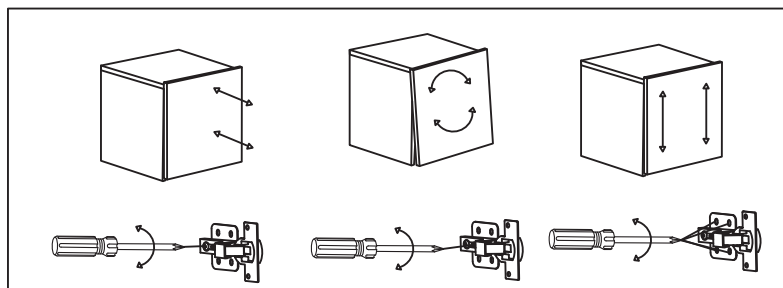
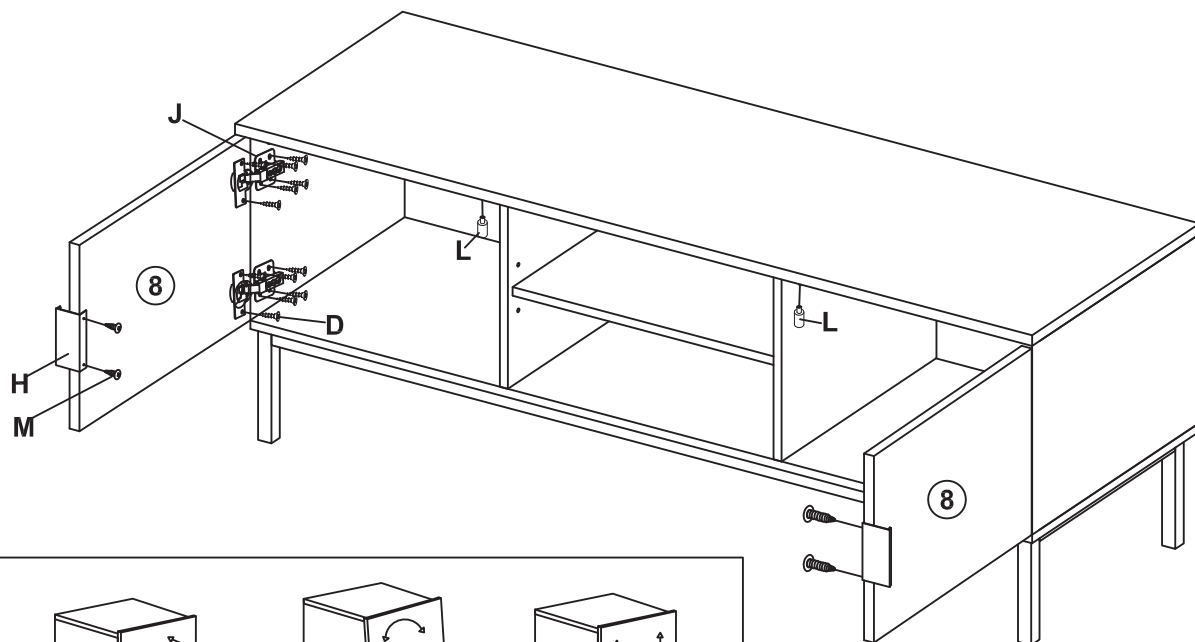
STEP 4 F -  x 10 N -  x 1



STEP 5 I -  x 4 O -  x 8



STEP 6 **D -  x 24** **H -  x 2** **J -  x 4** **L -  x 2** **M -  x 4**



STEP 7 **D -  x 4** **K -  x 4**

