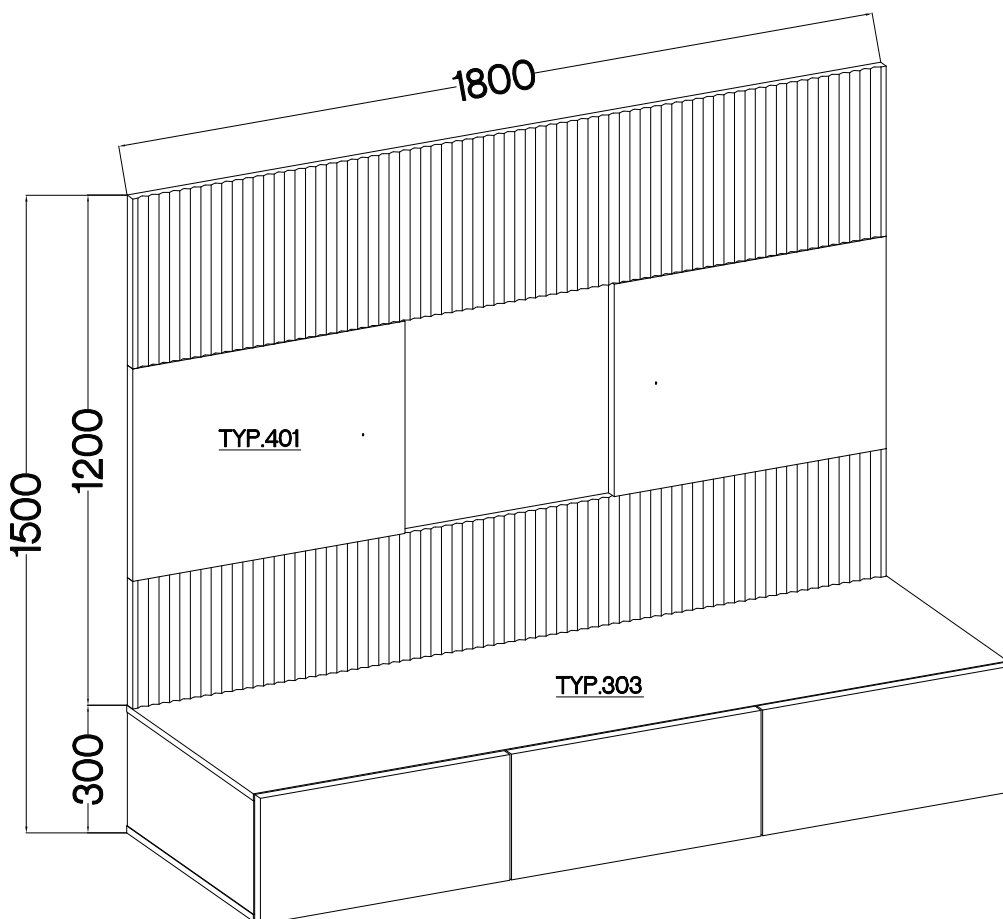
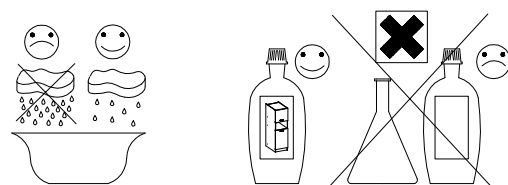


90 min

DEROMI



TYP.401

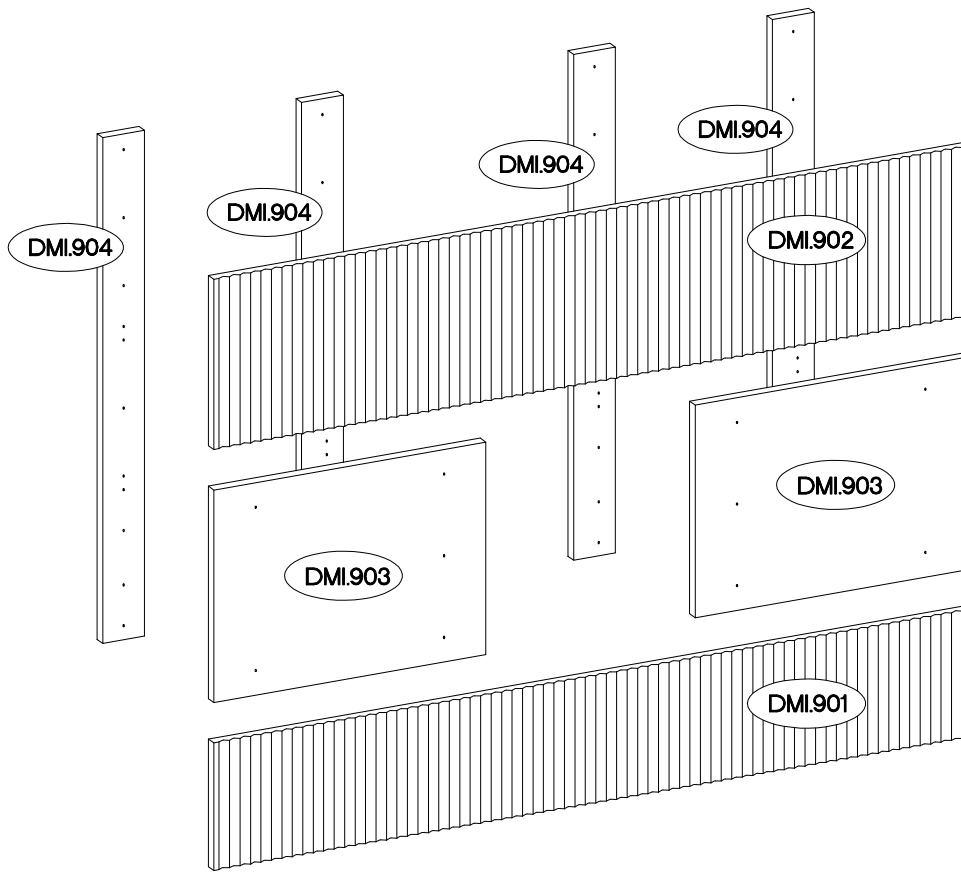
†8x20mm	†14		†6,3x9mm	†10x50mm	6,5/53mm	†4.0x30mm	†5.0x60mm
A4	E13	K7	M4	O7	O14	P8	P12
8	2	4	8	6	4	34	2

TYP.303

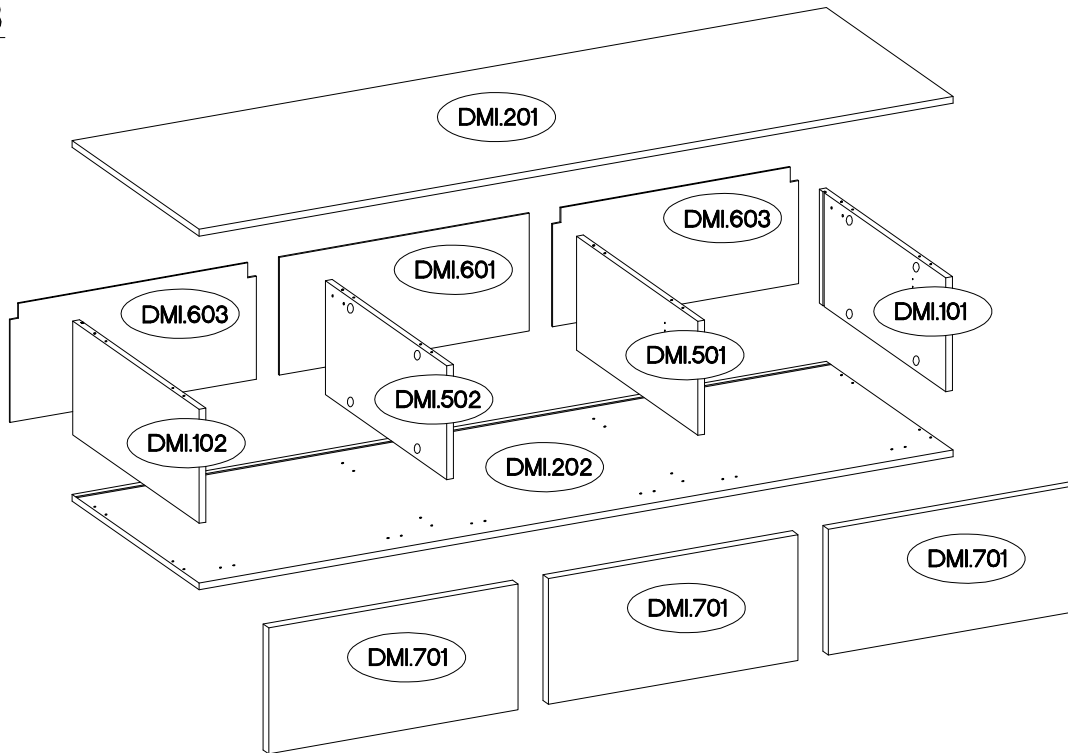
†8x30mm	†15/12mm	L=20mm		†35/0mm	L	R	L=270mm 80 N		BARKOWY
A	C	D2	E	HG	K25	K26	K33	K33	K33
16	16	16	16	6	2	2	3	3	3
				6,5/68mm	†10x50mm	†3.5x13mm	†3.0x20mm	†4.0x30mm	
L	L2	L33	L33	O4	O7	P5	P7	P8	L33
14	4	3	3	4	4	18	4	8	3

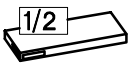
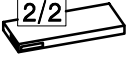
ISM-DMI-001

TYP.401

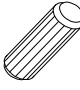


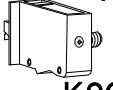



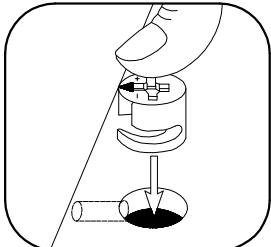
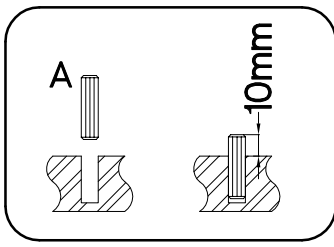
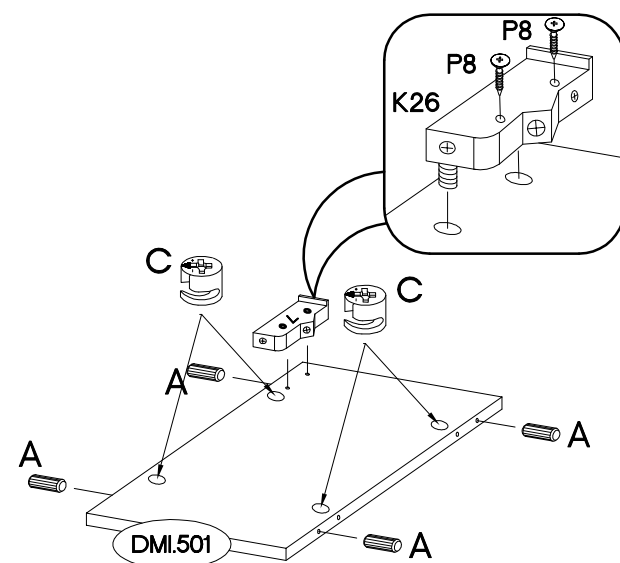
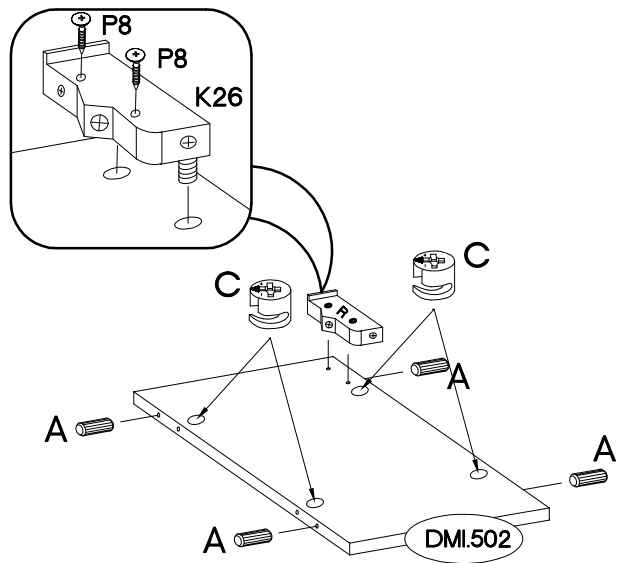
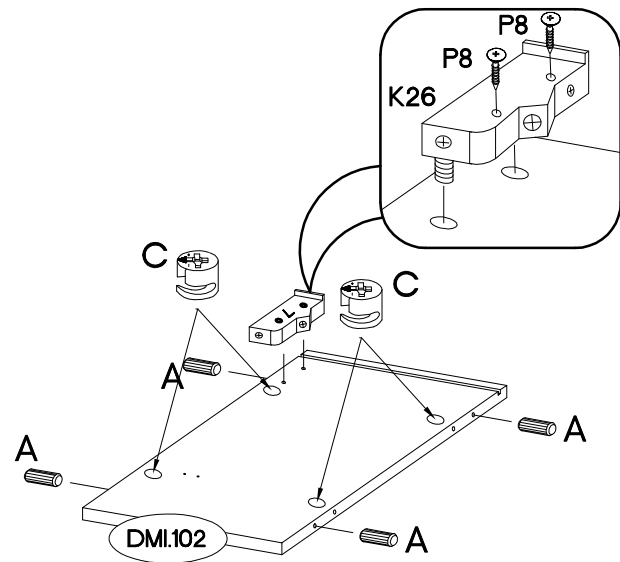
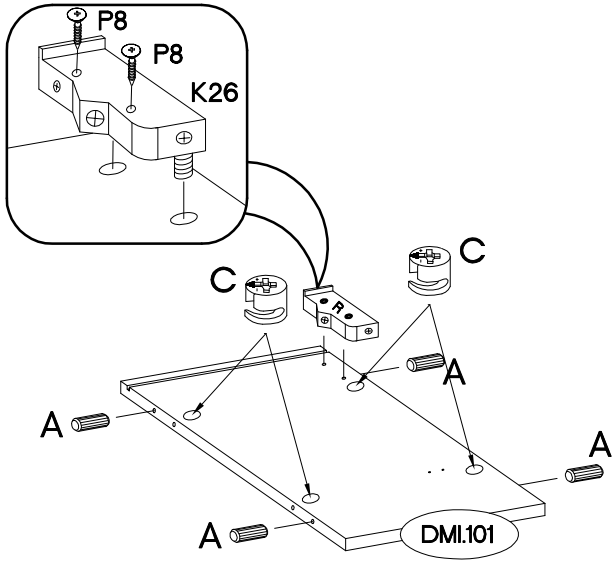
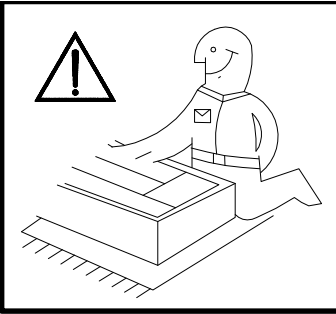
TYP.303




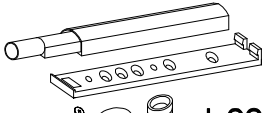

	Ersatzteil Nummer	Dimension		Ersatzteil Nummer	Dimension
	DMI.501	268x349x16		DMI.101	268x363x16
	DMI.502	268x349x16		DMI.102	268x363x16
	DMI.601	597x277x2,5		DMI.201	1802x364x16
	DMI.603 x2	588x277x2,5		DMI.202	1802x364x16
	DMI.701 x3	296x596x16		DMI.901	300x1800x16
	DMI.903 x2	500x650x16		DMI.902	400x1800x16
					DMI.904 x4

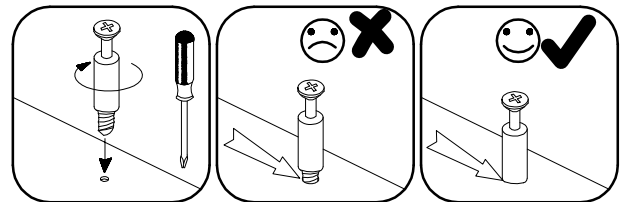
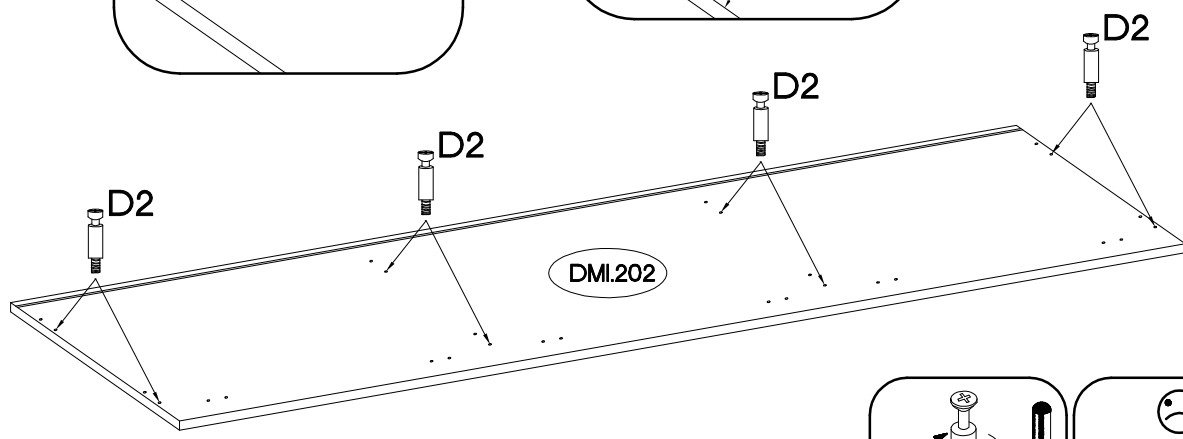
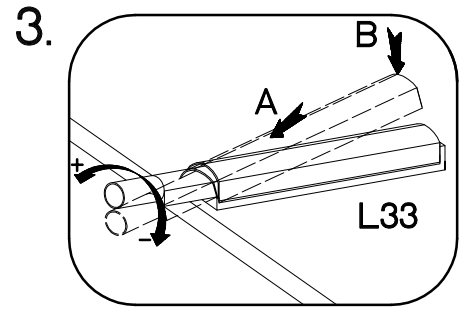
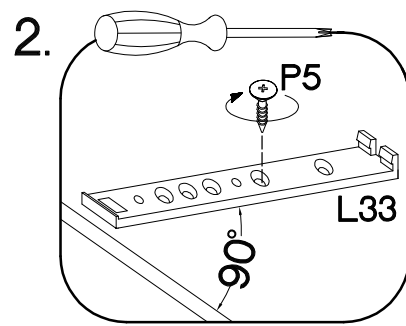
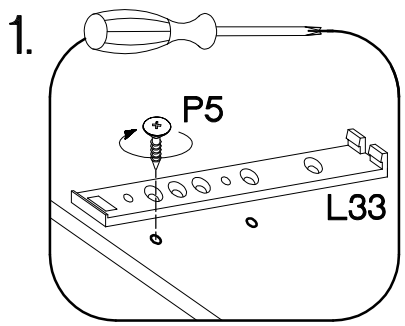
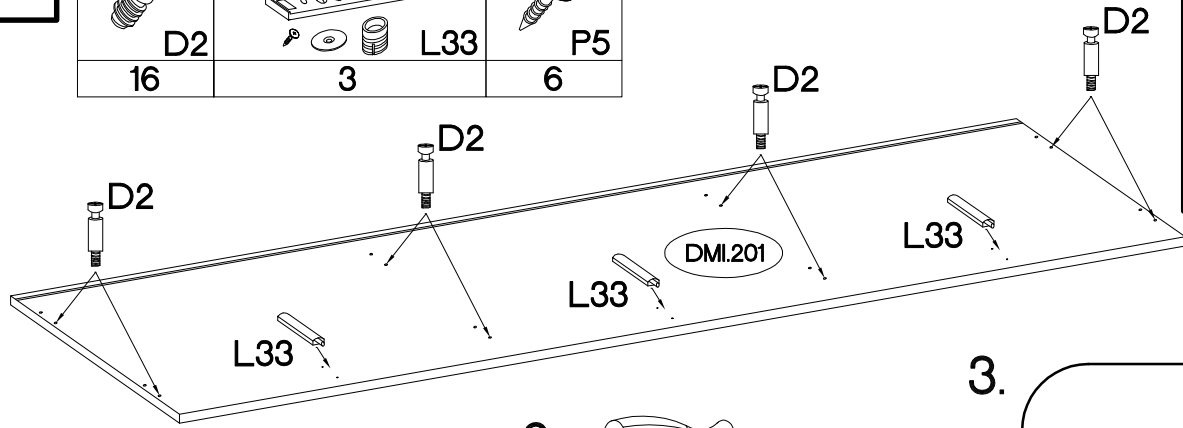
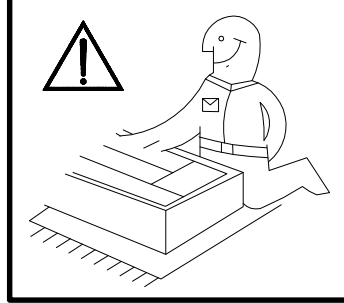


$\pm 8 \times 30 \text{mm}$  A 16	$\pm 15/12 \text{mm}$  C 16	L  K25 2	R  K26 2	$\pm 4.0 \times 30 \text{mm}$  P8 8
--	--	---	---	--

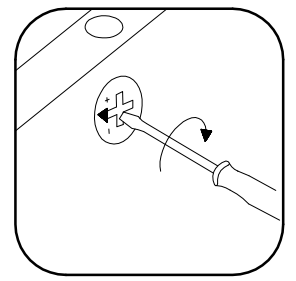
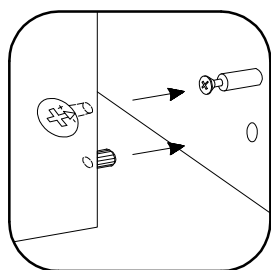
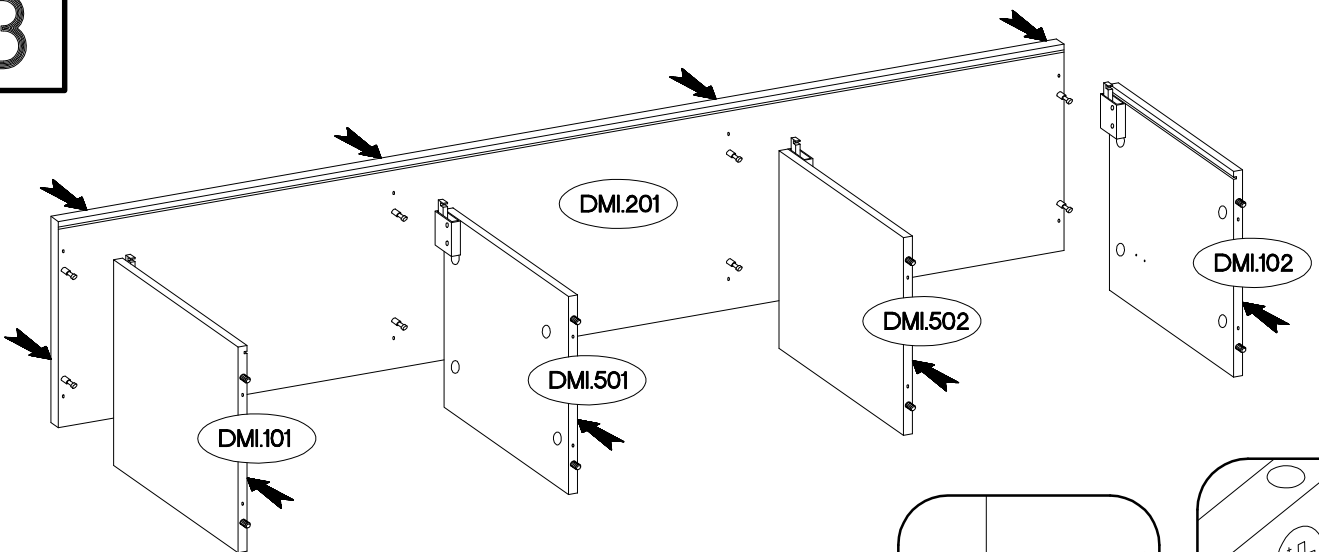


2

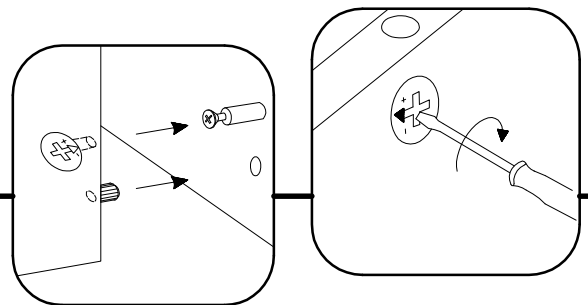
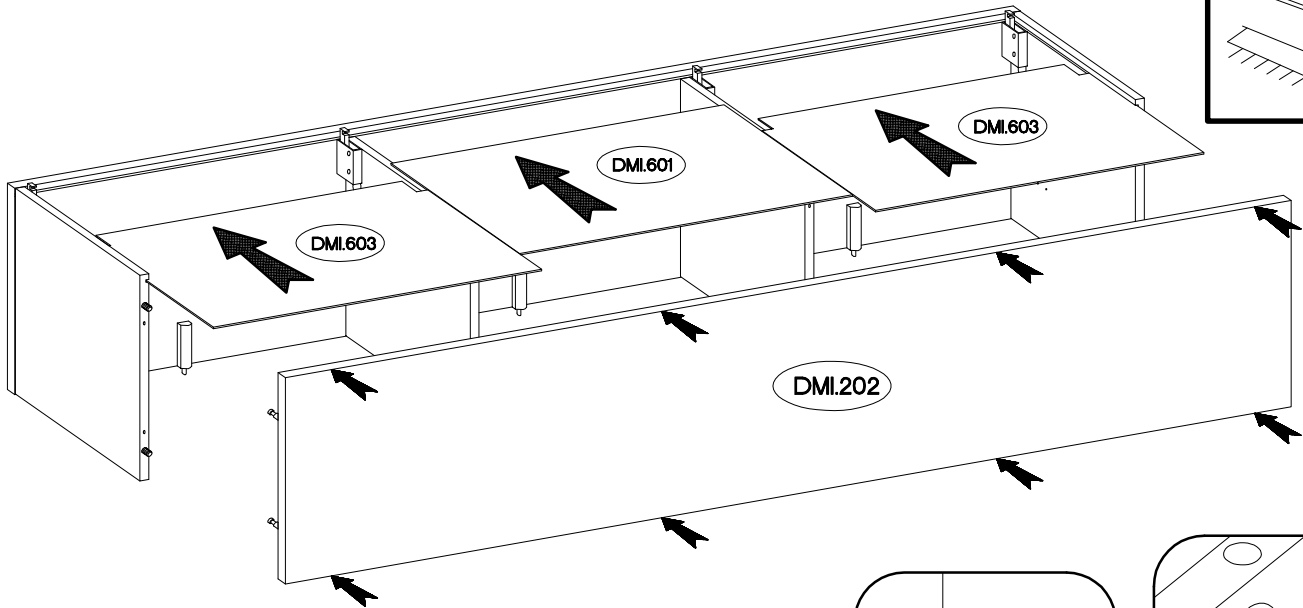
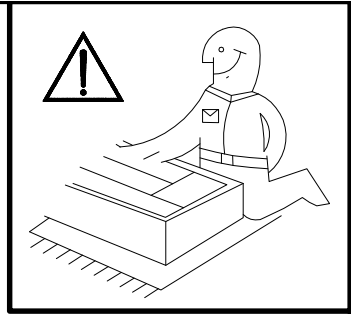
L=20mm  D2 16	 L33 3	±3.5x13mm  P5 6
--	--	--



3

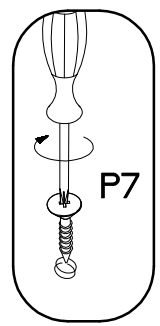
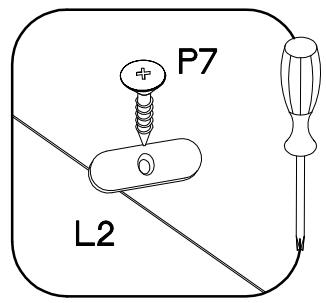
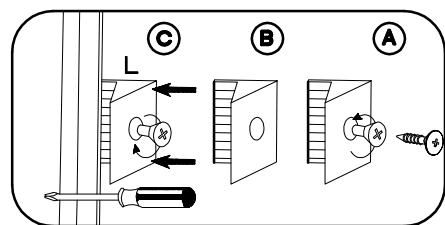
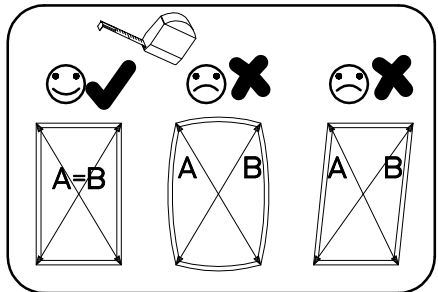
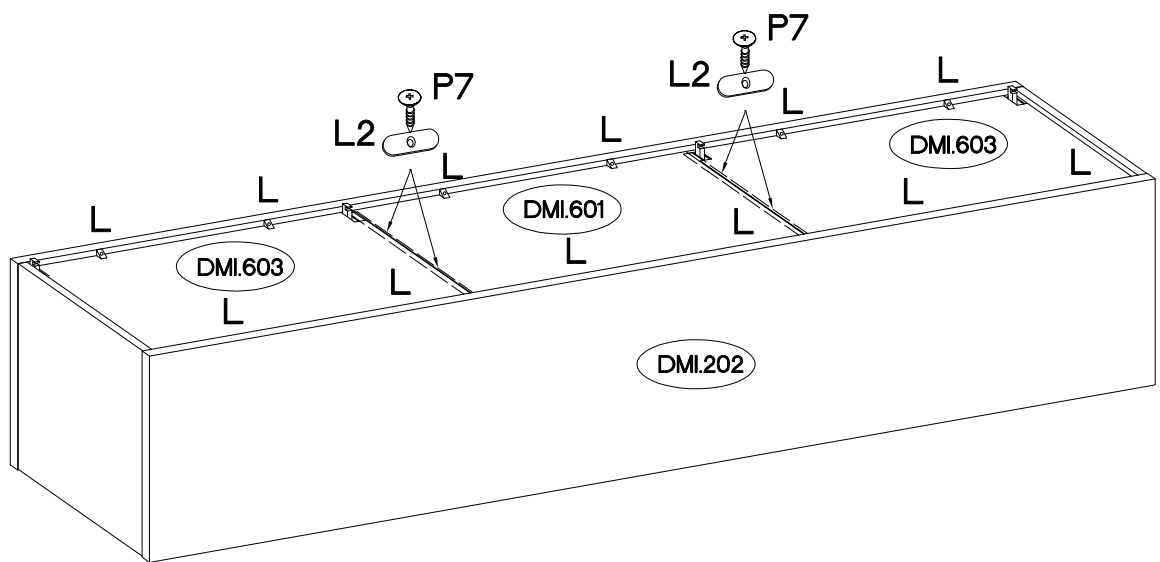


4





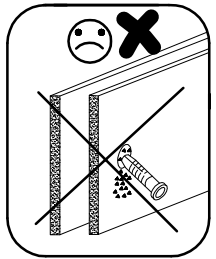
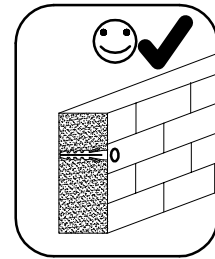
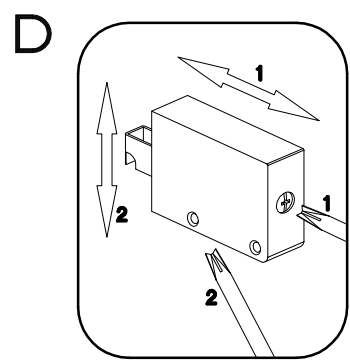
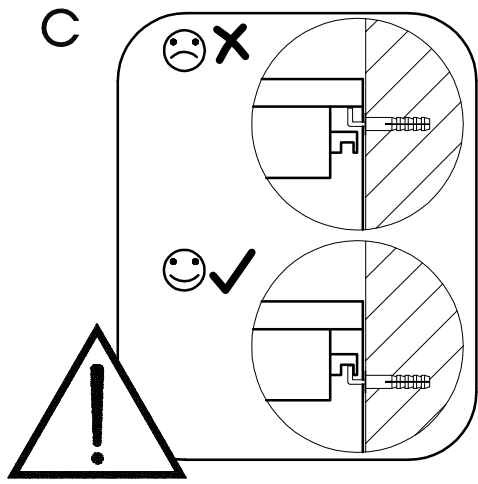
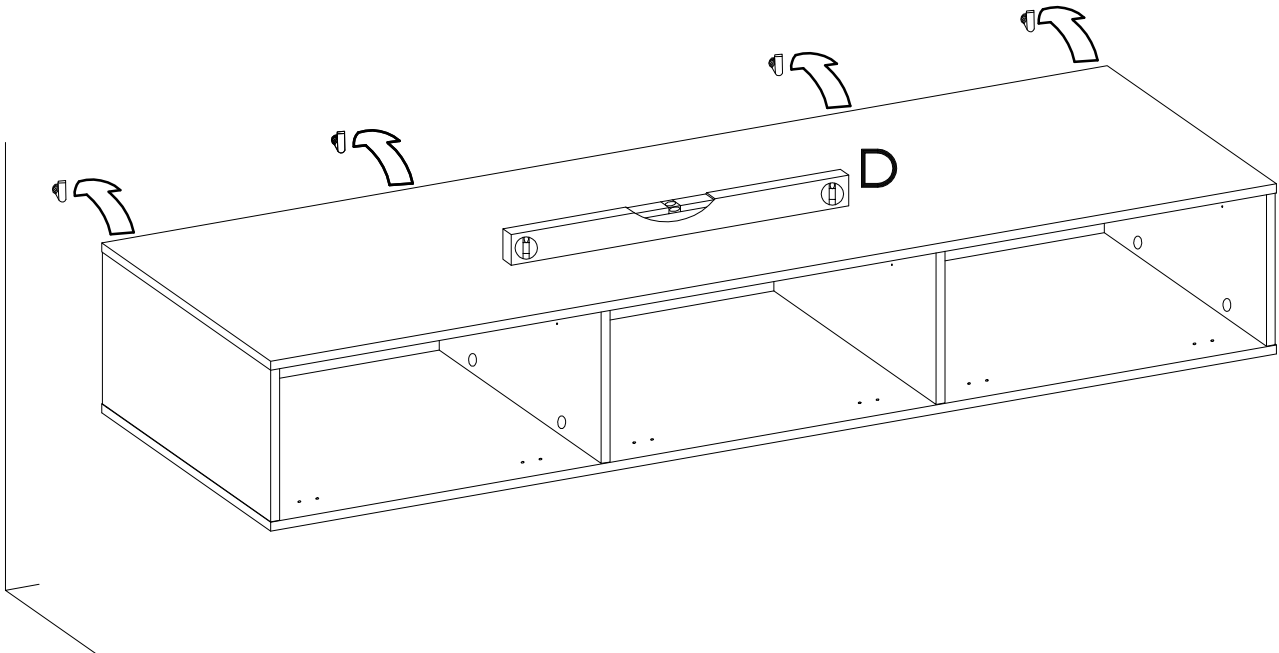
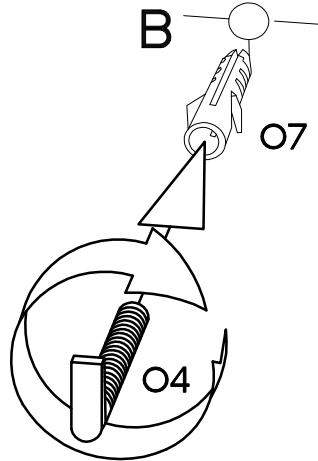
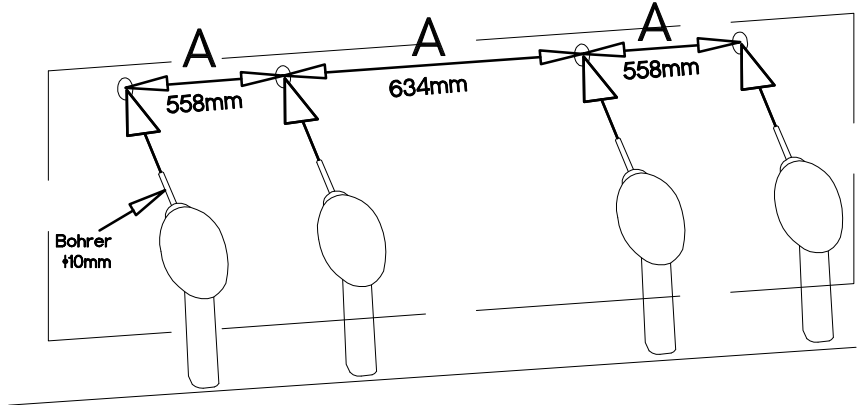
5

 P7 4	 L2 4	 L 14
-------------	-------------	-------------



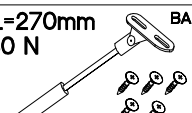
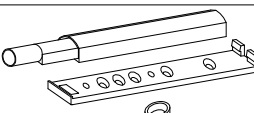


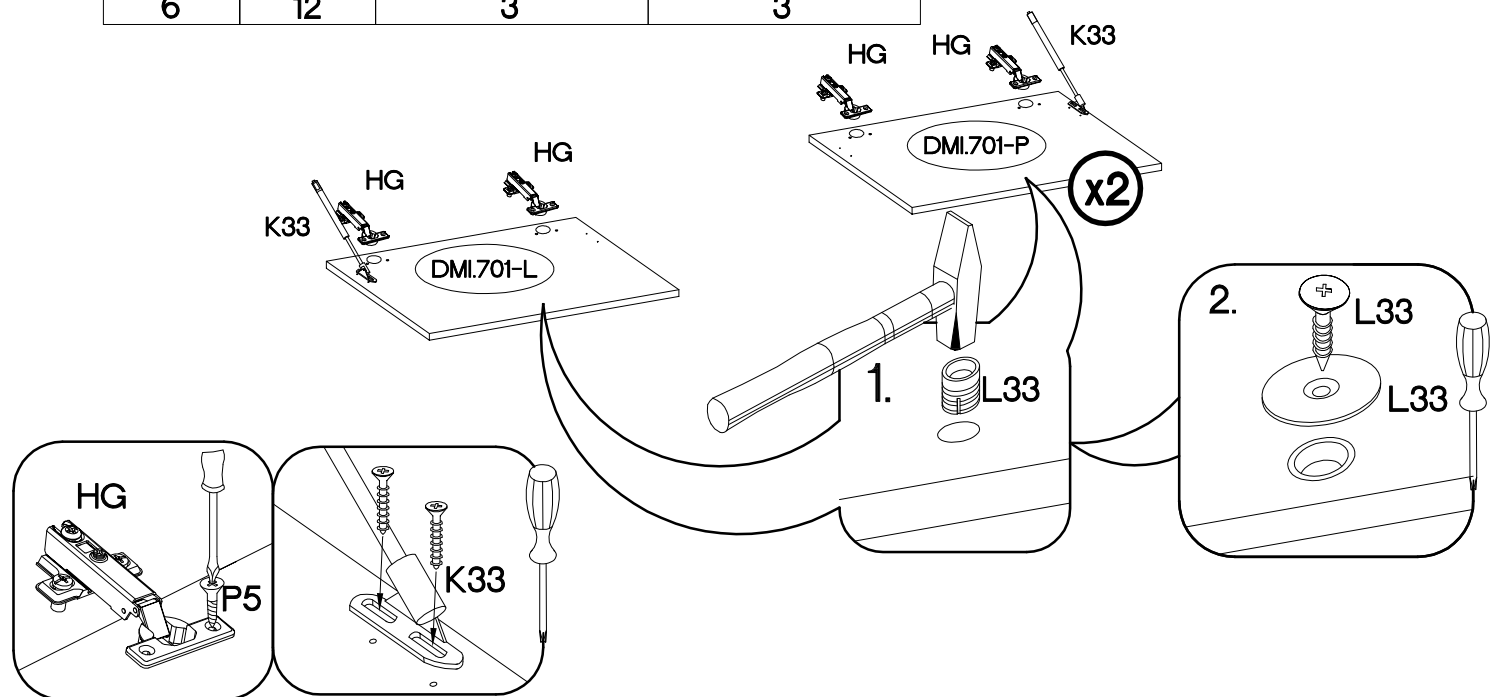
6

 #10x50mm	 6,5/68mm
O7	O4
4	4




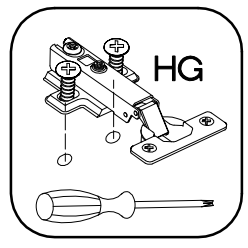
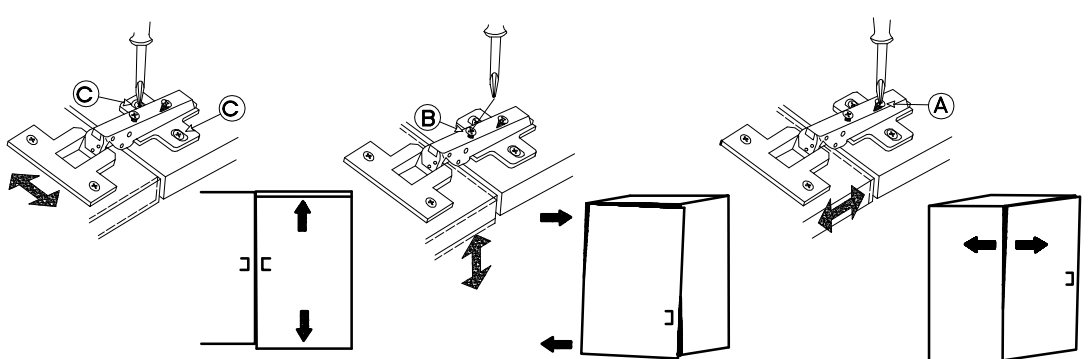
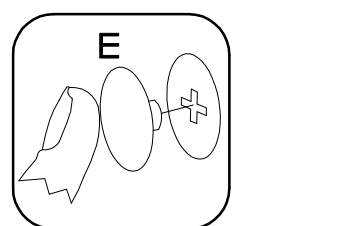
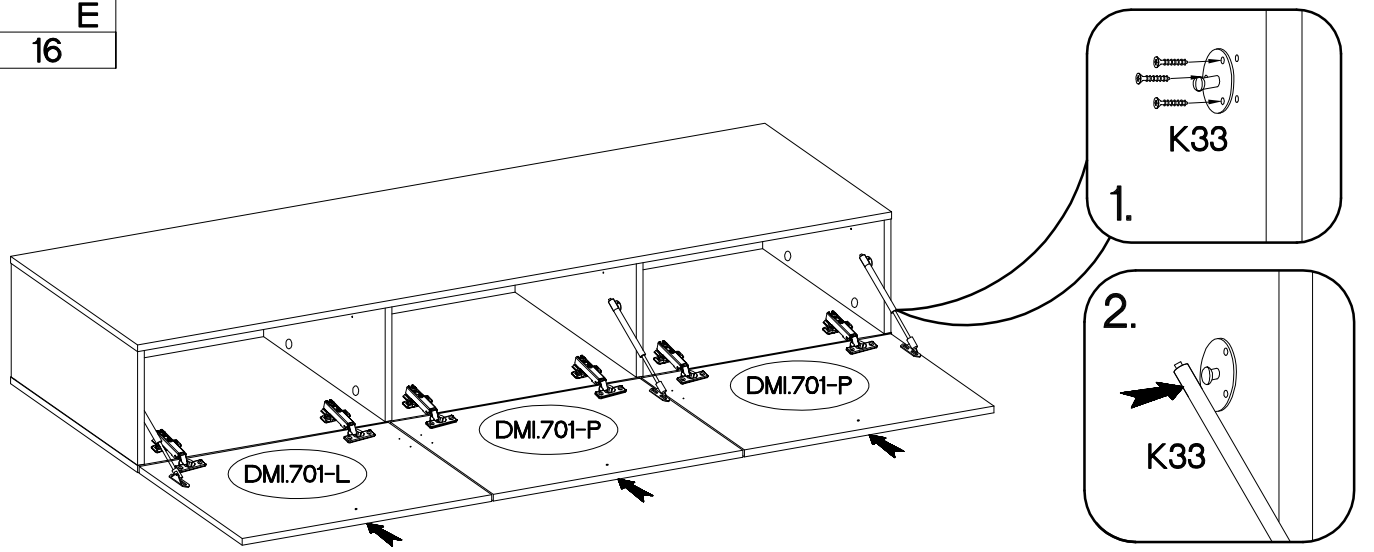
7

 HG 6	 P5 12	 L=270mm 80 N BARKOWY K33 3	 L33 3
---	--	--	--






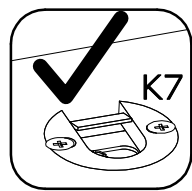
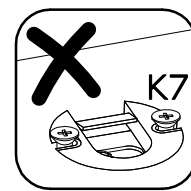
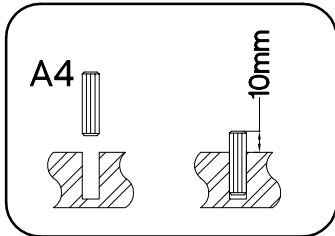
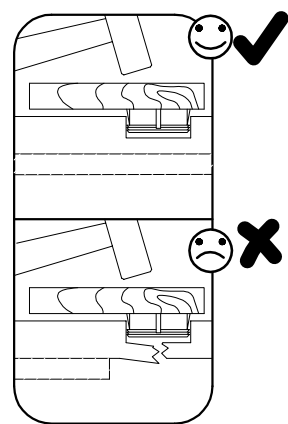
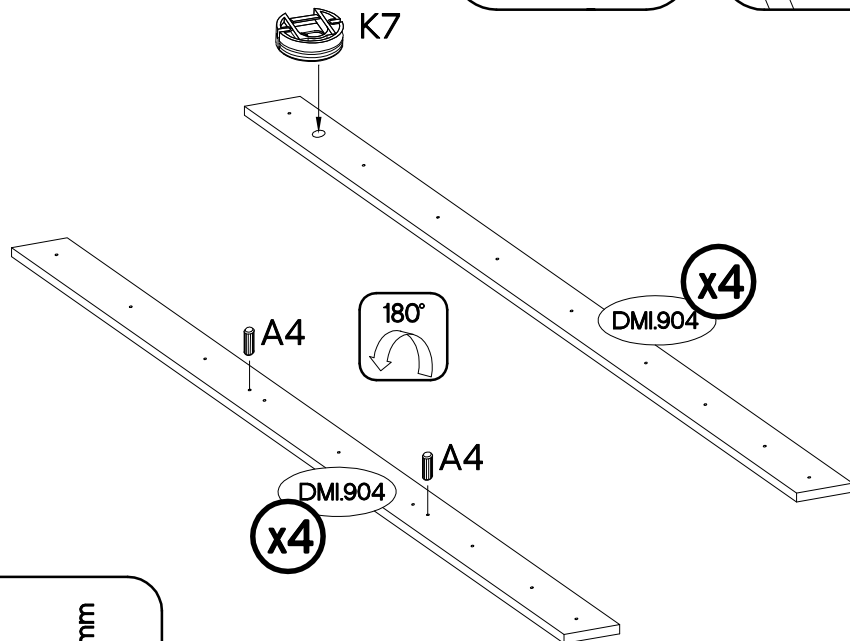
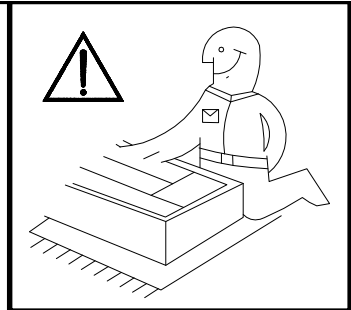
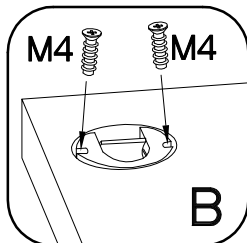
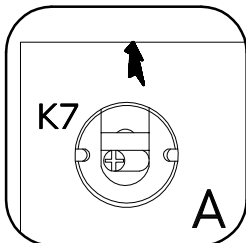
8

 E 16

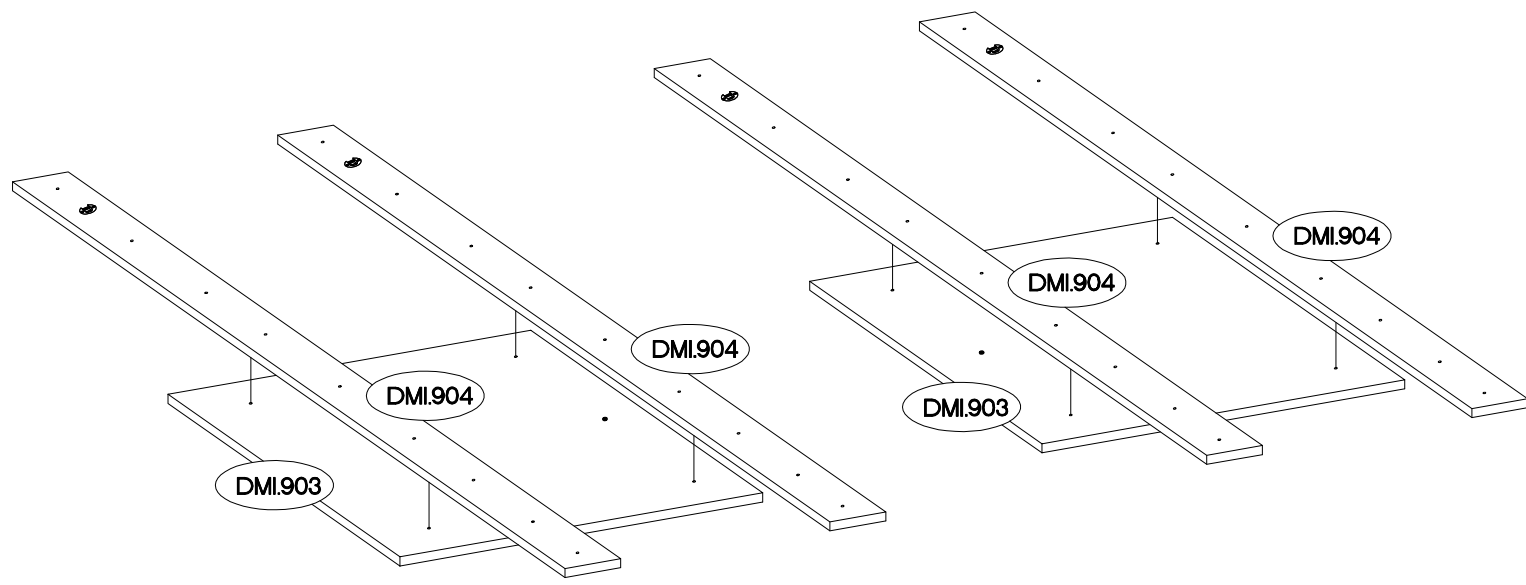
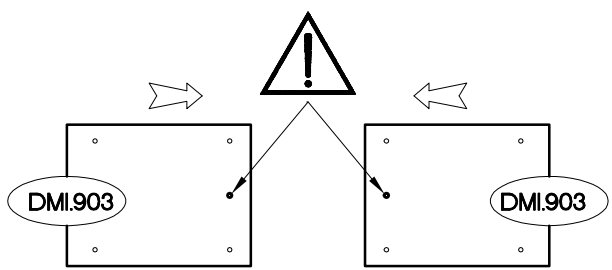


9

	$\pm 6,3 \times 9 \text{mm}$ 	$\pm 8 \times 20 \text{mm}$ 
K7	M4	A4
4	8	8



10



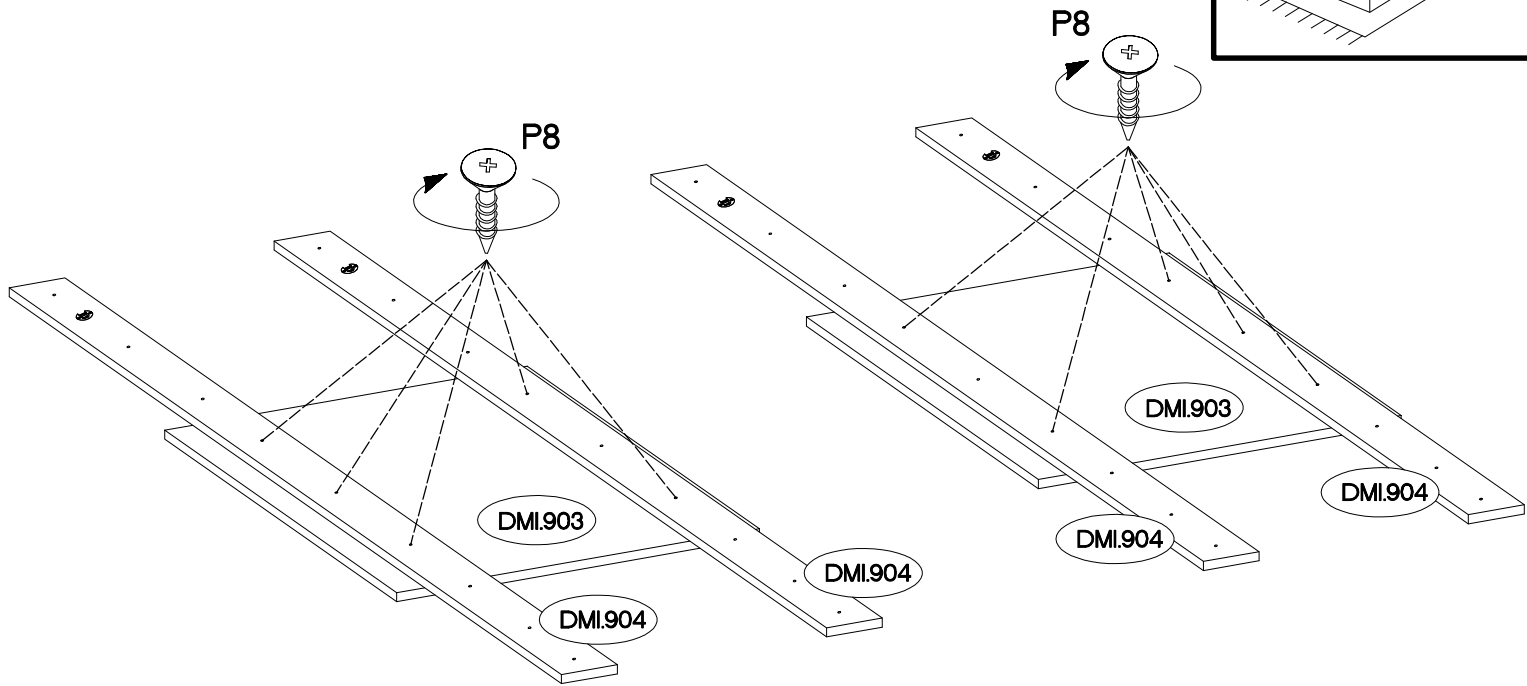
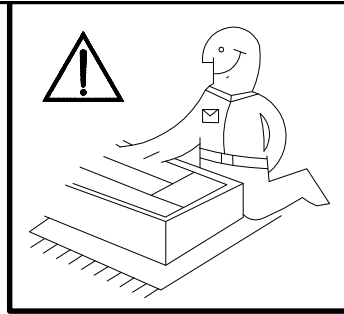
11

4.0x30mm



P8

10



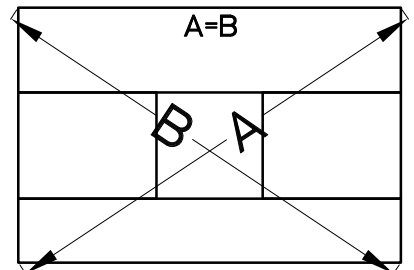
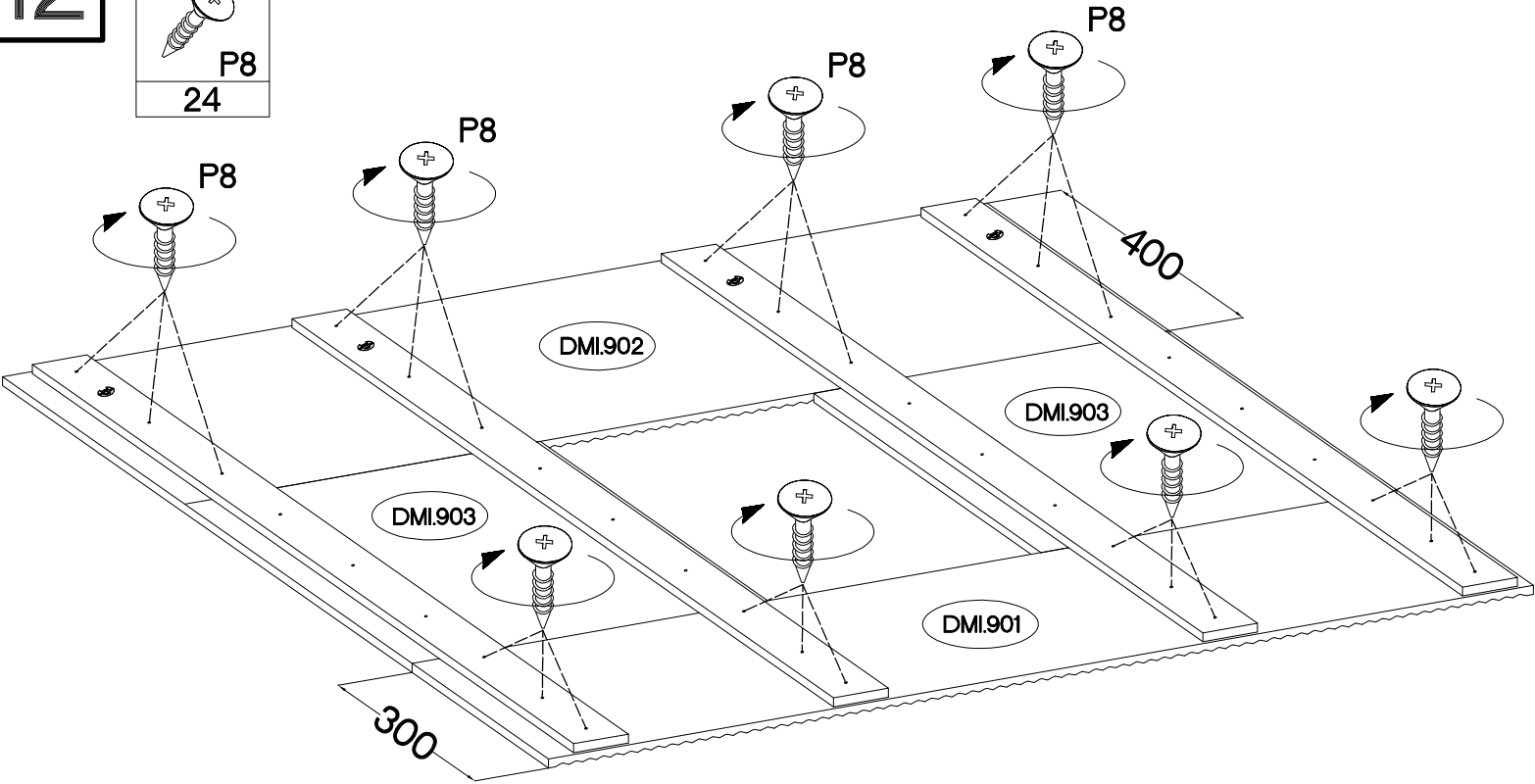
12



4.0x30mm

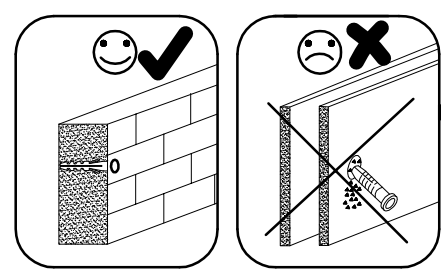
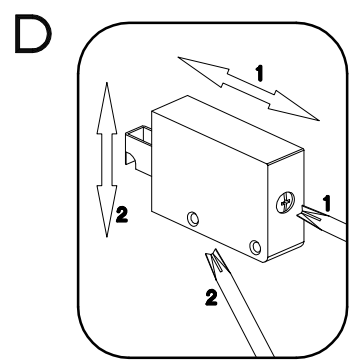
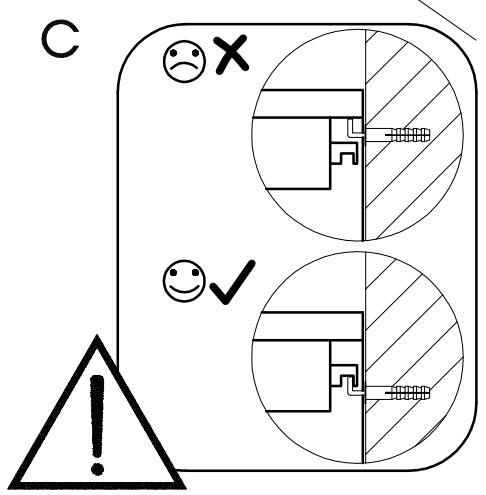
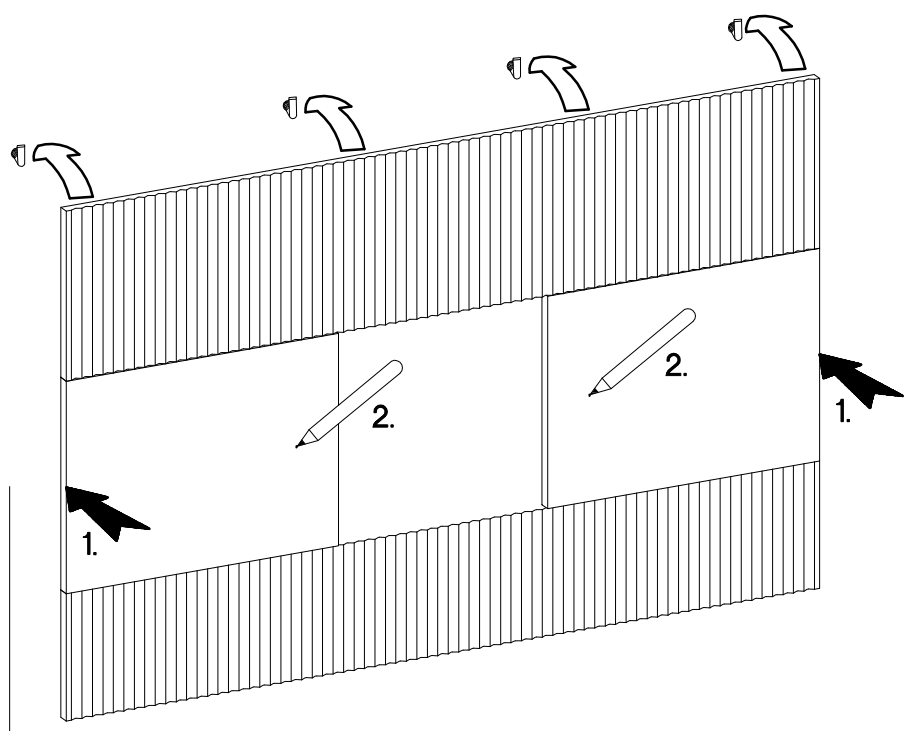
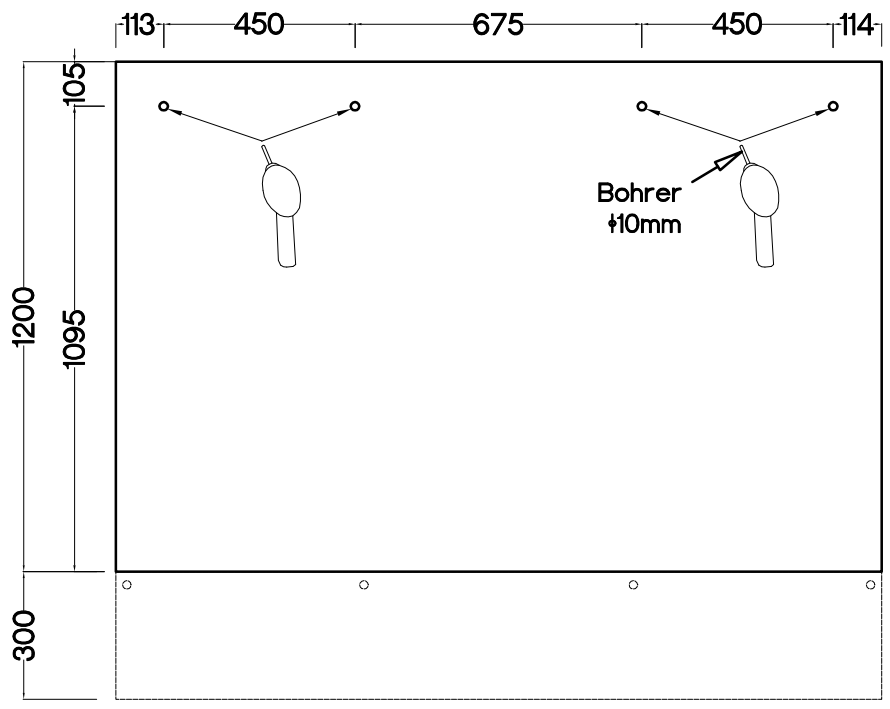


P8

24



 $\varnothing 10 \times 50 \text{mm}$	 6,5/53mm
O7	O14
4	4

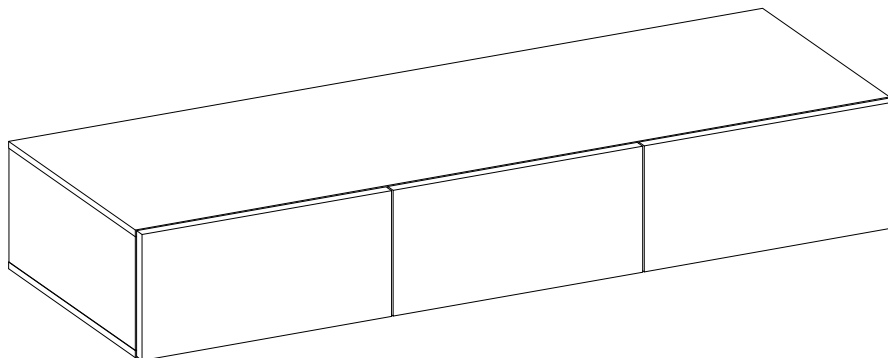
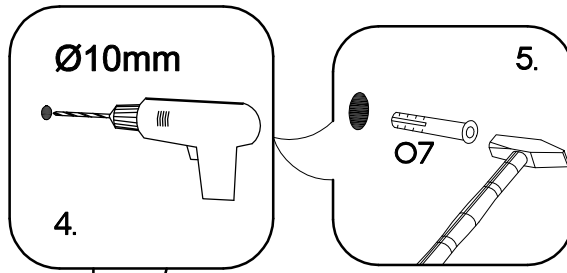
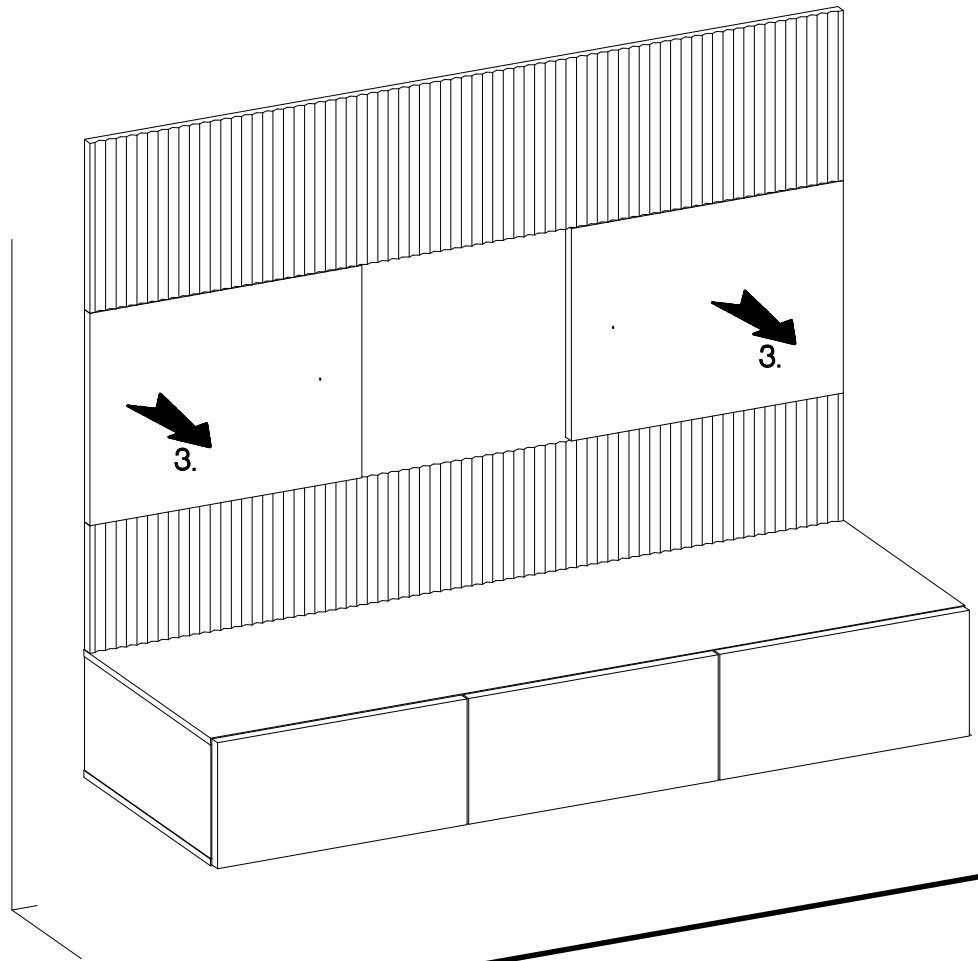



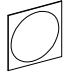
†10x50mm

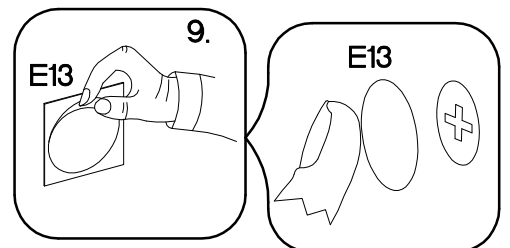
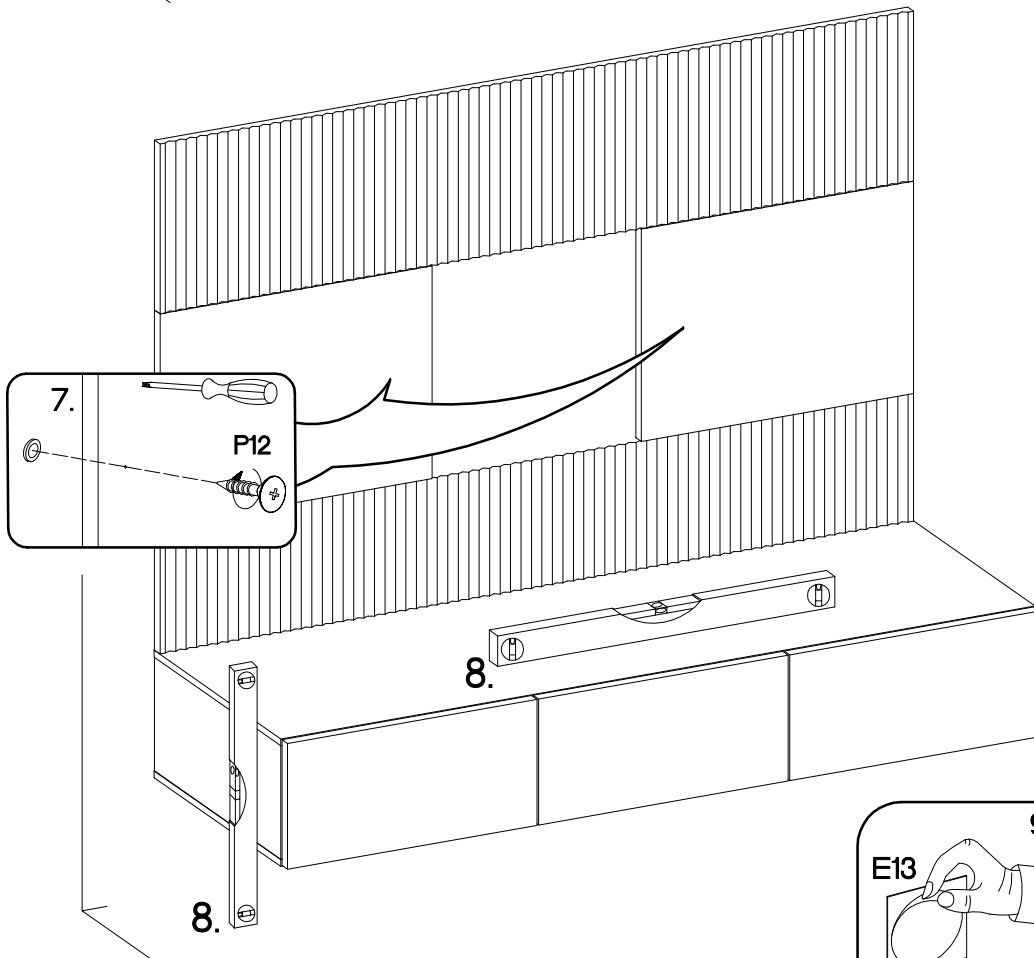
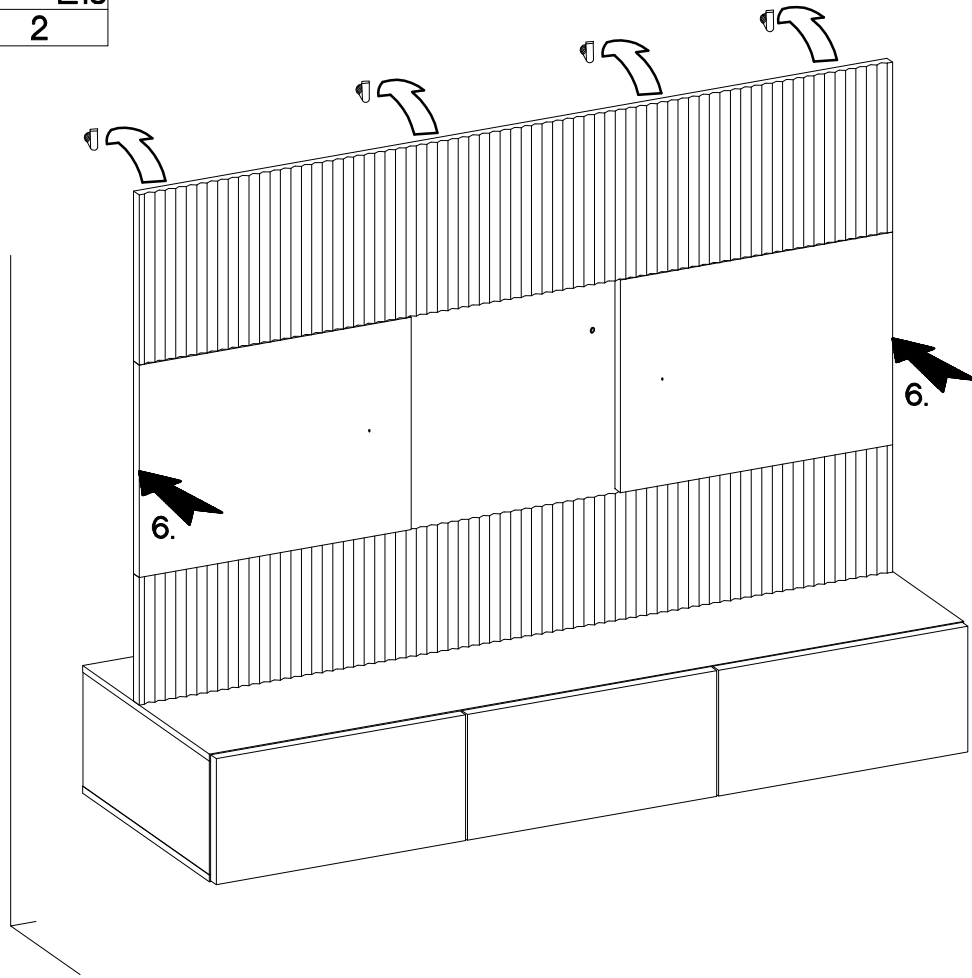


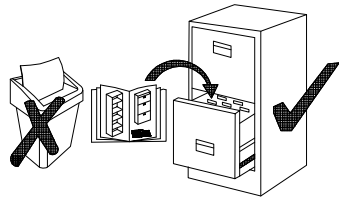
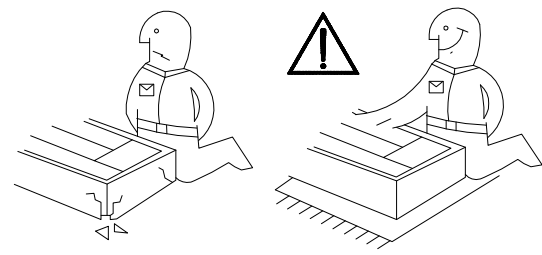
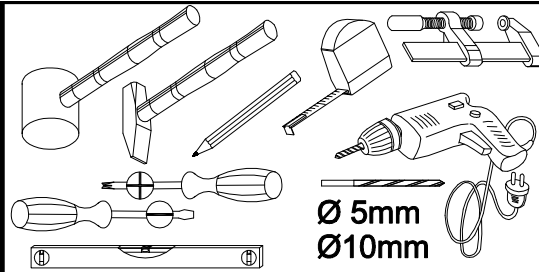
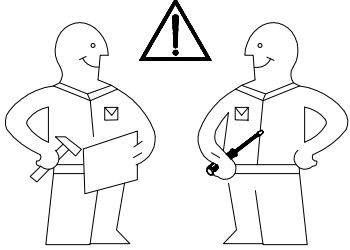
O7

2

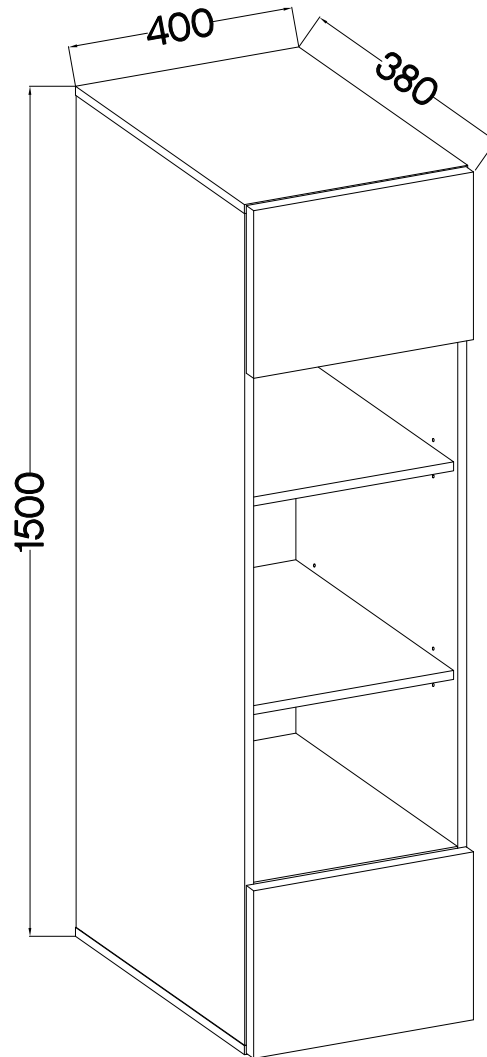
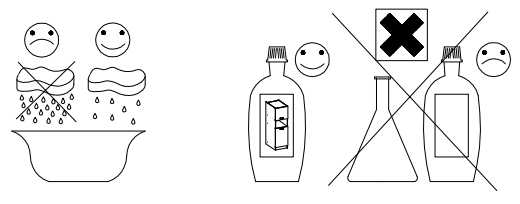


$\varnothing 5.0 \times 60 \text{mm}$  P12 2	$\varnothing 14$  E13 2
---	---





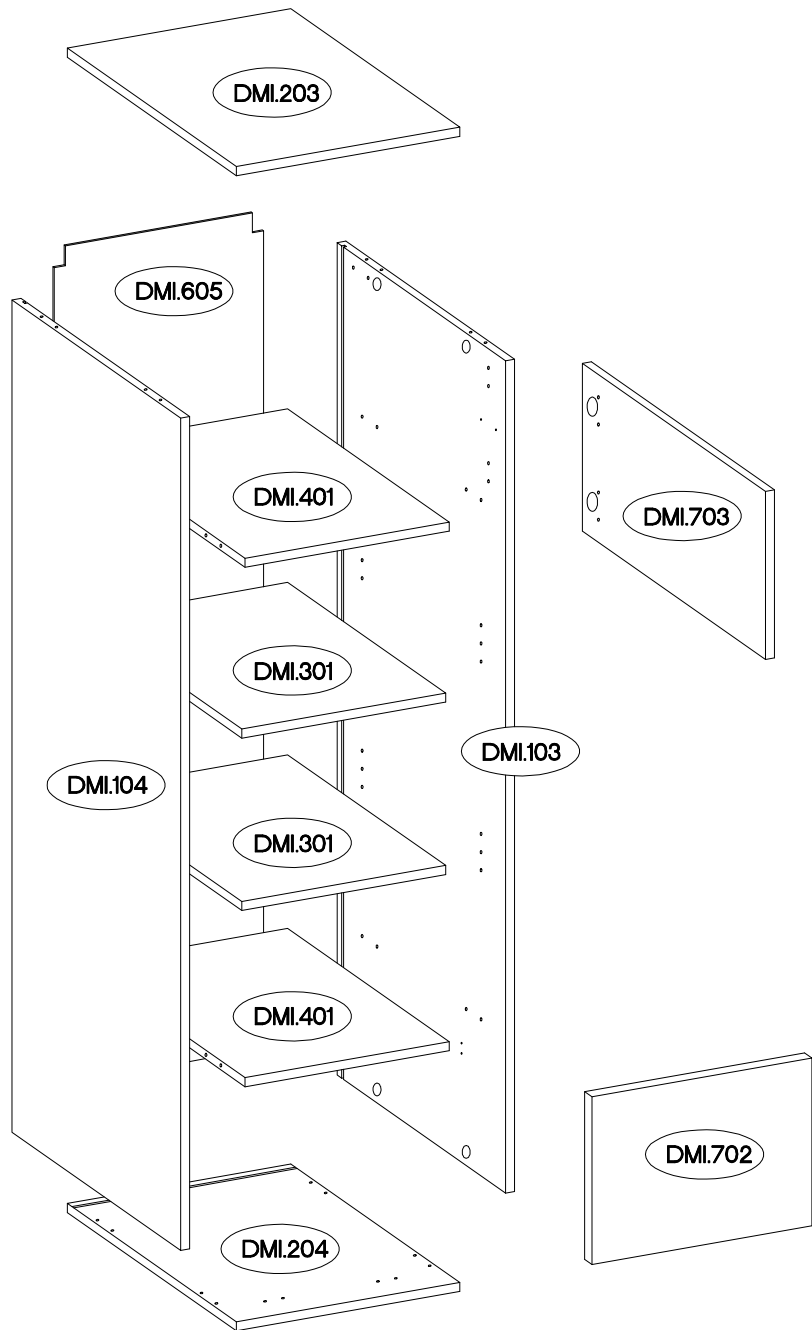
DEROMI




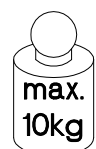
 A 16	 C 16	 D2 16	 E 16	 HG 4	 J3 8	 K25 1							
 R 1	 L=270mm 80 N BARKOWY K33 1	 L 10	 L33 2	 O4 2	 O7 2	 P5 12	 P7 6	 P8 4					

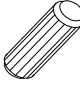


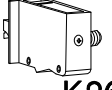

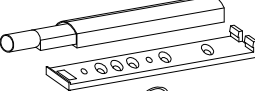

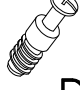
ISM-DMI-002

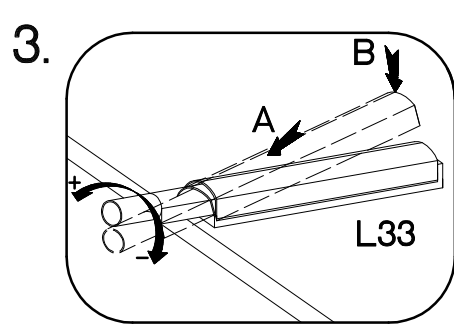
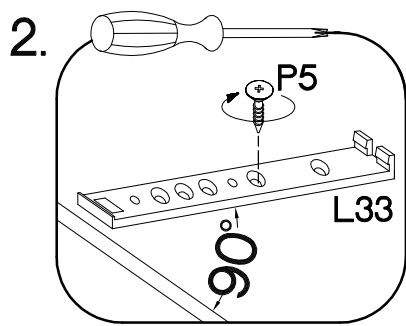
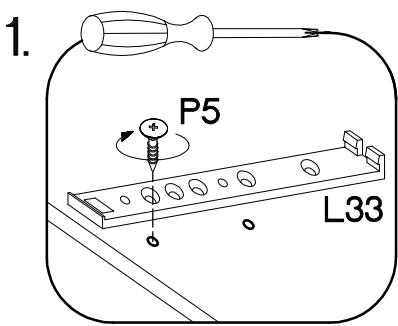
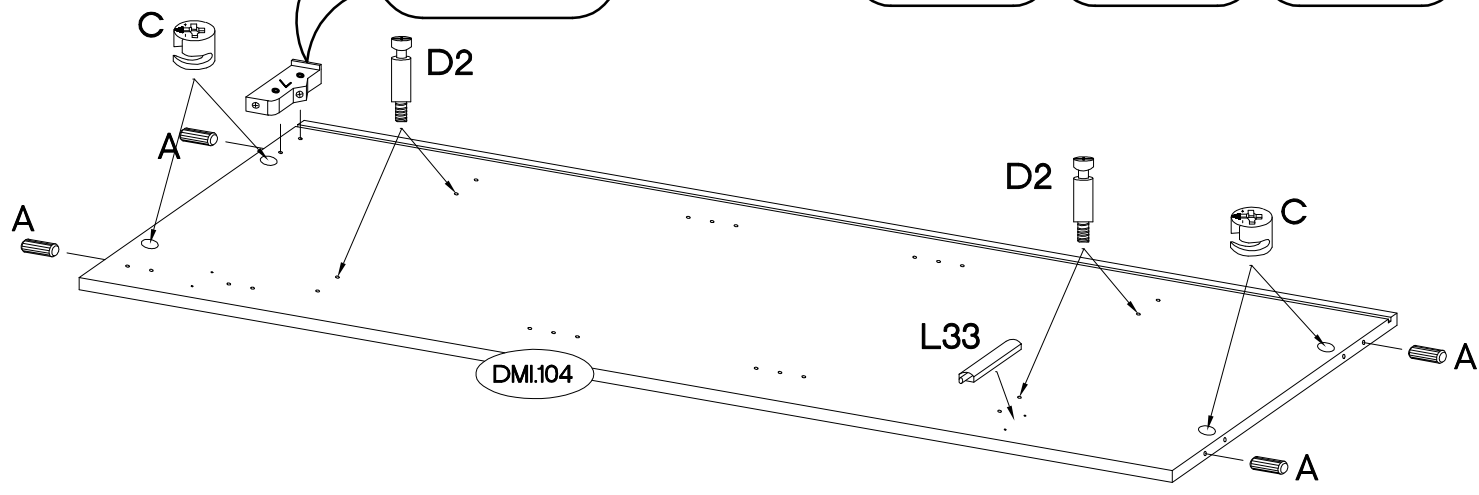
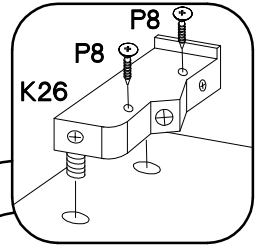
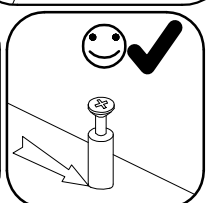
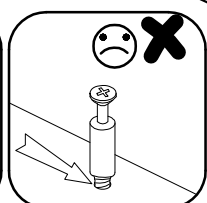
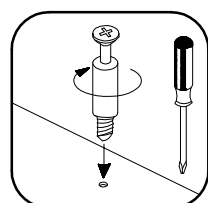
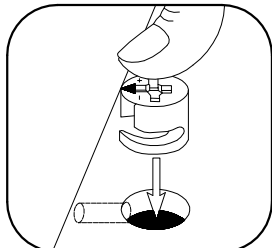
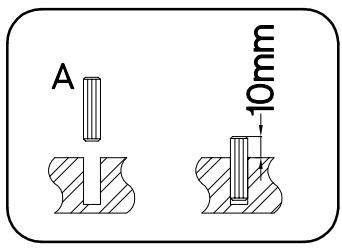
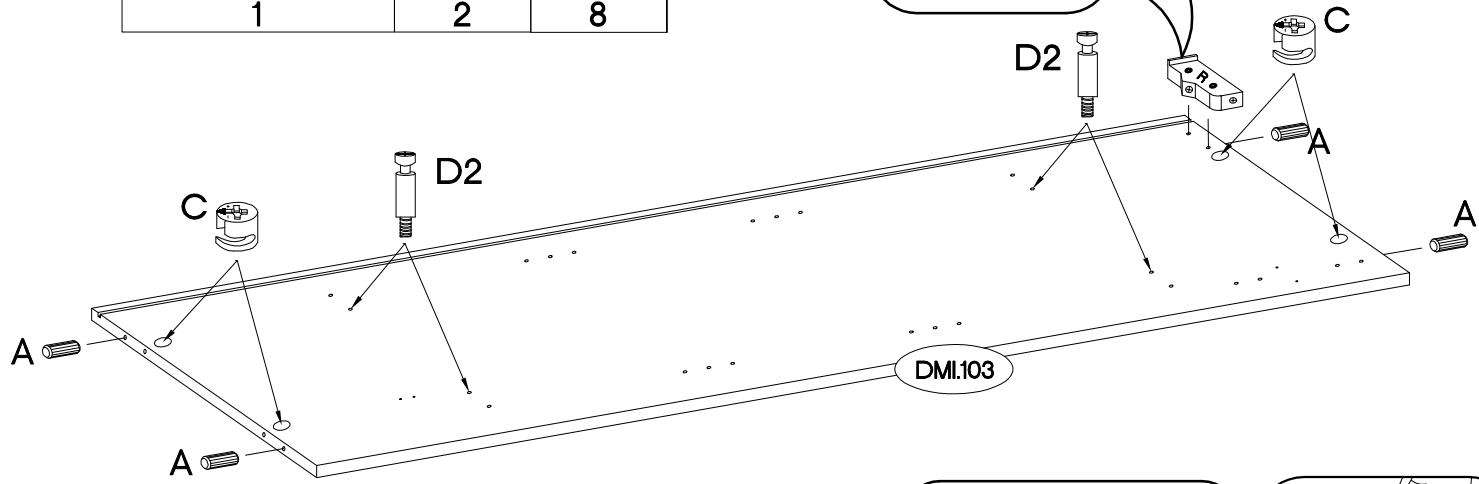
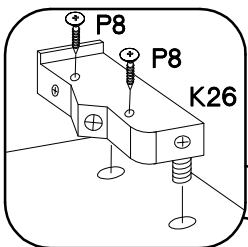
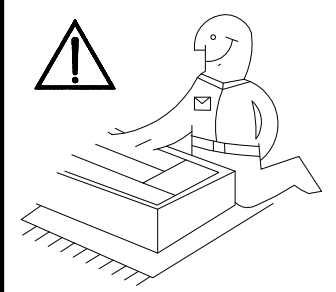
TYP.501



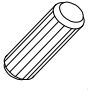


	Ersatzteil Nummer	Dimension
	DMI.103	1468x363x16
	DMI.104	1468x363x16
	DMI.203	400x364x16
	DMI.204	400x364x16
	DMI.401 x2	366x348x16
	DMI.301 x2	365x340x16
	DMI.605	1477x375x2,5
	DMI.702	296x394x16
	DMI.703	296x394x16

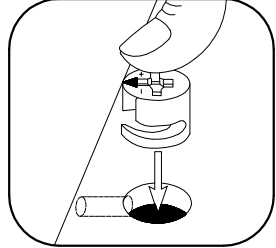
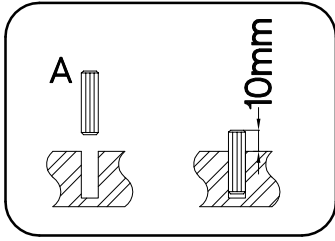
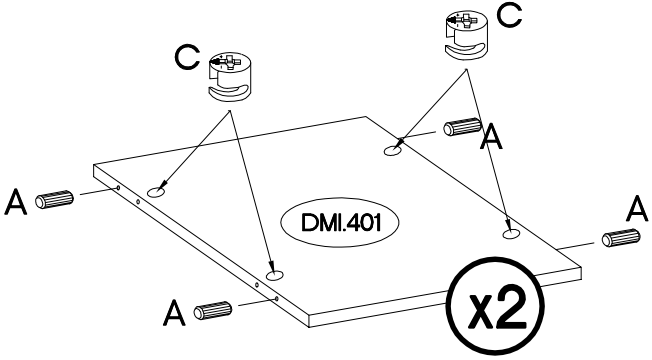
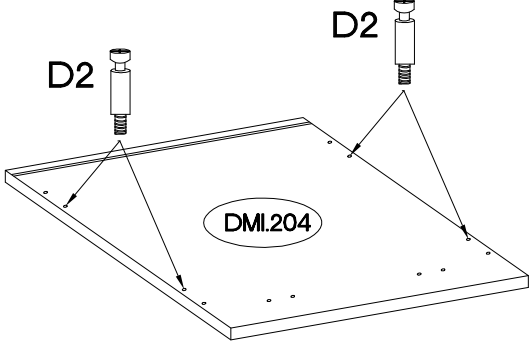
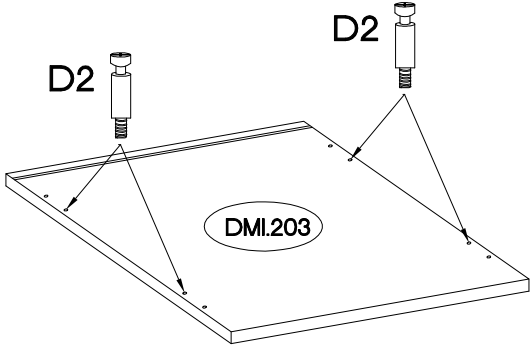
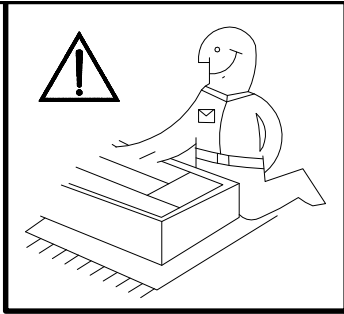
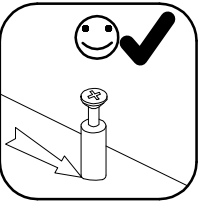
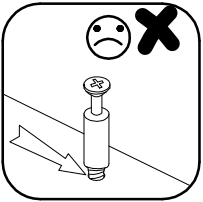
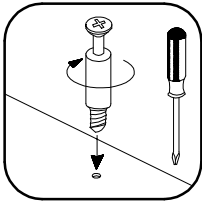


$\pm 8 \times 30 \text{mm}$  A	$\pm 15/12 \text{mm}$  C	L  K25	R  K26	$\pm 4.0 \times 30 \text{mm}$  P8
8	8	1	1	4
 L33		$\pm 3.5 \times 13 \text{mm}$  P5	$L=20 \text{mm}$  D2	
1	2	8		

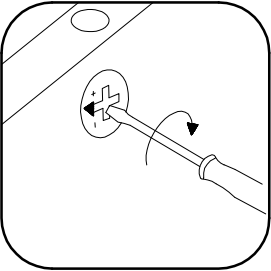
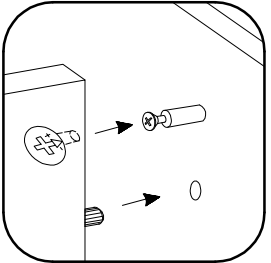
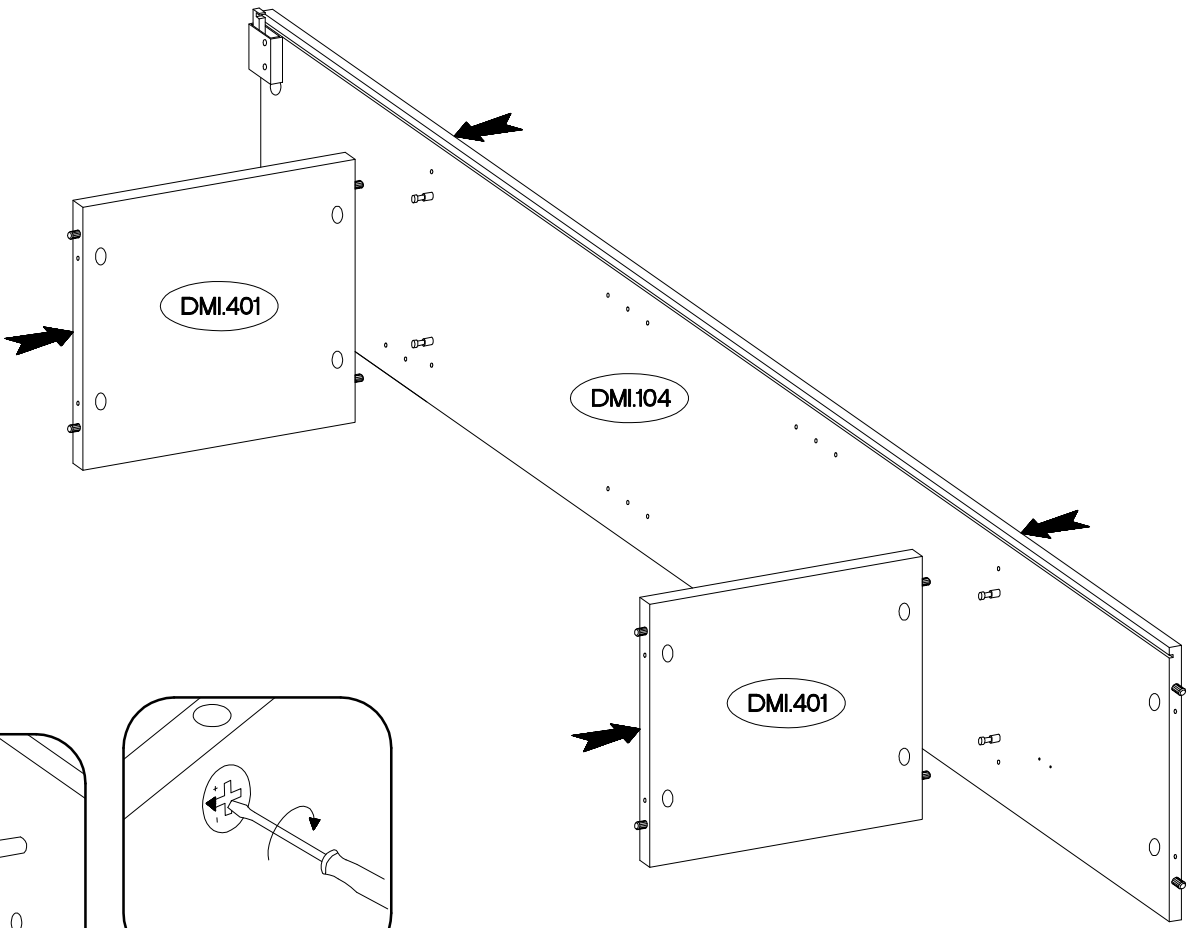


2

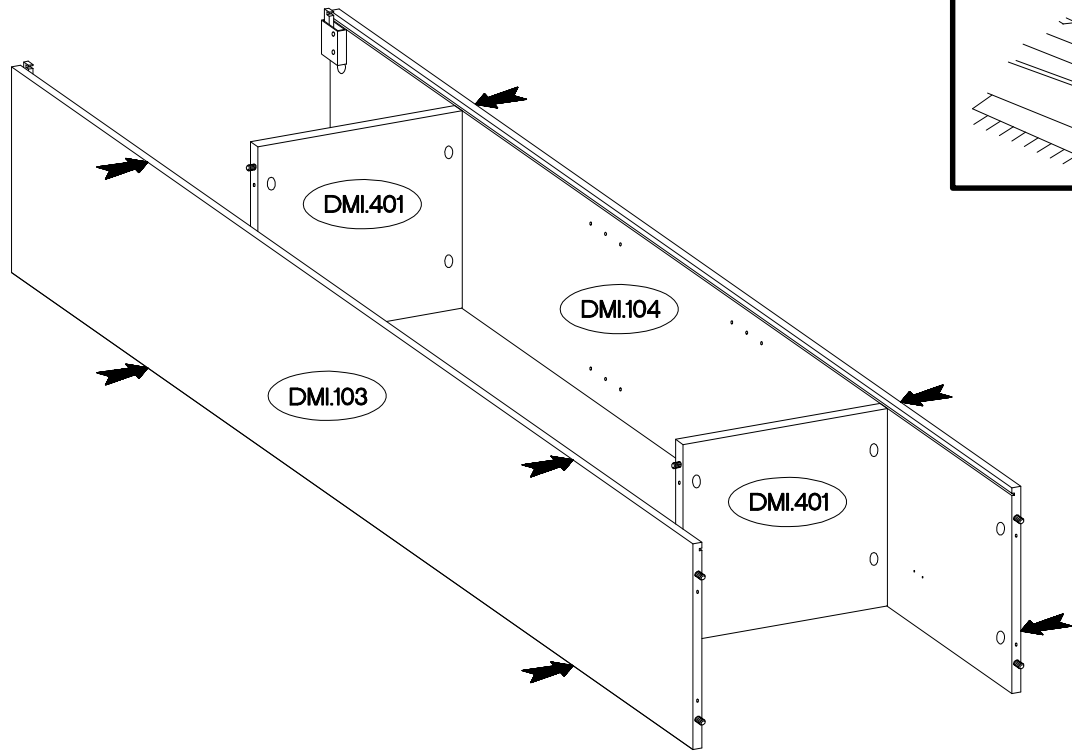
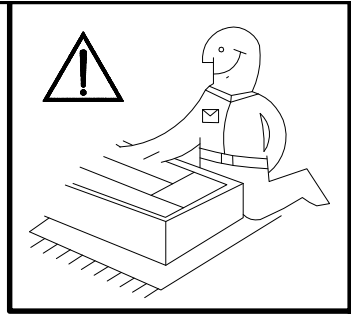
±8x30mm  A 8	±15/12mm  C 8	L=20mm  D2 8
---	--	---



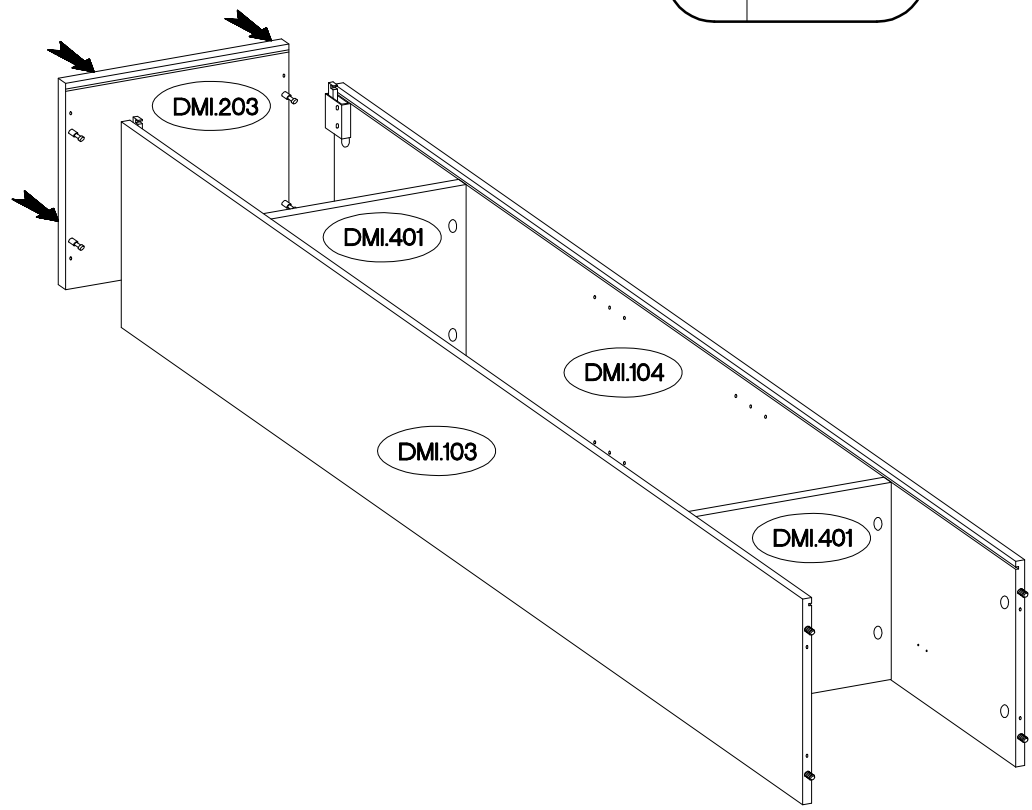
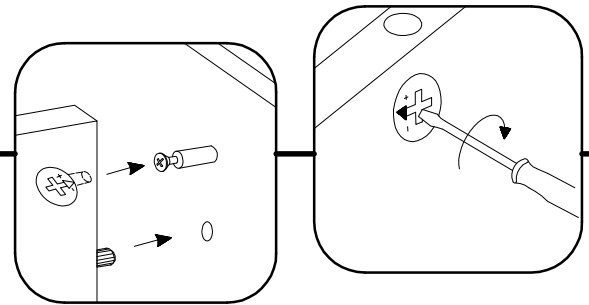
3



4



5



6

±3.0x20mm



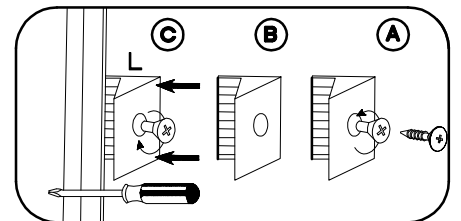
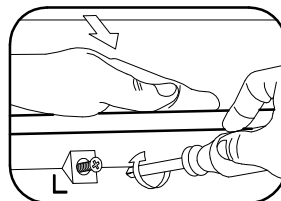
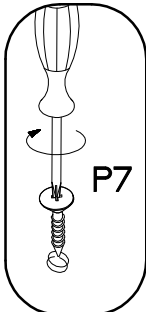
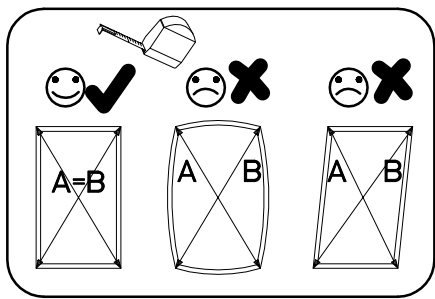
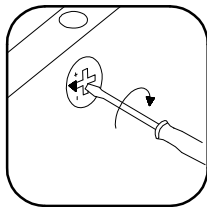
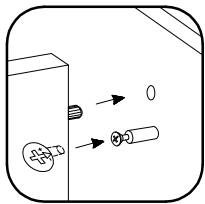
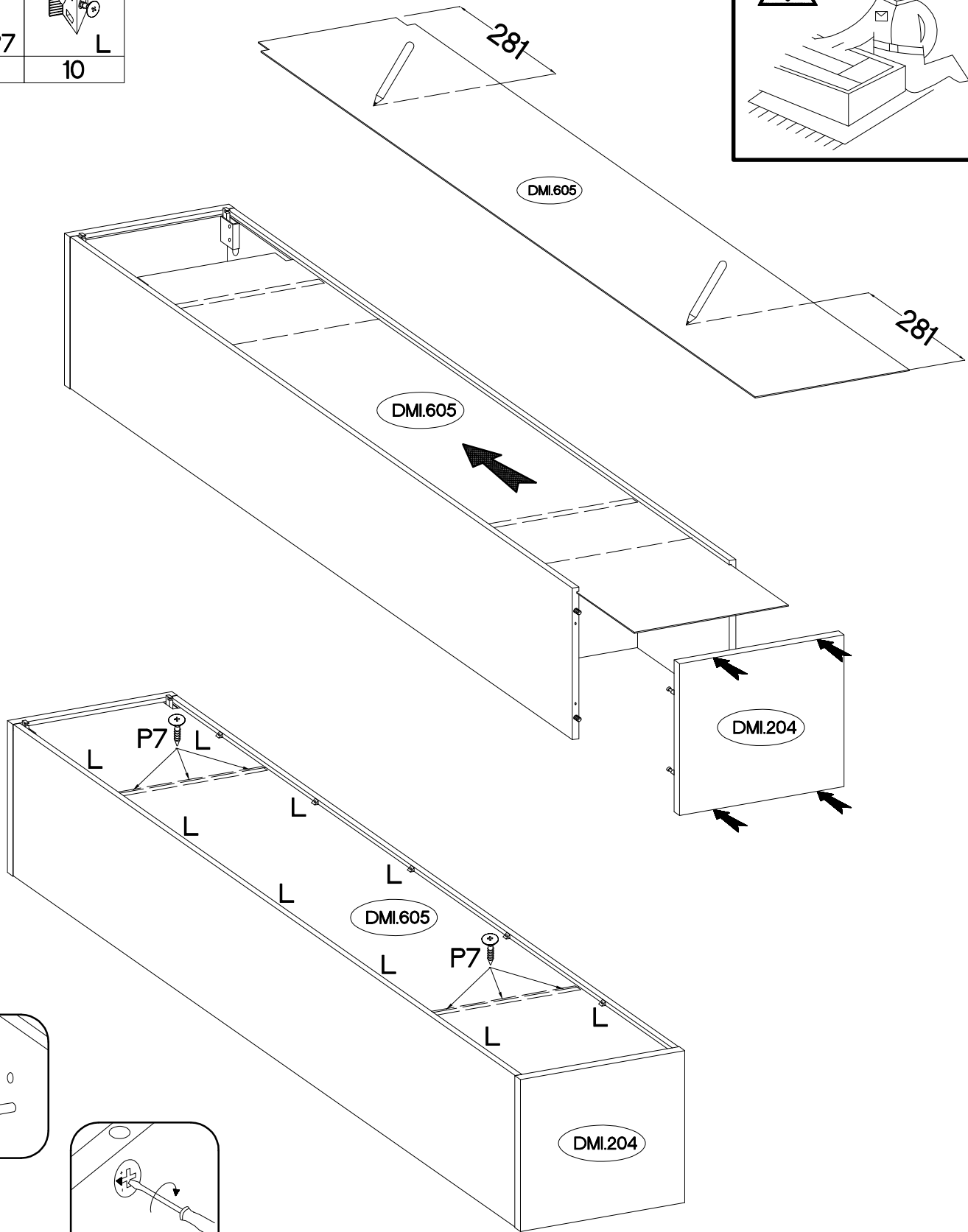
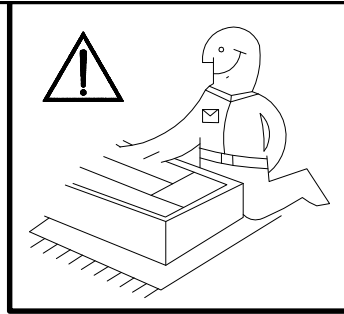
P7

6





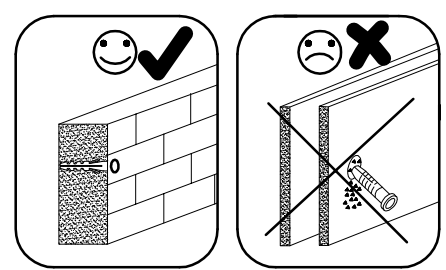
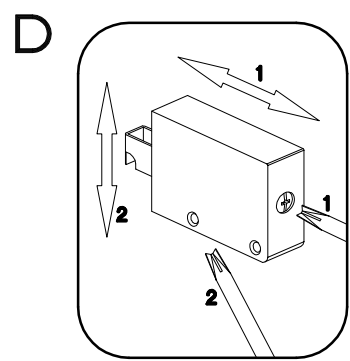
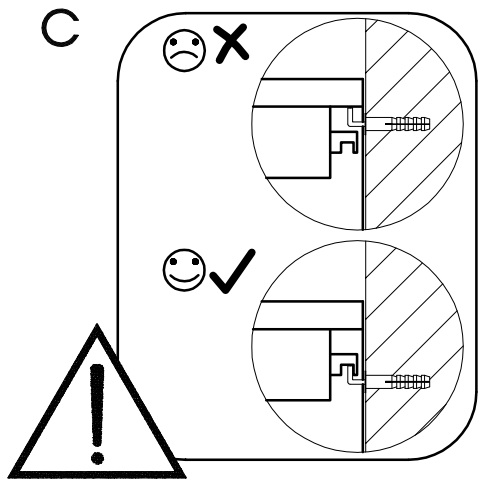
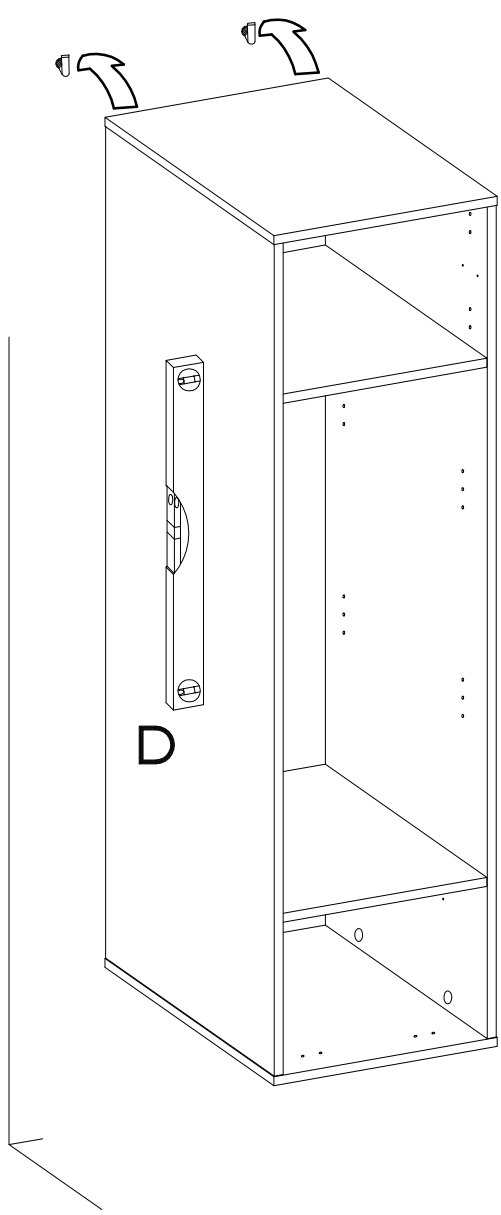
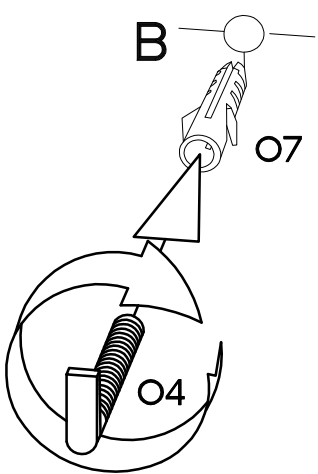
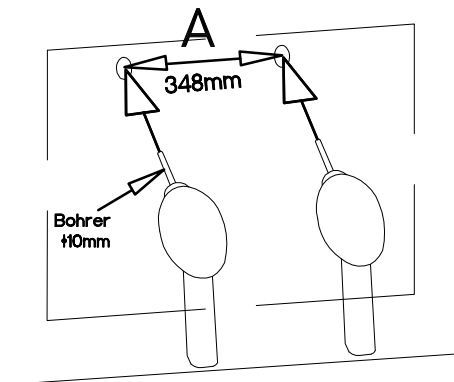
L

10



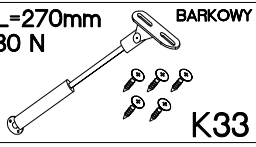
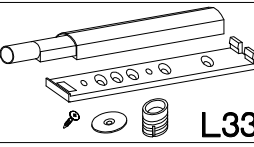


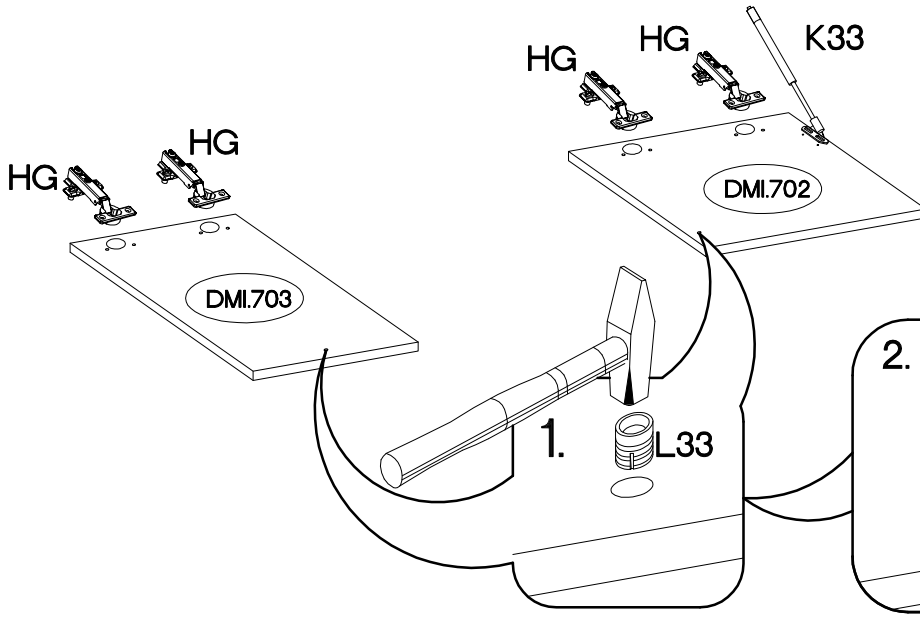
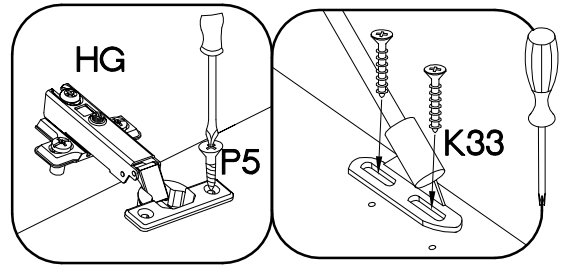
7

$\pm 10 \times 50 \text{mm}$ 	$6,5/68 \text{mm}$ 
O7	O4
2	2

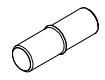



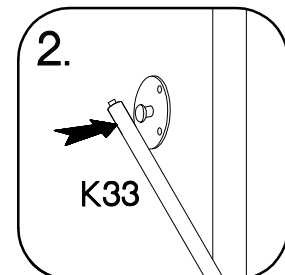
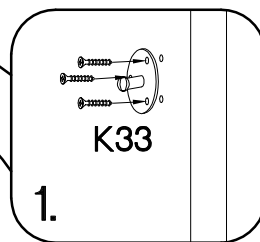
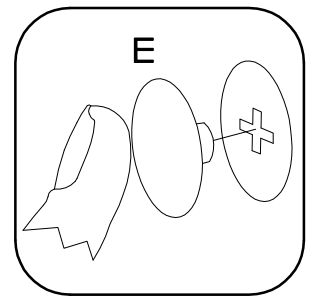
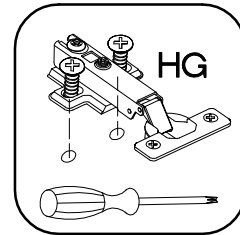
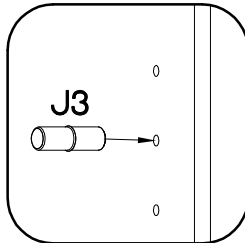
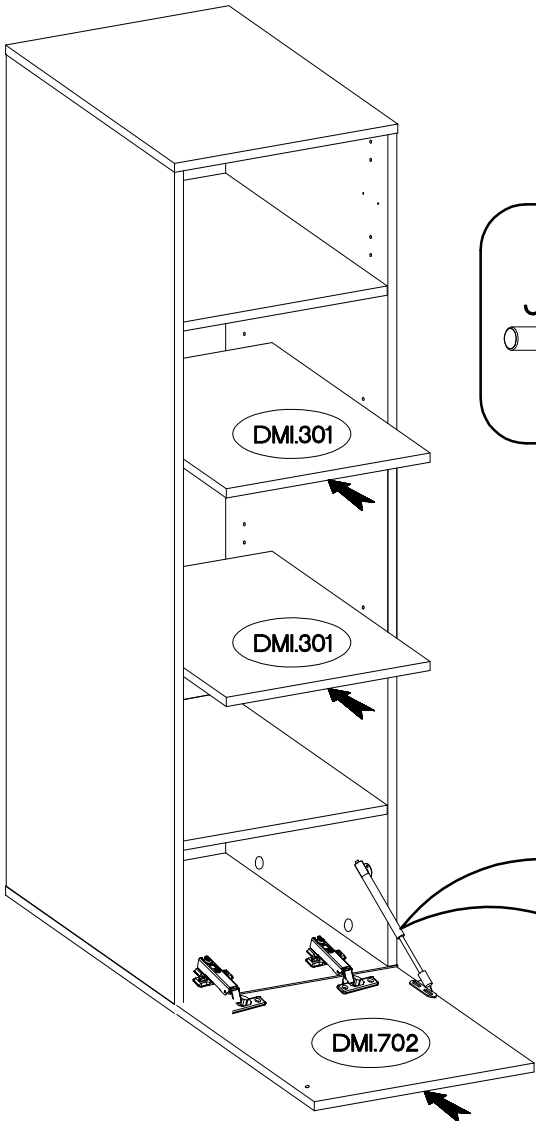
8

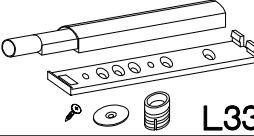

$\pm 35/0\text{mm}$  HG 4	$\pm 3.5 \times 13\text{mm}$  P5 8	L=270mm 80 N  BARKOWY K33 1	 L33 2
---	--	--	---



9

$\pm 5/16\text{mm}$  J3 8	 E 16
---	--



	$\pm 3.5 \times 13 \text{mm}$ 
L33	P5
1	2

