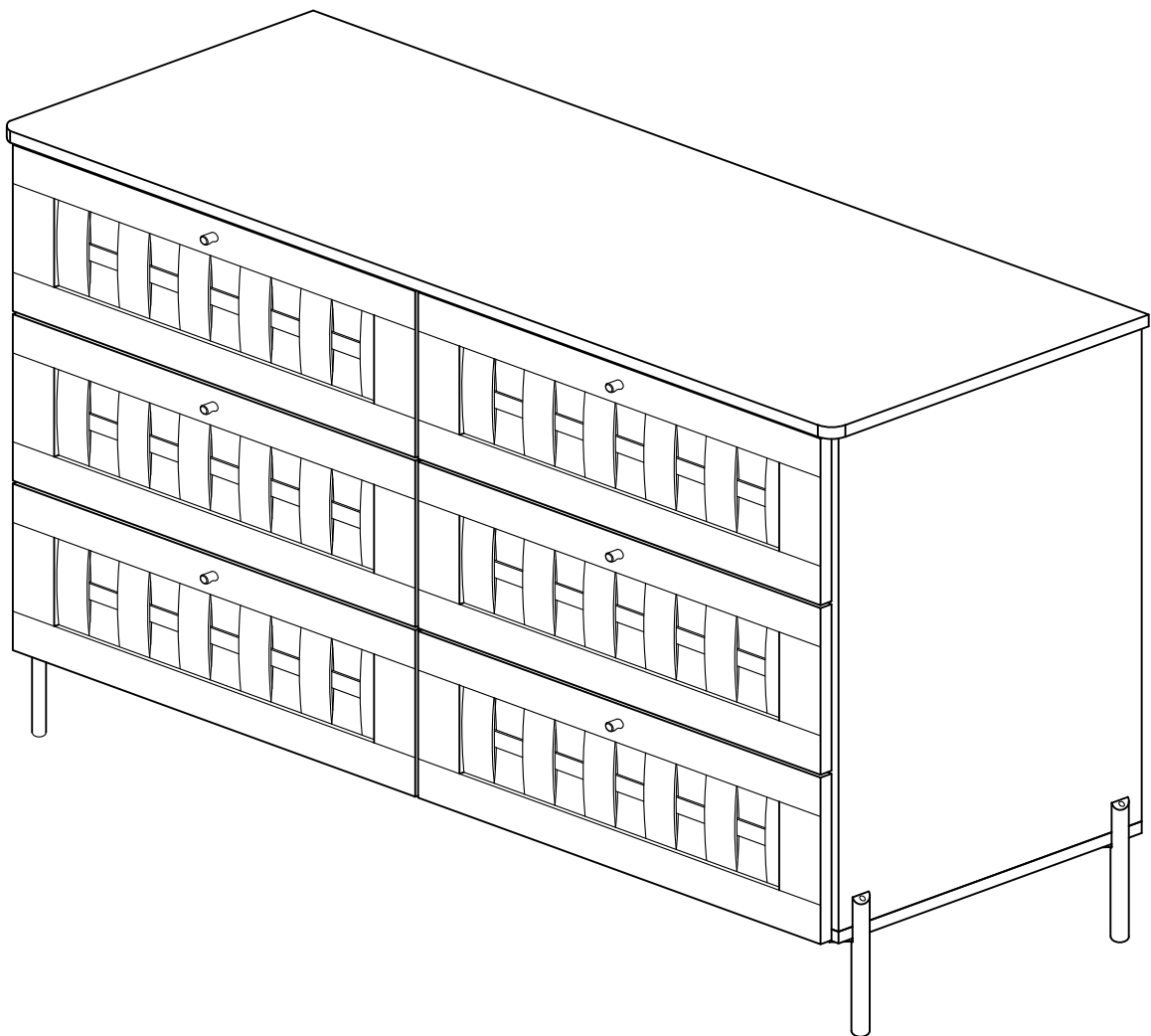


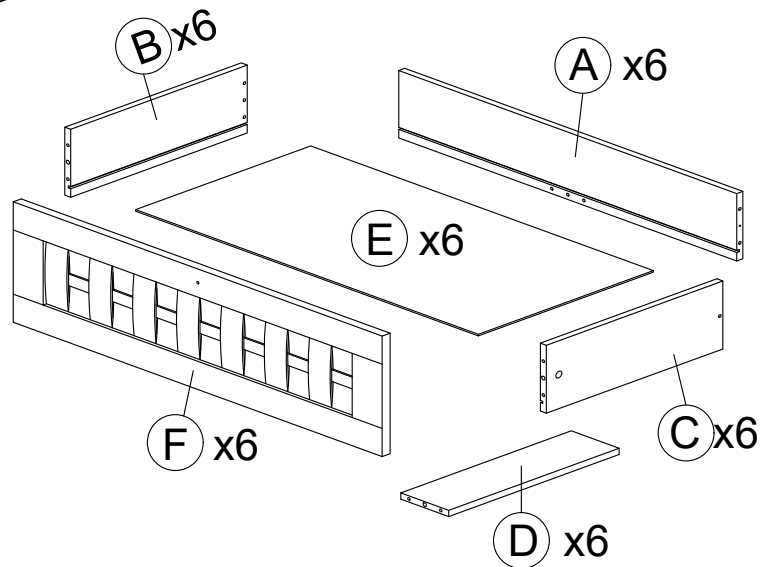
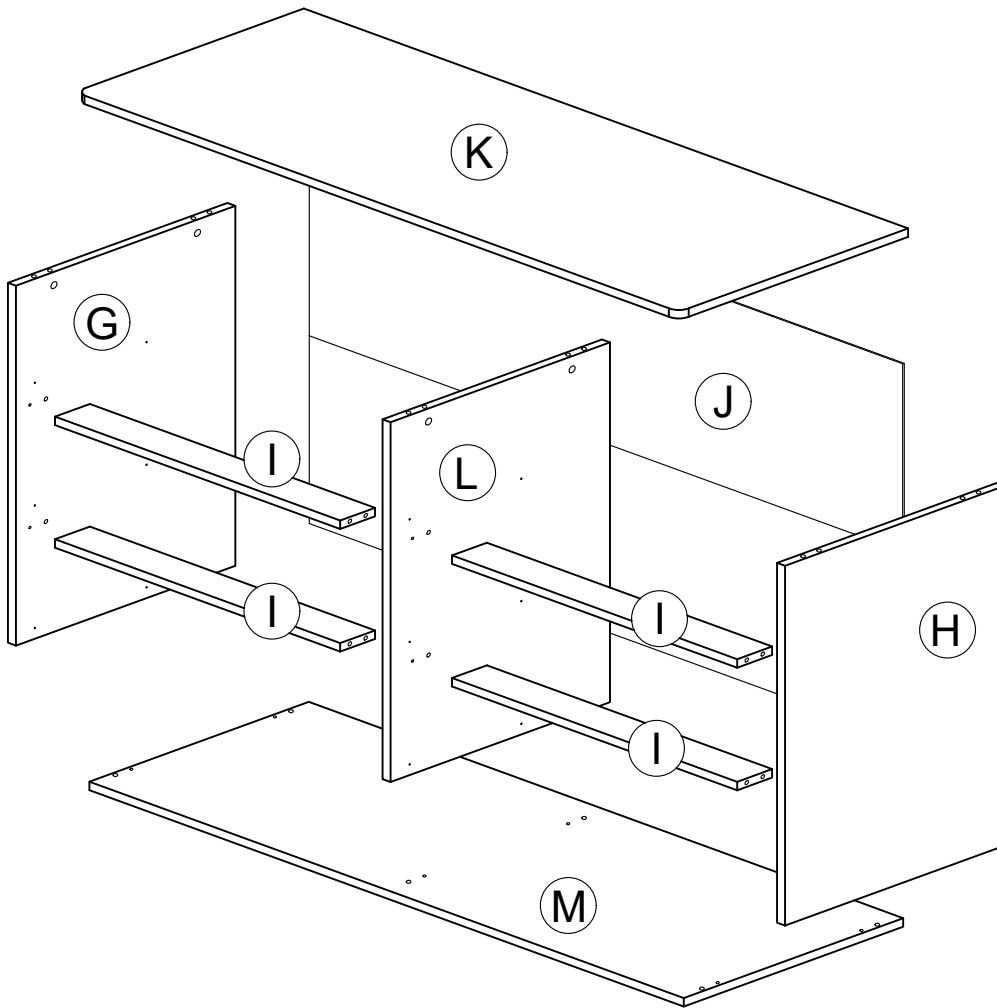
ASSEMBLY INSTRUCTION

DS 30

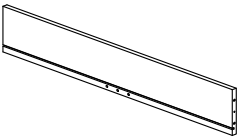
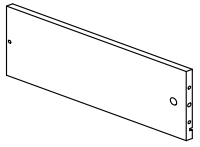
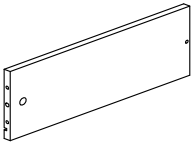
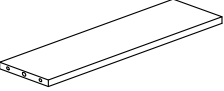
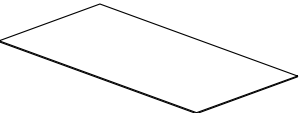
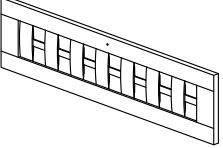
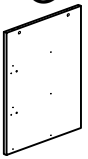

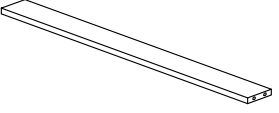
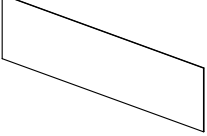


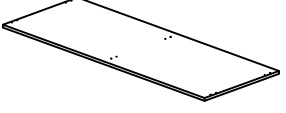
6 Drawers









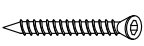






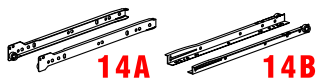
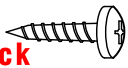

ASSEMBLY INSTRUCTION



ASSEMBLY INSTRUCTION

PART LIST			
<p>A</p>  <p>Drawer Back 6 PCS</p>	<p>B</p>  <p>Drawer Side L 6 PCS</p>	<p>C</p>  <p>Drawer Side R 6 PCS</p>	<p>D</p>  <p>Drawer Support 6 PCS</p>
<p>E</p>  <p>Drawer Panel 6 PCS</p>	<p>F</p>  <p>Drawer Head 6 PCS</p>	<p>G</p>  <p>Side Panel L 1 PC</p>	<p>H</p>  <p>Side Panel R 1 PC</p>
<p>I</p>  <p>Middle Support 4 PCS</p>	<p>J</p>  <p>Back Panel 2 PCS</p>	<p>K</p>  <p>Top Panel 1 PC</p>	<p>L</p>  <p>LVL Front Support 1 PC</p>
<p>M</p>  <p>Bottom Panel 1 PC</p>			

ASSEMBLY INSTRUCTION

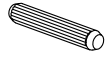
HARDWARE LIST			
<p>1</p>  <p>Camlock 15MM 32 PCS</p>	<p>2</p>  <p>Camlock Bolt 15MM 32 PCS</p>	<p>3</p>  <p>M8x25MM Wood Dowel 20 PCS</p>	<p>4</p>  <p>M6x30MM Wood Dowel 72 PCS</p>
<p>5</p>  <p>CB Screw M3.5x16MM 20 PCS</p>	<p>6</p>  <p>M4x38MM Screw 18 PCS</p>	<p>7</p>  <p>Csk M6x50MM 6 PCS</p>	<p>8</p>  <p>Handle Screw M4x20MM 6 PCS</p>
<p>9</p>  <p>Metal Handle C 6 PCS</p>	<p>10</p>  <p>M4 Allen Key 1 PC</p>	<p>11</p>  <p>Metal Leg 4 PCS</p>	<p>12</p>  <p>Metal Leg (Center) 1 PC</p>
<p>13</p>  <p>CB Screw M3.5x12MM 72 PCS</p>	<p>14</p>  <p>14A 14B Drawer Slide 12" 6 SETS</p>	<p>15</p>  <p>Black P/H Screw M4x20MM 4 PCS</p>	<p>16</p>  <p>Nail 5/8 30 PCS</p>

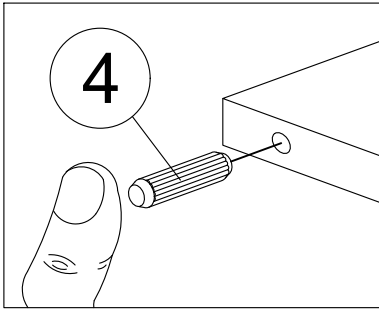
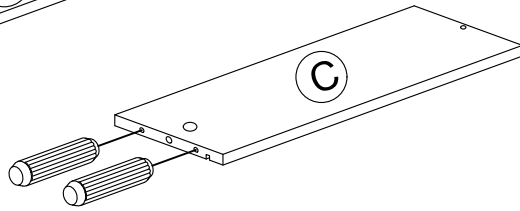
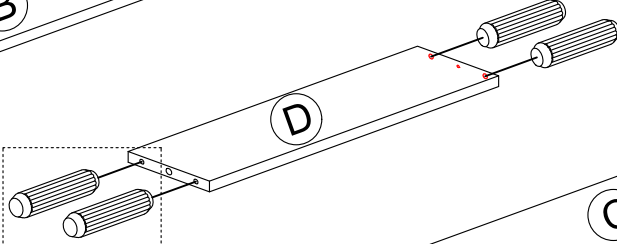
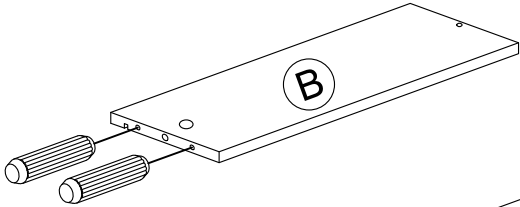
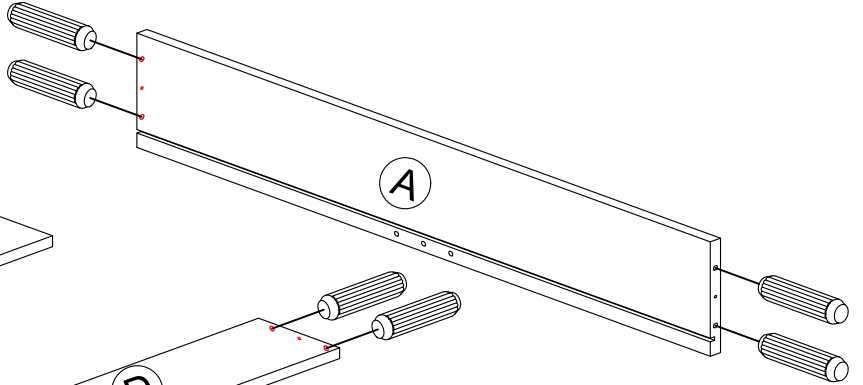
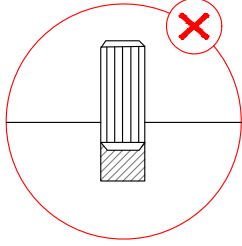
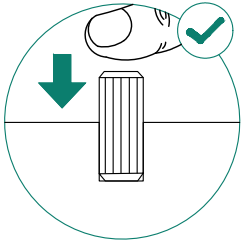
ASSEMBLY INSTRUCTION

Step 1

Required/Requis/Requerido

x72

 4

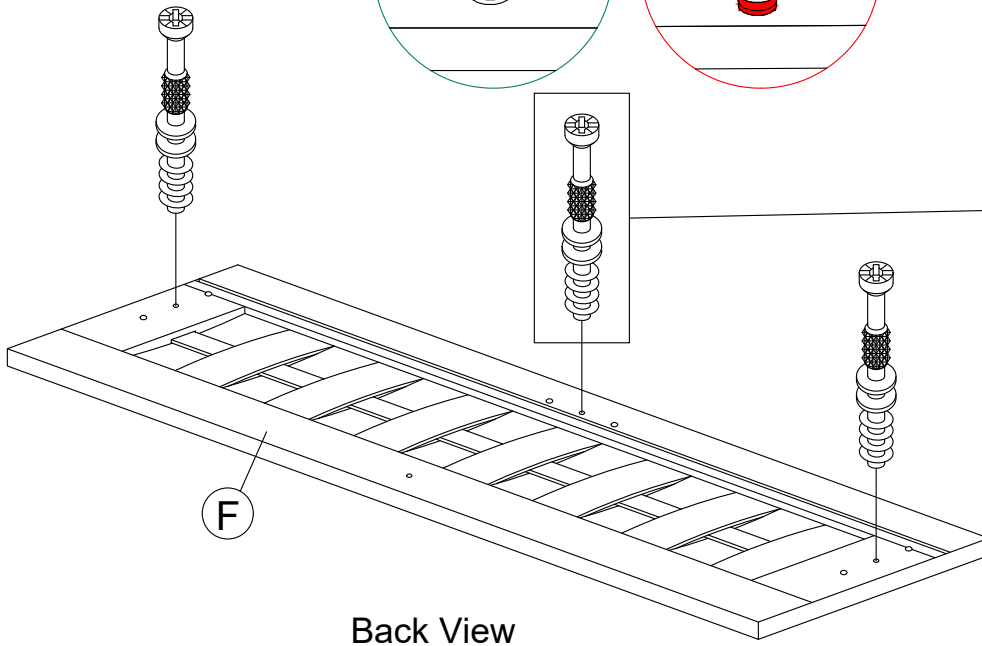
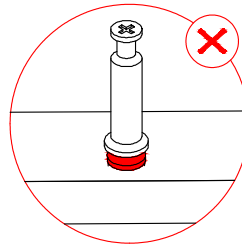
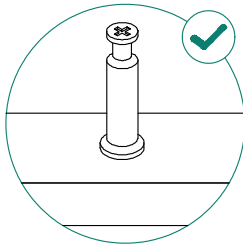


Step 2

Required/Requis/Requerido

x18

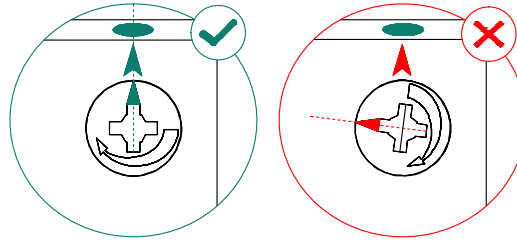
 2



Back View

ASSEMBLY INSTRUCTION

Step 3

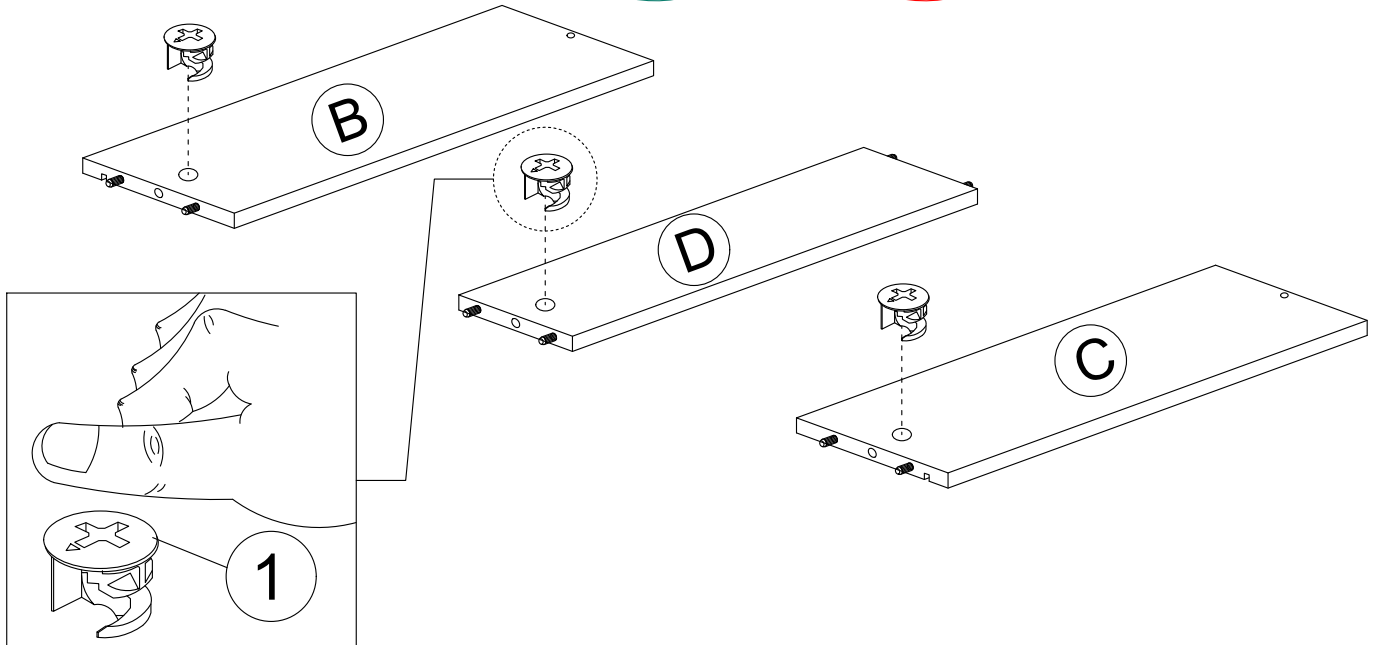


Required/Requis/Requerido

x18



1



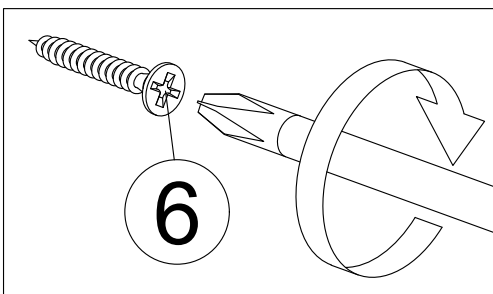
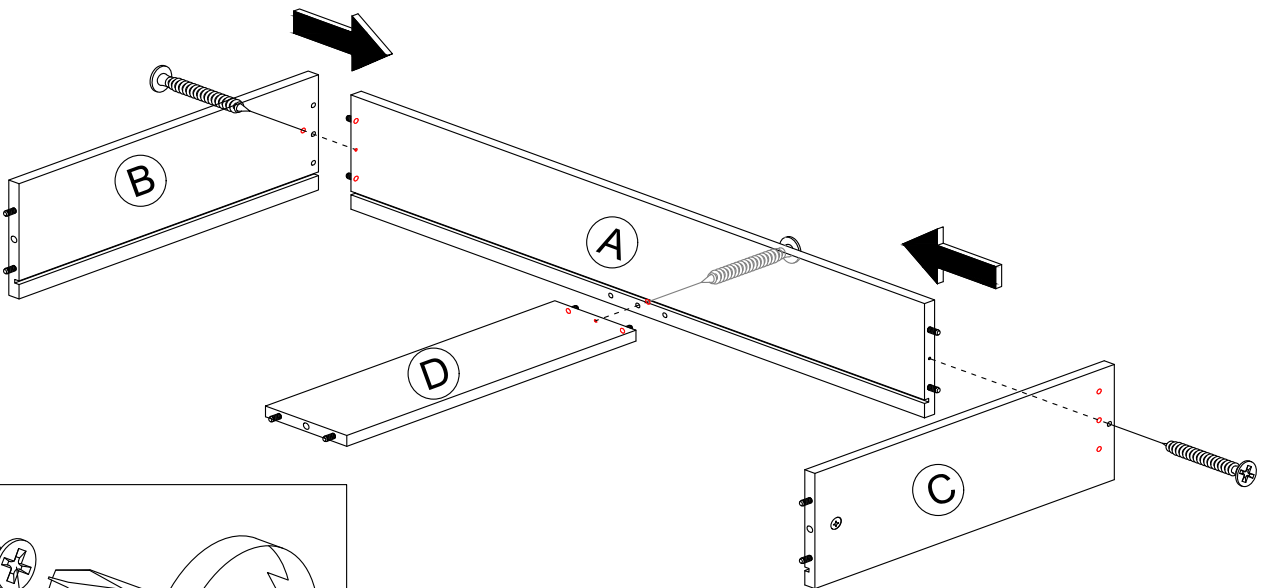
Step 4

Required/Requis/Requerido

x18

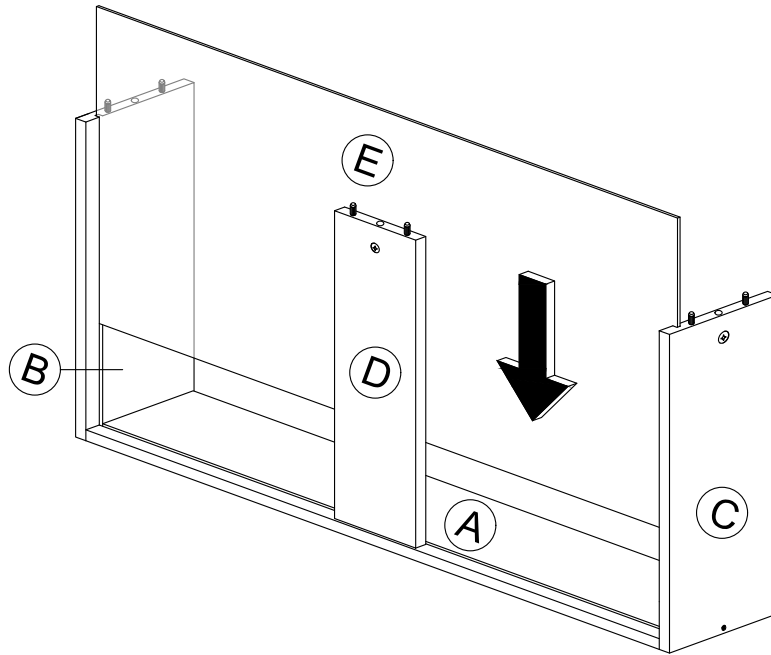


6

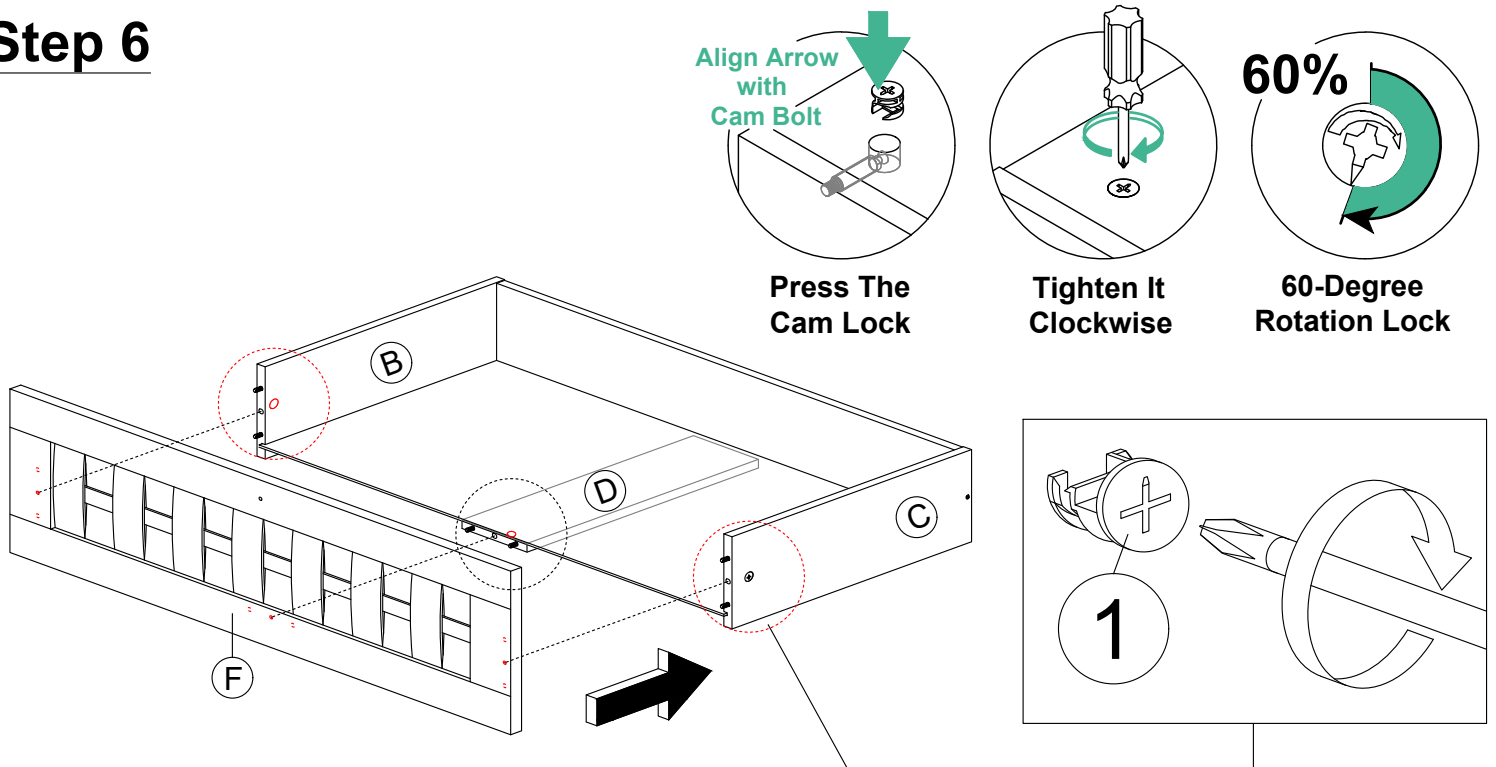


ASSEMBLY INSTRUCTION

Step 5



Step 6




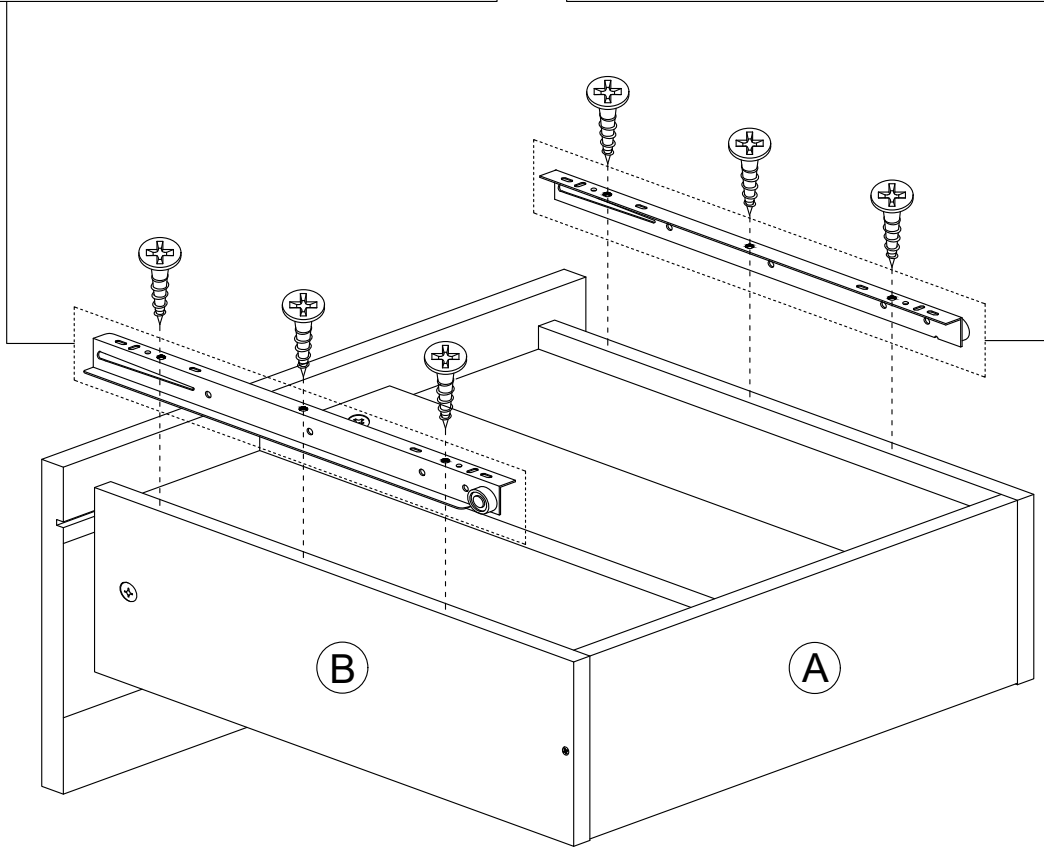
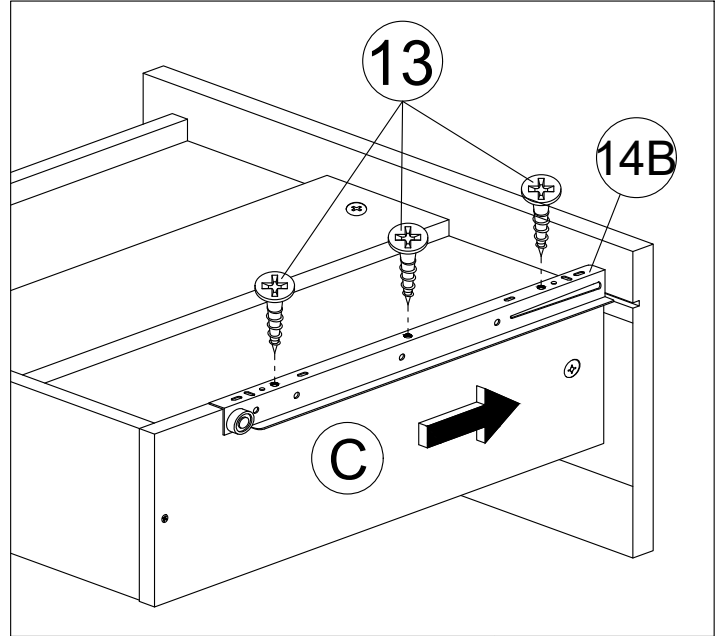
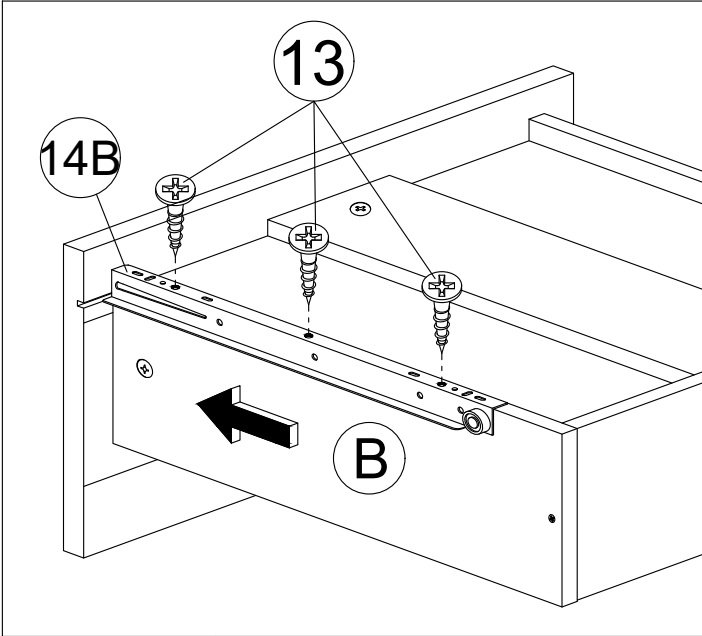
ASSEMBLY INSTRUCTION

Step 7

Required/Requis/Requerido

x36  13

x6  14B



Bottom View

ASSEMBLY INSTRUCTION

Step 8

Required/Requis/Requerido

x6

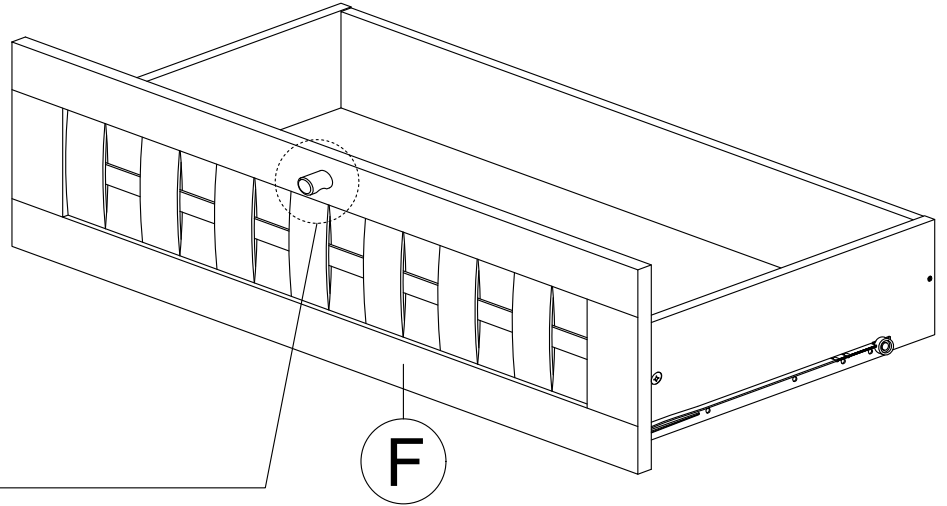
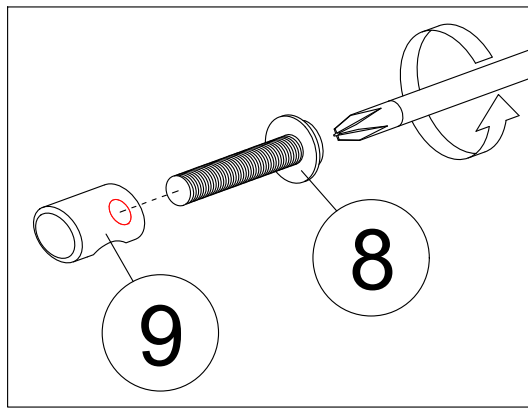


9

x6



8



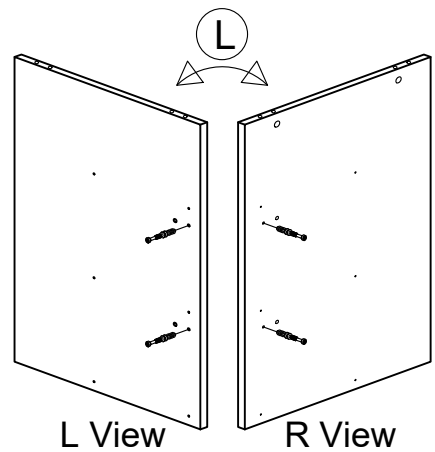
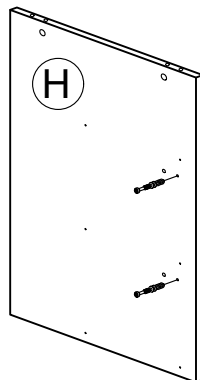
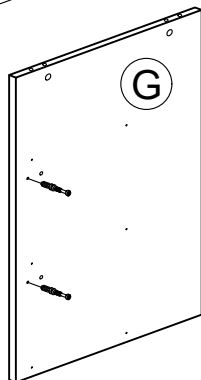
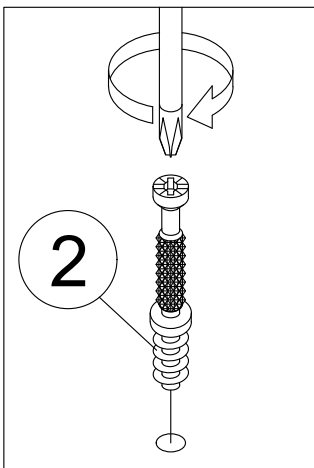
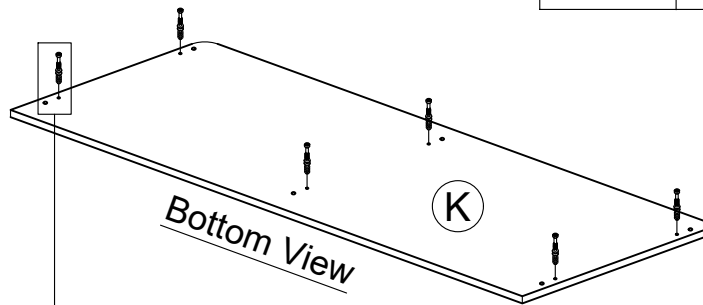
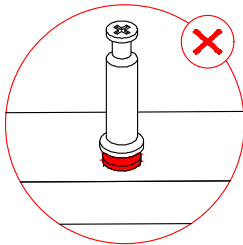
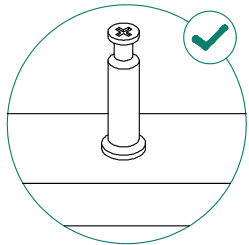
Step 9

Required/Requis/Requerido

x14



2

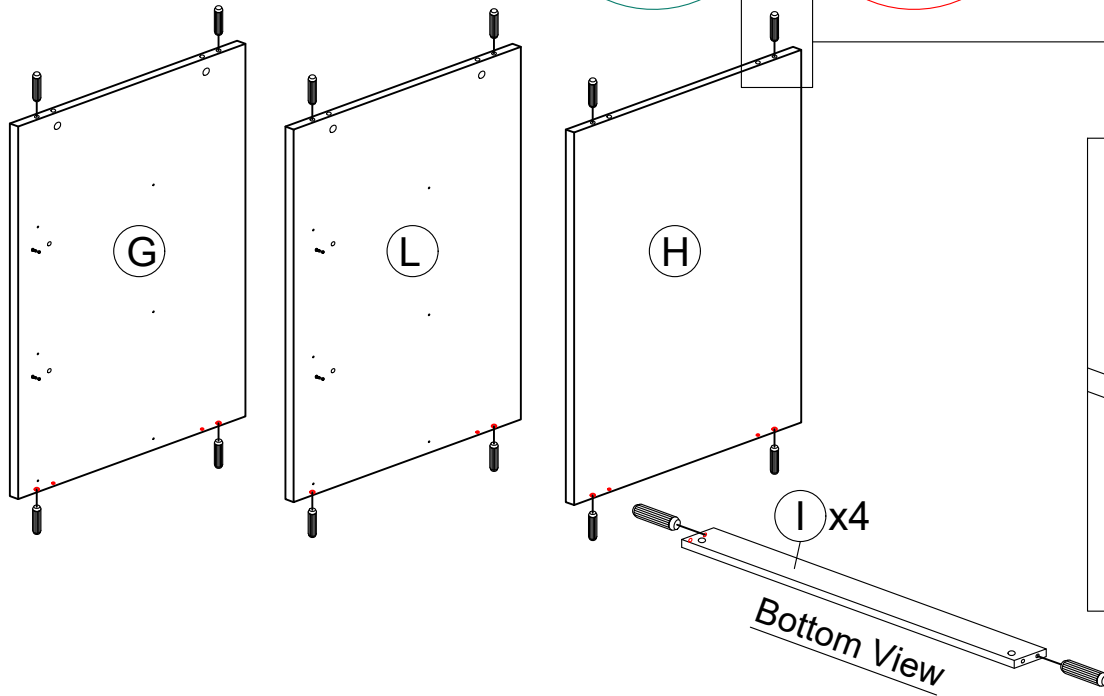


L View

R View

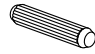
ASSEMBLY INSTRUCTION

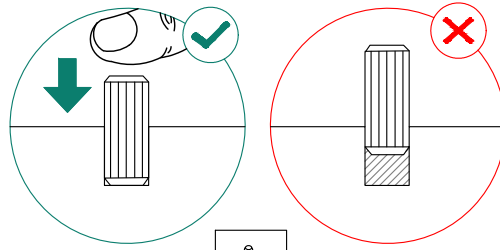
Step 10



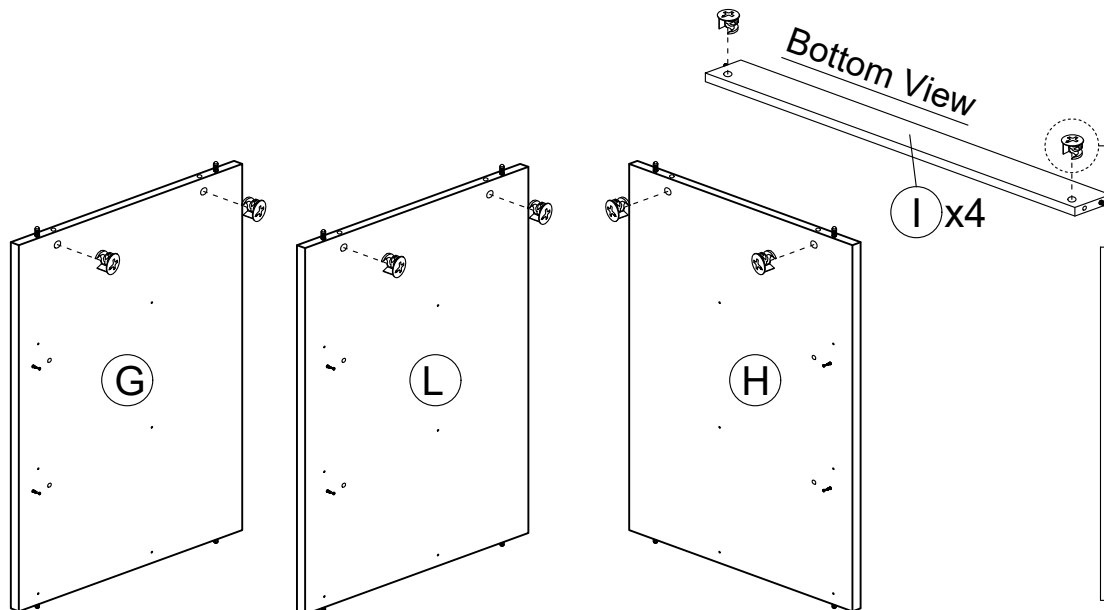
Required/Requis/Requerido

x20

 3



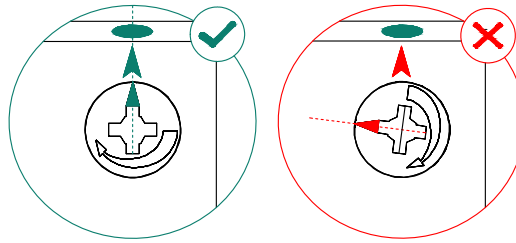
Step 11



Required/Requis/Requerido

x14

 1



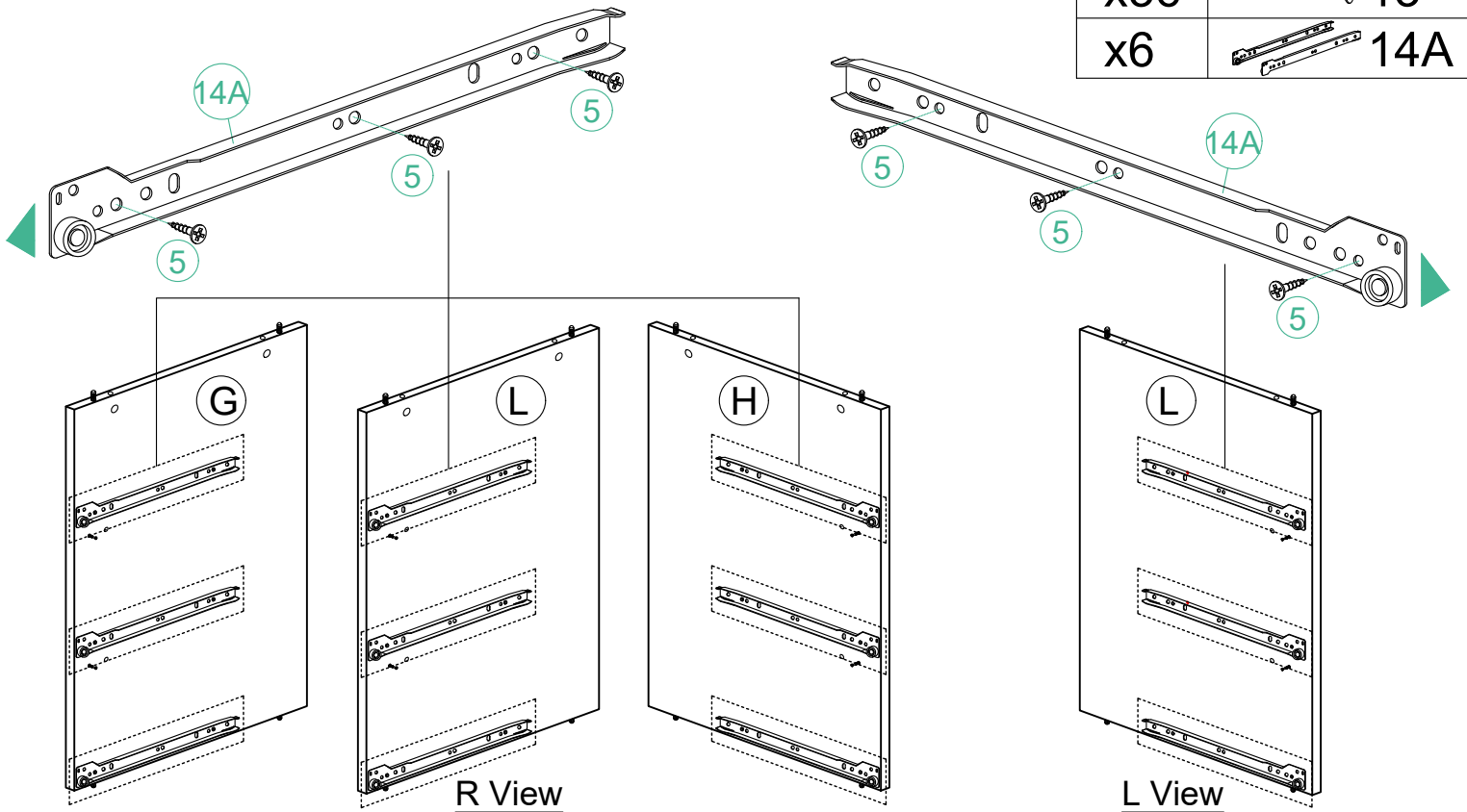
ASSEMBLY INSTRUCTION

Step 12

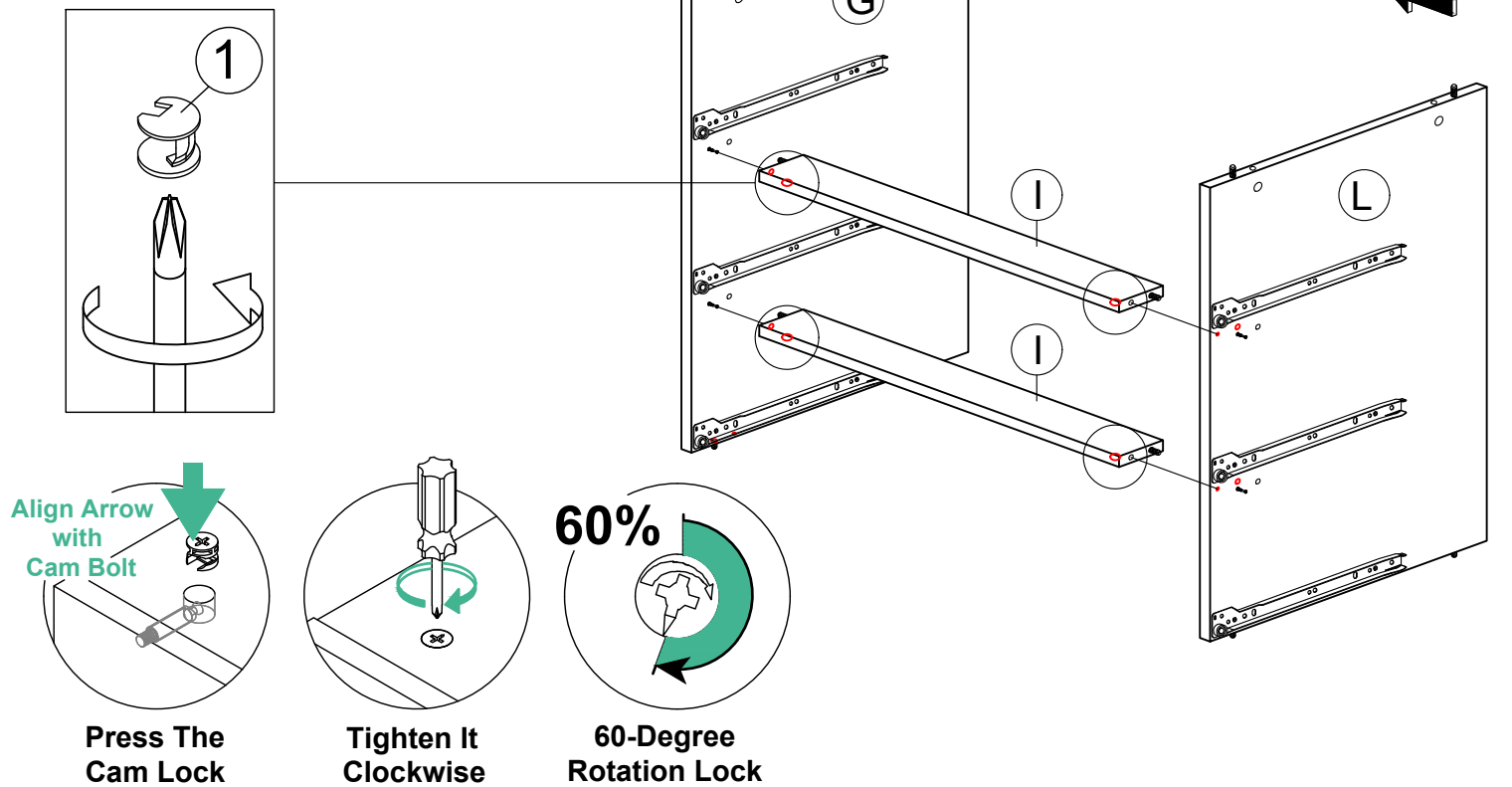
Required/Requis/Requerido

x36  13

x6  14A

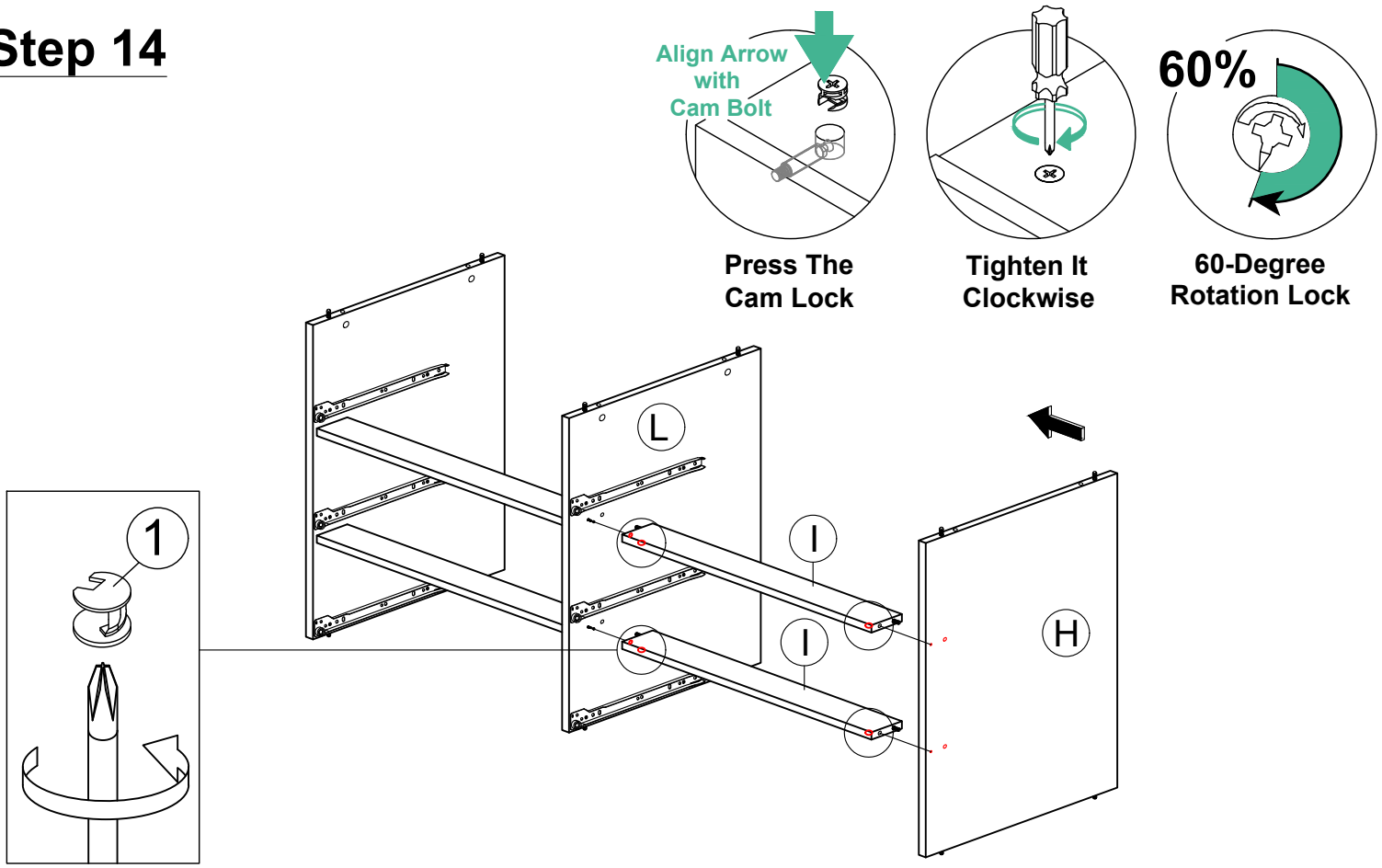


Step 13

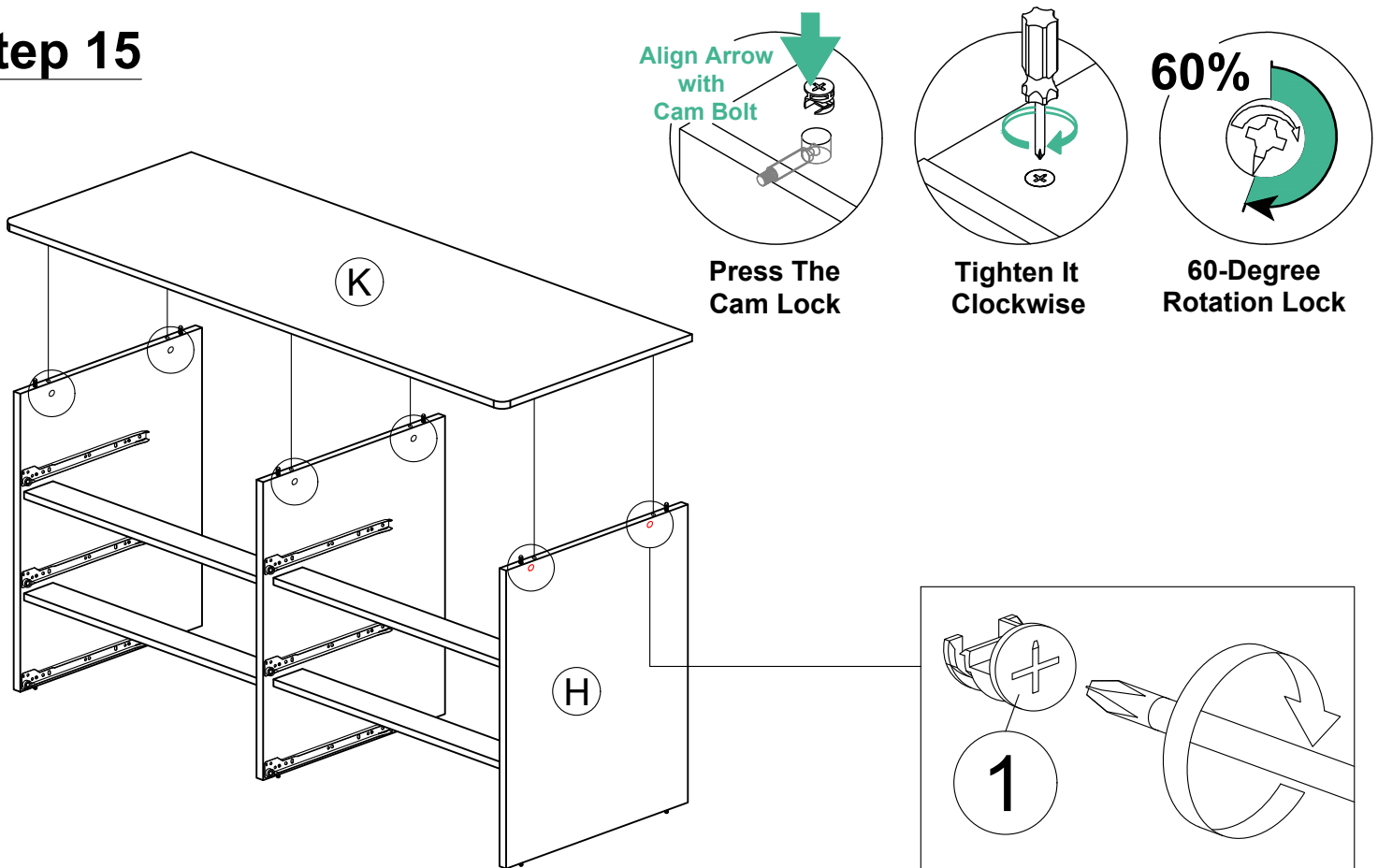


ASSEMBLY INSTRUCTION

Step 14



Step 15



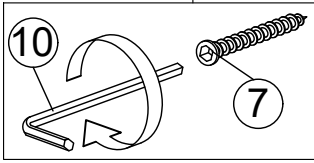
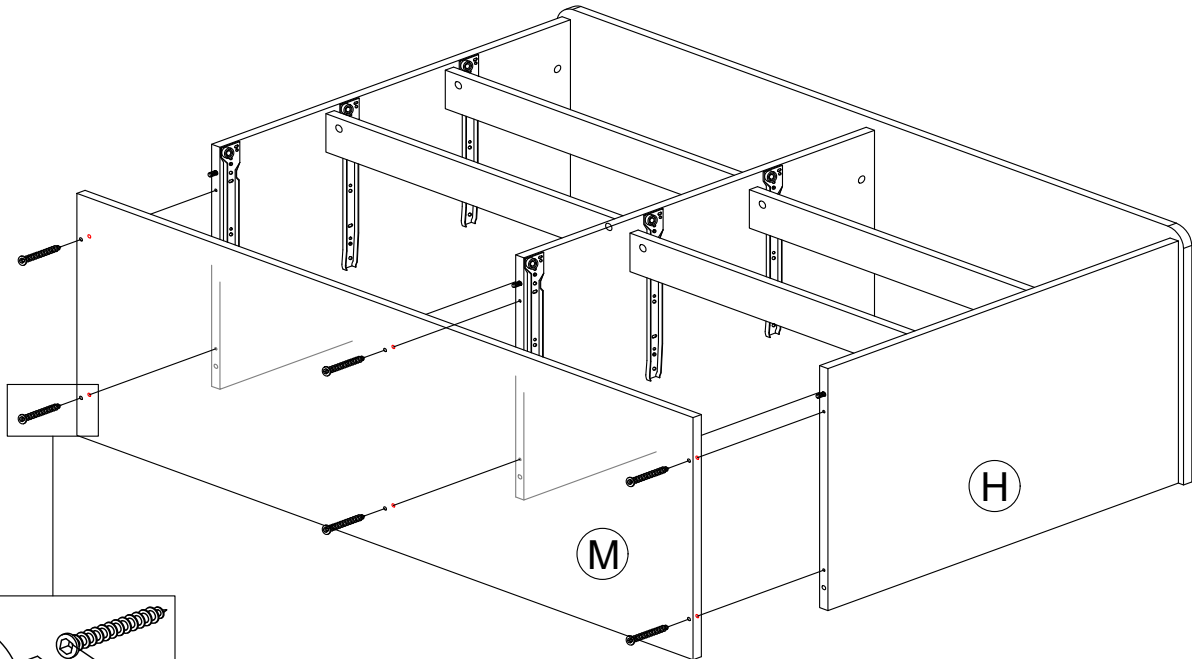
ASSEMBLY INSTRUCTION

Step 16

Required/Requis/Requerido


x1  10

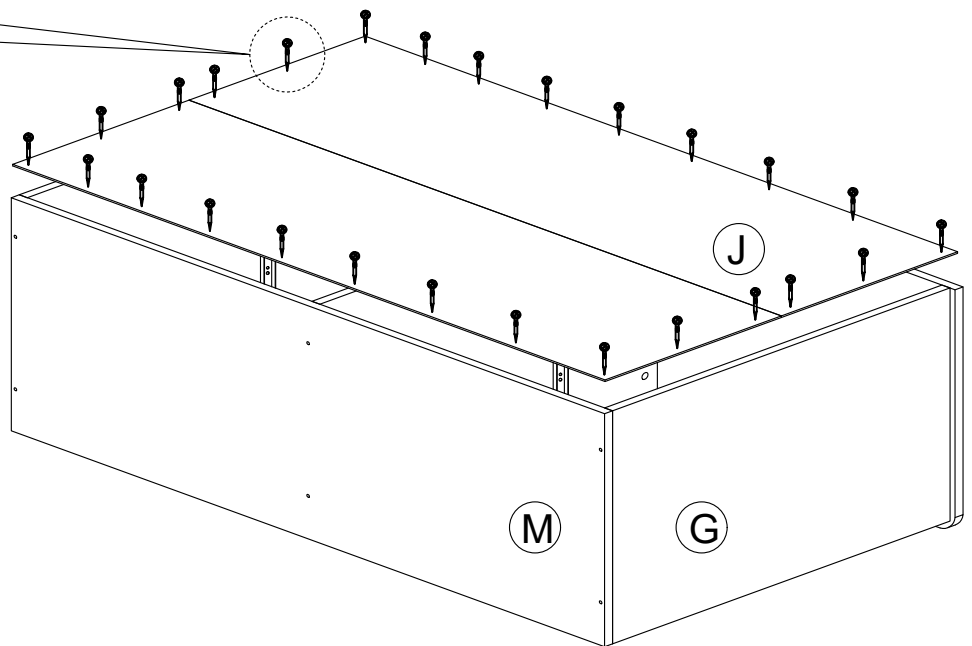
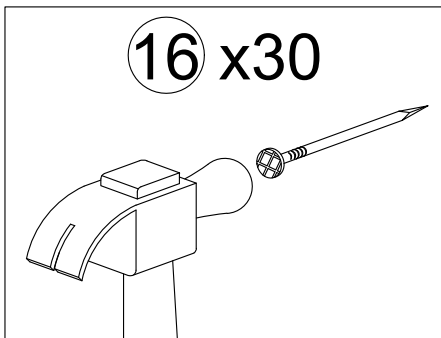
x6  7



Step 17

Required/Requis/Requerido

x30  16



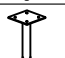


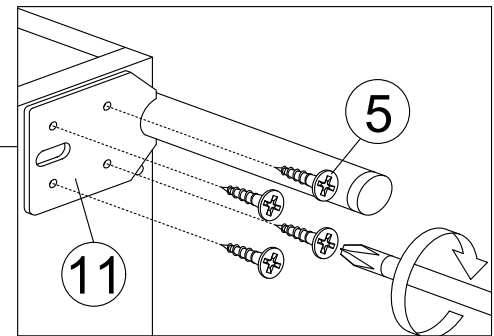
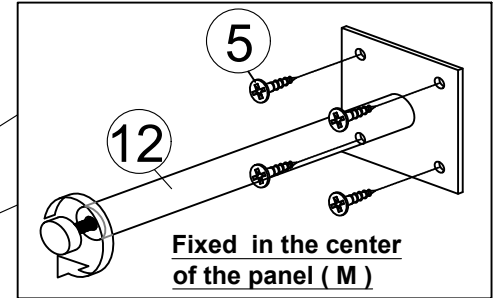
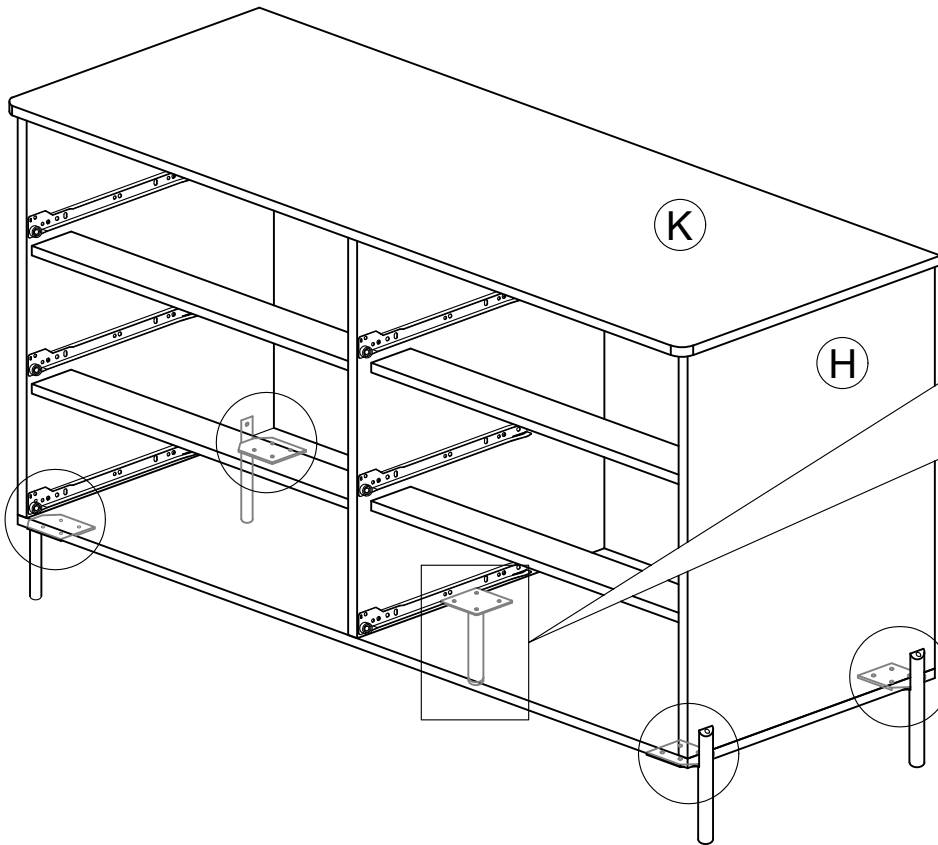
Back View

ASSEMBLY INSTRUCTION

Step 18

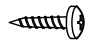
Required/Requis/Requerido

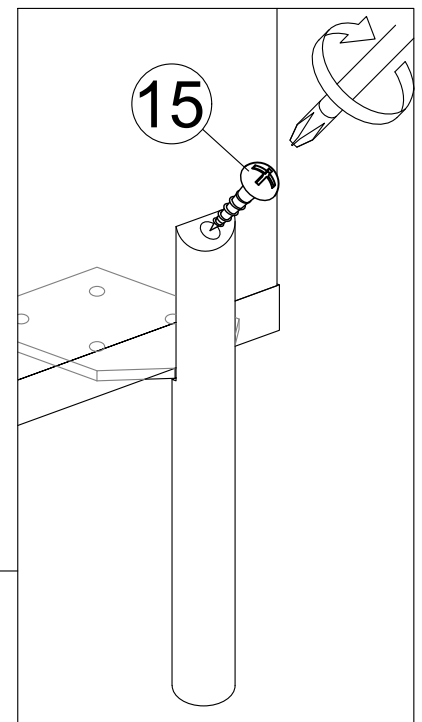
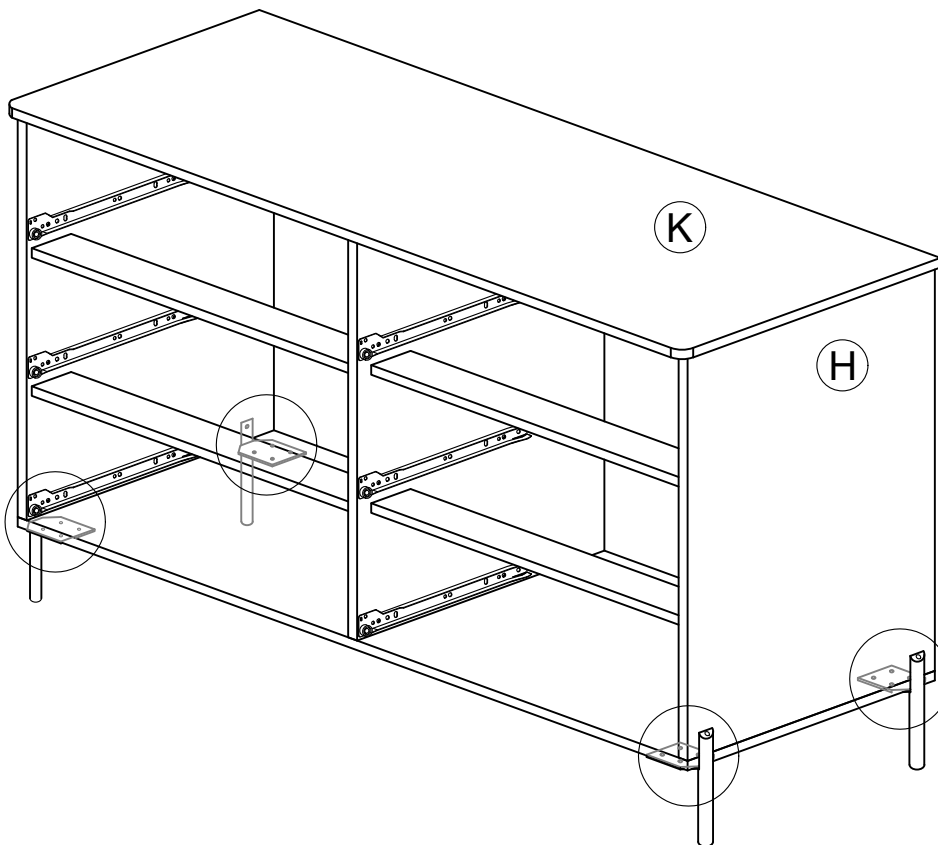
x20		5
x4		11
x1		12



Step 19

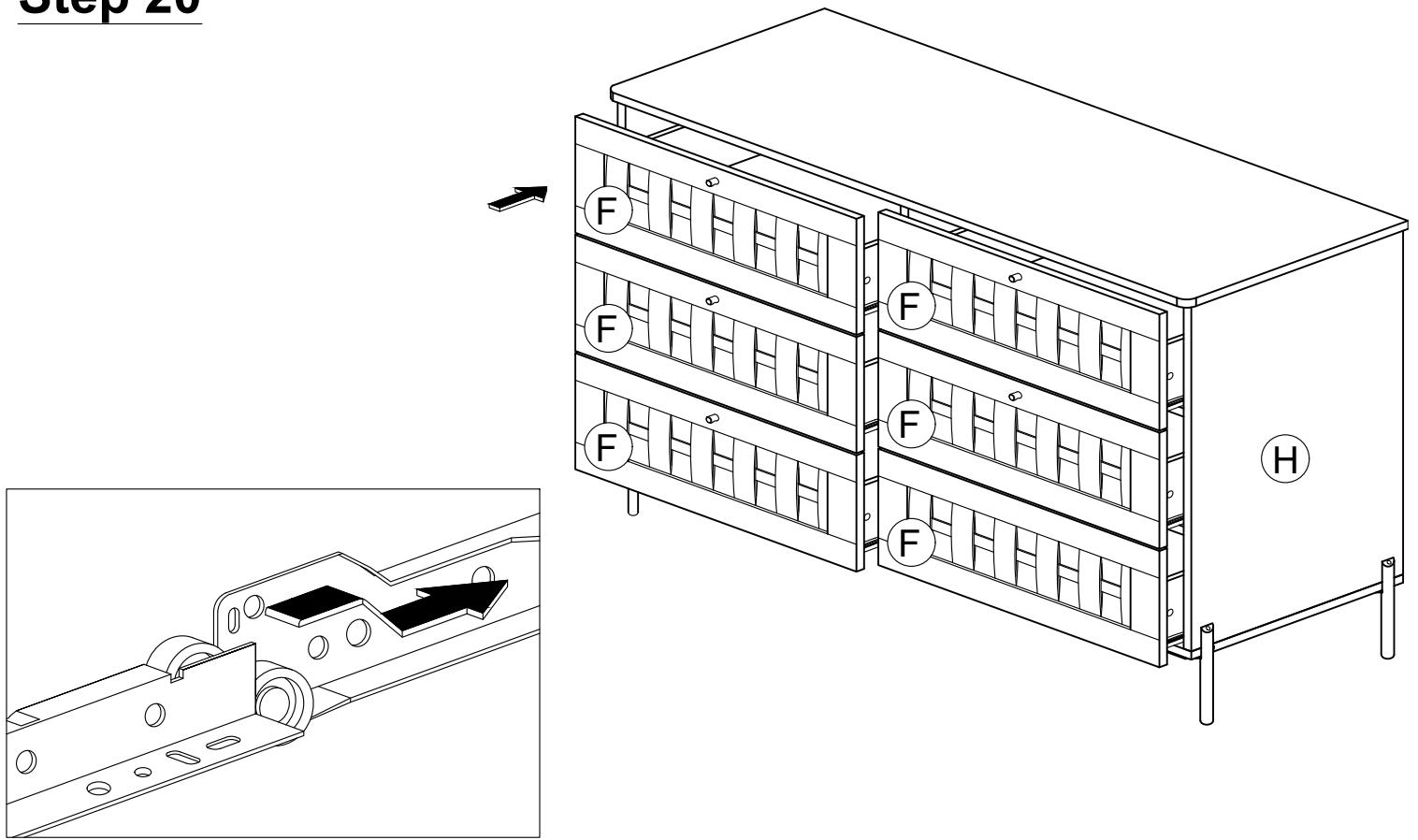
Required/Requis/Requerido

x4		15
----	---	----



ASSEMBLY INSTRUCTION

Step 20



Completed

