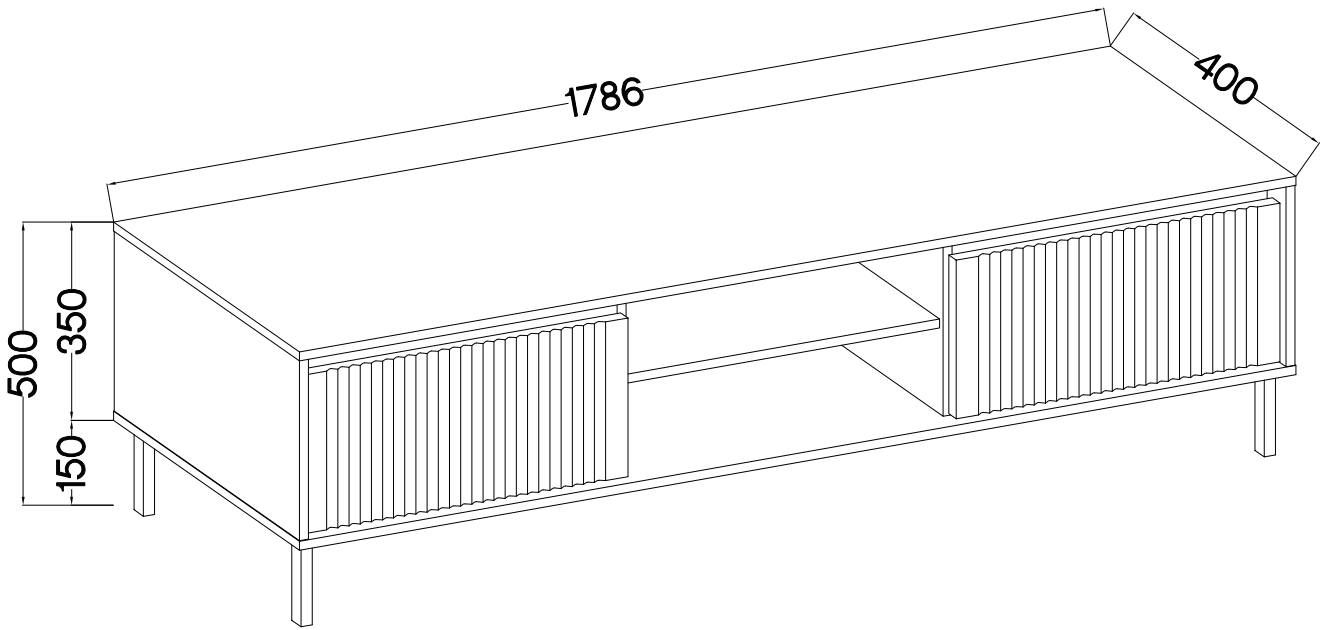
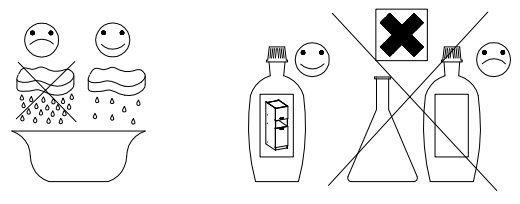
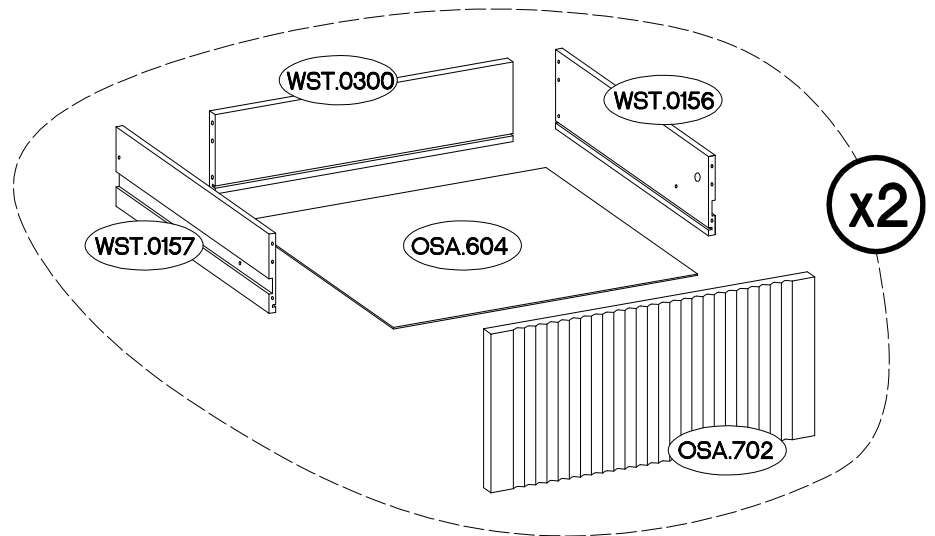
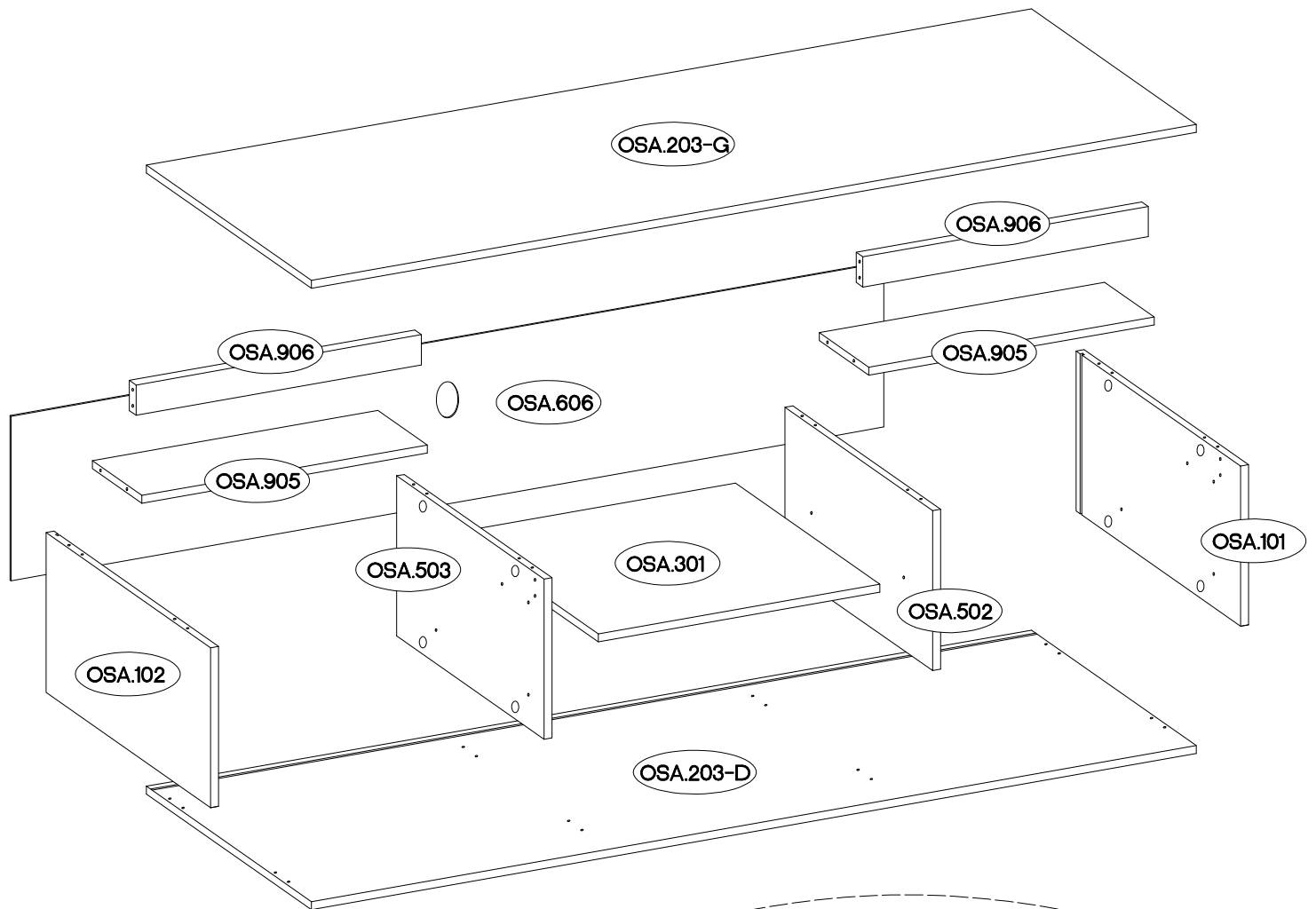


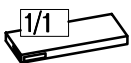
TYP 312



 <b>†8x30mm</b> <b>A</b> 44	 <b>†6x42mm</b> <b>B2</b> 4	 <b>†15/12mm</b> <b>C</b> 20	 <b>†12/10mm</b> <b>C5</b> 4	 <b>L=20mm</b> <b>D2</b> 24	 <b>L=150mm</b> <b>F34</b> 5	 <b>27/310mm</b> <b>I4</b> 2	 <b>†5</b> <b>J1</b> 4	 <b>†7/2mm</b> <b>J5</b> 4	 <b>†20/8mm</b> <b>J14</b> 4	 <b>†15/12mm</b> <b>L</b> 22	 <b>†12/10mm</b> <b>L9</b> 1	 <b>†6,3x13mm</b> <b>M2</b> 4	 <b>†6.3x20mm</b> <b>M3</b> 4	 <b>†10x50mm</b> <b>O7</b> 1	 <b>†3.5x13mm</b> <b>P5</b> 1	 <b>†3.0x20mm</b> <b>P7</b> 4	 <b>†4.0x16mm</b> <b>R11</b> 15	 <b>M4x9mm</b> <b>U1</b> 4
--------------------------------------	--------------------------------------	---------------------------------------	---------------------------------------	--------------------------------------	---------------------------------------	---------------------------------------	---------------------------------	-------------------------------------	---------------------------------------	---------------------------------------	---------------------------------------	--	--	---------------------------------------	--	--	--	-------------------------------------



	Ersatzteil Nummer	Dimension
	OSA.101	318x399x16
	OSA.102	318x399x16
	OSA.502	318x358x16
	OSA.503	318x358x16
	OSA.203 x2	1786x400x16
	OSA.905 x2	576x120x16
	OSA.906 x2	576x60x16
	OSA.301	568x350x16
	OSA.606	1761x327x2,5
	OSA.604 x2	545x327x2,5
	WST.0156 x2	330x140x12
	WST.0157 x2	330x140x12
	WST.0300 x2	534x140x12
	TKO.702 x2	280x580x16



OSA.203-G




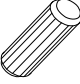
OSA.203-D

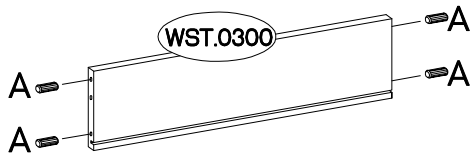
OSA.301



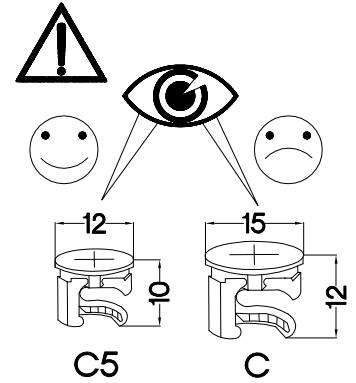
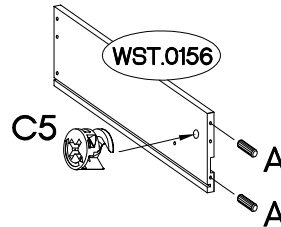
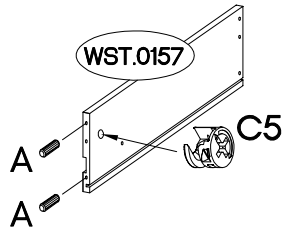
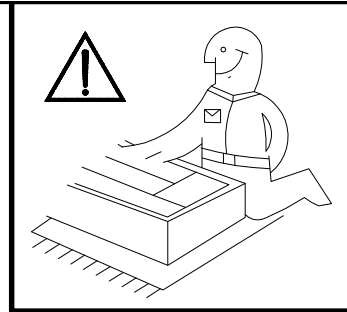
OSA.604

1

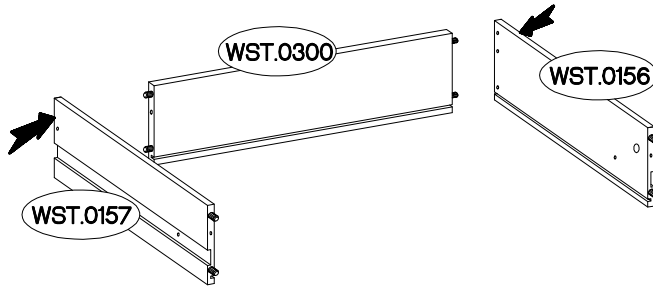
 C5 4	 A 16
---	---




x2

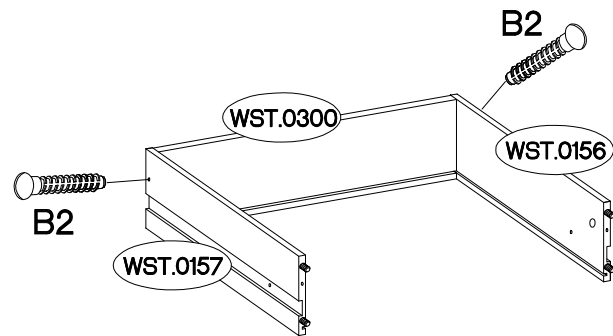
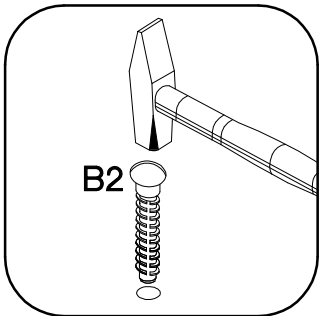


2




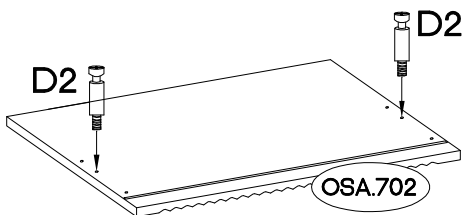
x2

 B2 4
--

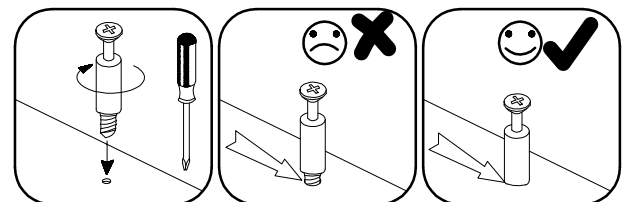


3

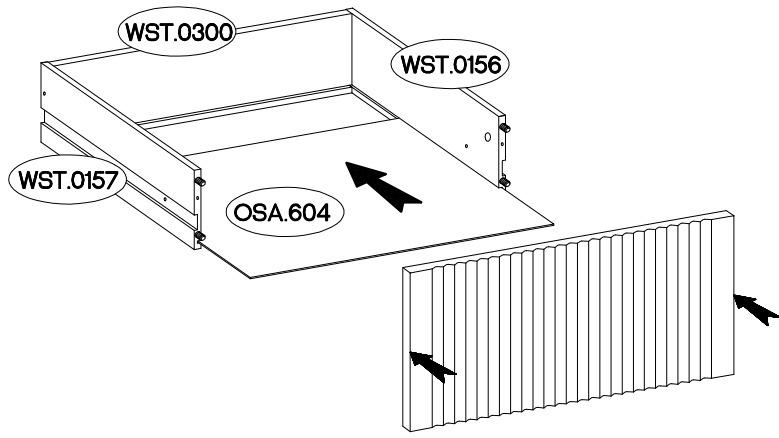
 L=20mm D2 4
--



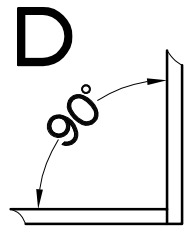
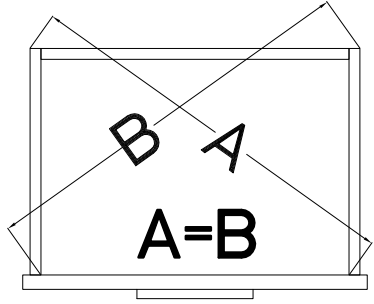
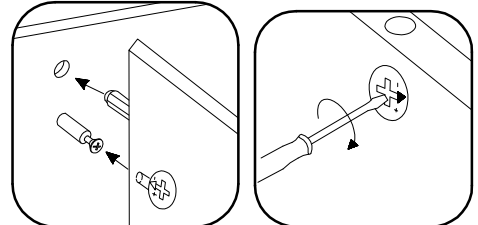
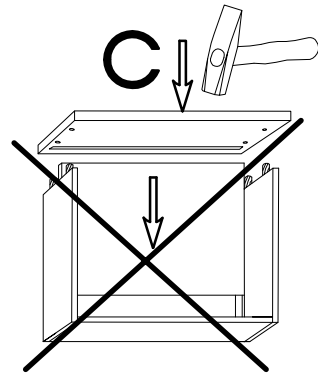
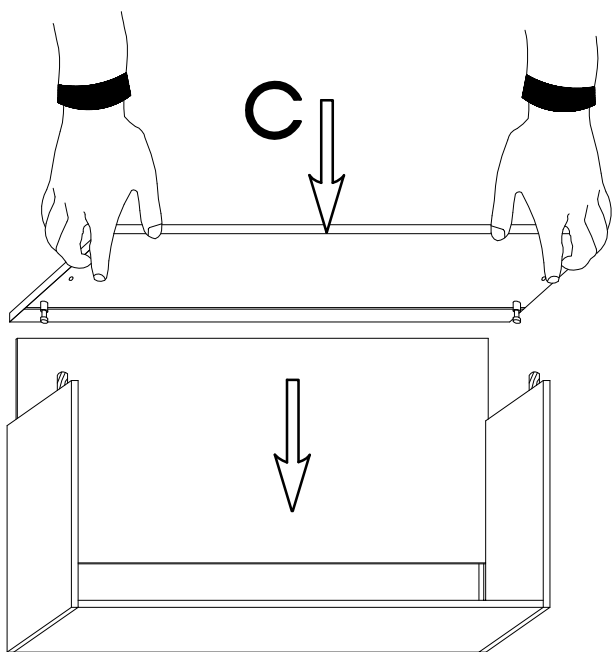
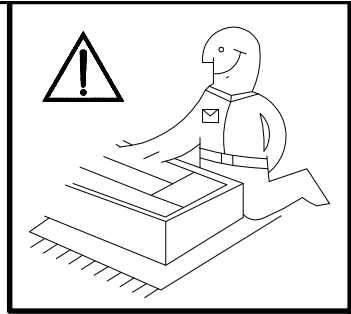
x2



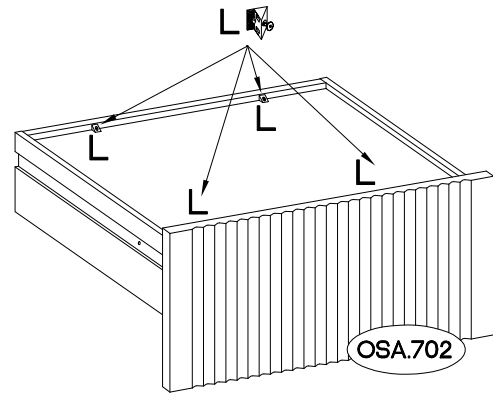
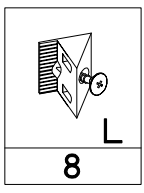
4



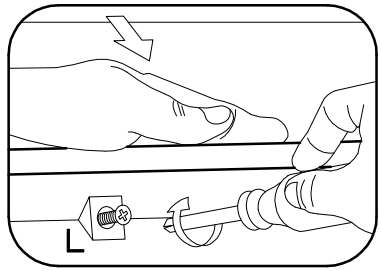
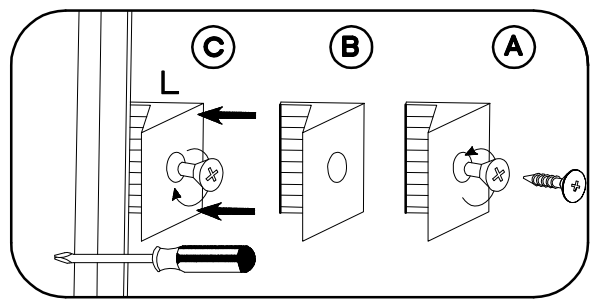
x2

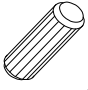

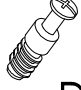
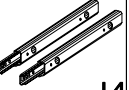





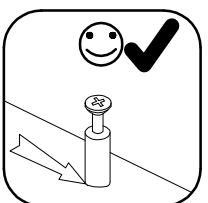
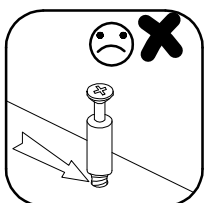
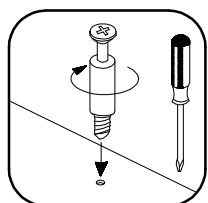
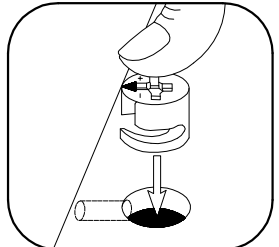
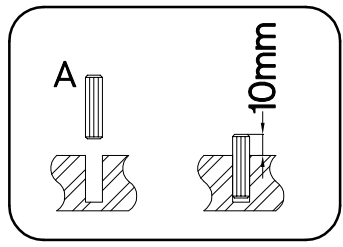
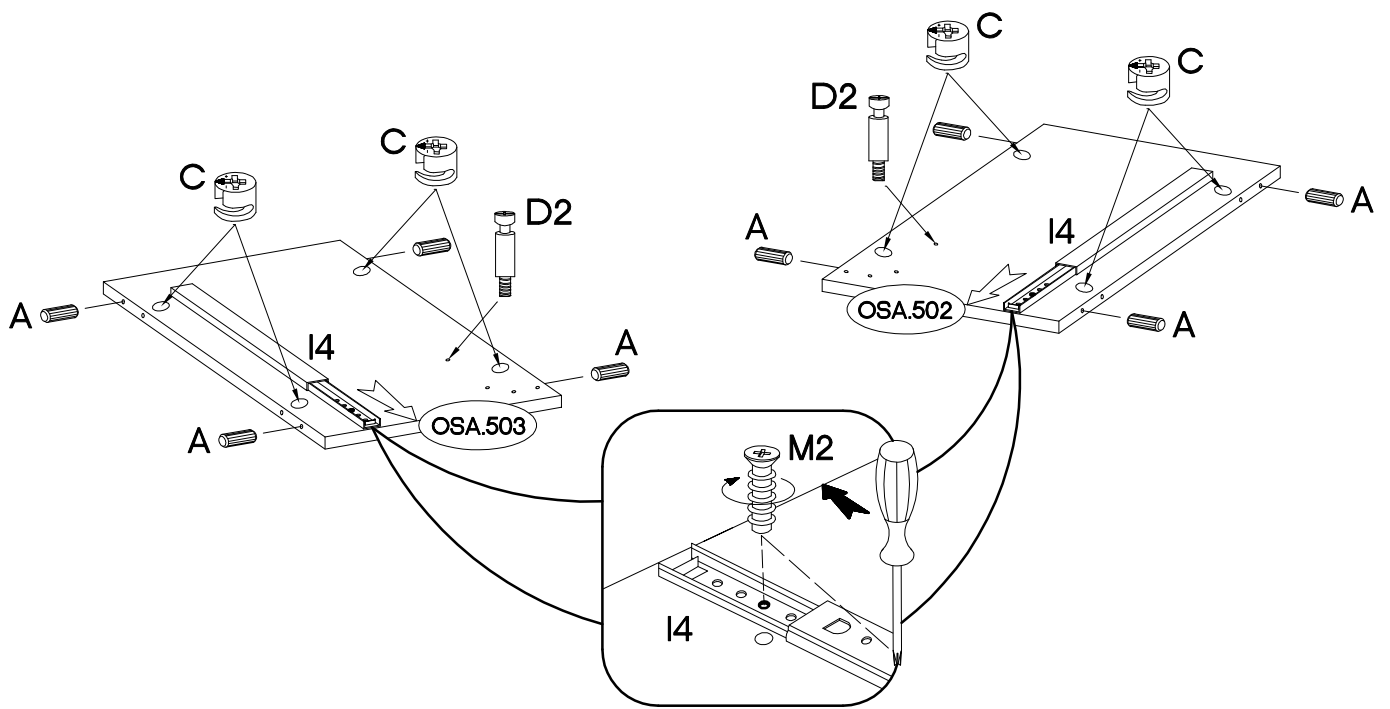
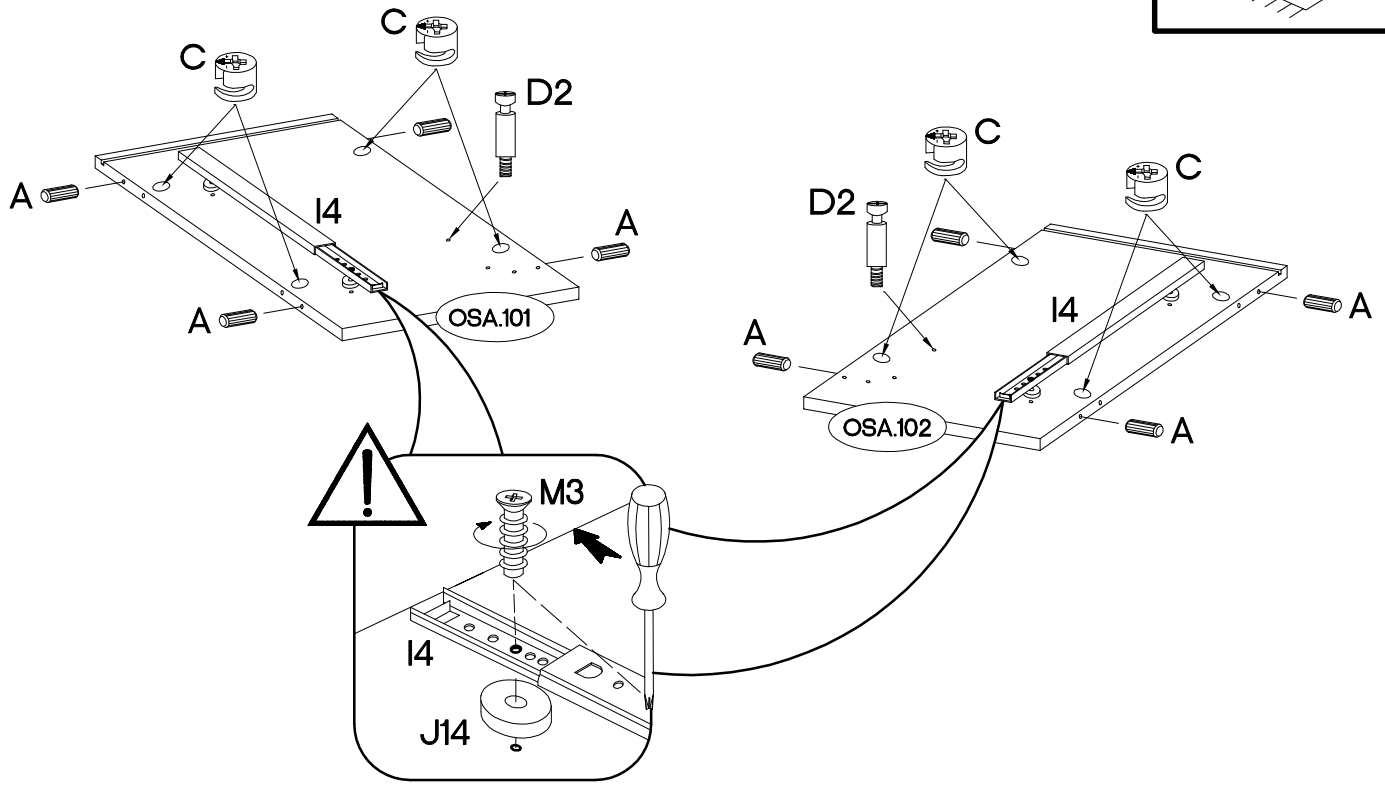
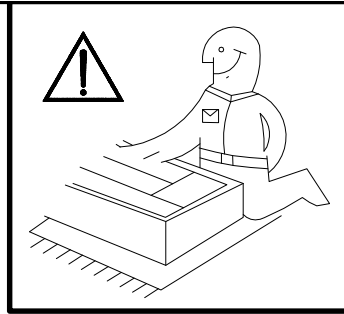
5



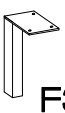


x2

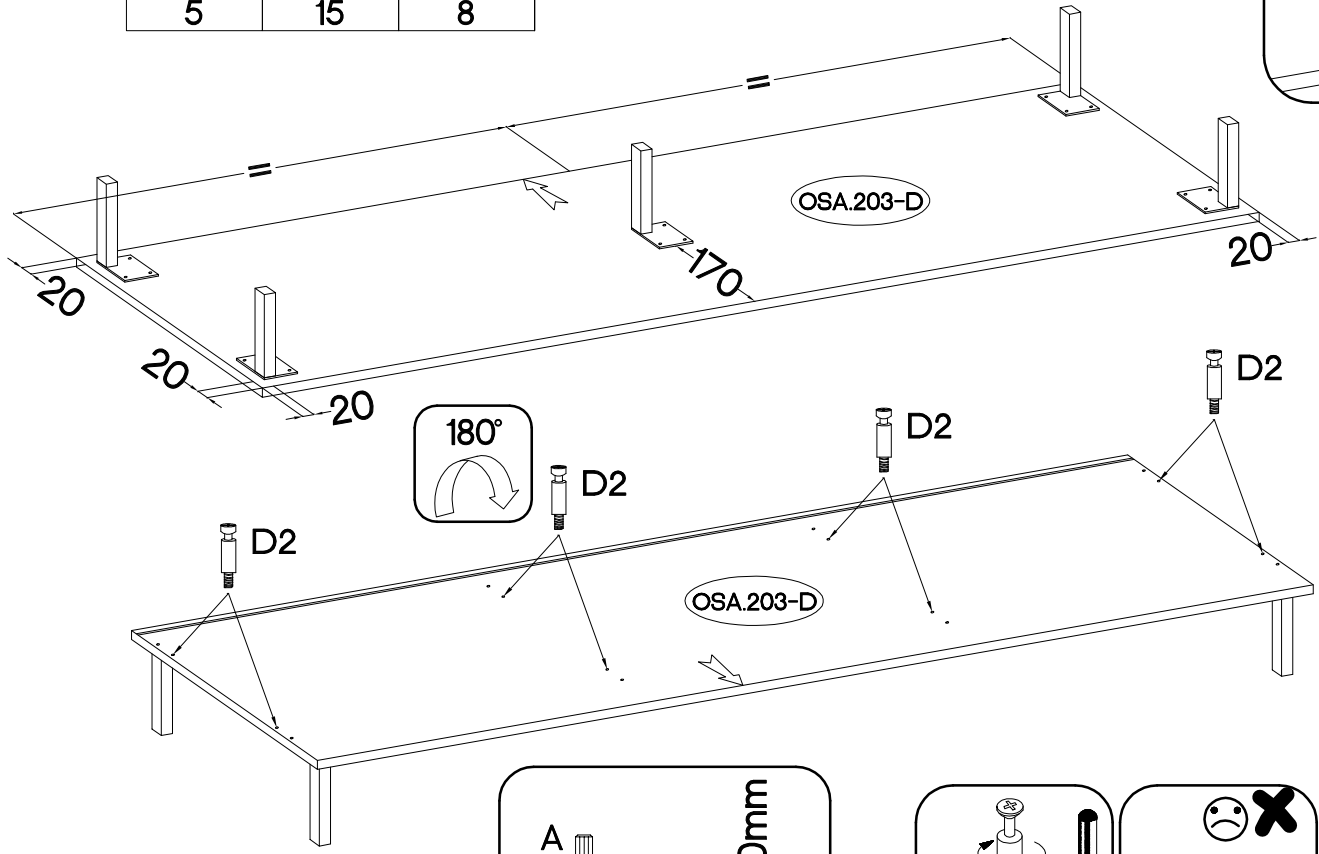
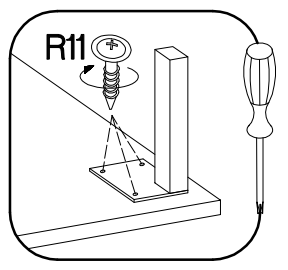


+8x30mm	+15/12mm	L=20mm	27/310mm	+6,3x13mm	+6.3x20mm	+20/8mm
						
A	C	D2	I4	M2	M3	J14
16	16	4	2	4	4	4

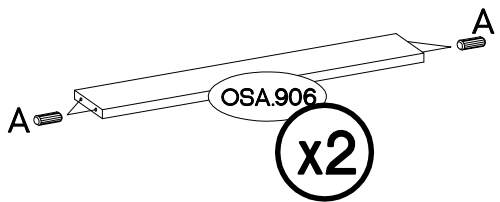
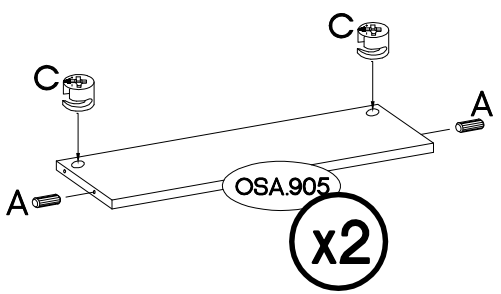
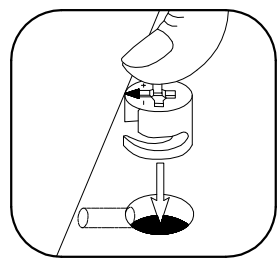
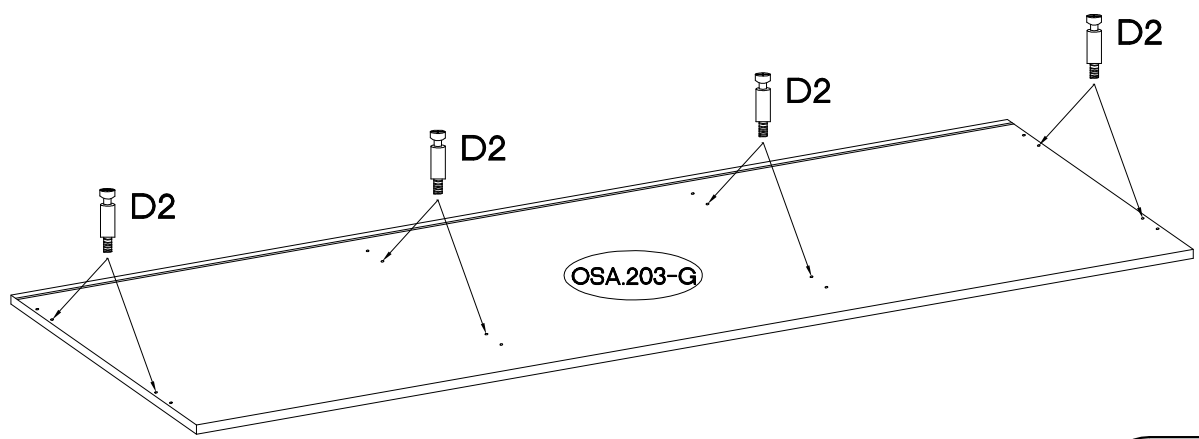
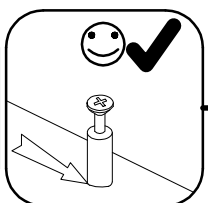
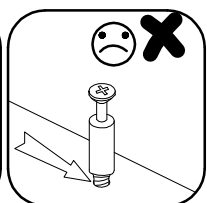
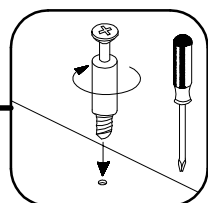
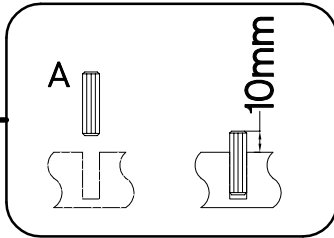


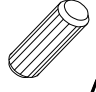


7

L=150mm  F34 5	4.0x16mm  R11 15	L=20mm  D2 8
---	---	---

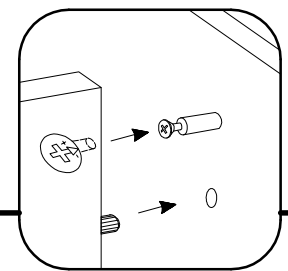
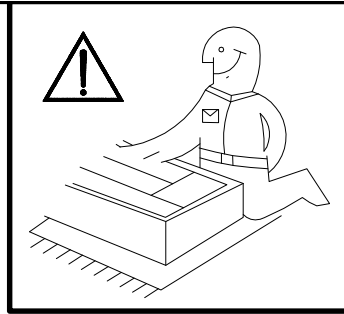
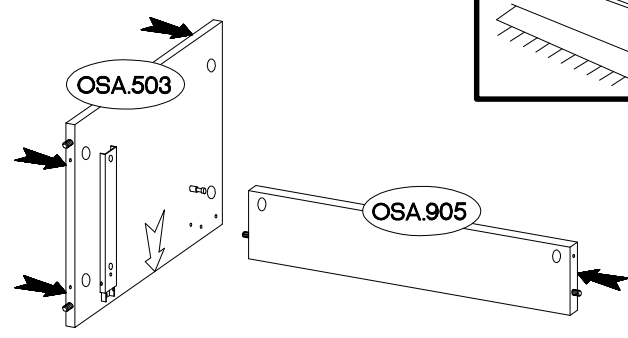
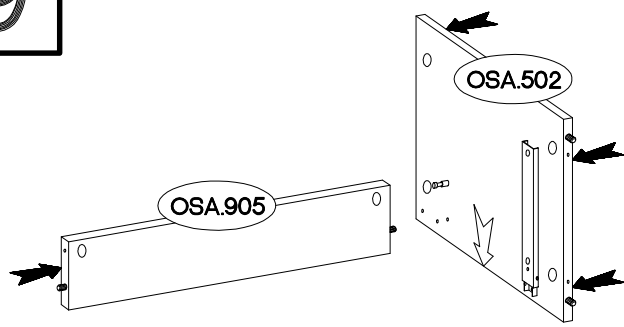


8

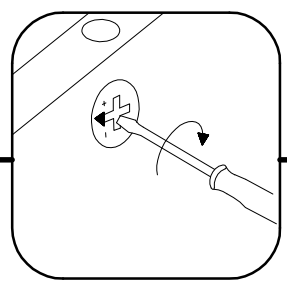
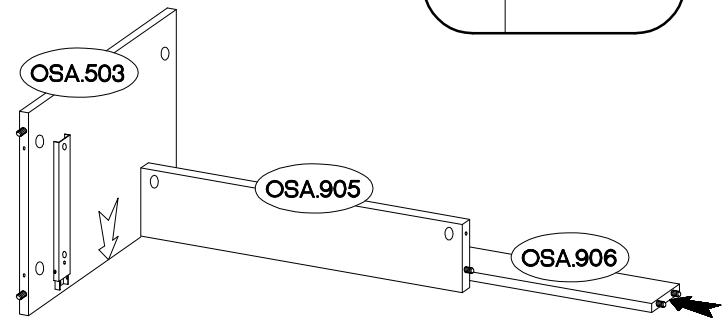
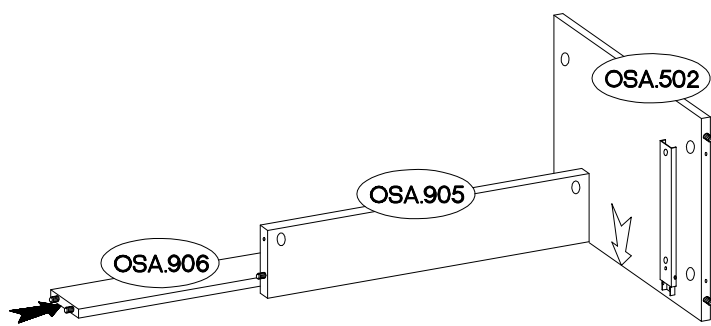


†8x30mm  A 12	†15/12mm  C 4	L=20mm  D2 8
---	---	--

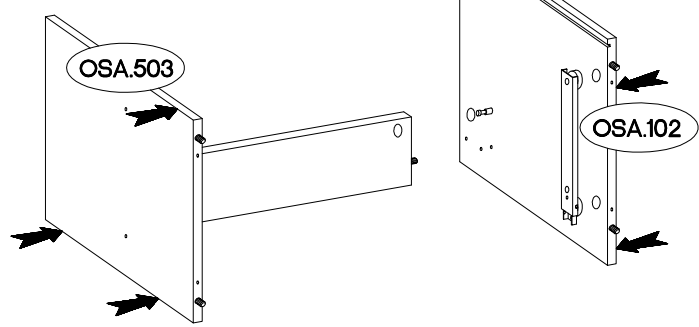
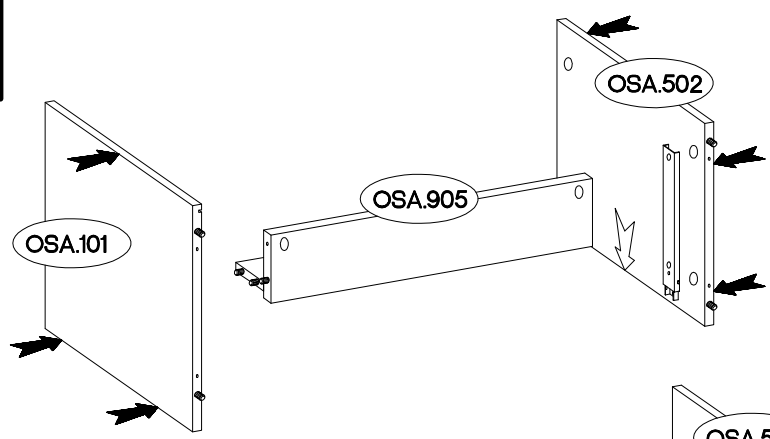
9

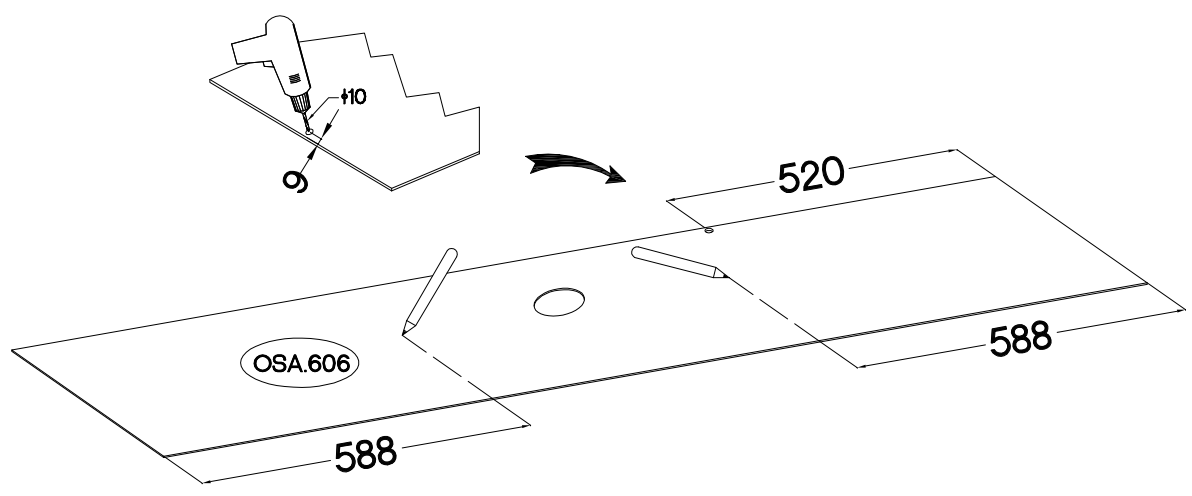
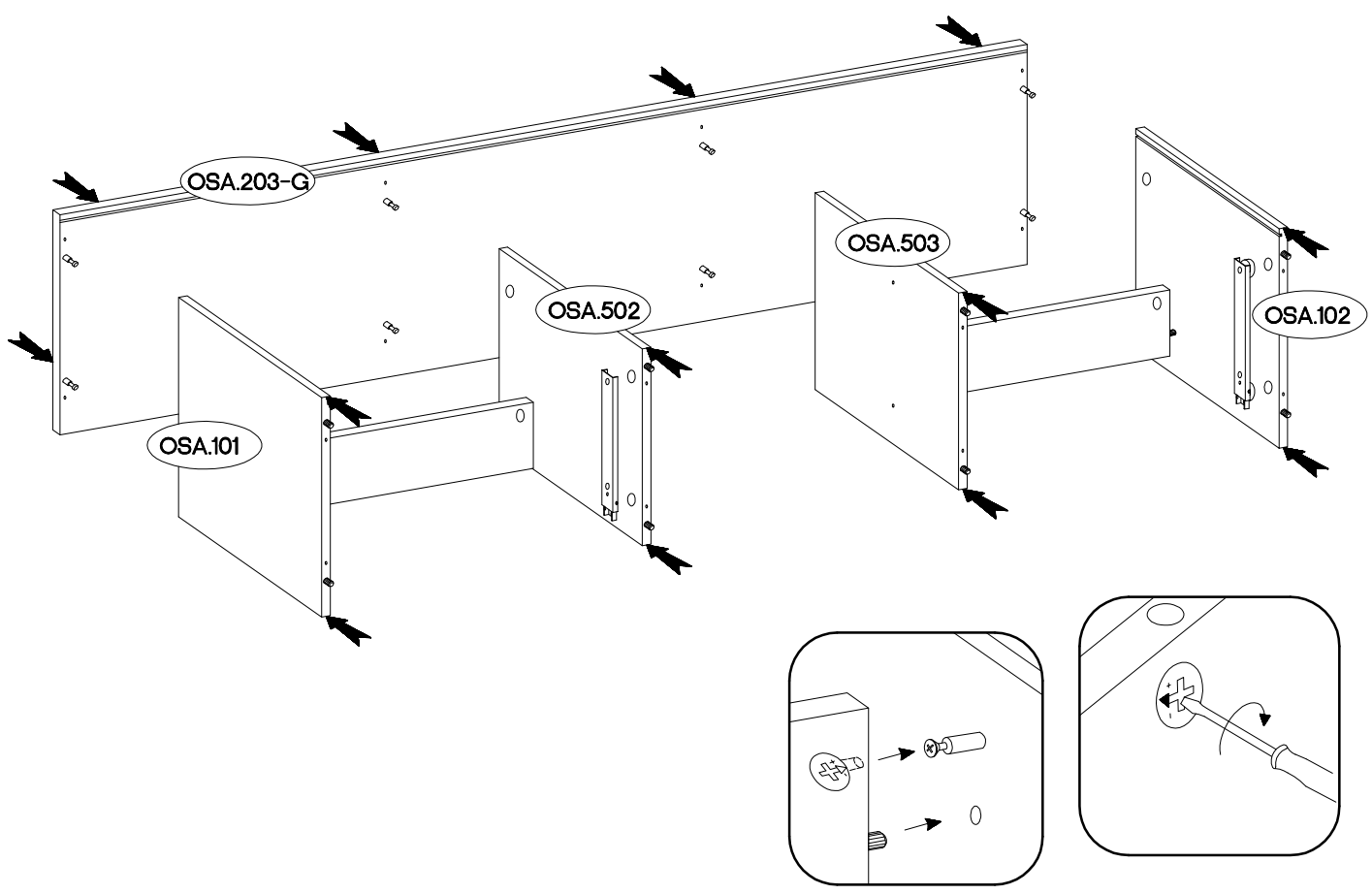



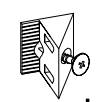
10

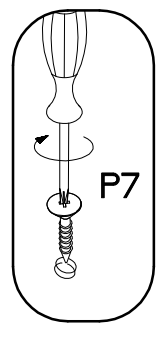
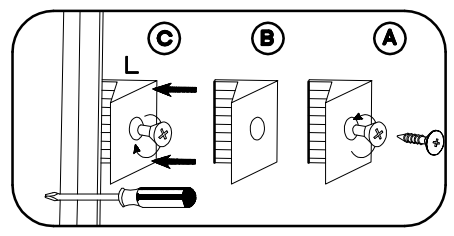
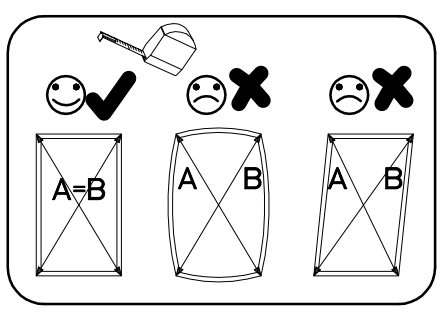
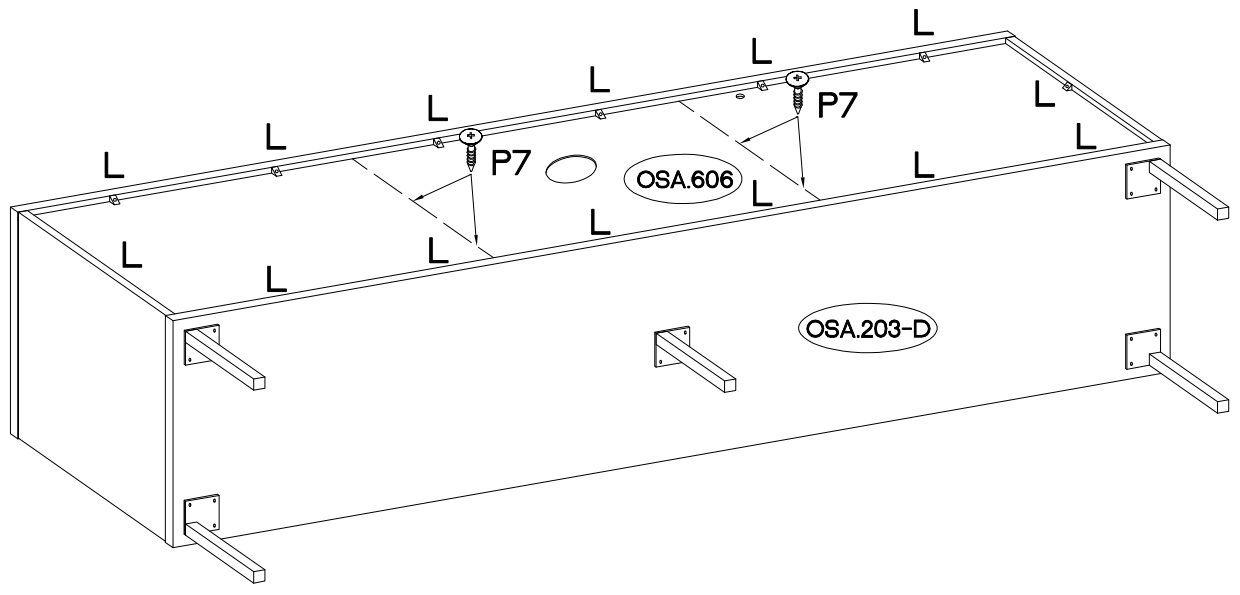
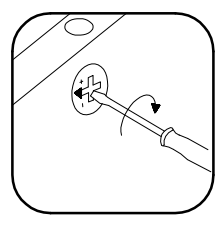
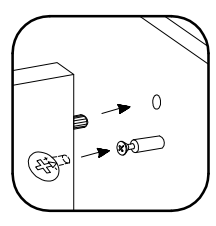
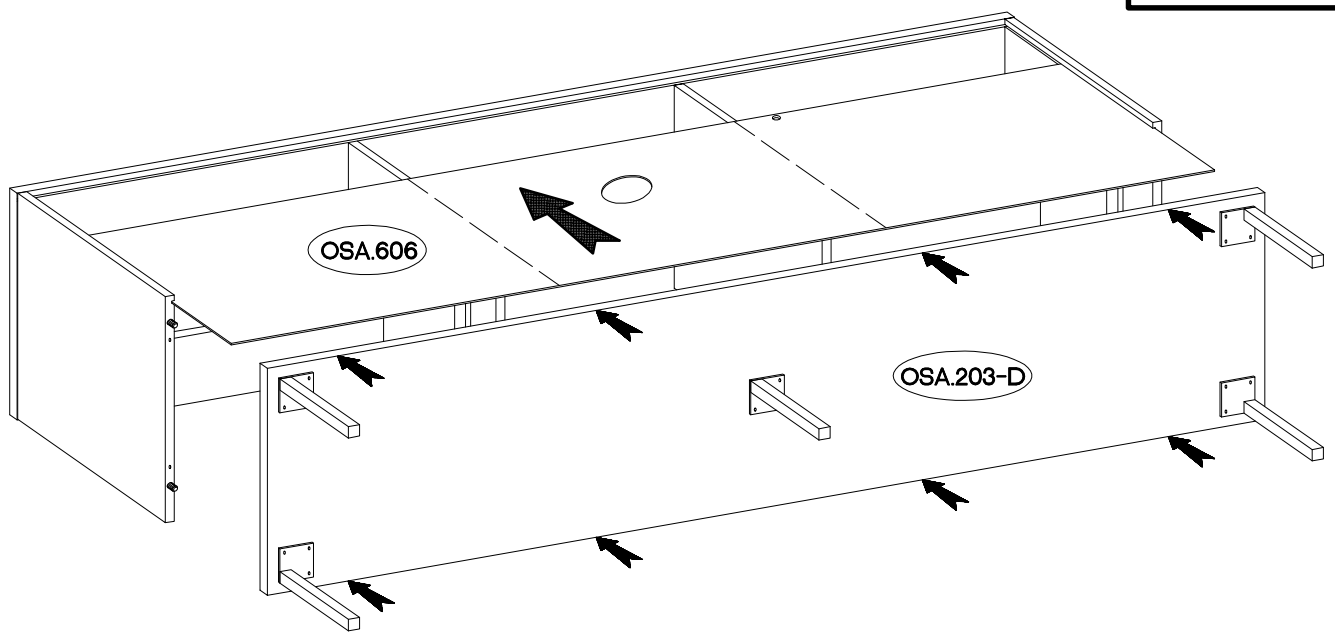
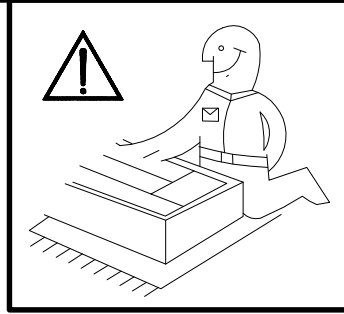





11

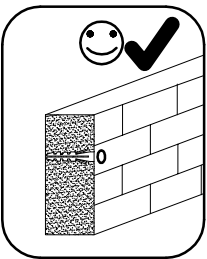
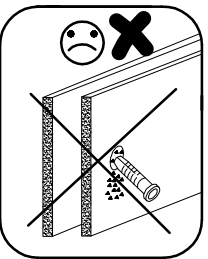
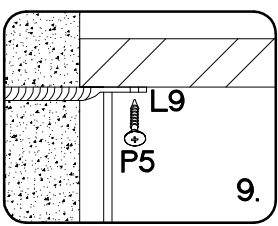
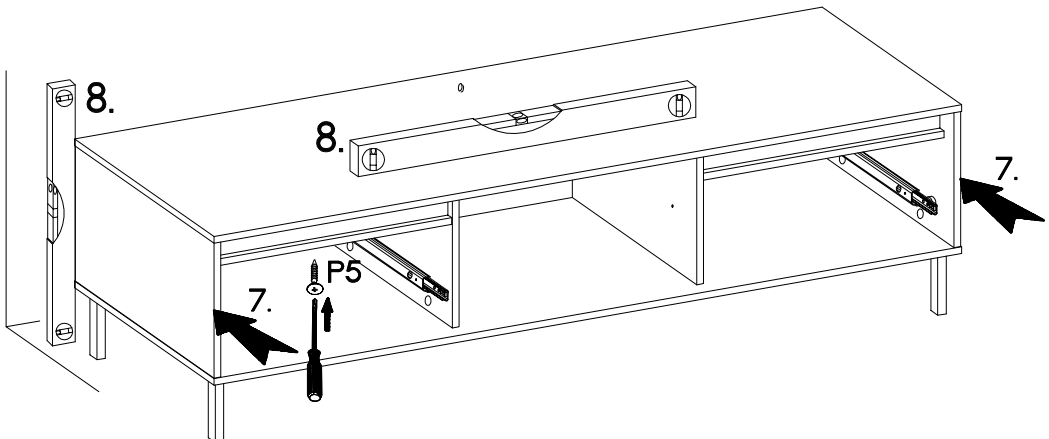
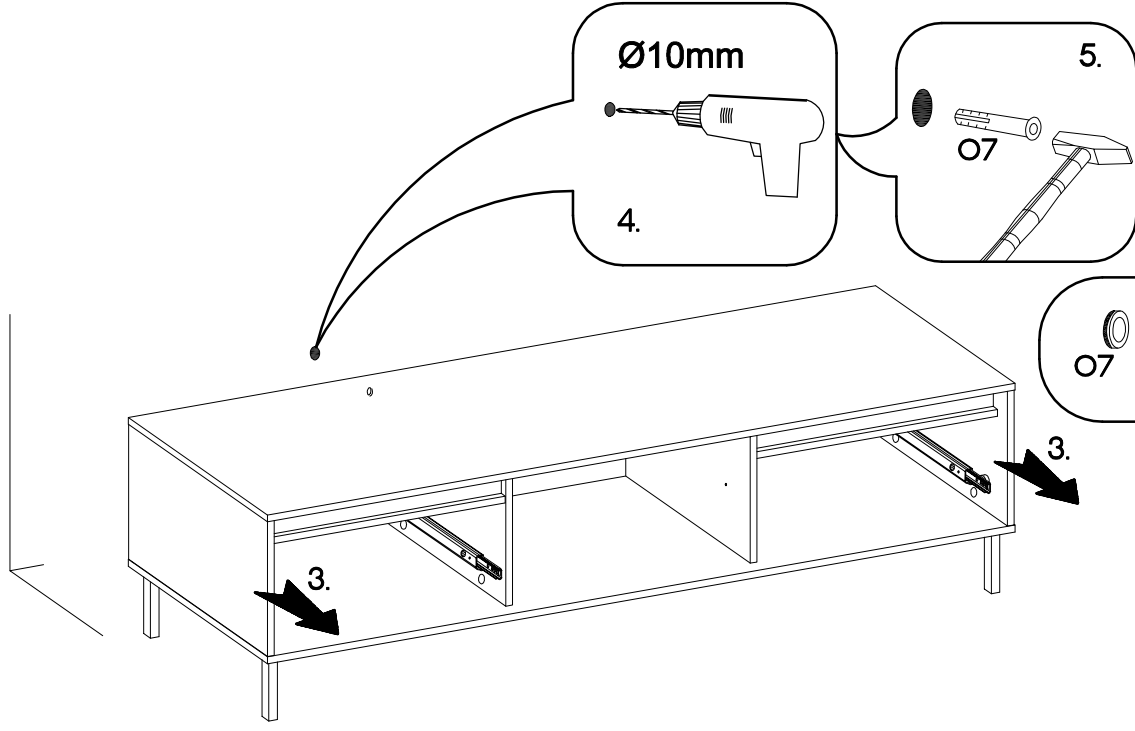
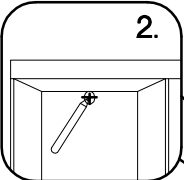
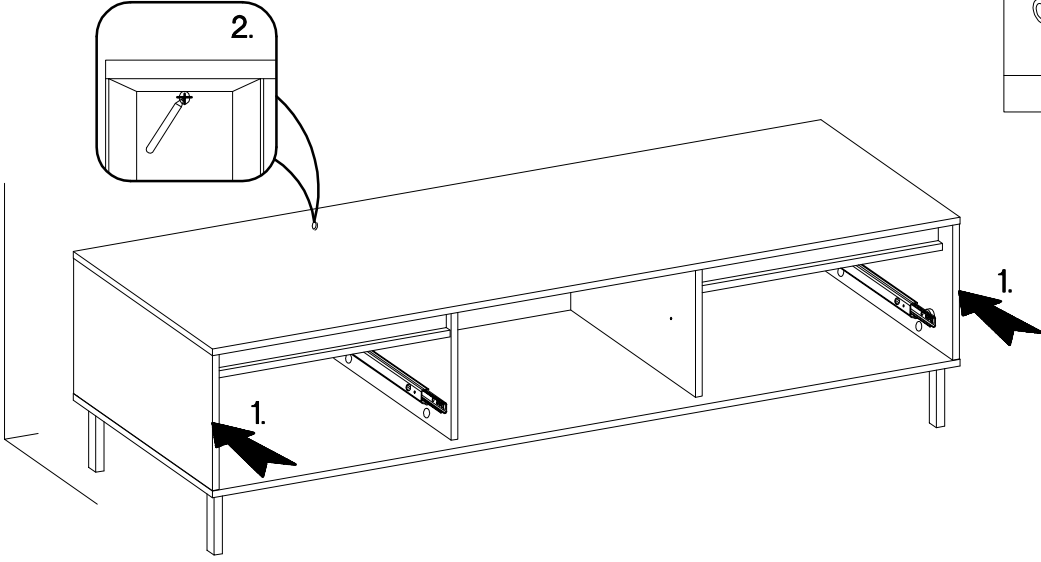




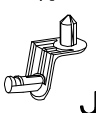
$\pm 3.0 \times 20 \text{mm}$  P7 4	 L 14
--	---

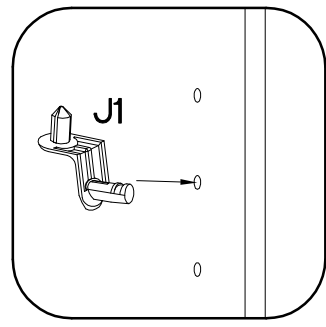
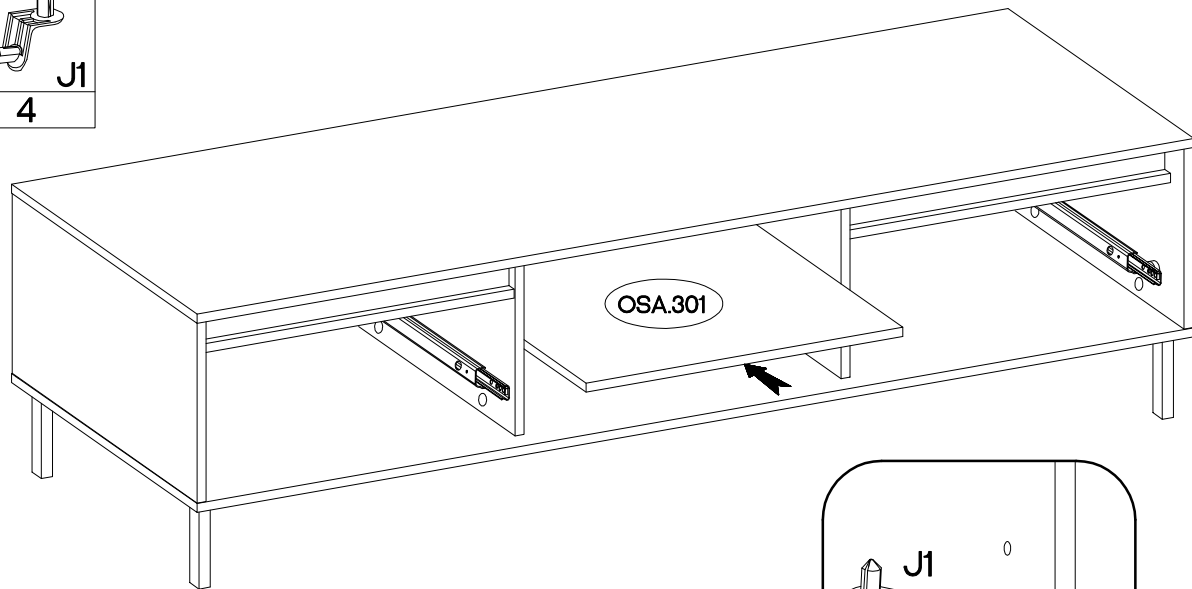


$\pm 10 \times 50 \text{mm}$ 		$\pm 3.5 \times 13 \text{mm}$ 
O7	L9	P5
1	1	1





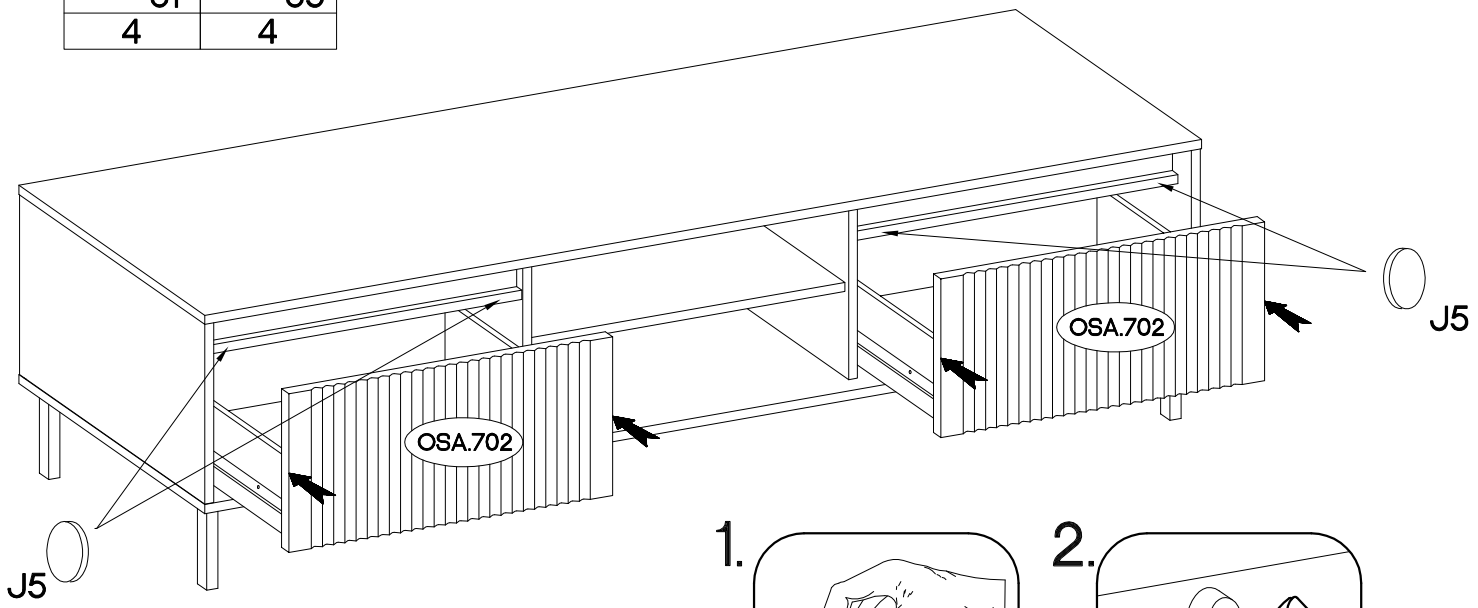
14

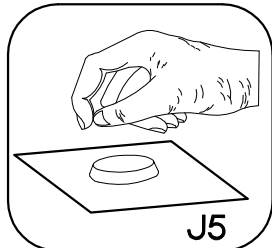
	+5
	J1
4	



18

M4x9mm	+7/2mm
	
U1	J5
4	4



- 
- 