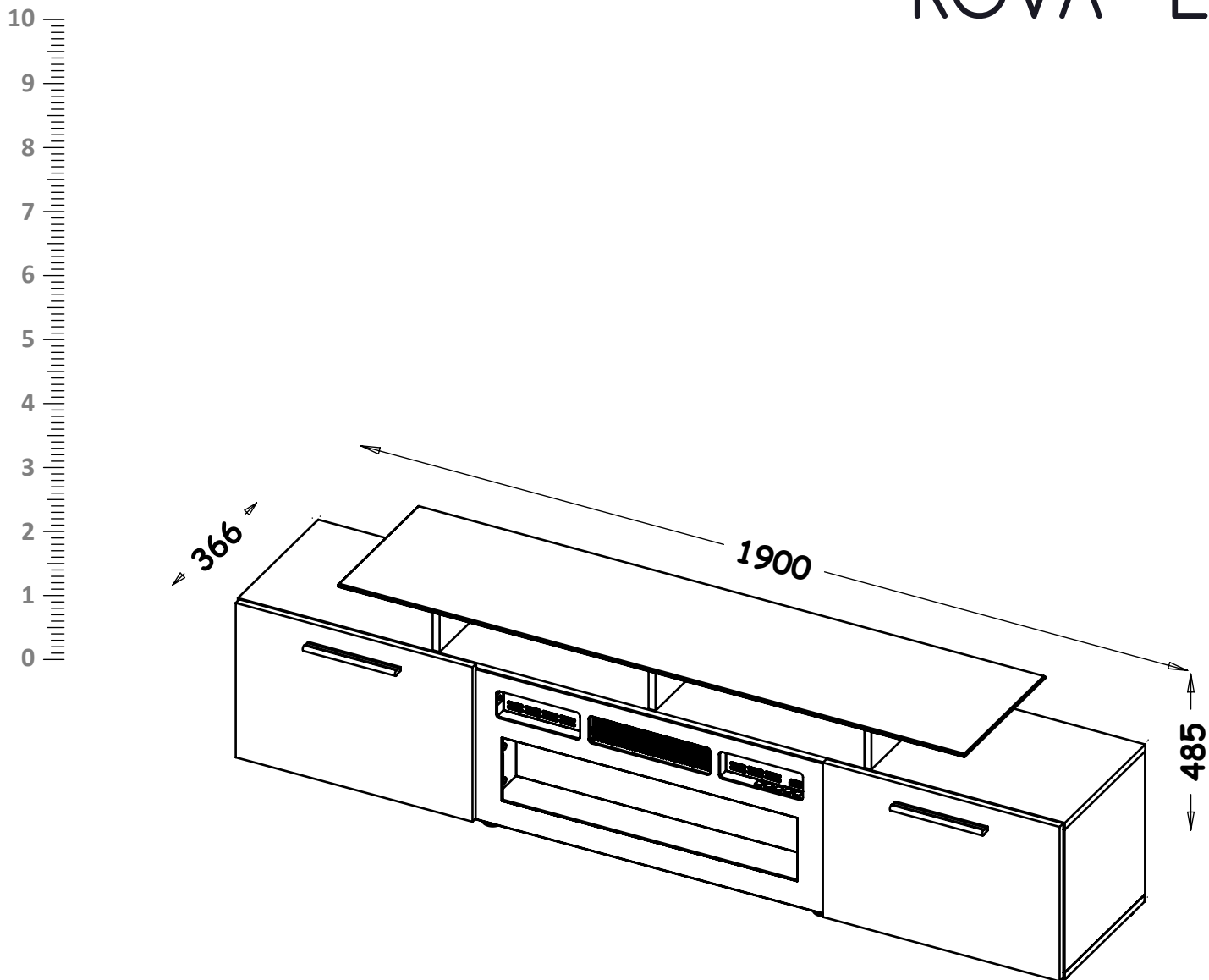
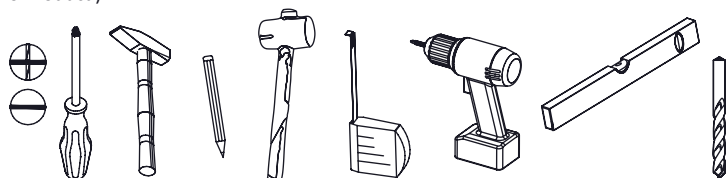


PL- Przed rozpoczęciem zapoznać się z instrukcją montażu/ DE- Vor die montage, bitte beiliegende anweisungen folgen/  
EN- Before starting, refer to the assembling advice in annex/ CZ- Před zahájením naleznete v montážním návodu/ HR- Prije početka, uzmite upute za montažu u prilogu/

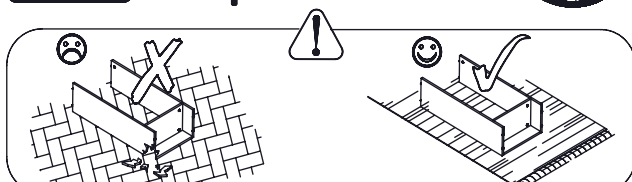
# ROVA - EF



PL- Narzędzia niezbędne do montażu (nie dostarczone przez producenta)/ DE- Für die Montage notwendige Werkzeuge (nicht vom Hersteller mitgeliefert)/ EN- Tools required for assembly (not provided by the manufacturer)/ CZ- Nástroje nezbytné pro montáž (nejsou dodávány výrobcem)/HR- Alat potreban za montažu (nije osiguran od strane proizvođača)



[ 1 ]



v 1.0

18.01.2021



**PL - UWAGA!**

W przypadku reklamacji prosimy o podanie numeru serii znajdującego się na kartonie. W związku z tym prosimy o zachowanie opakowań do momentu zmontowania mebla. W przypadku stwierdzenia uszkodzenia któregoś z elementów, prosimy nie montować modułu, którego częścią jest dany element.

**DE - HINWEIS!**

Im Falle einer Reklamation geben Sie bitte die Seriennummer, die sich auf der Verpackung befindet. Daher bitten wir Sie immer die Verpackung solange aufzubewahren, bis die Möbelstücke vollständig montiert sind. Sollten Schäden an Einzelteilen auftreten, bitte sehen Sie von der Montage des Moduls ab.

**EN - ATTENTION!**

In case of claim please give us series number which you can find on the box. Thereupon please keep the package until montage of furniture is done. In case verified damage any of elements, please do not mount module, which is a parts of particular element.

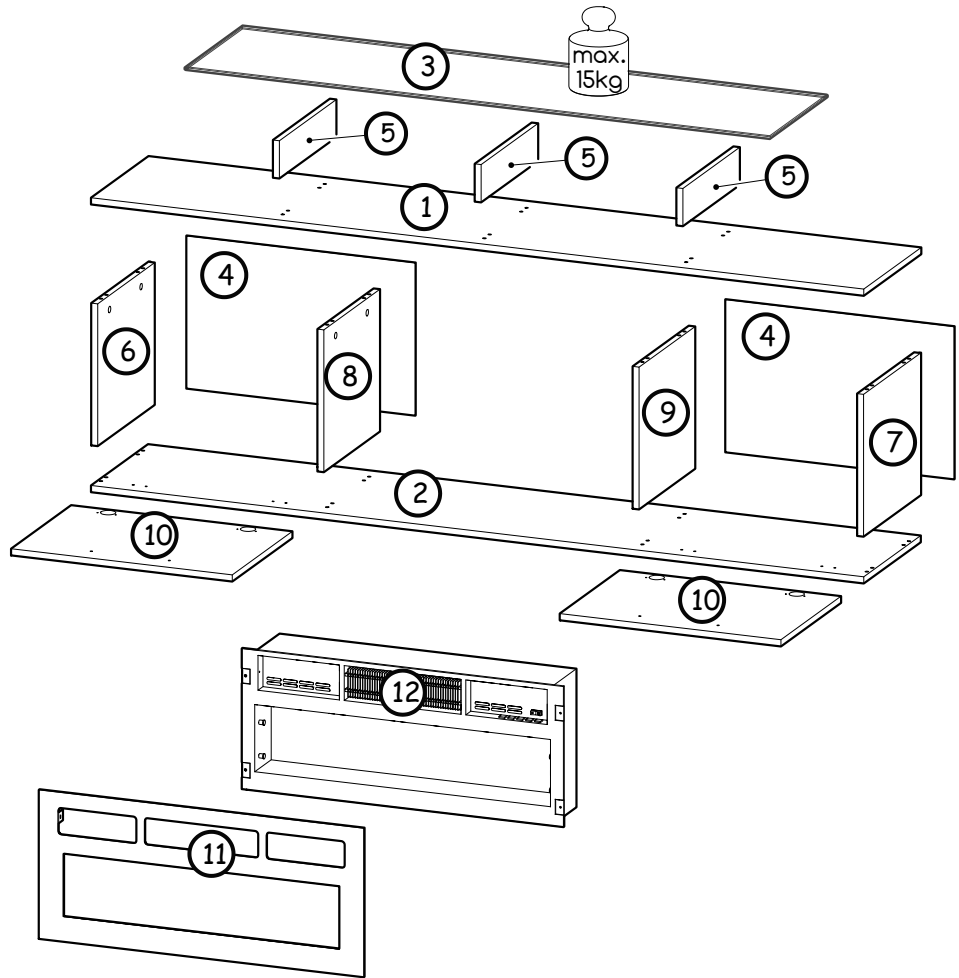
**CZ - POZOR!**





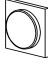





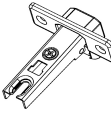

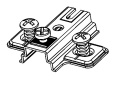
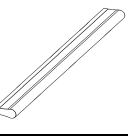

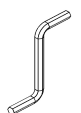

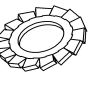

Při reklamaci prosíme o uvedení čísla šarže, které se nachází na obale. V souvislosti s tímto prosíme o uchování obalů do okamžiku složení nábytku. V případě poškození některého z dílů, prosíme neskládat model, jehož součástí poškozený díl je.

**HR - PAŽNJA!**

U slučaju reklamacije, molimo Vas da nam date serijski broj koji možete pronaći na ambalaži. Molimo Vas da zadržite ambalažu sve dok nije kompletna montaža proizvoda. Ukoliko je uočeno oštećenje bilo kojeg elementa, molim Vas da ne montirate oštećeni dio.

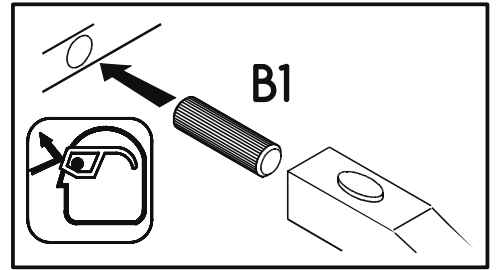
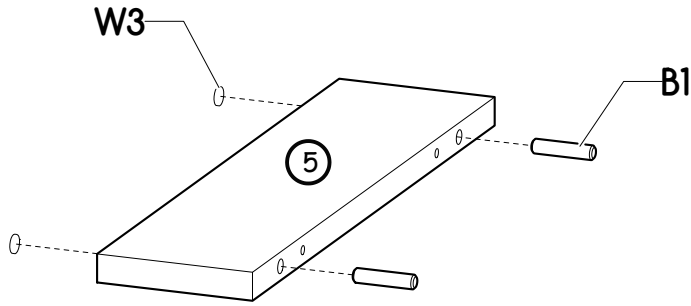
Nr	Xmm	Ymm	Zmm	x
1	1900	350	16	1
2	1900	347	16	1
3	1440	350	8	1
4	563	364	2,5	2
5	90	347	16	3
6	339	350	16	1
7	339	350	16	1
8	339	342	16	1
9	339	342	16	1
10	366	544	16	2
11				1
12				1



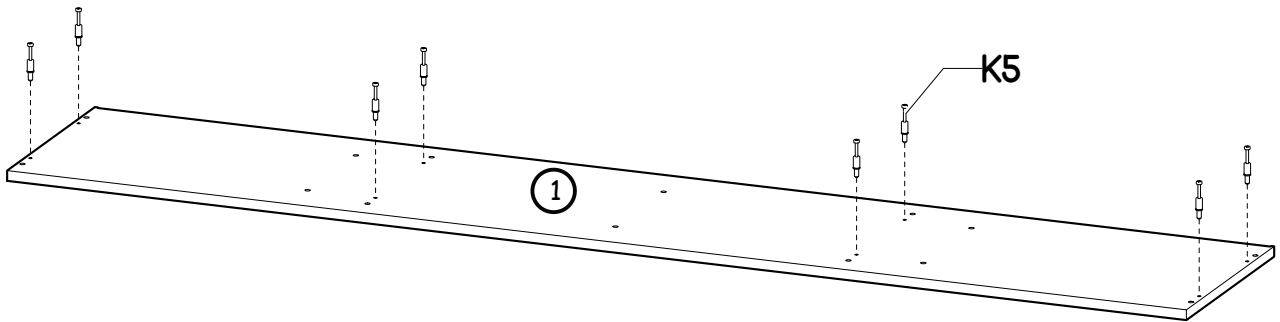
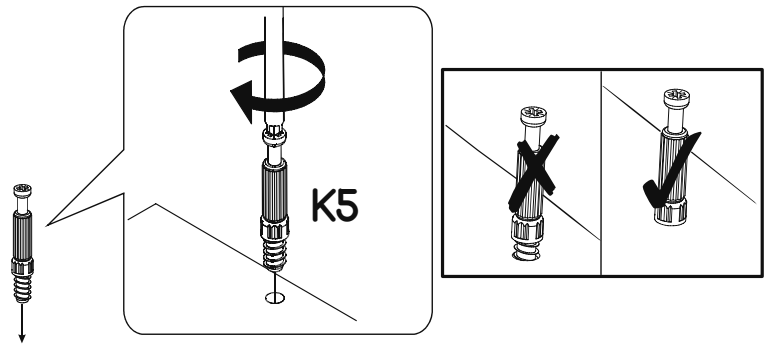
<b>G12</b>  8x 4x25	<b>P19</b>  8x Ø44x15	<b>A1</b>  14x Ø7x50	<b>I12</b>  4x Ø4/Ø11	<b>W3</b>  6x	<b>W4</b>  40x
<b>B1</b>  22x Ø8x35	<b>K1</b>  8x Ø15x12	<b>K5</b>  8x 34mm	<b>I20</b>  4x Ø4/Ø17	<b>C3</b>  4x Z35PR	<b>G5</b>  8x 4x13
<b>D3</b>  4x PZ35PR	<b>E21</b>  2x R192	<b>G16</b>  4x Ø4x27	<b>W2</b>  1x 4mm	<b>G49</b>  4x 3,5x25	<b>S25</b>  2x 4,3-8
<b>G53</b>  2x Ø4x10					

I

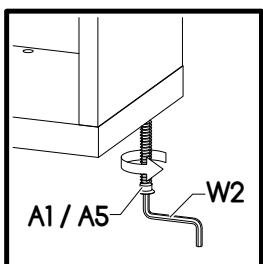
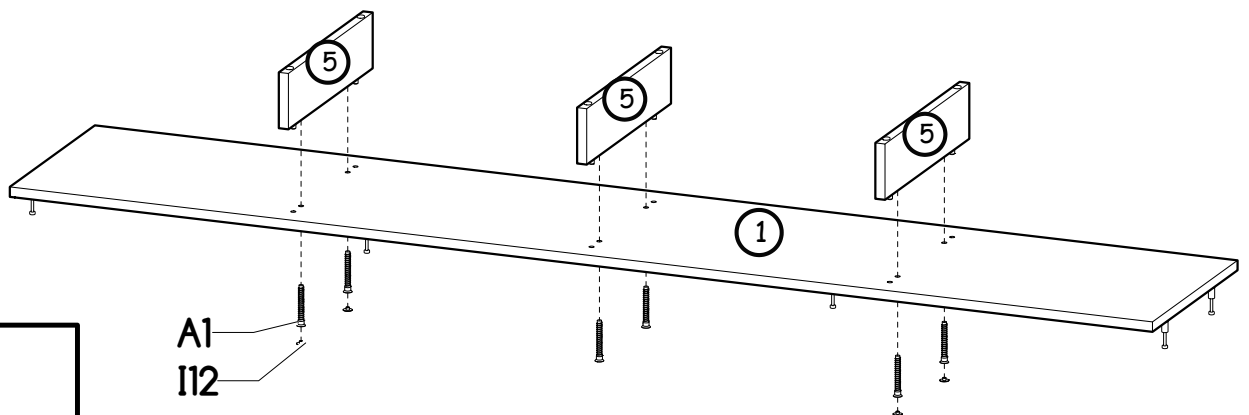
x3



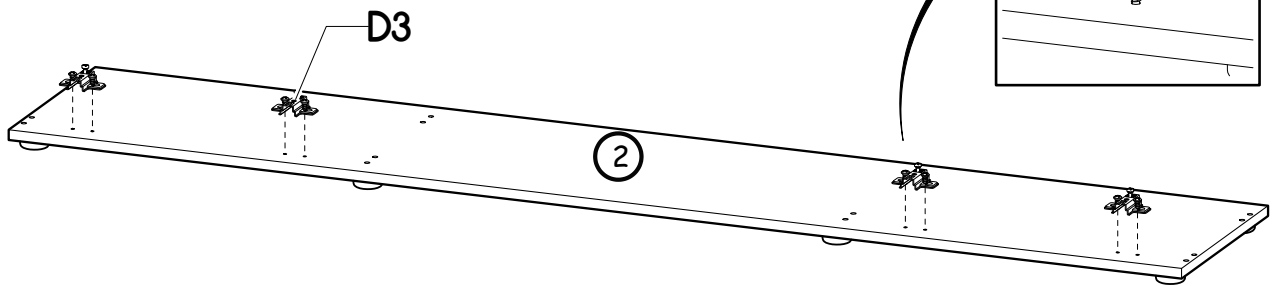
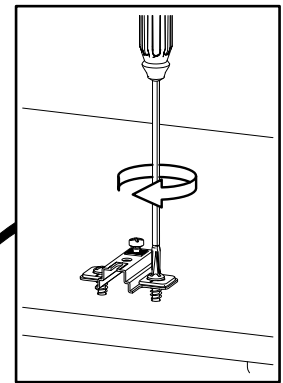
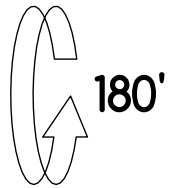
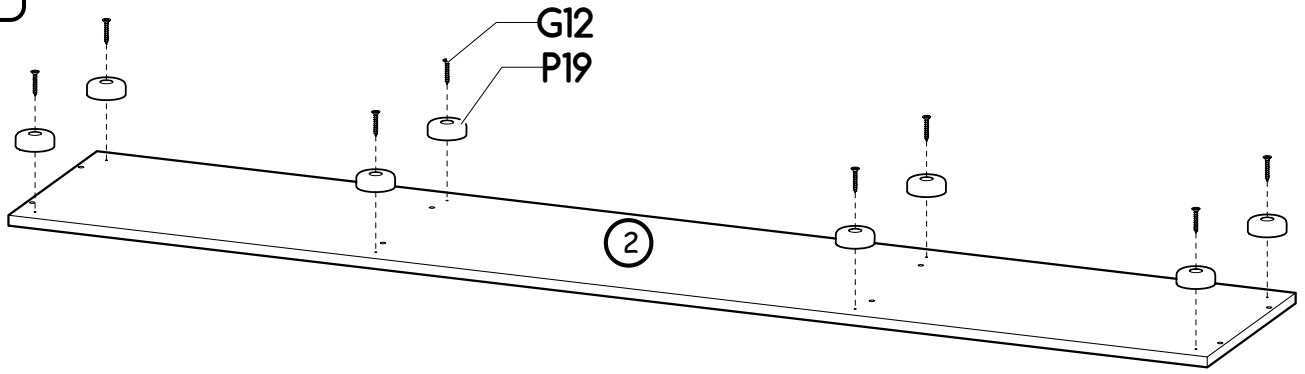
II



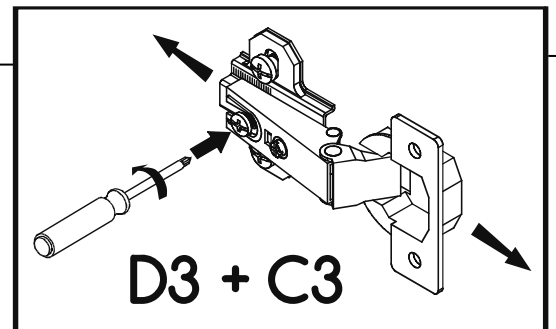
III



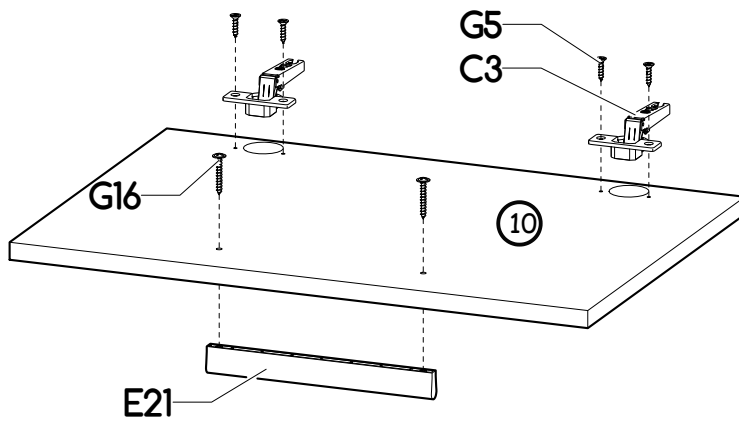
IV



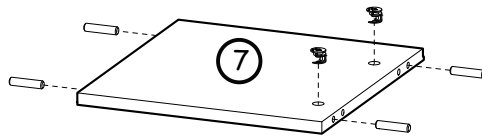
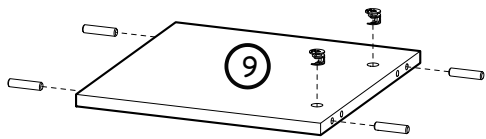
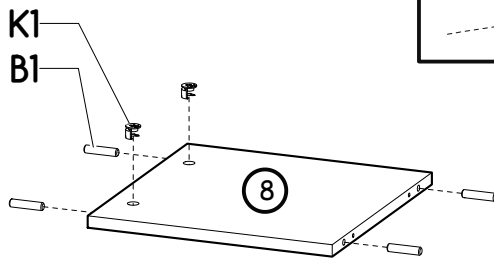
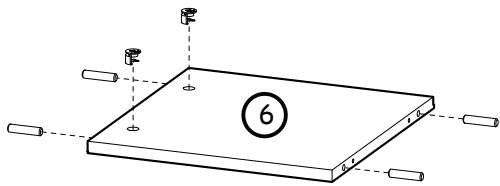
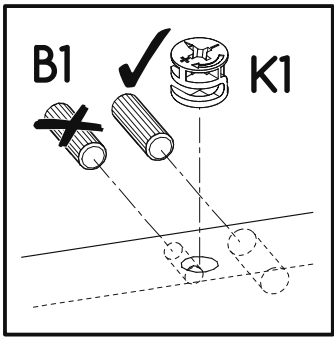
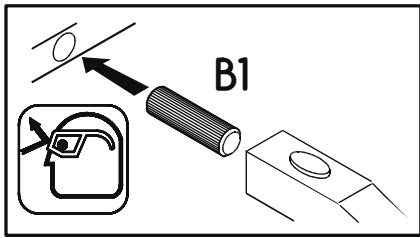
V



x2

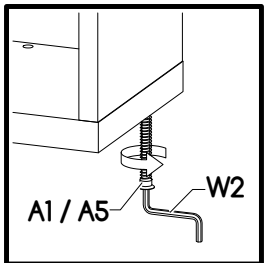
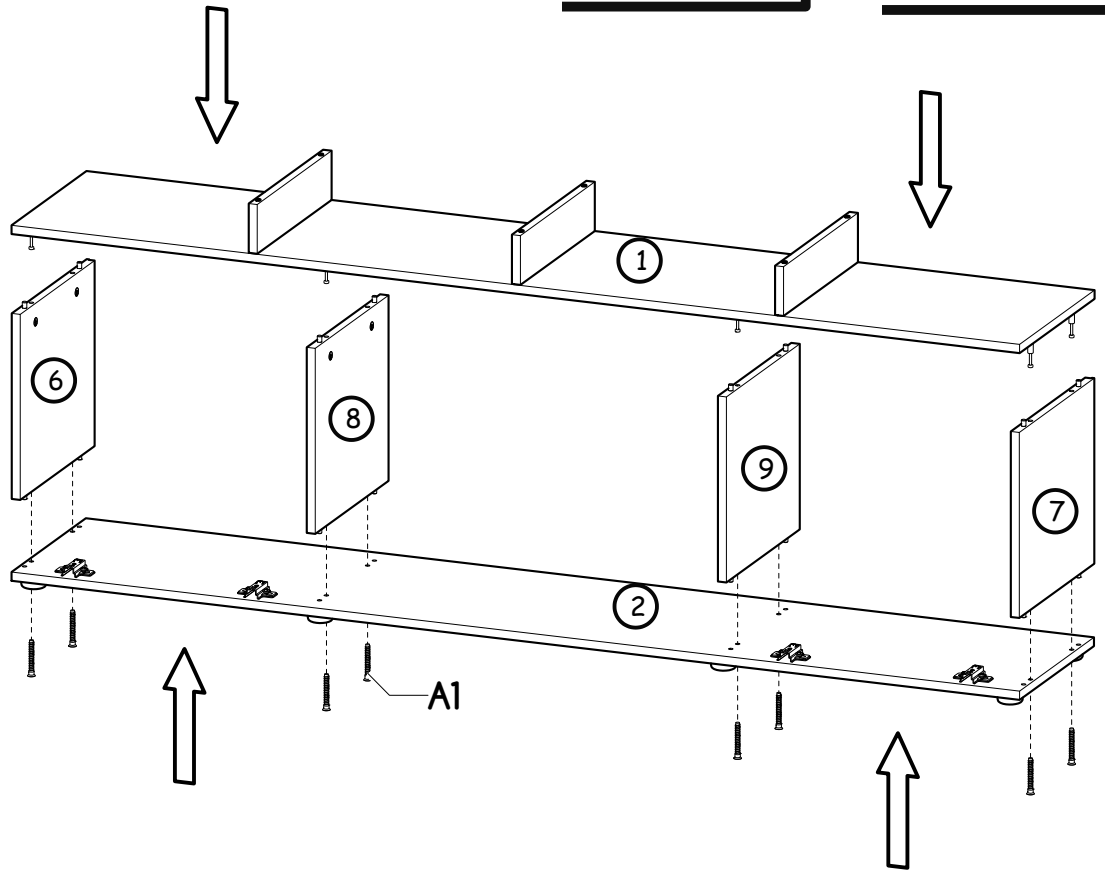
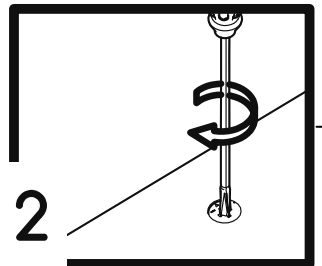
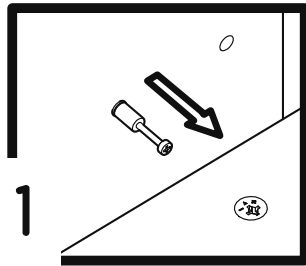


VI

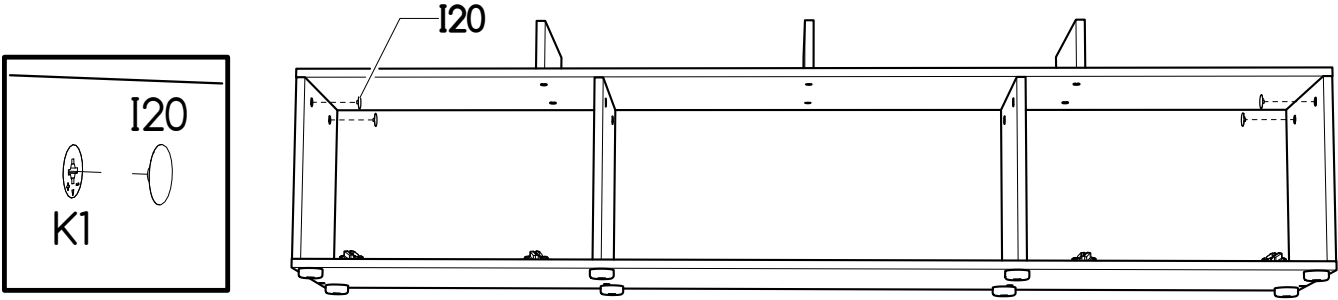


VII

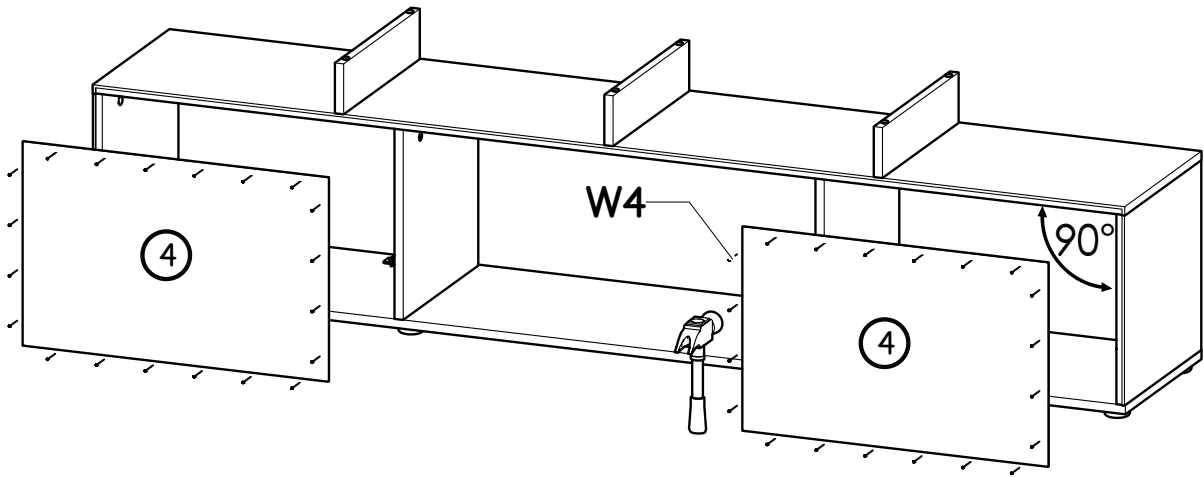
*i*



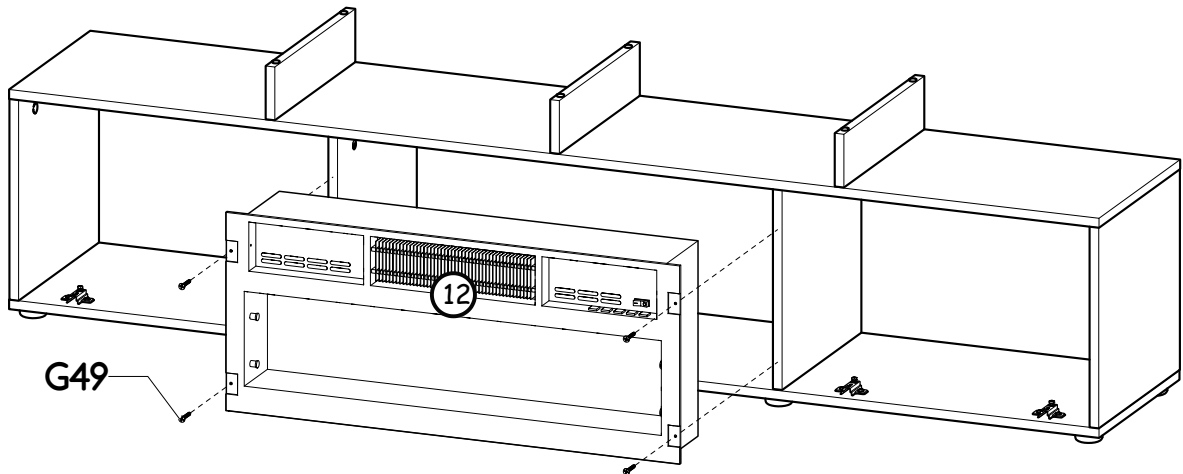
VIII



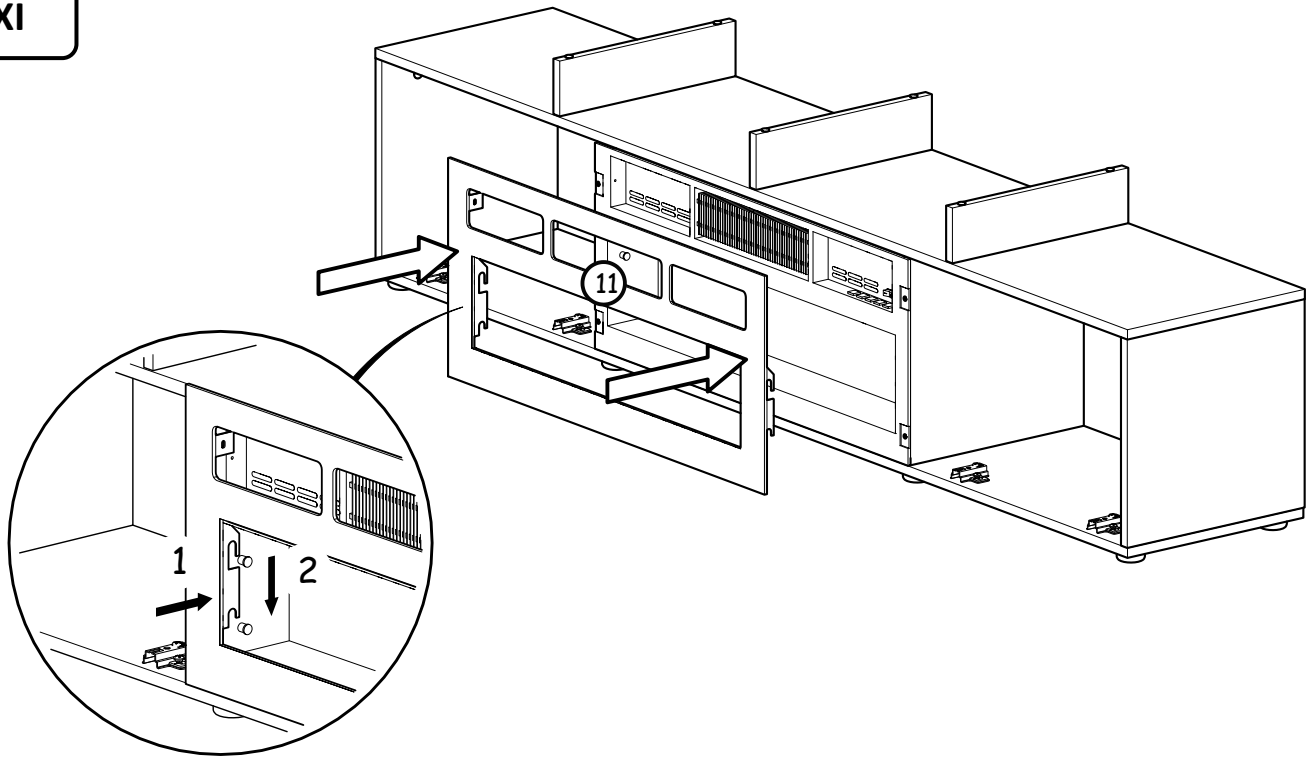
IX



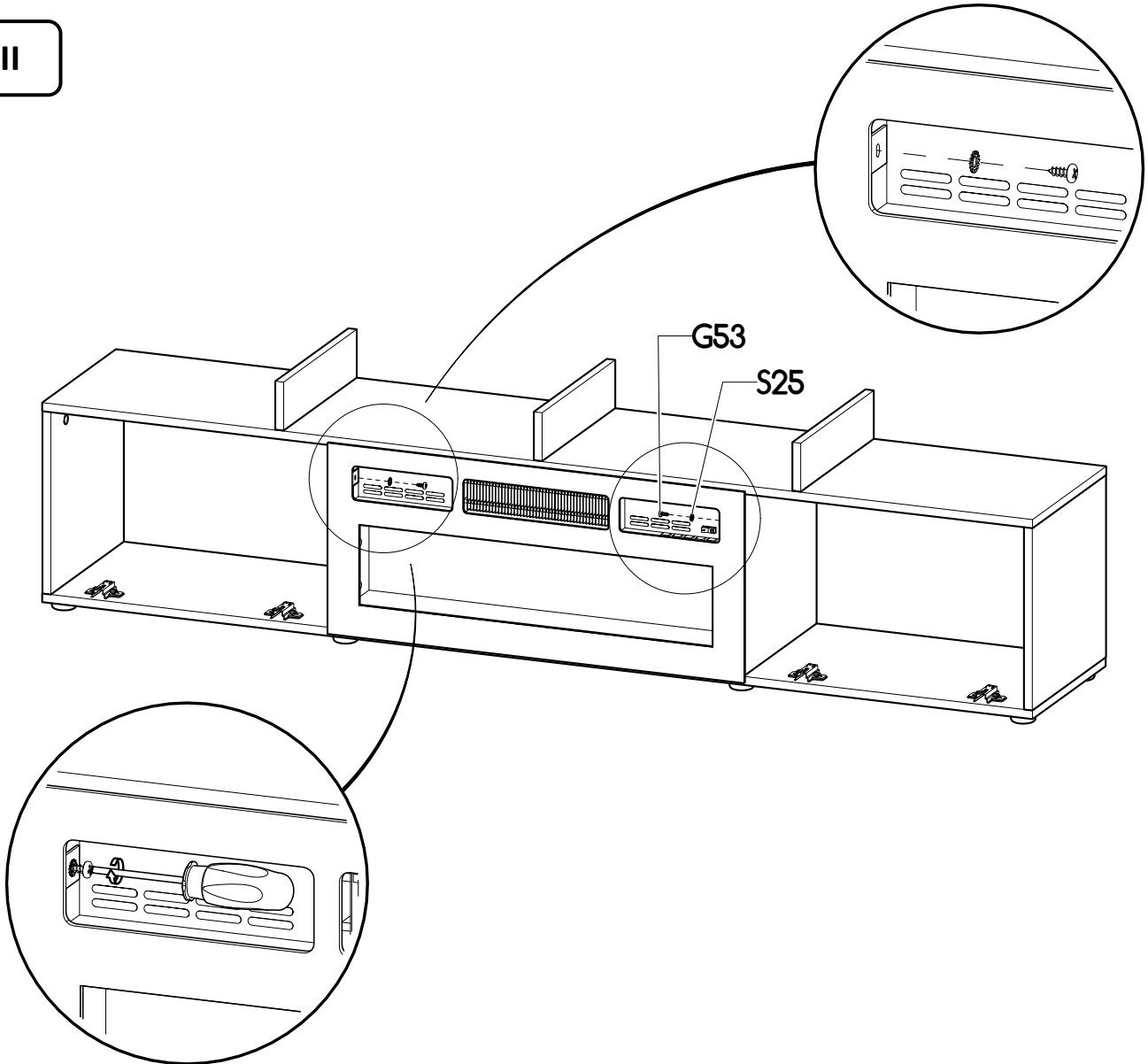
X



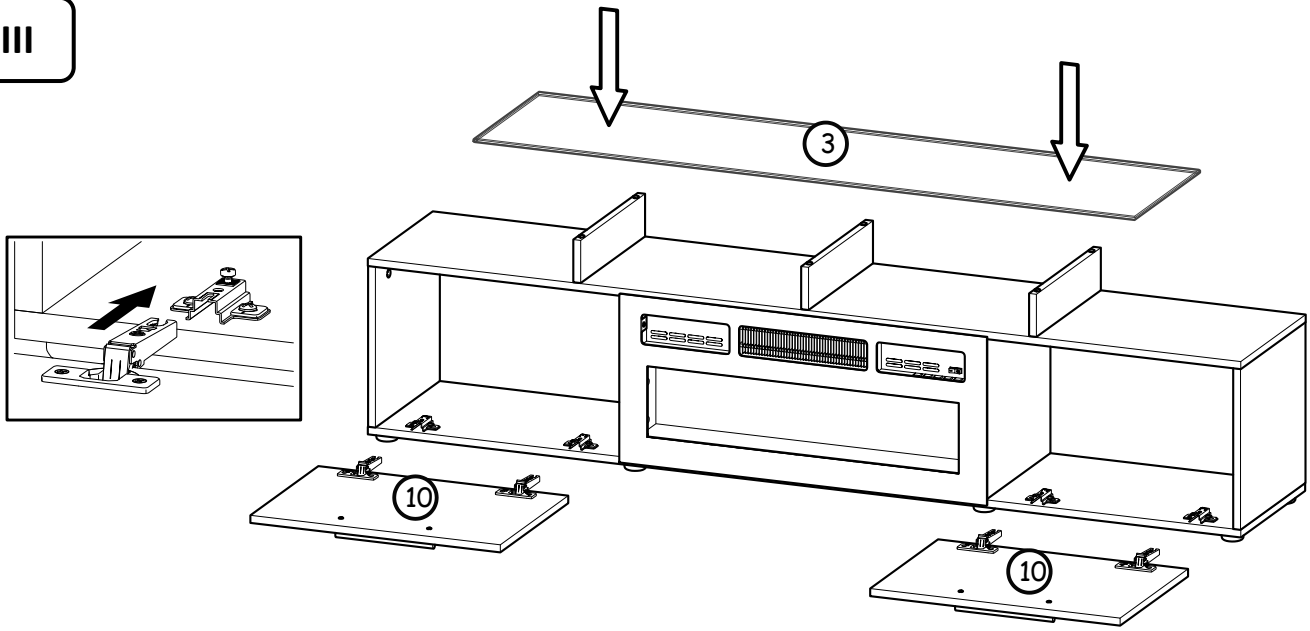
XI



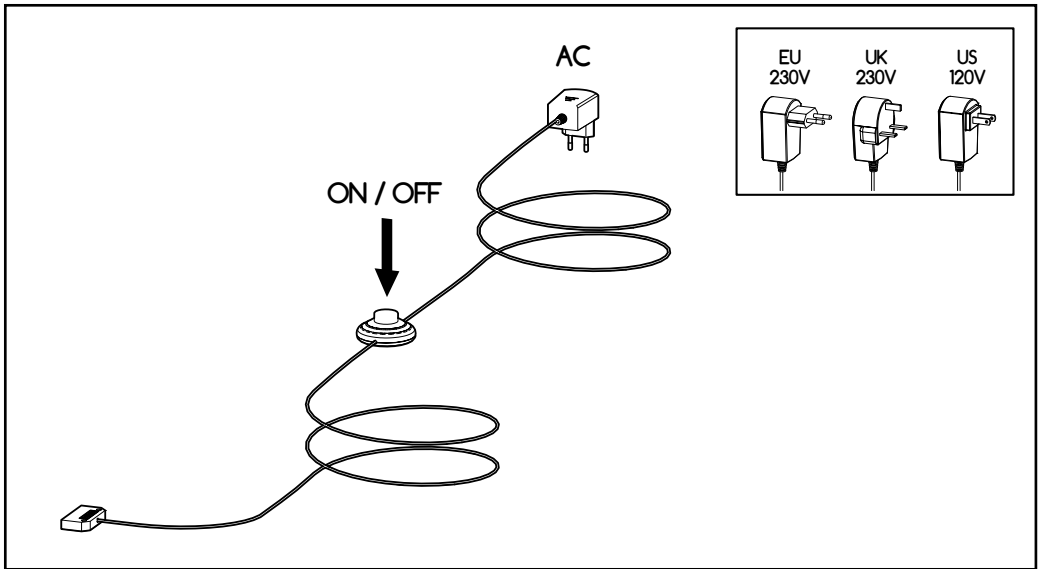
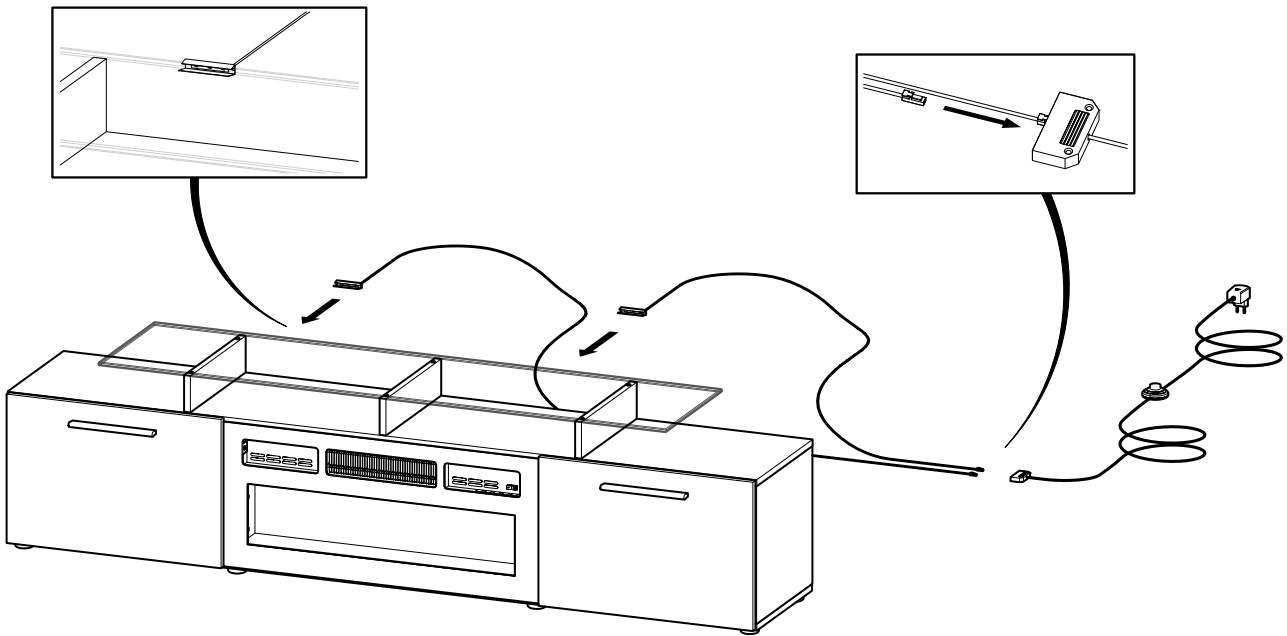
XII

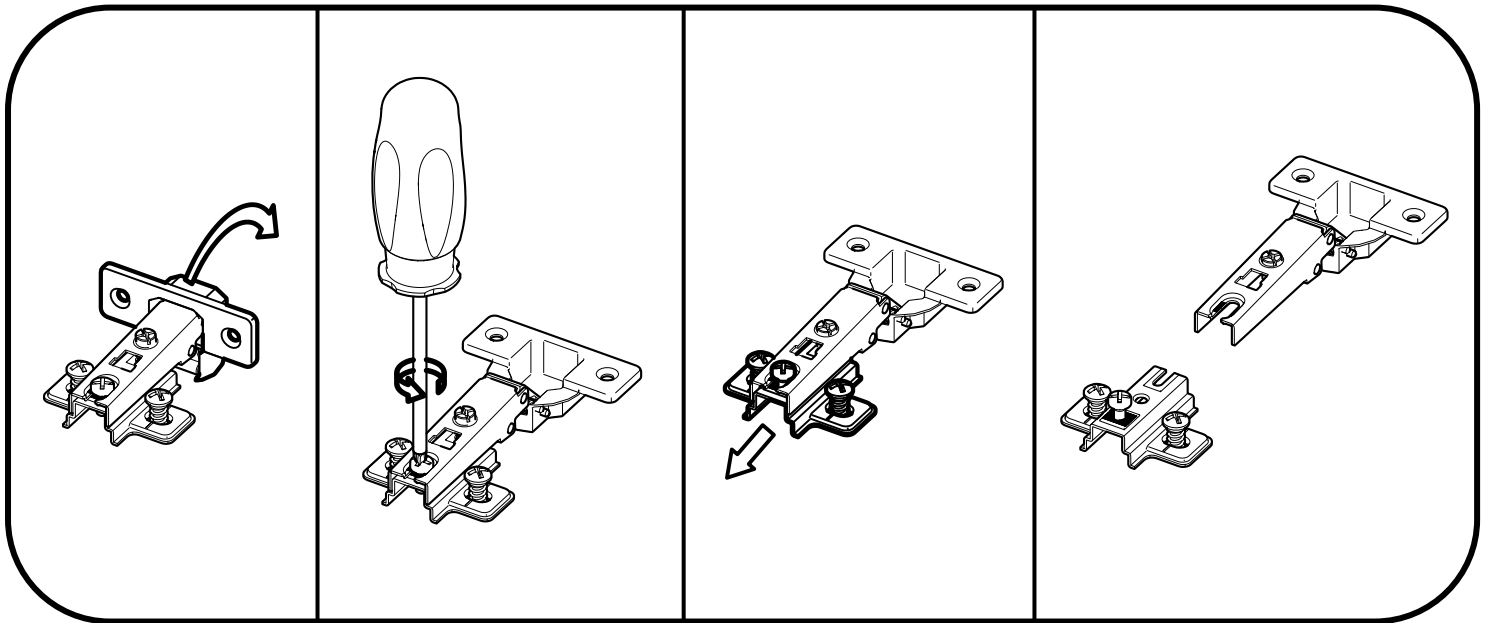
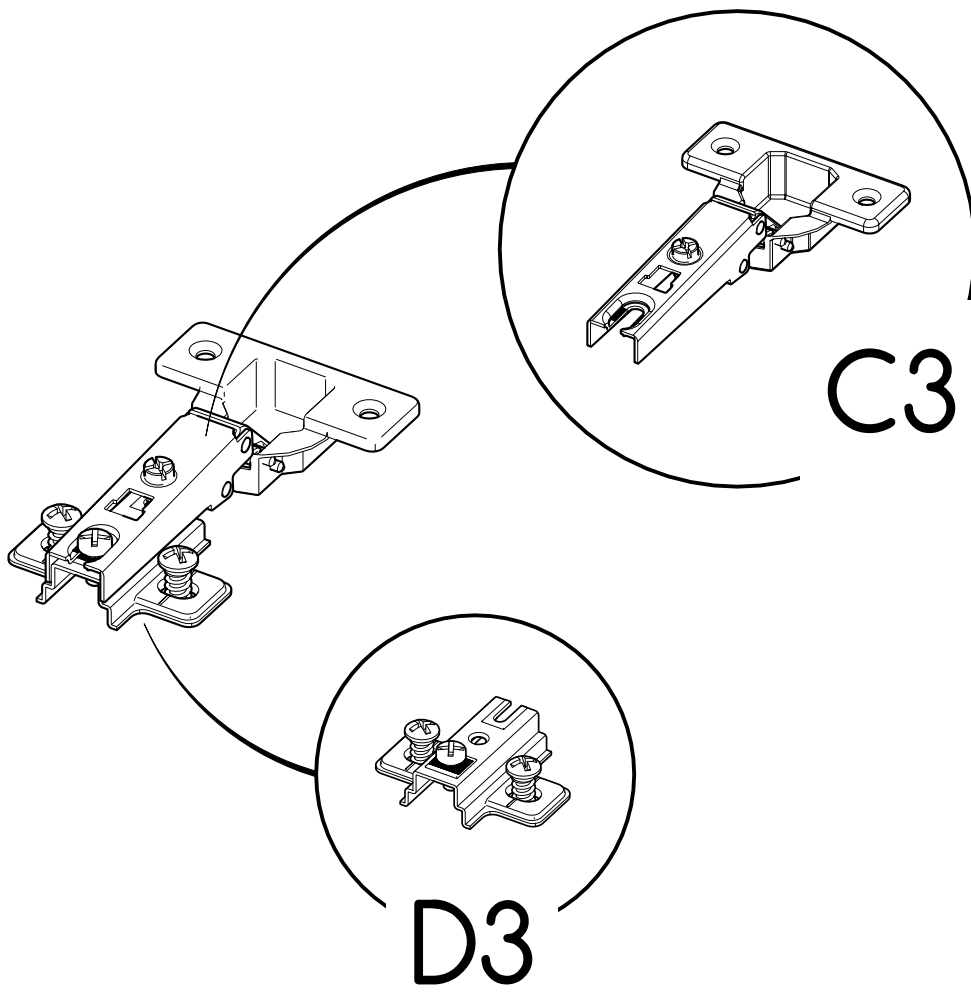


XIII



LED





# LED Light Kit Instruction Manual

## What's Included in your LED Light Kit

- **LED Glass Clips and/or LED Pucks** – LED glass clips are placed directly onto glass, and emit light throughout the glass. LED pucks are attached to the surface without the need for any tools, and provide even light distribution.
- **RGB Receiver** – Transmits signal to the remote, allowing you to control your light settings. Your LED lights are 16 colored, and have different light settings.
- **Remote Control** – Allows you to easily turn your lights on/off and adjust the color as desired.
- **Splitter** – Used to connect your lights to your power supply.
- **USA Power Supply** – Used to power your LED light kit.

## How to Install your Lights

1. Before installing, lay out all the products inside of the LED light kit package.
  - a. Connect each LED light to the splitter.
  - b. Connect the splitter to the RGB receiver.
  - c. Connect the RGB receiver to the power supply.
  - d. Plug the power supply into an outlet and press the ON button using the remote.
  - e. Check that everything is in working order, and then unplug your power supply & proceed with install.
2. If you have LED glass clips, you can clip them directly onto the back of the glass shelf. Never place LED lights where they are directly visible (on the front of the shelves), as they will be too bright.
3. If you have LED pucks, make sure the area where you want to attach your LED pucks is clean of dirt and debris, then attach the lights to the top of the shelves.
4. Finally, re-connect your power supply to the electrical outlet, and use your remote to change the lights to your desired color.
5. Enjoy your new TV stand lighting!

## Troubleshooting

- **LED Lights Not Turning On**
  - Check your connections to make sure everything is plugged in.
  - The issue might be with the remote (refer to “Remote Not Working” section).
- **Remote Not Working**
  - Try moving closer to the receiver in case your remote is not in range.
  - Check to see if anything is blocking the signal between the remote and the receiver.
  - Make sure the receiver is exposed when installing.
- **Request a Free Replacement LED Light Kit**
  - If you are still experiencing issues after troubleshooting, you can request a replacement LED light kit shipped to you free of charge. To request a free replacement kit, please do one of the following:
    - Fill out the Parts Request form at [www.mebleus.com/parts](http://www.mebleus.com/parts), or email [help@meblefurniture.com](mailto:help@meblefurniture.com).

# IMPORTANT SAFETY INFORMATION

## ELECTRIC FIREPLACE SAFETY INFORMATION AND WARNING

**ATTENTION:** This Safety Information and Warning provides basic information for using an electric fireplace insert safely. Failure to follow the recommendations and warnings below may result in risk of fire, electric shock, and injury to person and property.

- **WARNING!** There's a risk of fire, electric shock, and injury to person if you don't follow the included instruction and safety information. We are not liable for any damages or injury caused by mishandling, improper installation, or improper use of the electric fireplace insert.
- **WARNING!** Prior to using your electric fireplace insert, compare the rated power of the electric fireplace insert to the capacity of the electrical circuit you plan to use it within. In order for the electric fireplace insert to be safely used, the electric fireplace insert's electrical demand, in addition to the electrical demand of any other electric devices using the circuit, should be well within the electrical capacity of the circuit. If you are unsure of the electrical capacity of the circuit, or the electrical demand of devices using the circuit, contact a licensed electrician for assistance.
- **WARNING!** Your electric fireplace insert may require a dedicated electrical circuit. Check with your local building codes.
- **WARNING!** To avoid electrical shock, do not open the back panel of the insert unless the power has been turned off and the insert has been unplugged.
- **WARNING!** The electric fireplace insert must be used on an AC supply only, and the voltage marked on the heater must correspond to the supply voltage.
- **WARNING!** Any repairs or modifications done to this electric fireplace insert are not recommended, and may cause an increased risk of fire, electric shock, and injury to person. Any repairs or modifications will void all warranty and technical support for this unit. If the decision of the user of the electric fireplace insert is to repair or modify the insert or any electrical wiring, such repairs or modifications should be done only by a licensed electrician, and must comply with local building codes.

- **WARNING!** Discontinue the use of this electric fireplace if any of the following has occurred:
  - Water damage
  - Insert has been damaged or dented
  - Power cord has become broken
  - Power cord has become too hot to touch
  - Insert smokes or smells like smoke (Note: When the heater function is used for the first time, a slight odor may be present. This is normal and should not occur again unless the heater is not used for an extended period of time.)
- **WARNING!** Do not cover or obstruct the insert in any way. The insert will overheat if covered.
- **WARNING!** Never immerse the product in water or any other liquids.
- **WARNING!** Do not run cables under carpets or rugs. Do not allow the main cables to hang over the sharp edges of the electric fireplace insert. Do not allow the main cables to come into contact with hot surfaces. From time to time, check the cable for damage. Never use the electric fireplace insert if the cable or any part of the insert shows signs of damage.
- **WARNING!** Do not switch the electric fireplace insert on until it has been properly installed as described in the instruction manual. Do not leave the electric fireplace insert unattended during use.
- **WARNING!** Keep the electric fireplace insert out of the reach of children. Do not let children operate the electric fireplace insert.
- The electric fireplace insert is fitted with a safety cut-off which will trigger if the insert overheats (e.g. due to blocked air vents). For safety reasons, the insert will NOT automatically reset. To reset the electric fireplace insert, disconnect the insert from the power supply for at least 15 minutes. After 15 minutes, reconnect the insert to the power supply and switch the insert on.

**SAVE THIS SAFETY INFORMATION AND WARNING FOR FUTURE REFERENCE**

# Claim your extended 90 day product warranty by registering your product at

**ATTENTION: DO NOT RETURN THIS PRODUCT!!!  
PLEASE READ THE FOLLOWING!!!**

**FOR REPLACEMENT/MISSING PARTS:**

**FOR INSTRUCTION/ASSEMBLY MANUALS  
AND VIDEOS:**

**ALL OTHER INQUIRIES:**

**IF YOU ARE MISSING PARTS OR YOUR  
PRODUCT ARRIVED DAMAGED:**

Please fill out a parts request form at

Replacement parts are shipped out in one business day. You will receive a tracking number via email once your parts request has been processed.

**IF YOU ARE MISSING AN INSTRUCTION  
MANUAL OR NEED ASSEMBLY HELP:**

Please visit

to access our library of product assembly videos or to download product instruction manuals.

**NOTICE REGARDING HIGH GLOSS  
PROTECTIVE FOIL AND PRODUCT CARE:**

After removing the protective foil from the gloss fronts, the acrylic surface of the boards is still soft and easy to scratch. With air contact, the hygroscopic acrylic layer hardens, and the board becomes more resistant to scratches. It takes approximately 48 hours for the acrylic layer of the board to fully harden.

**DO NOT CLEAN, WIPE, OR POLISH THE  
ACRYLIC FRONTS FOR 48 HOURS AFTER  
REMOVING THE PROTECTIVE FOIL!!!**

