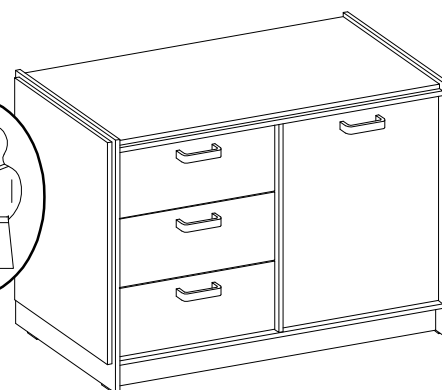
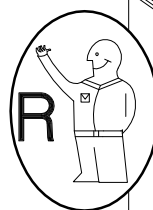
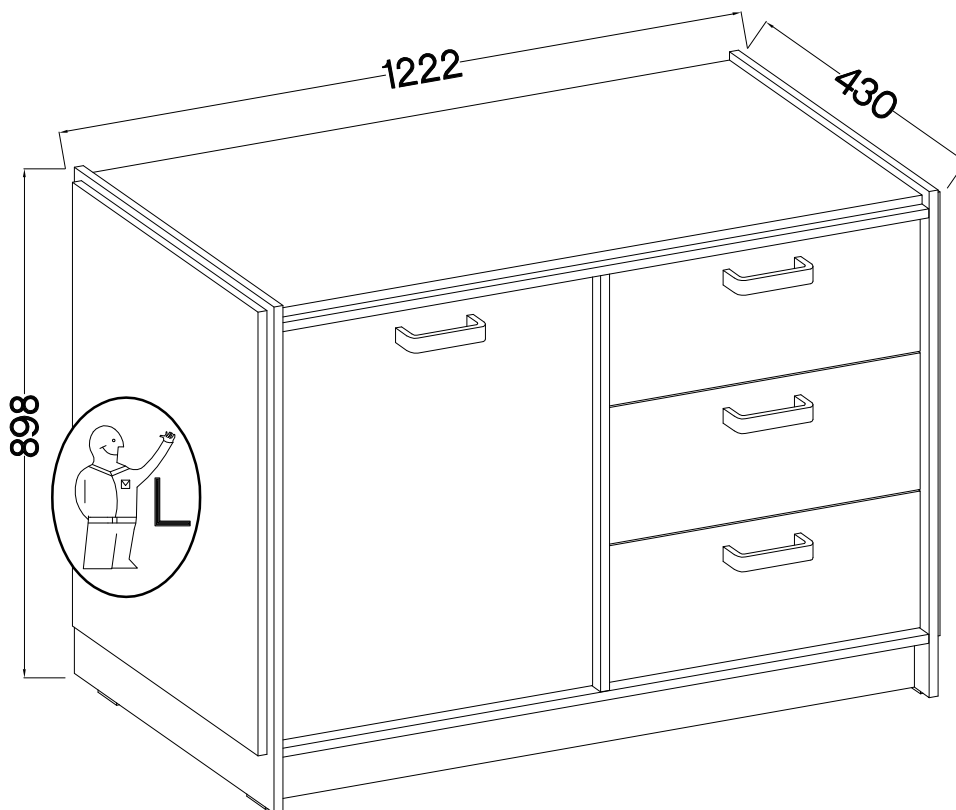
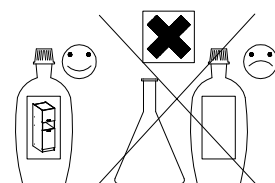


120 min

TYP 830

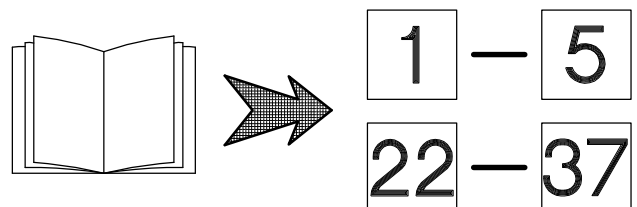
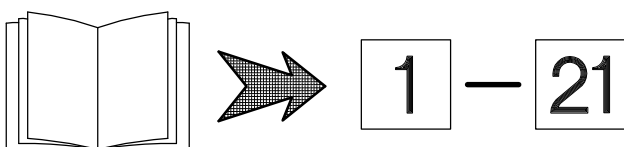
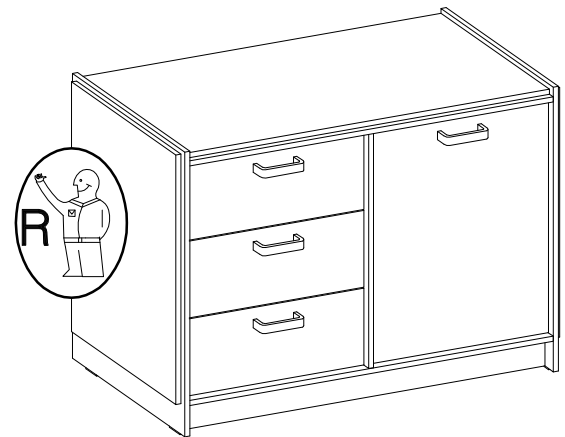
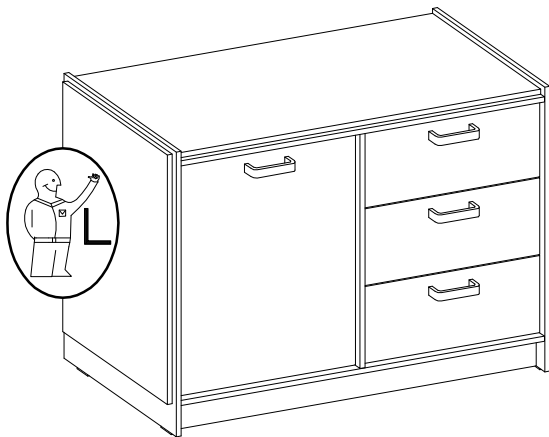
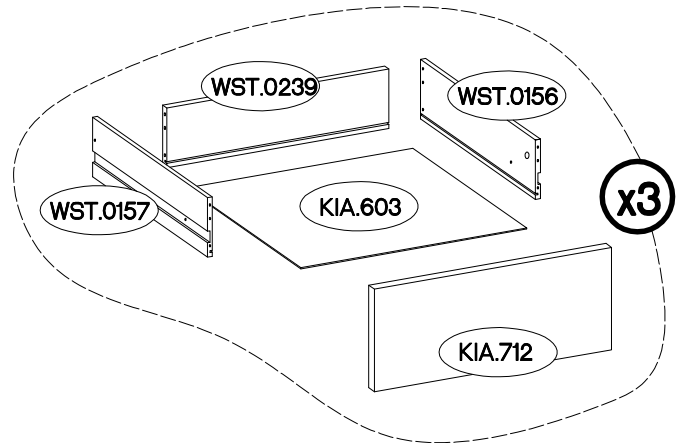
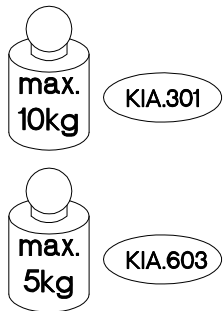
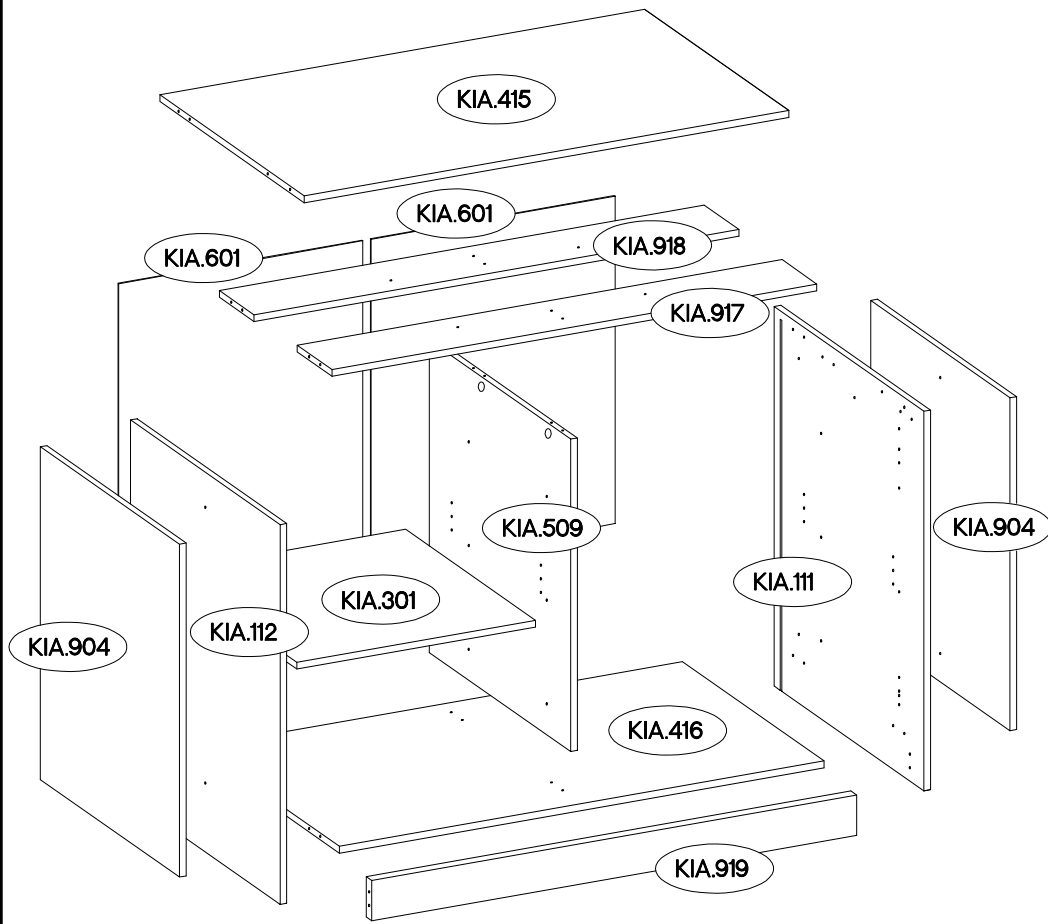


A	A4	B										
44	4	2										
B2	C	C5	D2	E cza.	E art.							
6	14	6	20	4	6							
F2	F4	HG2	I4	J3	J14	L	L2	L9	M2	M3		
4	1	2	3	4	6	22	5	1	6	6		
O	O7	O11	P1	P5	P7	P25	S	T3	U	U1		
1	1	1	2	5	13	14	4	1	8	6		


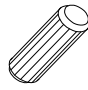

ISM-KIA-009

Colli	Ersatzteil Nummer	Dimension
1/2	KIA.111	893x430x16
	KIA.112	893x430x16
	KIA.415	1158x415x16
	KIA.416	1158x407x16
	KIA.603 x3	540x327x2,5
	KIA.917	1158x100x16
	KIA.918	1158x100x16
	KIA.919	1158x95x16
	KIA.904 x2	783x400x16

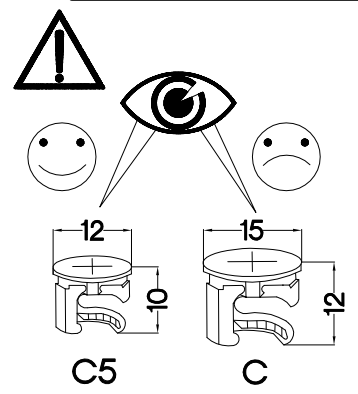
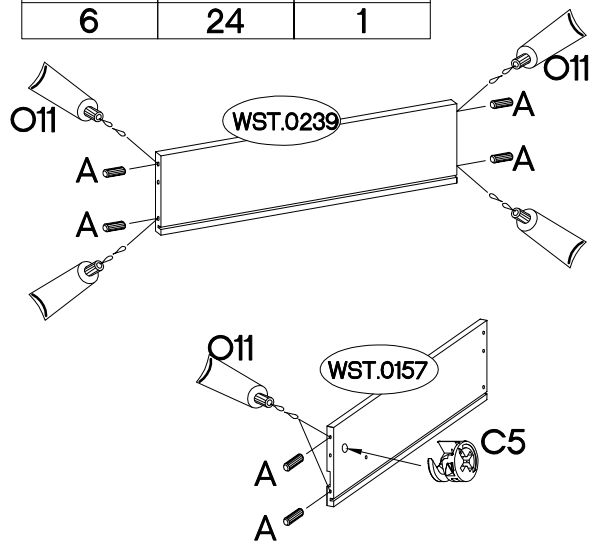
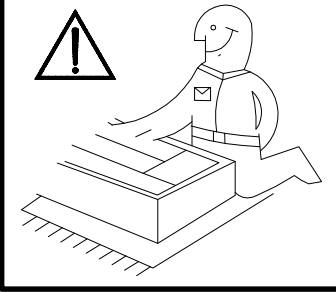
Colli	Ersatzteil Nummer	Dimension
2/2	KIA.301	570x373x16
	KIA.509	735x406x16
	KIA.601 x2	770x583x2,5
	KIA.701	567x729x16
	KIA.712 x3	567x241x16
	WST.0156 x3	330x140x12
	WST.0157 x3	330x140x12
	WST.0239 x3	530x140x12



1



#12/10mm  C5 6	+8x30mm  A 24	0,05  Lein O11 1
---	--	---

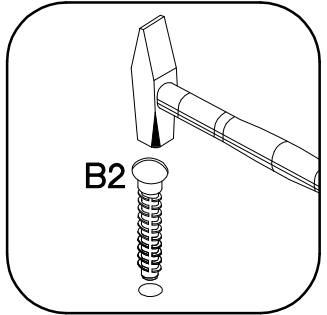
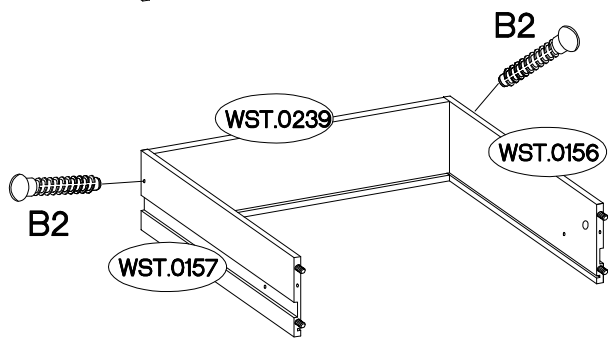
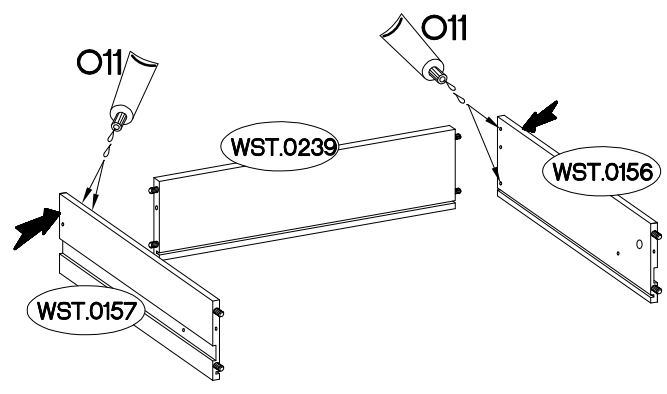
x3




2

x3

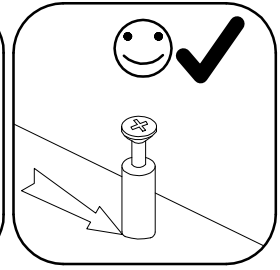
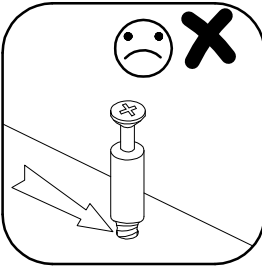
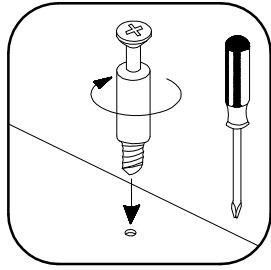
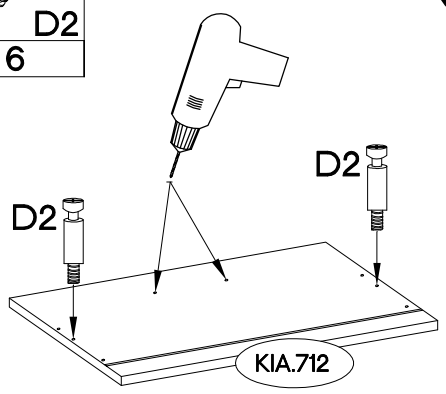
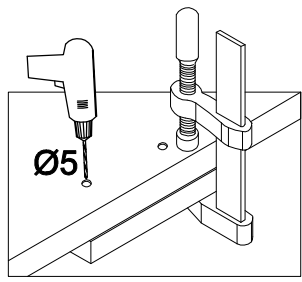
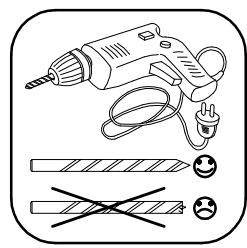
+6x42mm  B2 6	0,05  Lein O11 1
---	--



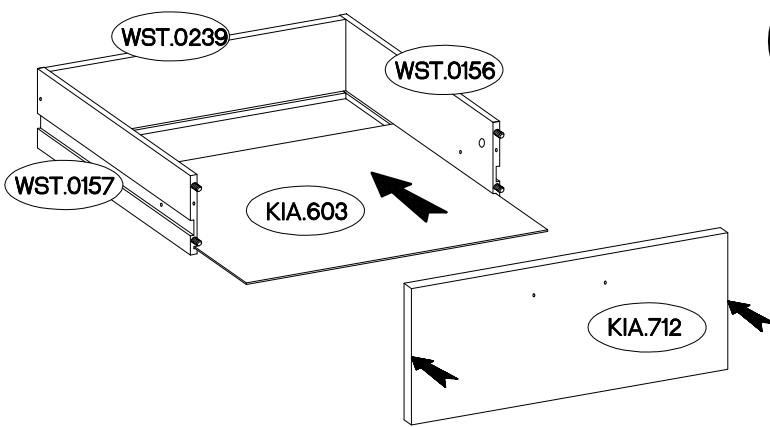
3

L=20mm  D2 6
--

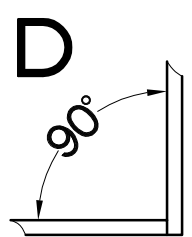
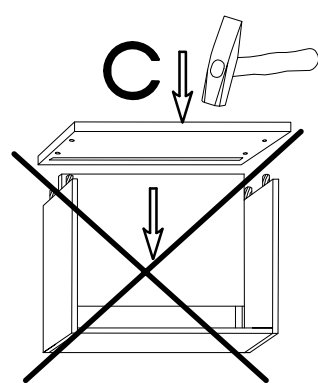
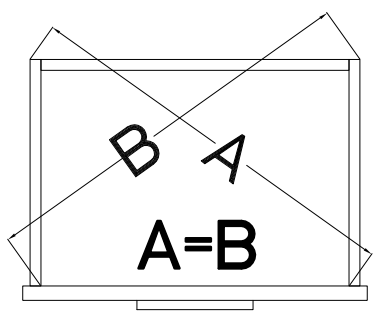
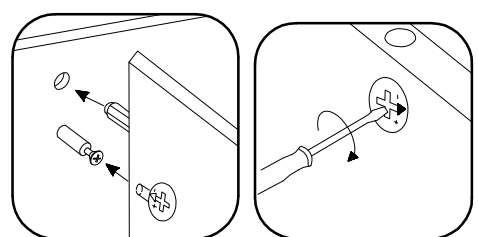
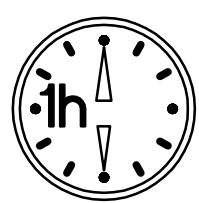
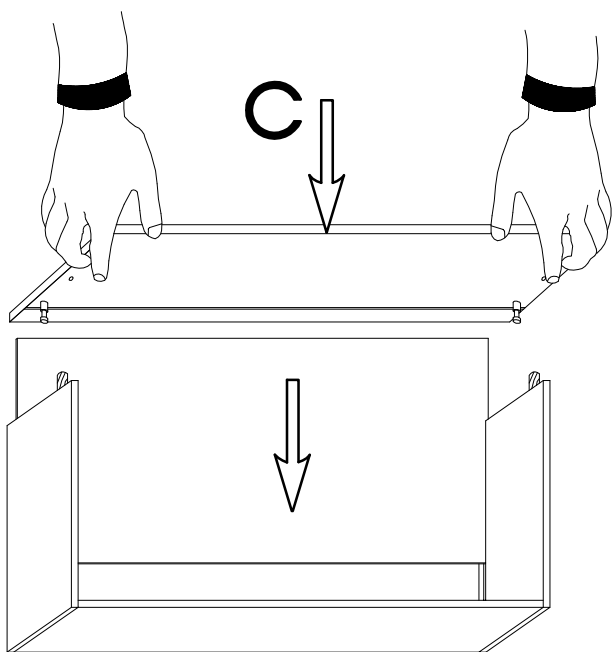
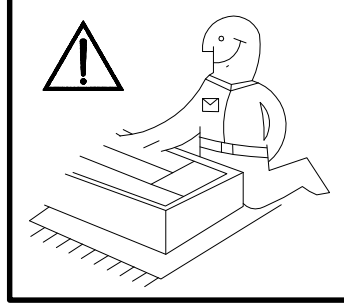
x3



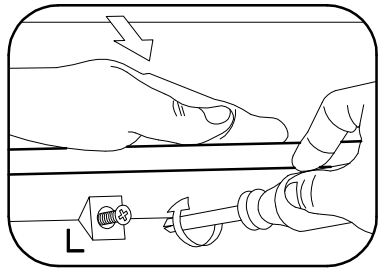
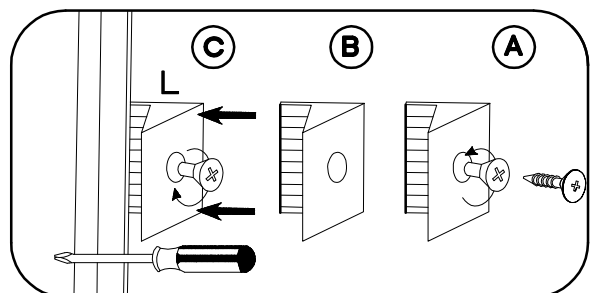
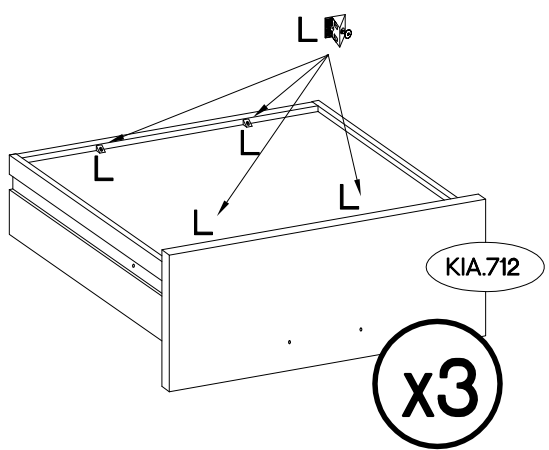
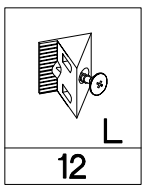
4

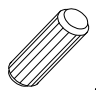
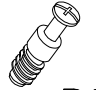

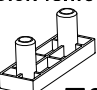
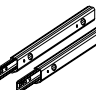


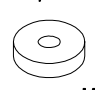


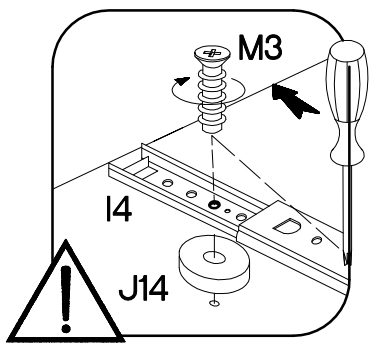
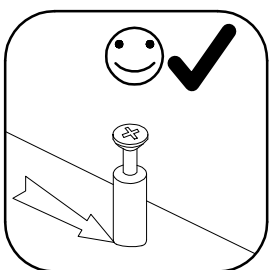
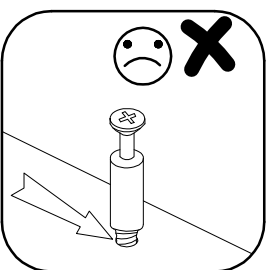
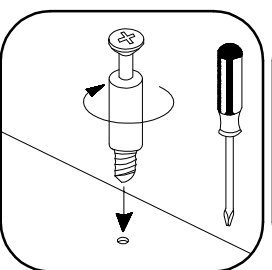
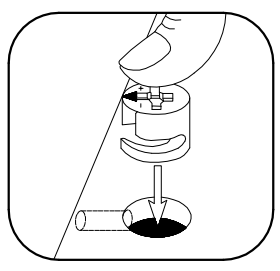
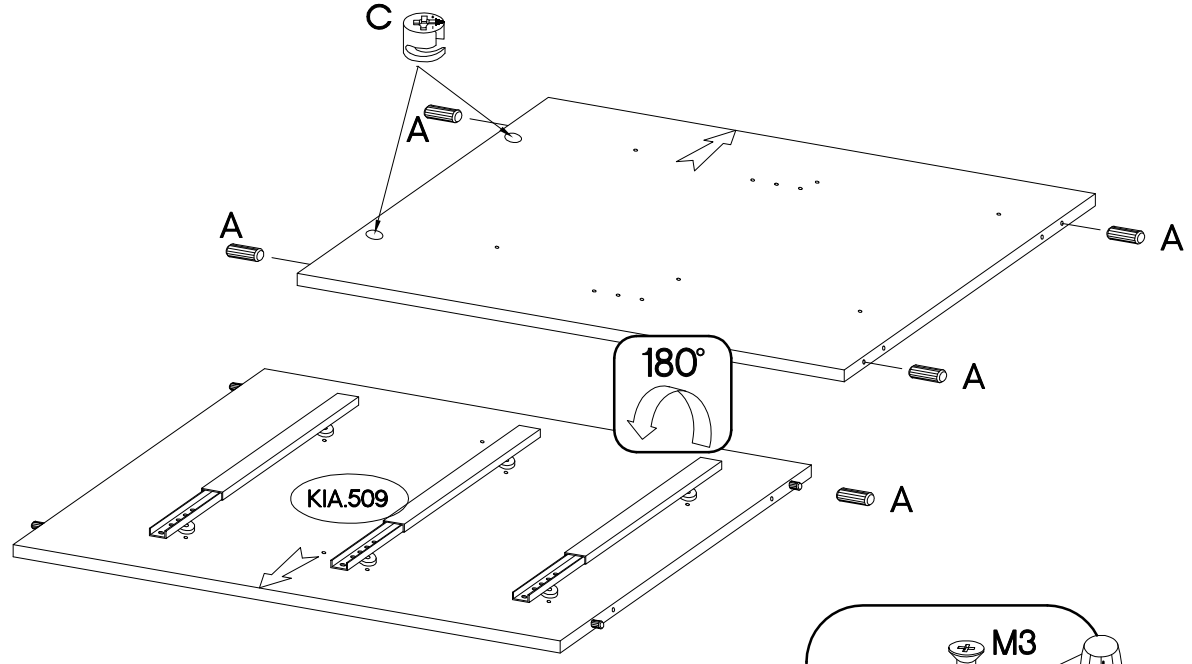
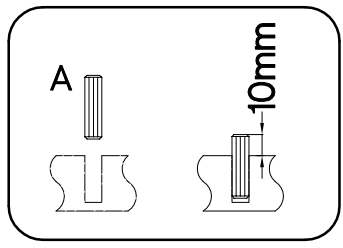
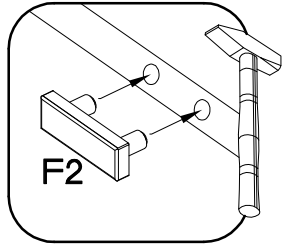
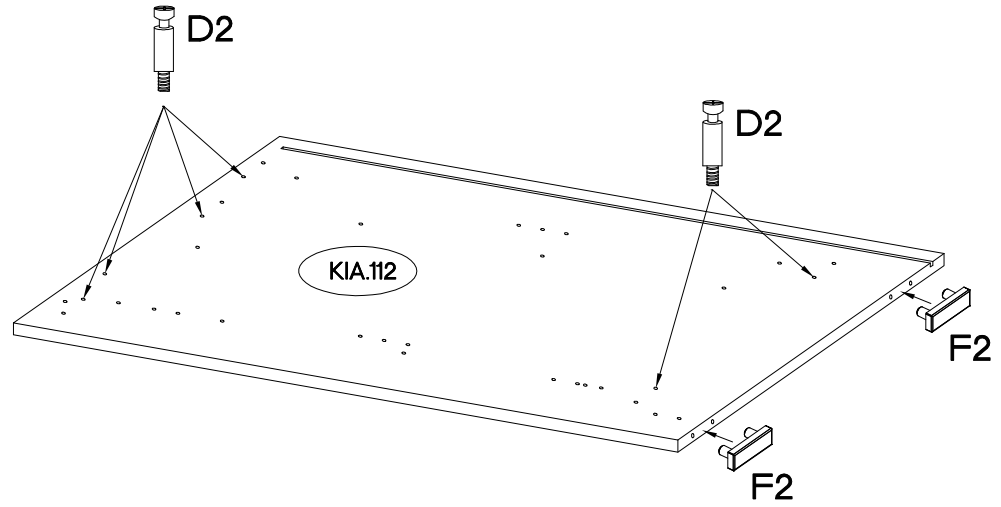
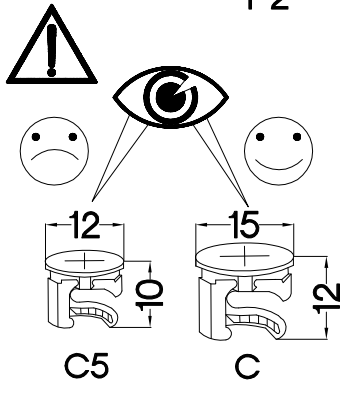
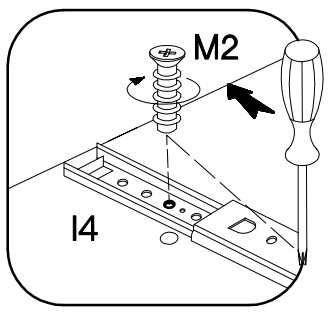
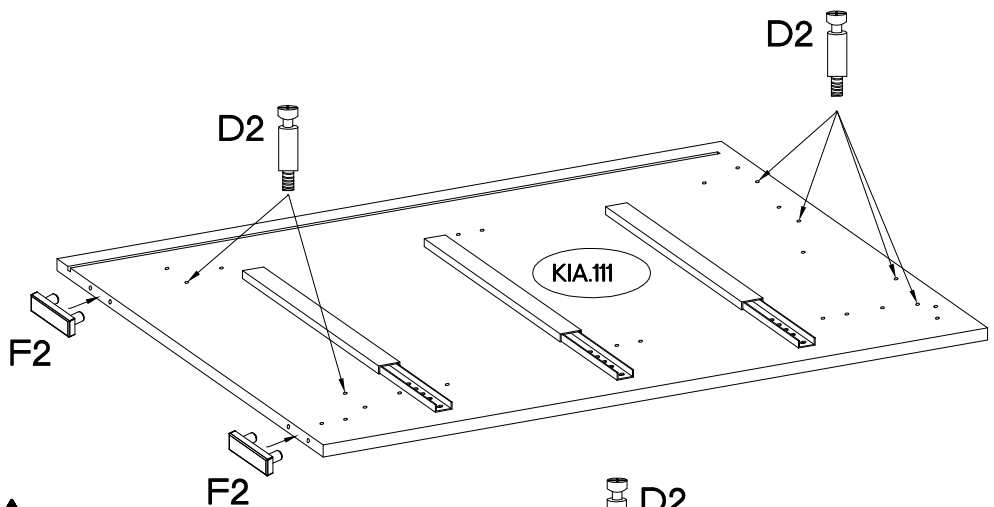
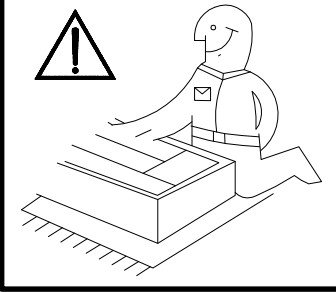
x3

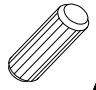
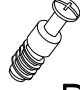






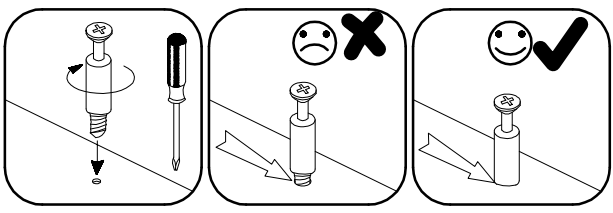
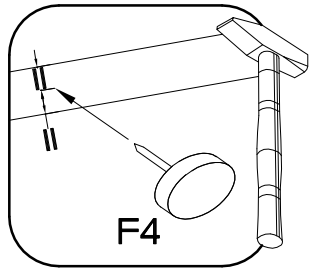
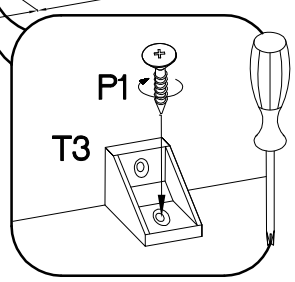
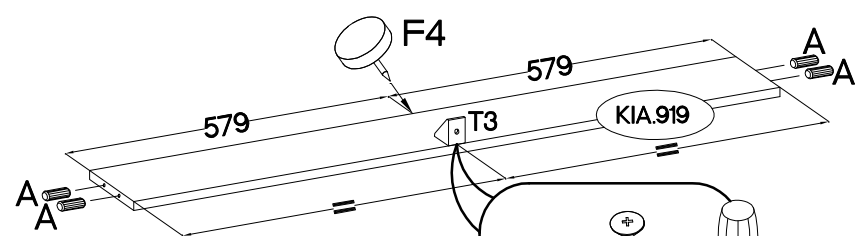
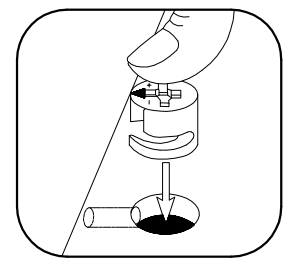
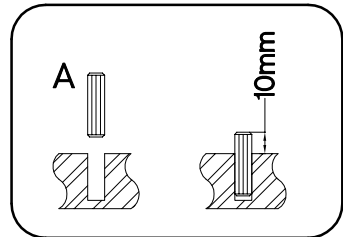
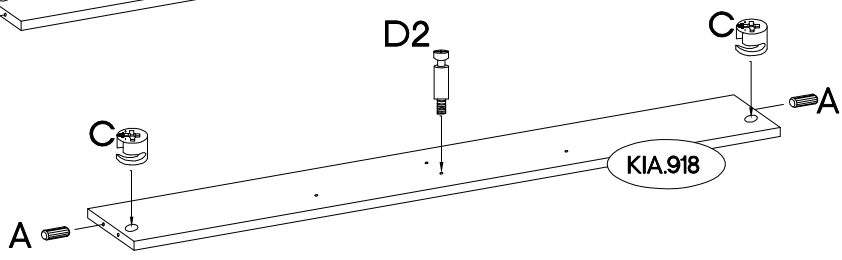
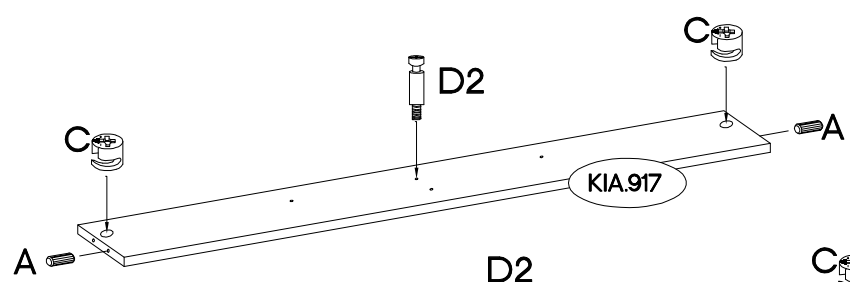
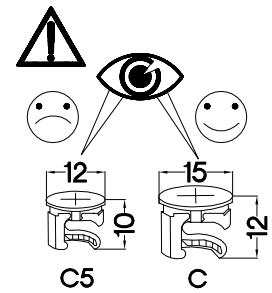
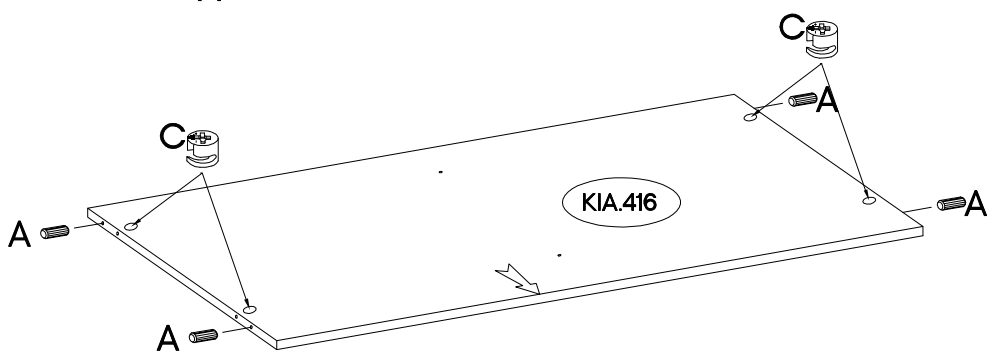
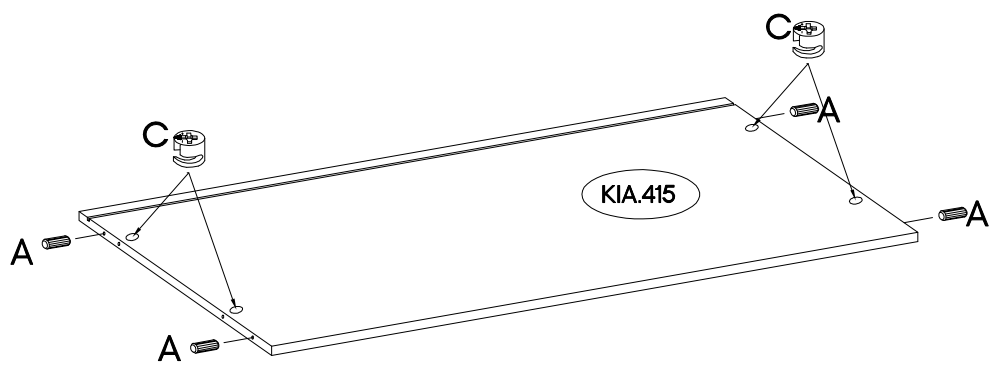
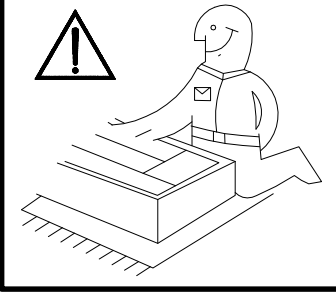
5



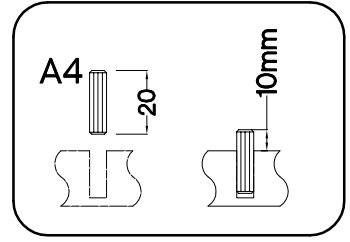
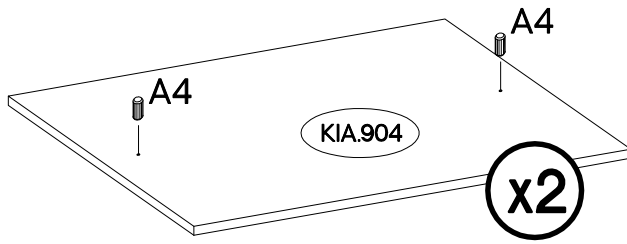
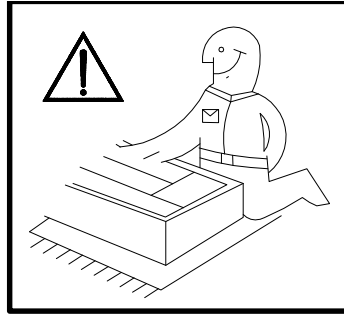
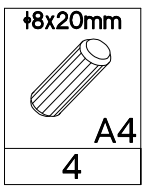
±8x30mm	L=20mm	±15/12mm	6.5x48x16	27/310mm	±6,3x13mm	±6.3x20mm	±20/8mm
							
4	12	2	4	3	6	6	6



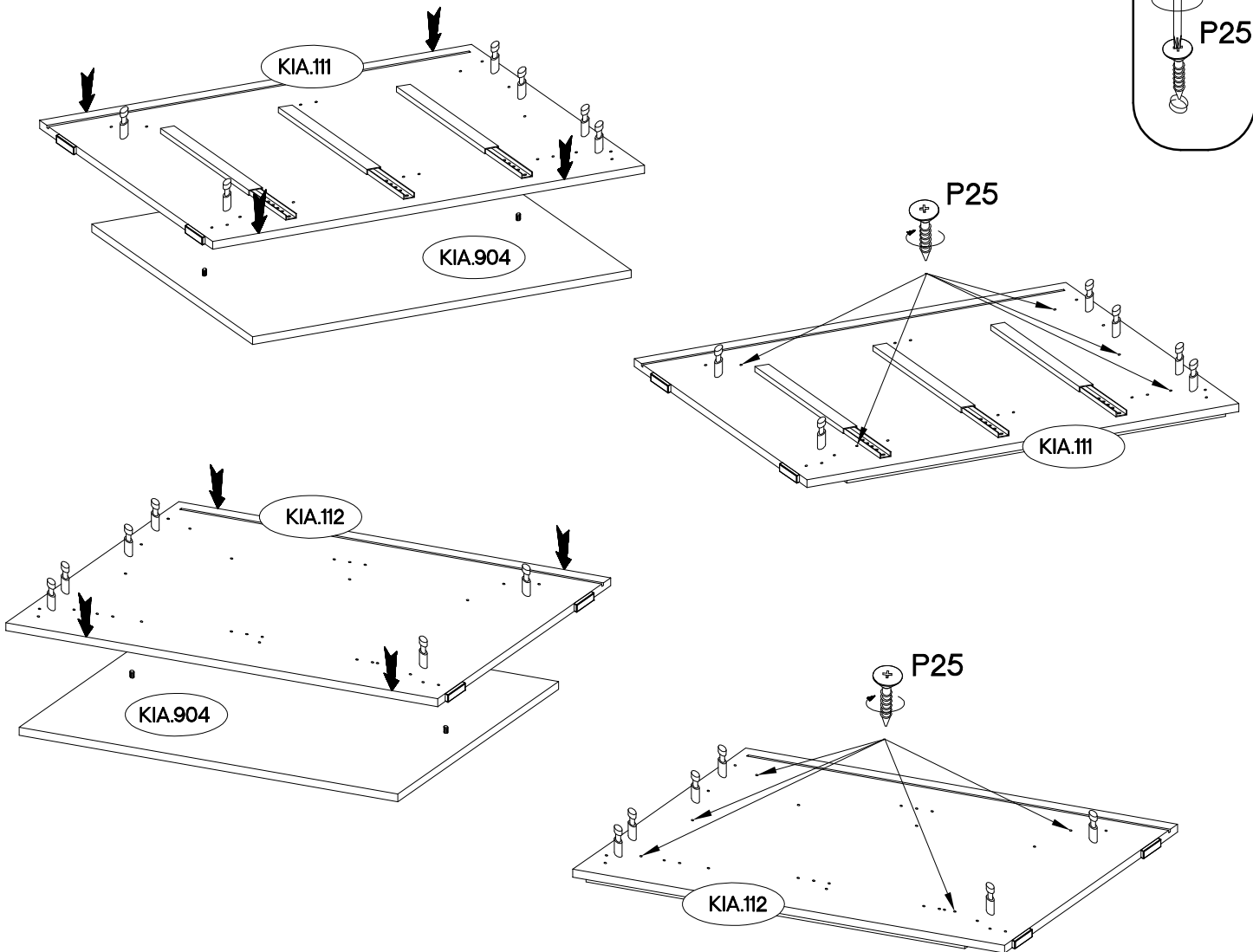
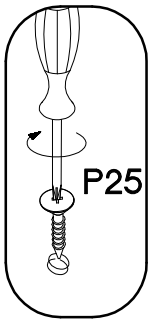
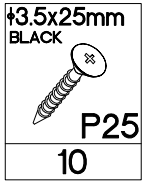
+8x30mm  A 16	L=20mm  D2 2	+15/12mm  C 12	 T3 1	+4.0x16mm  P1 1	+15x5mm  F4 1
--	---	---	---	--	--



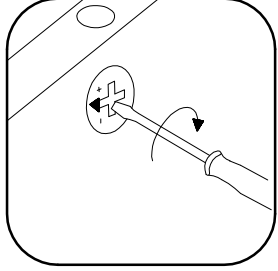
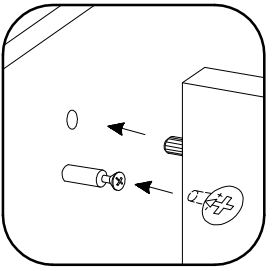
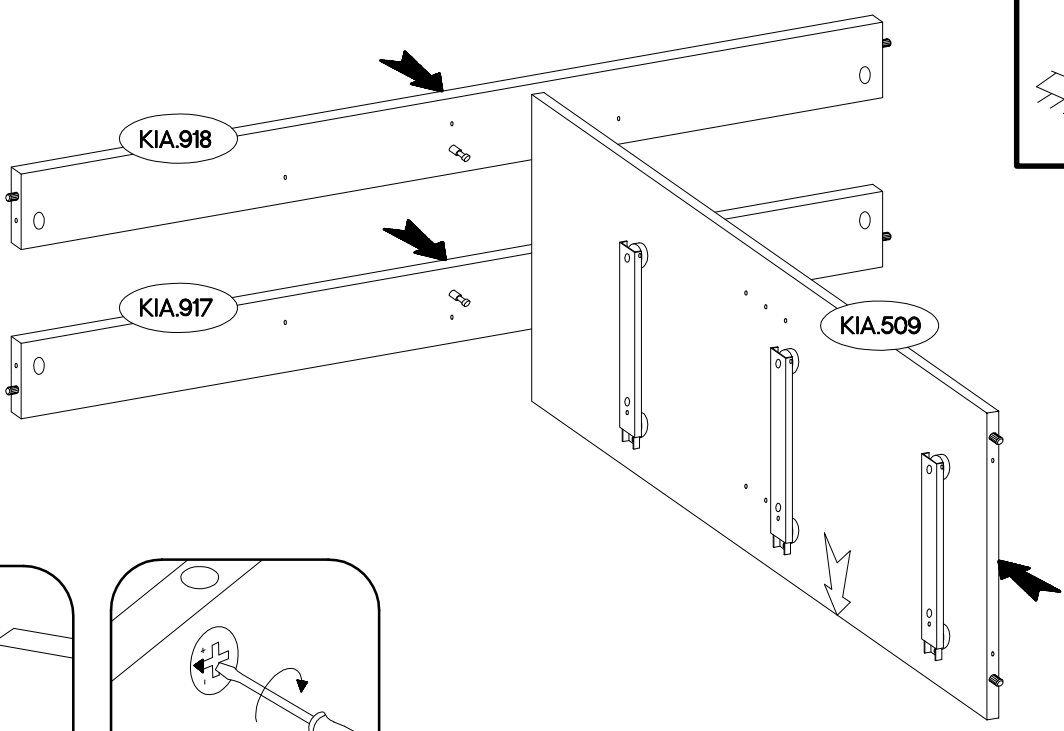
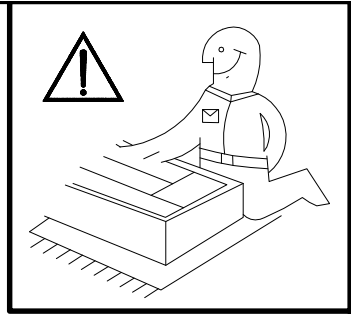
8




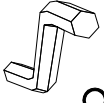
9

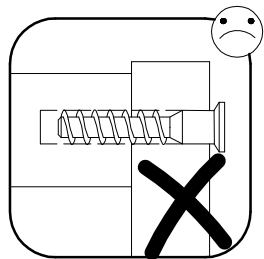
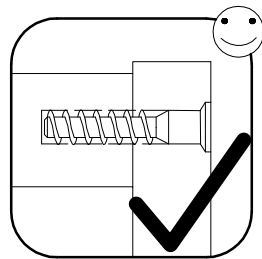
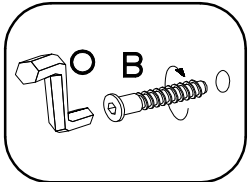
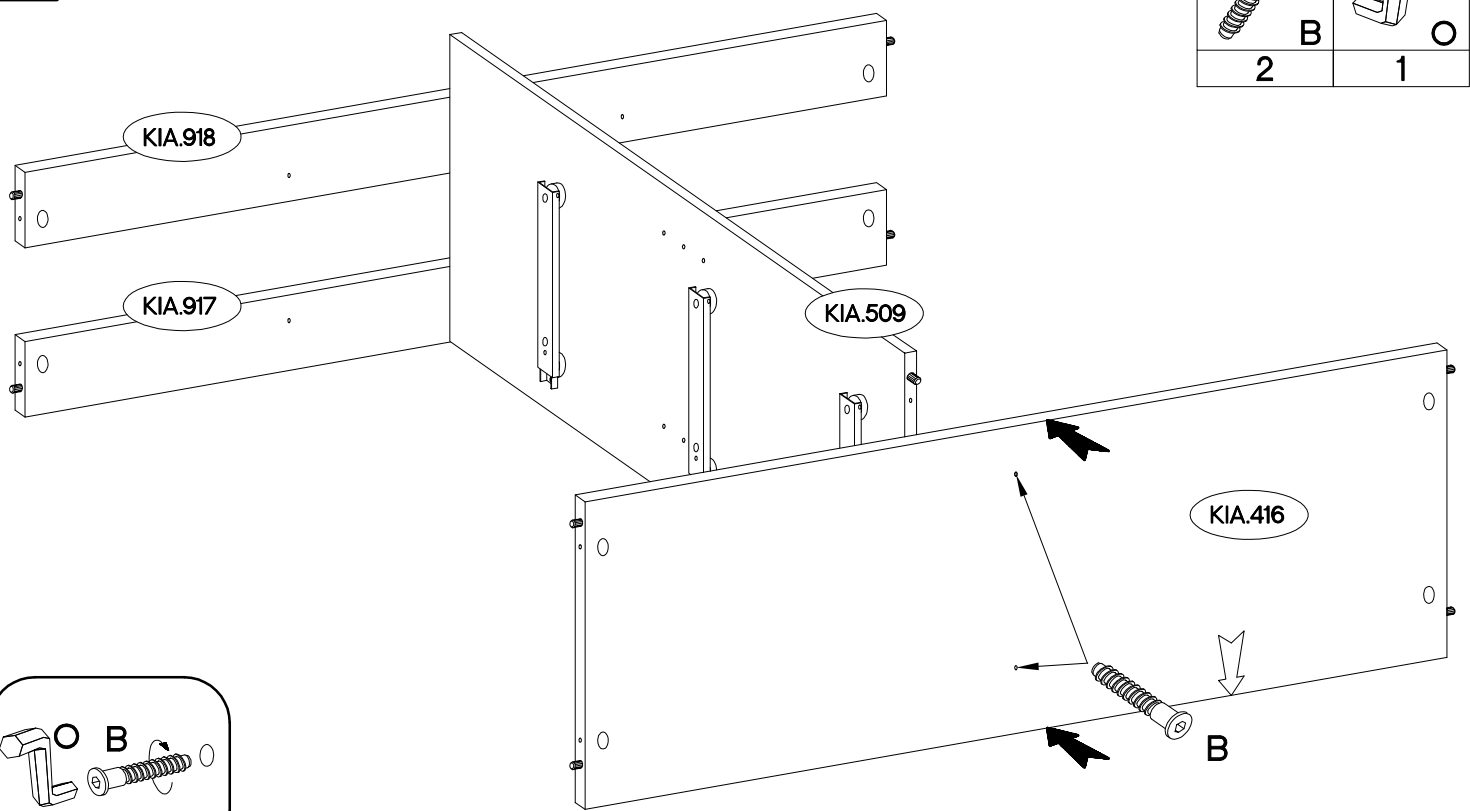


10

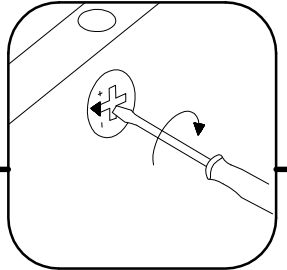
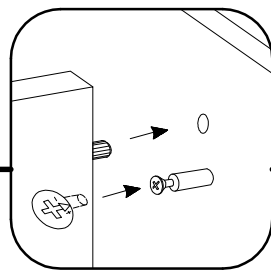
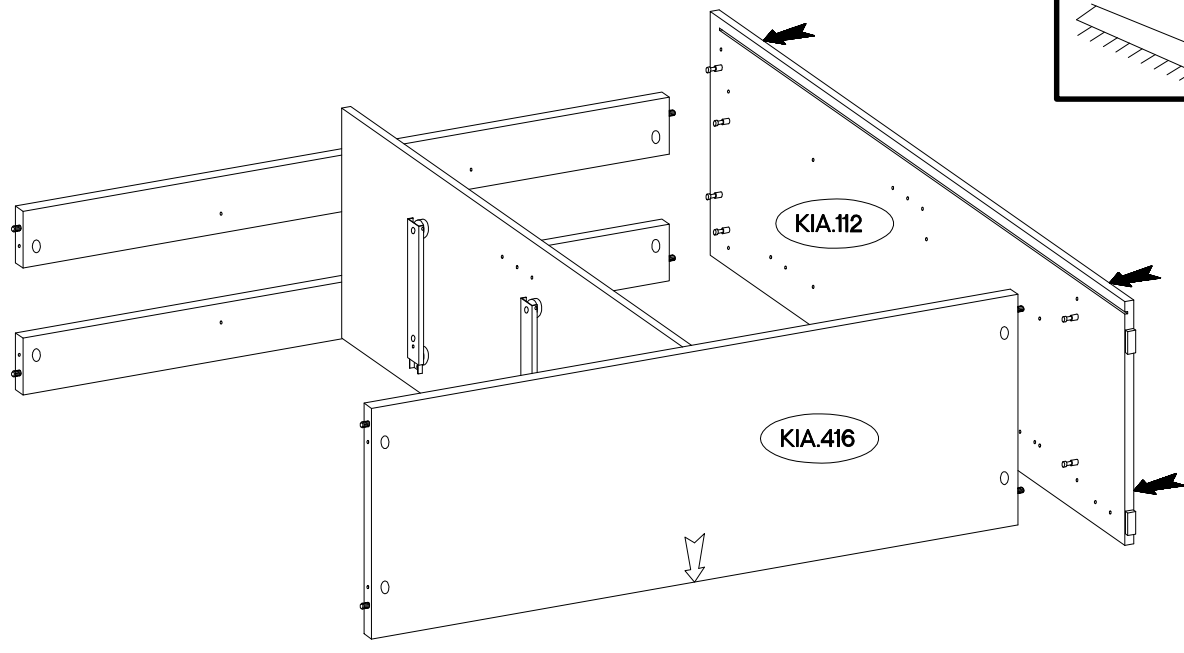
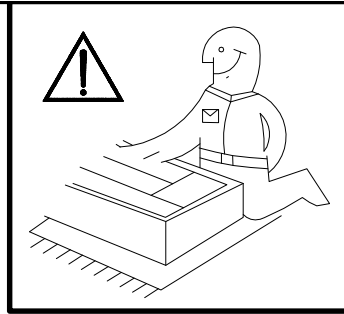


11

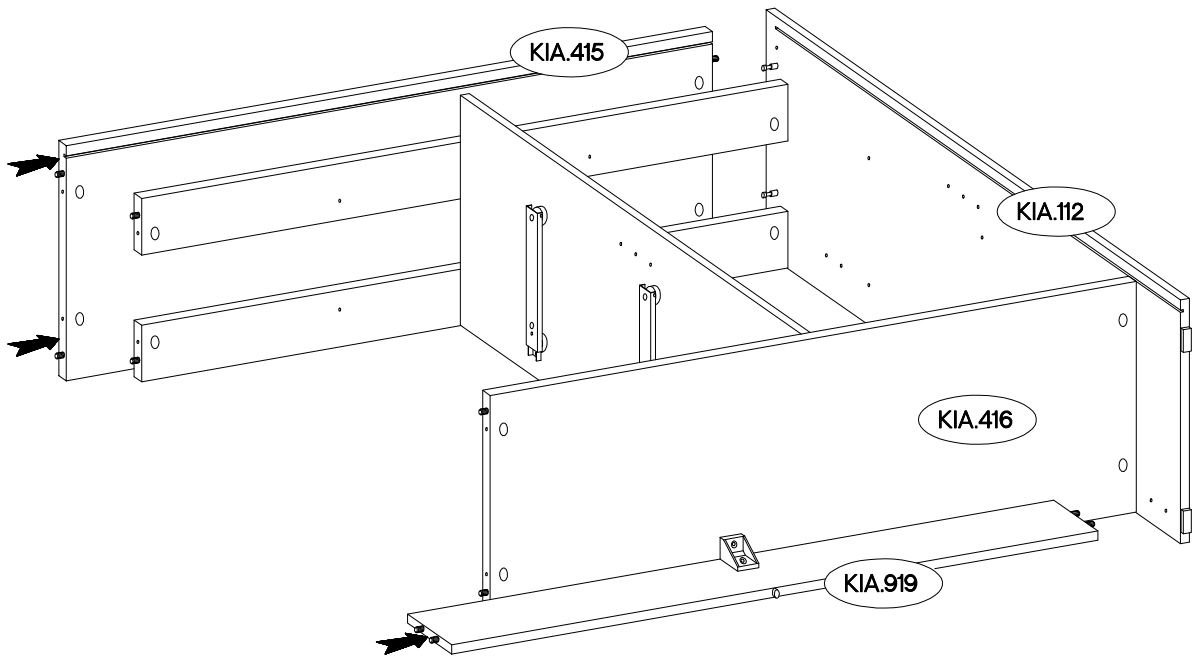
6,4 x 50mm	
	
B	O
2	1



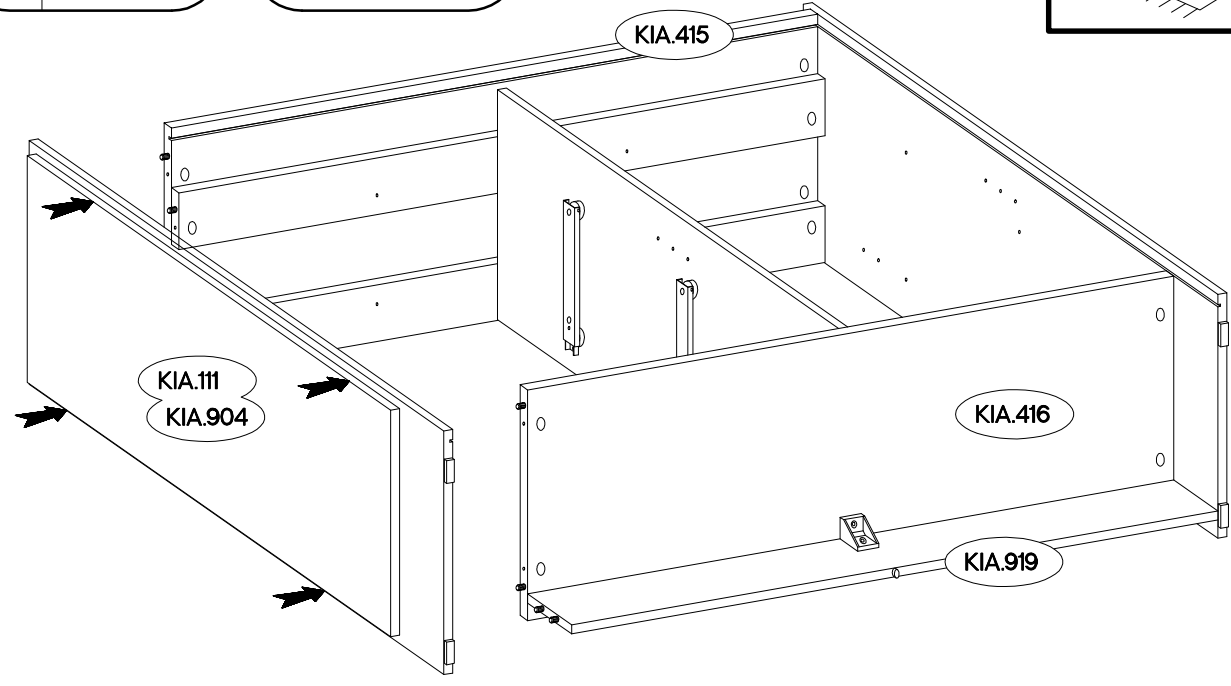
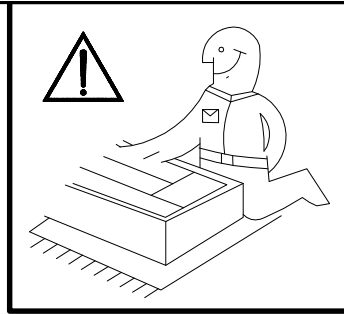
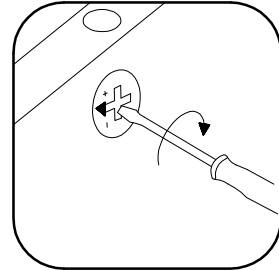
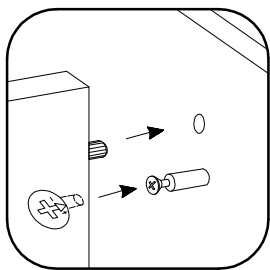
12



13

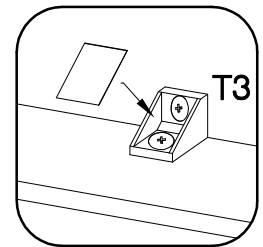
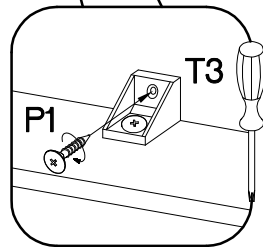
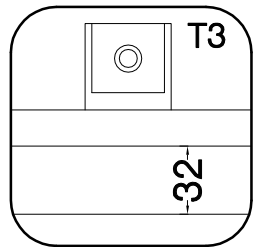
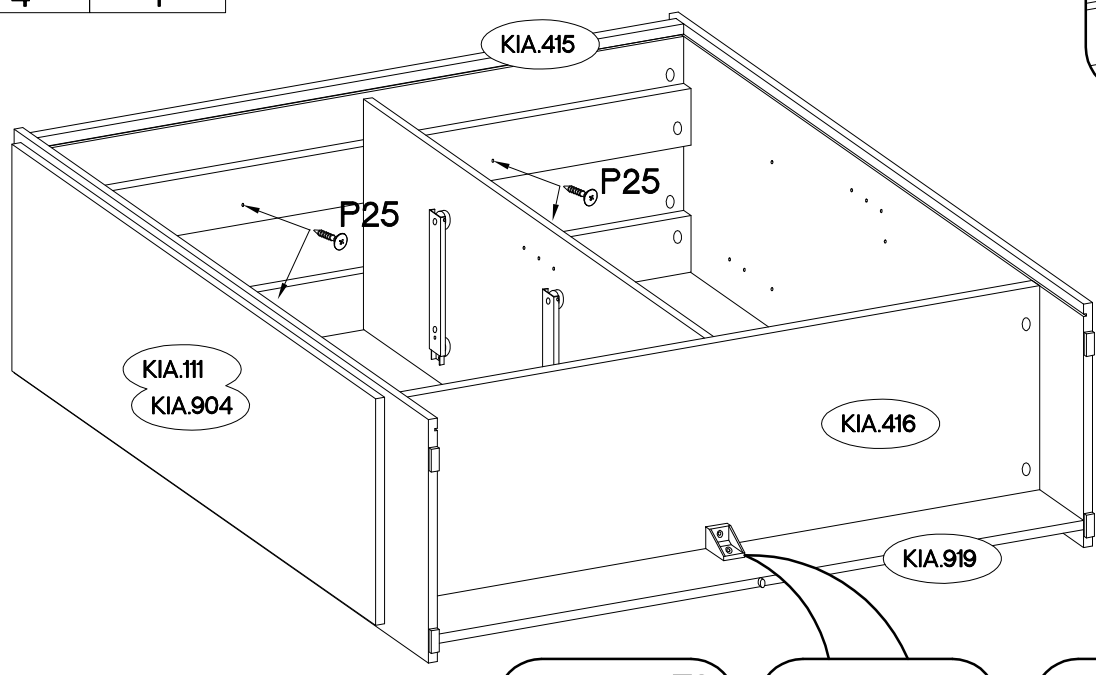
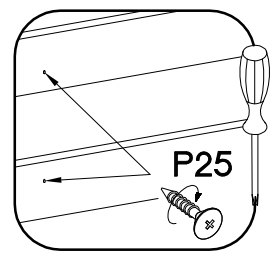



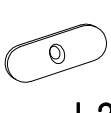
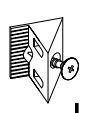
14

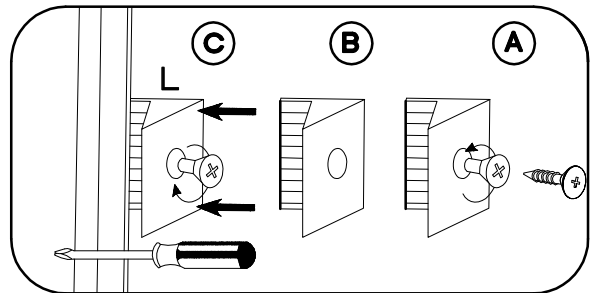
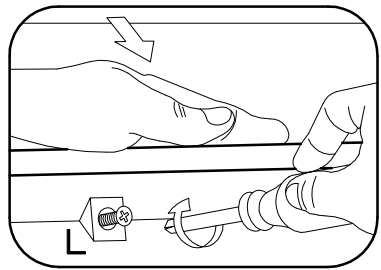
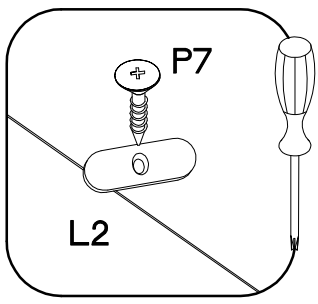
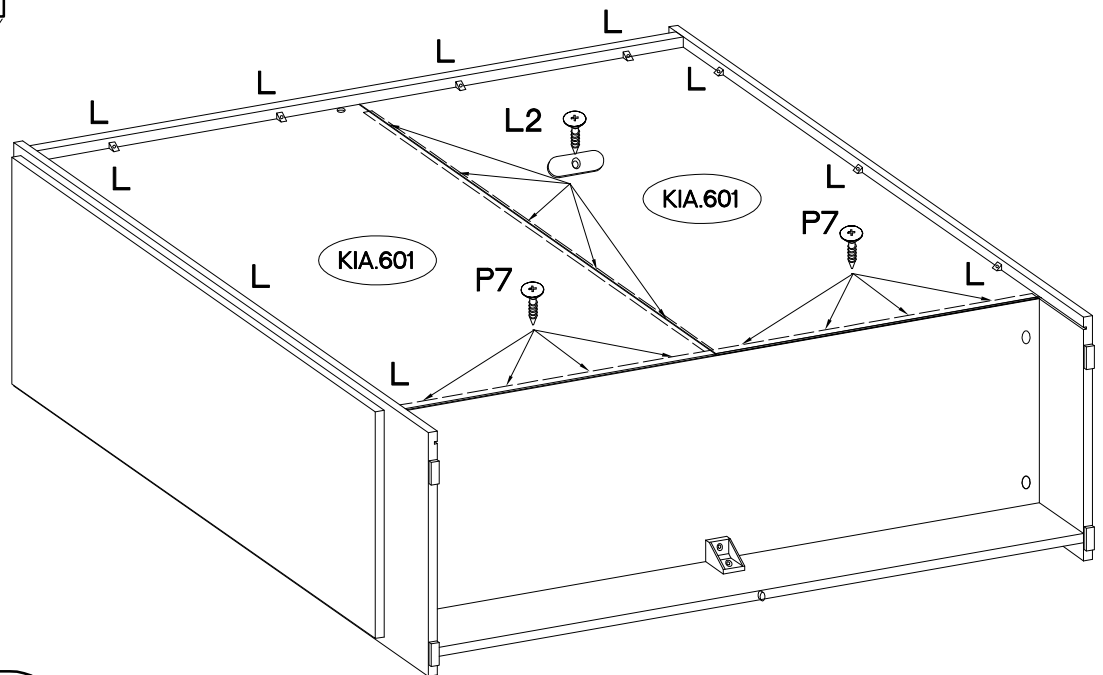
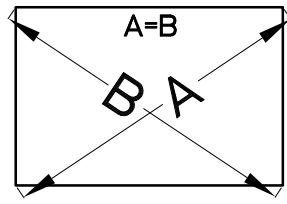
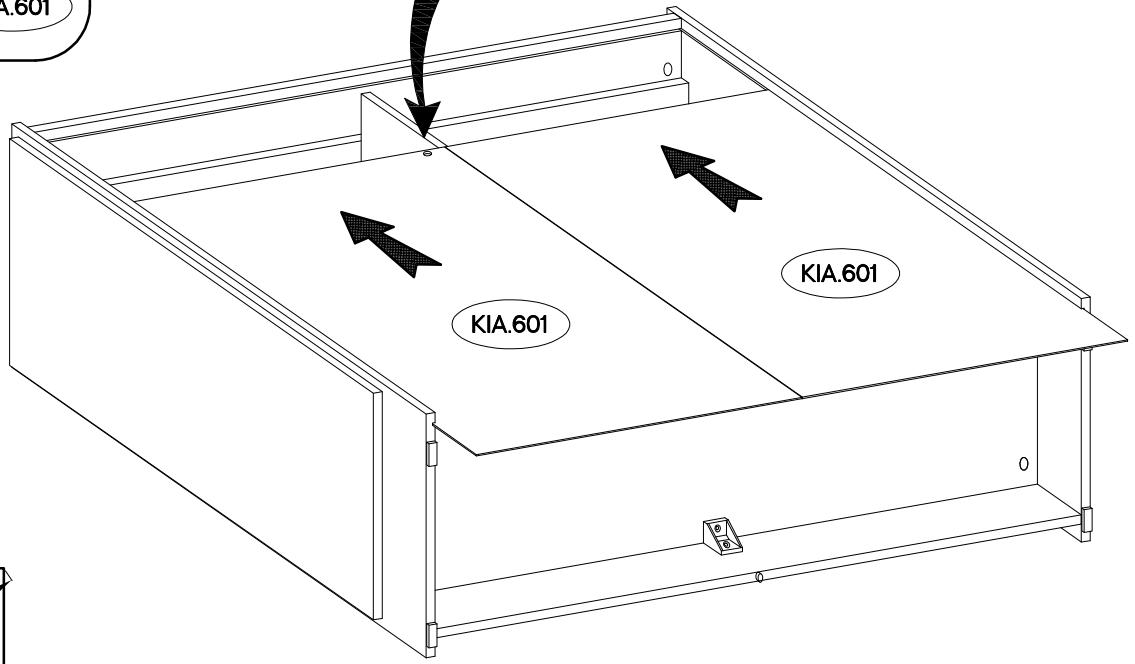
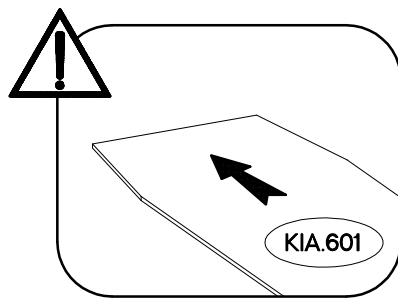
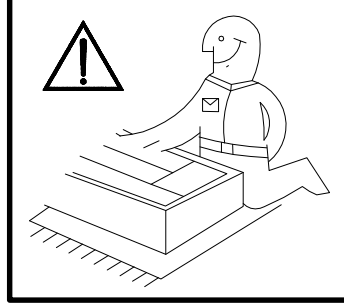
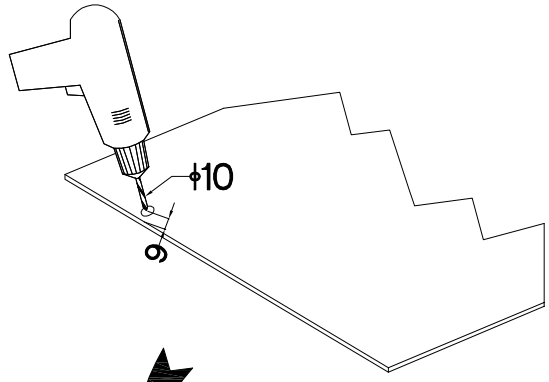



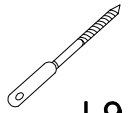

15

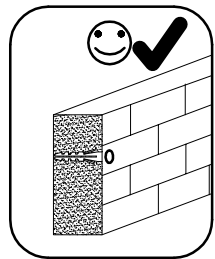
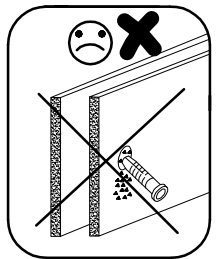
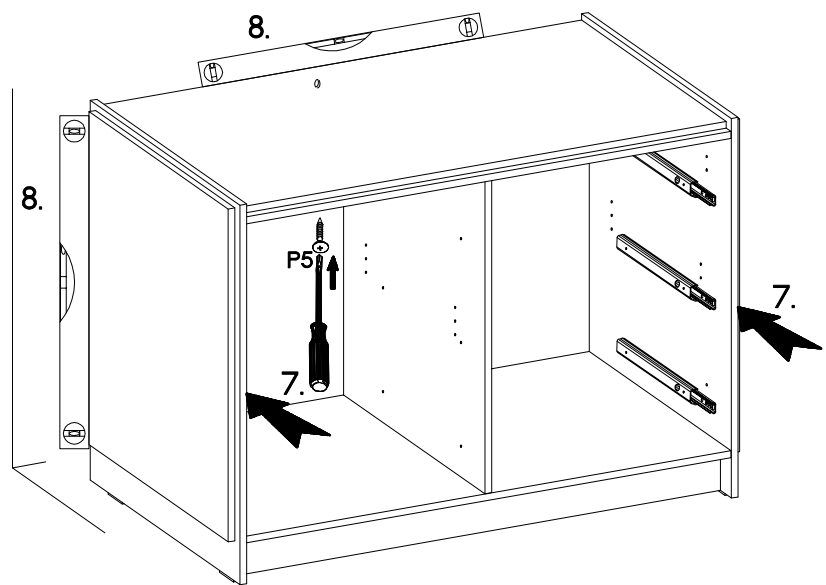
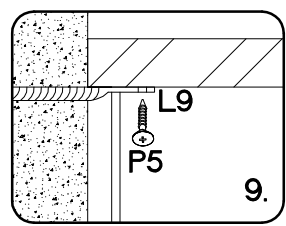
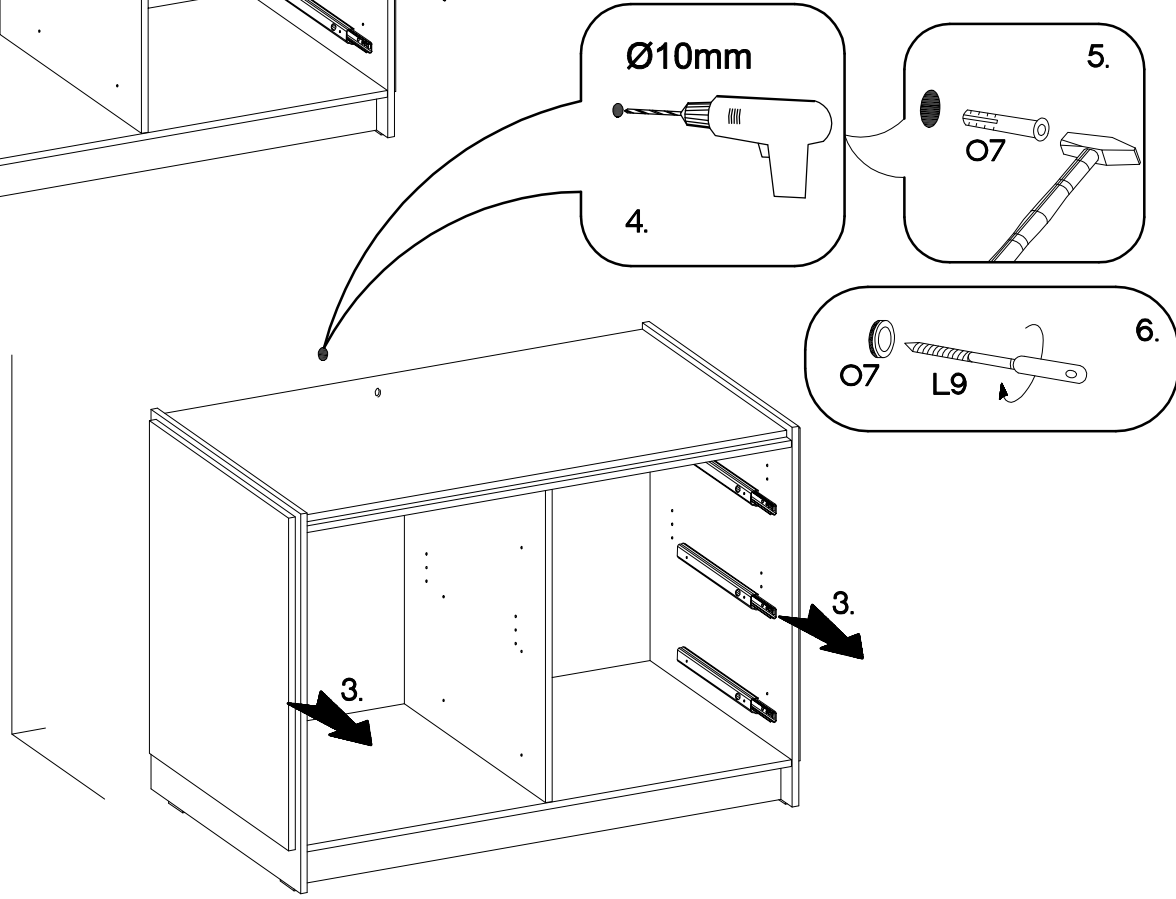
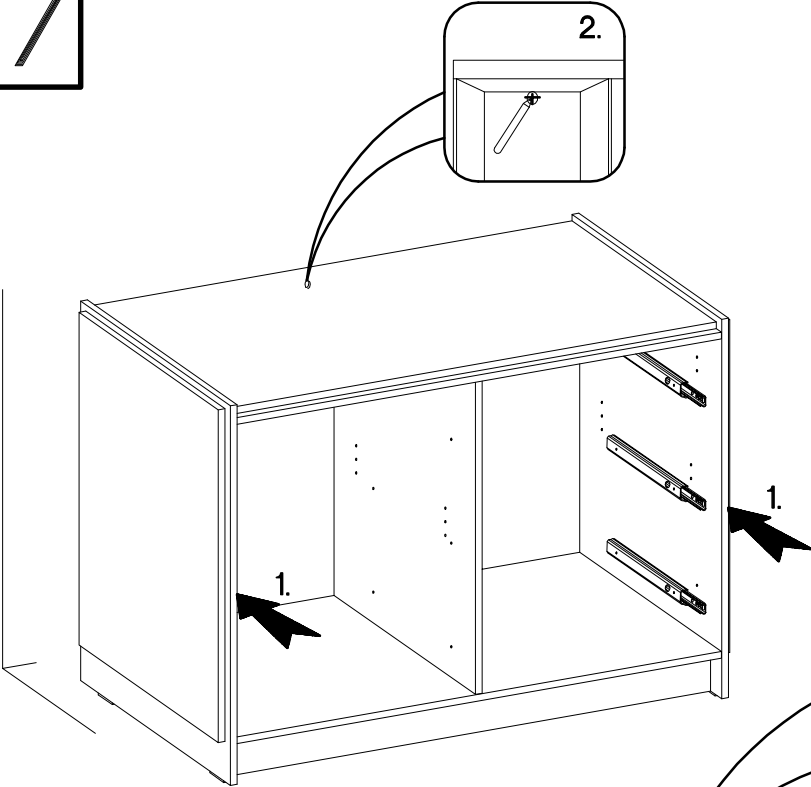
+3.5x25mm BLACK P25 4	+4.0x16mm P1 1
---	---------------------------------






 P7 13	 L2 5	 L 10
--	---	---

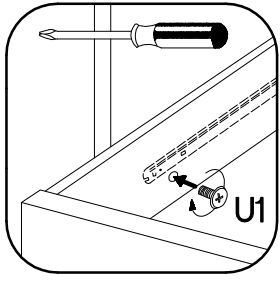
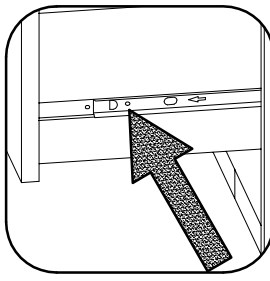
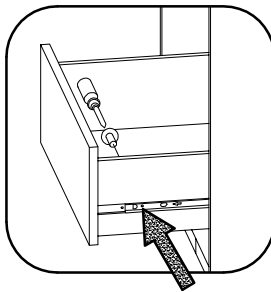
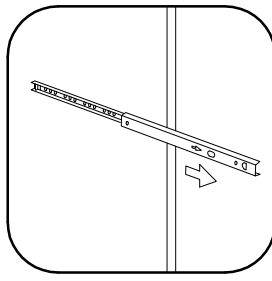
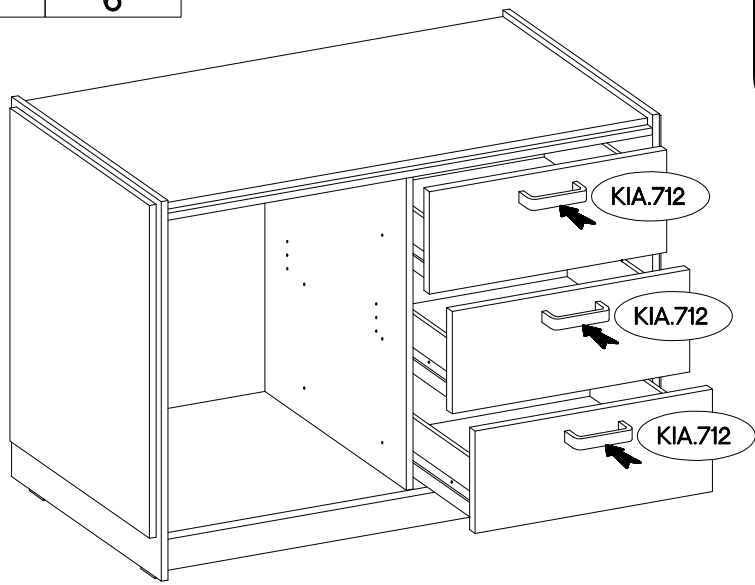
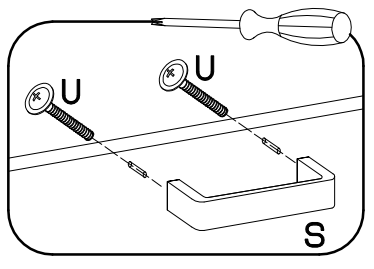


$\pm 10 \times 50 \text{mm}$ 		$\pm 3.5 \times 13 \text{mm}$ 
O7	L9	P5
1	1	1

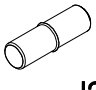




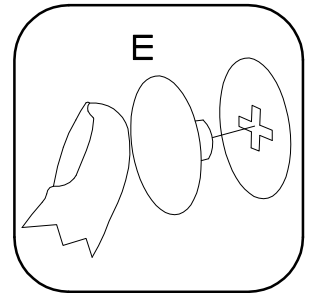
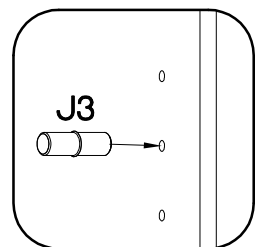
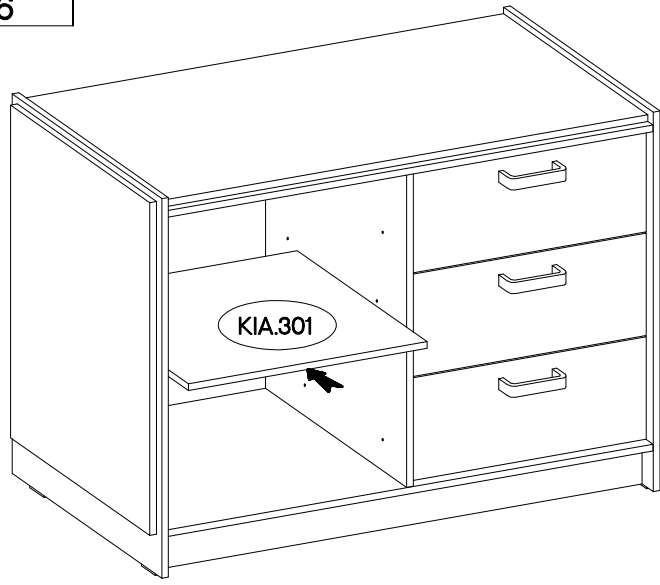
18

L=128mm	M4x22mm	M4x9mm
		
S	U	U1
3	6	6





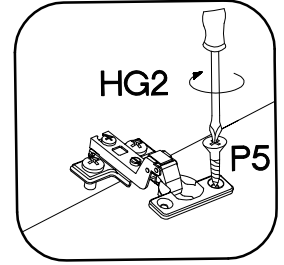
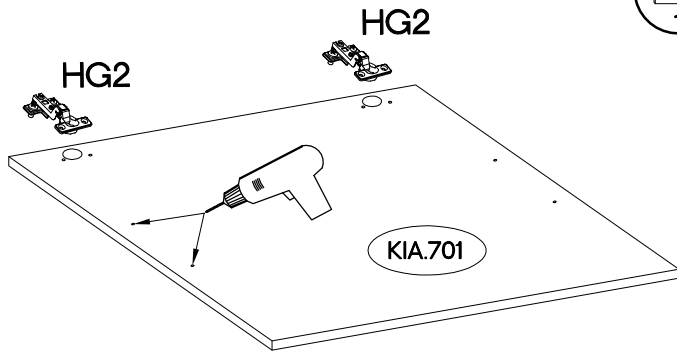
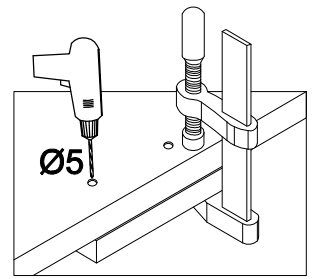
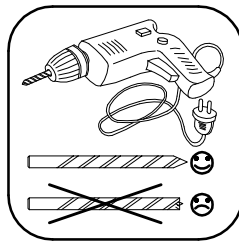
19

±5/16mm			
J3	cza.	E	art.
4	4	6	E





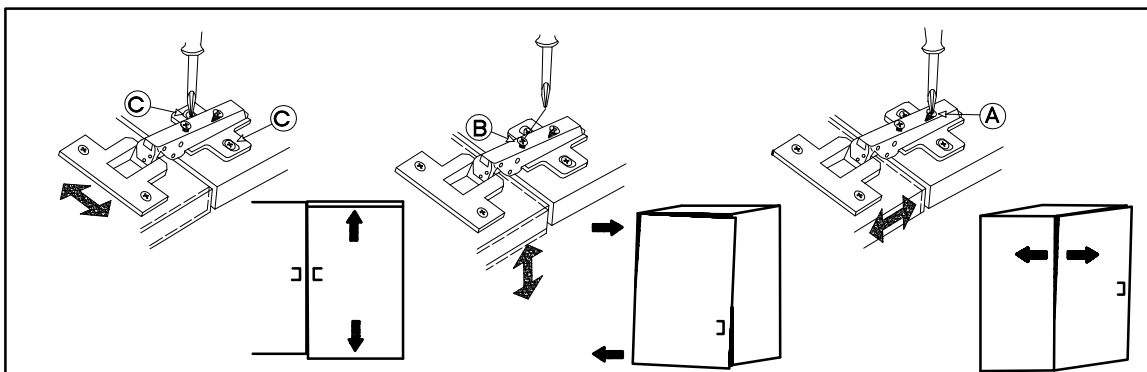
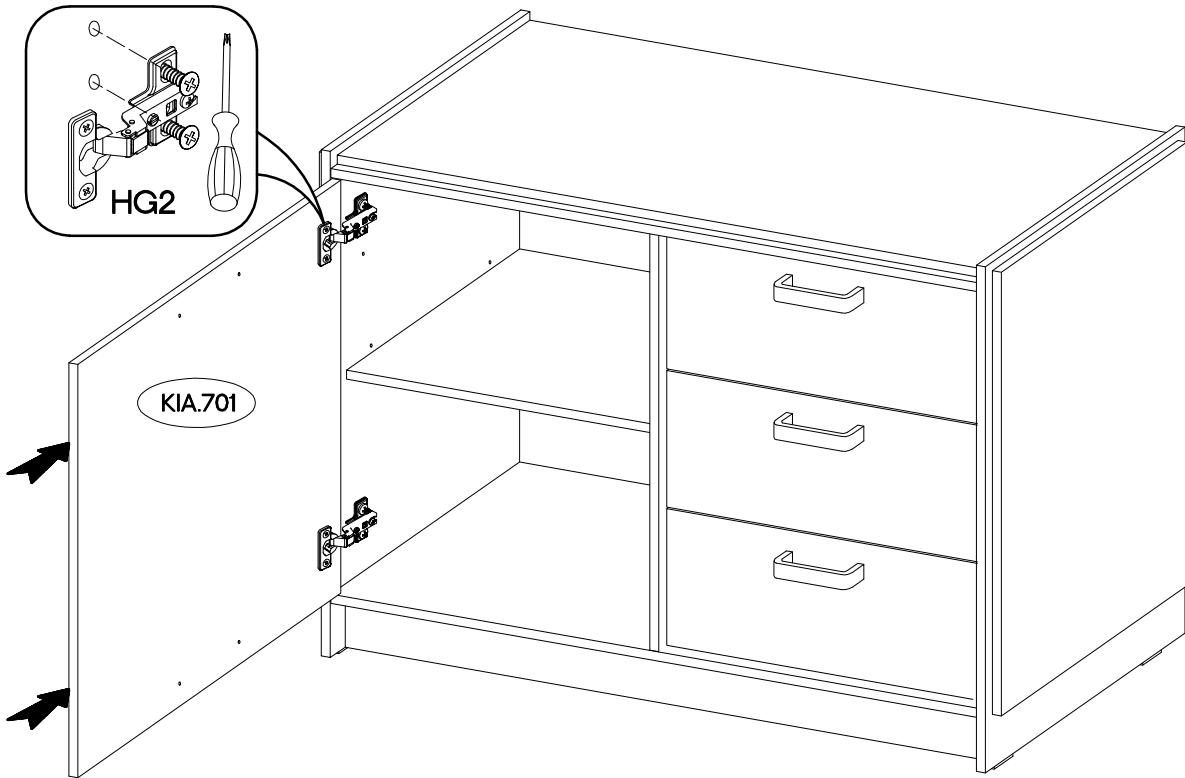
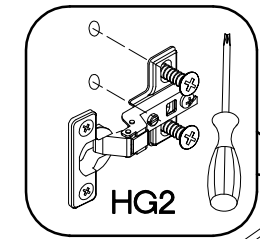
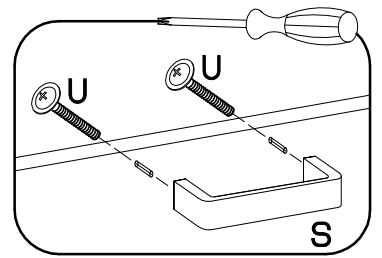
20

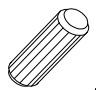
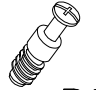

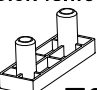
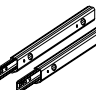


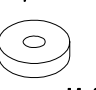
$+35/16\text{mm}$ $+3.5 \times 13\text{mm}$	
	
HG2	P5
2	4

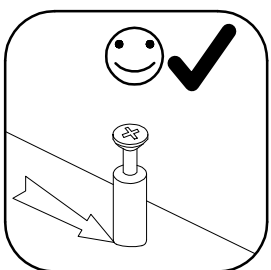
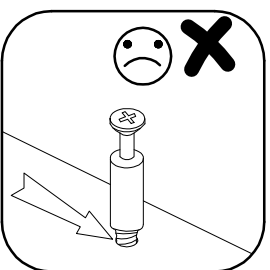
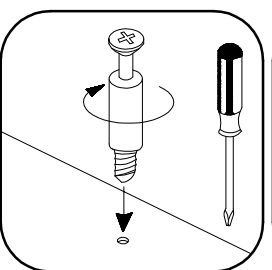
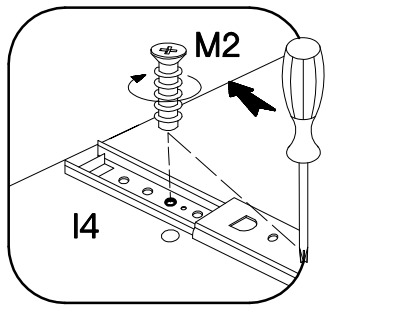
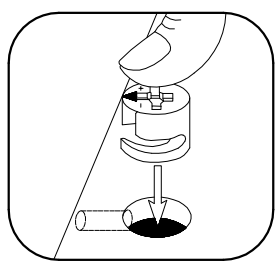
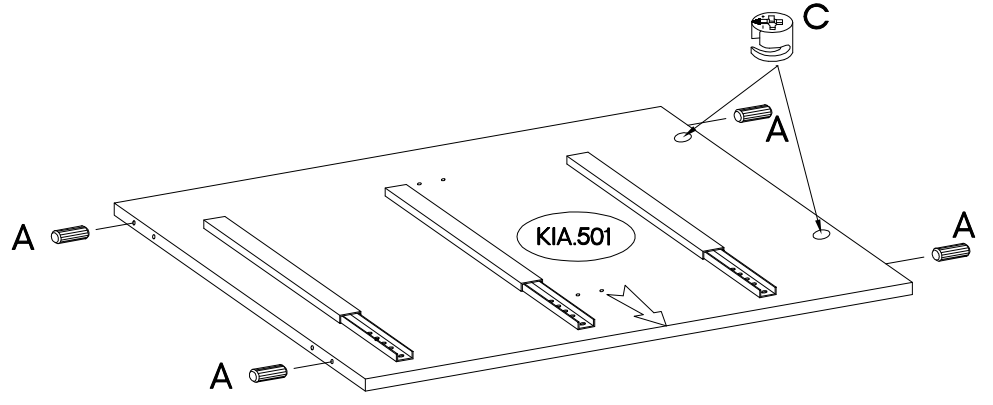
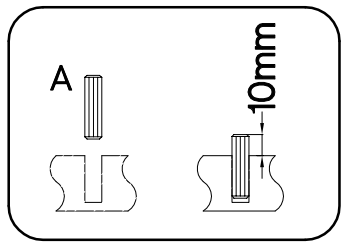
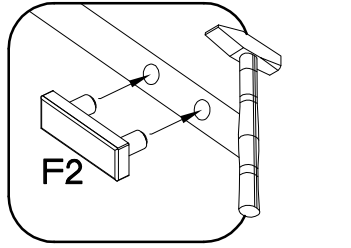
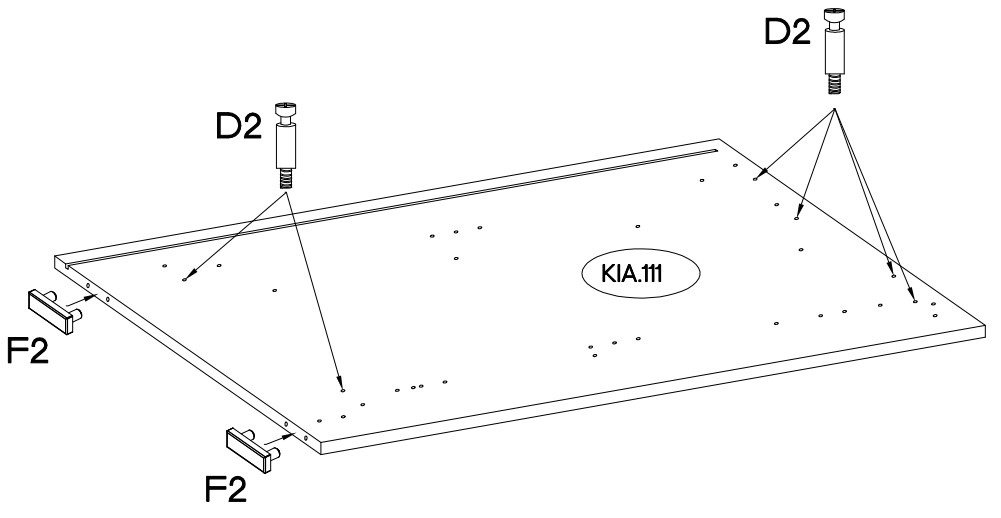
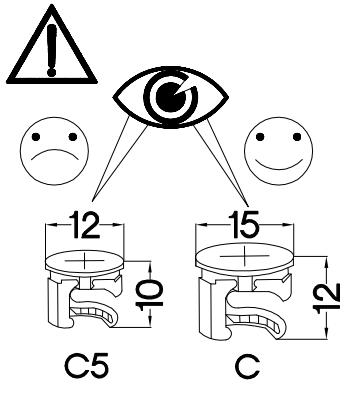
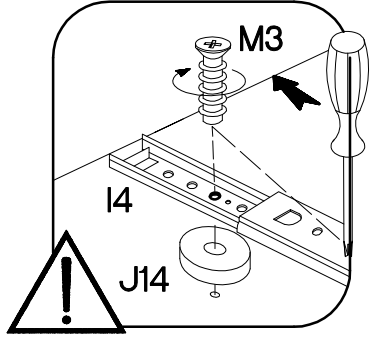
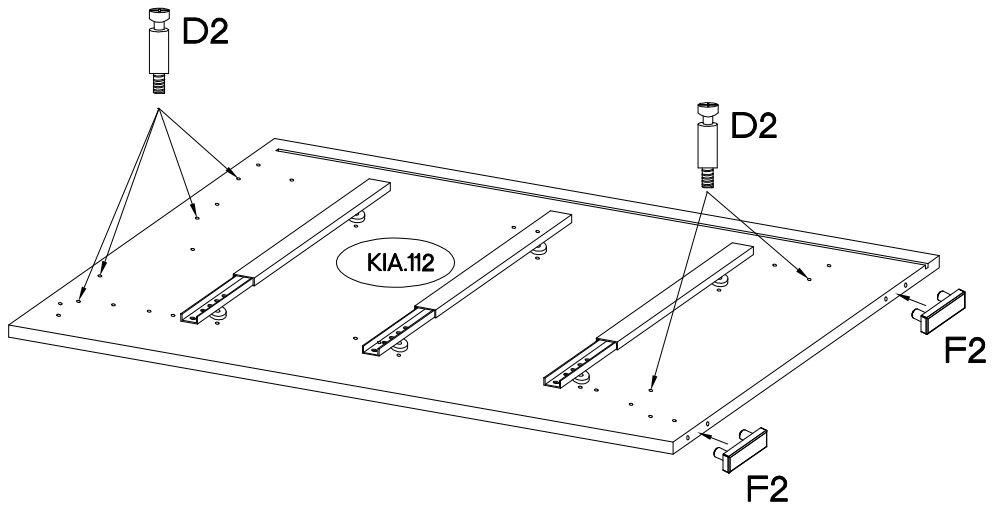
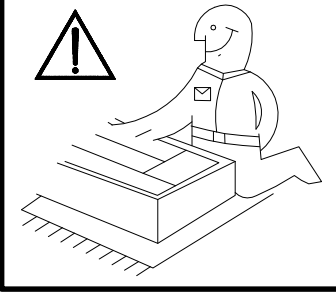


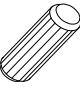
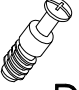




21

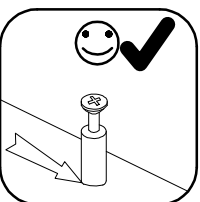
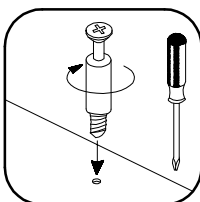
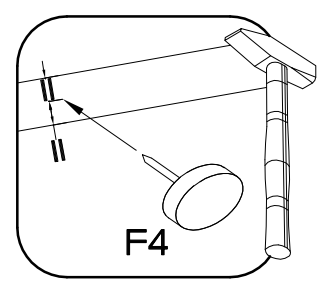
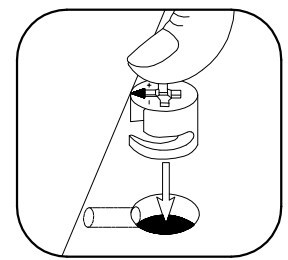
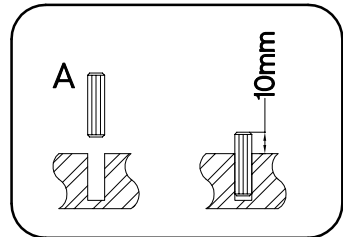
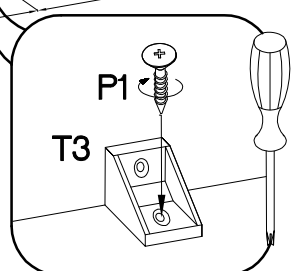
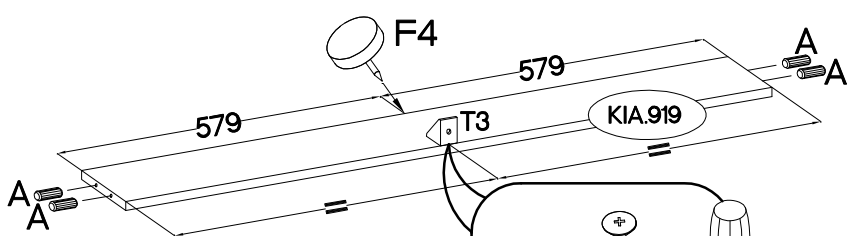
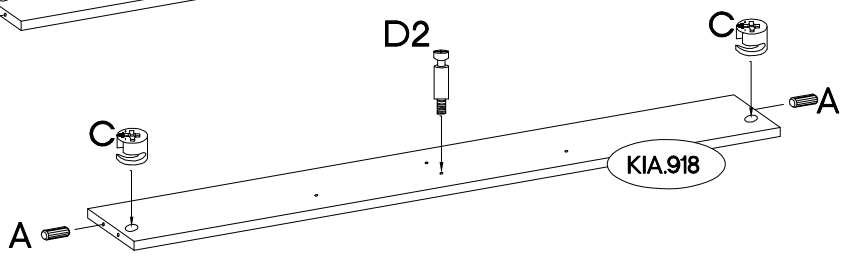
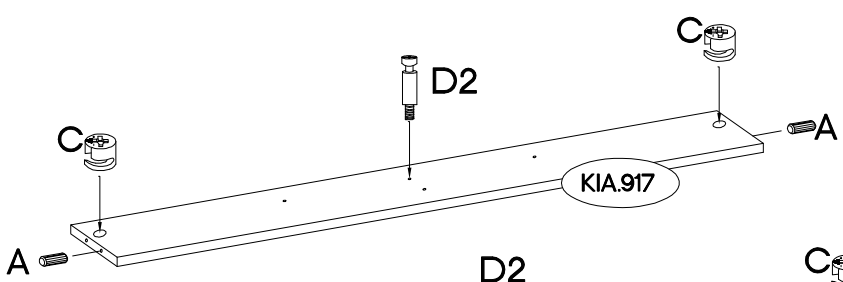
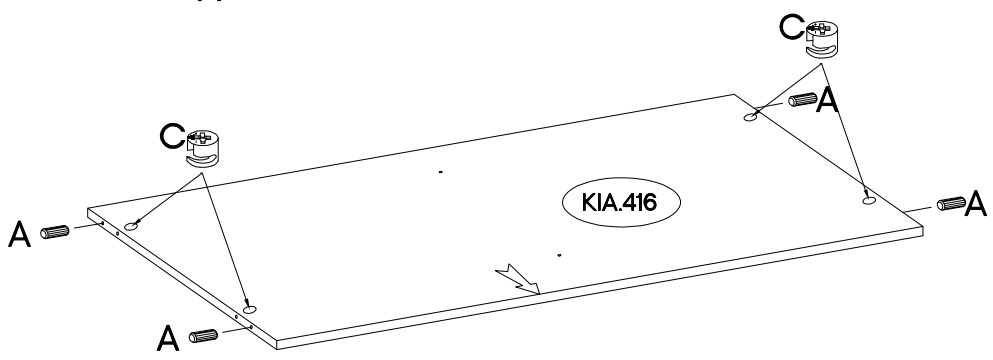
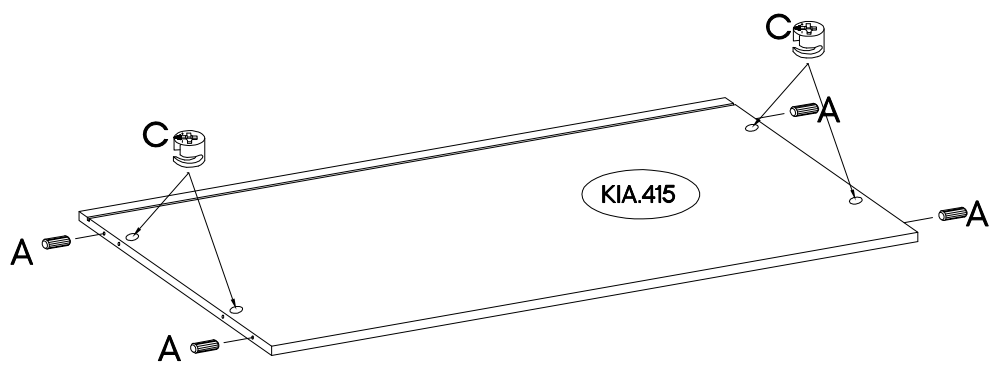
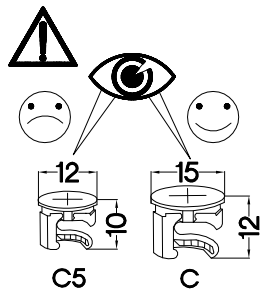
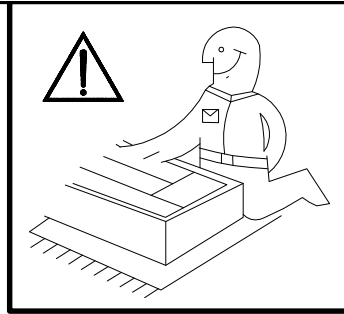
L=128mm	M4x22mm
	
S	U
1	2



†8x30mm	L=20mm	†15/12mm	6.5x48x16	27/310mm	†6.3x13mm	†6.3x20mm	†20/8mm
							
A	D2	C	F2	I4	M2	M3	J14
4	12	2	4	3	6	6	6

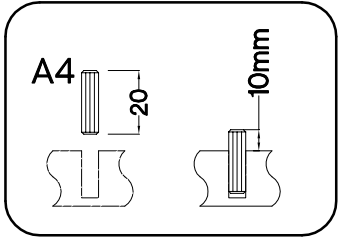
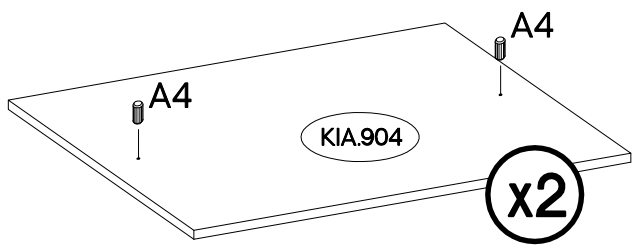
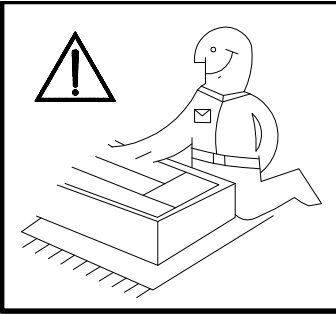


+8x30mm	L=20mm	+15/12mm		+4.0x16mm	+15x5mm
					
A	D2	C	T3	P1	F4
16	2	12	1	1	1



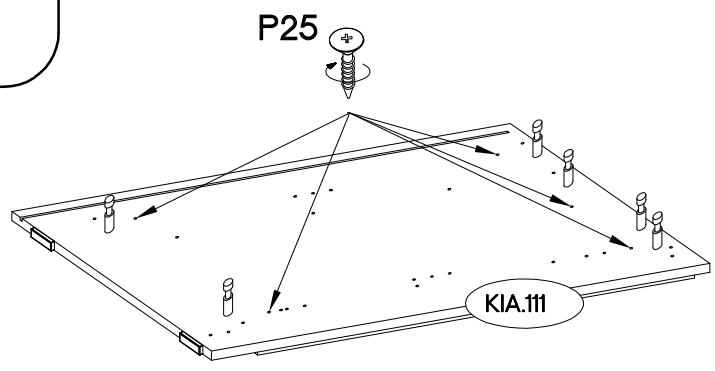
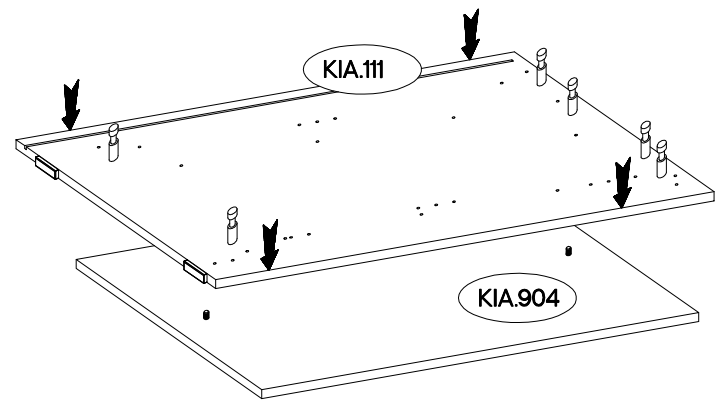
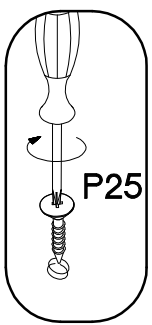
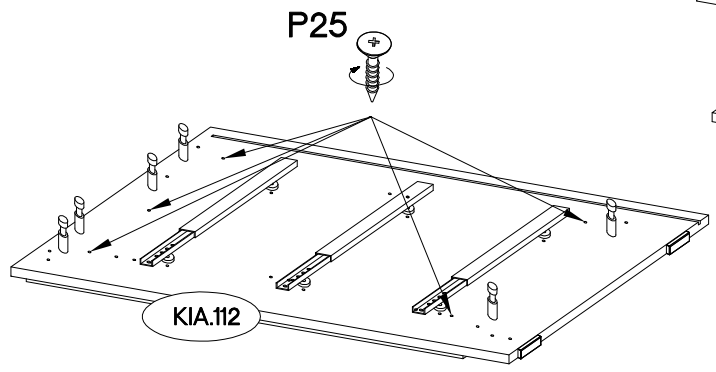
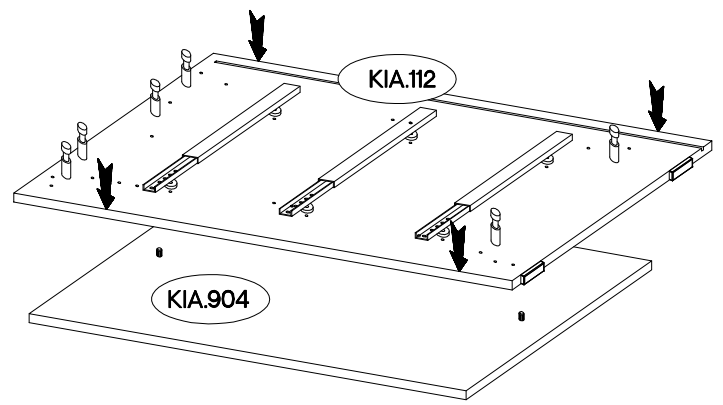
24

±8x20mm
A4
4

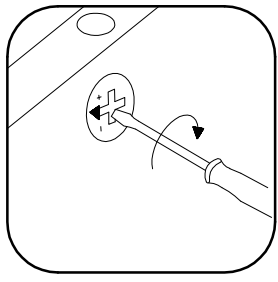
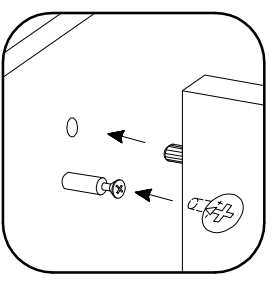
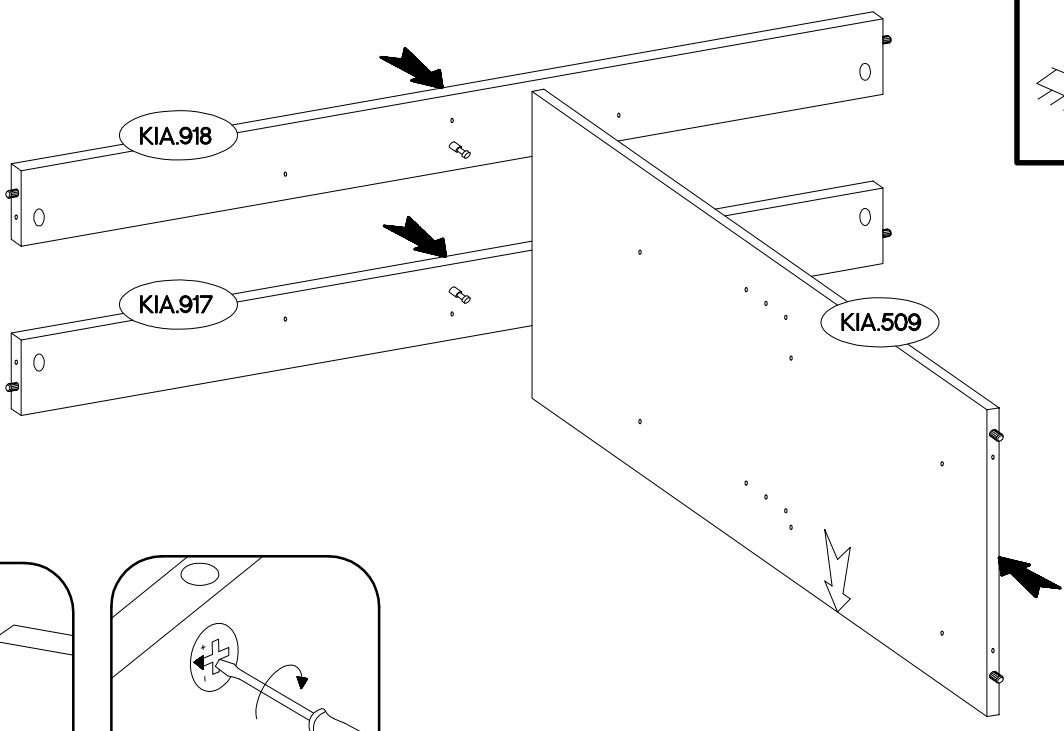
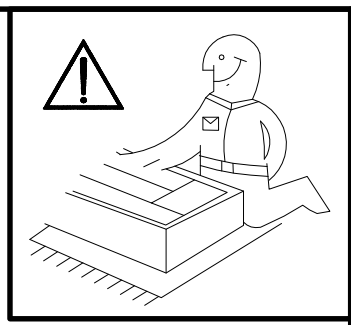


25

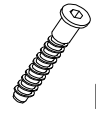
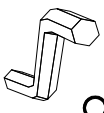
±3.5x25mm
BLACK
P25
10

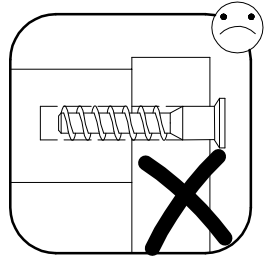
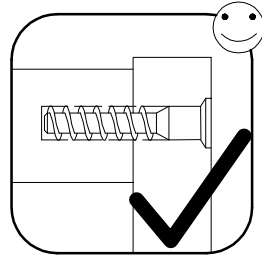
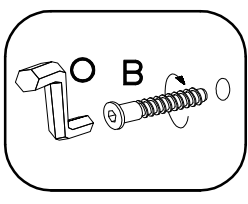
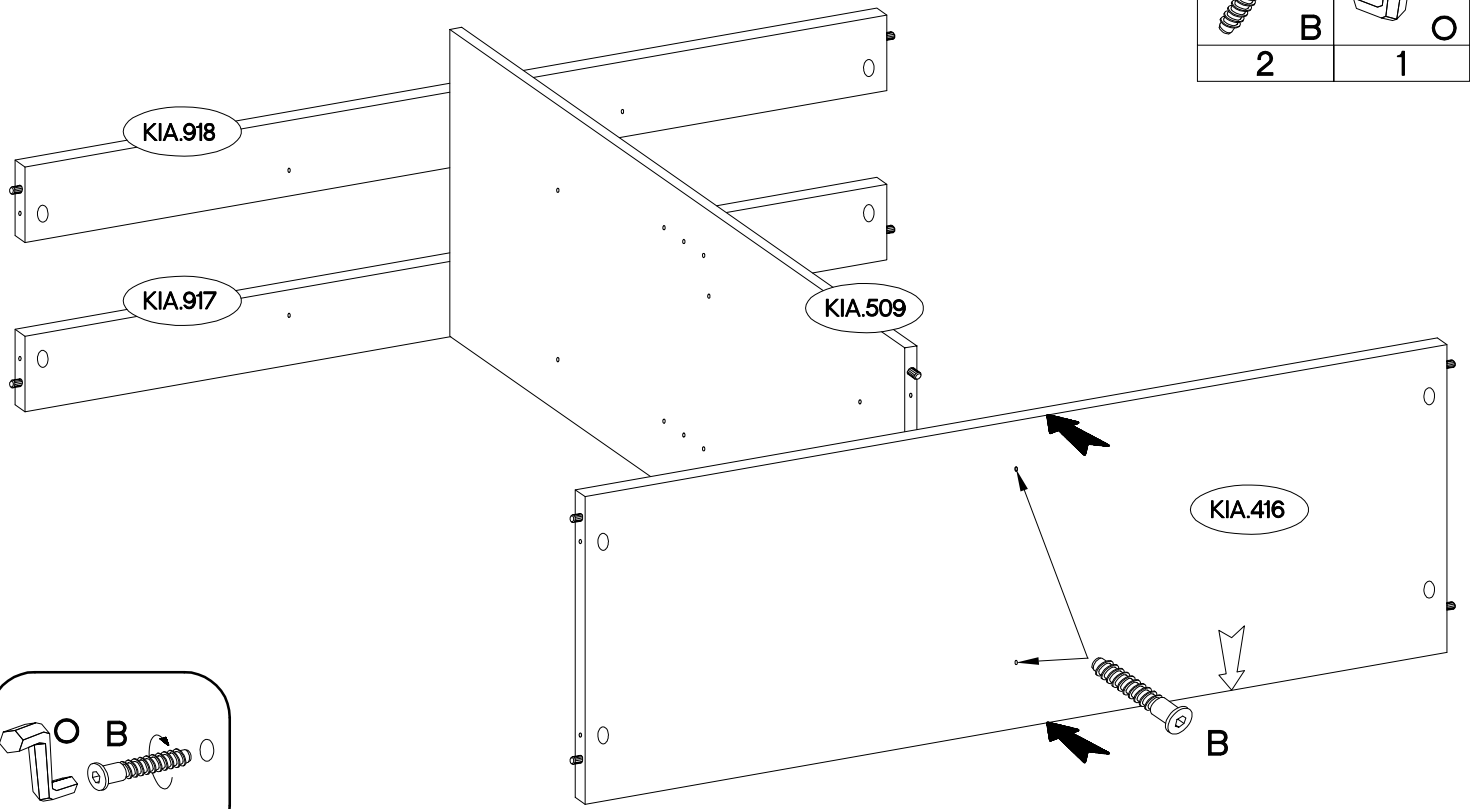


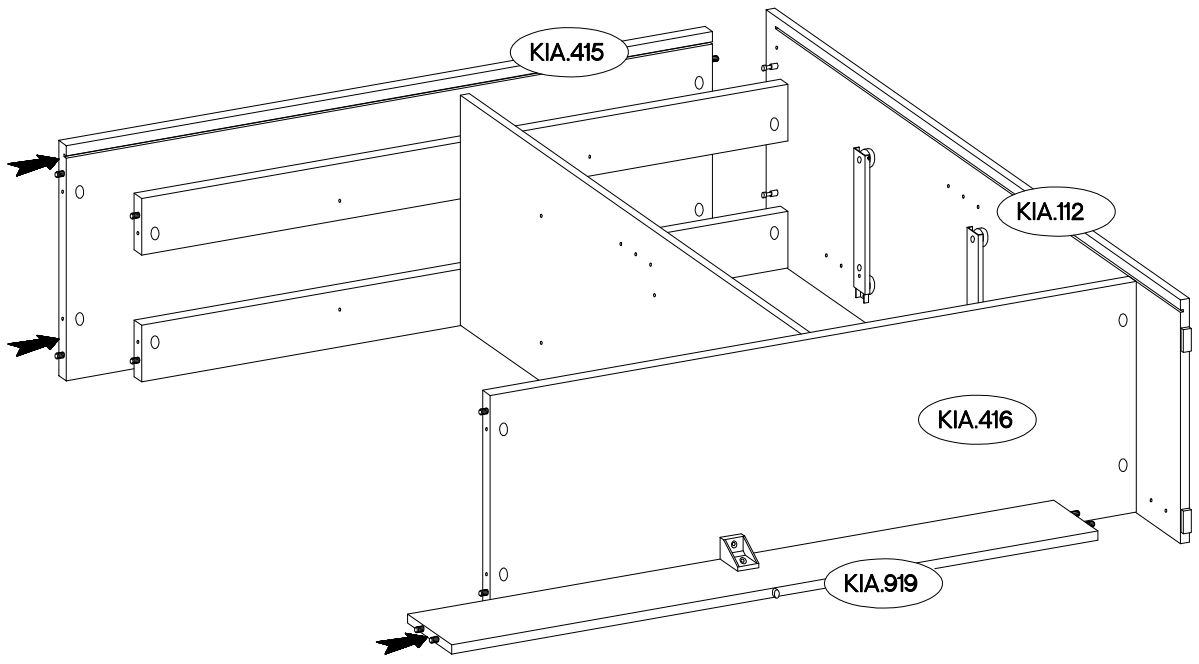
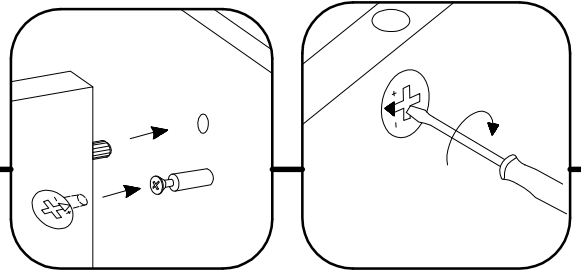
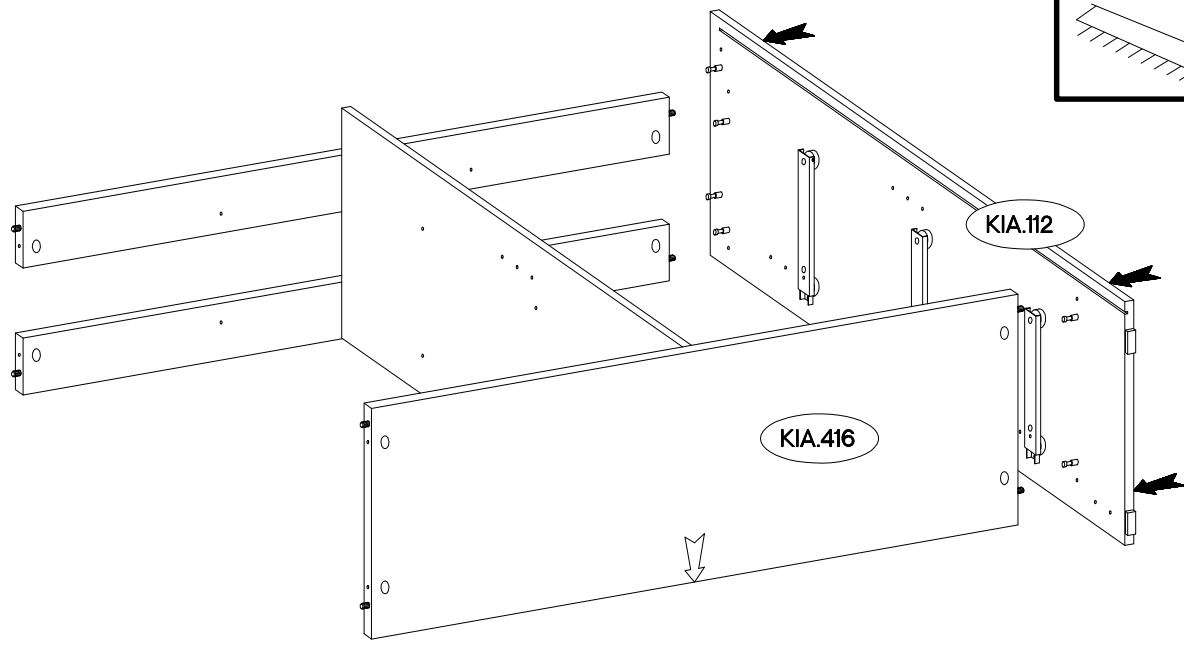
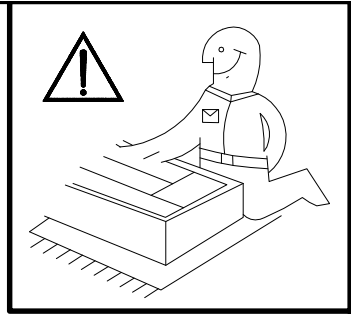
26



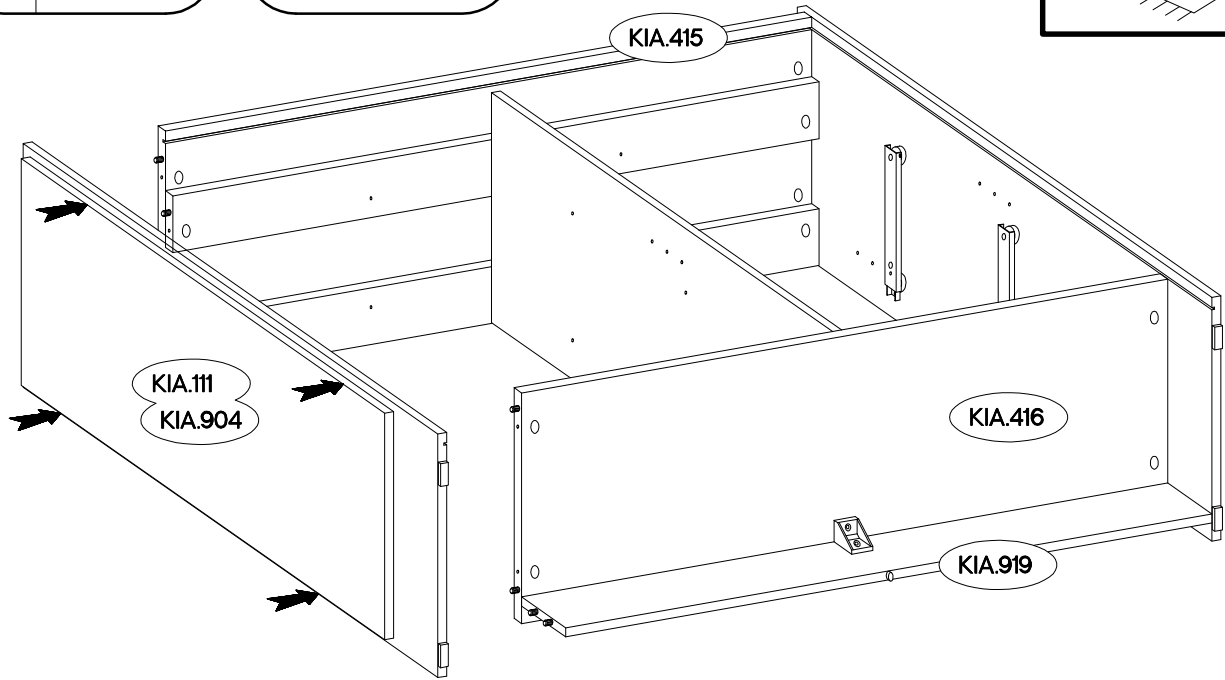
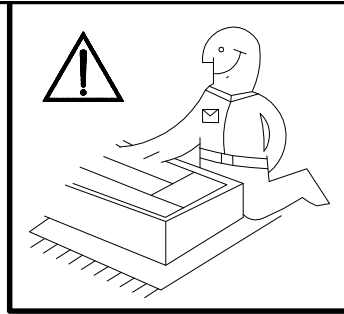
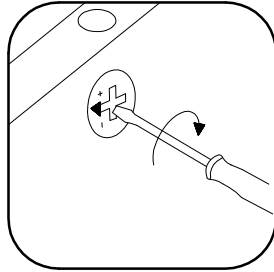
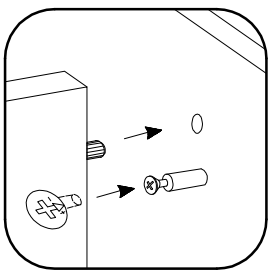
27

6,4 x 50mm	
	
B	O
2	1





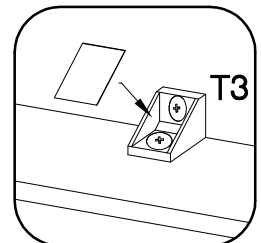
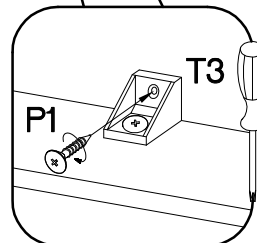
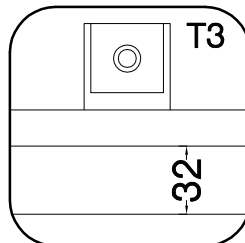
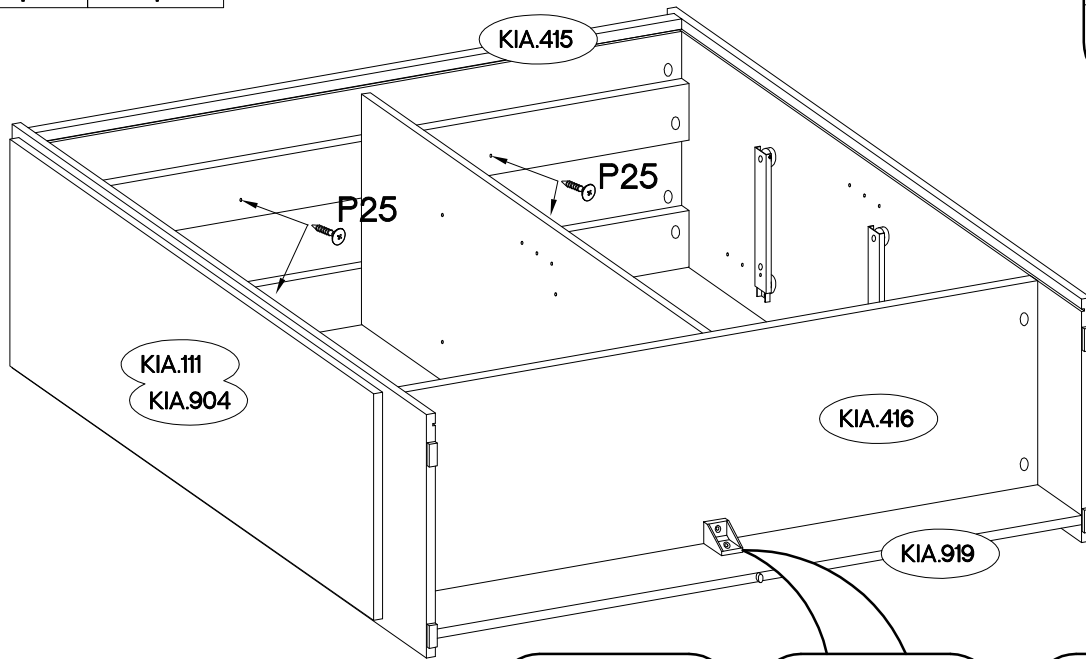
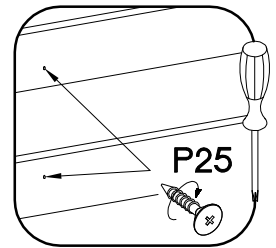



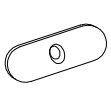
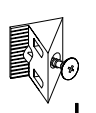
30

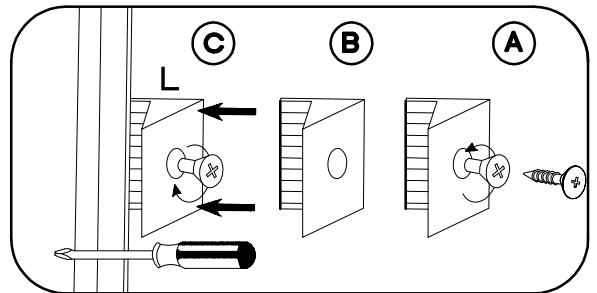
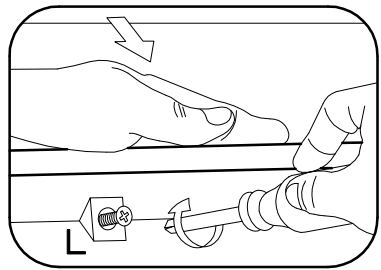
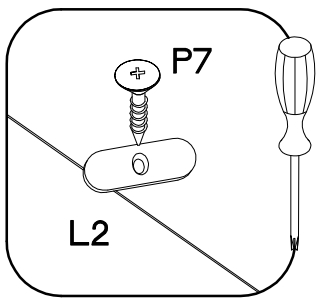
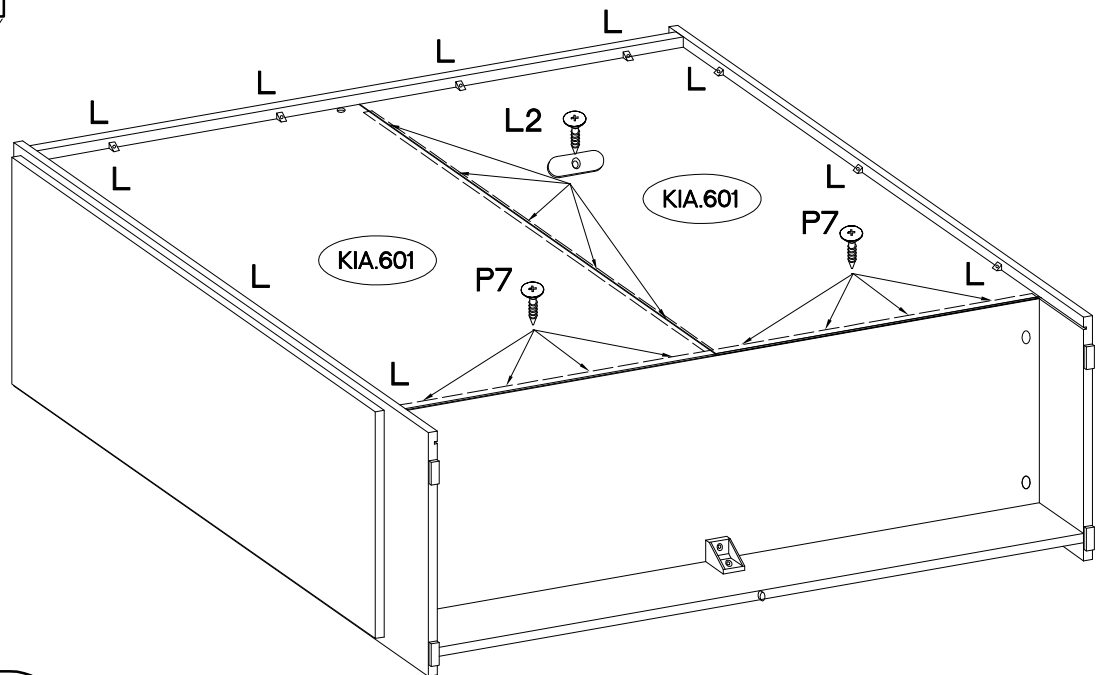
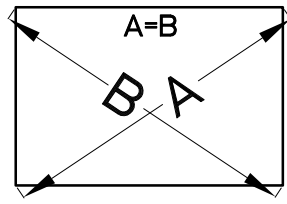
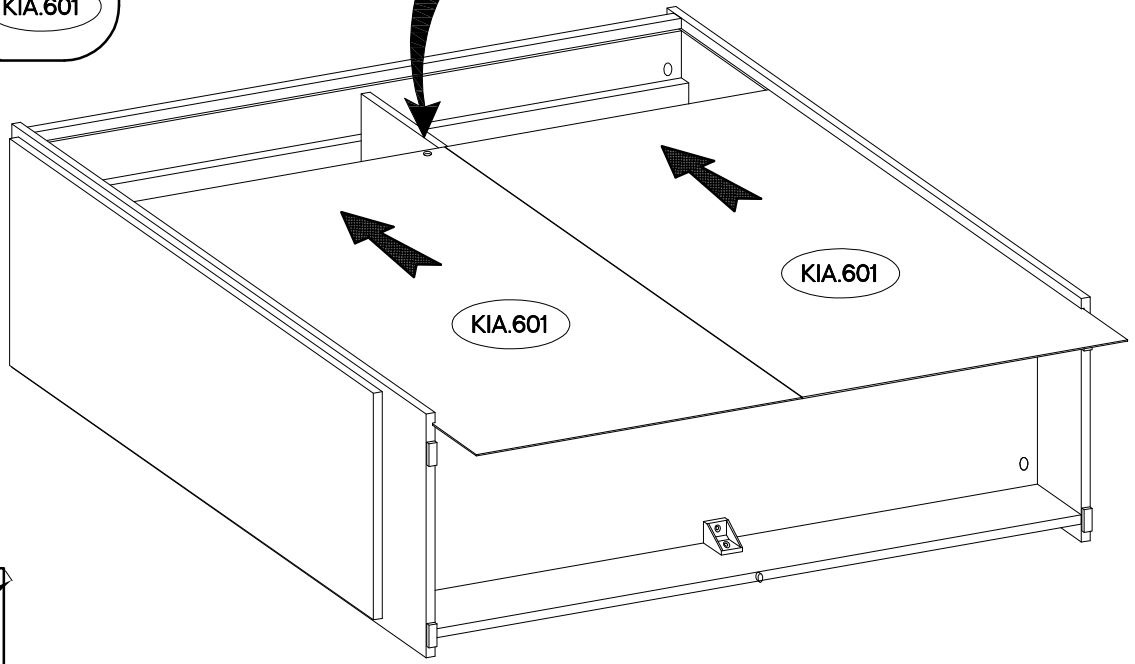
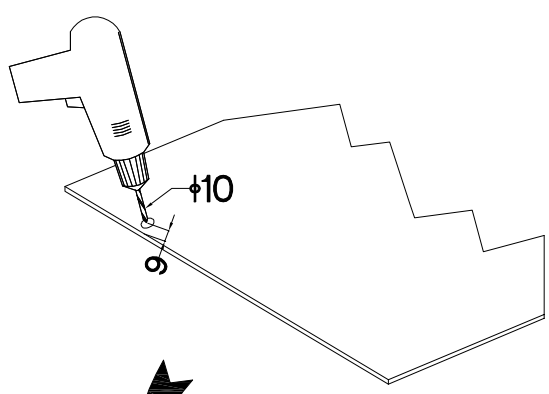
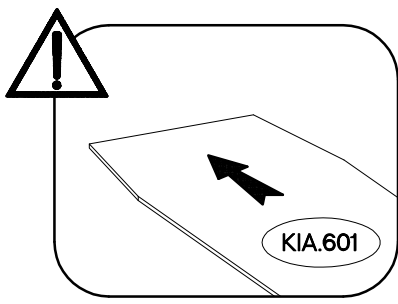
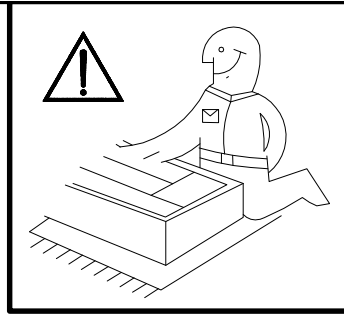





31

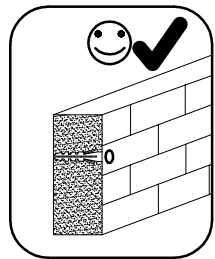
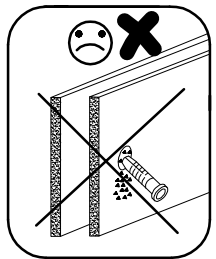
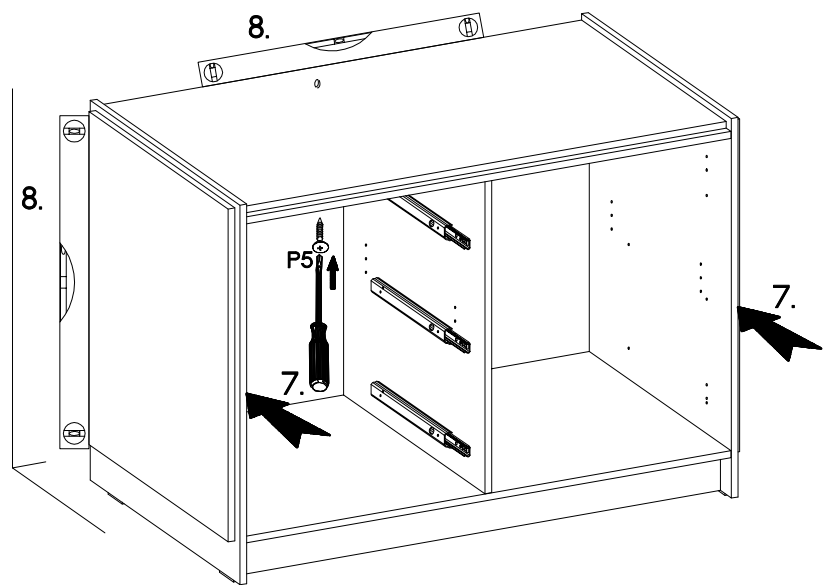
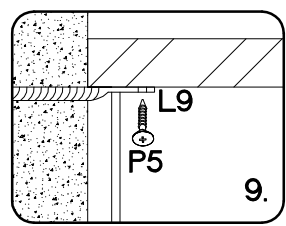
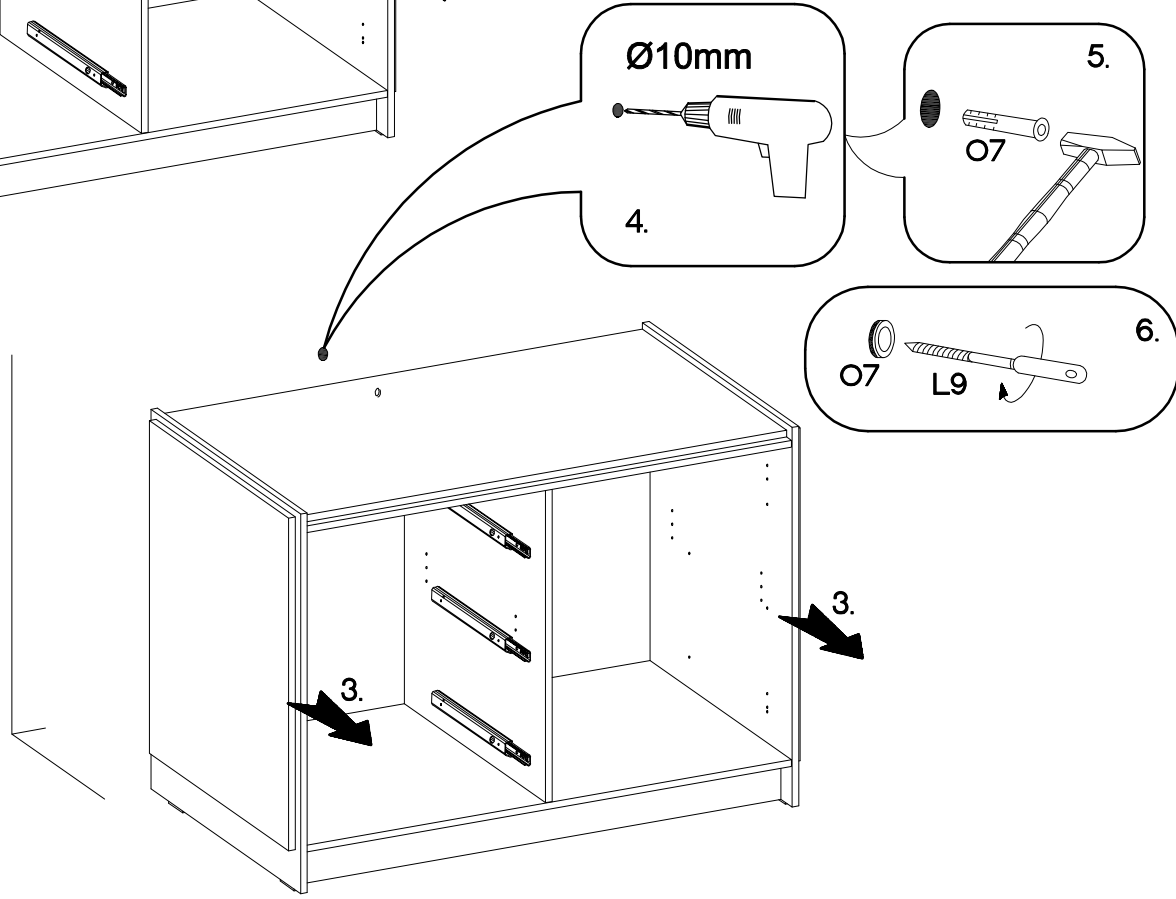
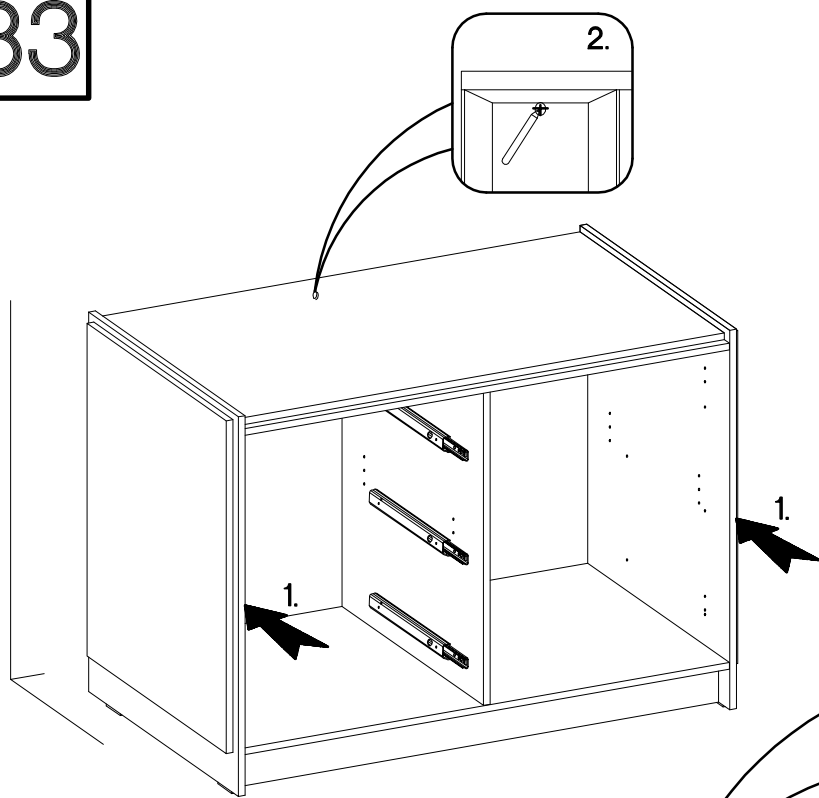
+3.5x25mm BLACK  P25 4	+4.0x16mm  P1 1
--	--



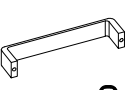


$\pm 3.0 \times 20 \text{mm}$  P7 13	 L2 5	 L 10
---	---	---

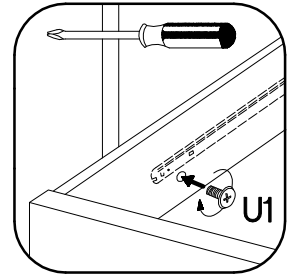
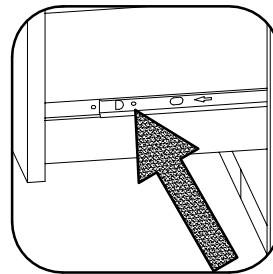
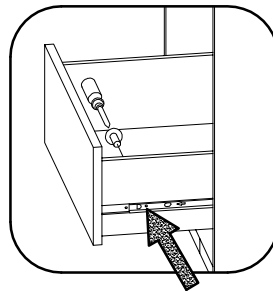
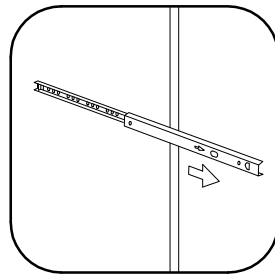
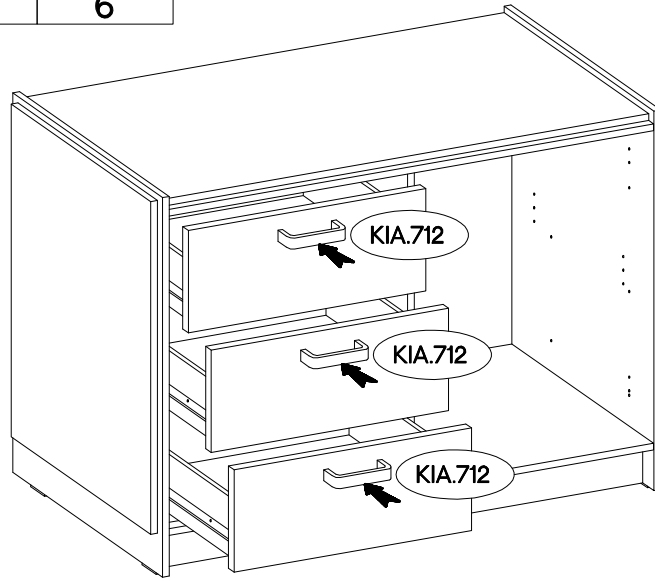
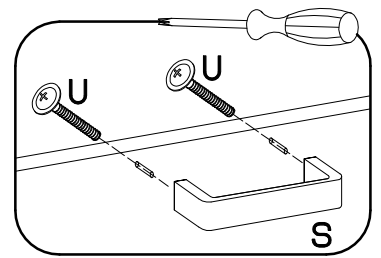


$\pm 10 \times 50 \text{mm}$ 		$\pm 3.5 \times 13 \text{mm}$ 
O7	L9	P5
1	1	1

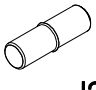




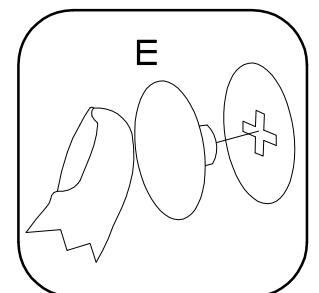
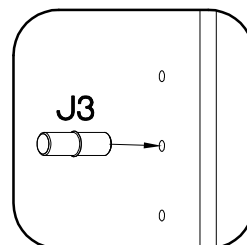
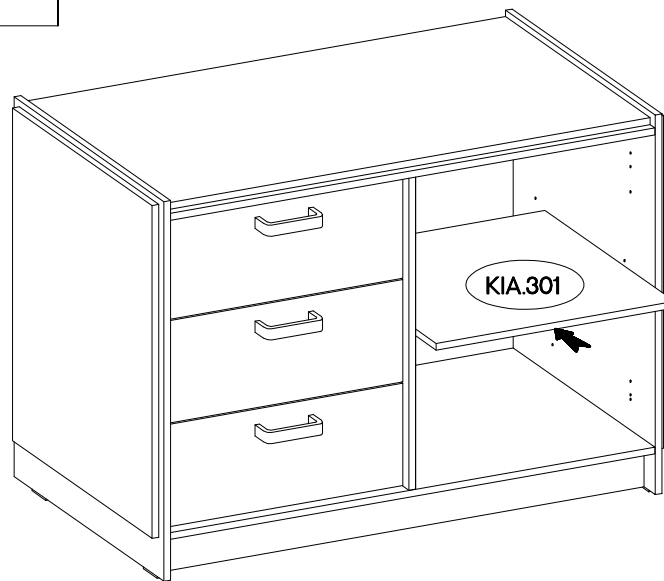
34

L=128mm	M4x22mm	M4x9mm
		
S	U	U1
3	6	6





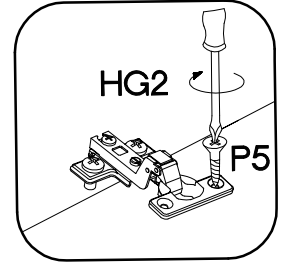
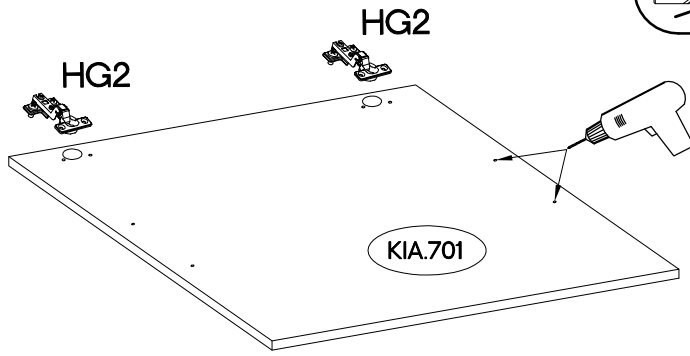
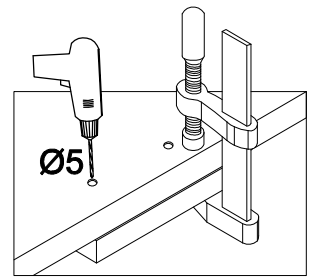
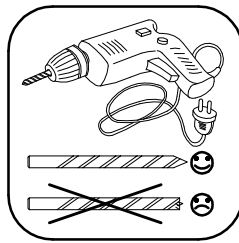
35

±5/16mm			
J3	cza.	E	art.
4	4	6	E

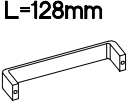



36

 HG2 2	 P5 4
--	---



37

 S 1	 U 2
---	---

