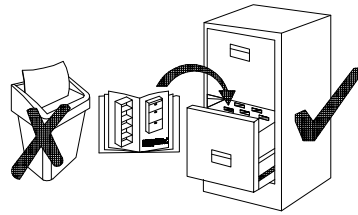
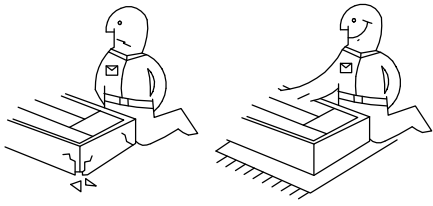
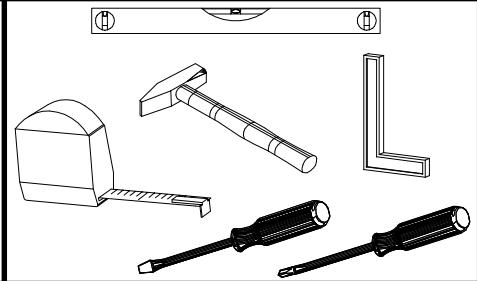
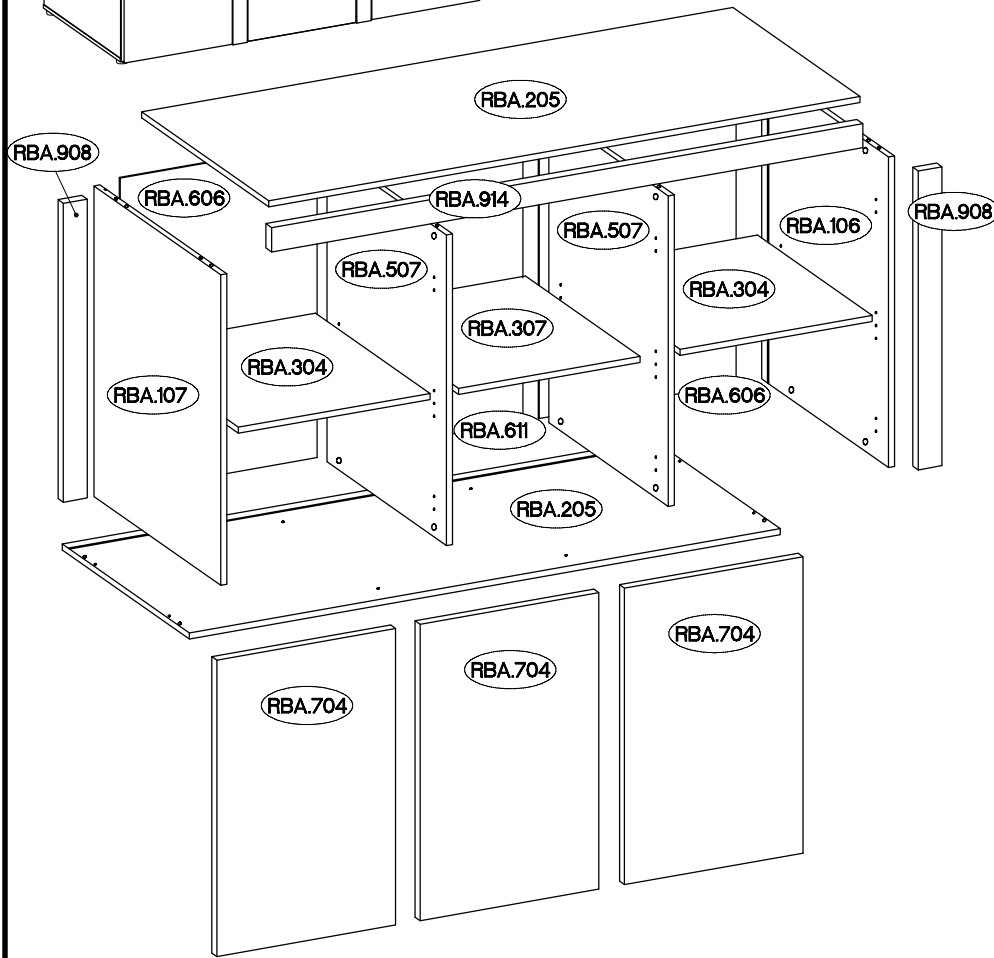
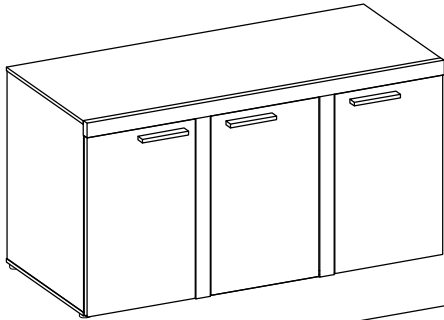


# RUMBA 852



- BJ203F
- WH203F
- DL203F
- SO203F
- GRDL203F



Coli	Ersatzteil Nummer	Dimension
1/1	RBA.106	770x384x15
	RBA.107	770x384x15
	RBA.206 x2	972x384,5x15
	RBA.304	483x347x15
	RBA.306	440x347x15
	RBA.507	770x362x15
	RBA.606	779x496x2,5
	RBA.612	779x453x2,5
	RBA.704 x2	450x735x2,5
	RBA.915	972x60x18
	RBA.908	741x60x18

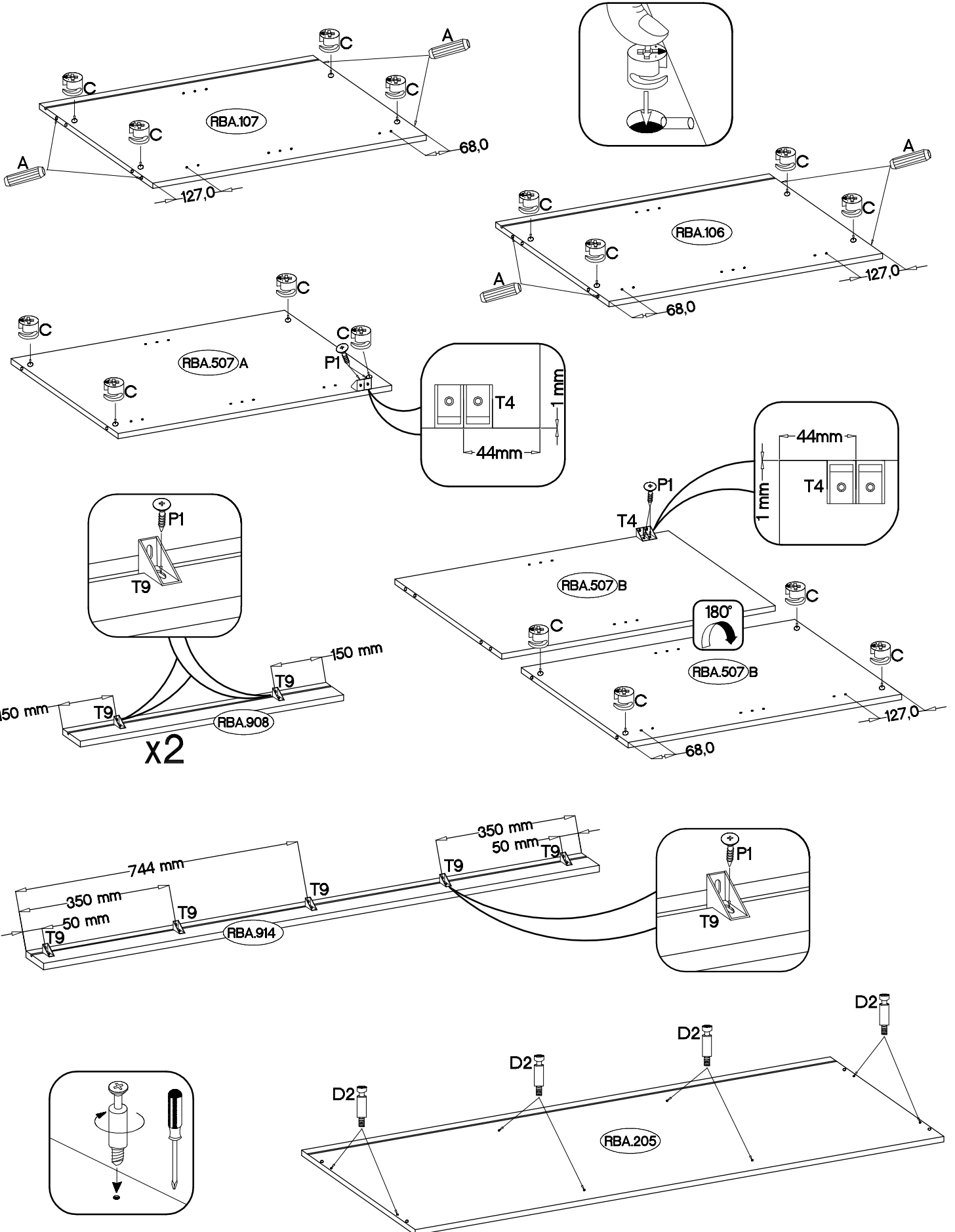
 O7 2	 L9 2	 P1 26
 P14 6	 T9 9	 T4 2

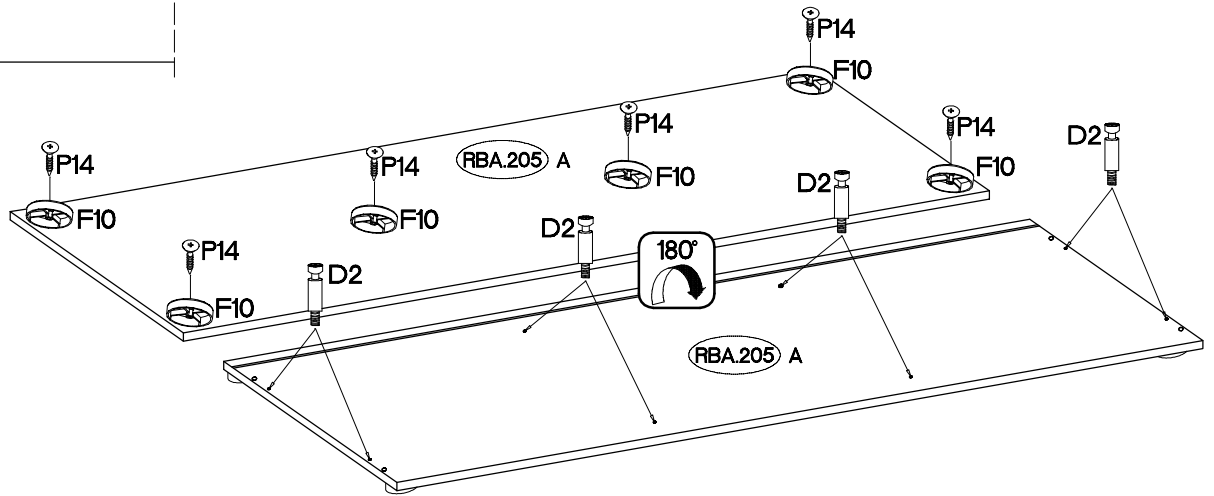
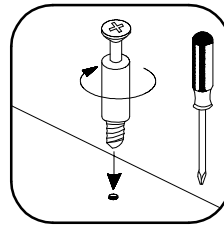
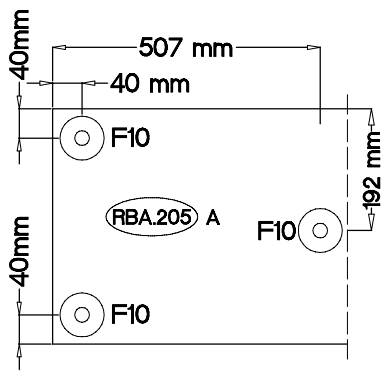
 S1 3	 R2 6	 J3 12	 P7 10	 L2 10	 L 10	 F10 6	 P14 6	 T9 9	 T4 2
 A 8	 D2 16	 C 16	 E 16	 H 6	 G 4	 G2 2	 P5 14		

ISM-RBA-03

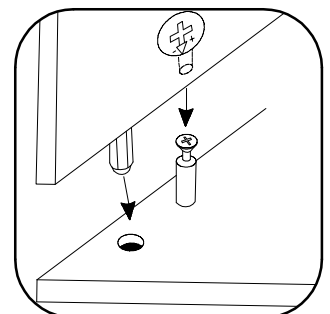
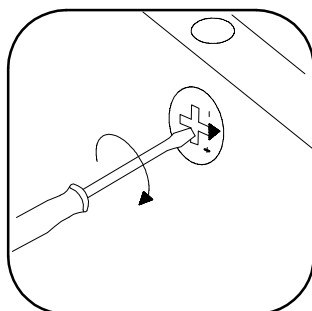
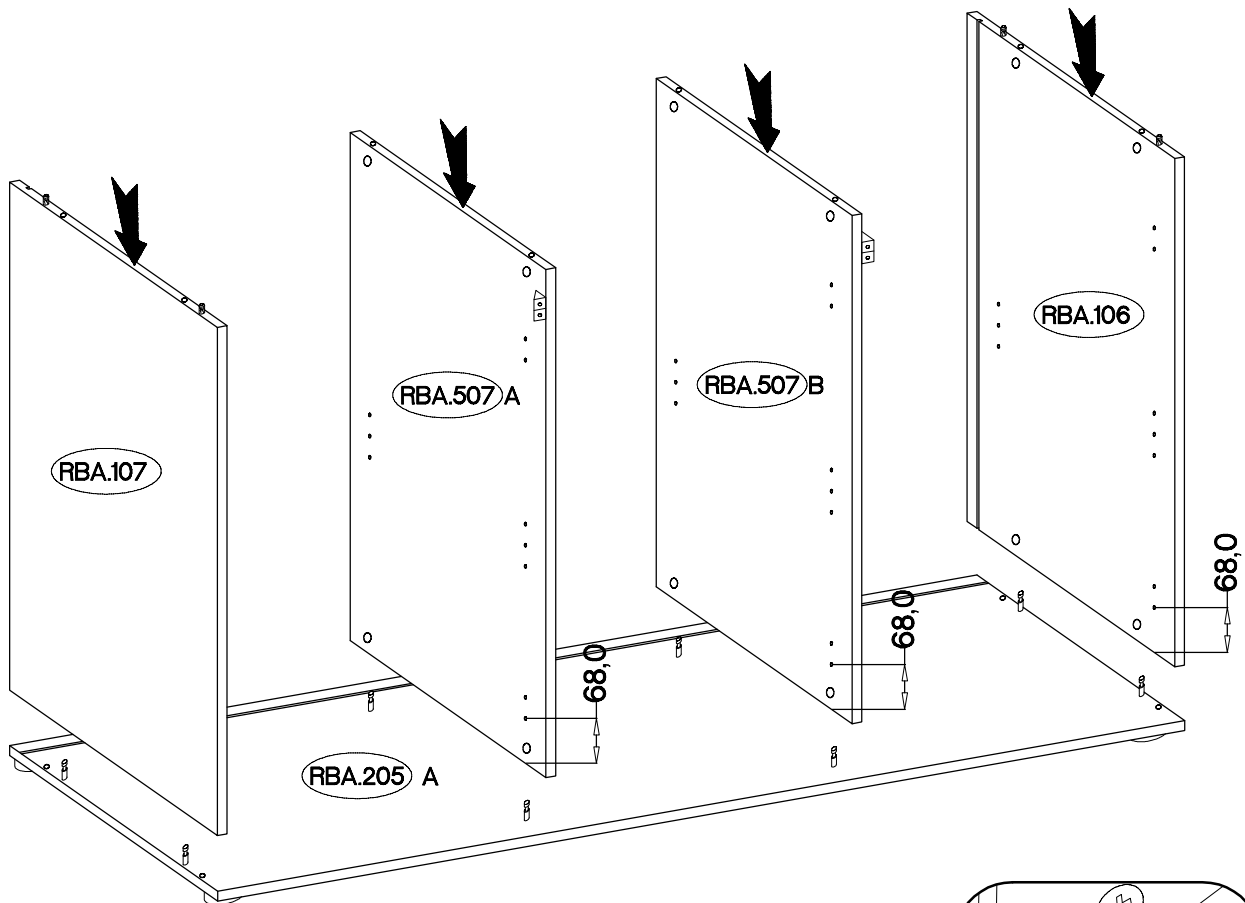
1

±8x30mm <b>A</b>	L=20mm <b>D2</b>	±15/12mm <b>C</b>	<b>T9</b>	<b>T4</b>	<b>F10</b>	±4.0x25mm <b>P14</b>	±4.0x16mm <b>P1</b>
8	16	16	9	2	6	6	13



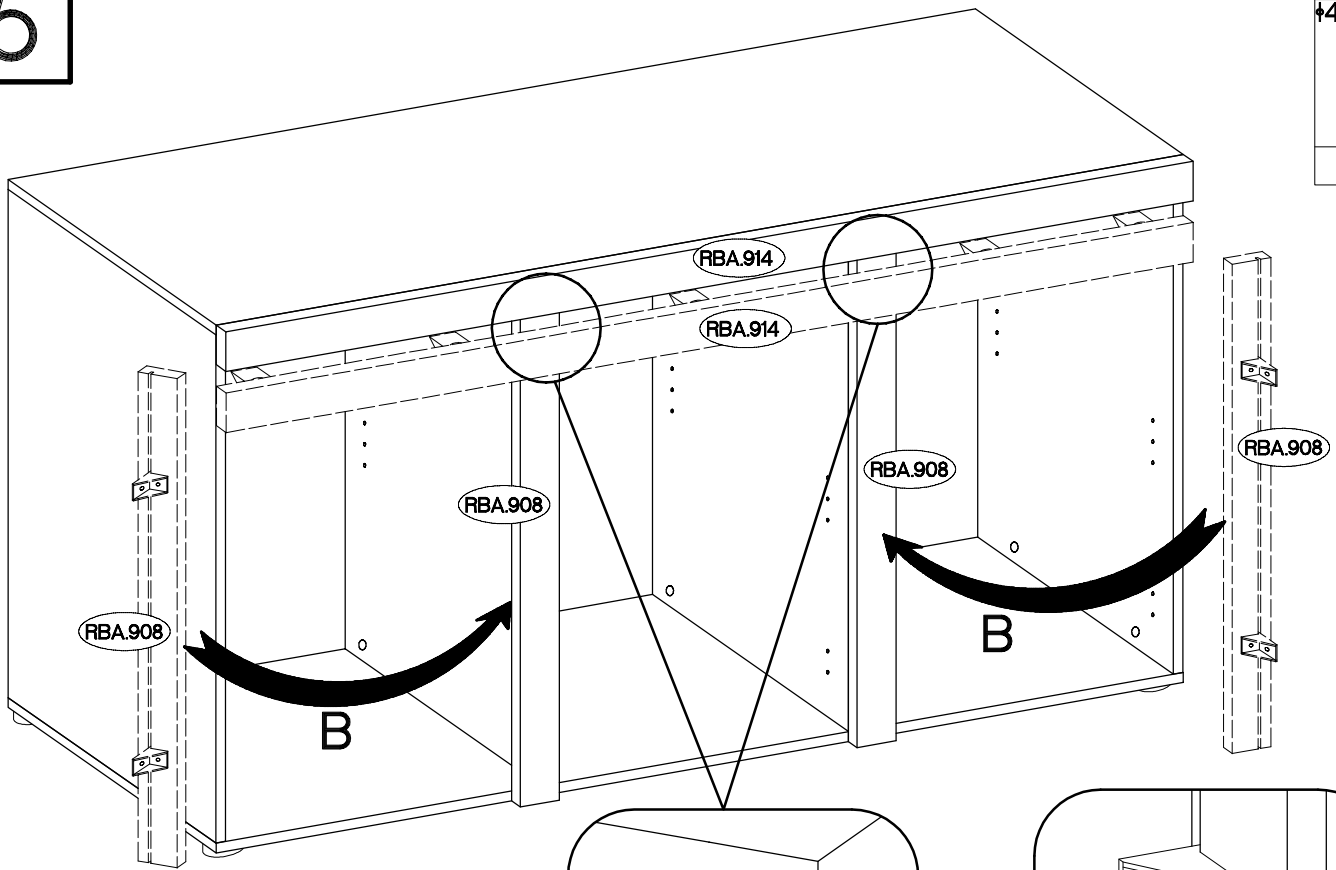


2





5

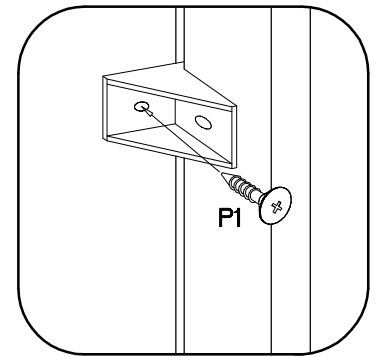
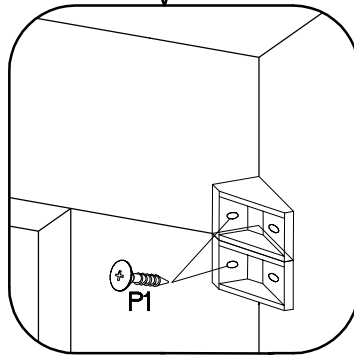


±4.0x16mm

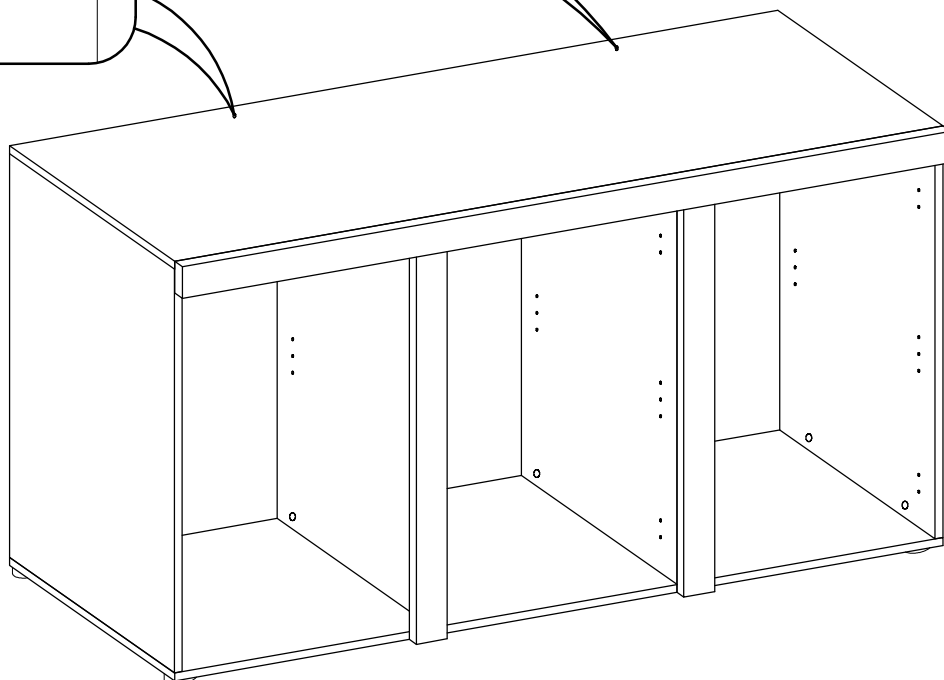
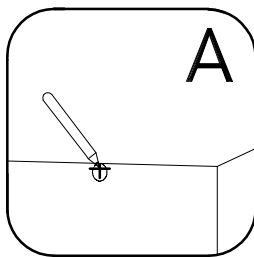


P1

13



6



±10x50mm



O7

2

±3.5x13mm



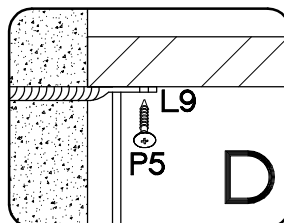
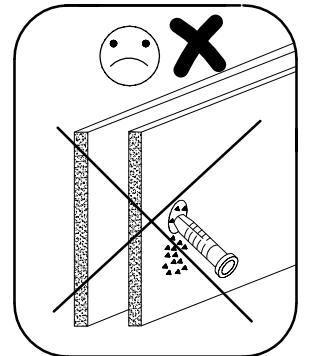
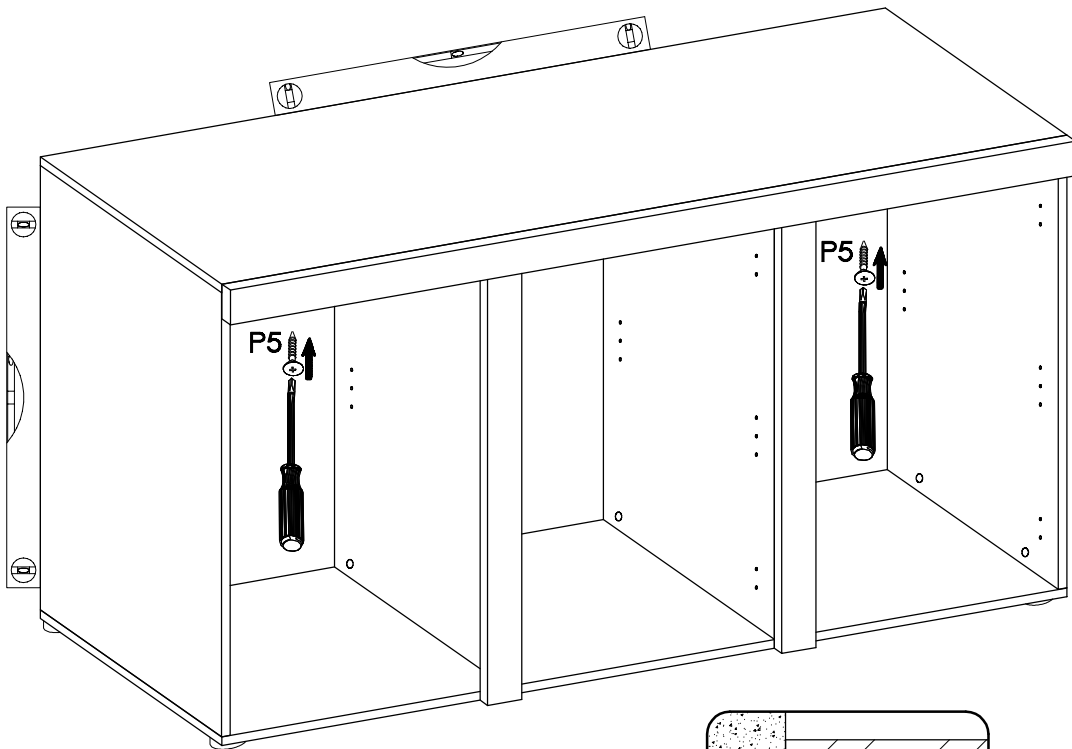
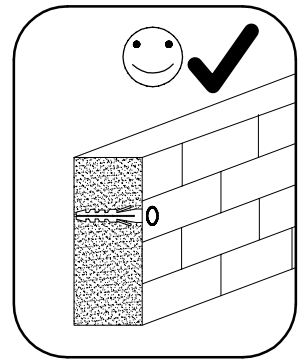
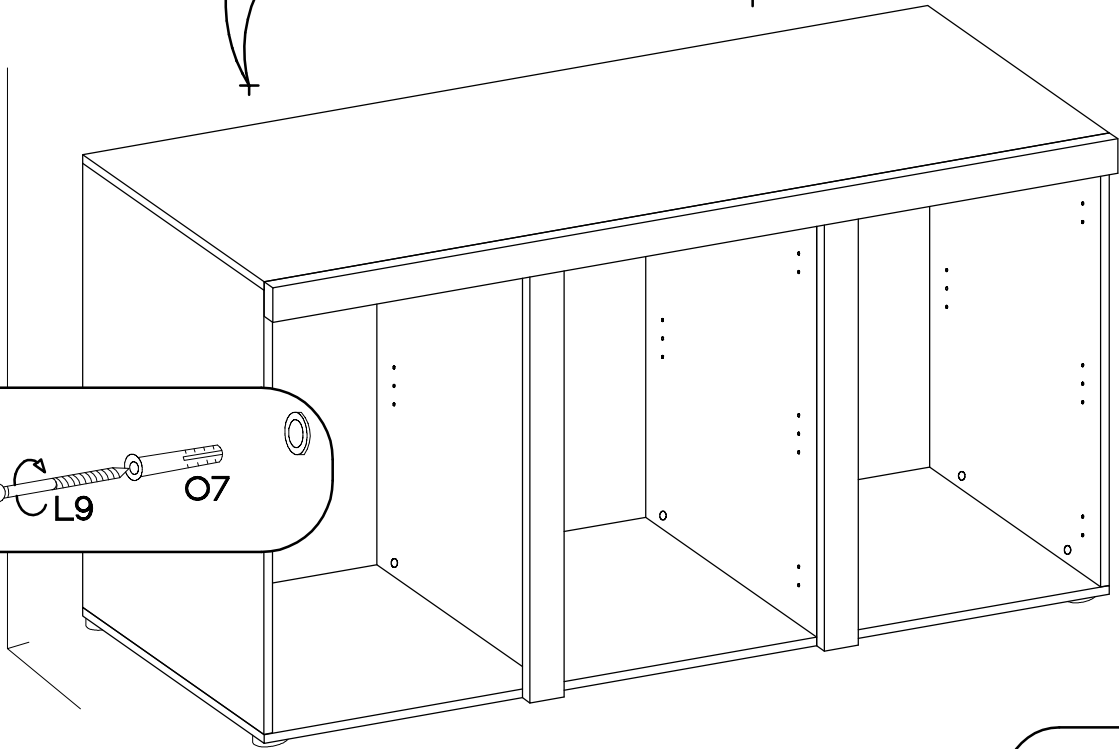
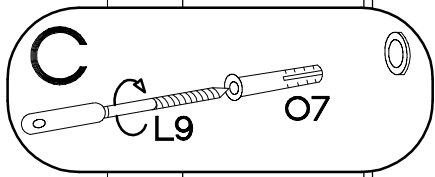
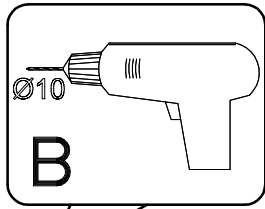
P5

2

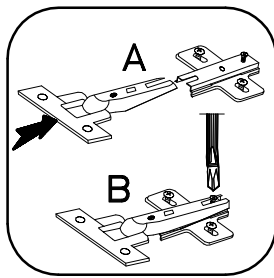


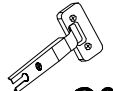

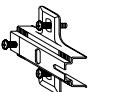
L9

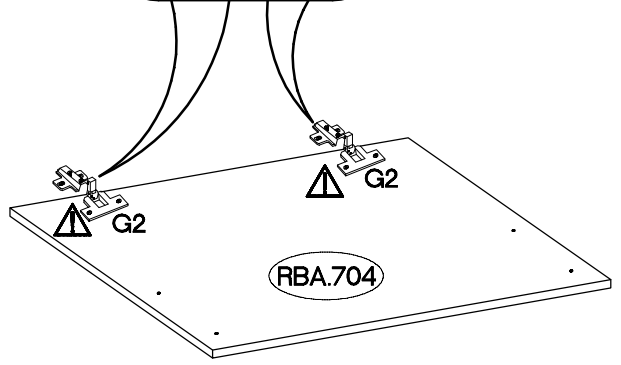
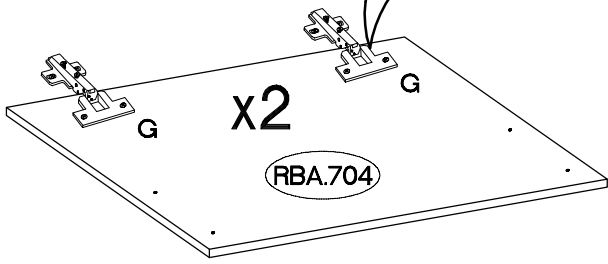
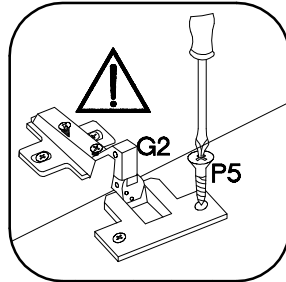
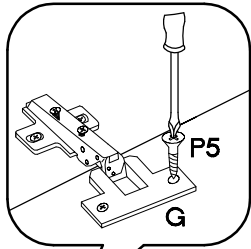
2



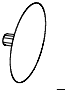
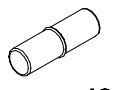
7

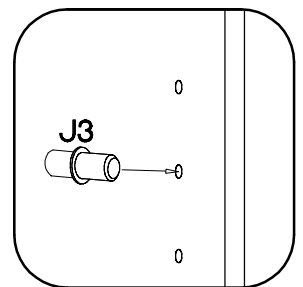
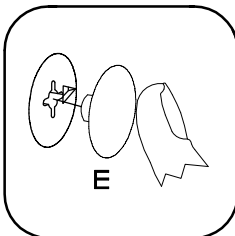
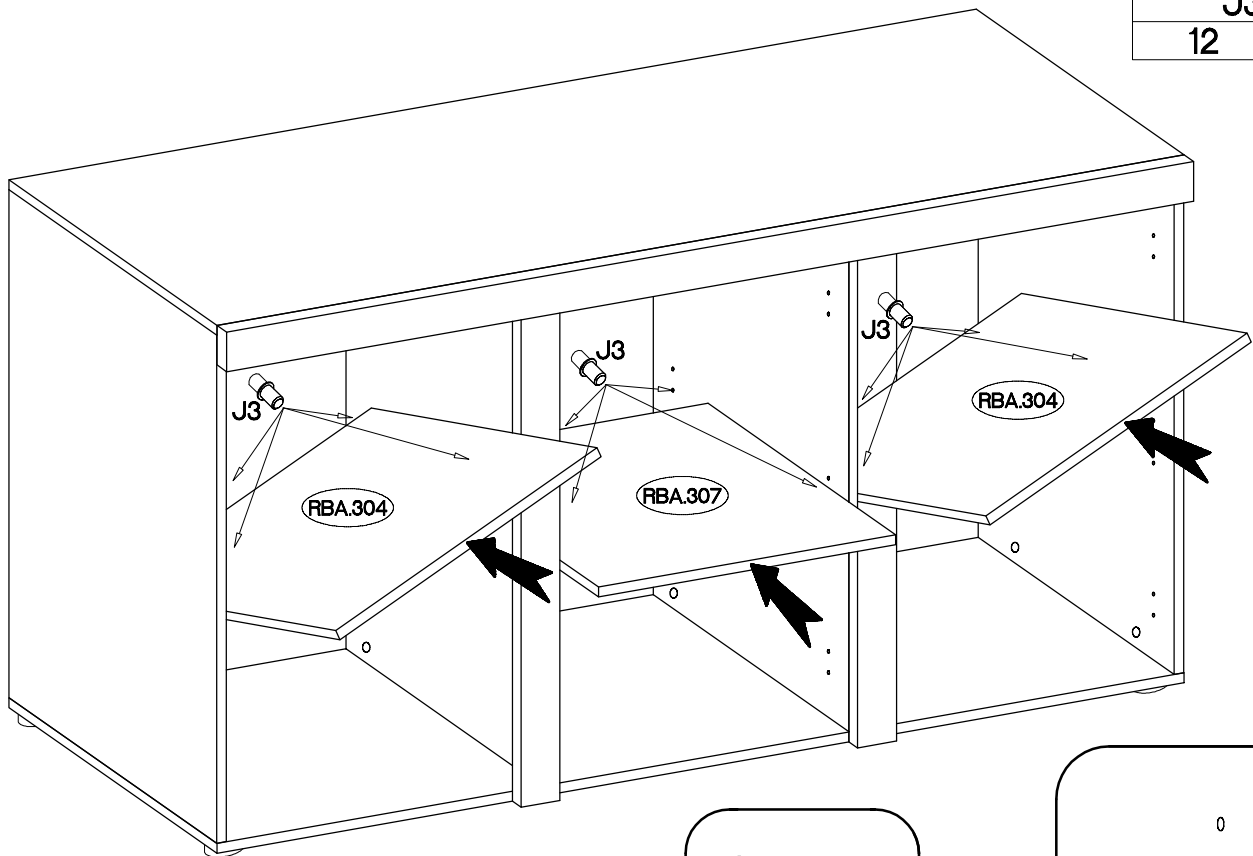


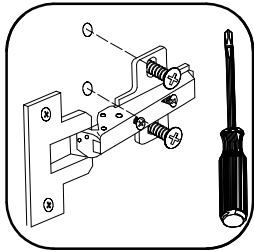
$\pm 35/16\text{mm}$	$\pm 3.5 \times 13\text{mm}$
	
G2	P5
2	12
	$\pm 35/0\text{mm}$
H	G
6	4

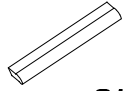



8

$\pm 5/16\text{mm}$	
	E
J3	
12	16





L=128mm	4.0x30mm
	
S1	R2
3	6

