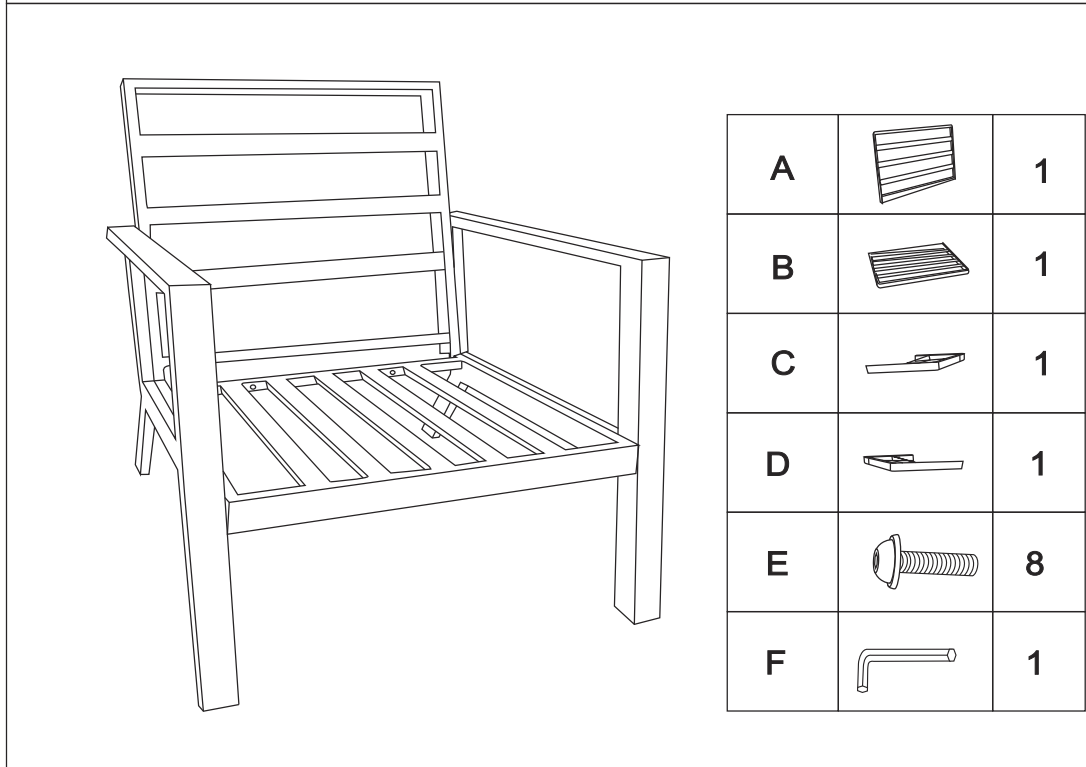
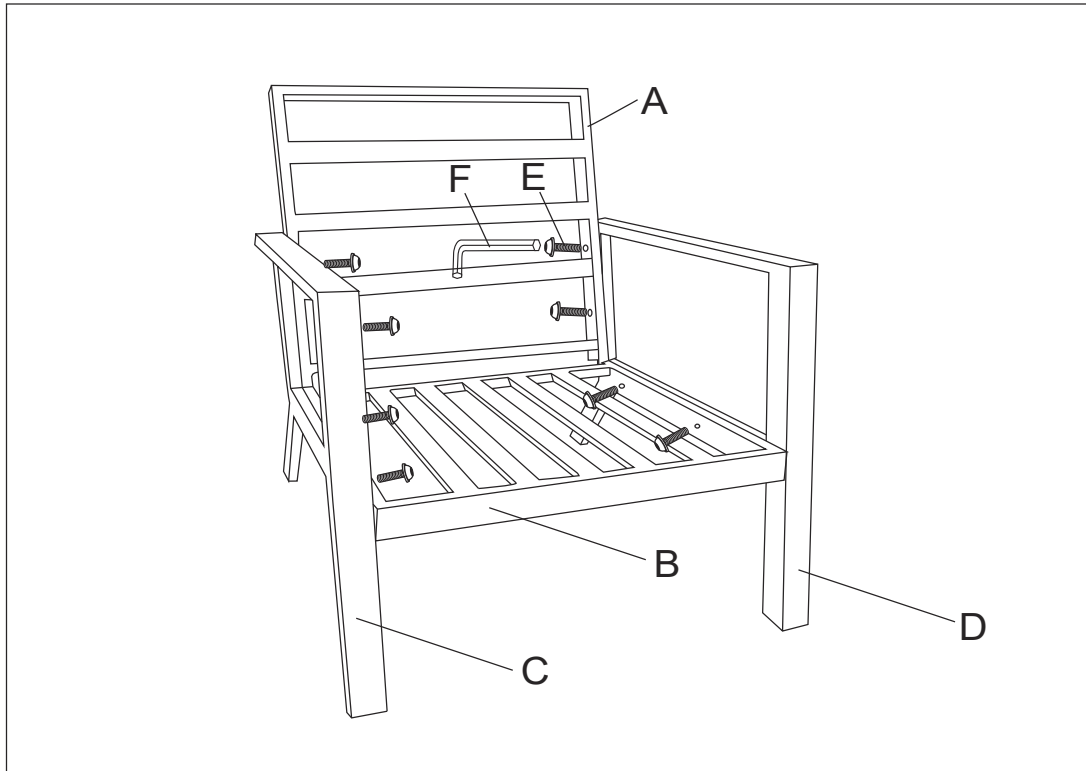
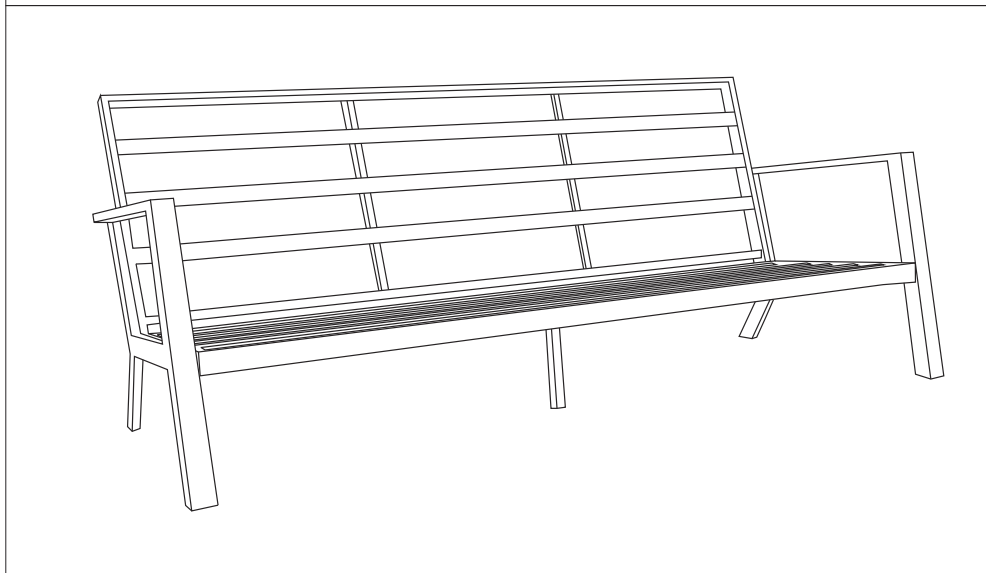
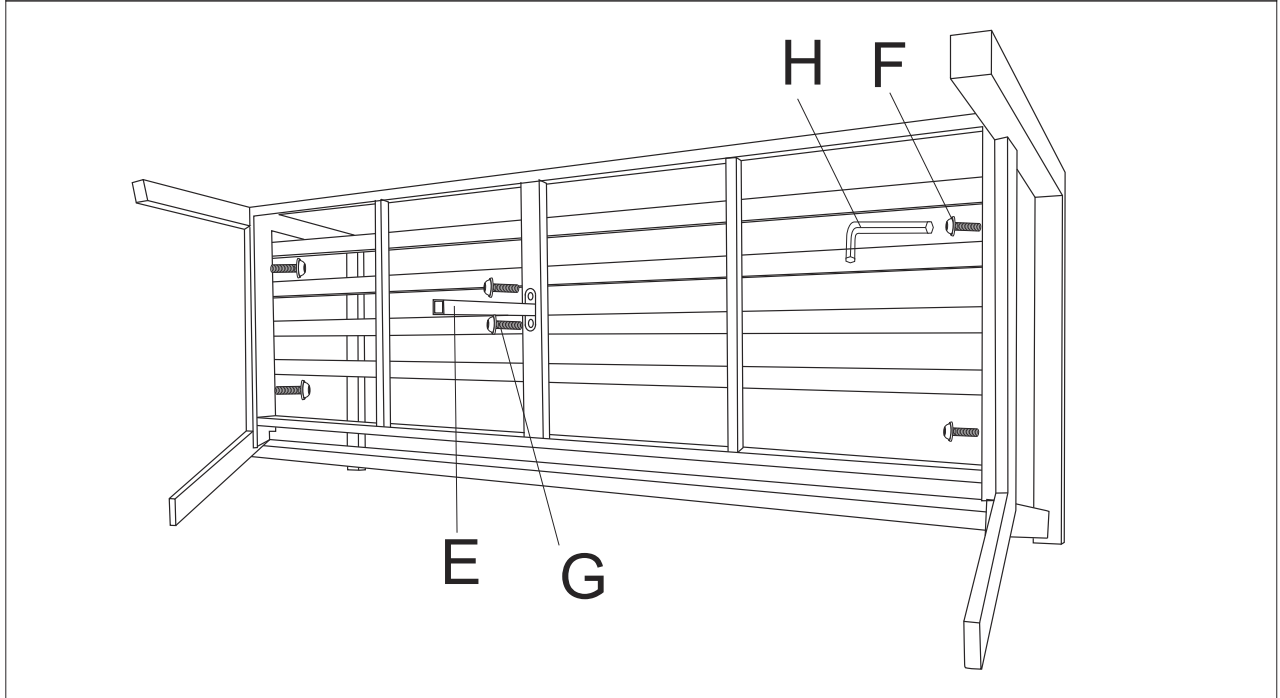
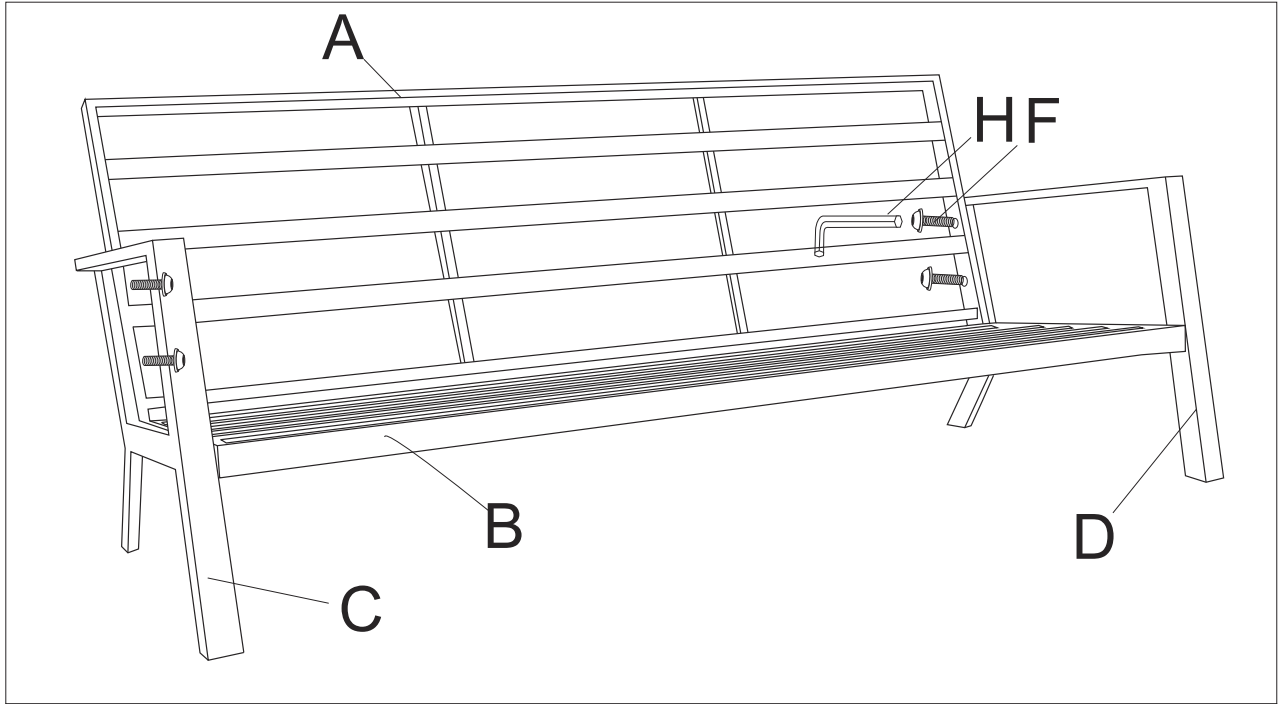







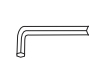
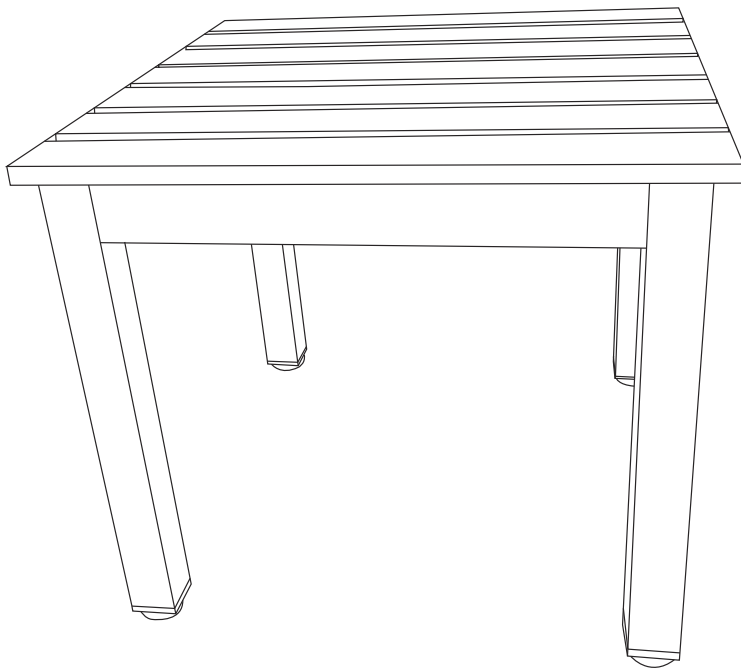
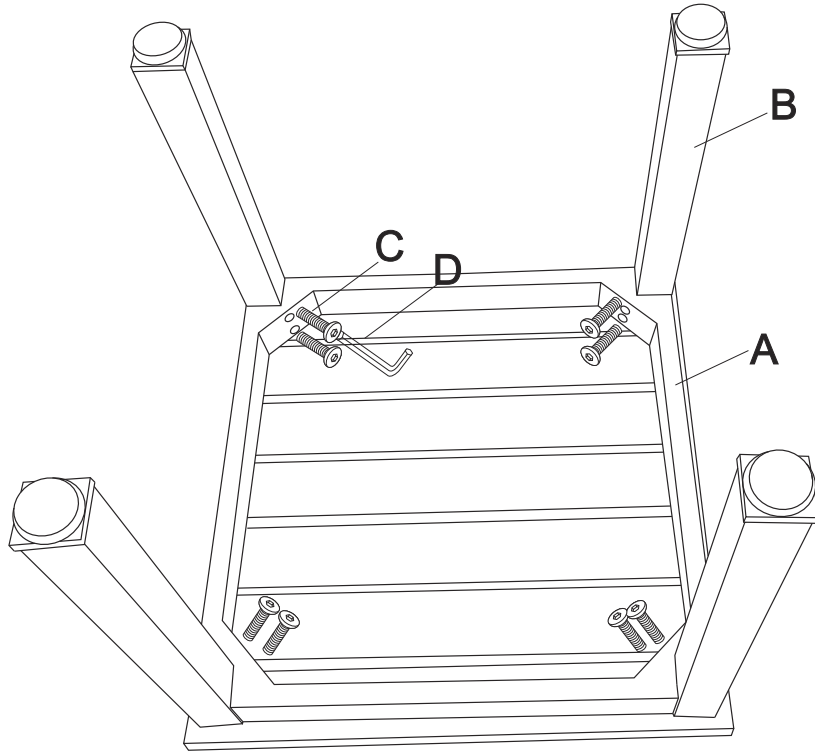


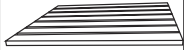

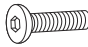

Assembly drawing

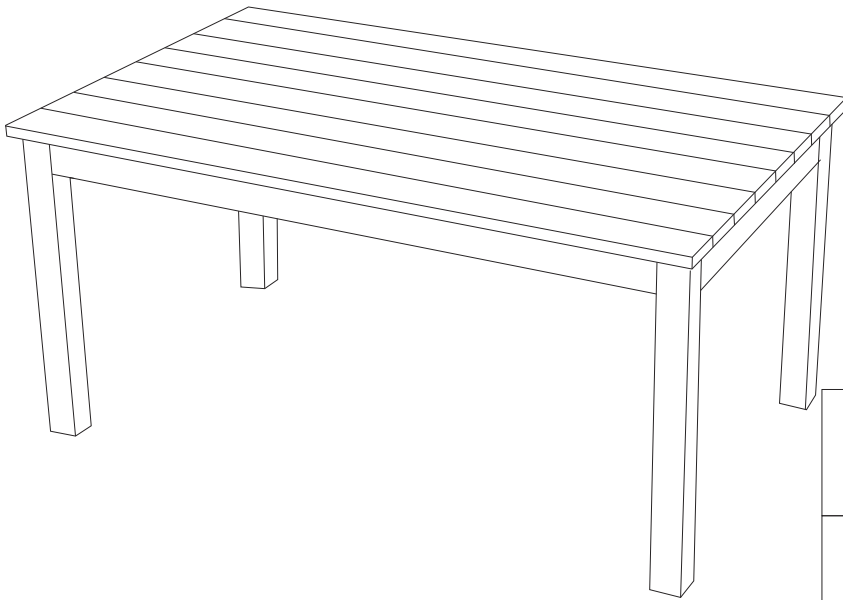
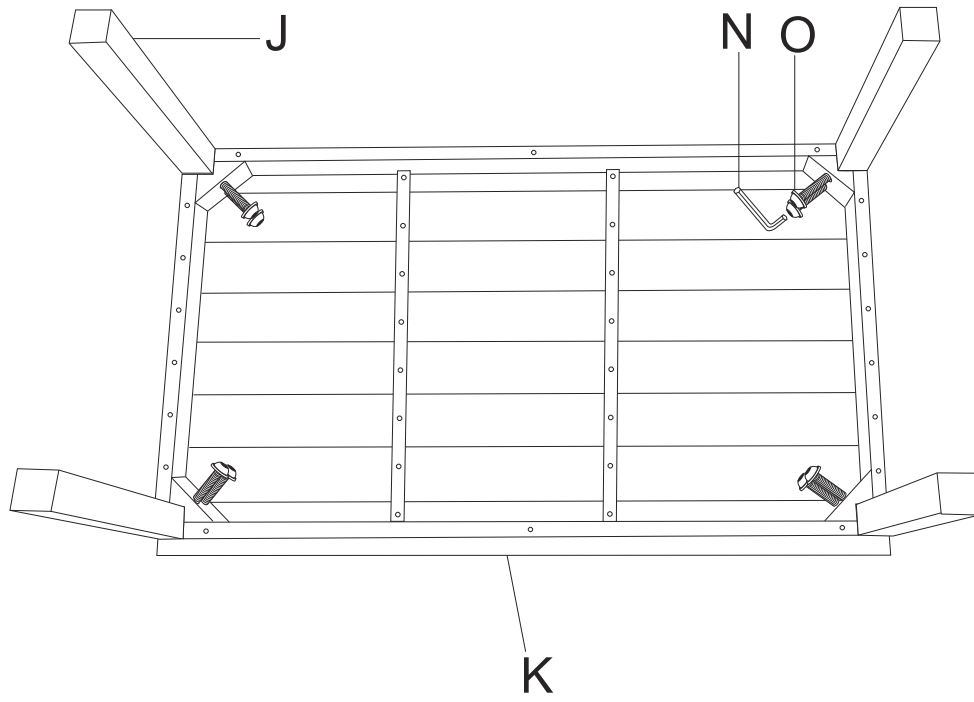


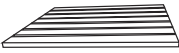

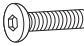



A		1
B		1
C		1
D		1
E		1
F		8
G		2
H		1



A		1
B		4
C		8
D		1



K		1
J		4
O		8
N		1