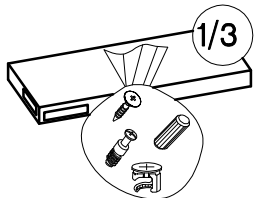
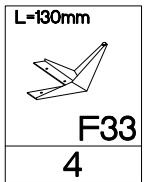
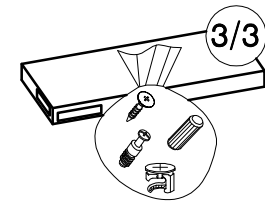
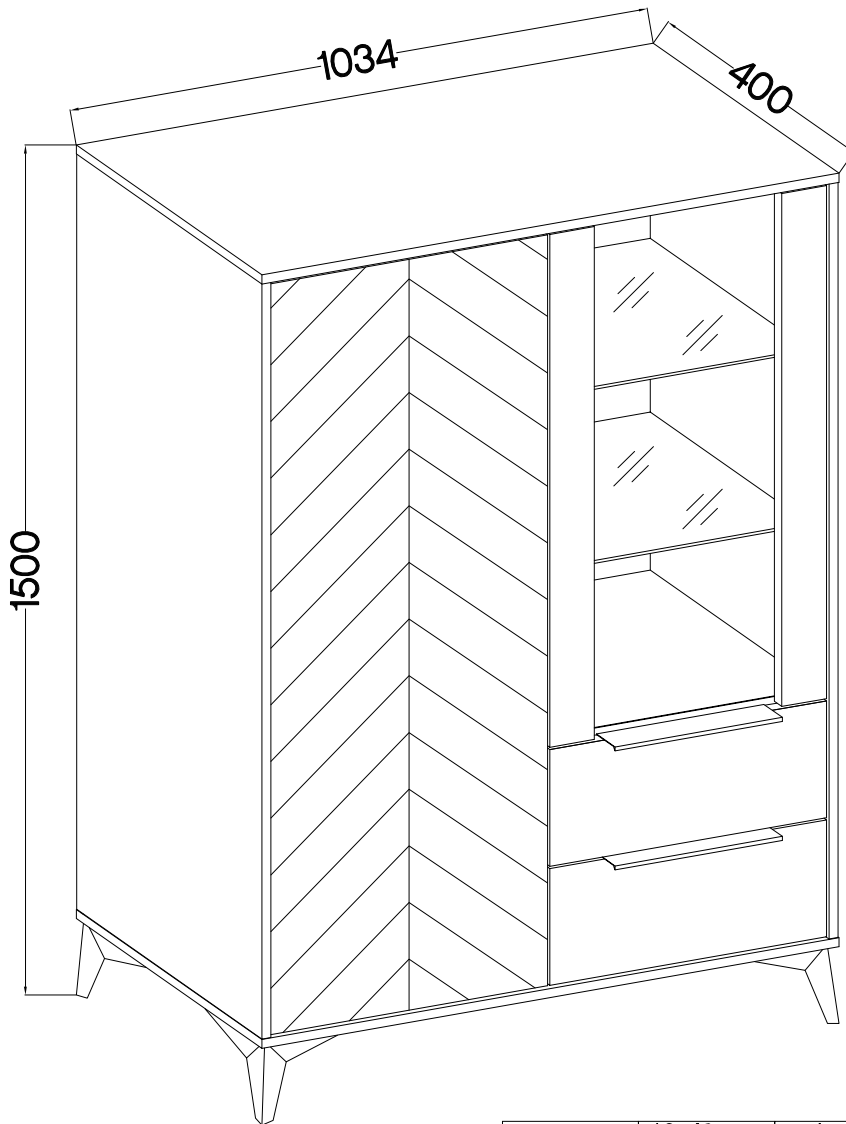
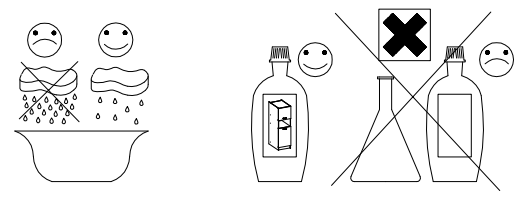
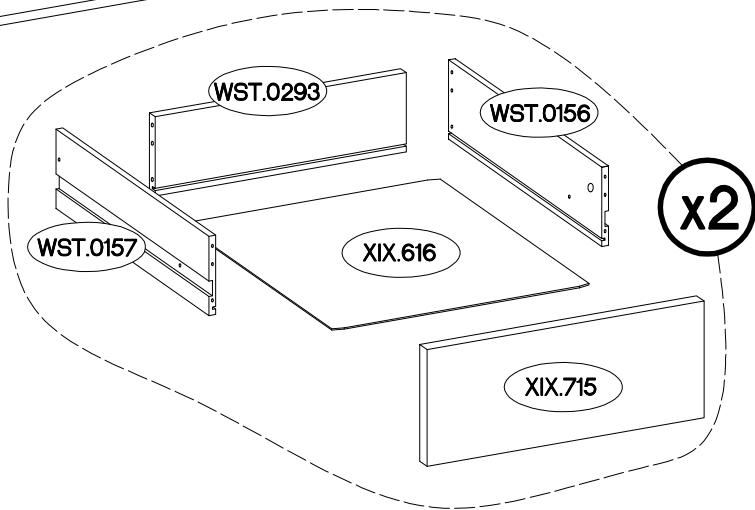
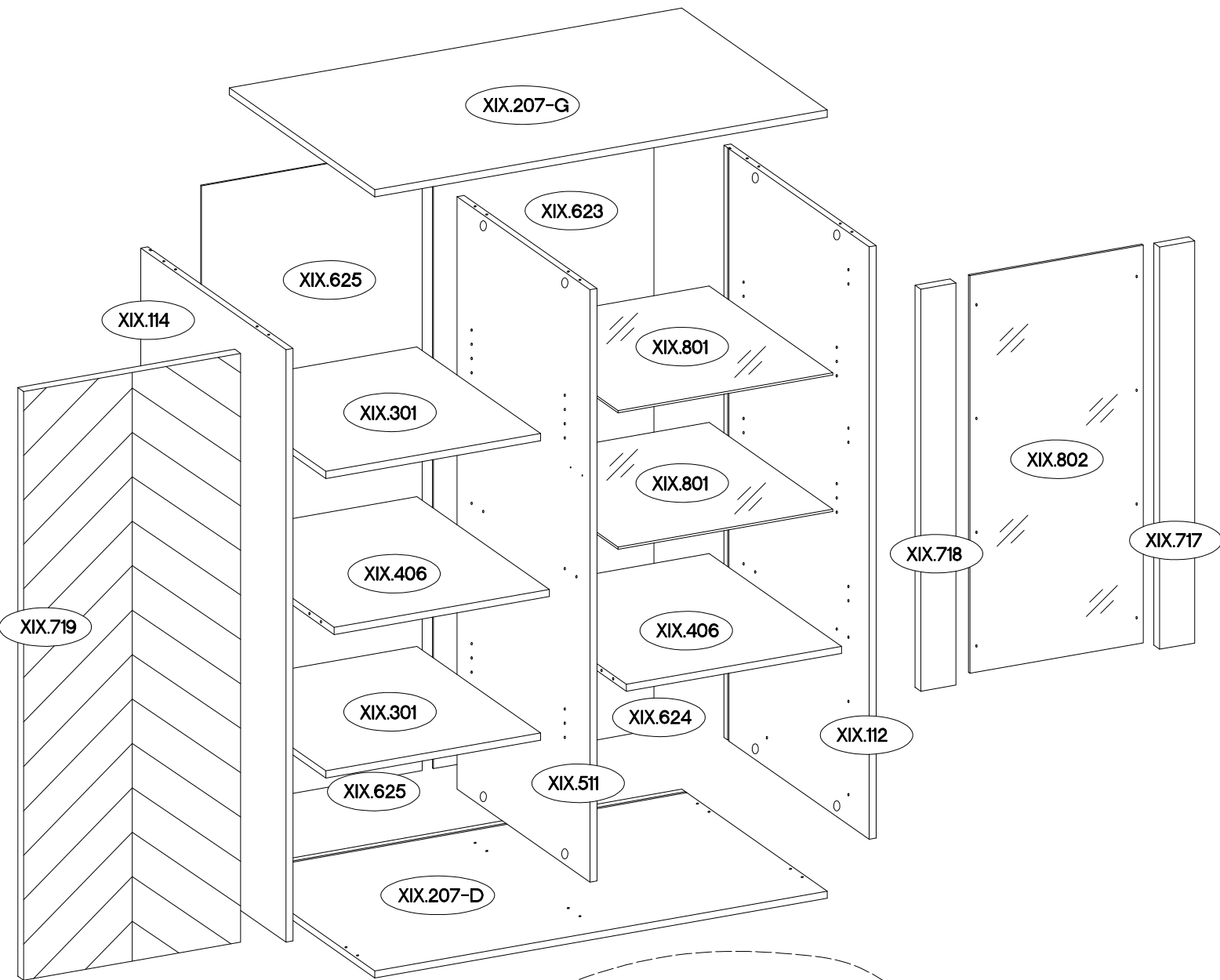


TYP 604



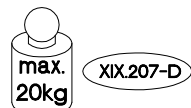
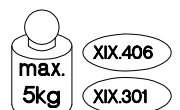
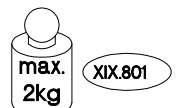
	±8x30mm  A 36	±6x42mm  B2 4	±15/12mm  C 20	±12/10mm  C5 4	L=20mm  D2 24	±20  E11 14	±35/16mm  HG2 6	
27/310mm  L9 2	±5/16mm  J3 8	±7/4mm  J7 8	 J12 8	±20/8mm  J14 4	 L 20	 L2 15	 L33 2	
 L9 1	±6,3x13mm  M2 4	±6,3x20mm  M3 4	±10x50mm  O7 1	±3,5x13mm  P5 21	±3,0x20mm  P7 15	±4,0x16mm  R11 24	L=256mm  S 2	M4x9mm  U1 4

ISM-XIX-011


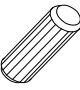


	Ersatzteil Nummer	Dimension
	XIX.715 x2	496x206x16
	XIX.719	1325x496x16
	XIX.717	905x80x16
	XIX.718	905x80x16
	XIX.802	895x396x4
	XIX.623	915x504x2,5
	XIX.624	426x504x2,5
	XIX.625 x2	670x504x2,5
	WST.0156 x2	330x140x12
	WST.0157 x2	330x140x12

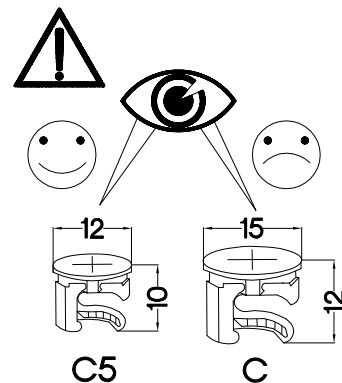
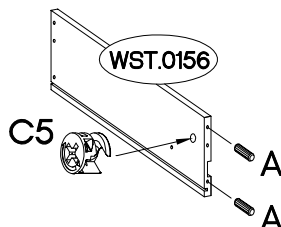
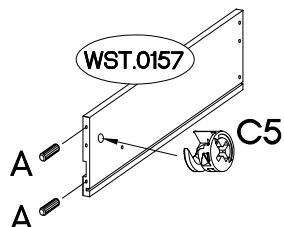
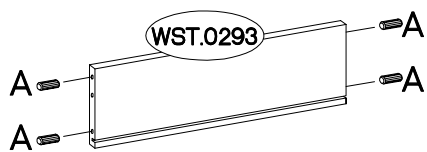
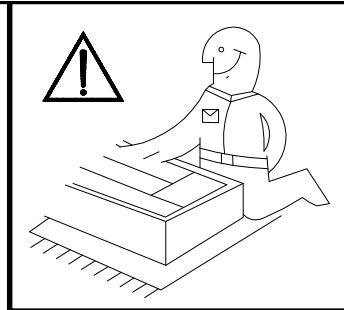
	Ersatzteil Nummer	Dimension
	XIX.207 x2	1034x400x16
	XIX.406 x2	492x364x16
	XIX.301 x2	491x340x16
	XIX.801 x2	491x340x5
	XIX.616 x2	461x327x2,5
	XIX.112	1333x399x16
	XIX.114	1333x399x16
	XIX.511	1333x365x16




1

#12/10mm  <b>C5</b> 4	#8x30mm  <b>A</b> 16
--	---

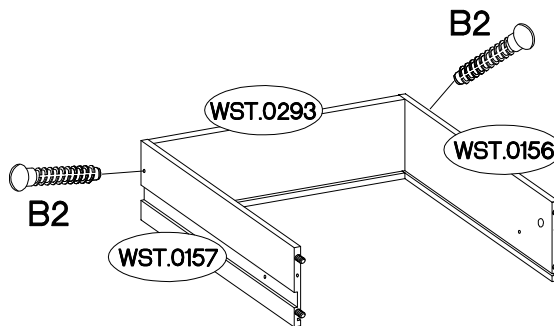
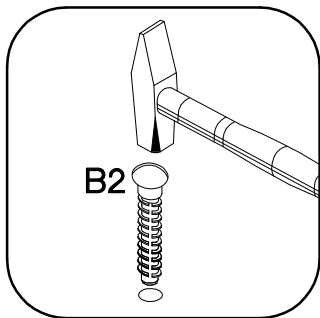
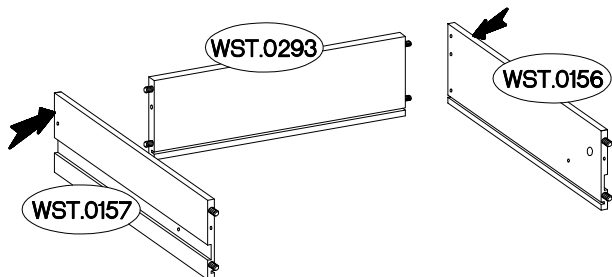
x2




2

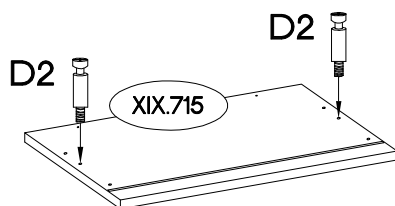
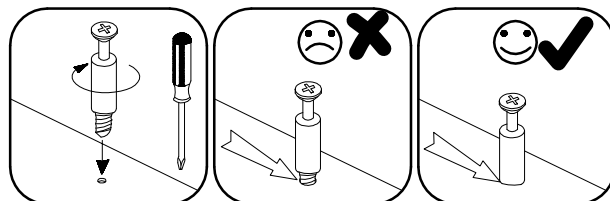
#6x42mm  <b>B2</b> 4
--

x2



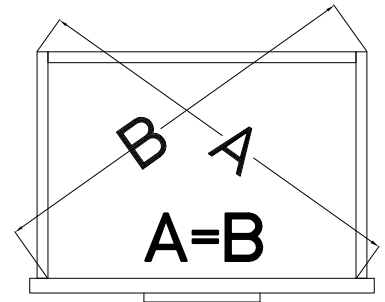
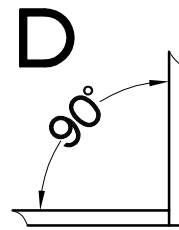
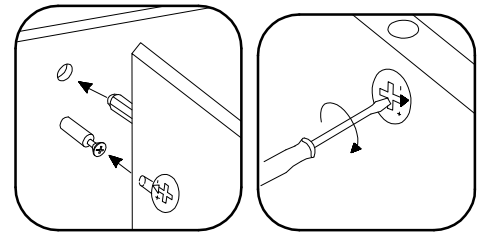
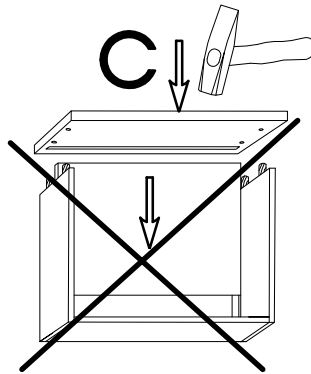
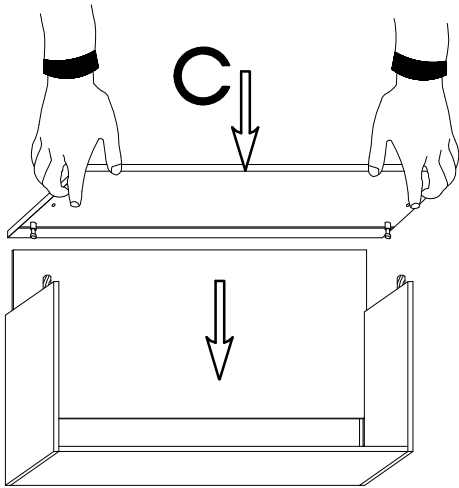
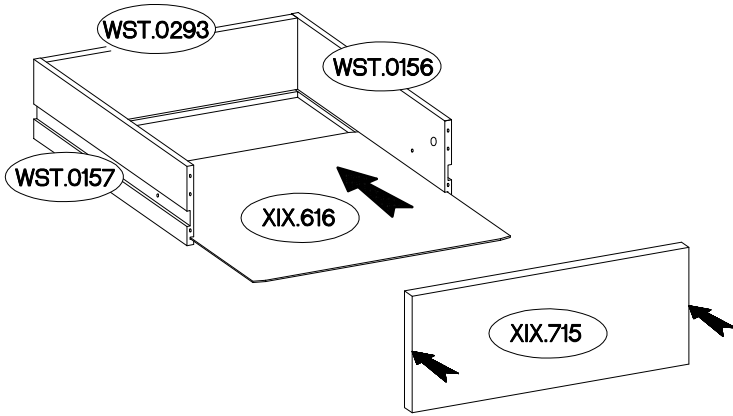
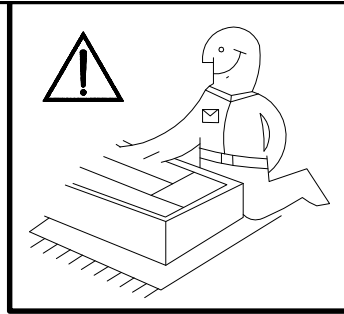
3

L=20mm  <b>D2</b> 4
---

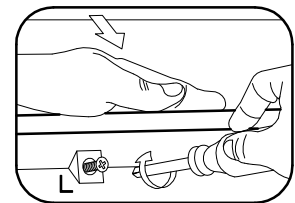
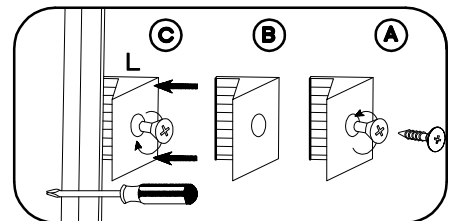
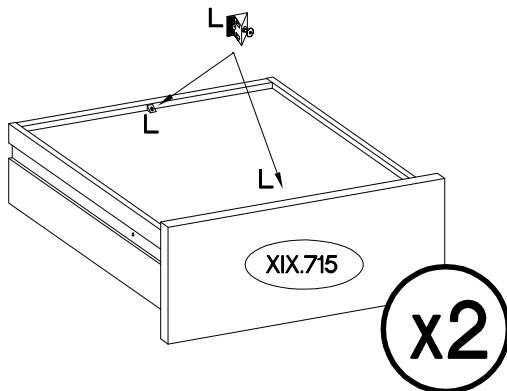
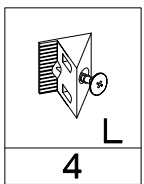


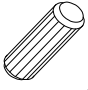




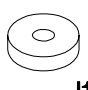
x2

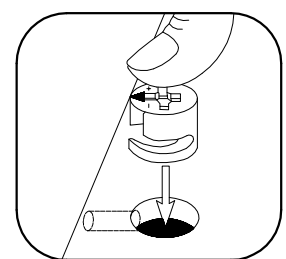
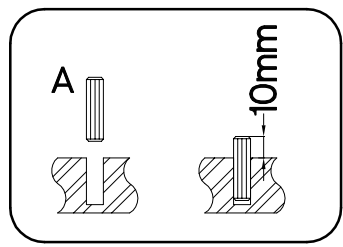
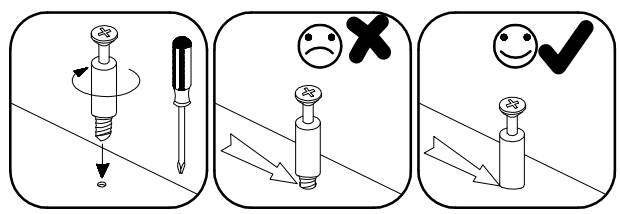
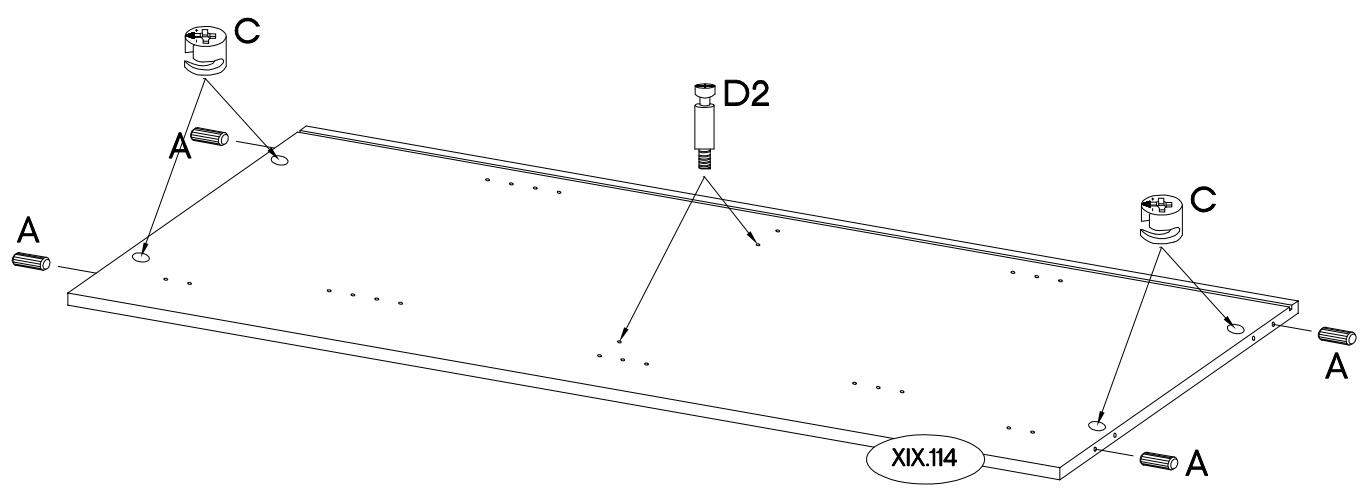
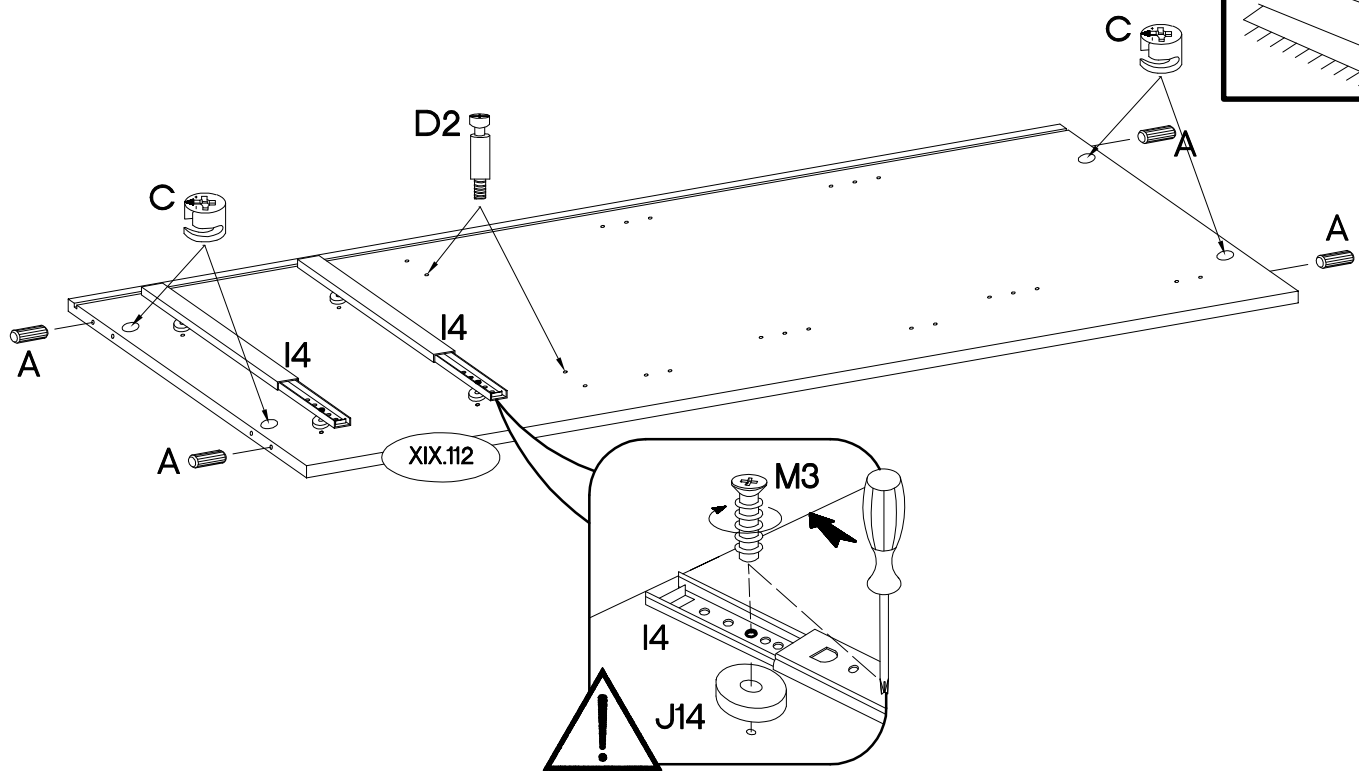
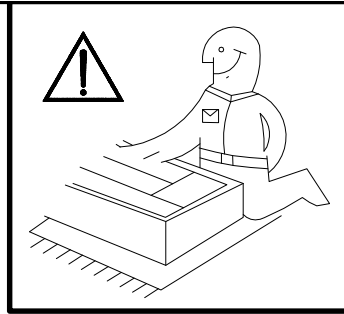
4

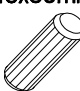


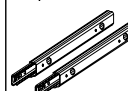



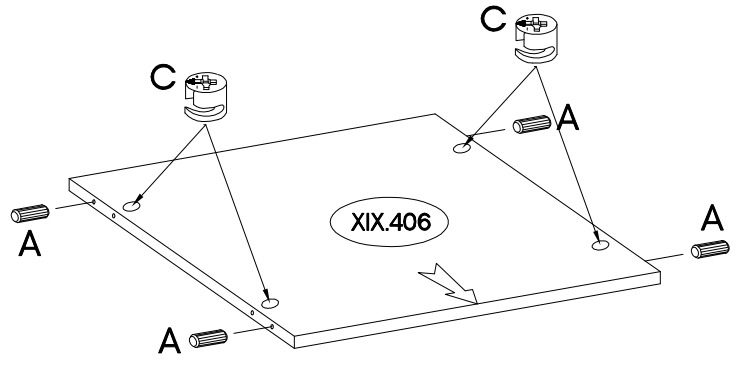
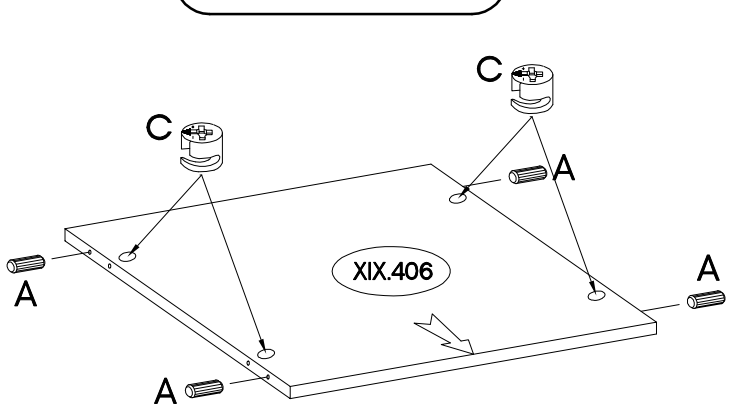
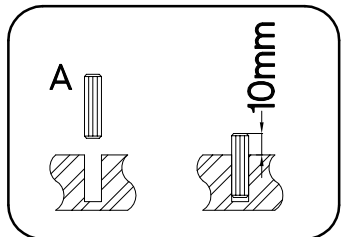
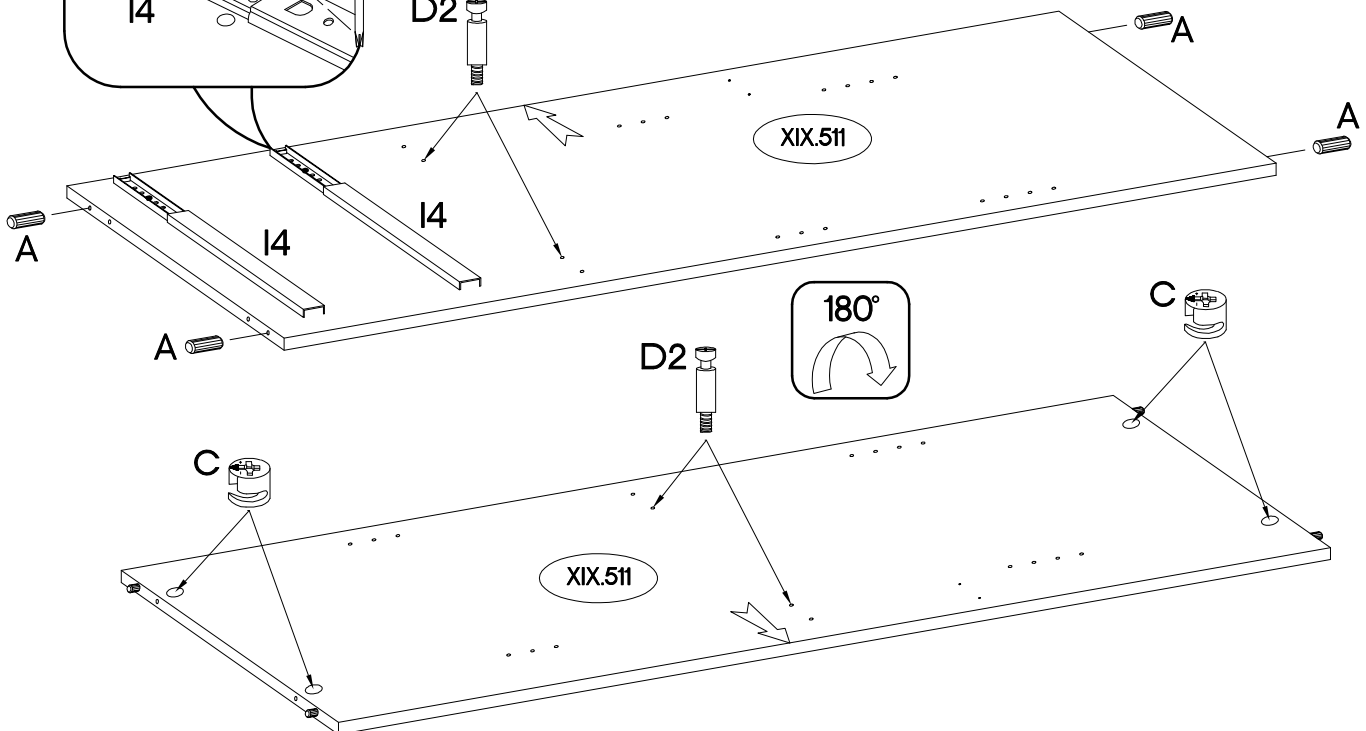
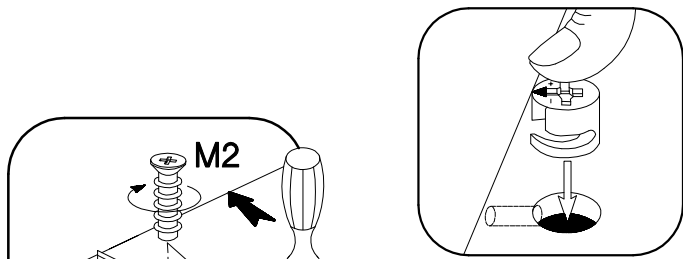
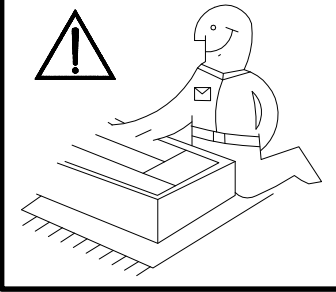
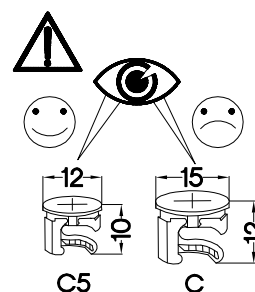
5



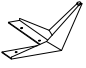


$\pm 8 \times 30 \text{mm}$ 	$\pm 15 / 12 \text{mm}$ 	L=20mm 	27/310mm 	$\pm 6.3 \times 20 \text{mm}$ 	$\pm 20 / 8 \text{mm}$ 
A	C	D2	I4	M3	J14
8	8	4	2	4	4

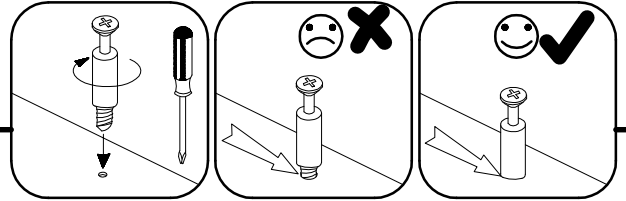
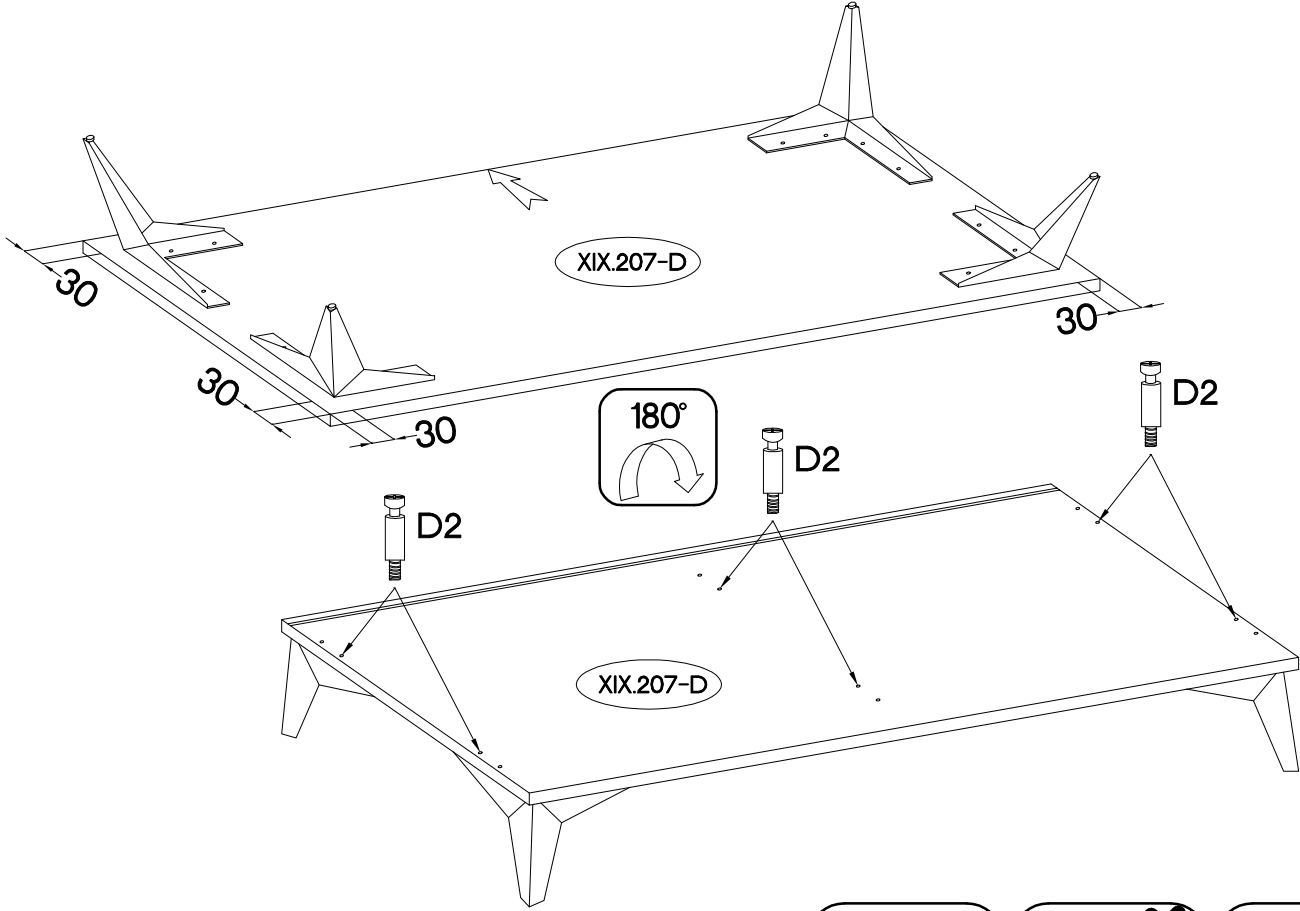
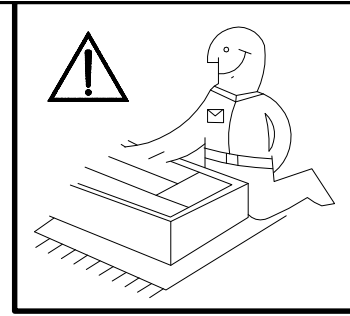
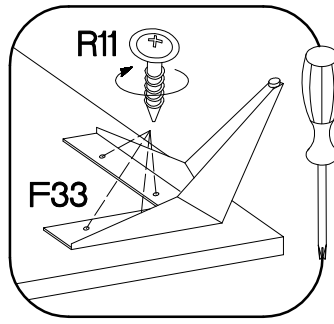


$\pm 8 \times 30 \text{mm}$ 	$\pm 15 / 12 \text{mm}$ 	$L=20 \text{mm}$ 	$27 / 310 \text{mm}$ 	$\pm 6,3 \times 13 \text{mm}$ 
A	C	D2	I4	M2
12	12	4	2	4




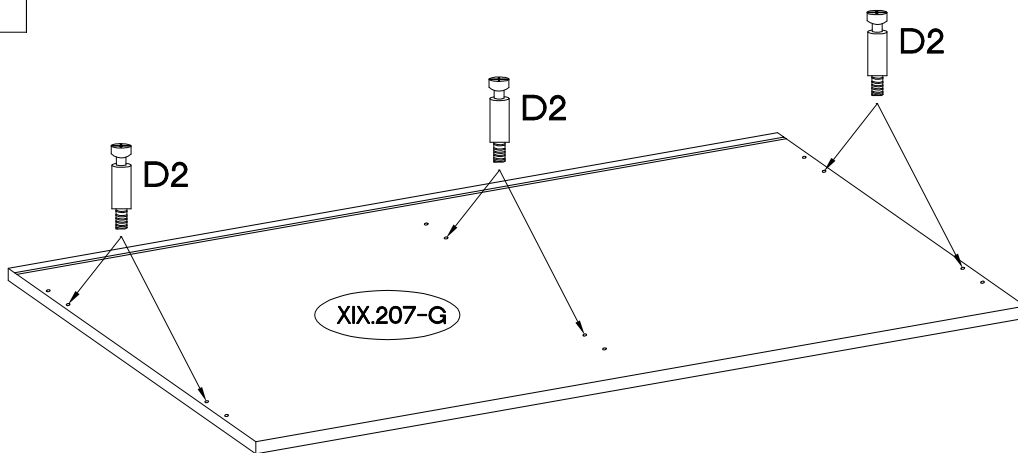
8

L=130mm  F33 4	+4.0x16mm  R11 16	L=20mm  D2 6
---	--	---

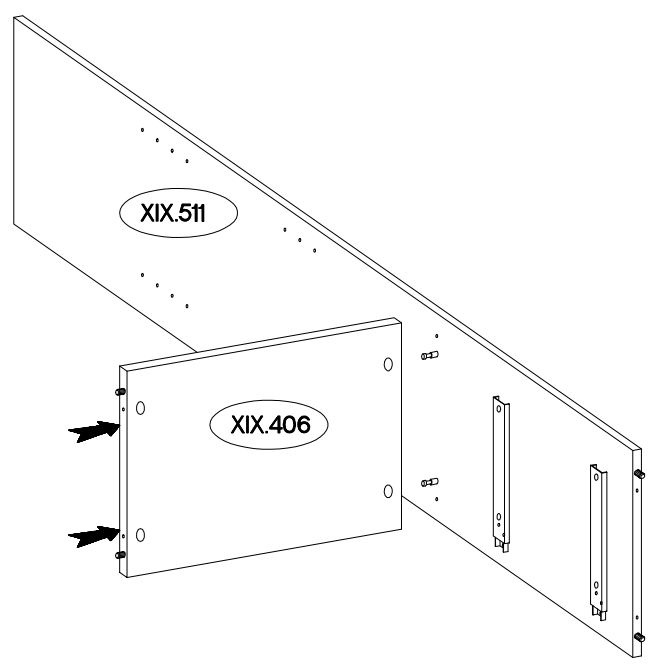
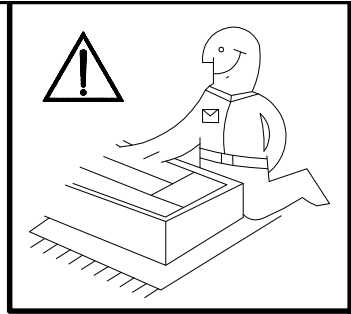


9

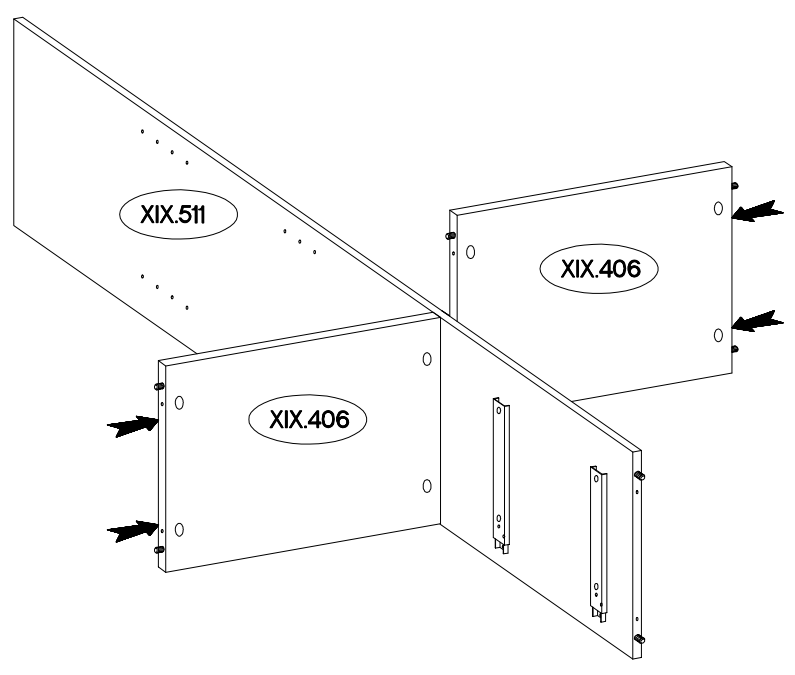
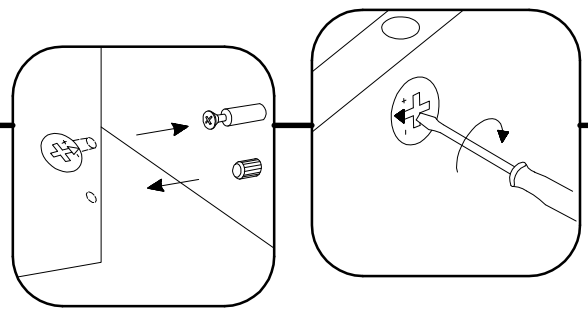
L=20mm  D2 6
--



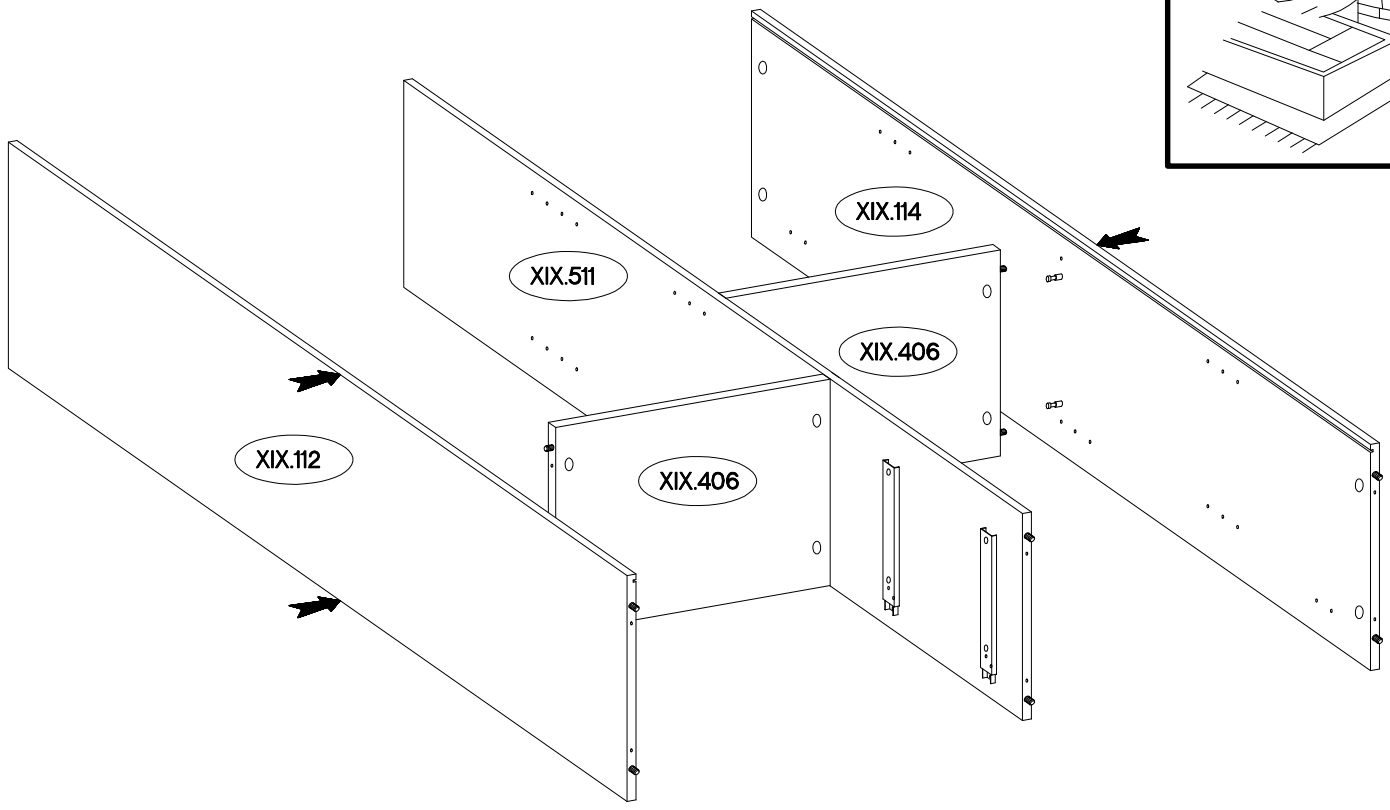
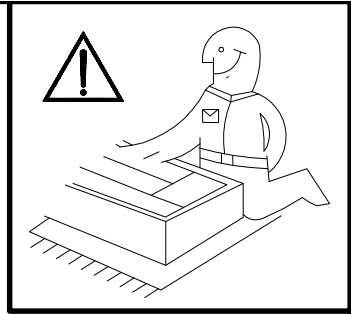
10



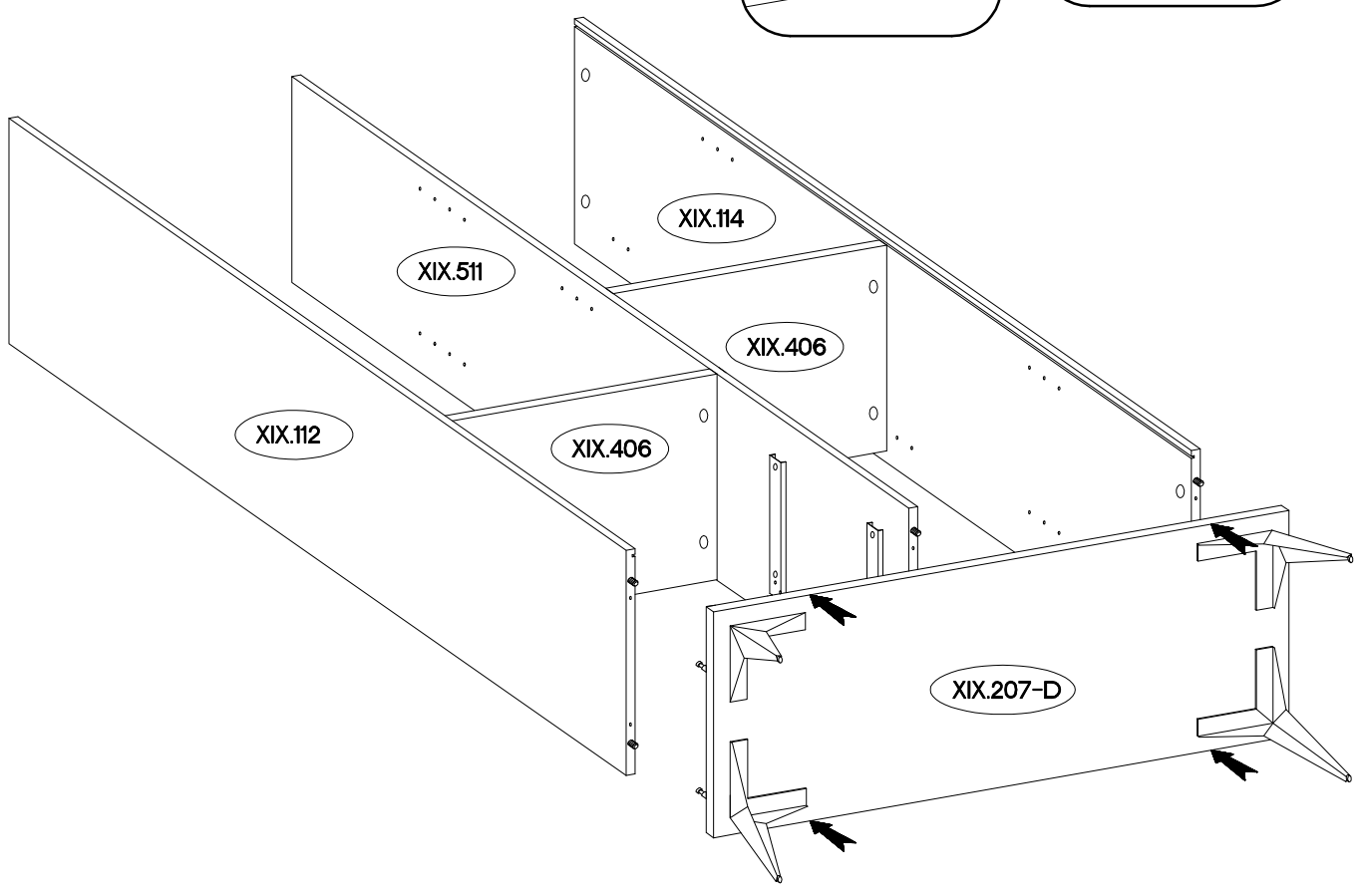
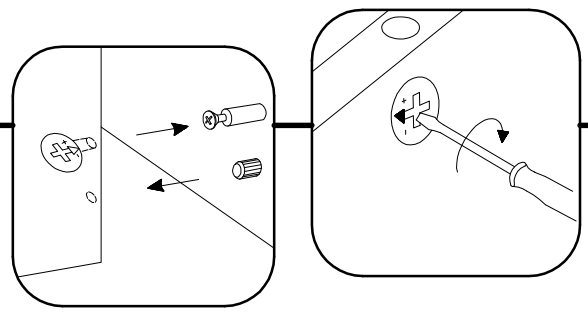
11

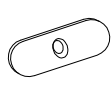

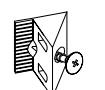


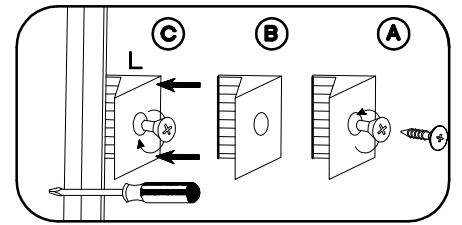
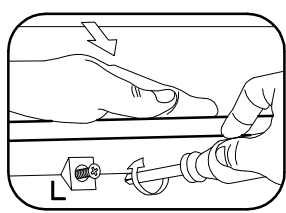
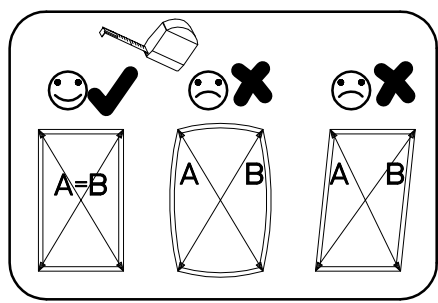
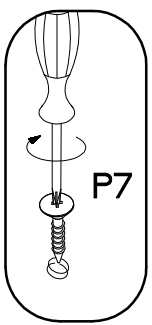
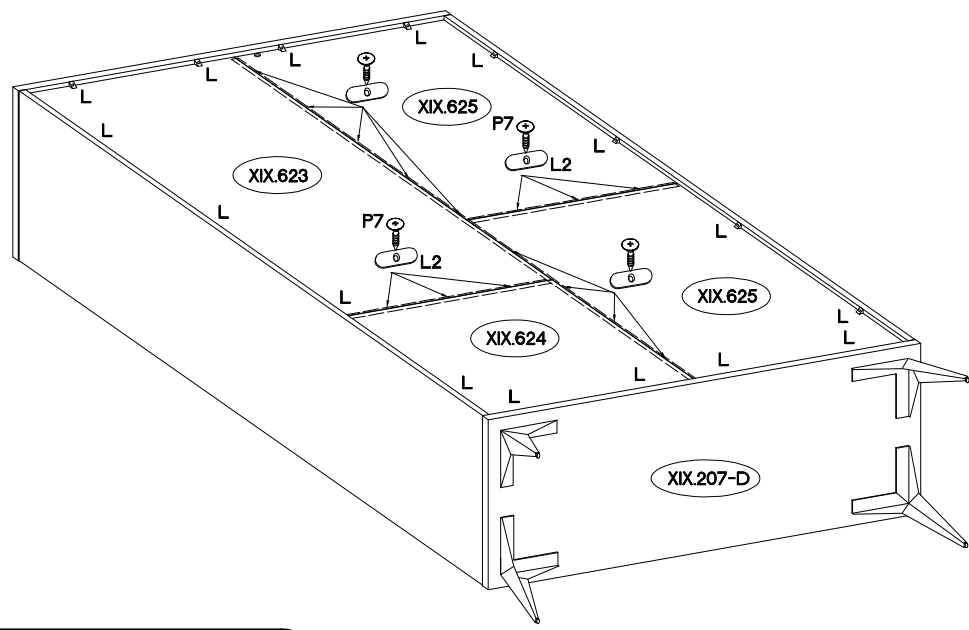
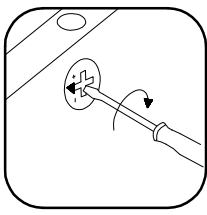
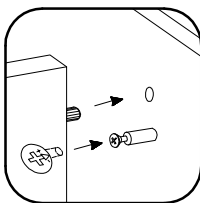
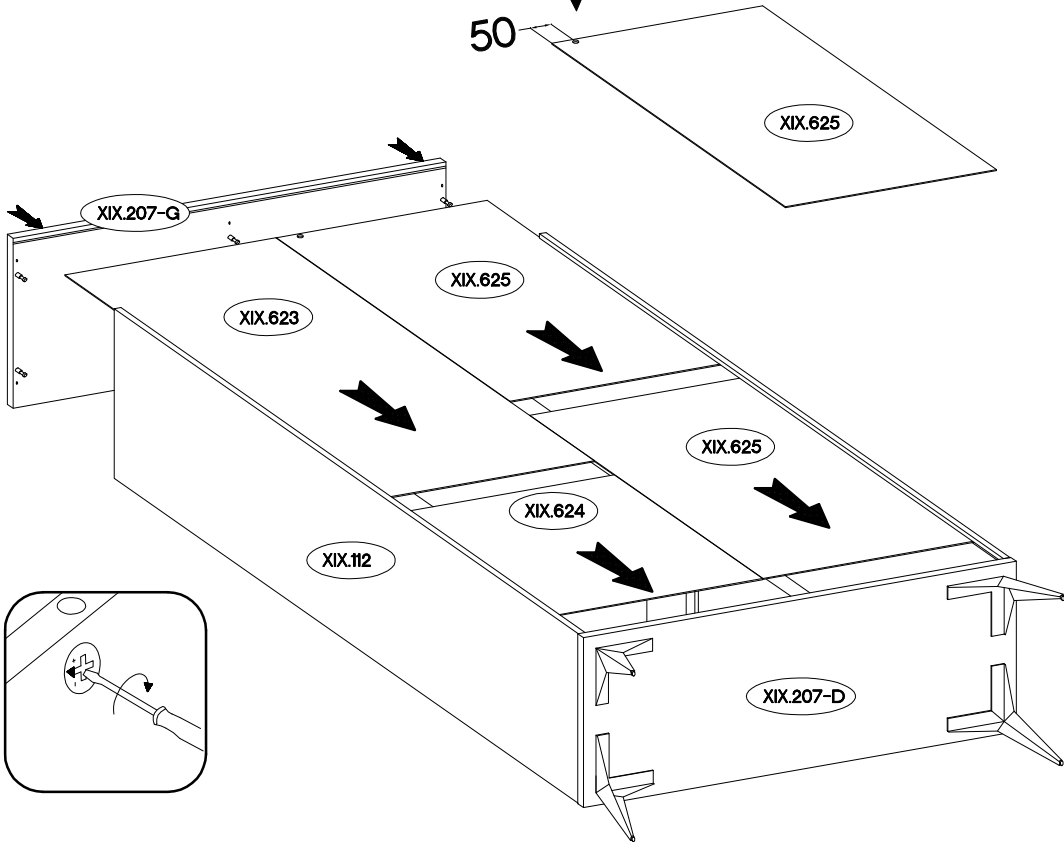
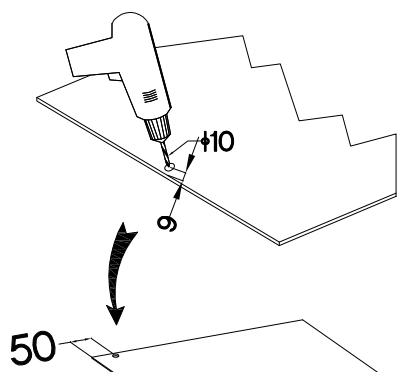
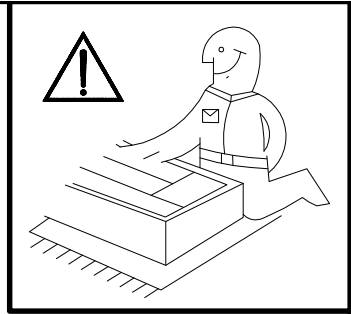
12






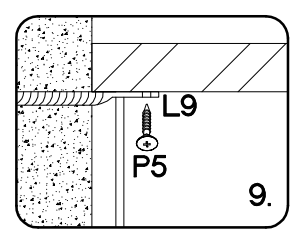
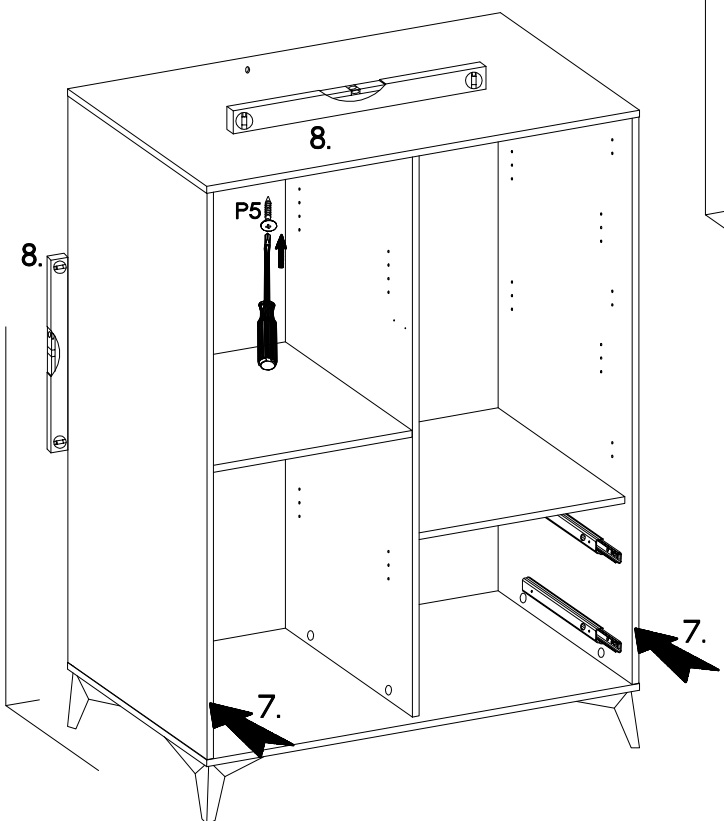
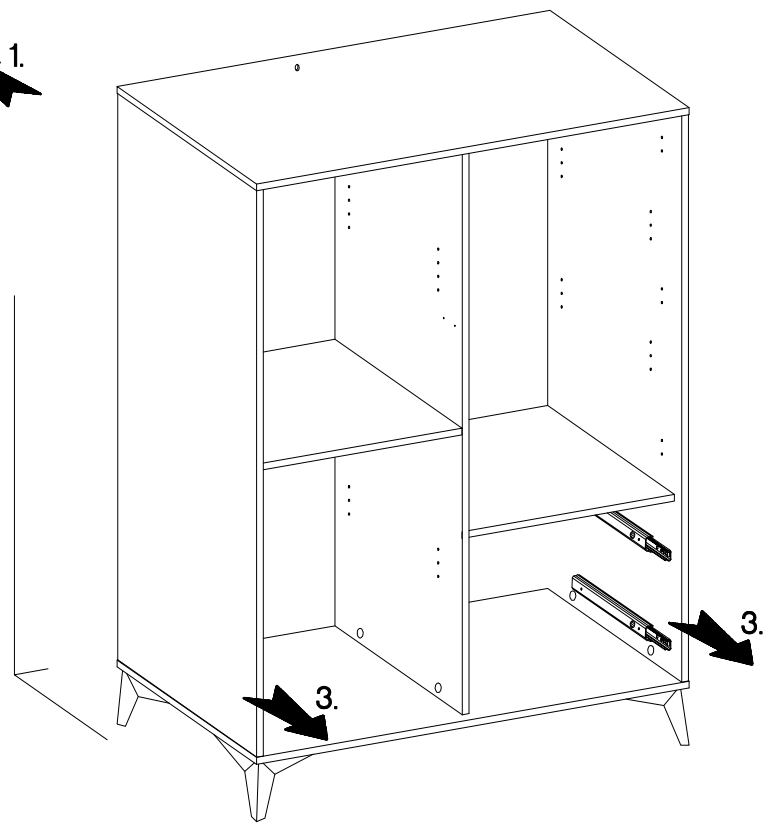
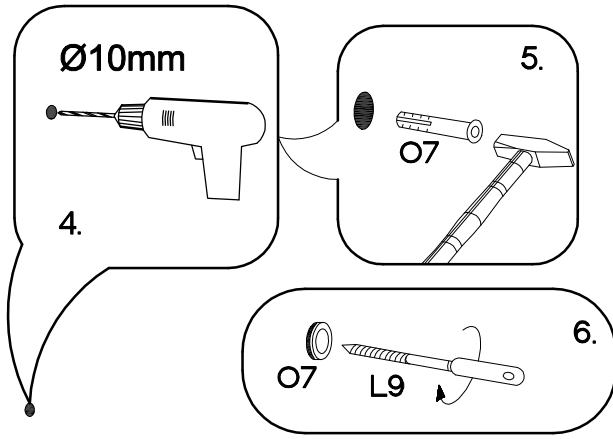
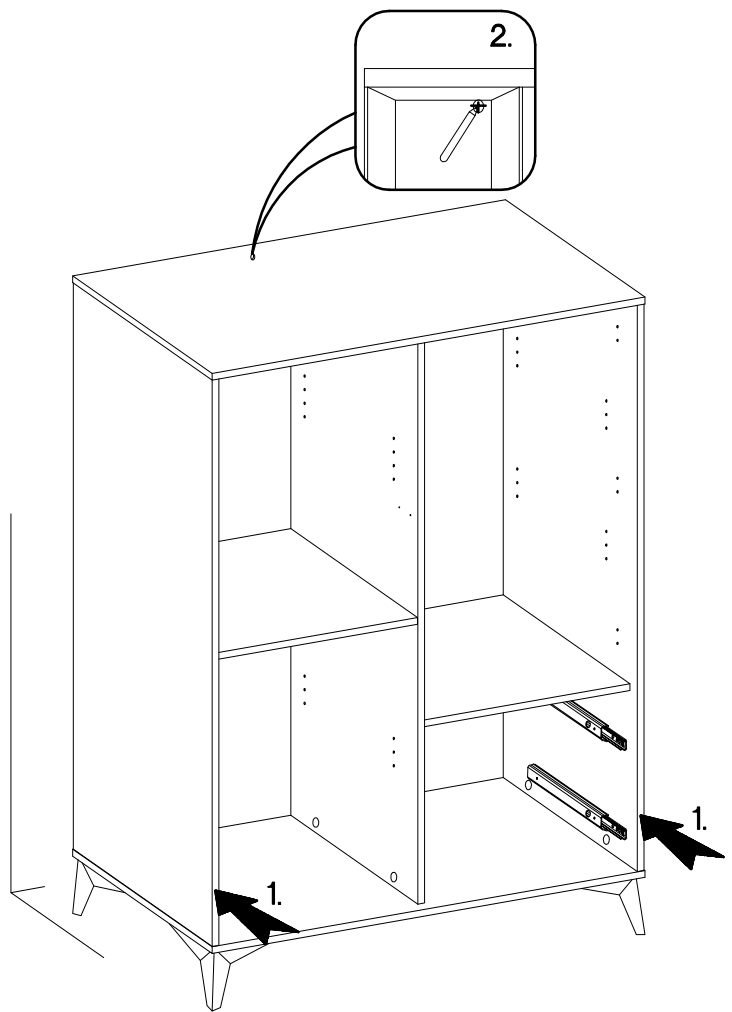
13

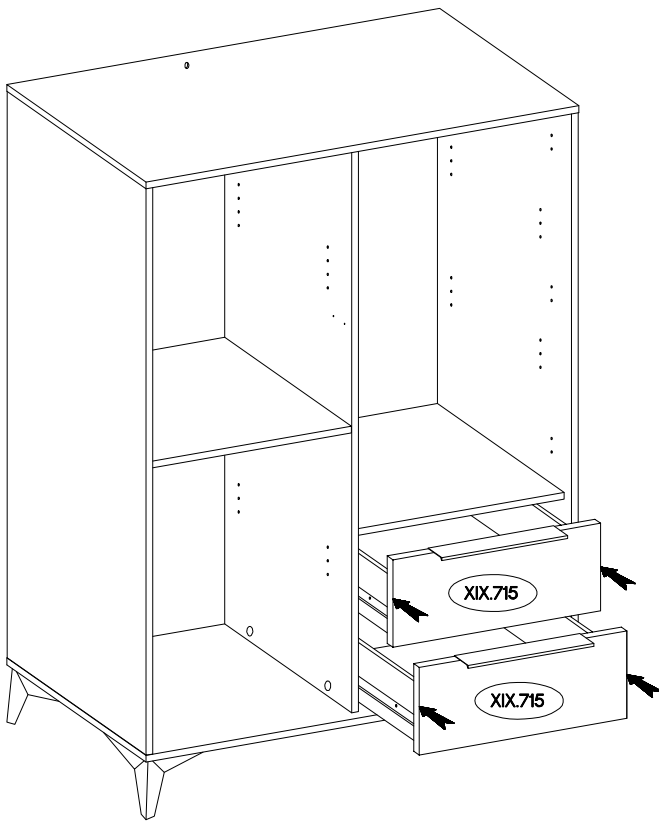





	$\pm 3.0 \times 20 \text{mm}$ 	
L2	P7	L
15	15	16

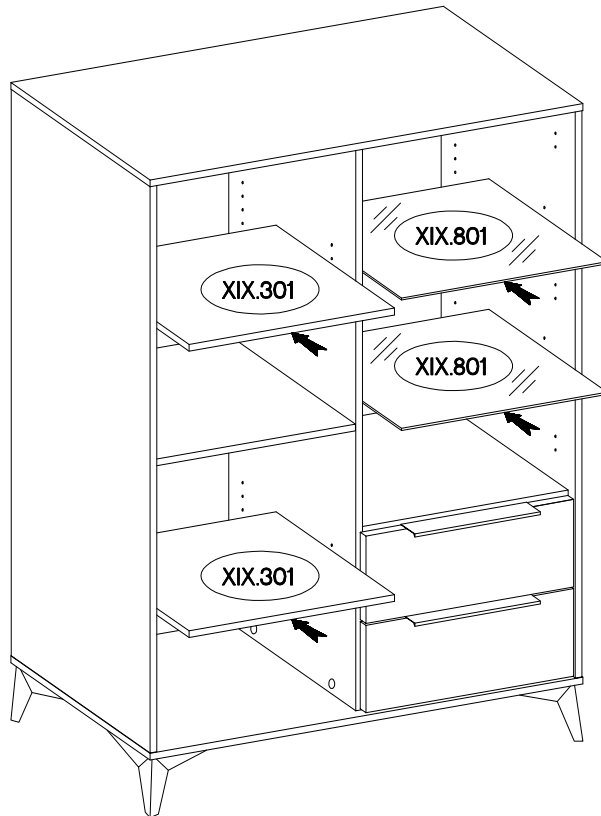
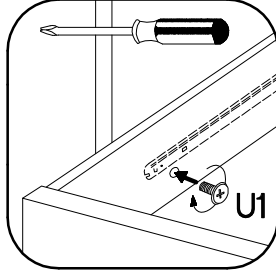
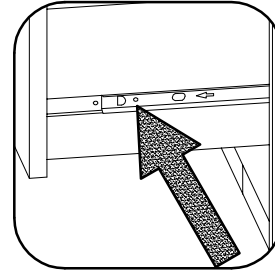
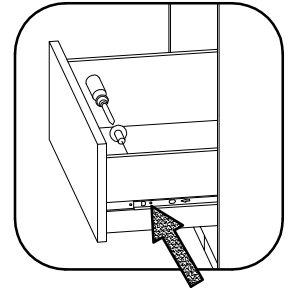
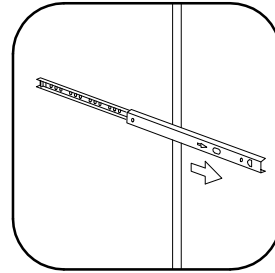
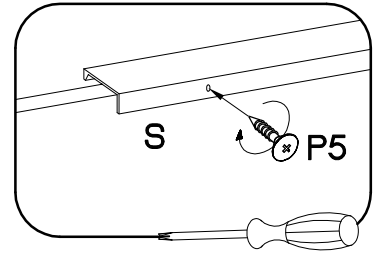


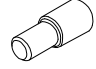
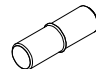

 +10x50mm	 L9	 +3.5x13mm
O7	L9	P5
1	1	1

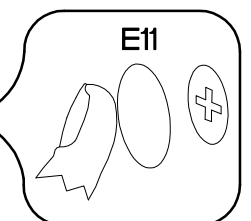
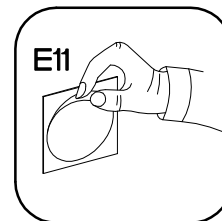
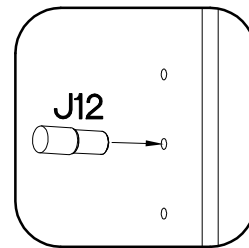
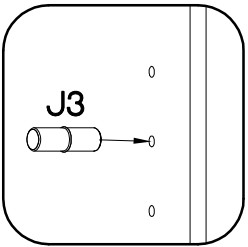




M4x9mm  U1 4	L=256mm  S 2	±3.5x13mm  P5 4
---	---	--

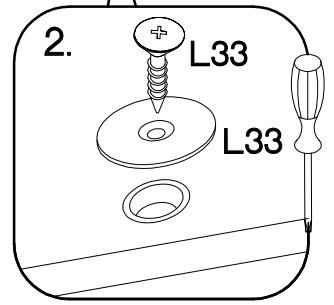
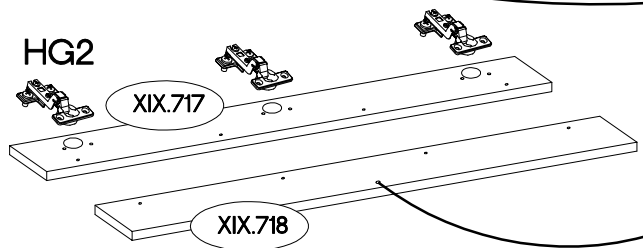
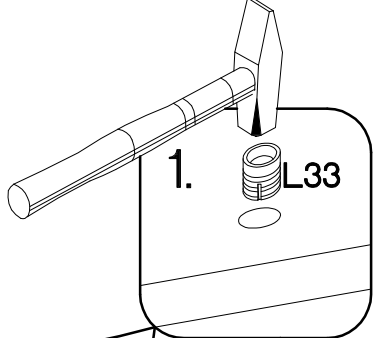
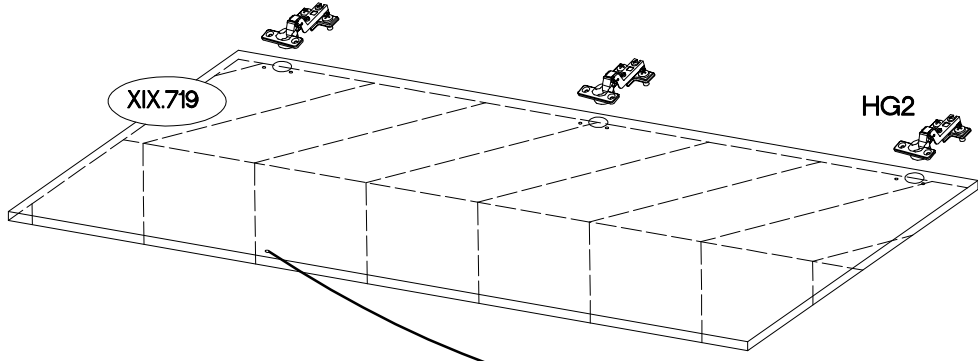
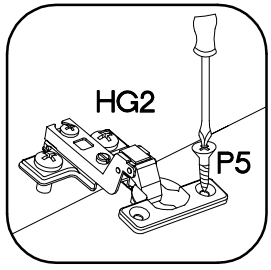


 J12 8	±5/16mm  J3 8	±20  E11 14
---	---	---



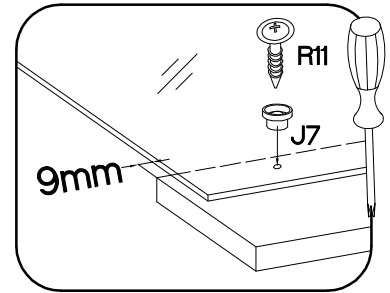
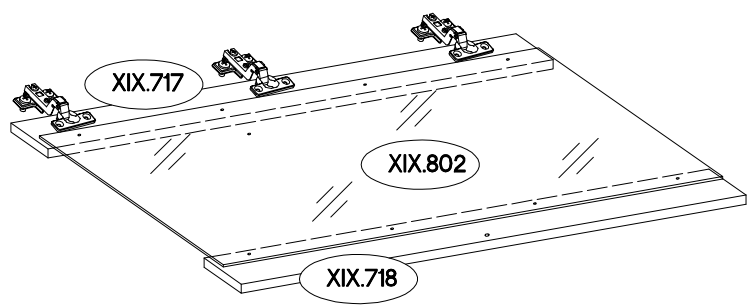
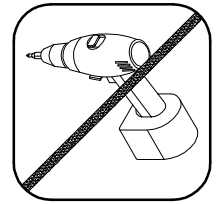
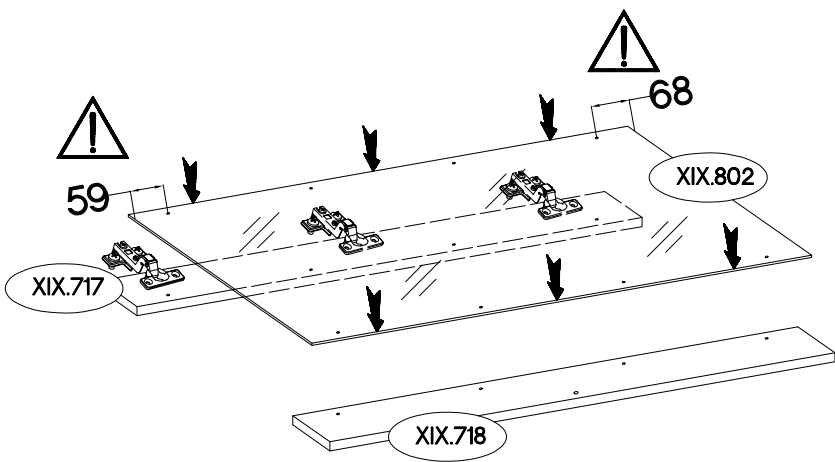
# 18

$\pm 35/16\text{mm}$	$\pm 3.5 \times 13\text{mm}$			
HG2	P5			L33
6	12	2		



# 19

$\pm 4.0 \times 16\text{mm}$	$\pm 7/4\text{mm}$
R11	J7
8	8



	±3.5x13mm
	P5
2	4

