
















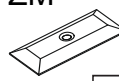
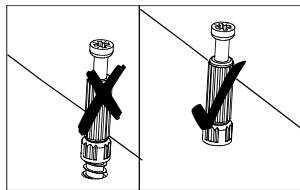
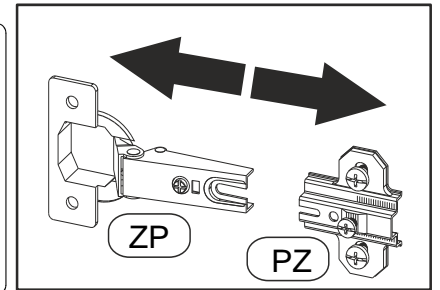
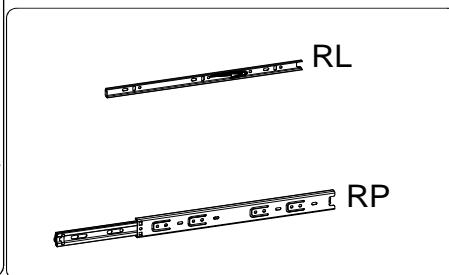
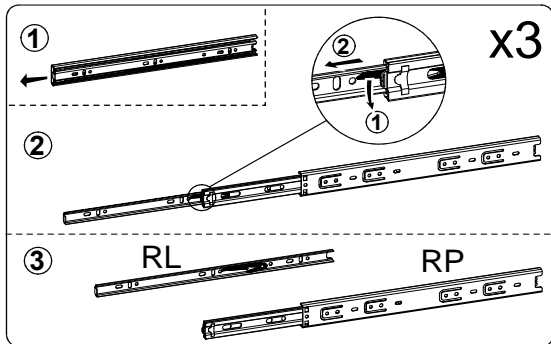
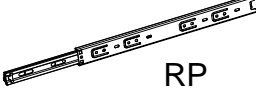



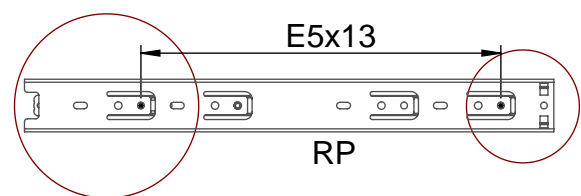
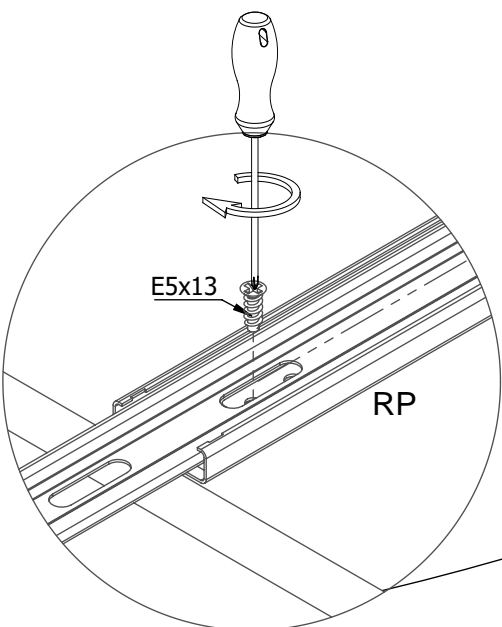
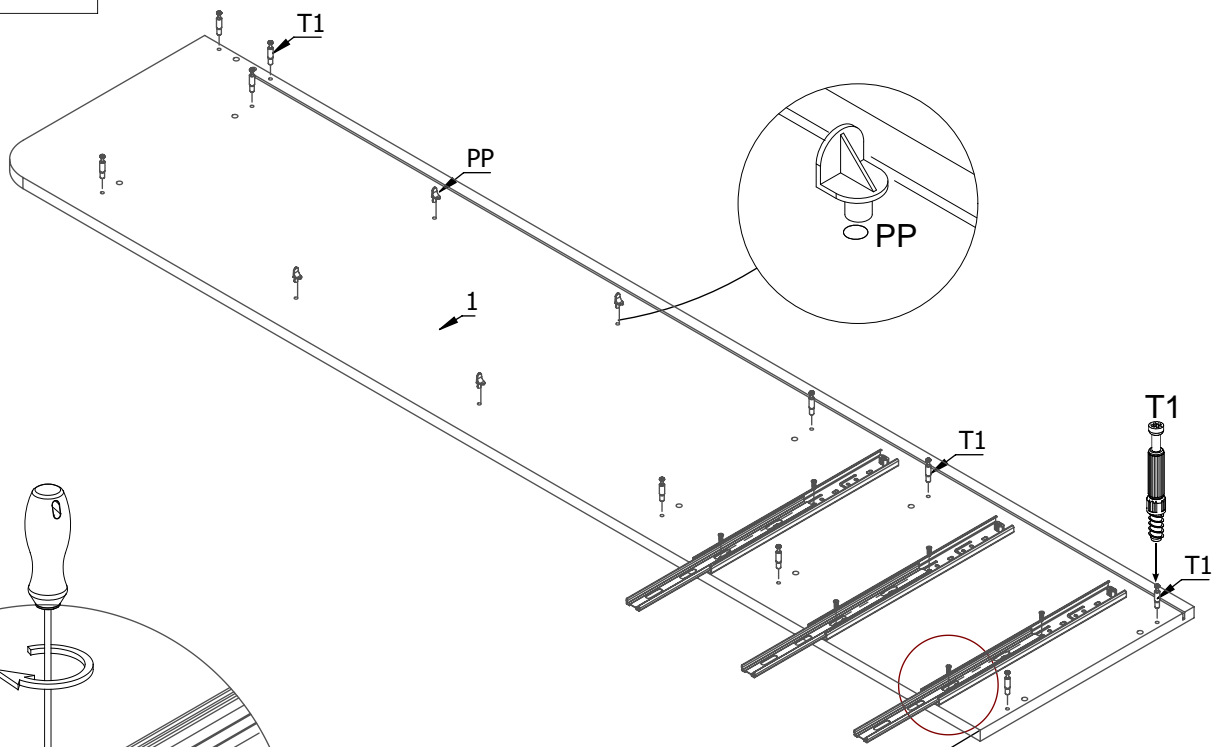
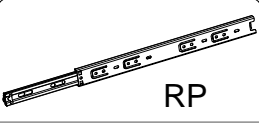

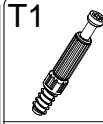
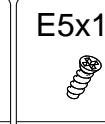
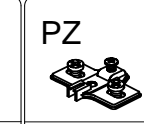


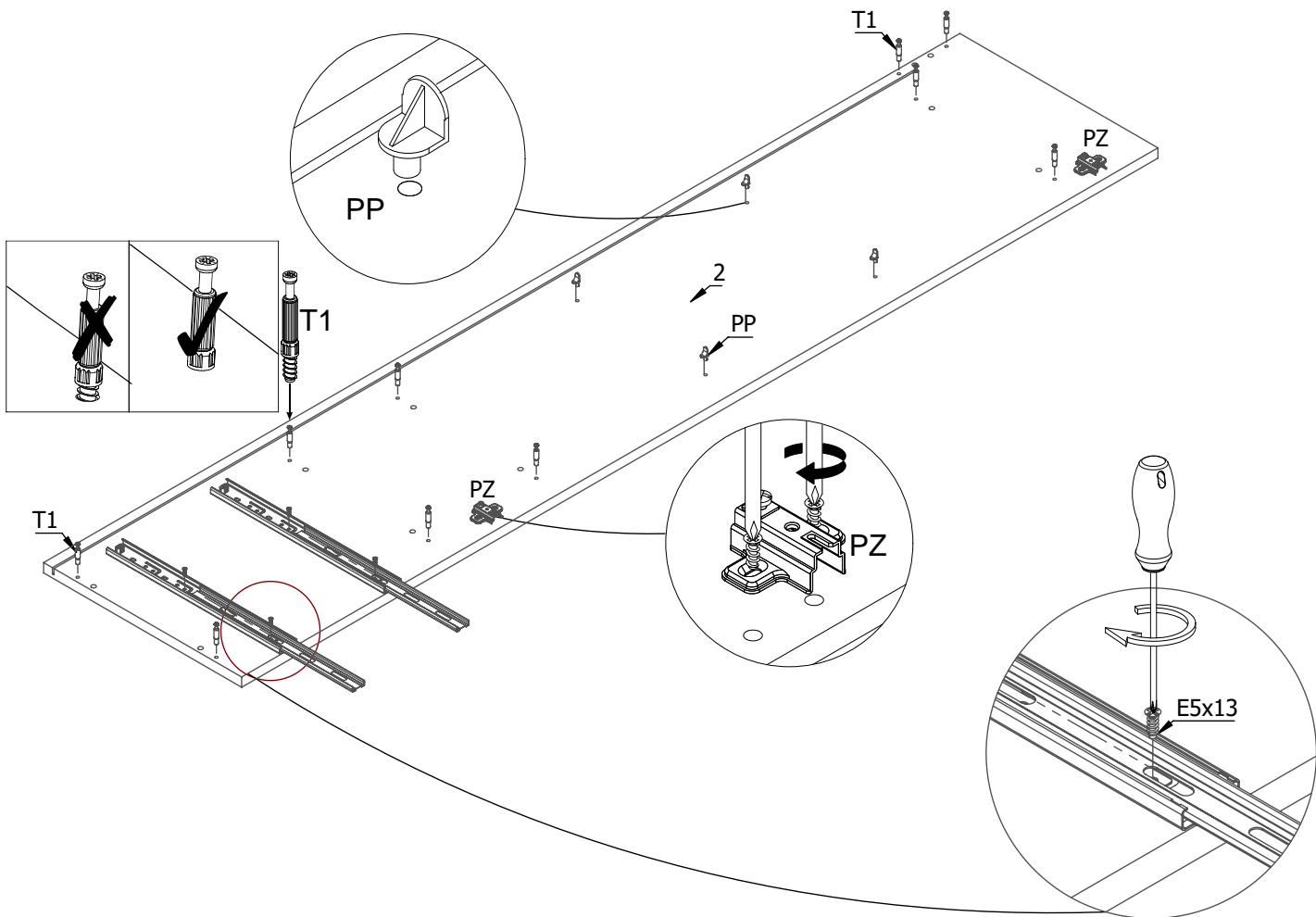
K30  46	T1  40	M1  40	X  40	STB  8	UM  3
KF  6	W4x16  4	MF  4	SM  4	E5x13  24	M22  3
Q  1	W3x16  5	ZP  2	PZ  2	PP  16	ZM  5


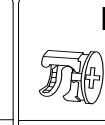
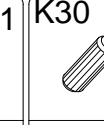


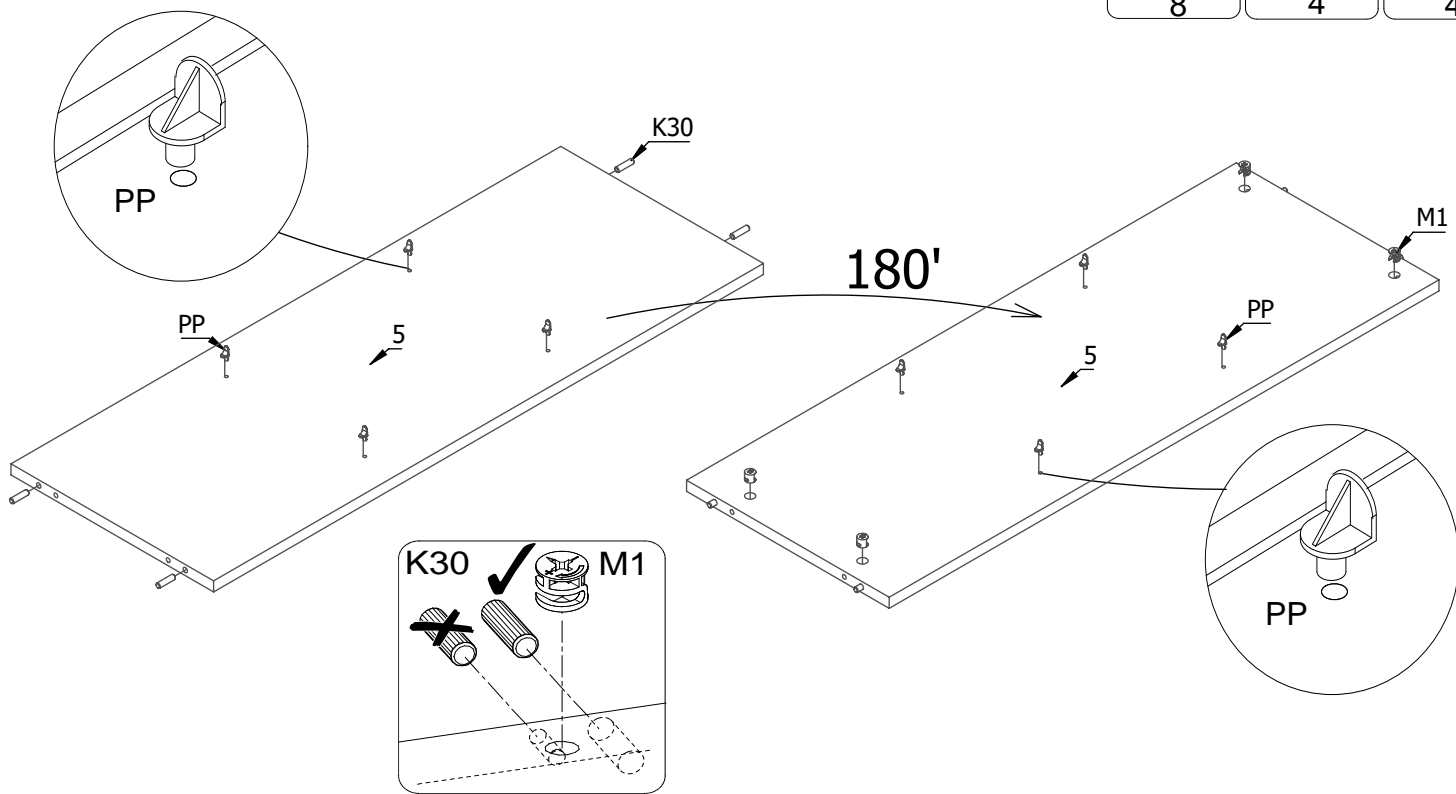
 RP 3	PP  4	T1  10	E5x13  6
--	---	--	--

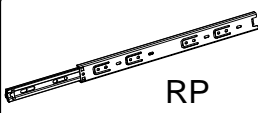






 RP	 PP	 T1	 E5x13	 PZ
2	4	10	4	2




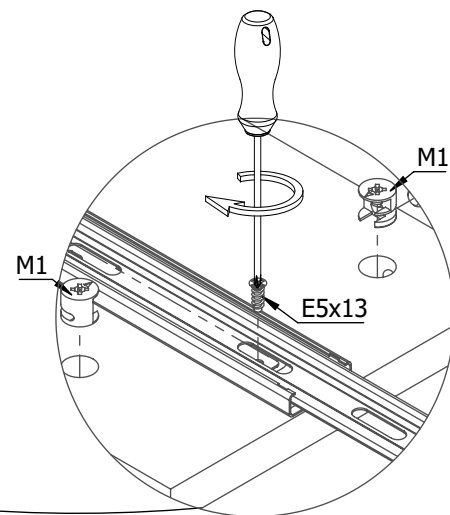
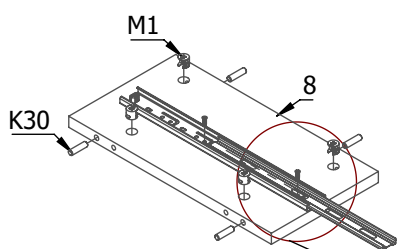
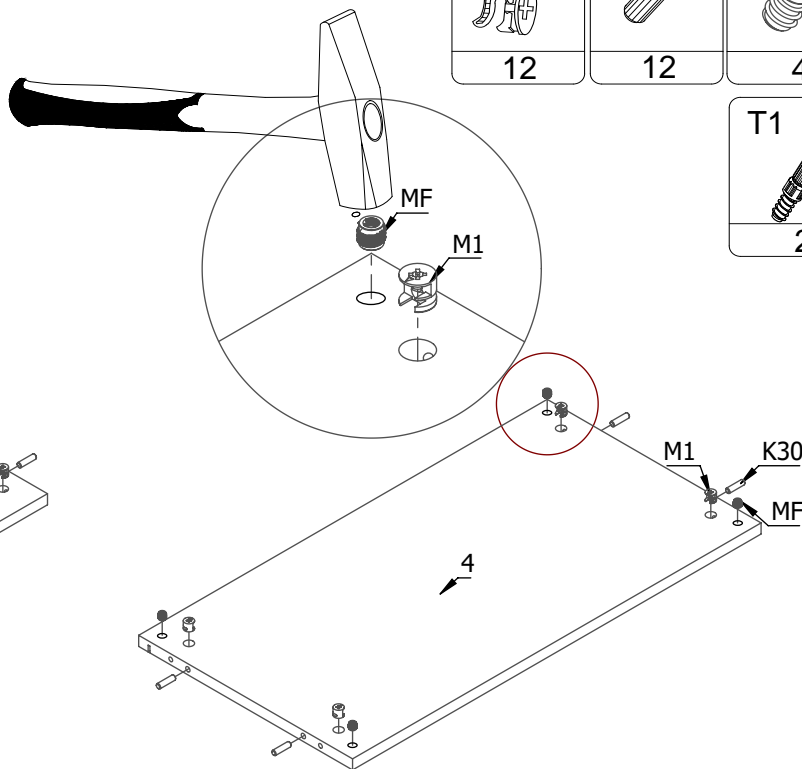
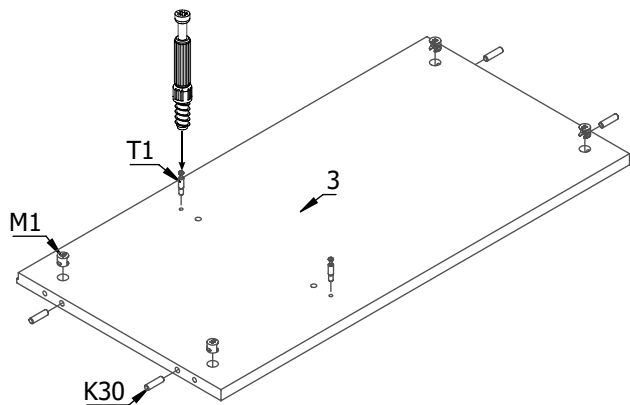
 PP	 M1	 K30
8	4	4










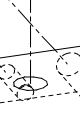
 RP	 E5x13
1	2



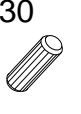
 M1	 K30	 MF
12	12	4

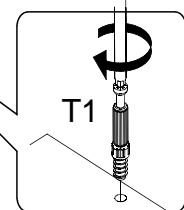
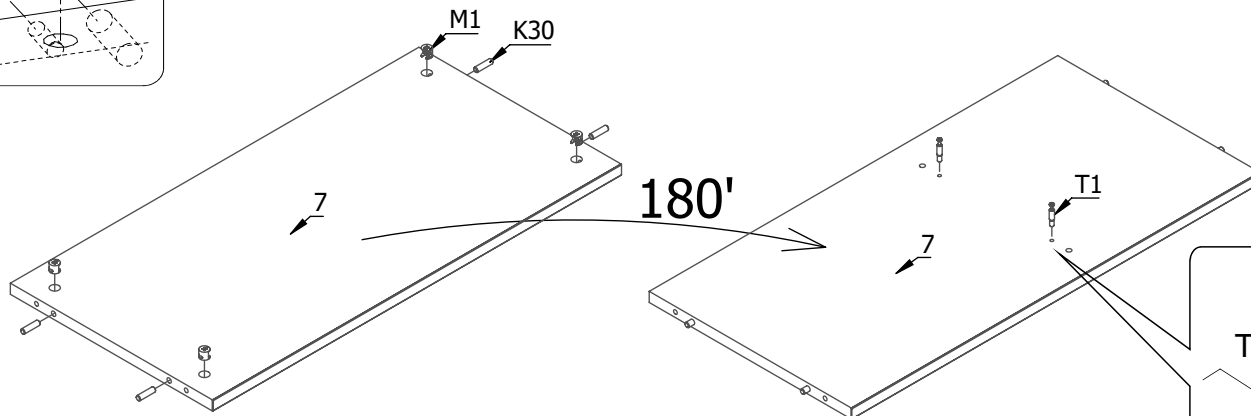
 T1
2








	
	

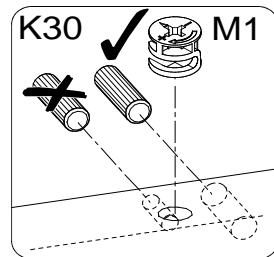
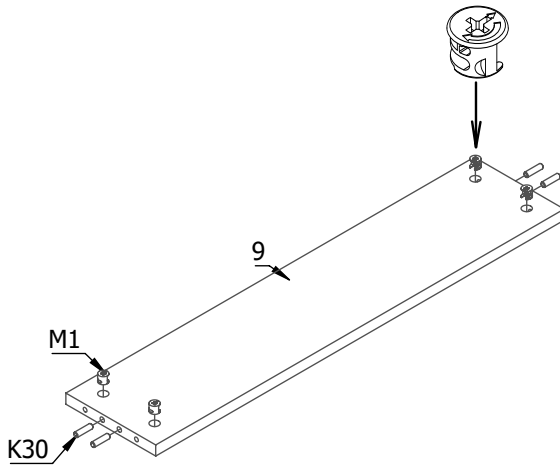
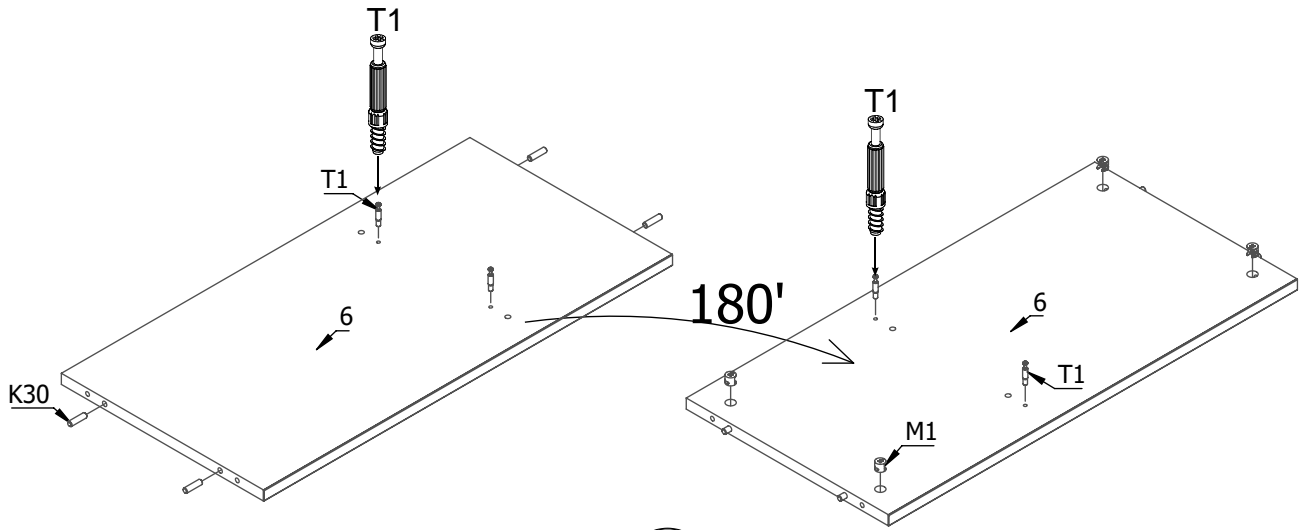
	
	

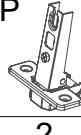

 T1	 M1	 K30
2	4	4

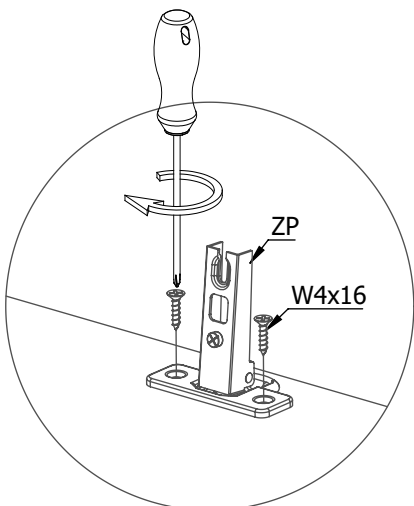
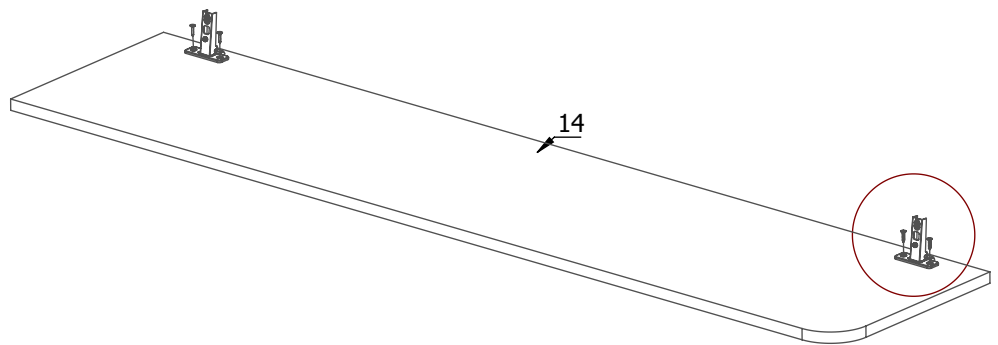









	
---	---

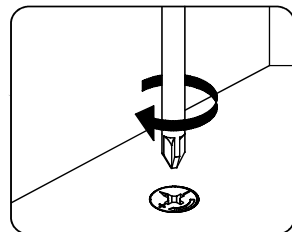
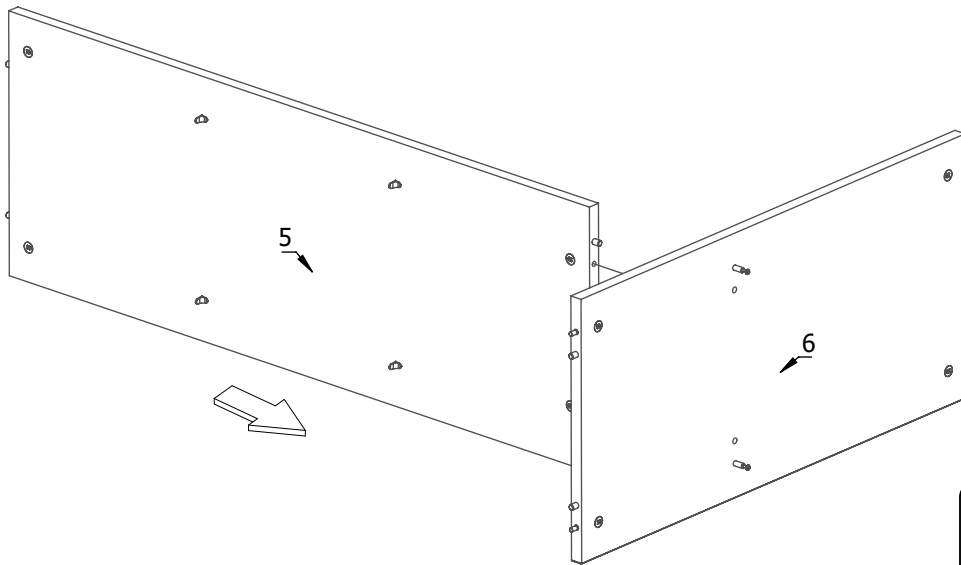
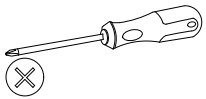
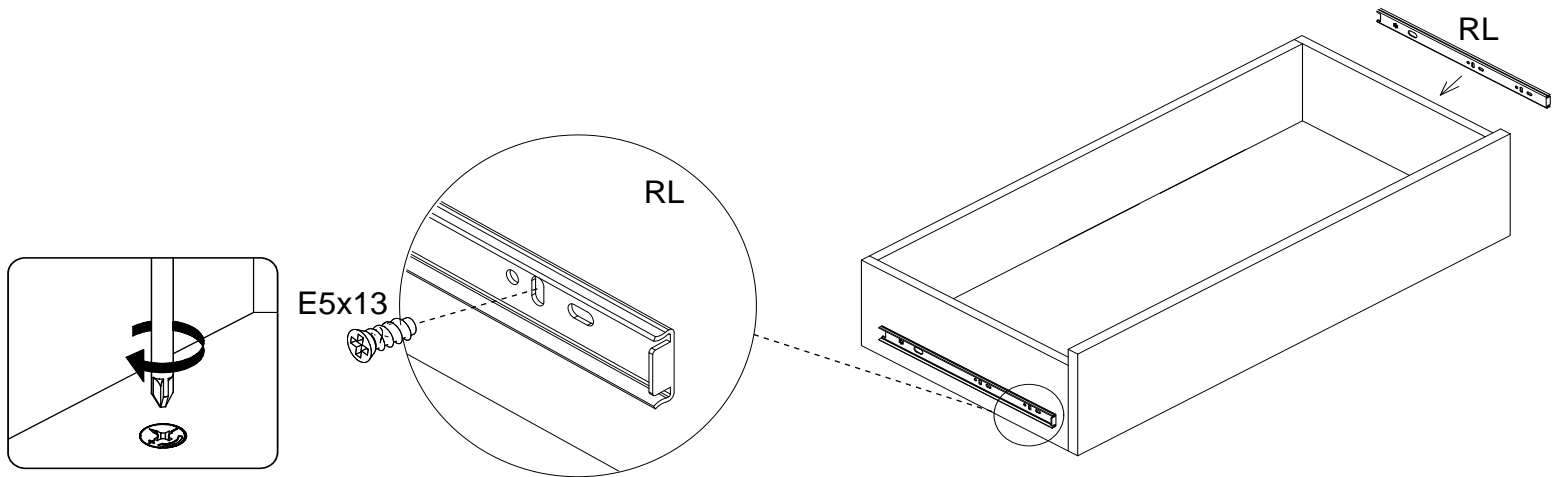
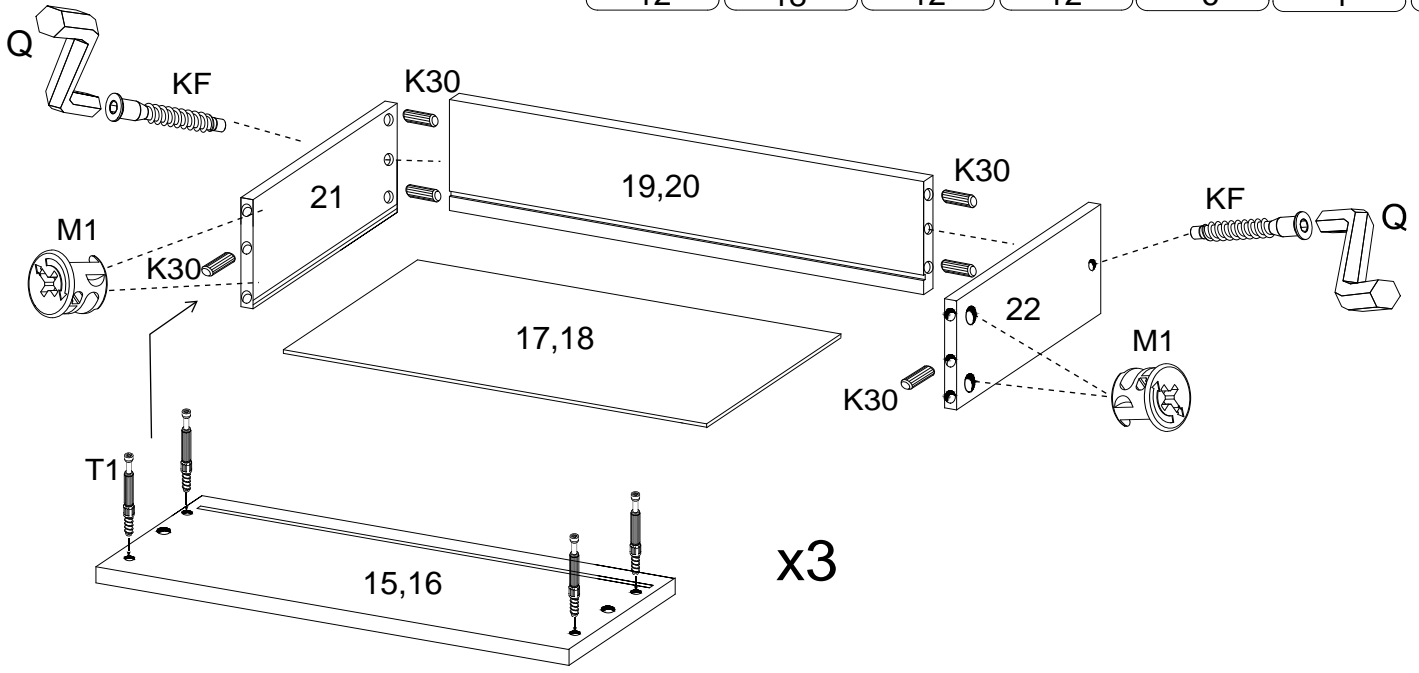
T1	M1	K30
		
4	8	8

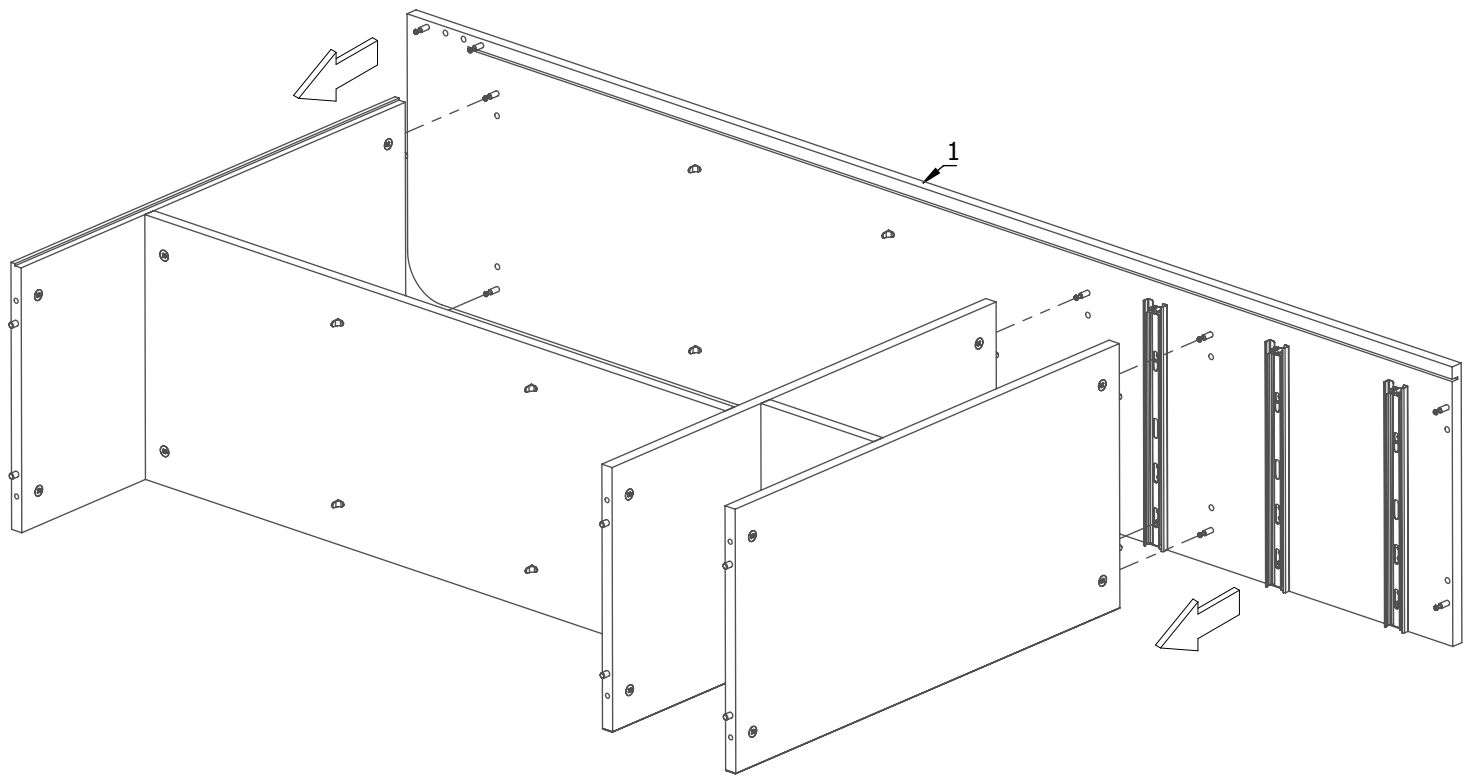
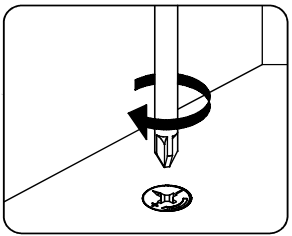
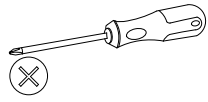
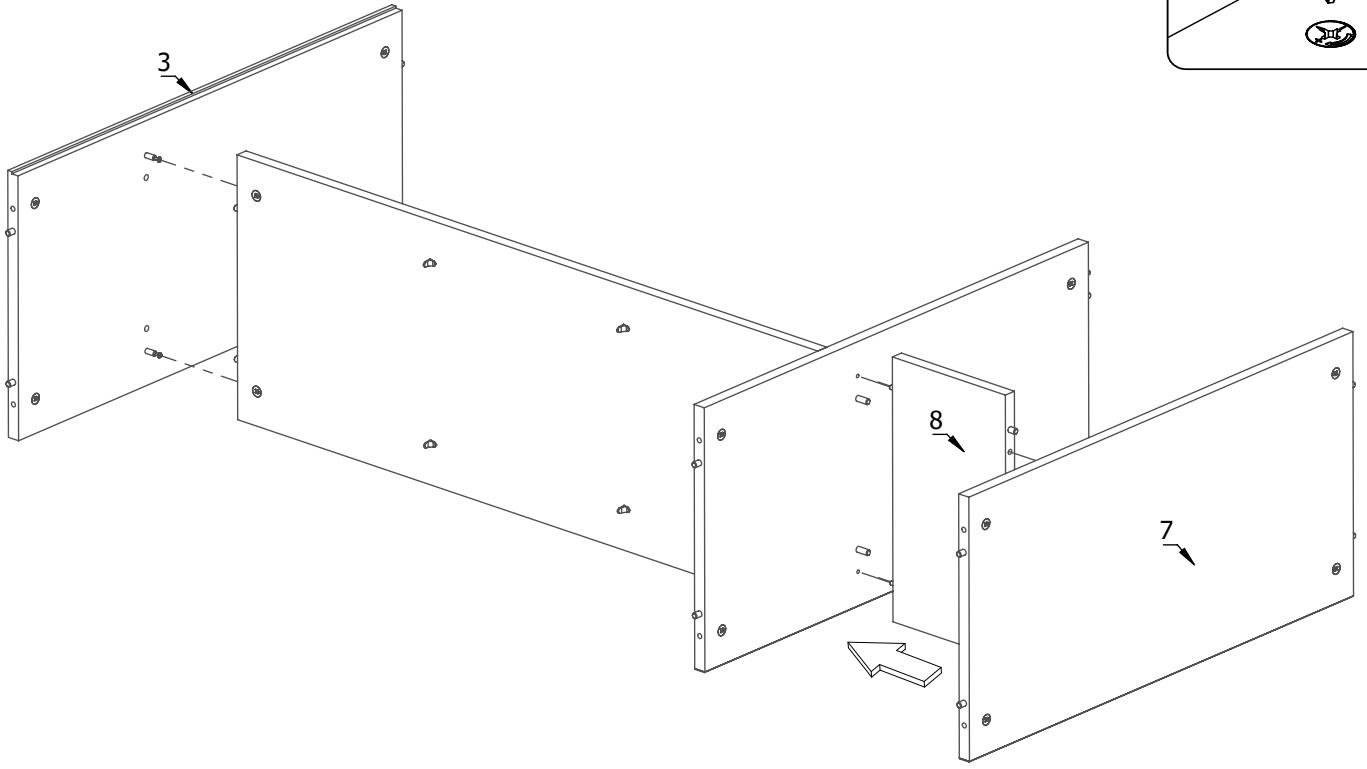
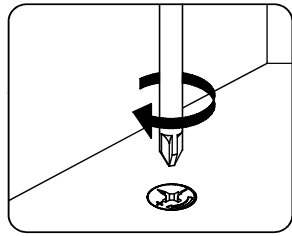
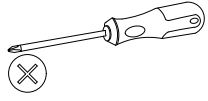


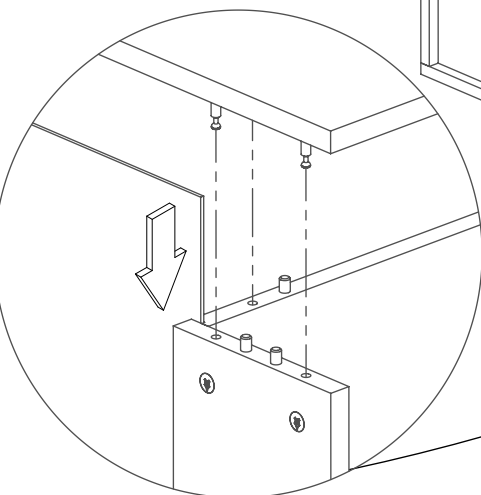
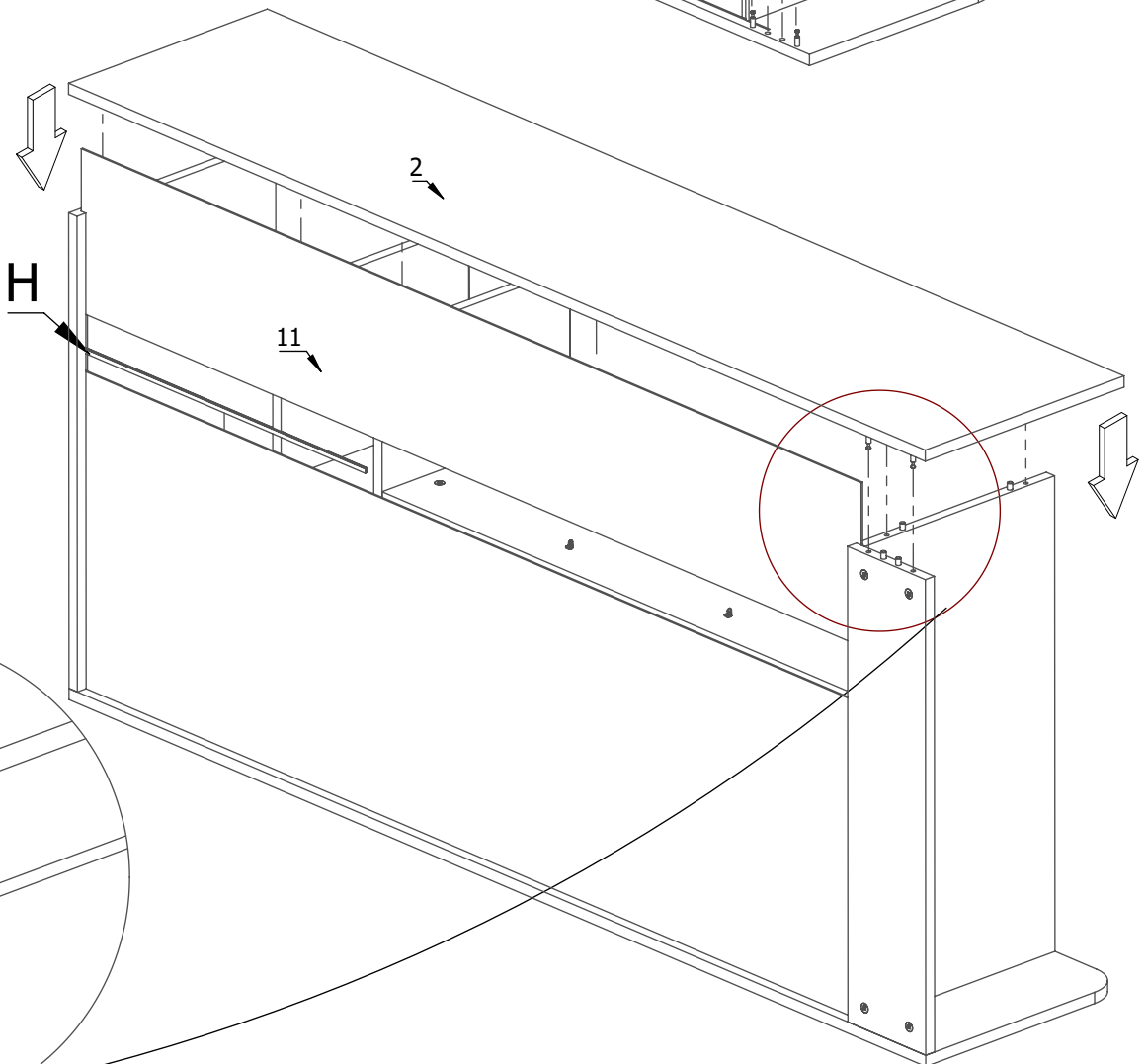
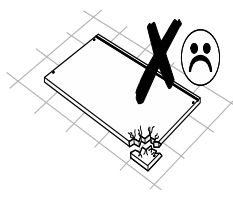
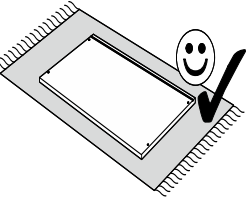
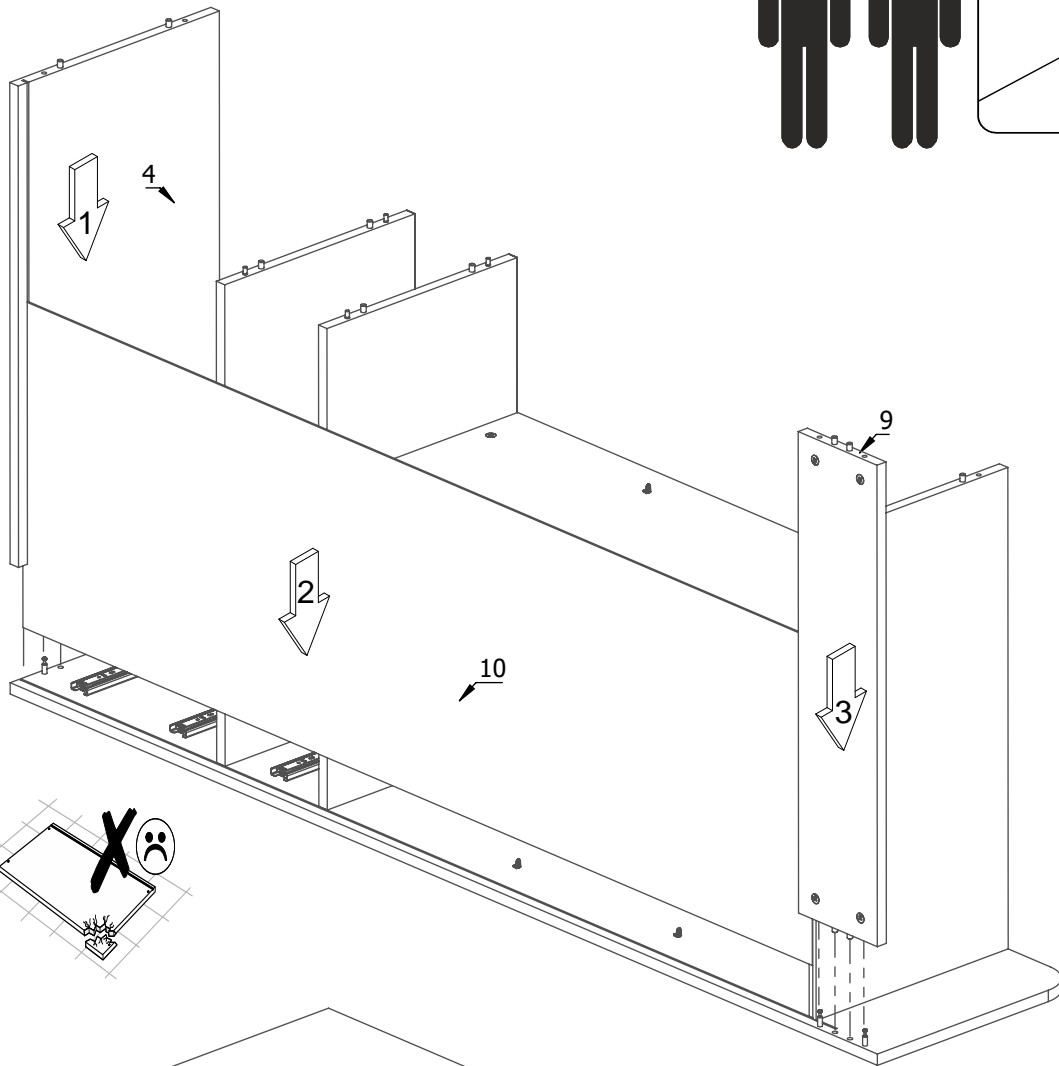
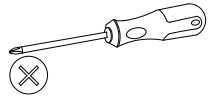
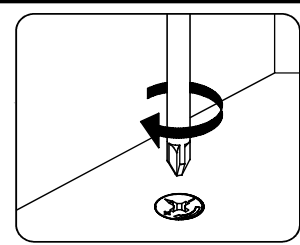
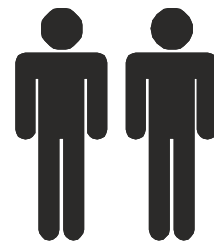
ZP	W4x16
	
2	4

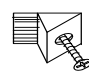

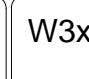
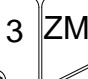


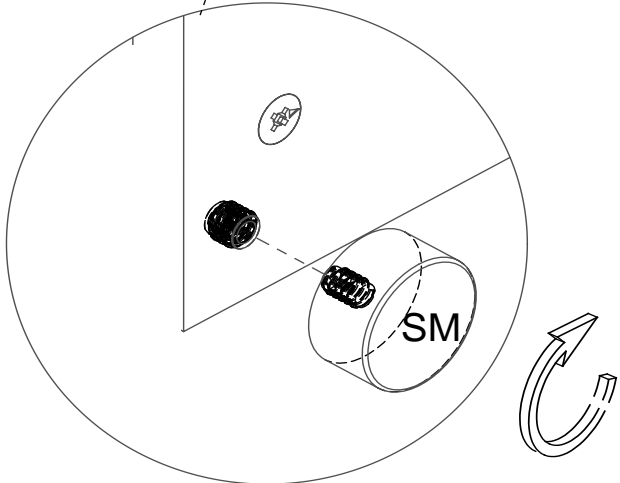
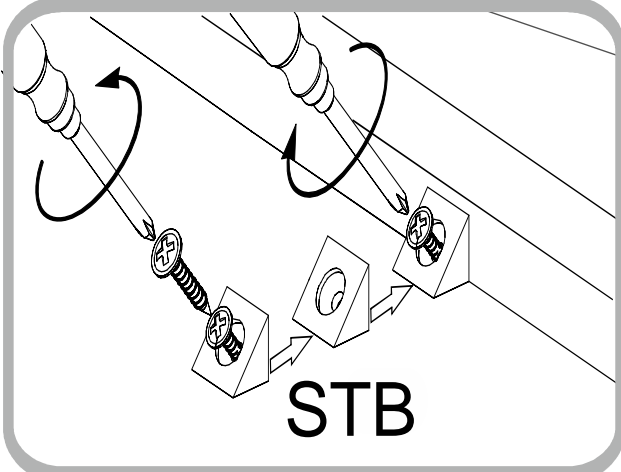
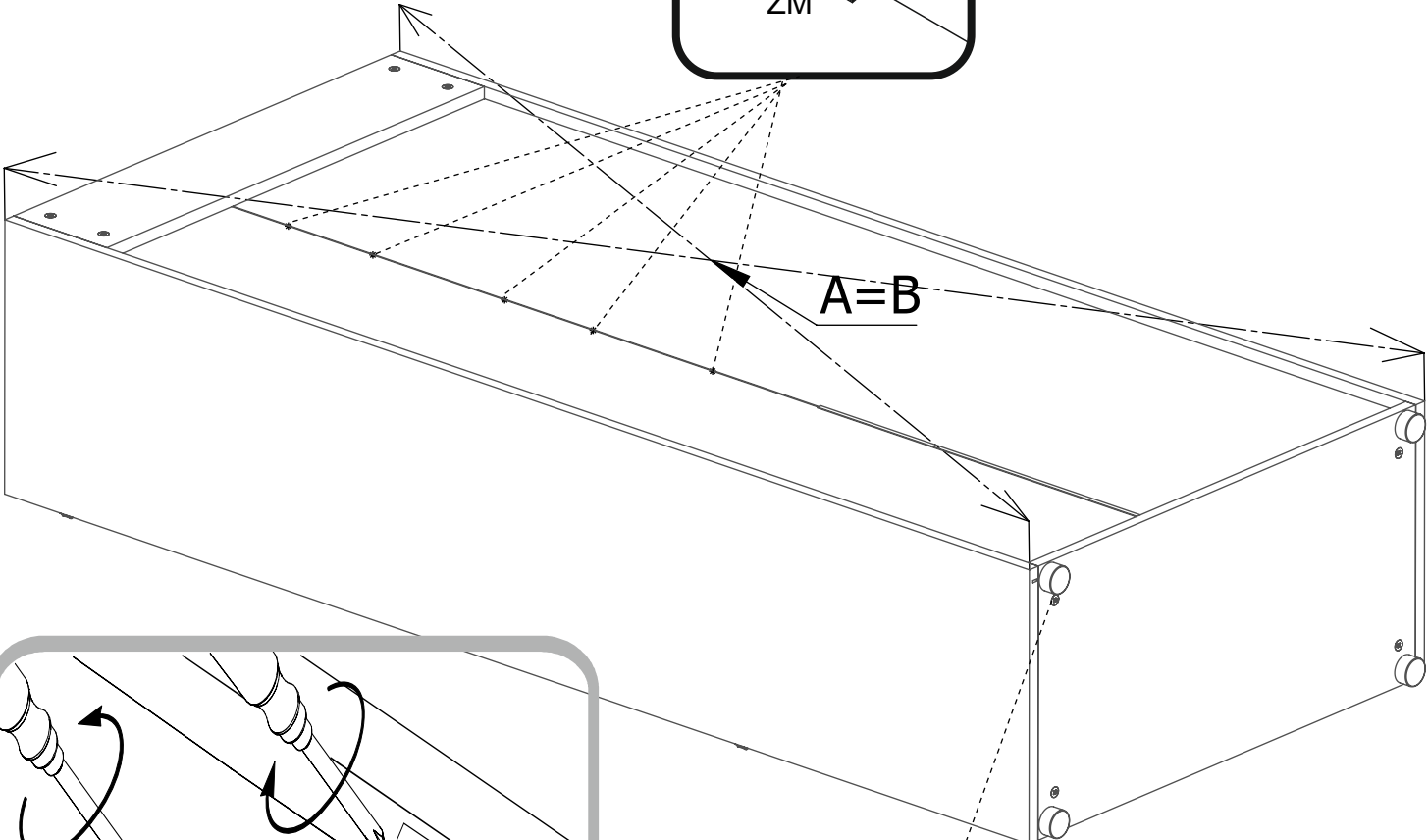
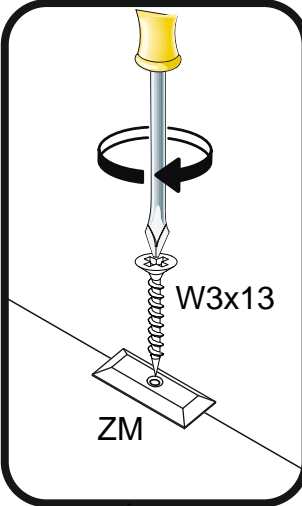
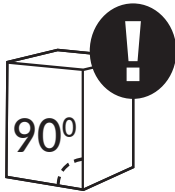
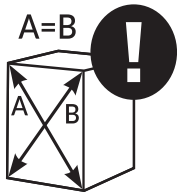
 M1	 K30	 T1	 E5x13	 KF	 Q	 RL
12	18	12	12	6	1	6










 STB	 SM	 W3x13	 ZM
8	4	5	5



 M22 3	X  40	UM  3
--	---	---

