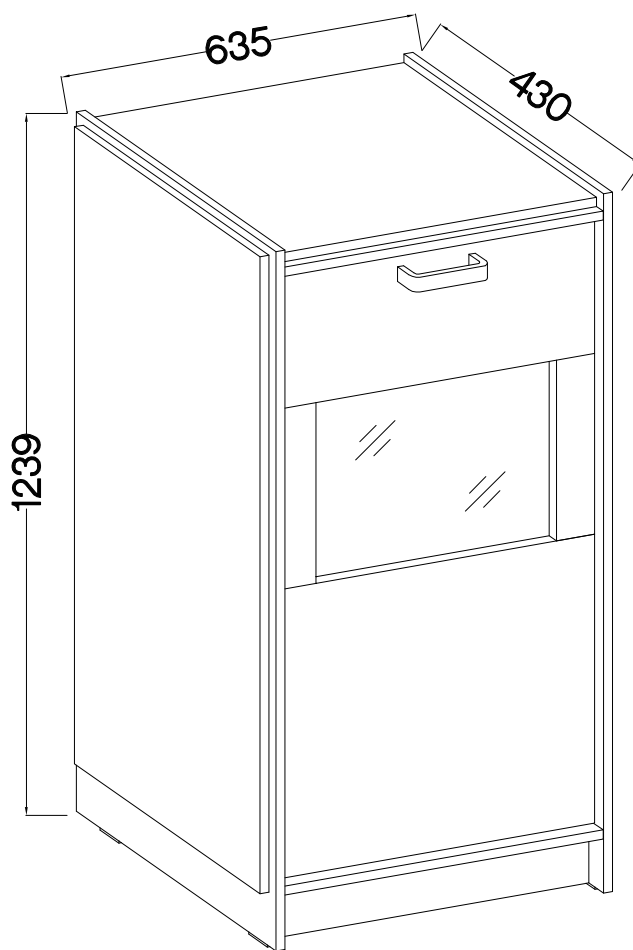
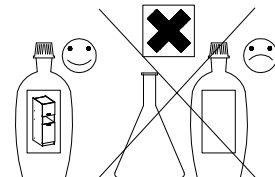
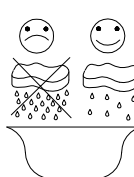
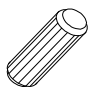
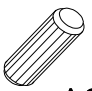
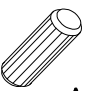


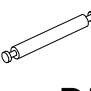
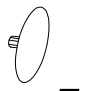
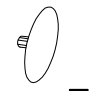
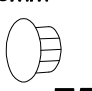
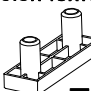
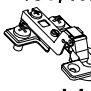
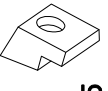
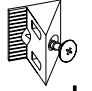







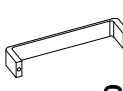



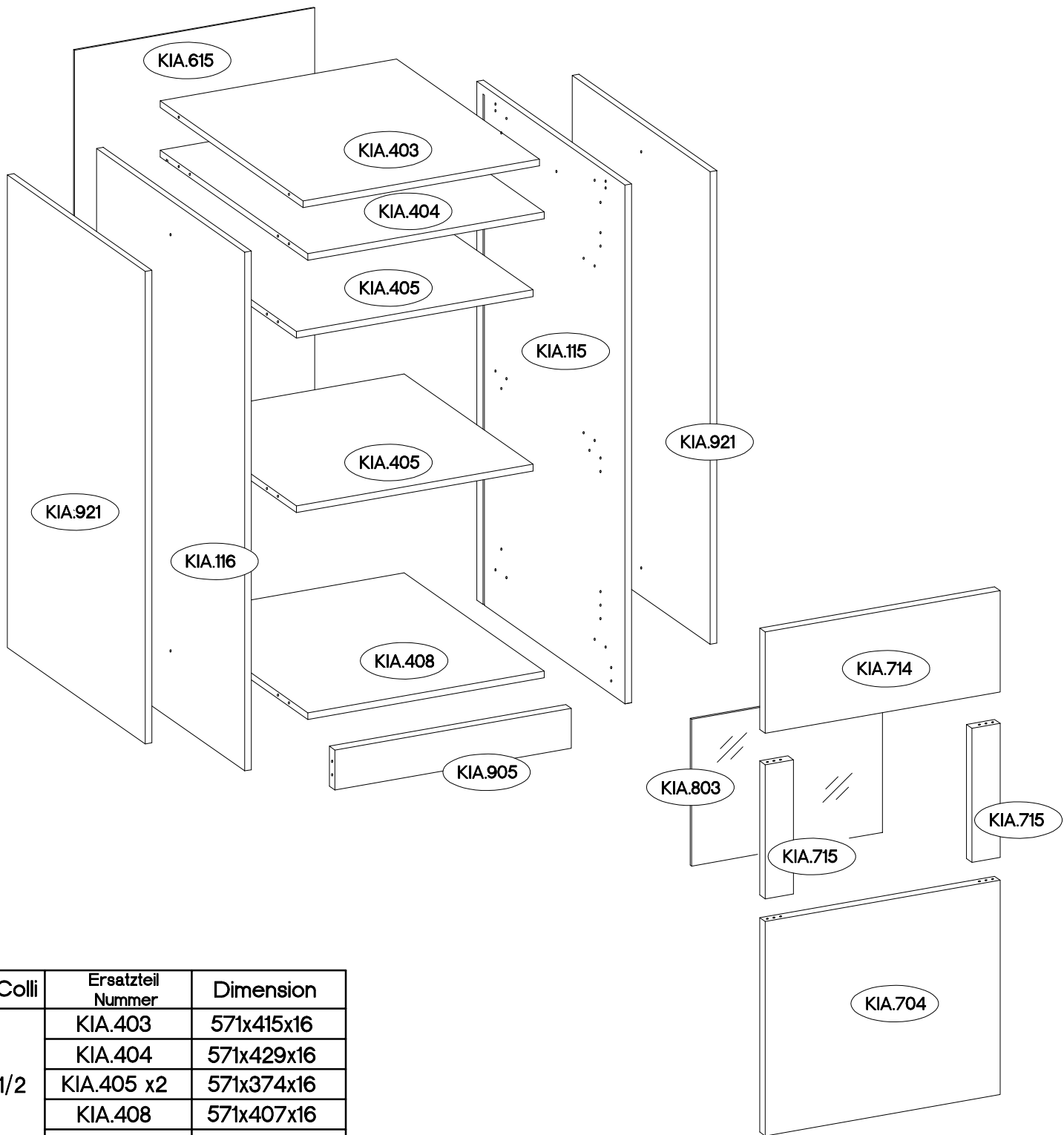
90 min

TYP 031



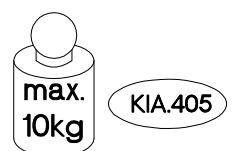
 A	 A2	 A4	 C	 D2	 D12	 E cza.	 E art.	 E5	 F2	 HG2
24	8	4	24	16	4	12	8	3	4	3
 J8	 L	 L9	 O1	 O7	 P5	 P7	 P11	 P25	 S	 U
6	10	1	1	1	7	12	6	15	1	2

ISM-KIA-011






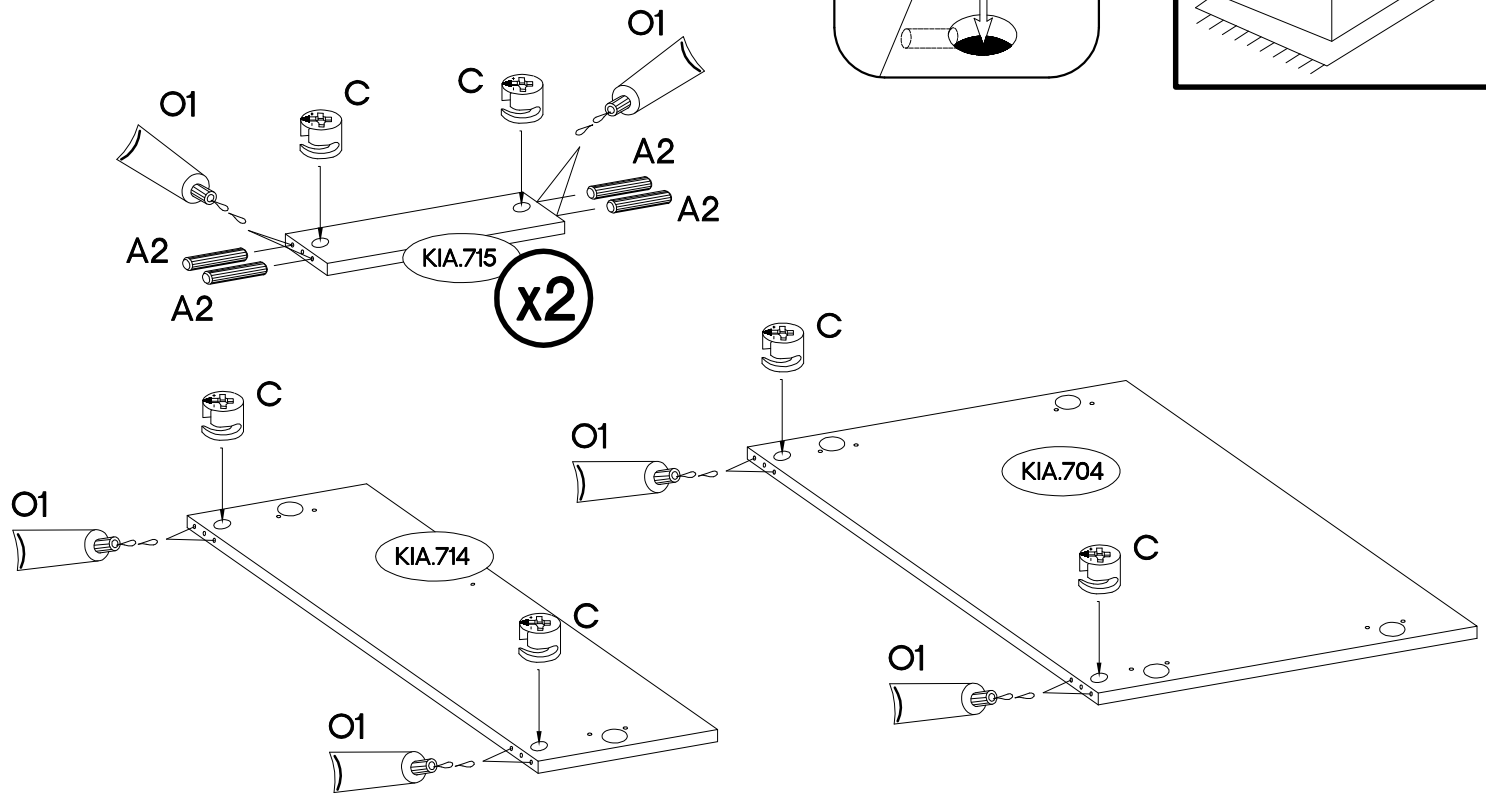
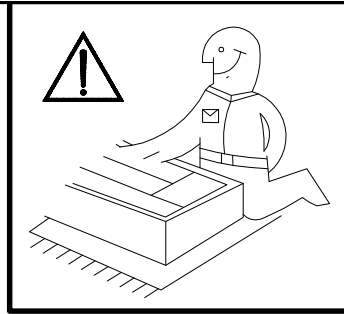
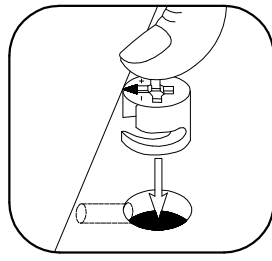
Colli	Ersatzteil Nummer	Dimension
1/2	KIA.403	571x415x16
	KIA.404	571x429x16
	KIA.405 x2	571x374x16
	KIA.408	571x407x16
	KIA.803	349x461x4

Colli	Ersatzteil Nummer	Dimension
2/2	KIA.115	1234x430x16
	KIA.116	1234x430x16
	KIA.615	1095x580x2,5
	KIA.714	567x241x16
	KIA.704	567x510x16
	KIA.715 x2	319x68x16
	KIA.905	571x95x16
	KIA.921 x2	1124x400x16




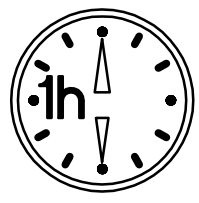
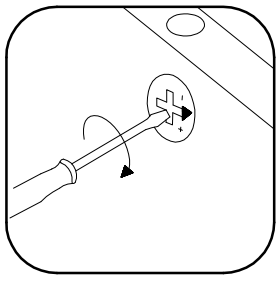
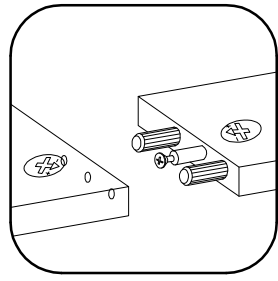
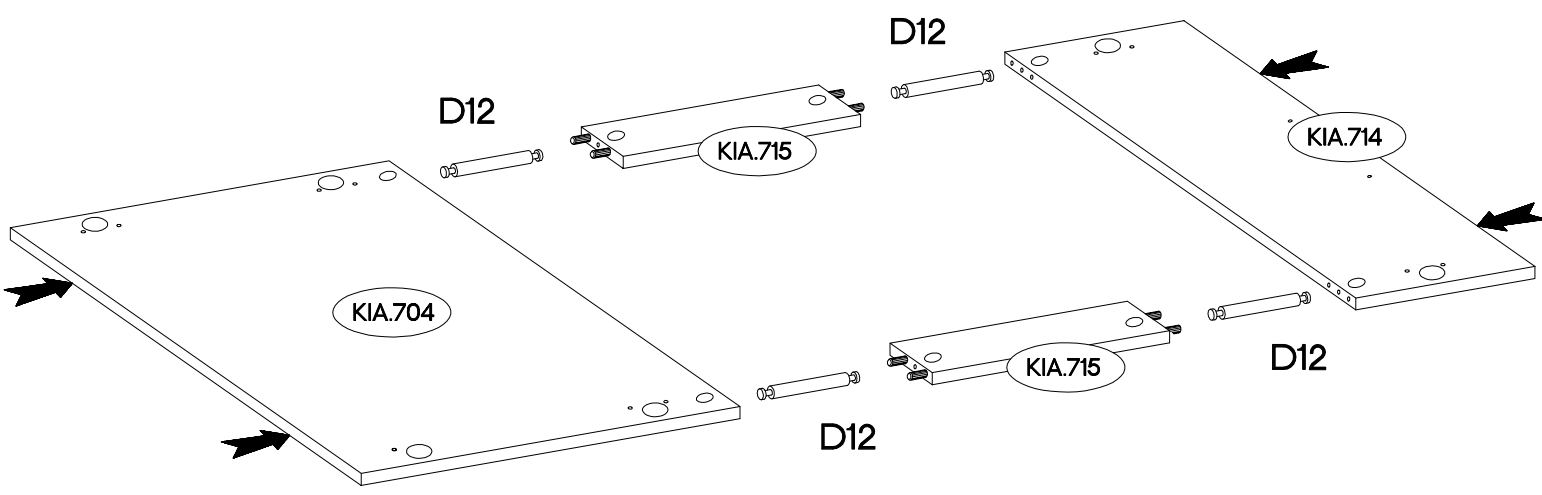
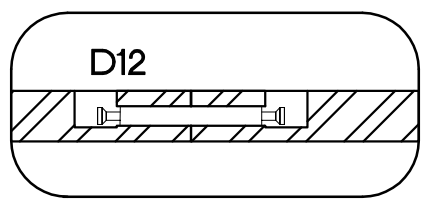
# 1





 #15/12mm <b>C</b>	 #8x60mm <b>A2</b>	
8	8	1

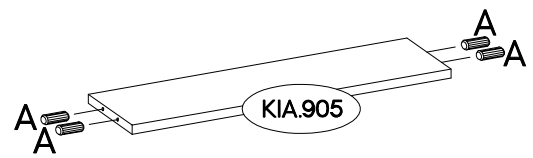
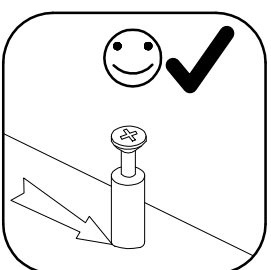
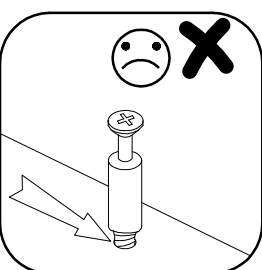
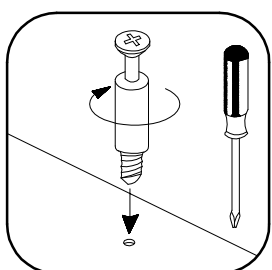
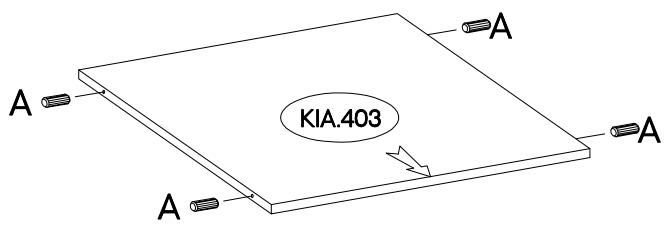
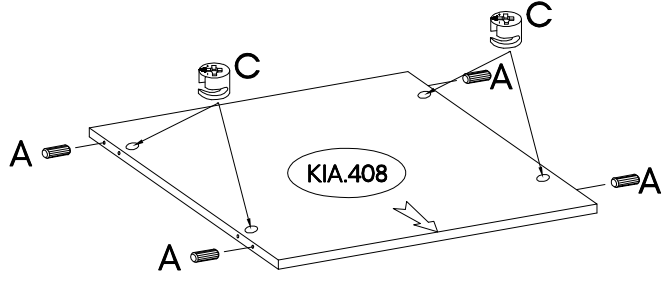
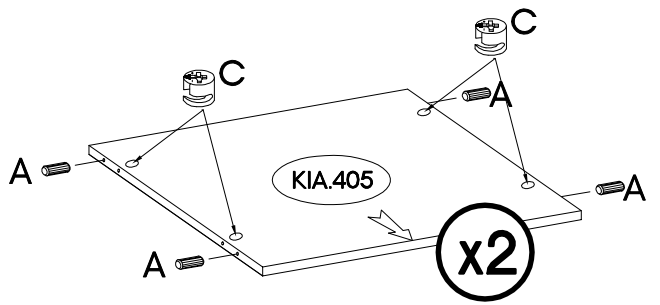
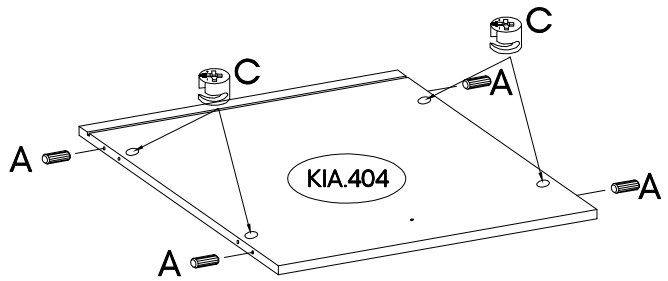
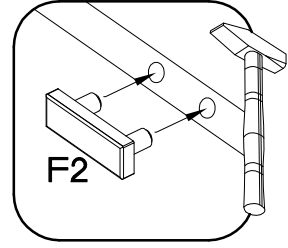
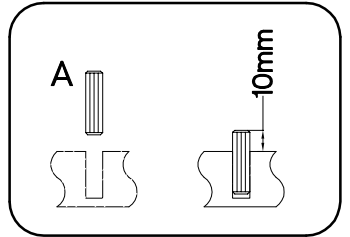
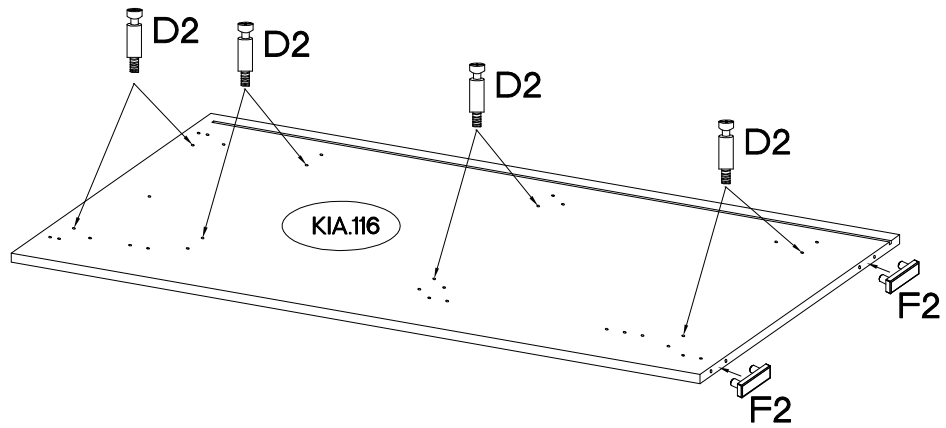
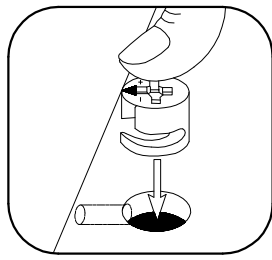
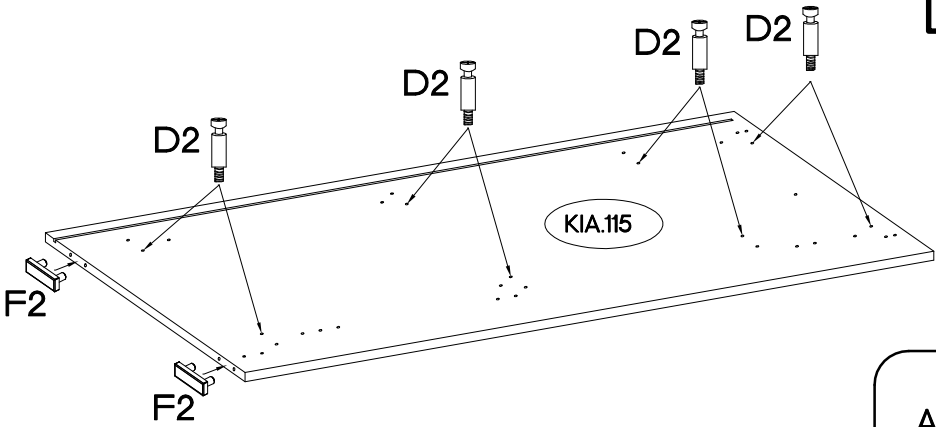
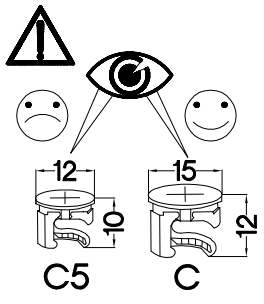
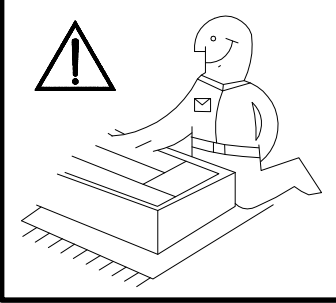


# 2

 L=40mm <b>D12</b>
4


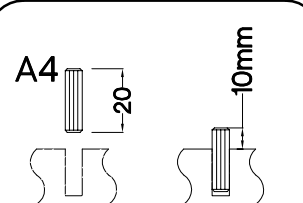


 <p>‡8x30mm A</p>	 <p>L=20mm D2</p>	 <p>‡15/12mm C</p>	 <p>6.5x48x16 F2</p>
24	16	16	4

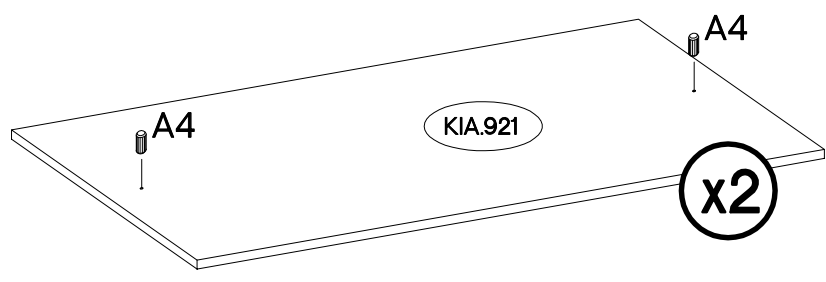
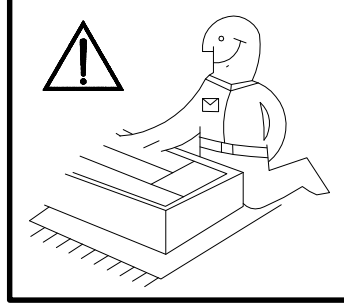


4

±8x20mm  
A4  
4


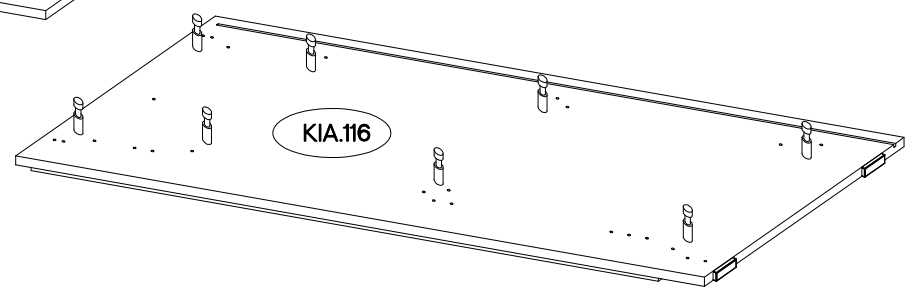
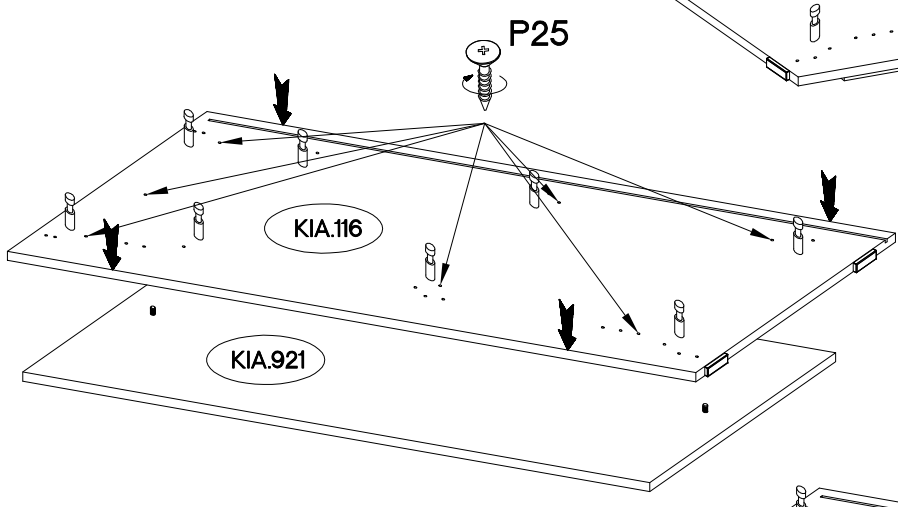
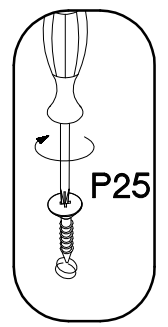
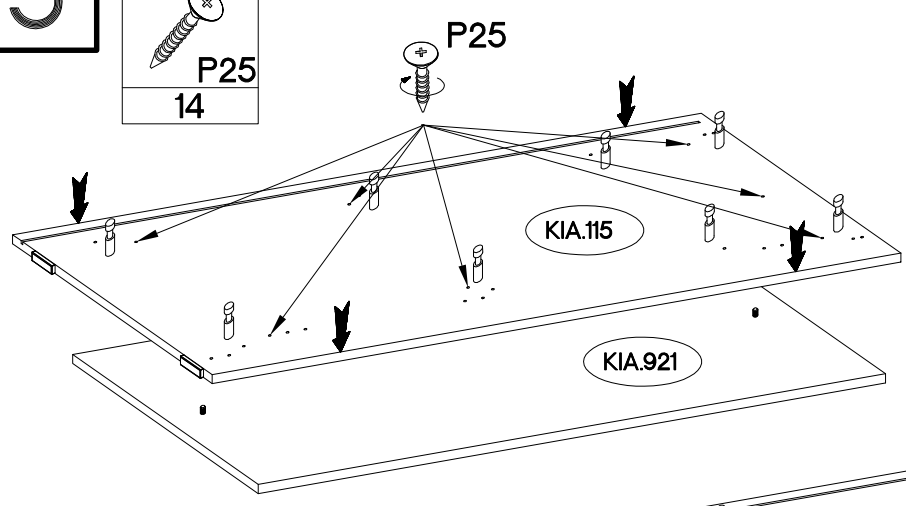
A4 20 10mm



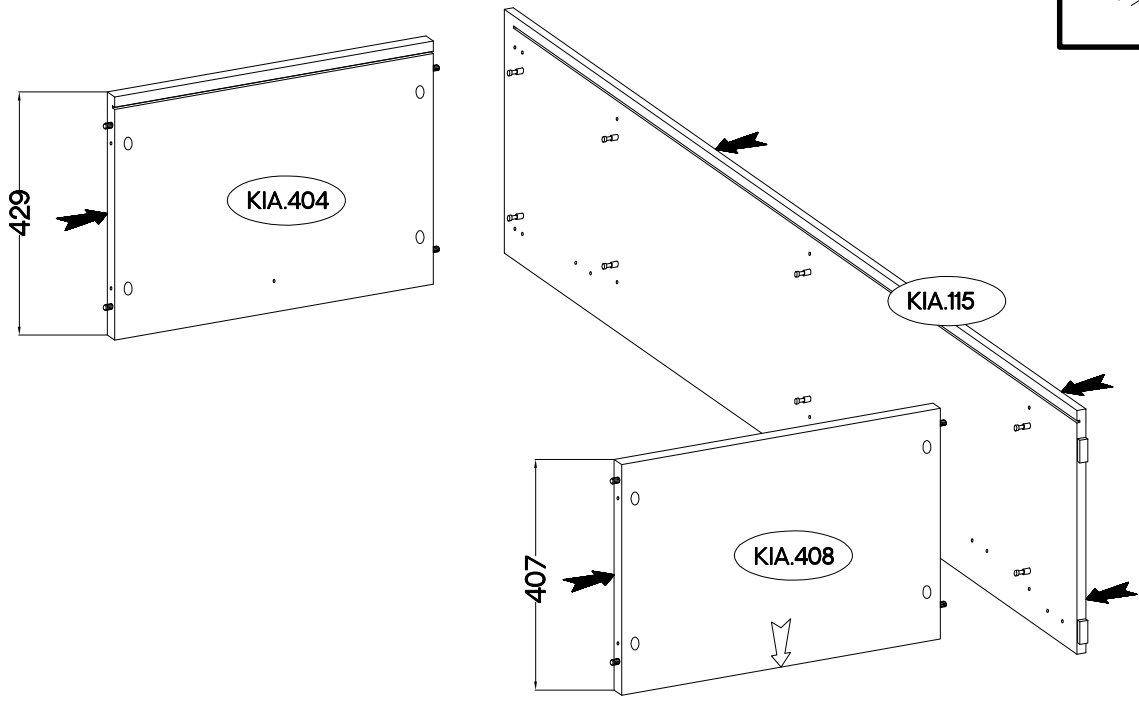
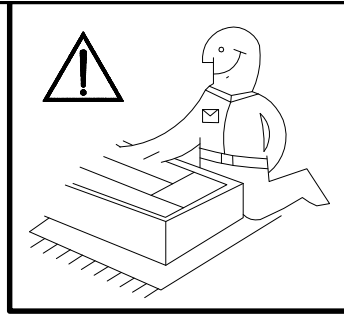
x2

5

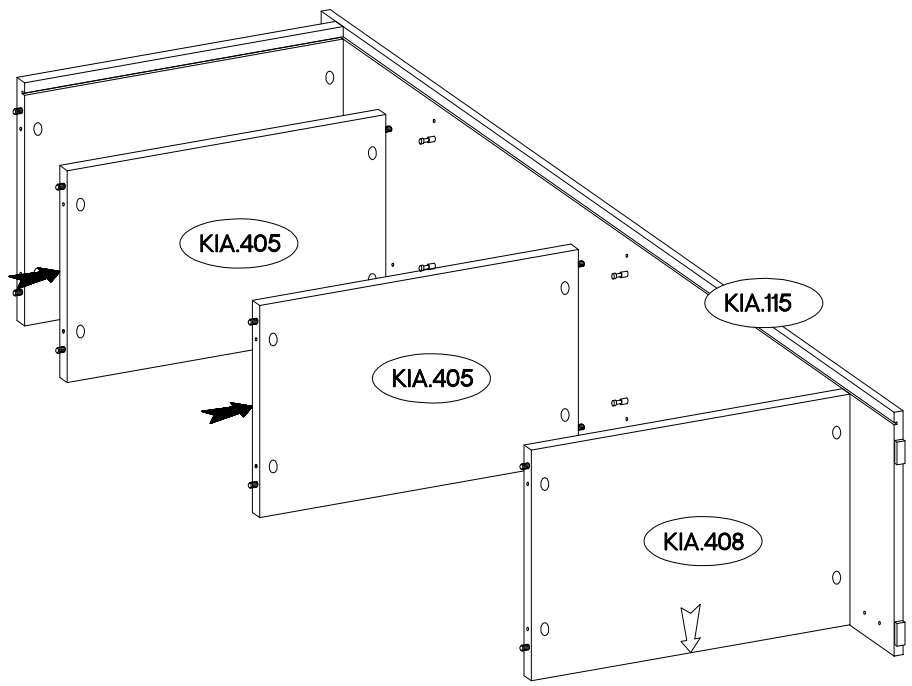
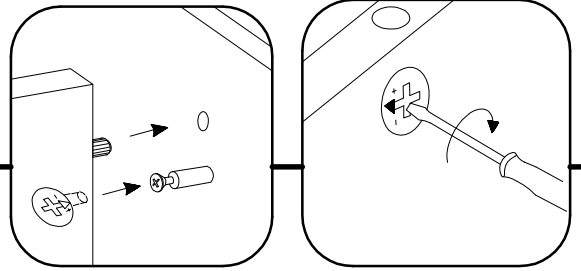
±3.5x25mm  
BLACK  
P25  
14

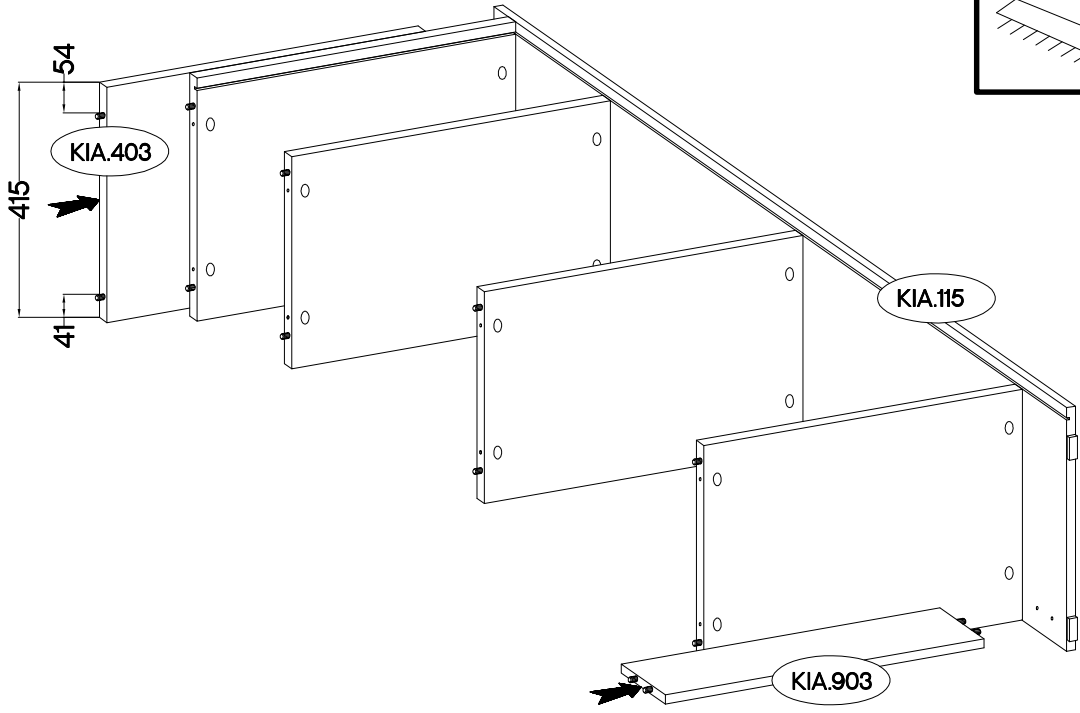
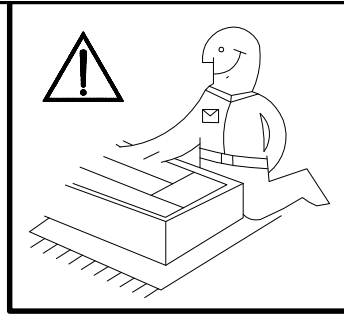
6



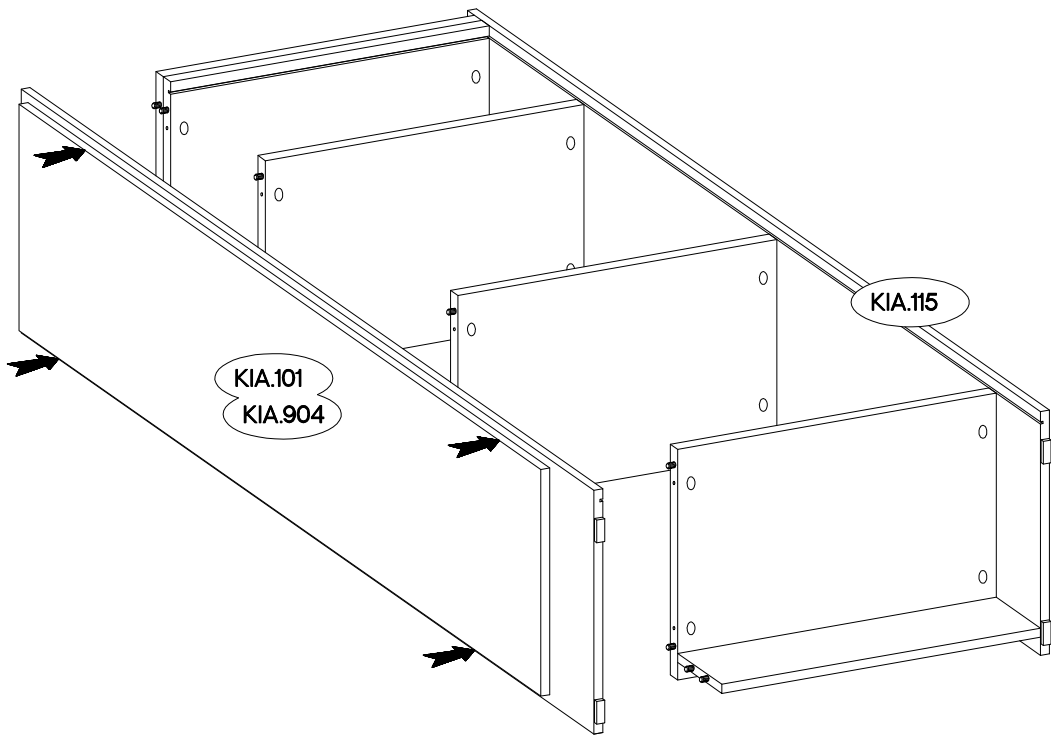
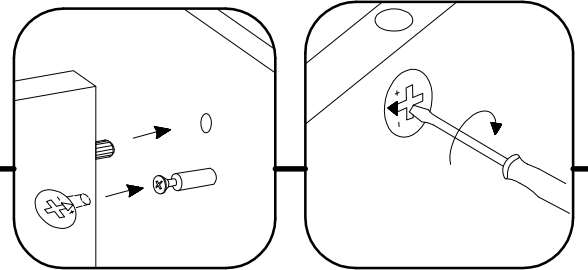
7


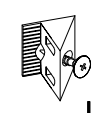


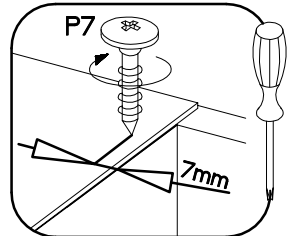
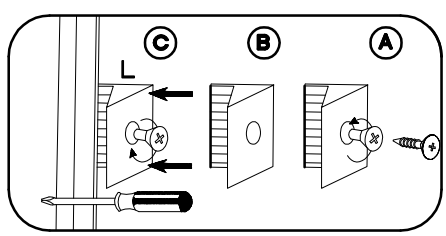
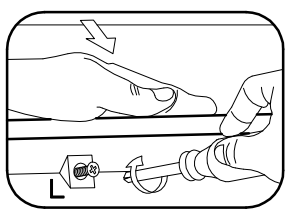
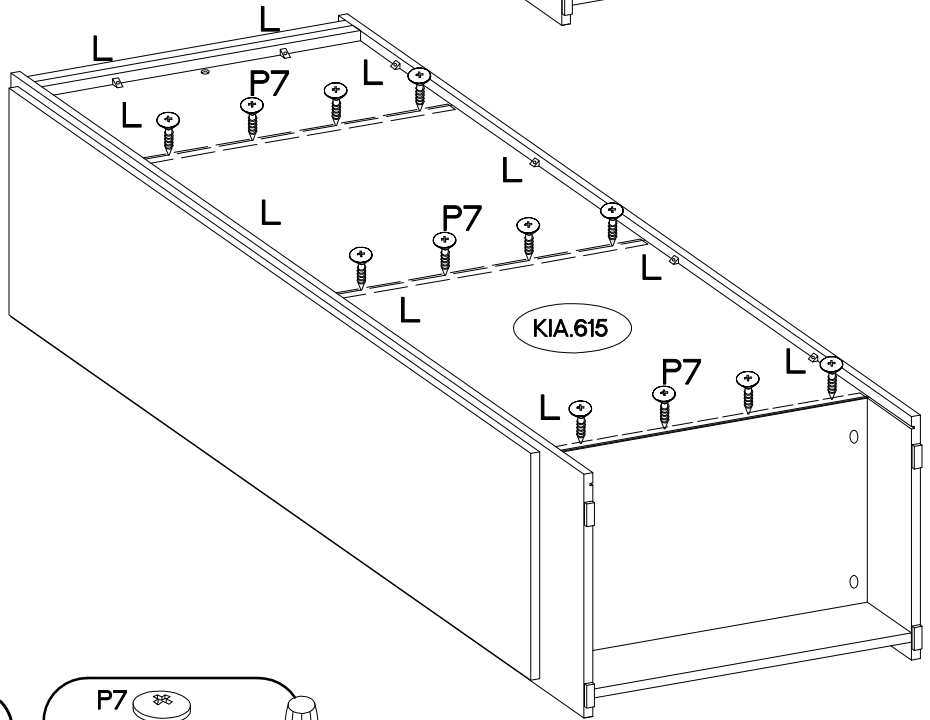
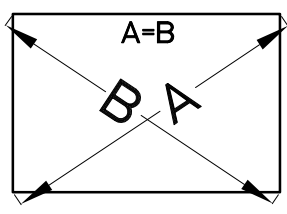
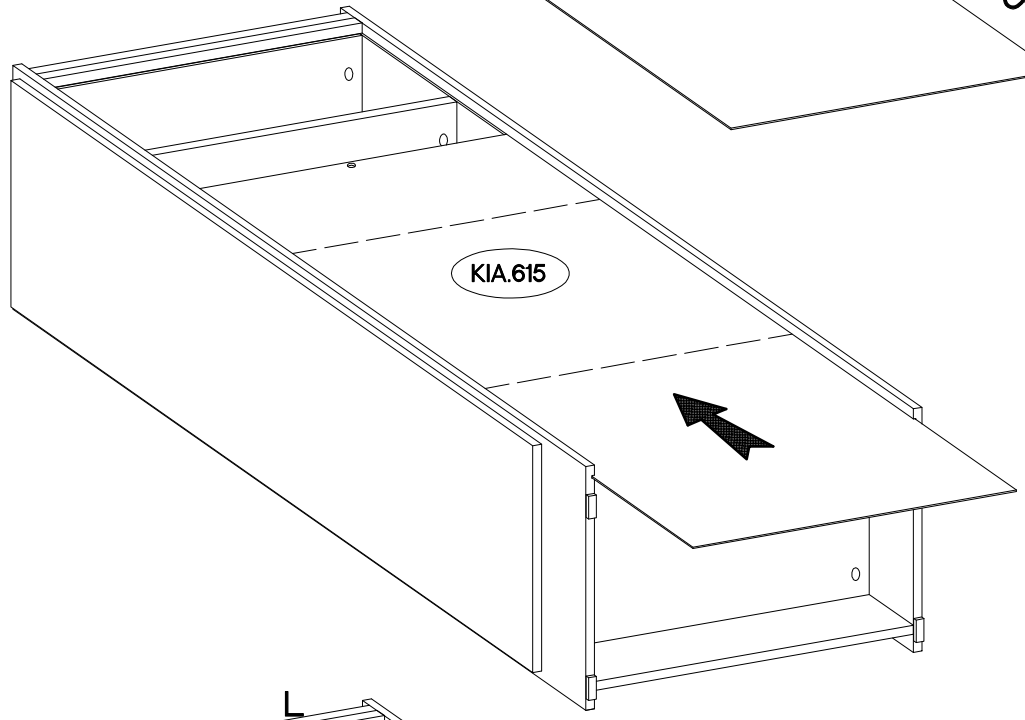
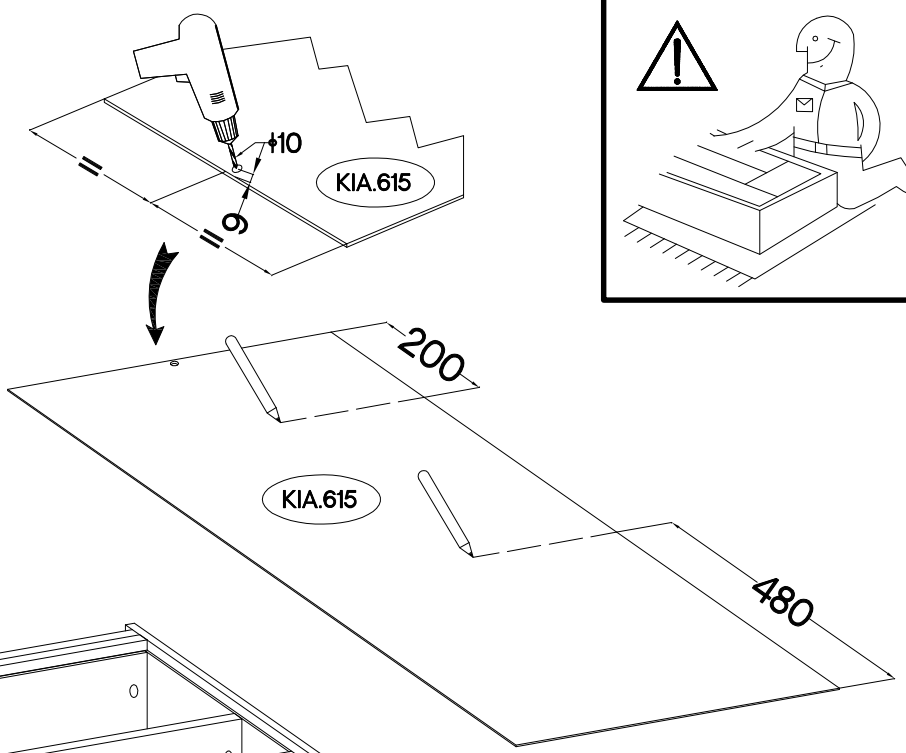
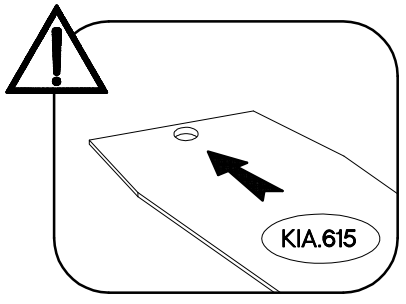
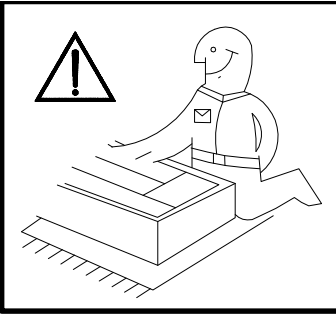
8






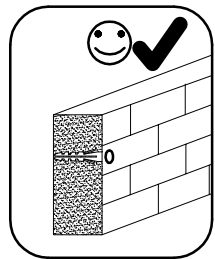
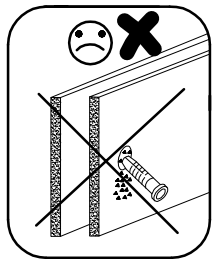
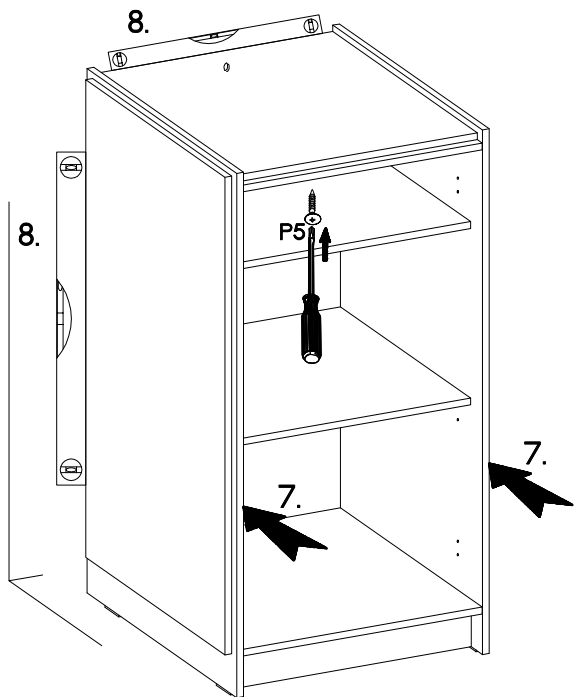
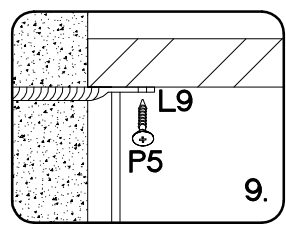
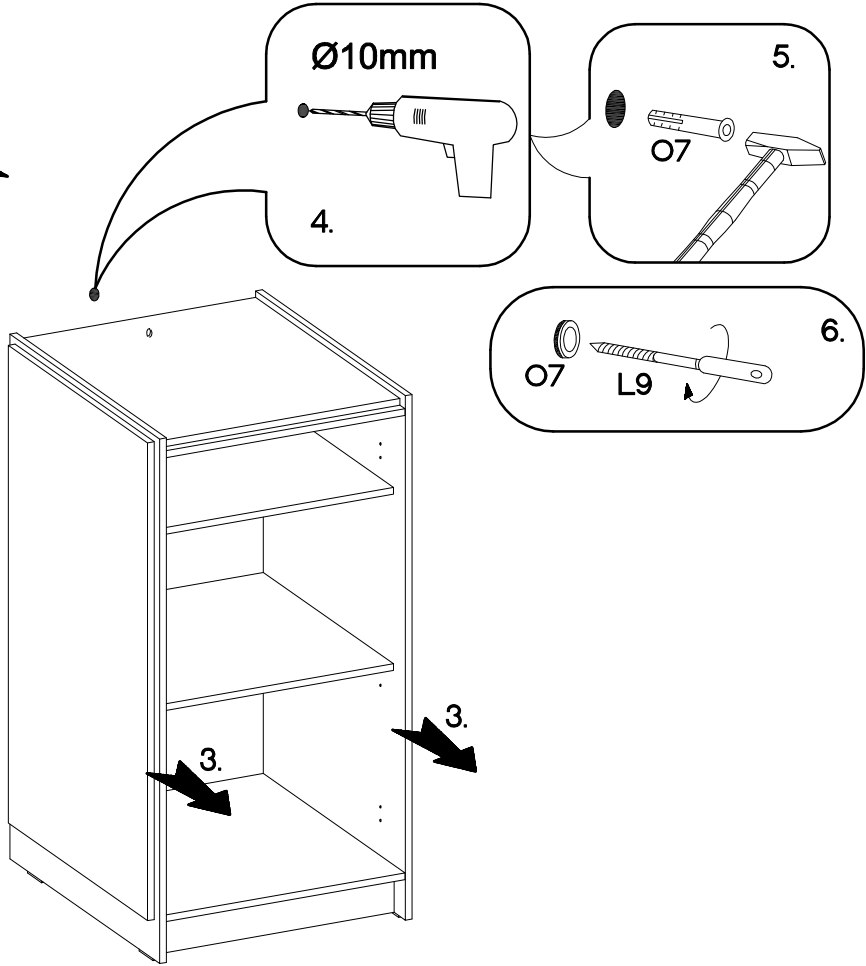
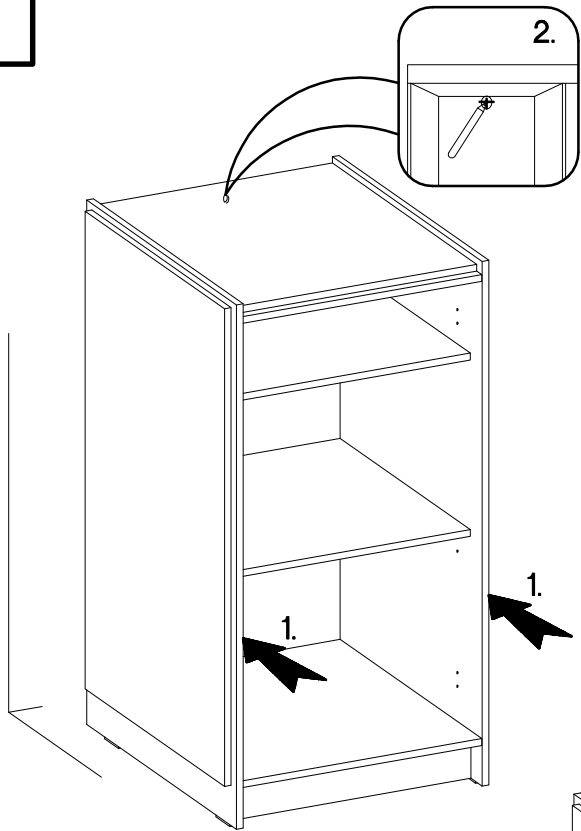
9


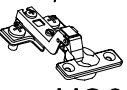

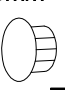



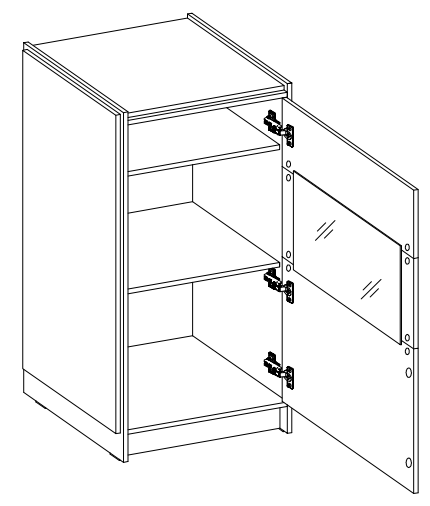
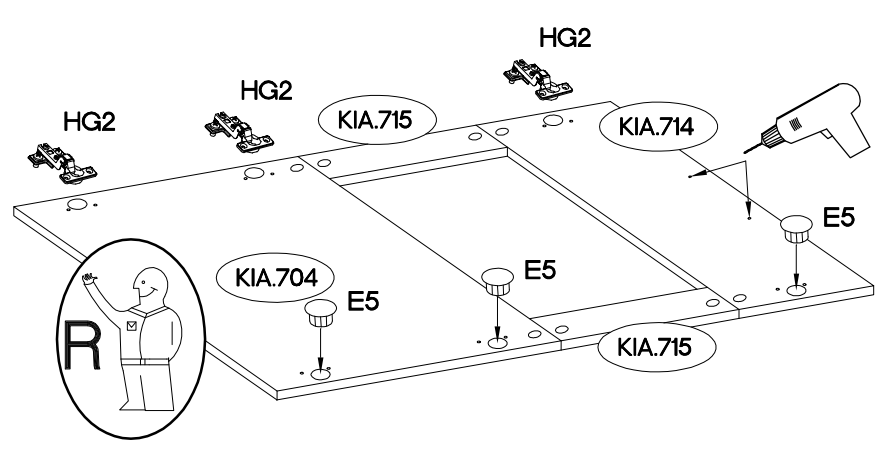
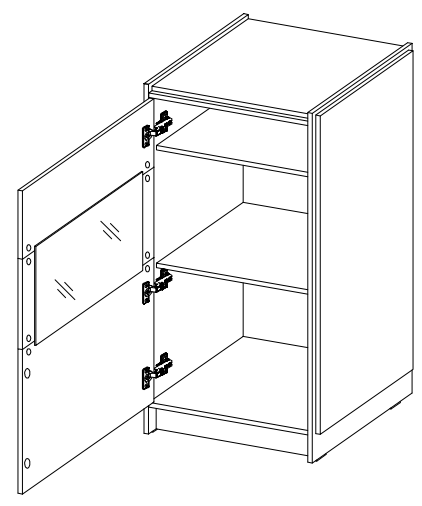
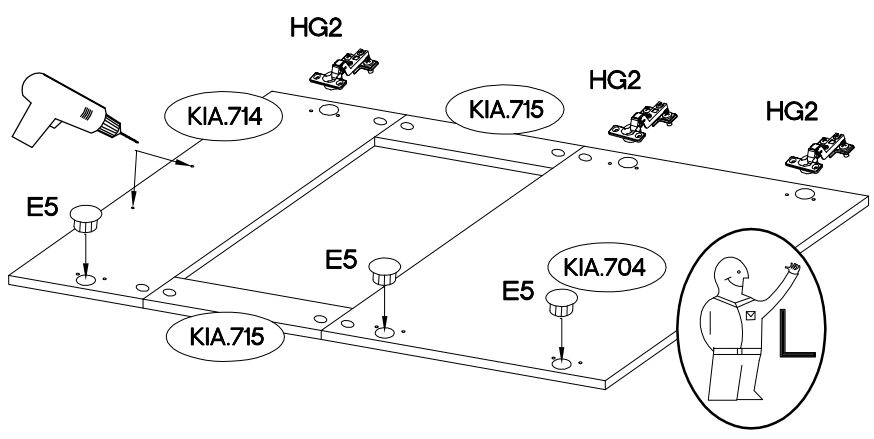
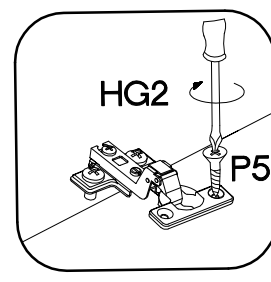
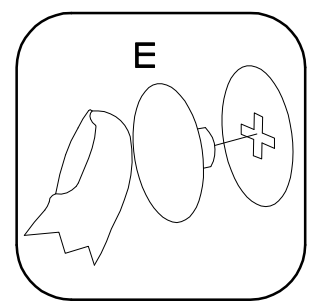
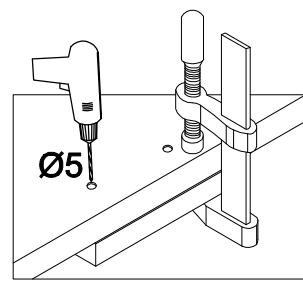
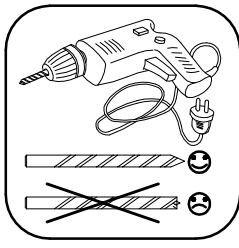
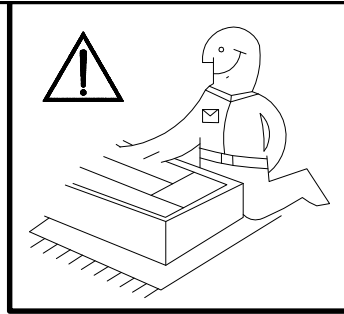
$\pm 3.0 \times 20 \text{mm}$  P7 12	 L 10
---	---

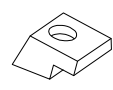
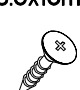


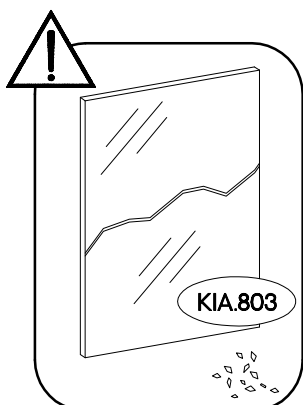
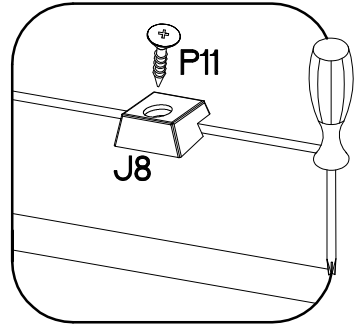
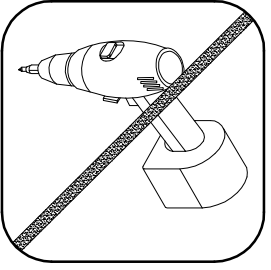
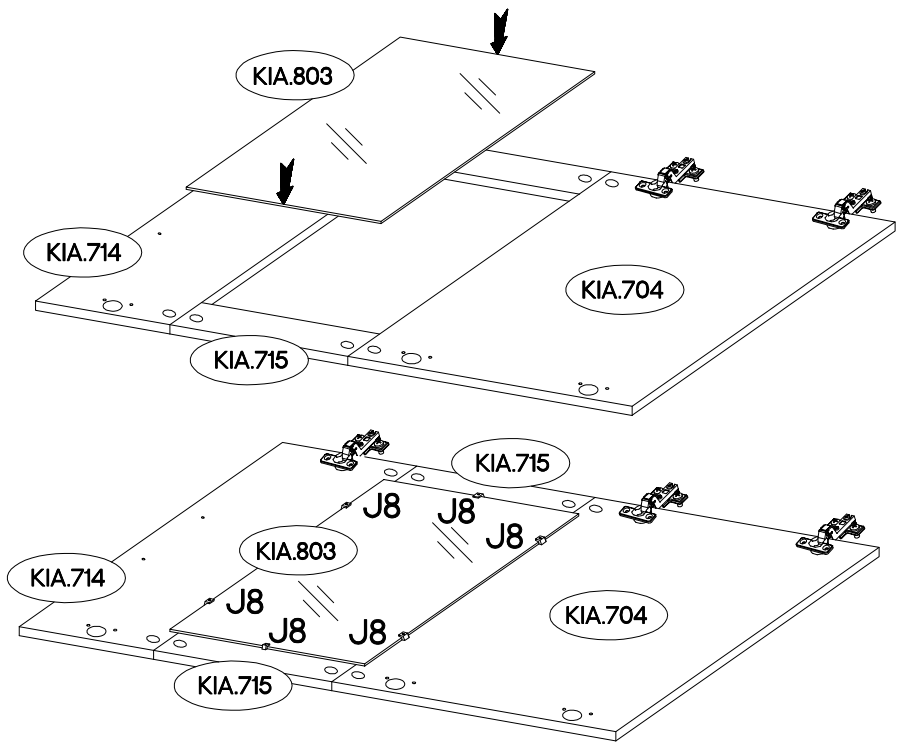
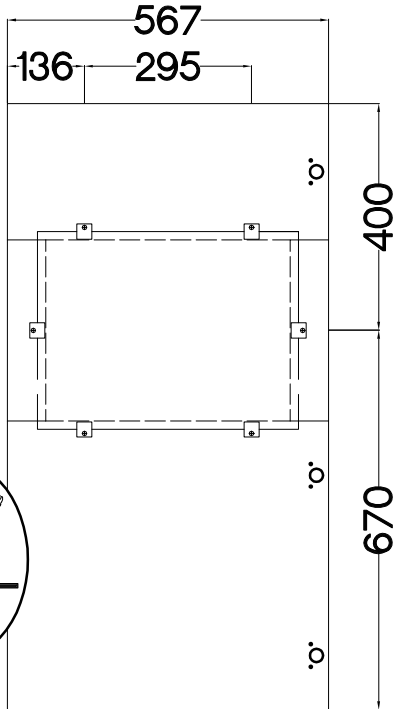
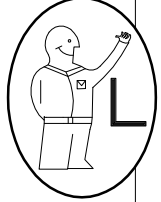
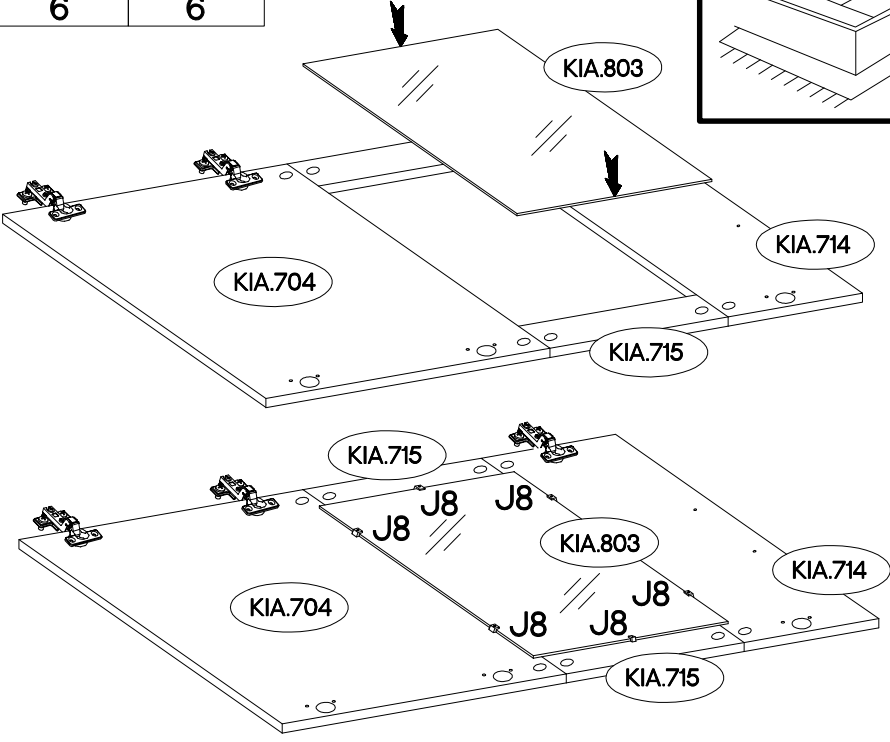
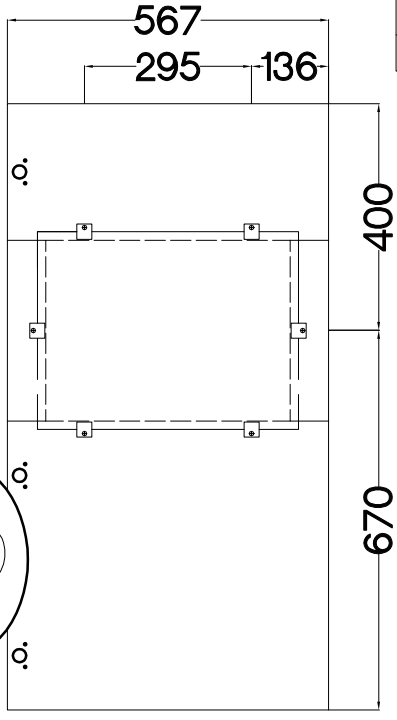
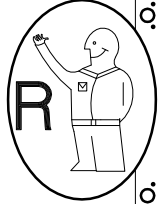
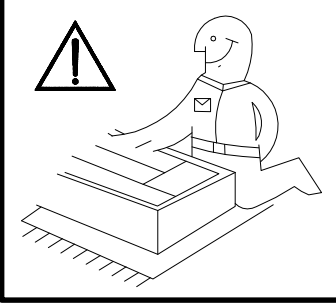
+10x50mm 		+3.5x13mm 
O7	L9	P5
1	1	1






	$\dagger 35/16\text{mm}$ 	$\dagger 3.5 \times 13\text{mm}$ 	$\dagger 35\text{mm}$ 	
E	HG2	P5	E5	art. E
12	3	6	3	8



 J8 6	 P11 6
---	--



L=128mm	M4x22mm	†3.5x25mm BLACK
		
S	U	P25
1	2	1

