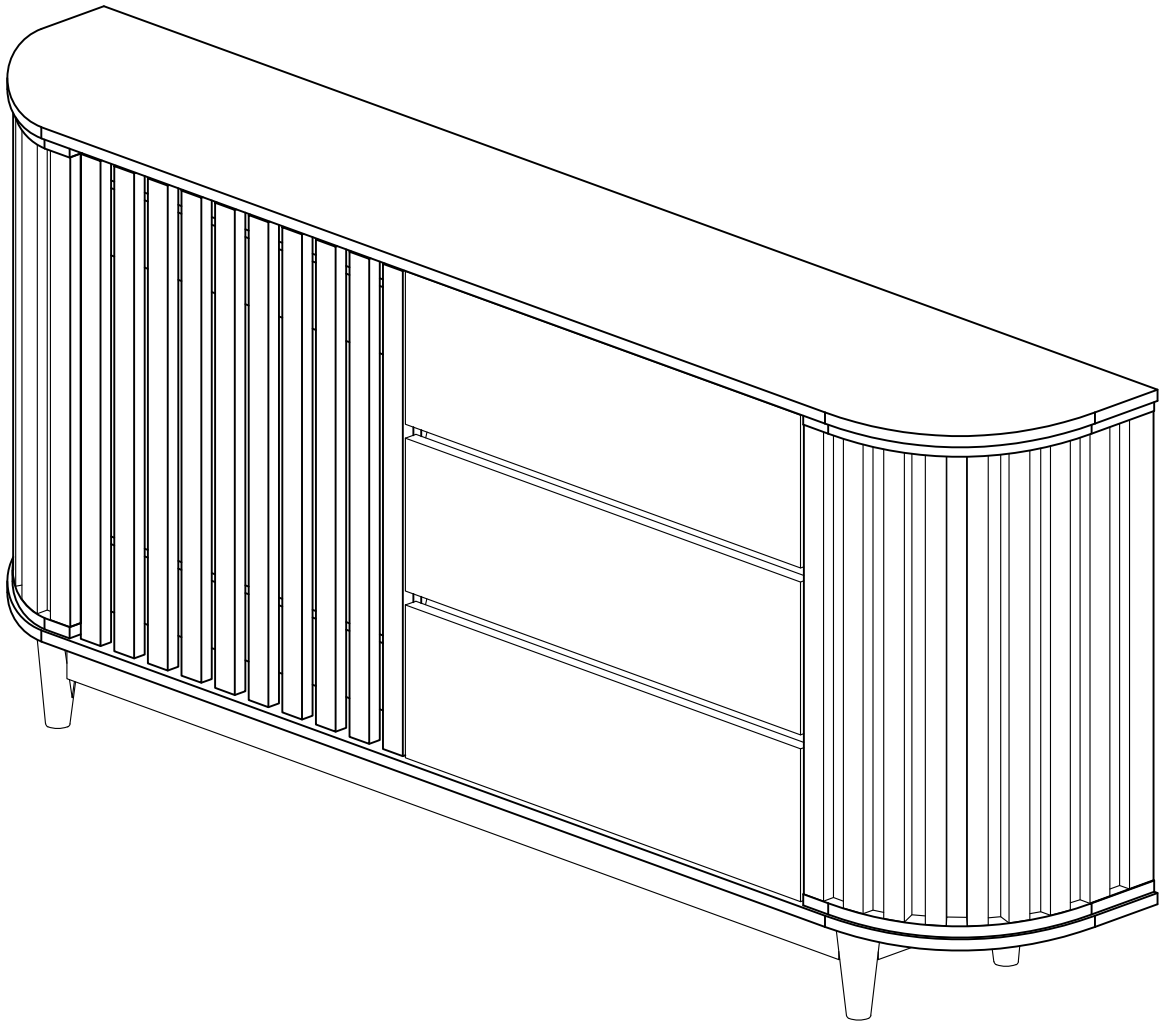


ASSEMBLY INSTRUCTION

SR 52

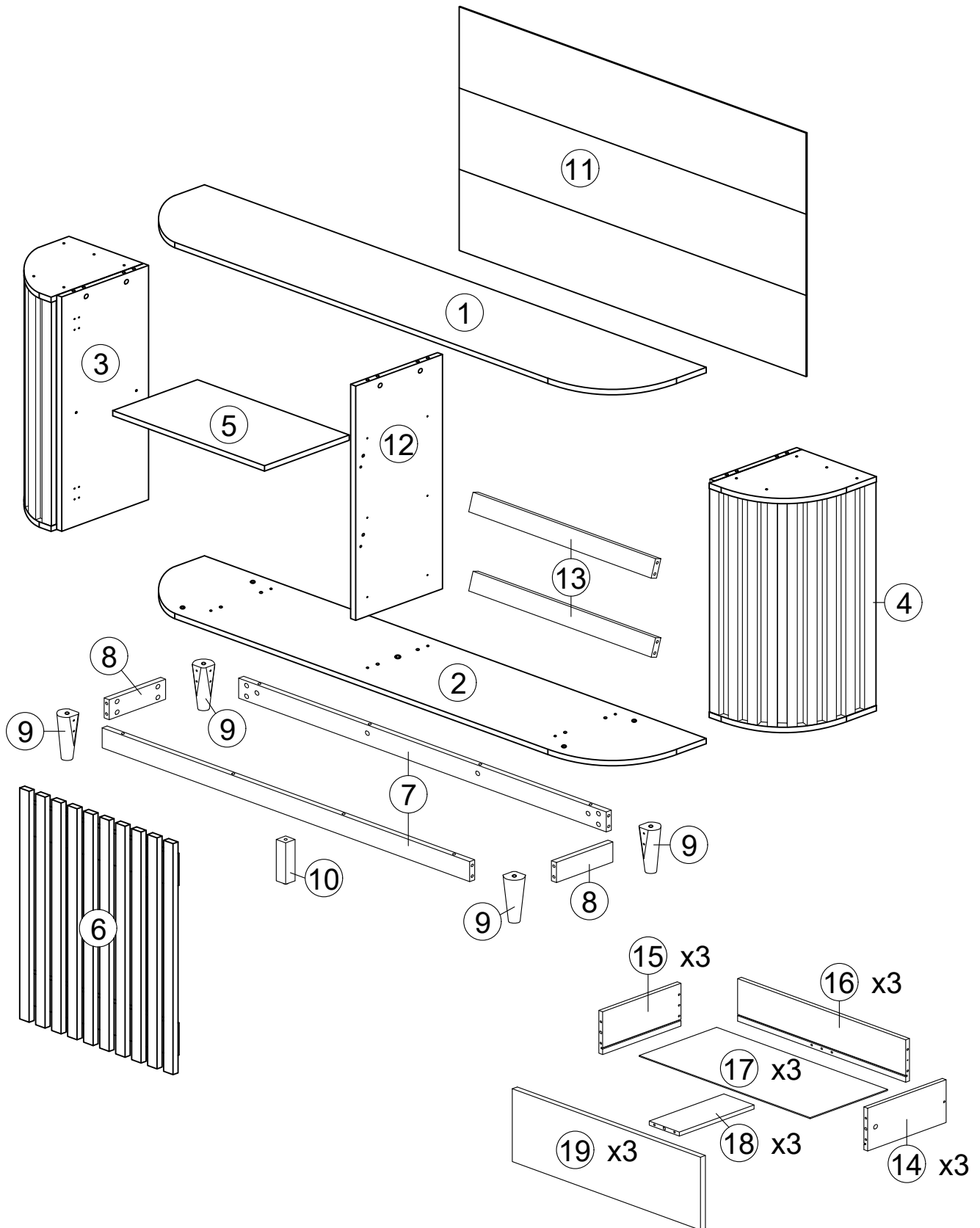
Sideboard With 1Door & 3Drawer



ASSEMBLY INSTRUCTION

SR 52

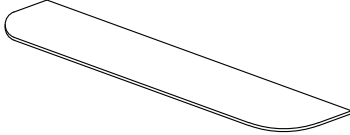
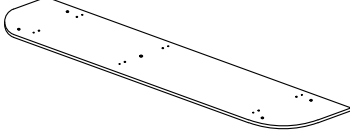
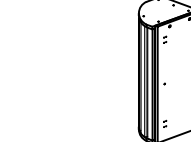
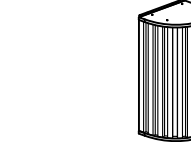
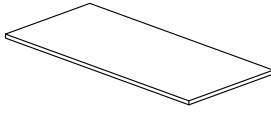
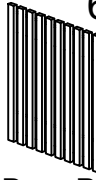
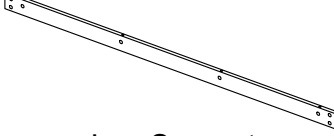
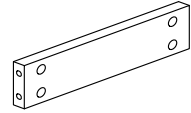
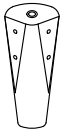

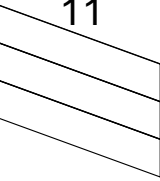

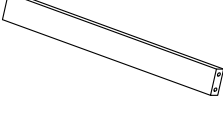

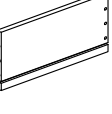
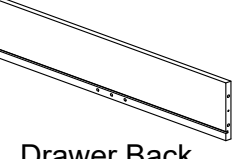
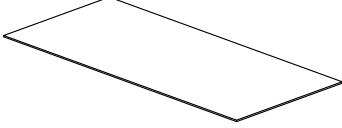
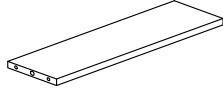
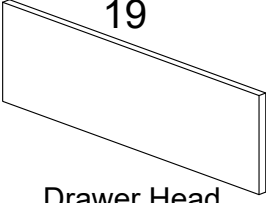
Sideboard With 1Door & 3Drawer



ASSEMBLY INSTRUCTION

SR 52

Sideboard With 1Door & 3Drawer






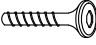
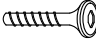
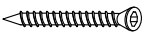








PART LIST			
<p>1</p>  <p>Top Panel 1 PC</p>	<p>2</p>  <p>Bottom Panel 1 PC</p>	<p>3</p>  <p>Side Panel L 1 PC</p>	<p>4</p>  <p>Side Panel R 1 PC</p>
<p>5</p>  <p>Shelf Panel 1 PC</p>	<p>6</p>  <p>Door Panel L/R 2 PCS</p>	<p>7</p>  <p>Leg Support 2 PCS</p>	<p>8</p>  <p>Leg Support Side 2 PCS</p>
<p>9</p>  <p>Side Wooden Leg 4 PCS</p>	<p>10</p>  <p>Center Wooden Leg 1 PC</p>	<p>11</p>  <p>Back Panel 3 PCS</p>	<p>12</p>  <p>Center Panel 1 PC</p>
<p>13</p>  <p>Middle Support 2 PCS</p>	<p>14</p>  <p>Drawer Side R 3 PCS</p>	<p>15</p>  <p>Drawer Side L 3 PCS</p>	<p>16</p>  <p>Drawer Back 3 PCS</p>
<p>17</p>  <p>Drawer Panel 3 PCS</p>	<p>18</p>  <p>Drawer Support 3 PCS</p>	<p>19</p>  <p>Drawer Head 3 PCS</p>	

ASSEMBLY INSTRUCTION

SR 52

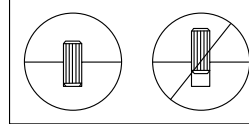
Sideboard With 1Door & 3Drawer

HARDWARE LIST

<p style="text-align: center;">A</p>  <p style="text-align: center;">Camlock 15MM 43 PCS</p>	<p style="text-align: center;">B</p>  <p style="text-align: center;">Camlock Bolt 15MM 43 PCS</p>	<p style="text-align: center;">C</p>  <p style="text-align: center;">M8x25MM Wood Dowel 16 PCS</p>	<p style="text-align: center;">D</p>  <p style="text-align: center;">M4x25MM Screw 20 PCS</p>
<p style="text-align: center;">E</p>  <p style="text-align: center;">CB Screw M3.5x16MM 48 PCS</p>	<p style="text-align: center;">F</p>  <p style="text-align: center;">M6x30MM JCBC Screw 4 PCS</p>	<p style="text-align: center;">G</p>  <p style="text-align: center;">M8x40MM JCBB Screw 1 PC</p>	<p style="text-align: center;">H</p>  <p style="text-align: center;">Csk M6x50MM 6 PCS</p>
<p style="text-align: center;">I</p>  <p style="text-align: center;">M4 Allen Key 1 PC</p>	<p style="text-align: center;">J</p>  <p style="text-align: center;">M5 Allen Key 1 PC</p>	<p style="text-align: center;">K</p>  <p style="text-align: center;">Nail 5/8 35 PCS</p>	<p style="text-align: center;">L</p>  <p style="text-align: center;">Shelf Support 4 PCS</p>
<p style="text-align: center;">M</p>  <p style="text-align: center;">M4x38MM Screw 9 PCS</p>	<p style="text-align: center;">N</p>  <p style="text-align: center;">165 Conceal Hinges 7/8 2 PCS</p>	<p style="text-align: center;">O</p>  <p style="text-align: center;">M6x30MM Wood Dowel 36 PCS</p>	<p style="text-align: center;">P</p>  <p style="text-align: center;">Drawer Slide 10" 3 Sets</p>

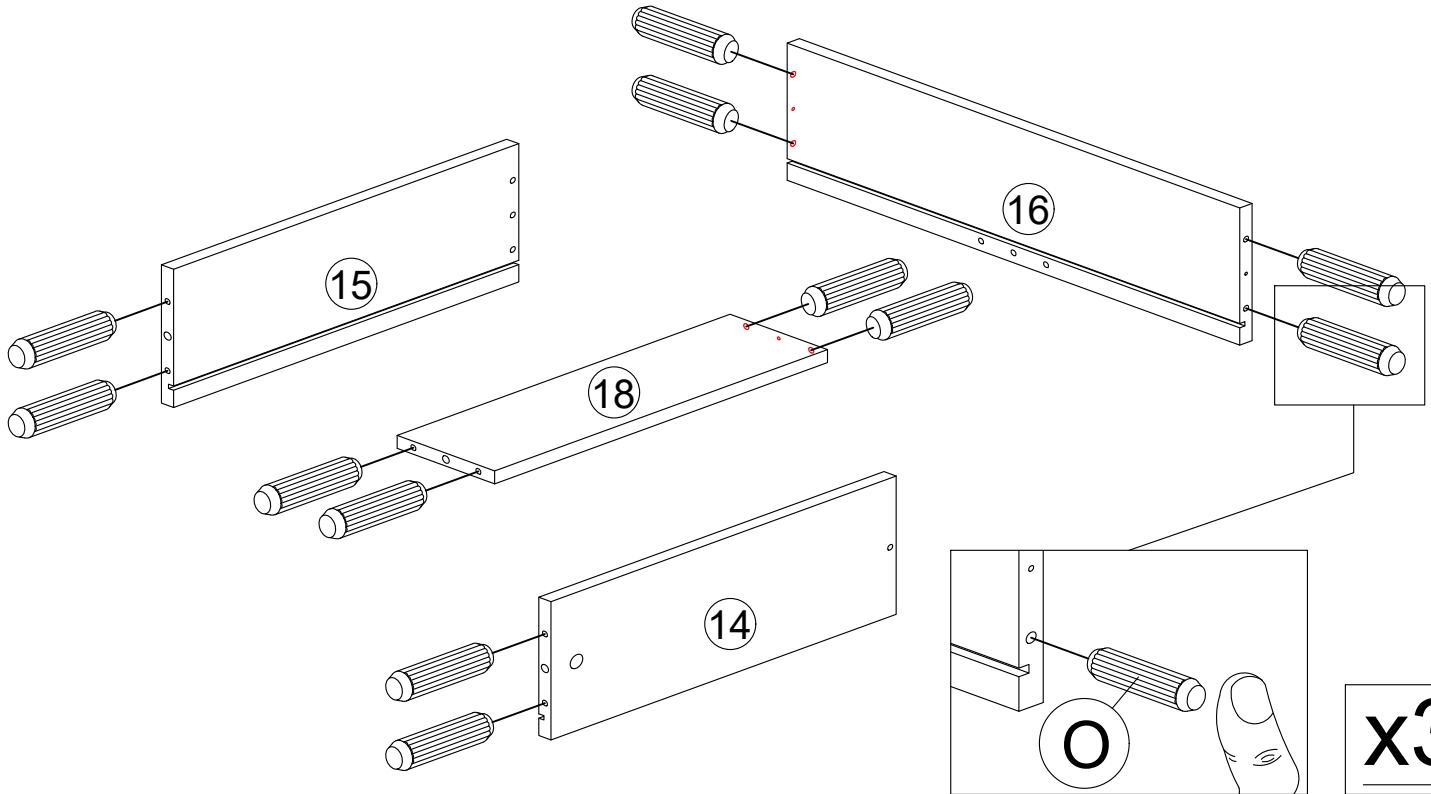
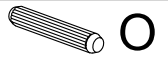
ASSEMBLY INSTRUCTION

Step 1



Required/Requis/Requerido

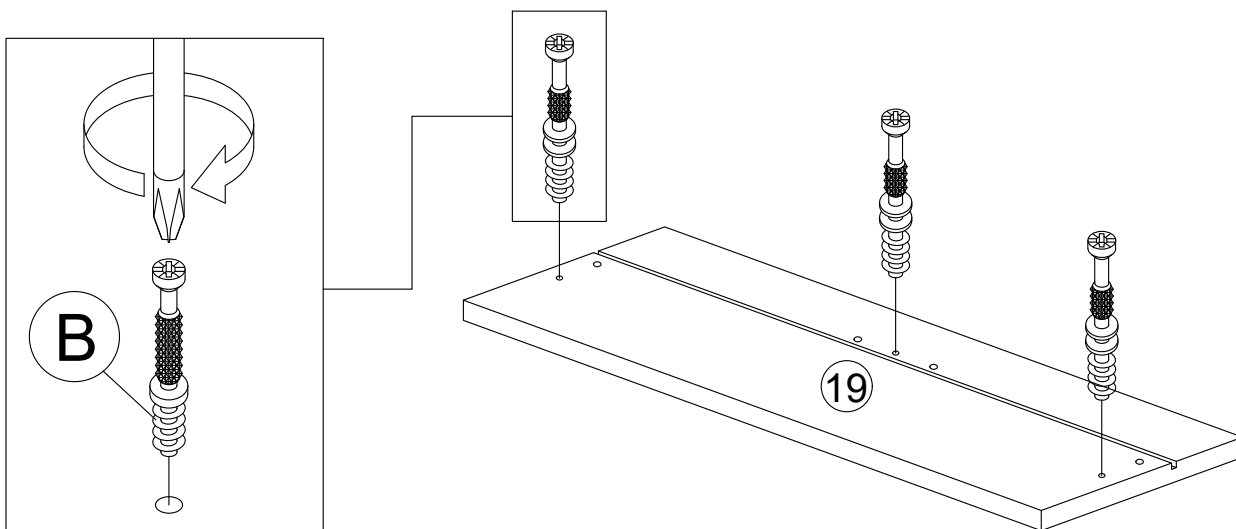
x36



Step 2

Required/Requis/Requerido

x9

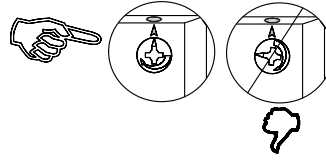


Back View

x3

ASSEMBLY INSTRUCTION

Step 3

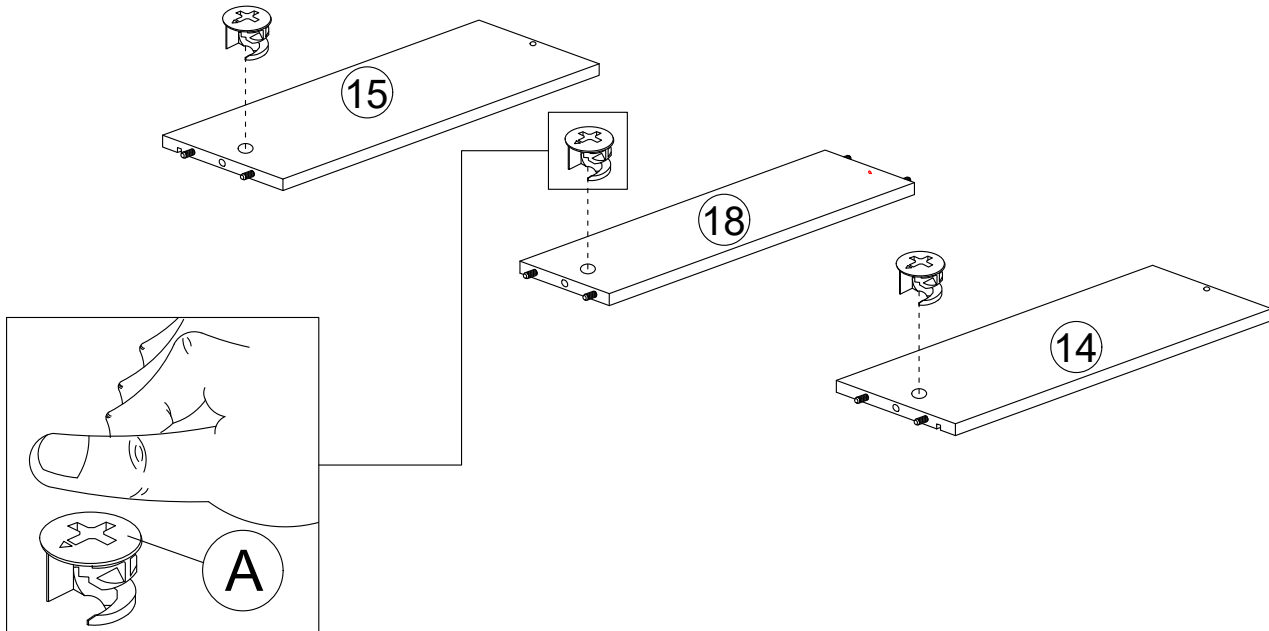


Required/Requis/Requerido

x9



A



x3

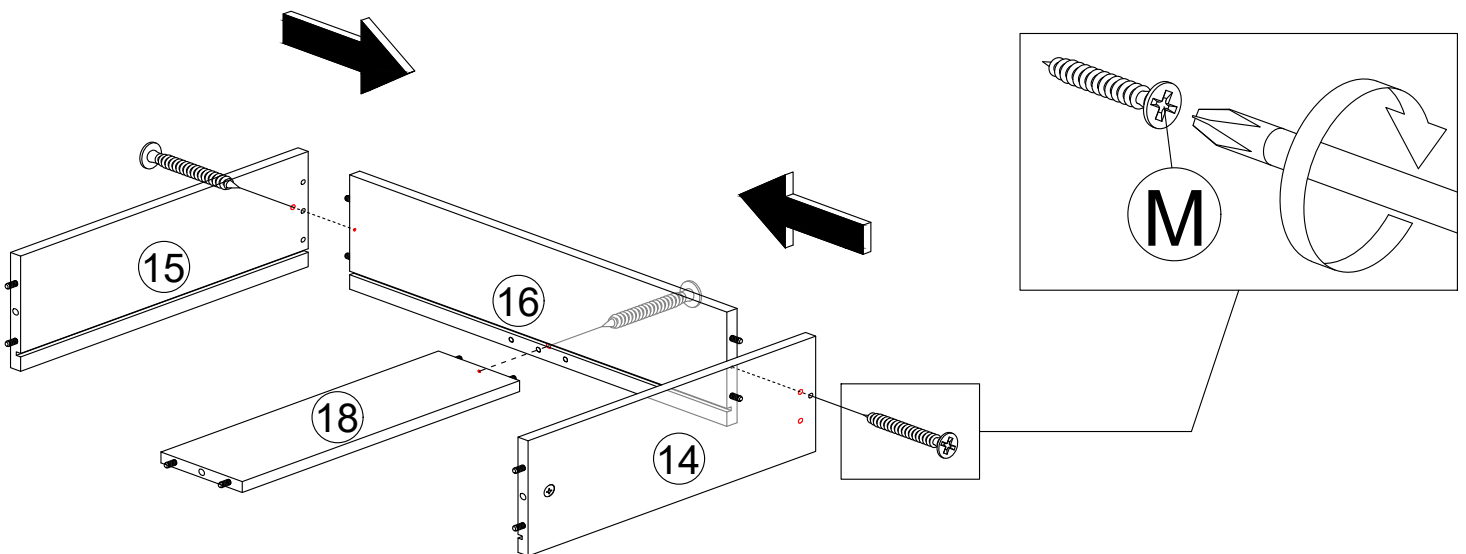
Step 4

Required/Requis/Requerido

x9



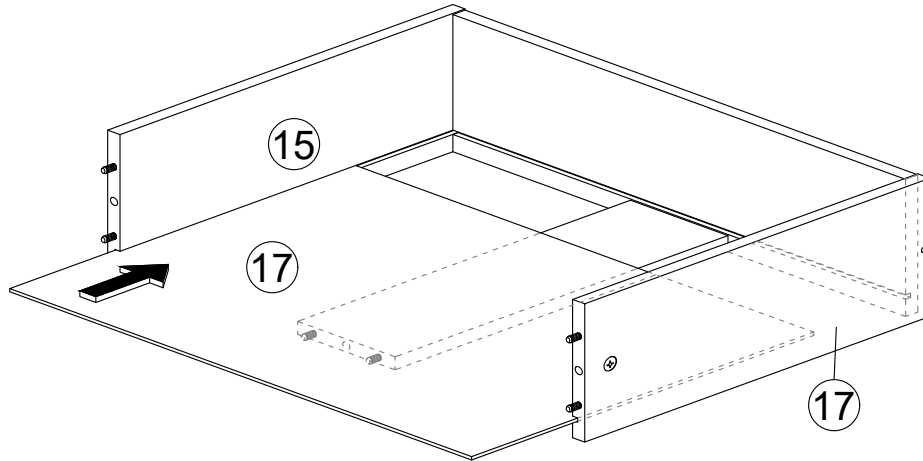
M



x3

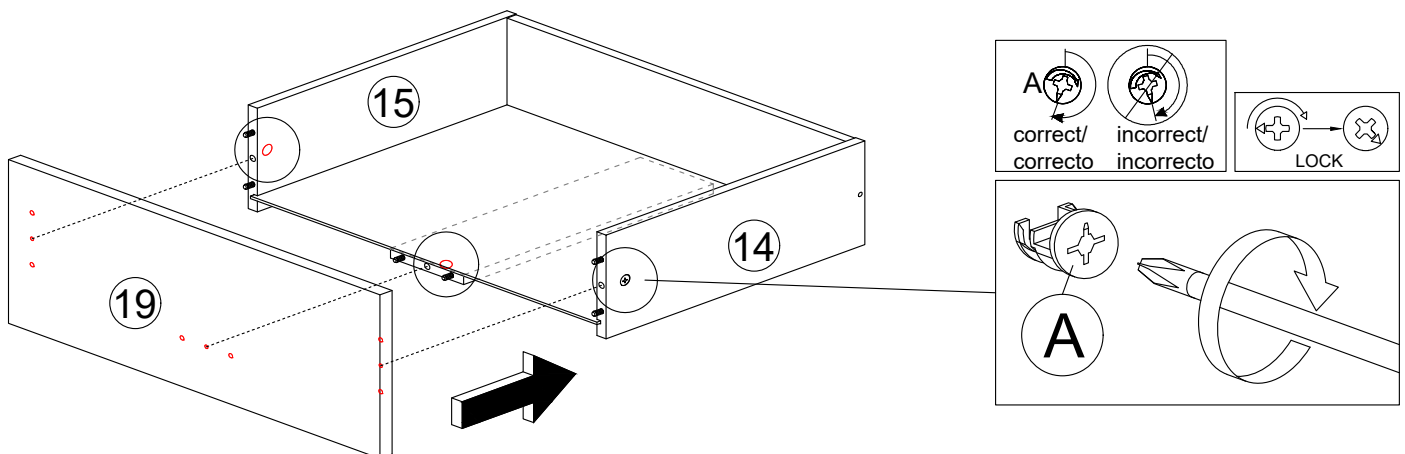
ASSEMBLY INSTRUCTION

Step 5



x3

Step 6



x3

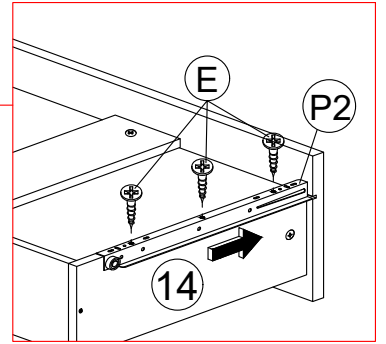
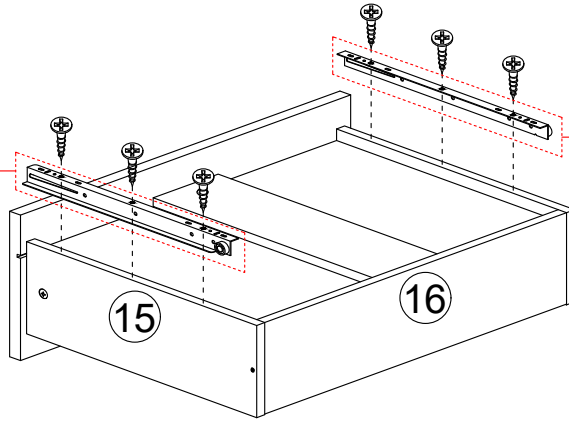
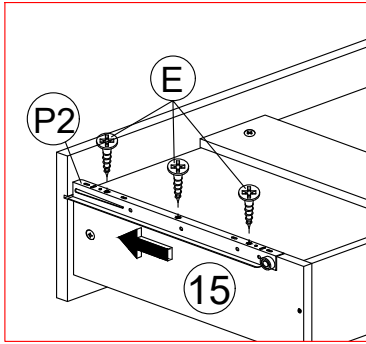
ASSEMBLY INSTRUCTION

Step 7

Required/Requis/Requerido

x18  E

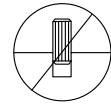
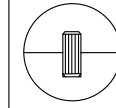
x6  P2



Bottom View

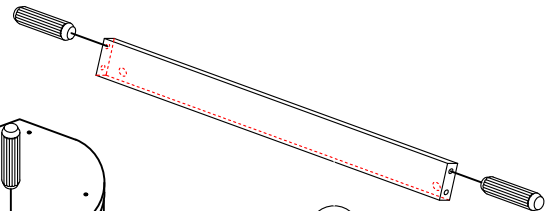
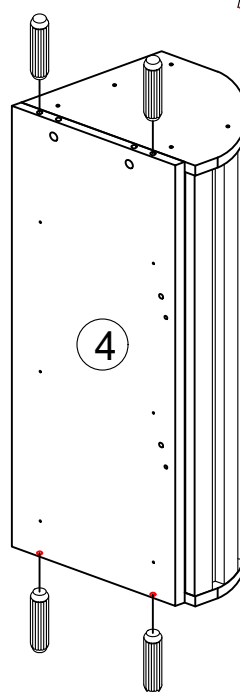
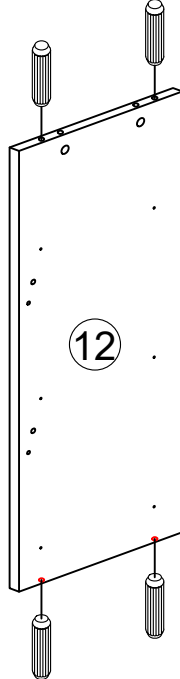
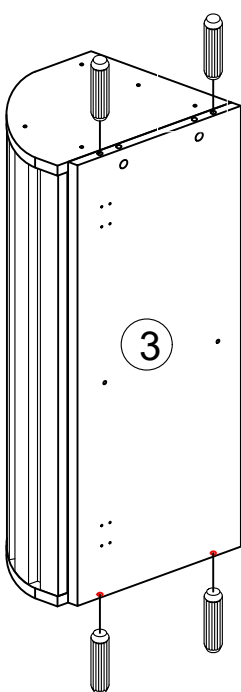
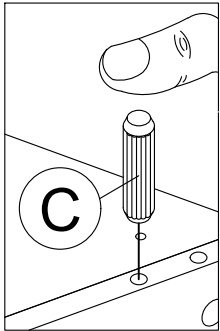
x3

Step 8



Required/Requis/Requerido

x16  C



(13) x2

ASSEMBLY INSTRUCTION

Step 9

Required/Requis/Requerido

x34

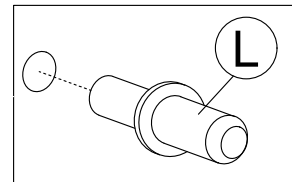
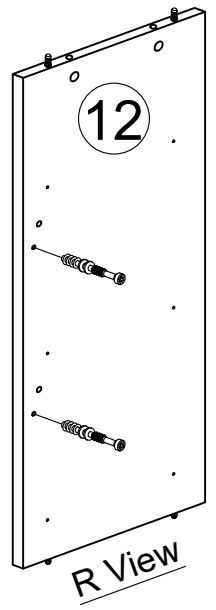
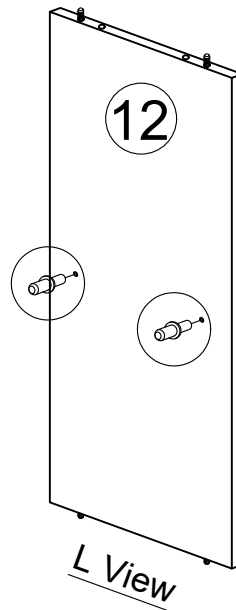
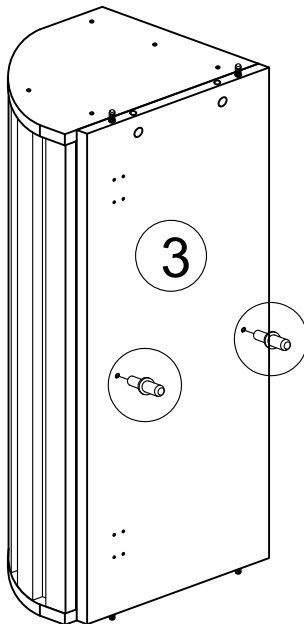
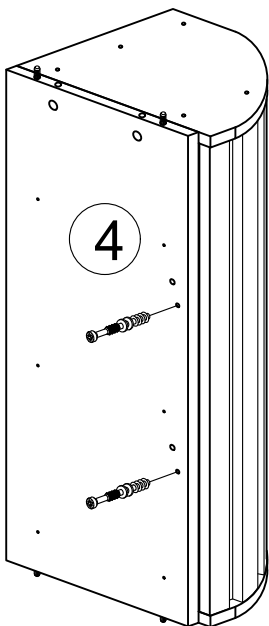
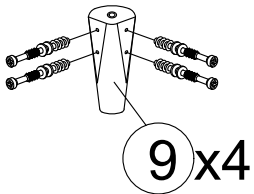
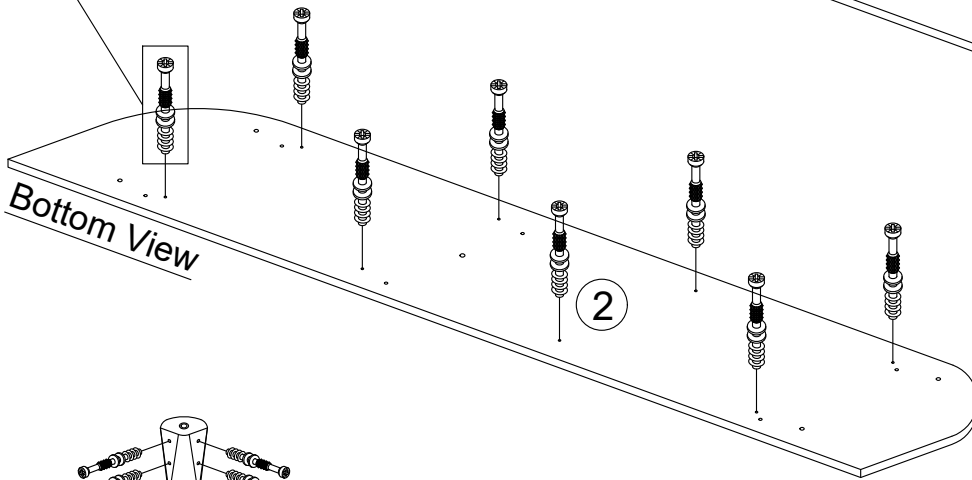
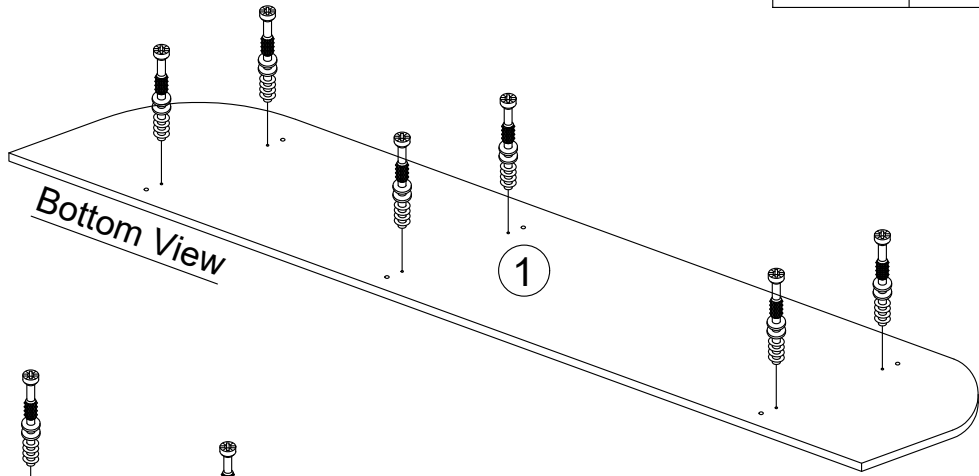
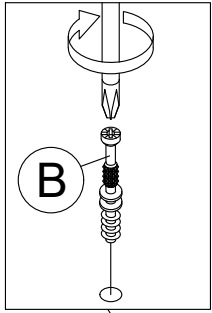


B

x4

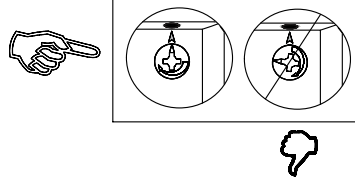
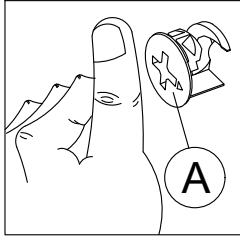


L



ASSEMBLY INSTRUCTION

Step 10

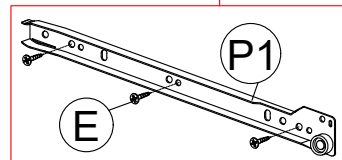
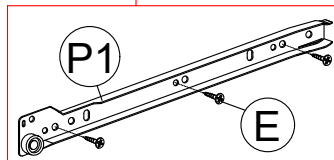
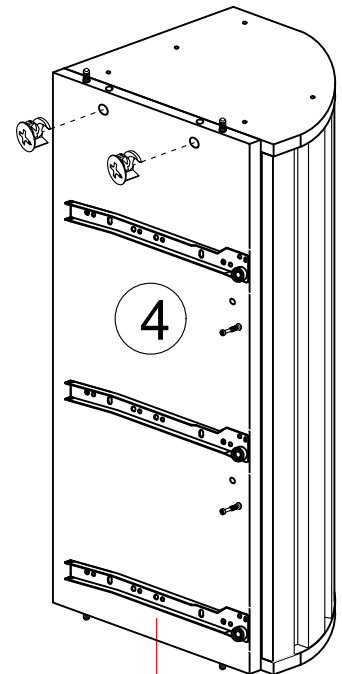
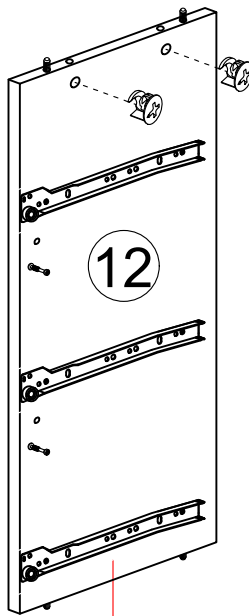
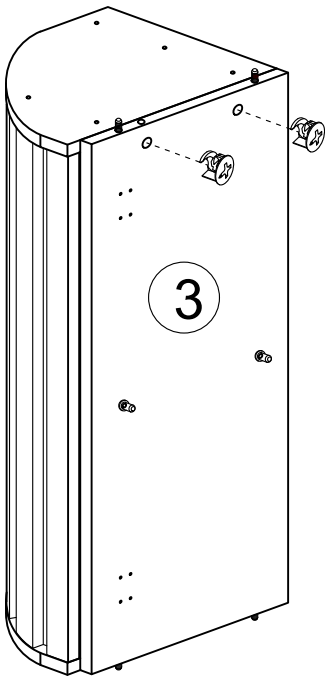
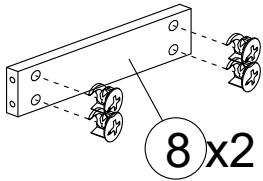
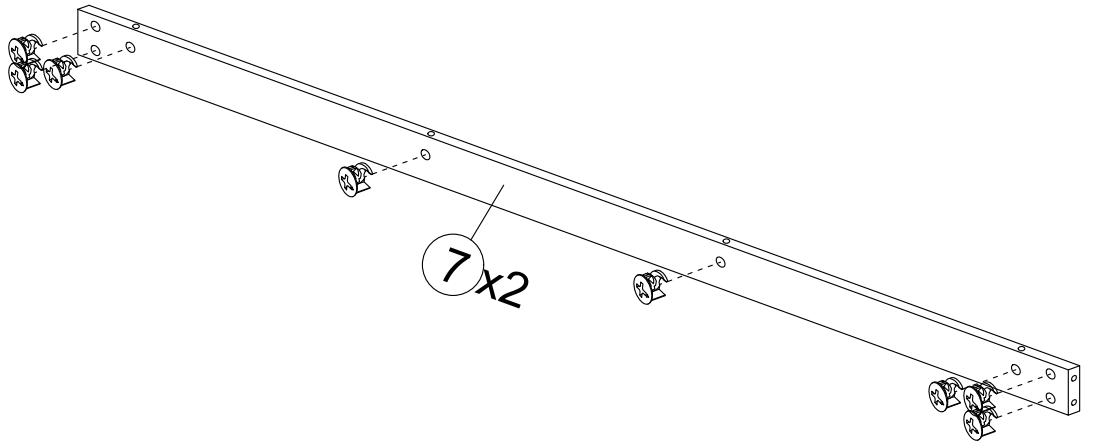
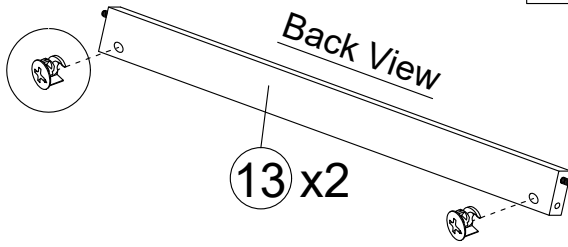


Required/Requis/Requerido

x34  A

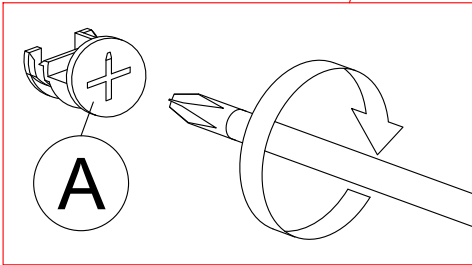
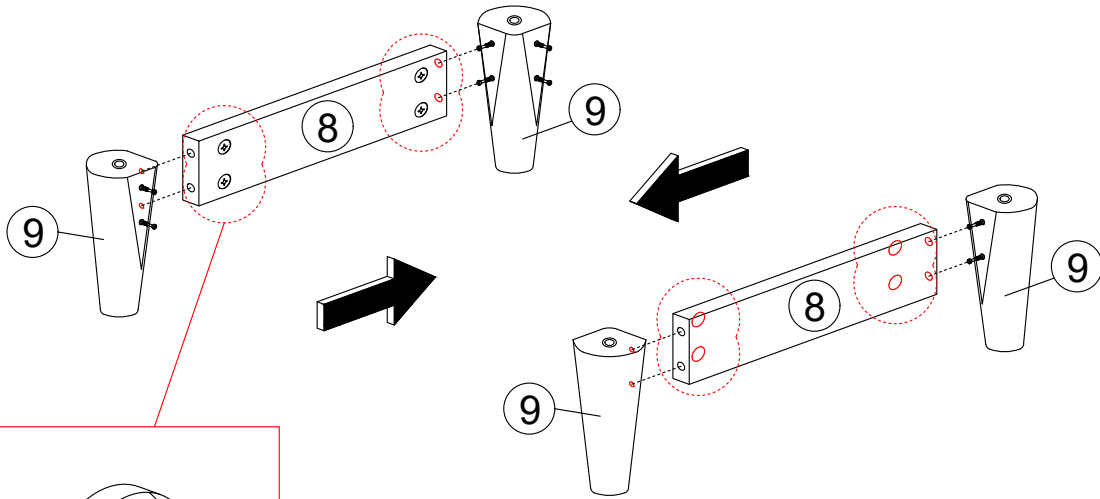
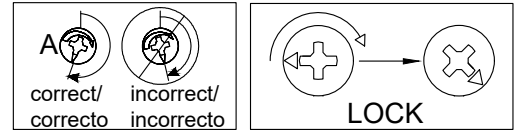
x18  E

x6  P1

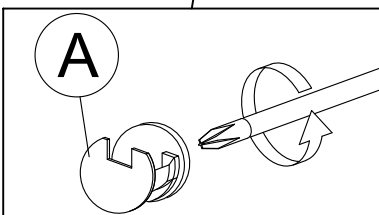
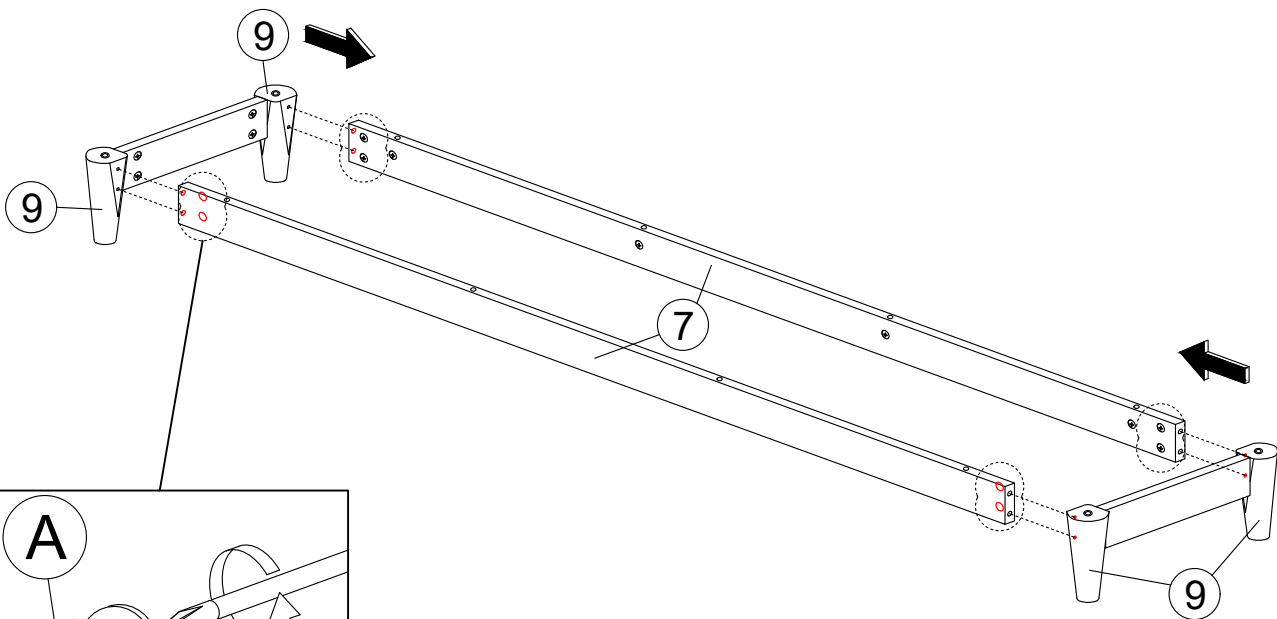
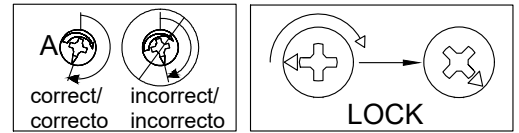


ASSEMBLY INSTRUCTION

Step 11





Step 12

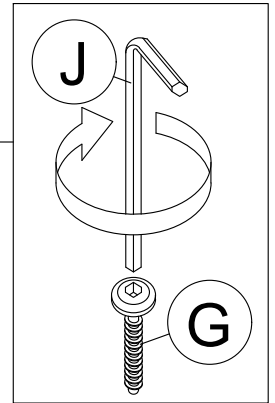
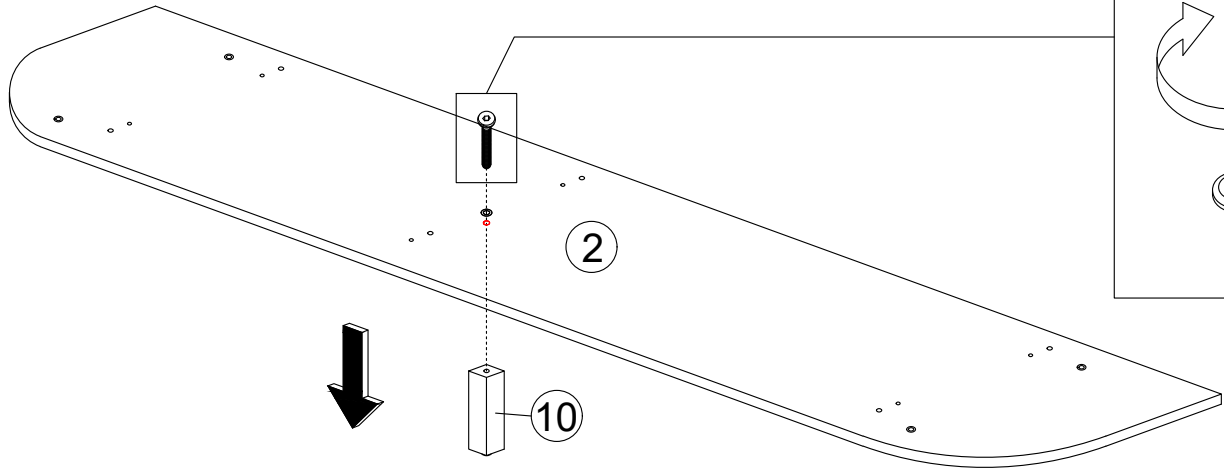


ASSEMBLY INSTRUCTION

Step 13



Required/Requis/Requerido

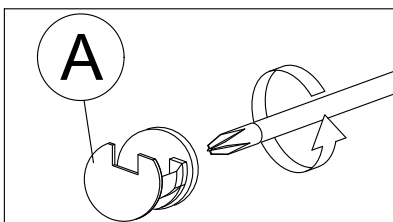
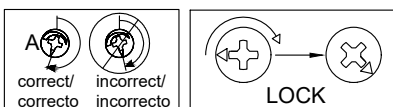
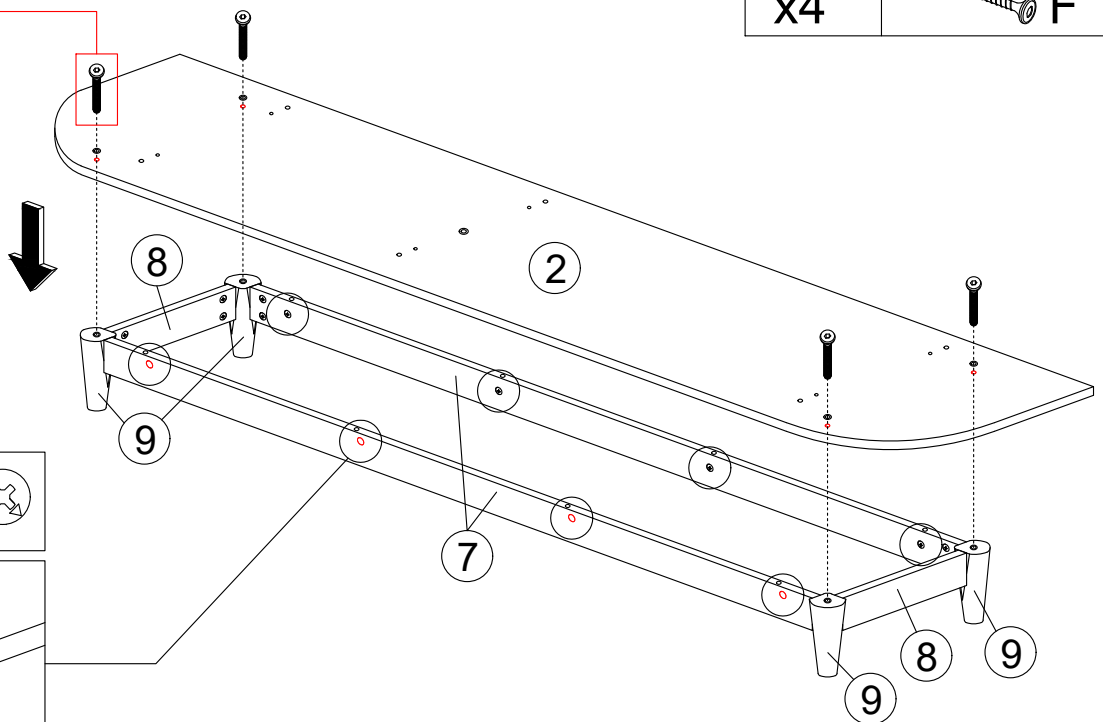
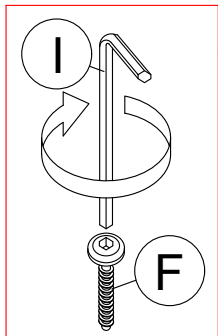
x1	 J
x1	 G



Step 14

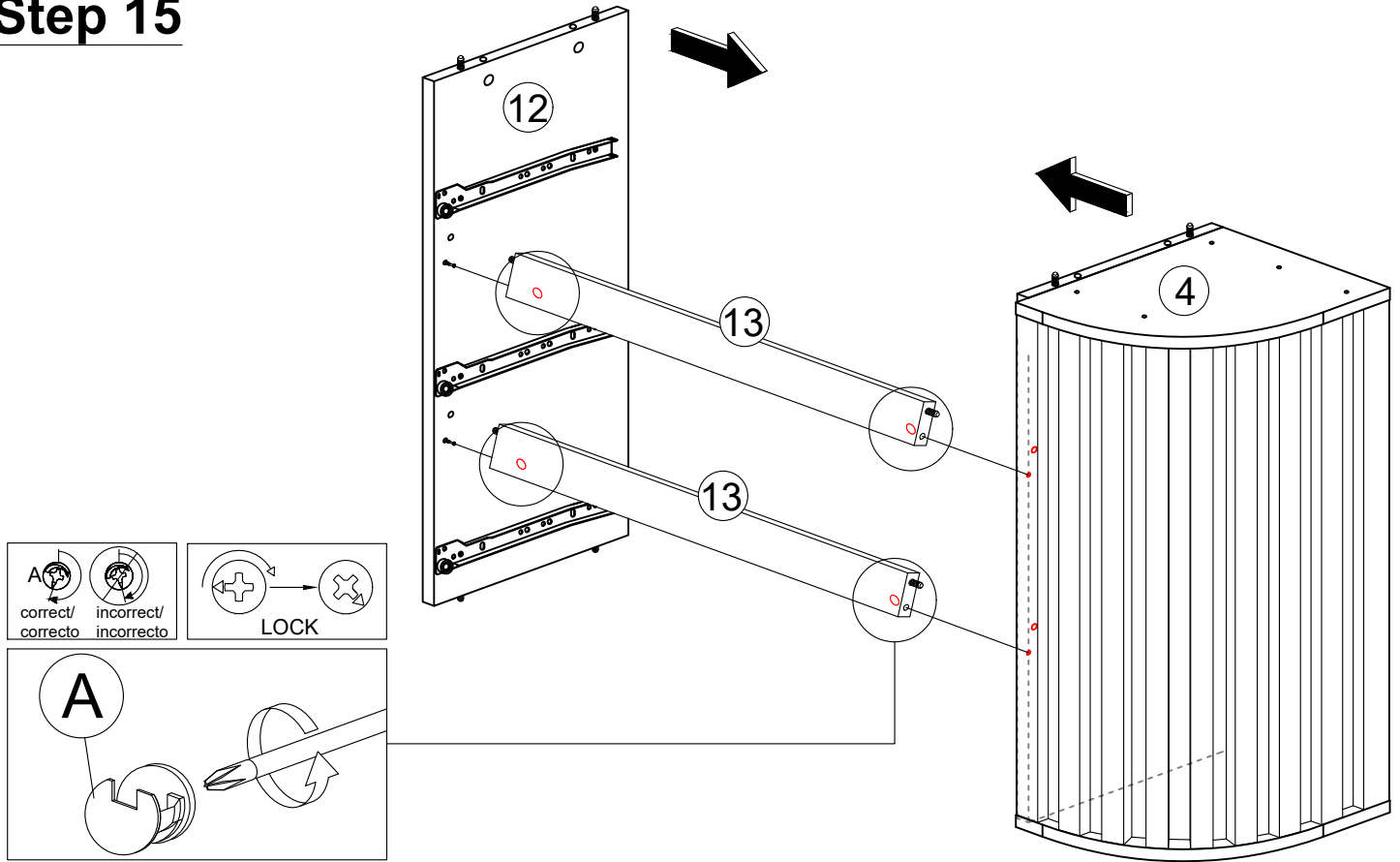
Required/Requis/Requerido

x1	 I
x4	 F

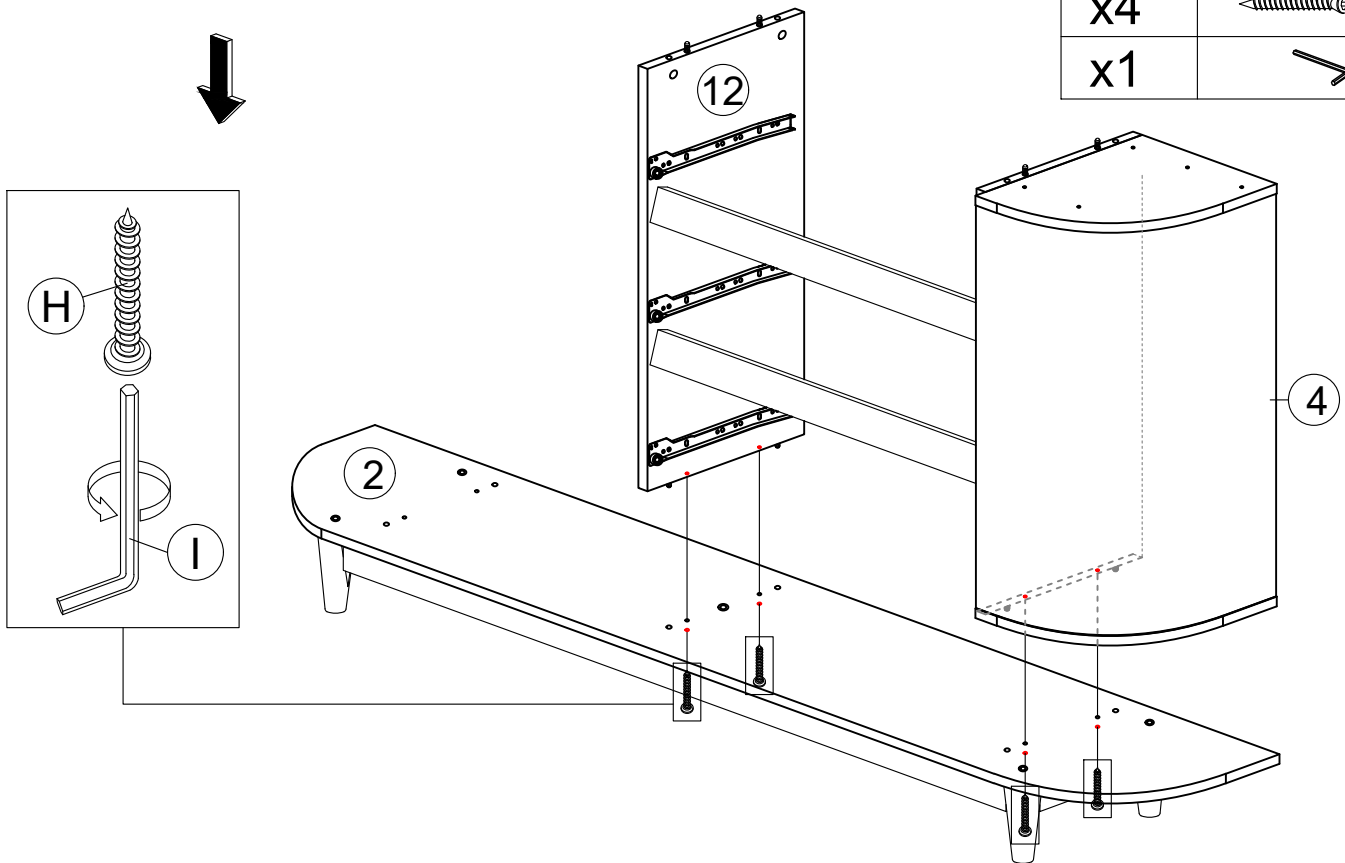


ASSEMBLY INSTRUCTION

Step 15



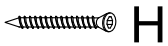
Step 16



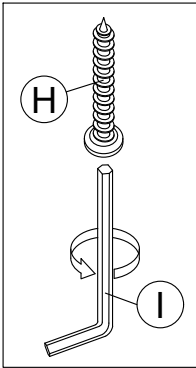
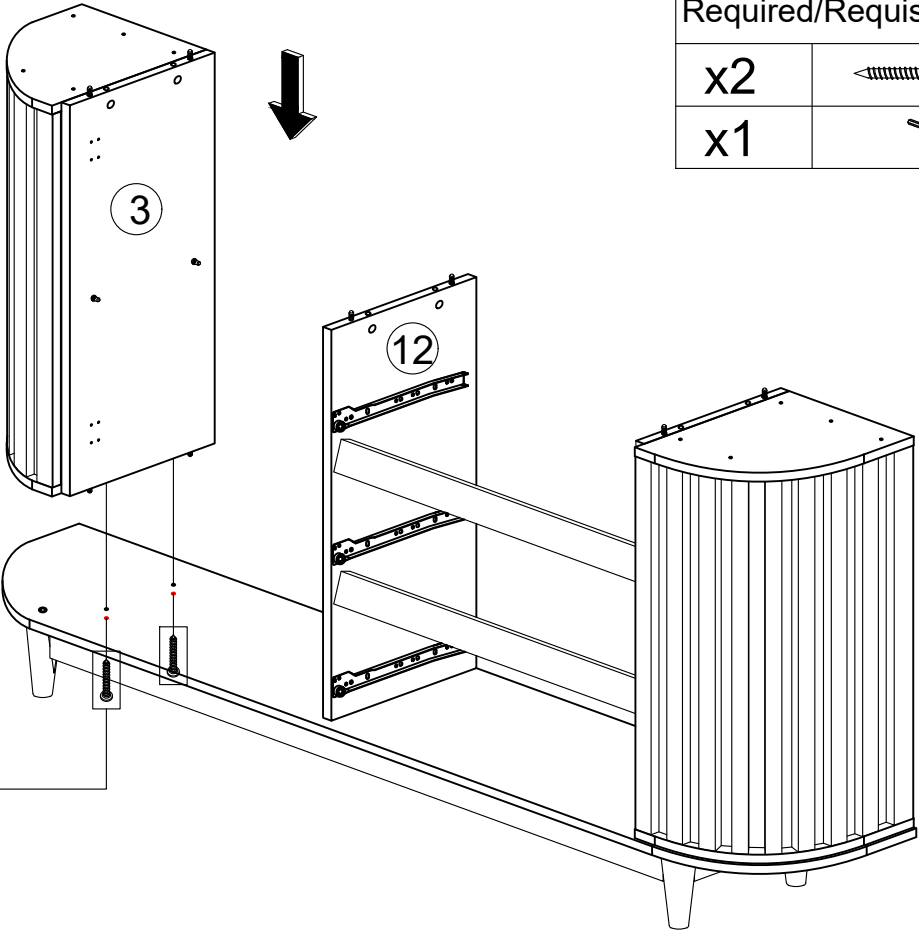
ASSEMBLY INSTRUCTION

Step 17

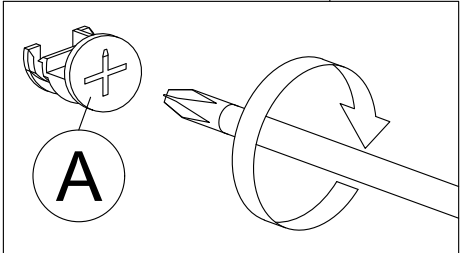
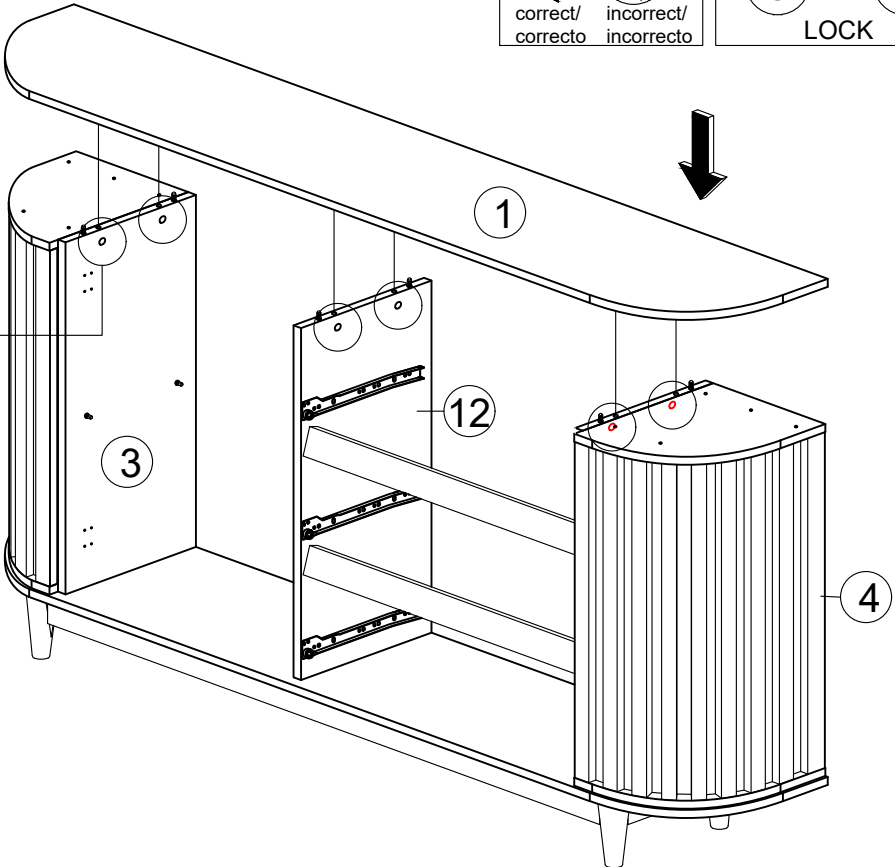
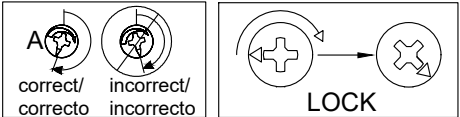
Required/Requis/Requerido

x2  H

x1  I



Step 18

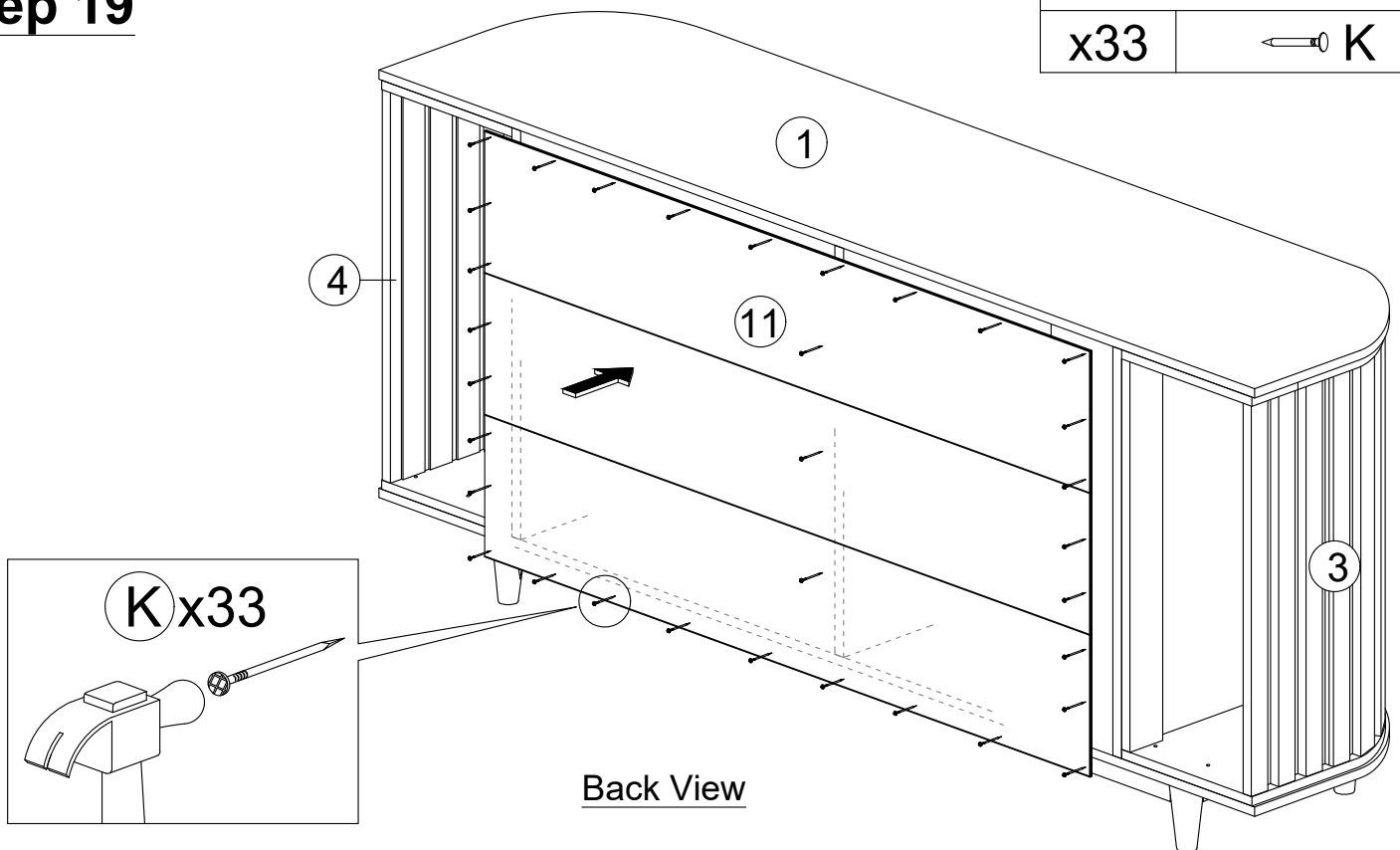
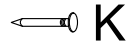


ASSEMBLY INSTRUCTION

Step 19

Required/Requis/Requerido

x33

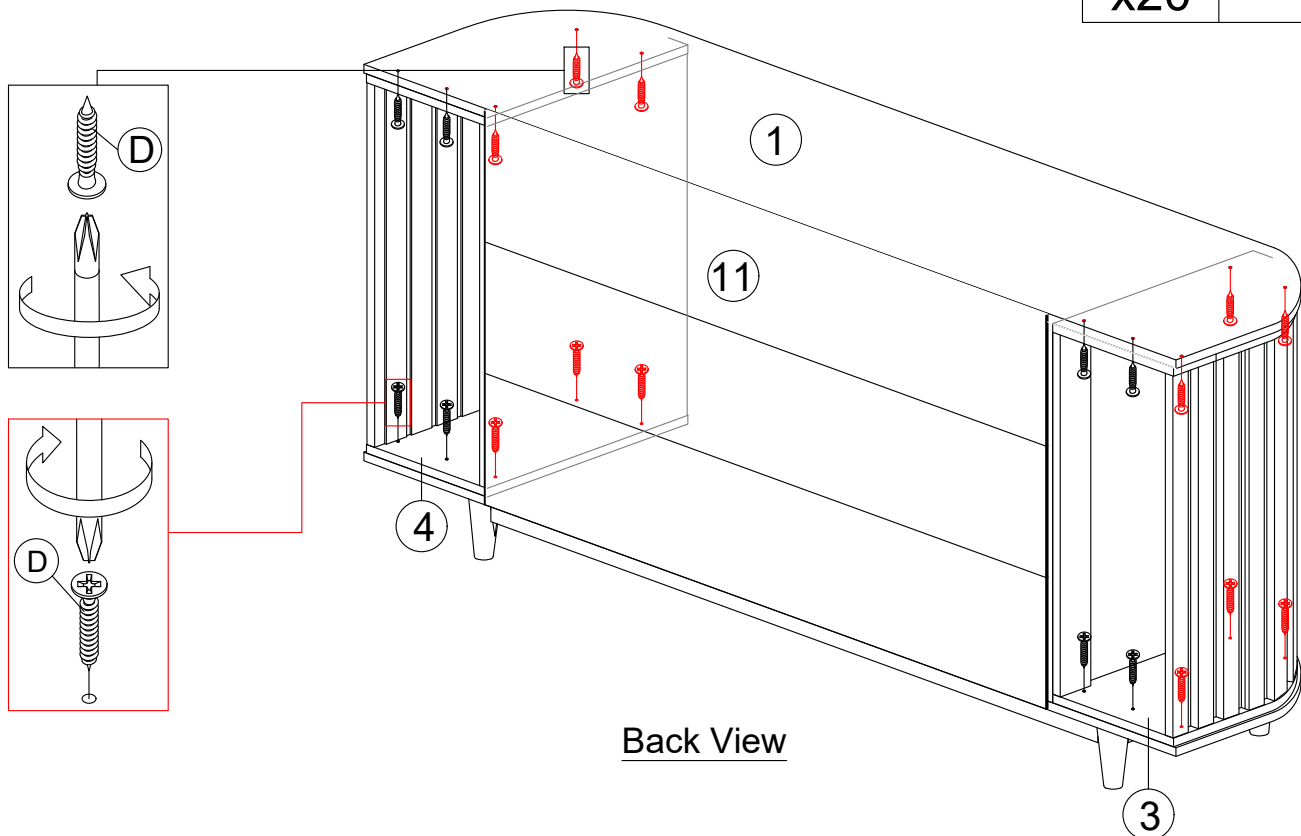


Back View

Step 20

Required/Requis/Requerido

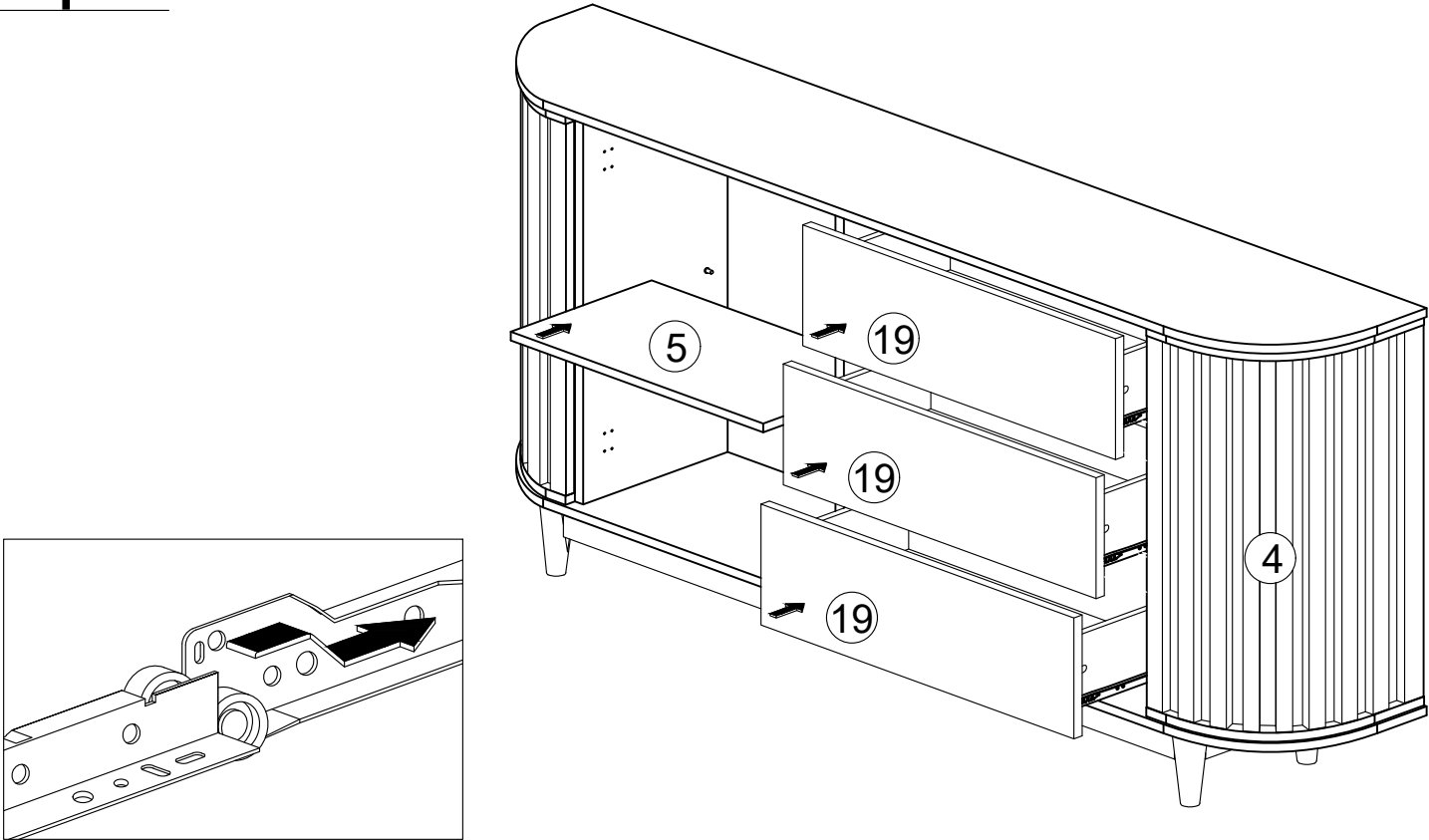
x20



Back View

ASSEMBLY INSTRUCTION

Step 21



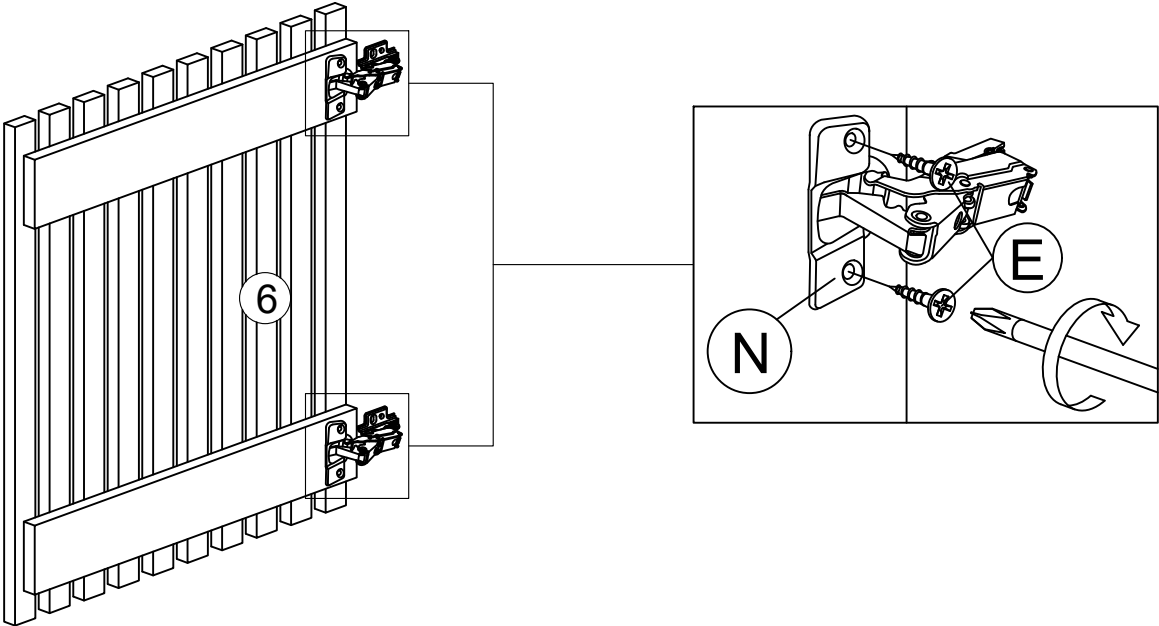
Step 22

Required/Requis/Requerido

x4



x2

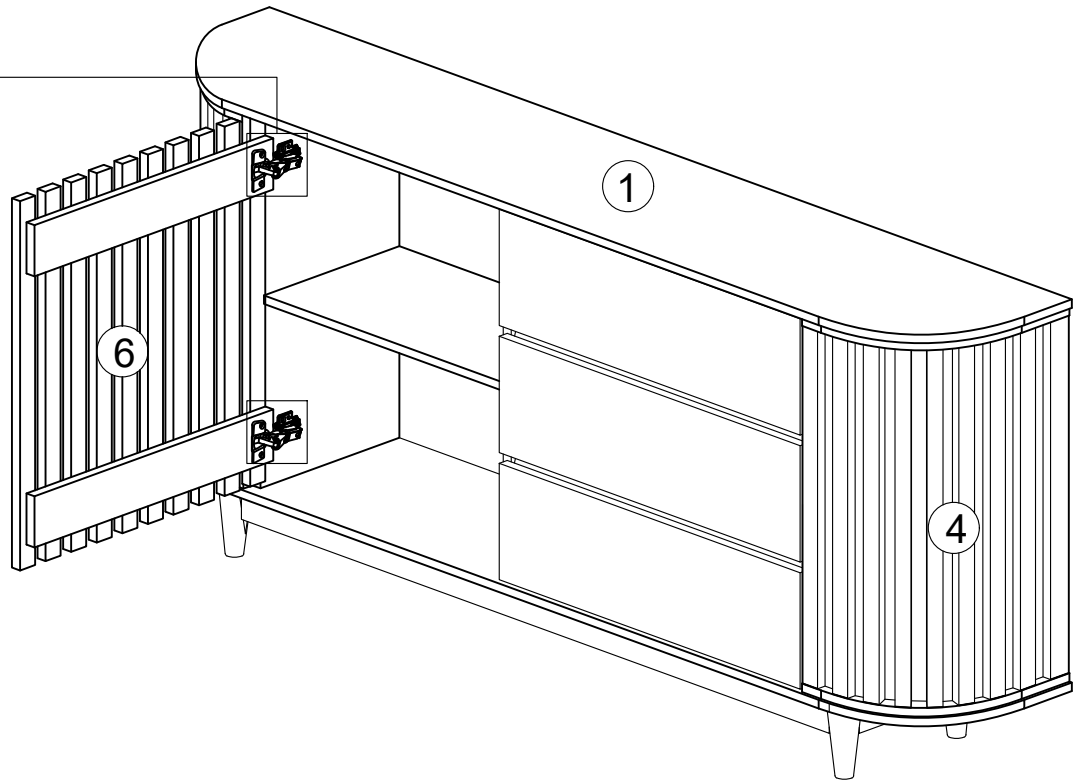
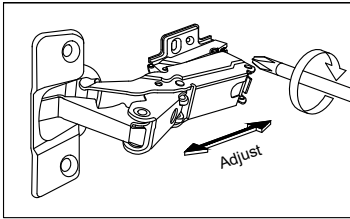
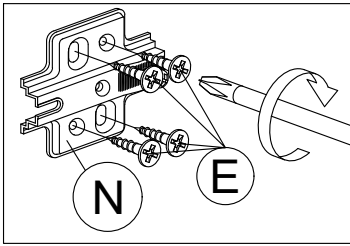


ASSEMBLY INSTRUCTION

Step 23

Required/Requis/Requerido

x8



Completed

