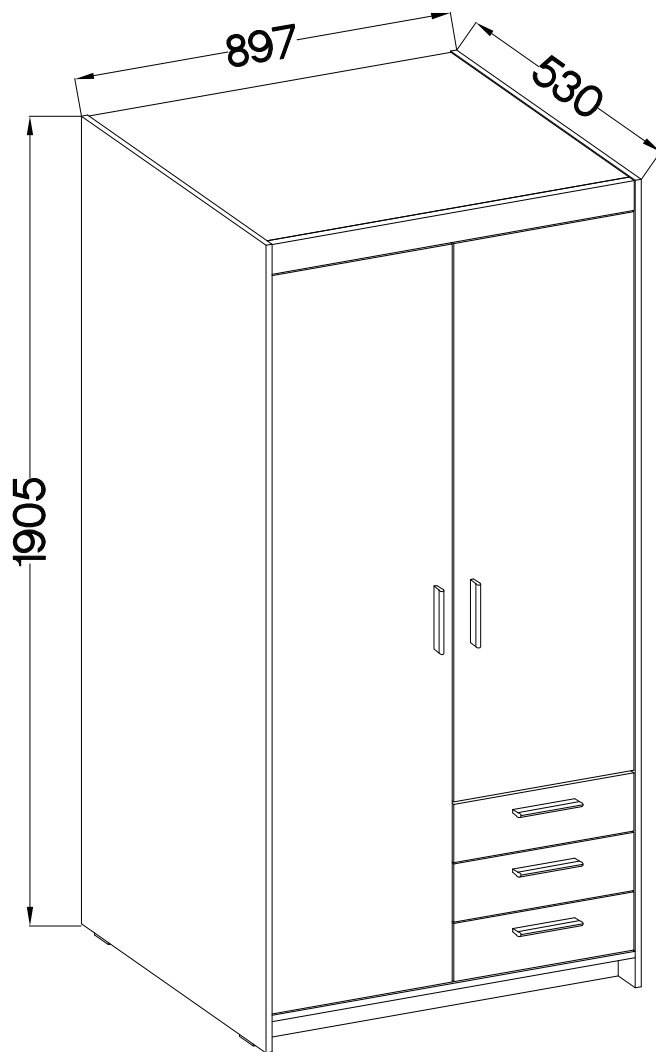
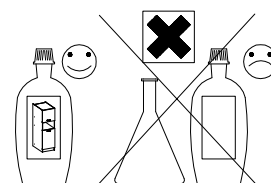


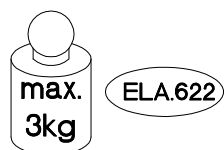
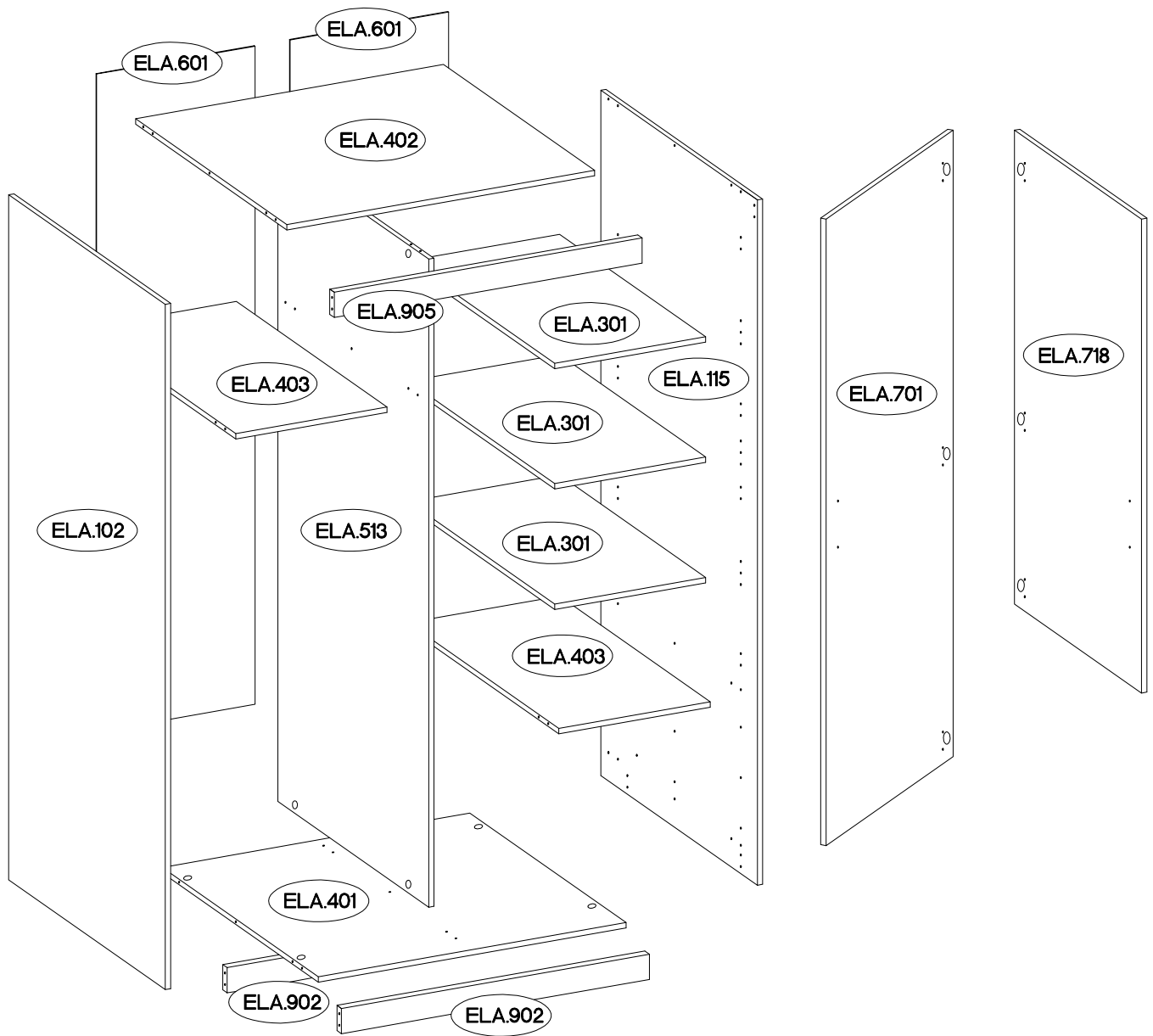
120 min

ELENA 2D 3S



 †8x30mm <b>A</b> 54	 †6x42mm <b>B2</b> 6	 †15/12mm <b>C</b> 20	 †12/10mm <b>C5</b> 6	 L=20mm <b>D2</b> 26	 6.5x48x16 <b>E</b> 20	 †15x5mm <b>F2</b> 4	 †35/16mm <b>F4</b> 2	 L=450mm <b>HG2</b> 6	 L=418mm <b>I5</b> 3	 †5/16mm <b>J2</b> 1
 †5/16mm <b>J3</b> 12	 †5/16mm <b>J17</b> 2	 †5/16mm <b>L2</b> 12	 †5/16mm <b>L19</b> 1	 †5.0x13mm <b>M</b> 18	 †10x50mm <b>O7</b> 1	 †3.5x13mm <b>P5</b> 34	 †3.0x20mm <b>P7</b> 45-50	 †5.0x60mm <b>P12</b> 1	 †4.0x30mm <b>R2</b> 10	 L=128mm <b>S</b> 5


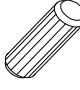
P-ISM-ELA-23

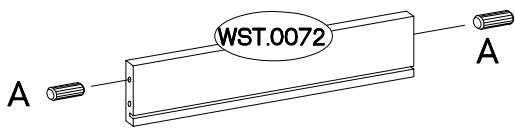
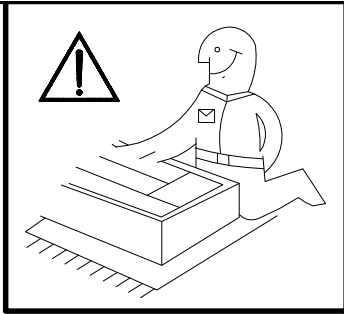
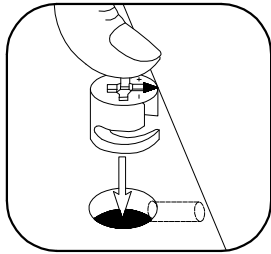


Colli	Ersatzteil Nummer	Dimension
Colli 1/2	ELA.102	1900x530x15
	ELA.301 x3	425x495x15
	ELA.401	867x529x15
	ELA.402	867x512x15
	ELA.403 x2	426x510x15
	ELA.901	867x70x15
	ELA.902 x2	867x70x15

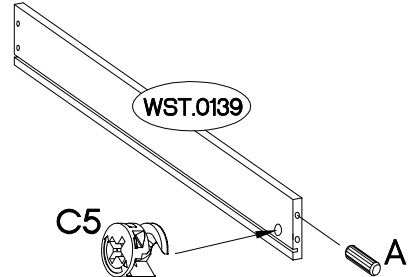
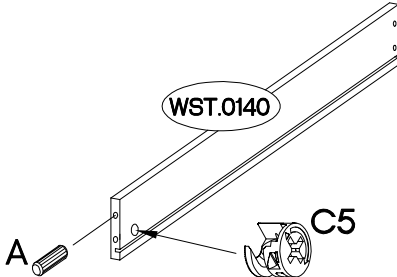
Colli	Ersatzteil Nummer	Dimension
Colli 2/2	ELA.115	1900x530x15
	ELA.513	1797x511x15
	ELA.601 x2	1825x446x2,5
	ELA.622 x3	387x448x2,5
	ELA.701	1737x430x15
	ELA.728 x3	430x137x15
	ELA.718	1314x430x15
	WST.0139 x3	450x80x12
	WST.0140 x3	450x80x12
WST.0072 x3	377x80x12	

1


#12/10mm  <b>C5</b> 6	#8x30mm  <b>A</b> 12
--	---

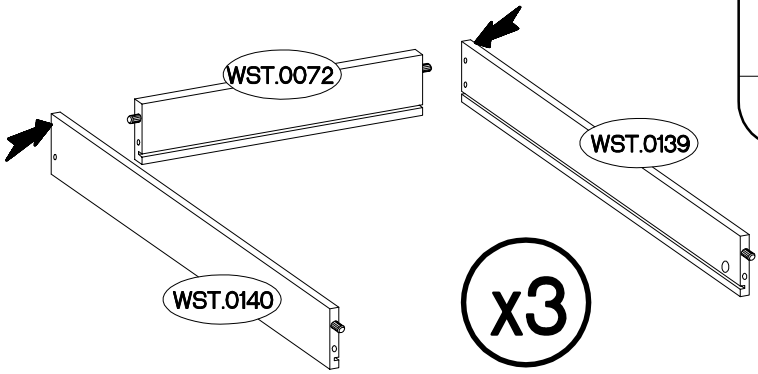
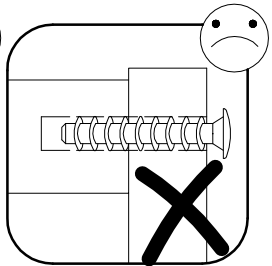
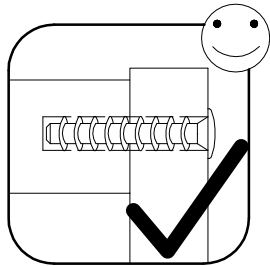


x3

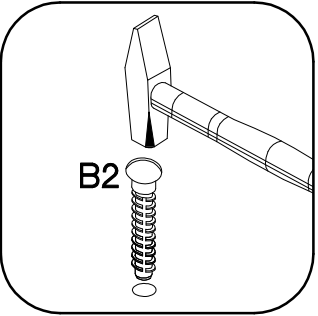
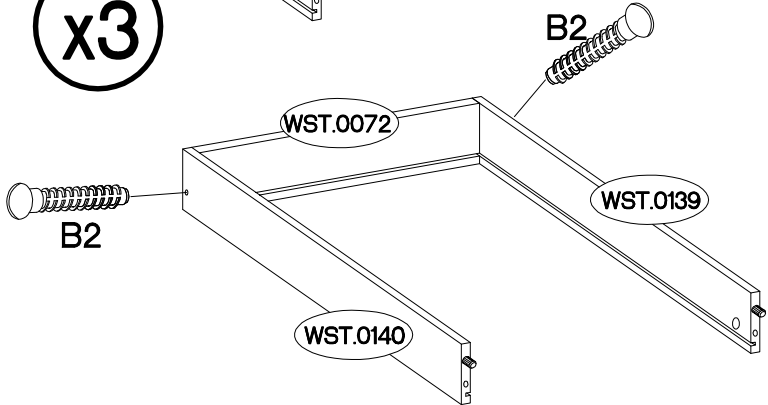


2


#6x42mm  <b>B2</b> 6
--

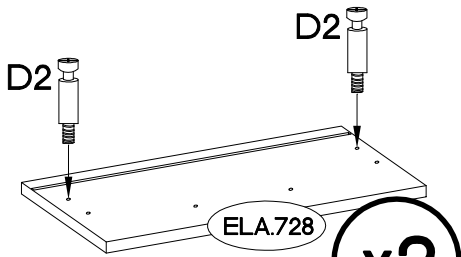


x3



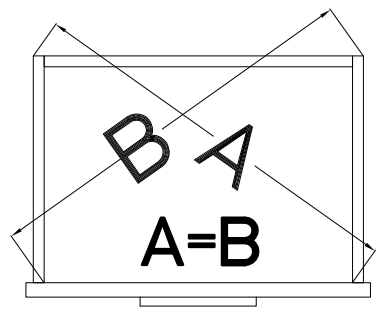
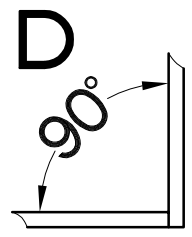
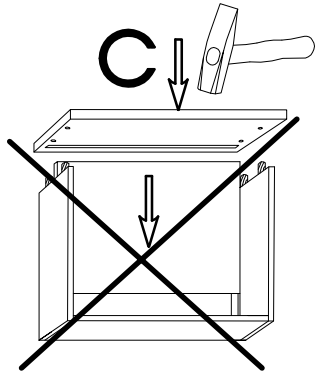
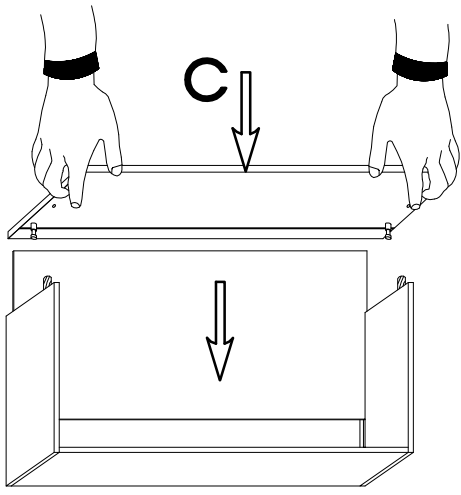
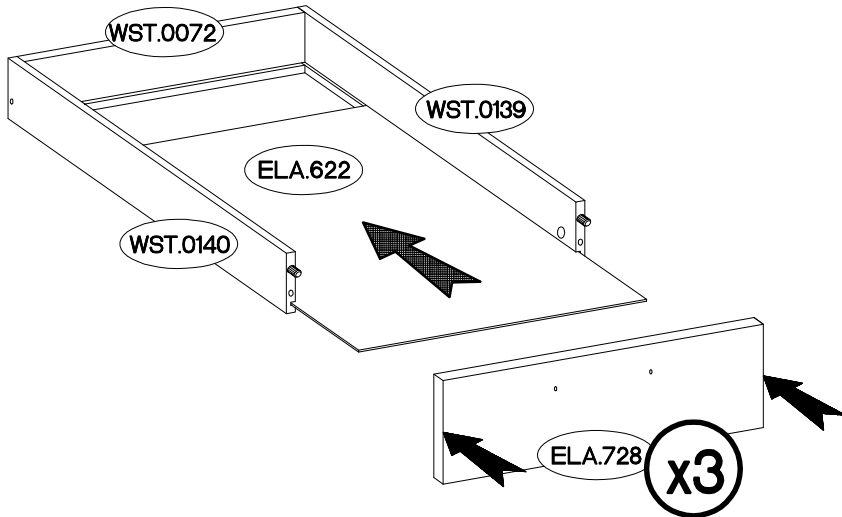
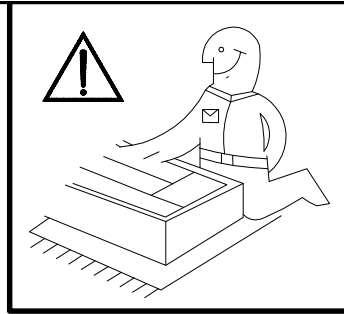
3

L=20mm  <b>D2</b> 6
---

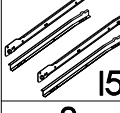



x3

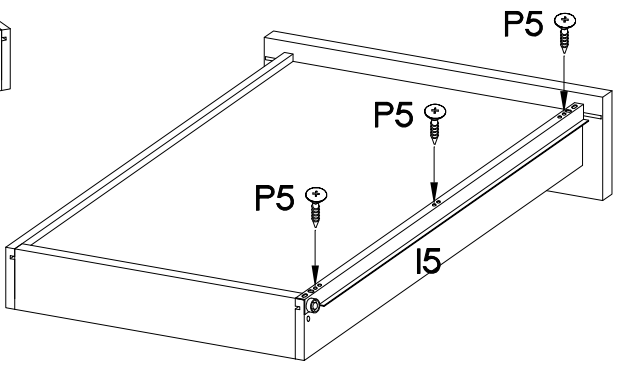
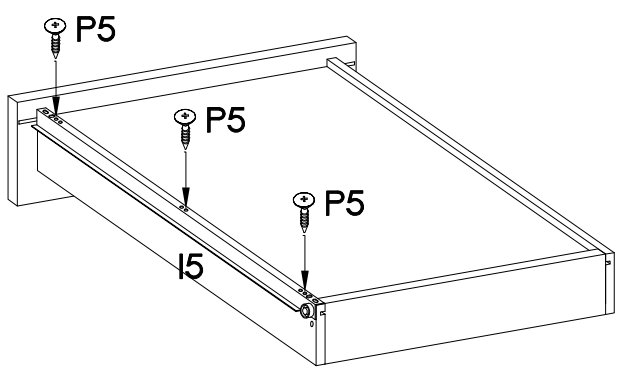
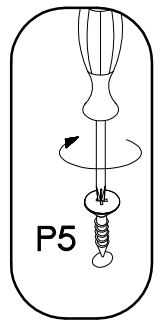
4



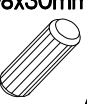



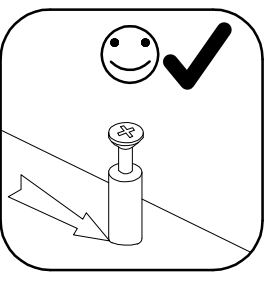
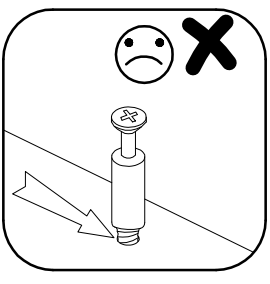
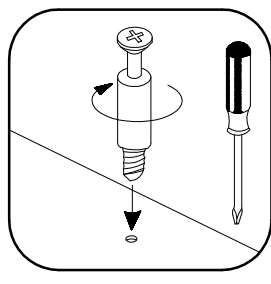
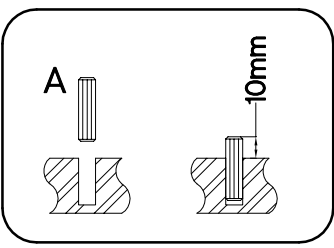
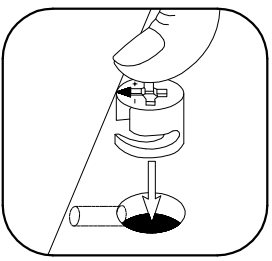
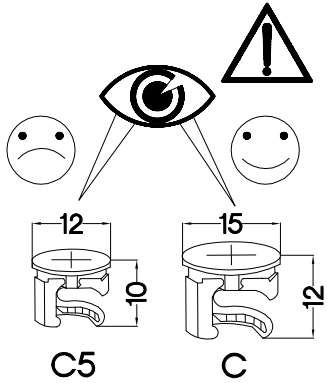
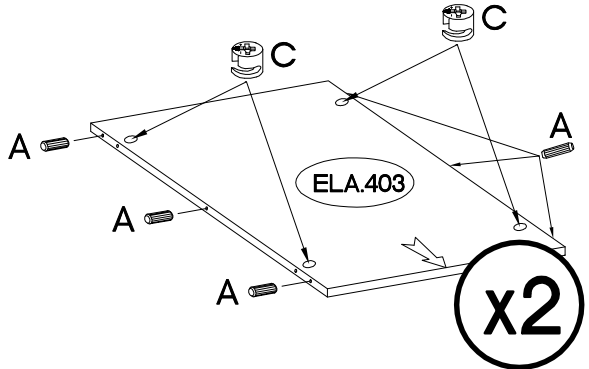
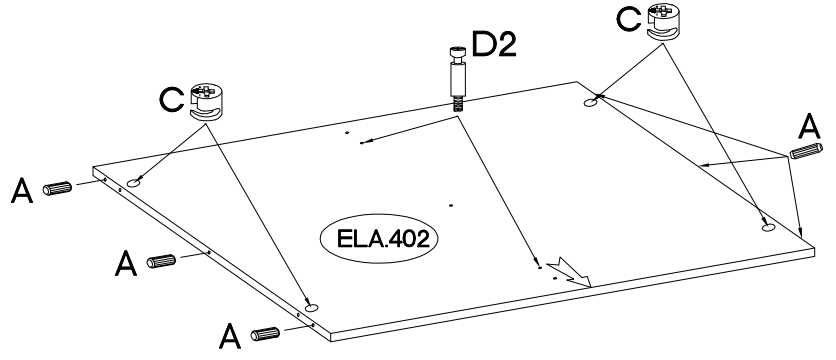
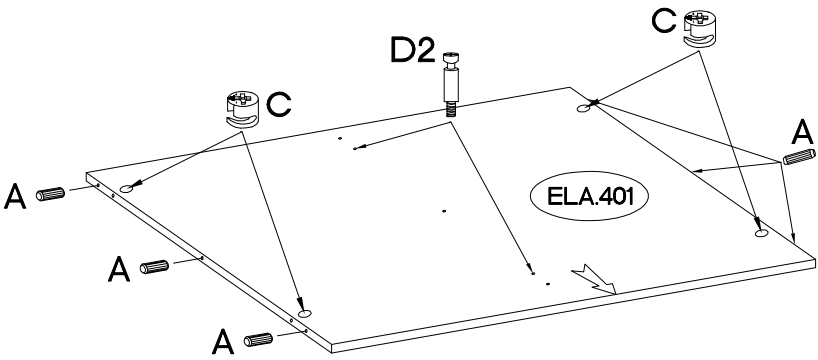
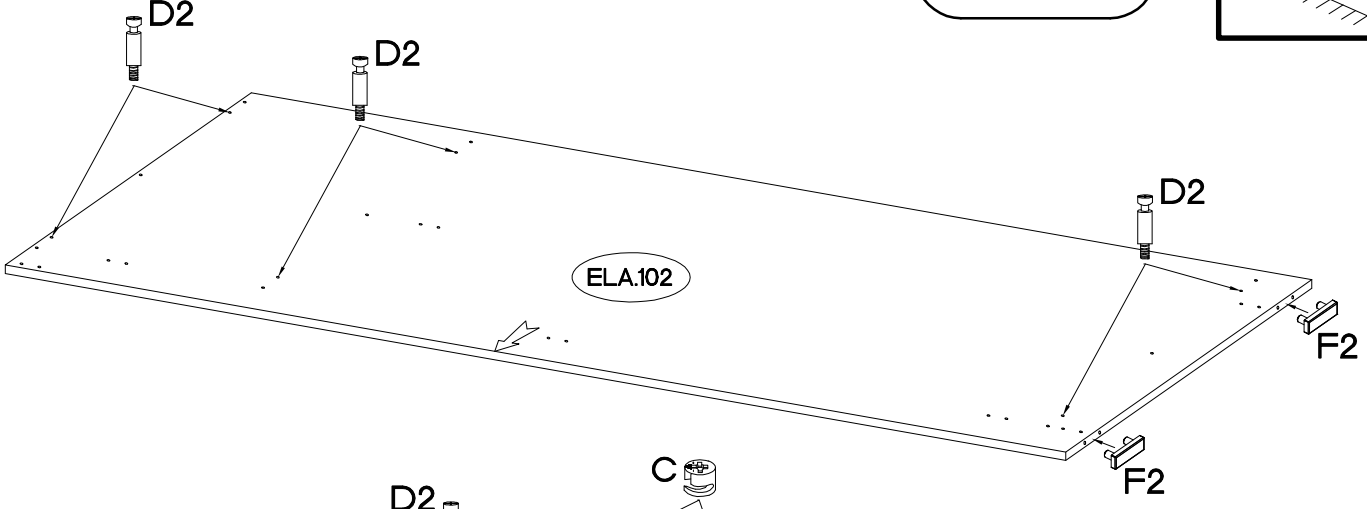
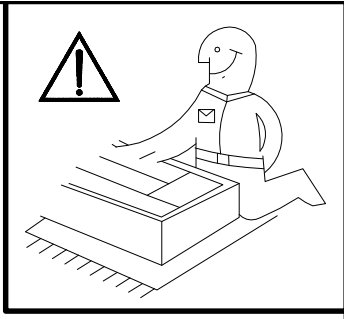
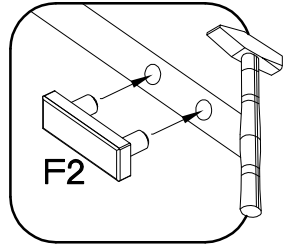
5


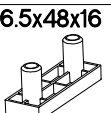





L=450mm	±3.5x13mm
 15	 P5
3	18

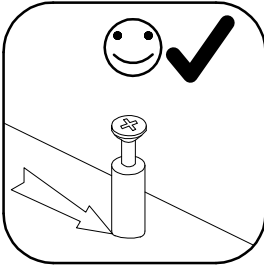
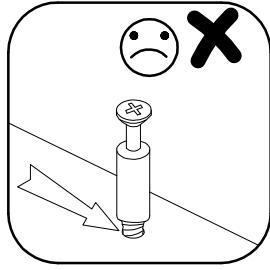
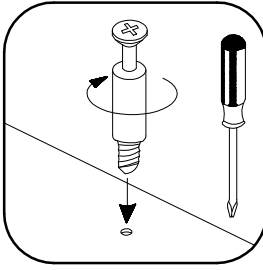
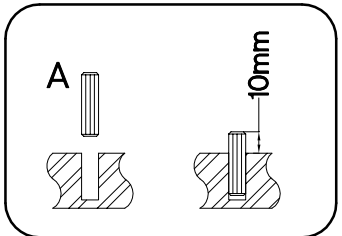
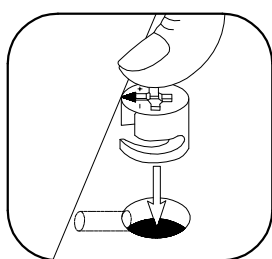
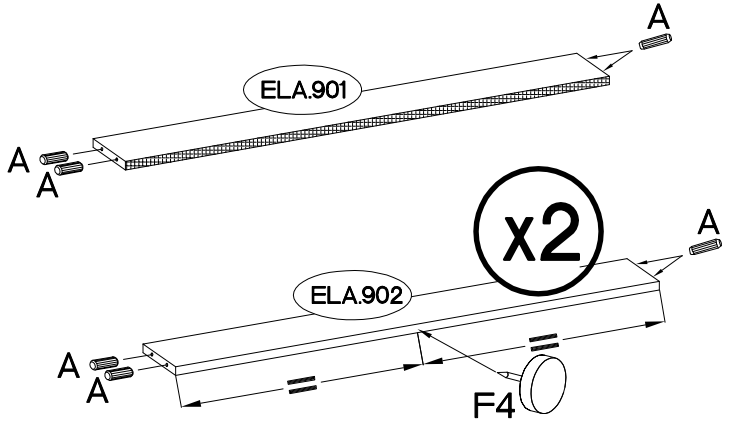
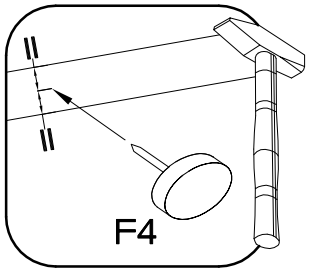
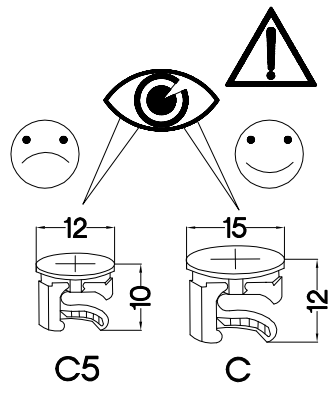
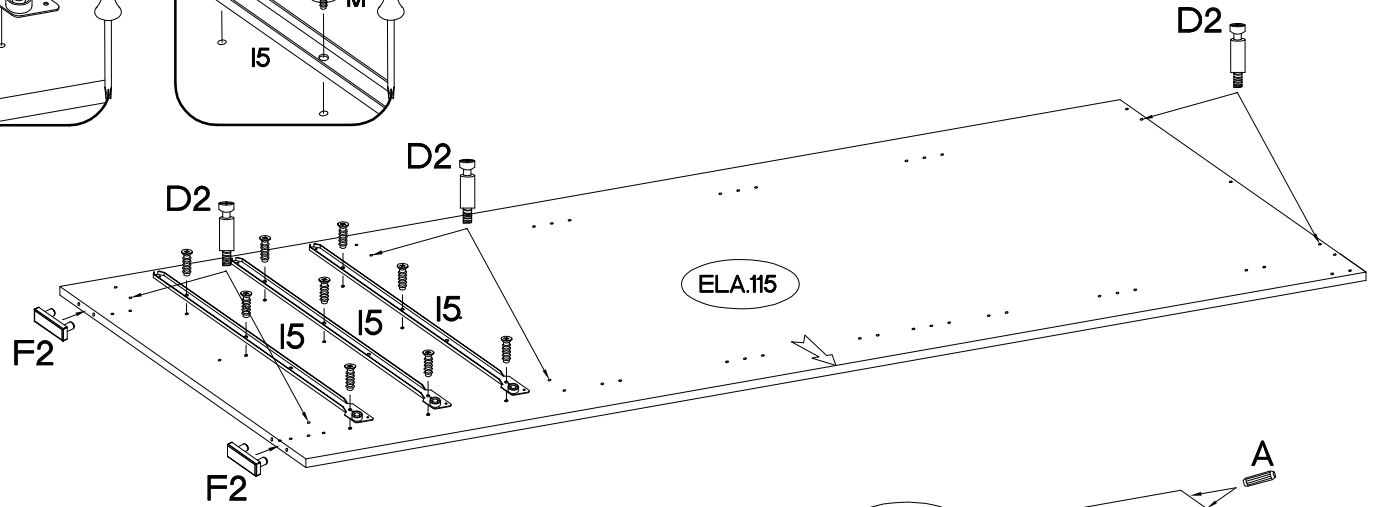
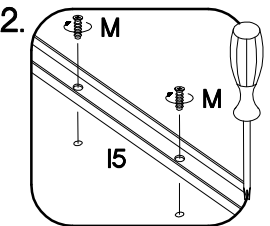
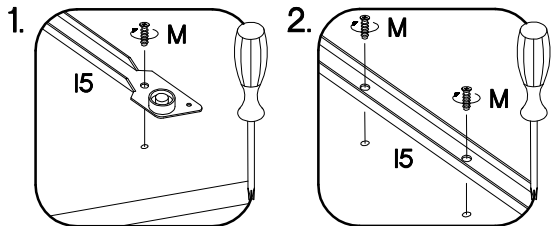
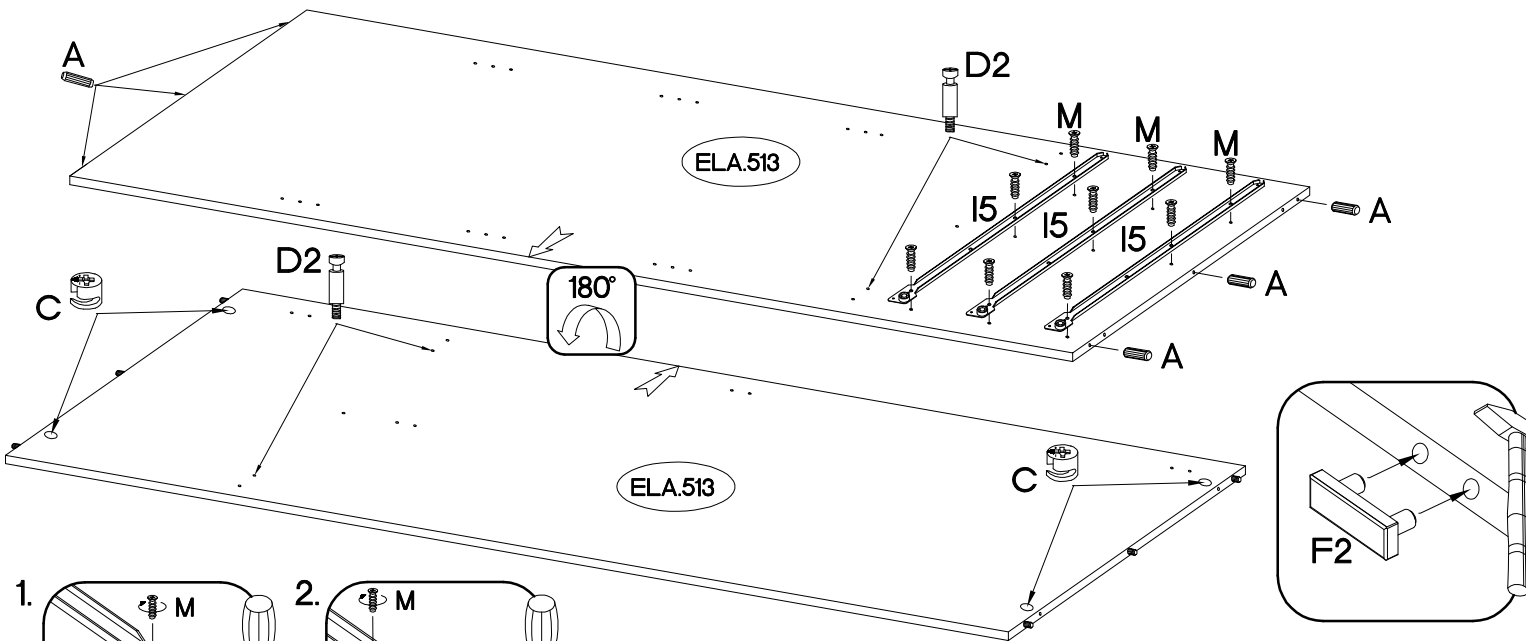
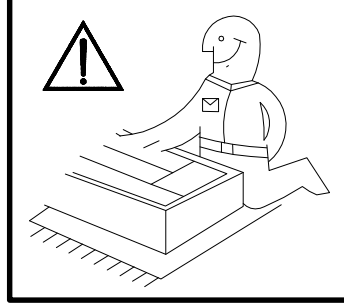
x3



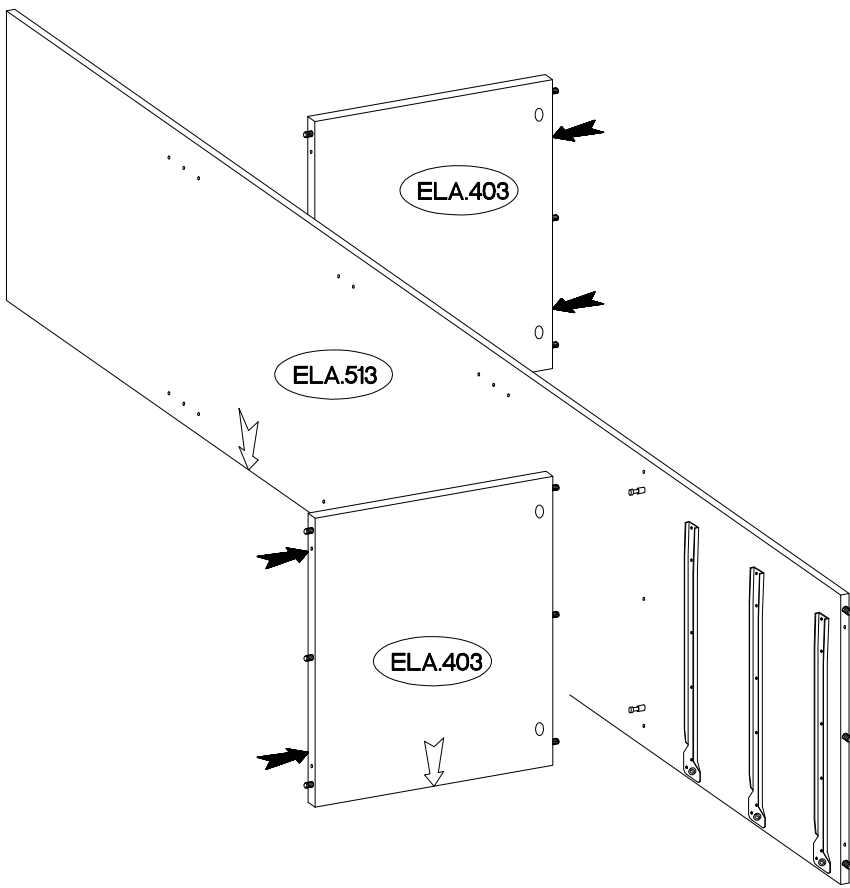
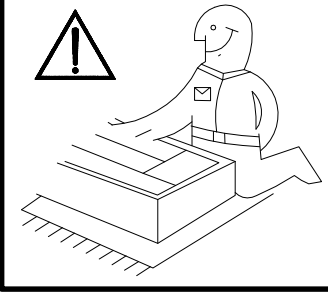
L=20mm	6.5x48x16	∅8x30mm	∅15/12mm
 D2	 F2	 A	 C
10	2	24	16



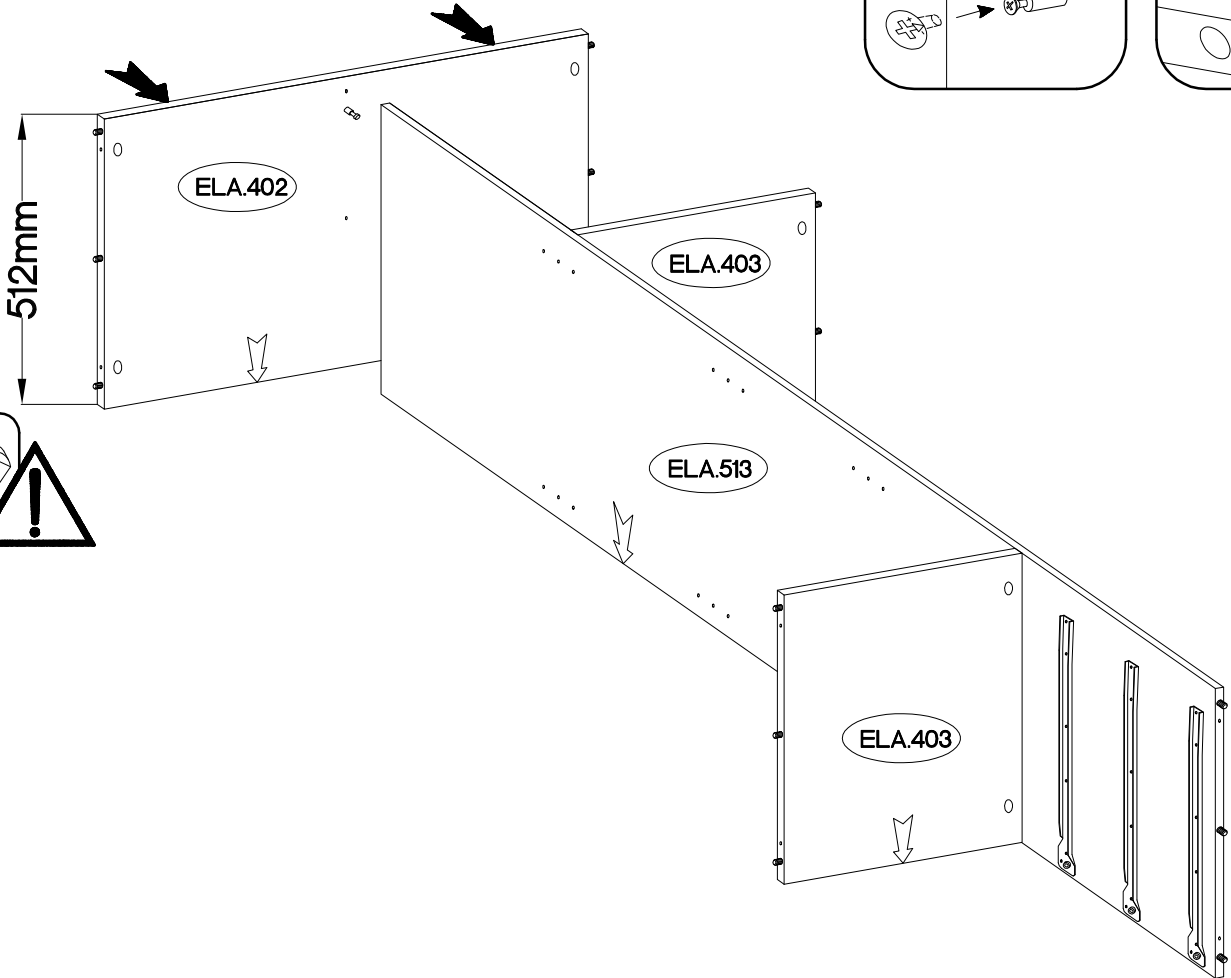
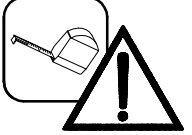
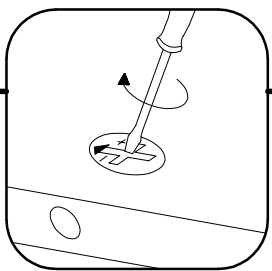
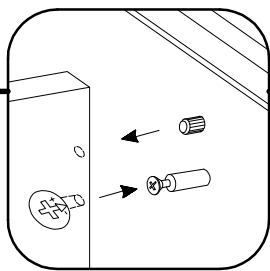
L=20mm  D2 10	6.5x48x16  F2 2	ø8x30mm  A 18	ø15/12mm  C 4	L=450mm  I5 3	ø5.0x13mm  M 18	ø15x5mm  F4 2
--	--	--	--	--	--	---

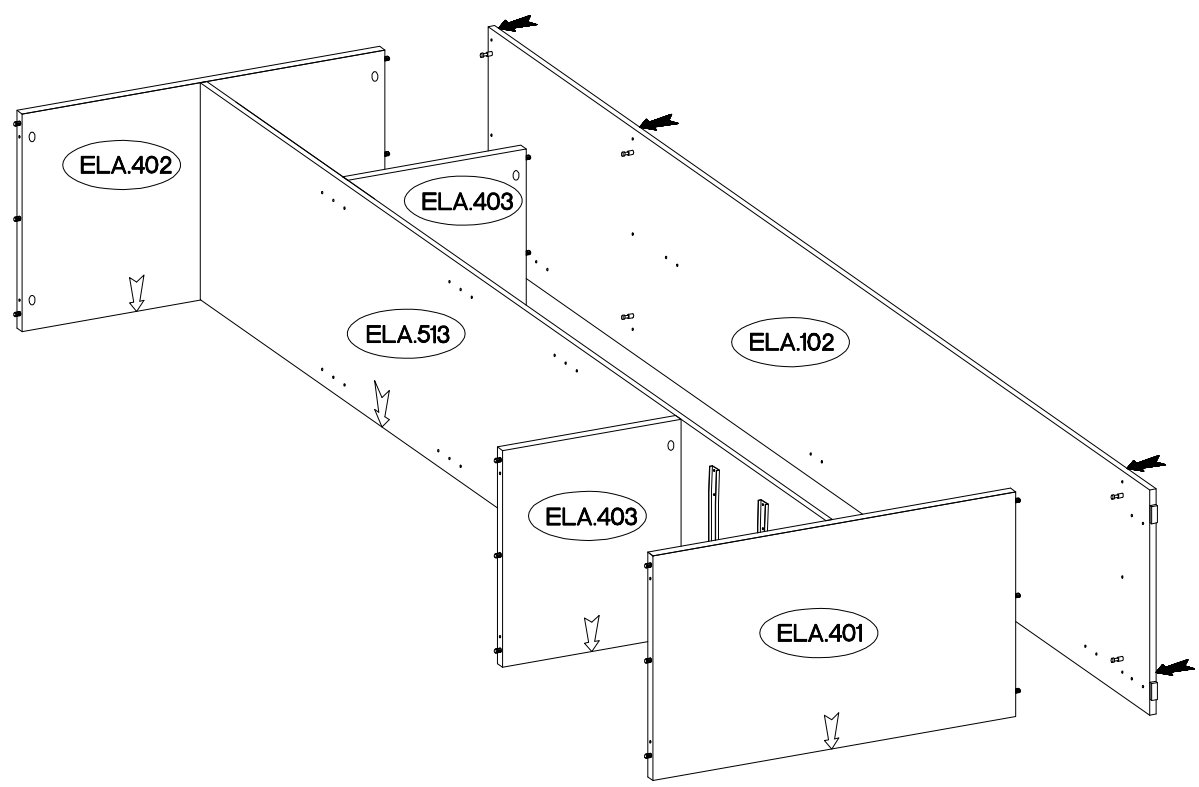
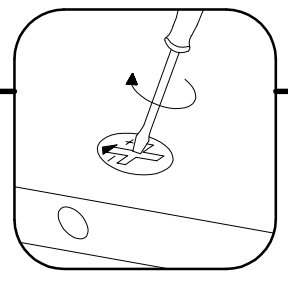
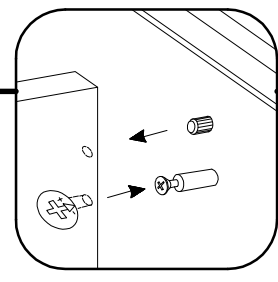
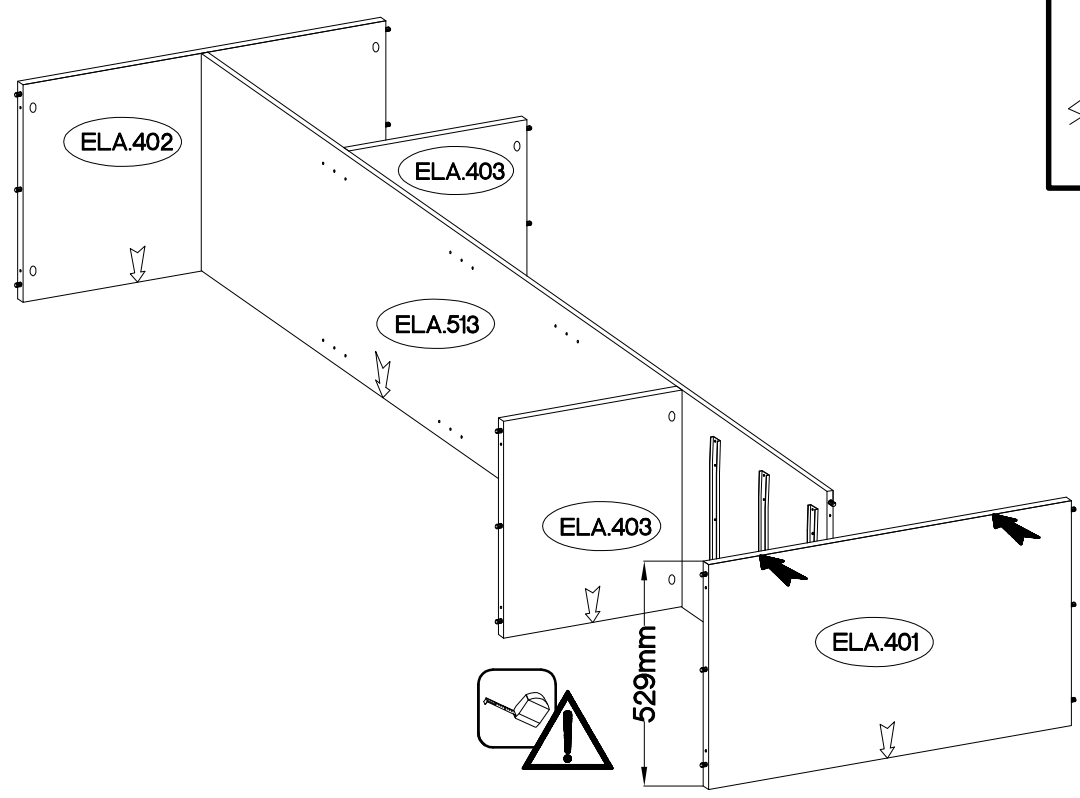
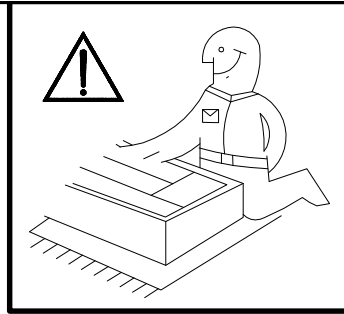


8

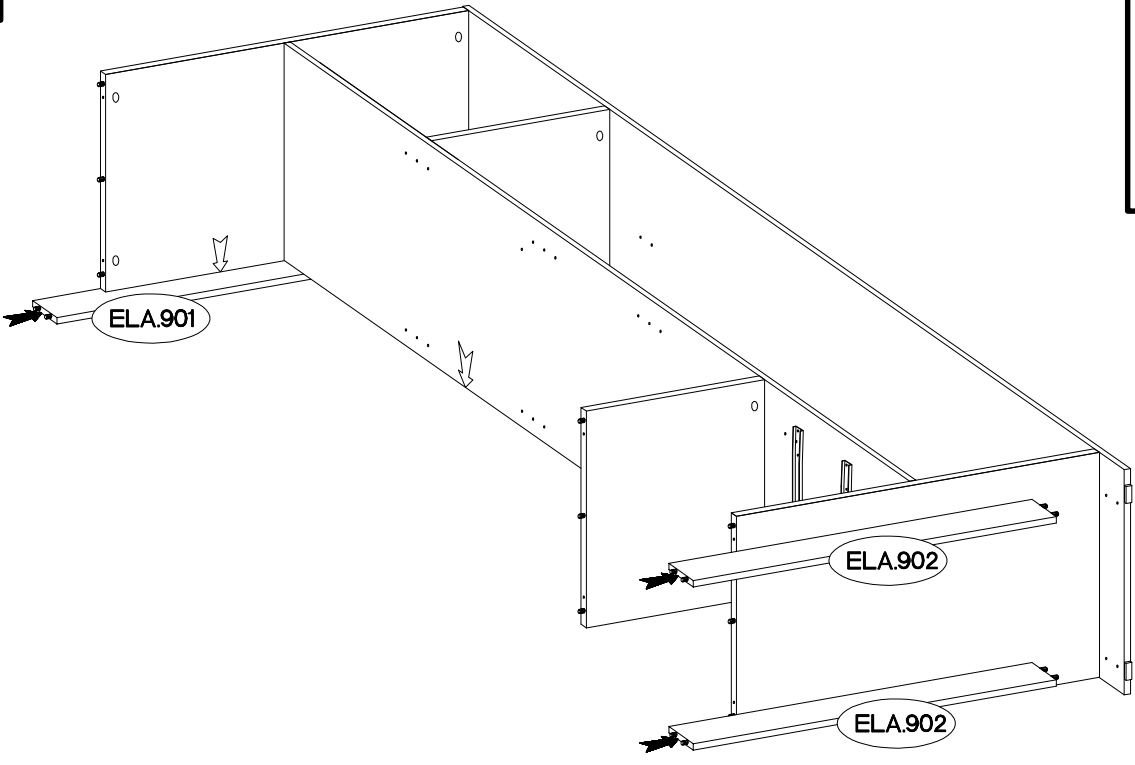
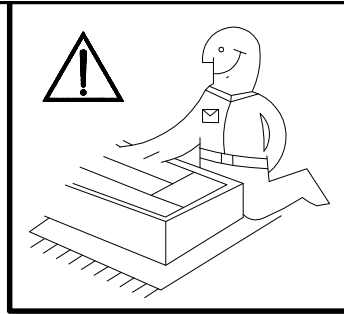


9

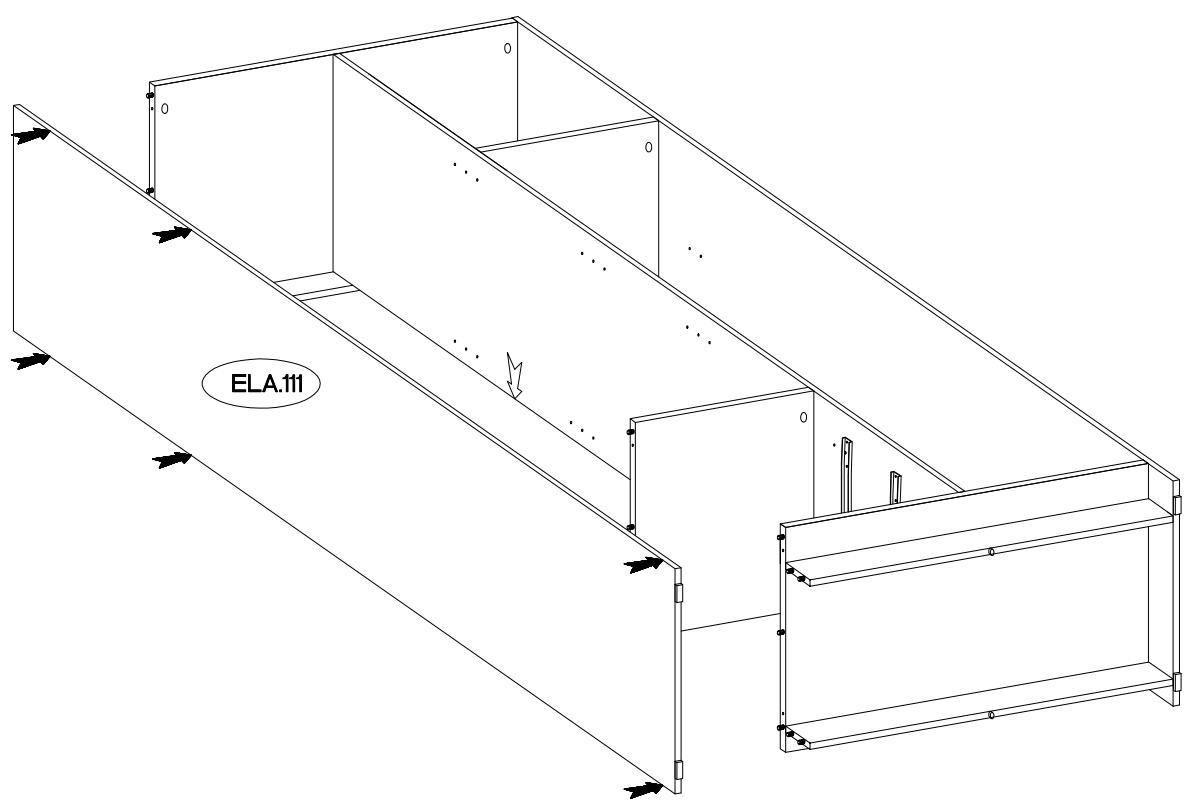
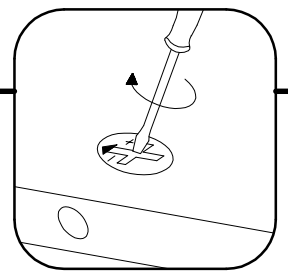
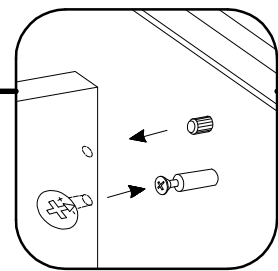



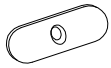


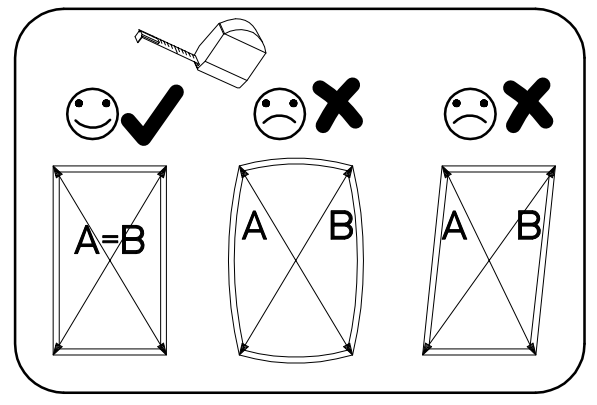
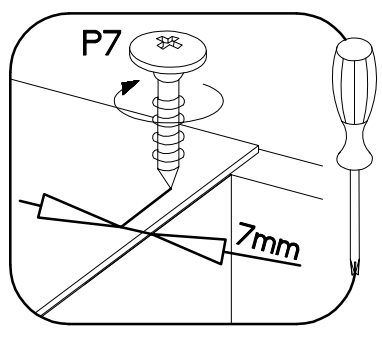
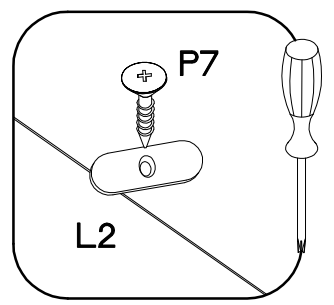
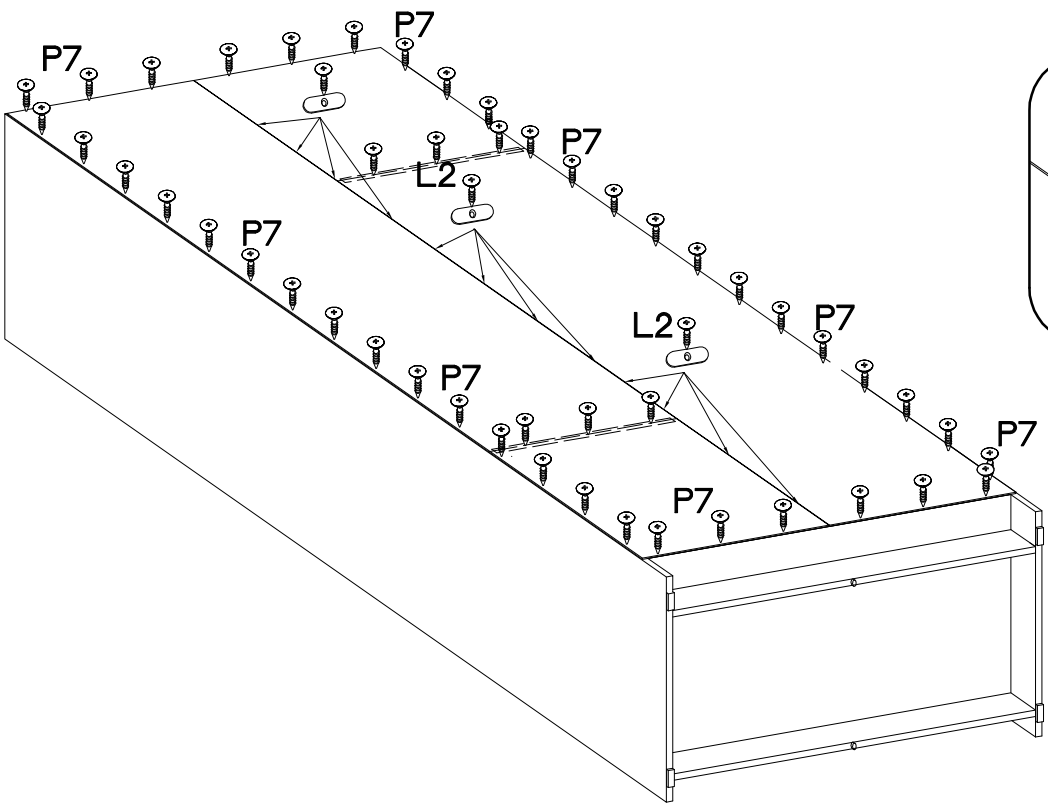
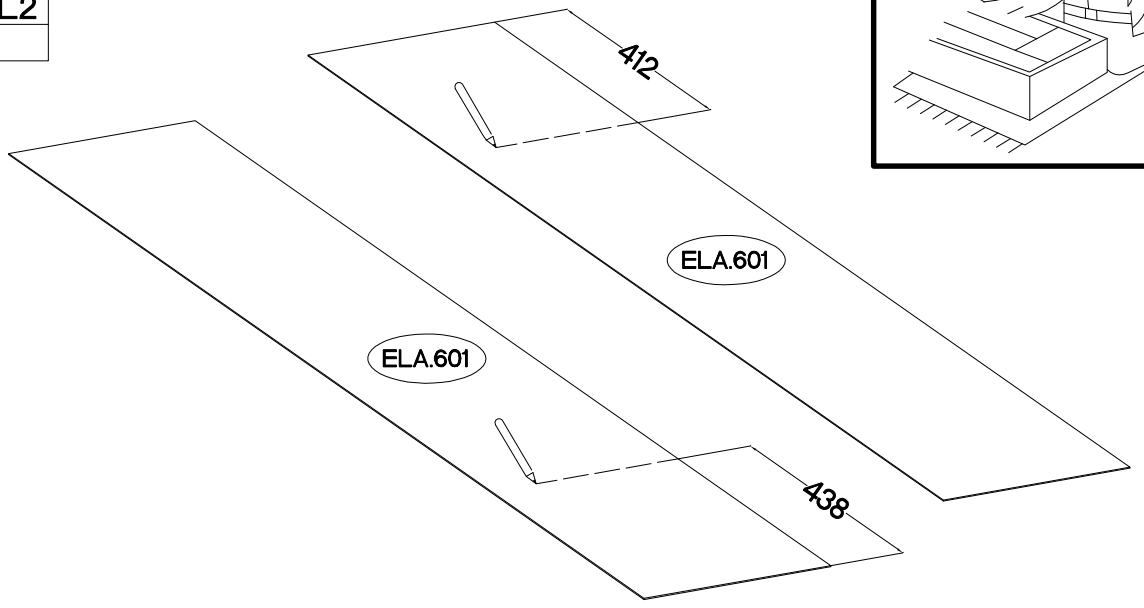
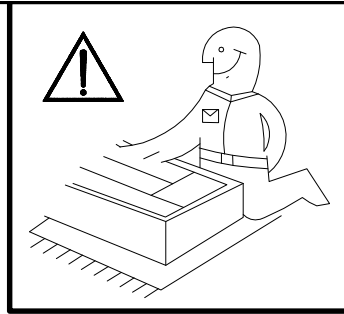
12

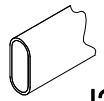





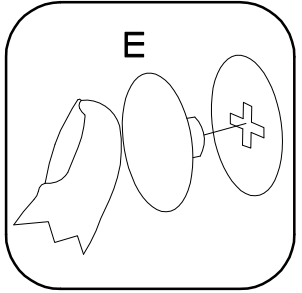
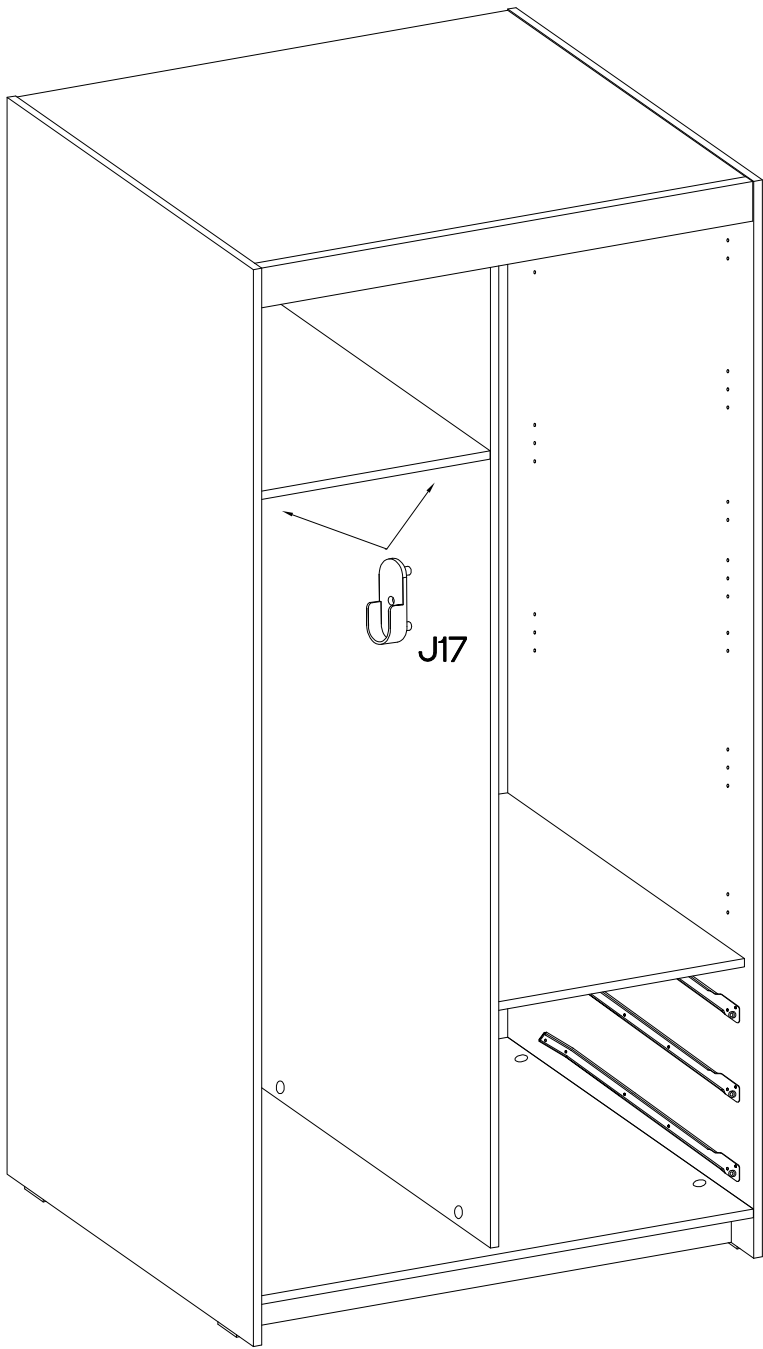
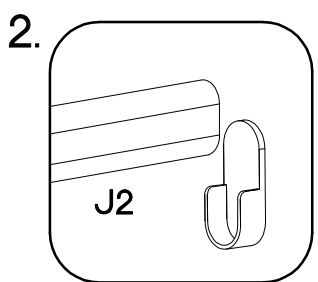
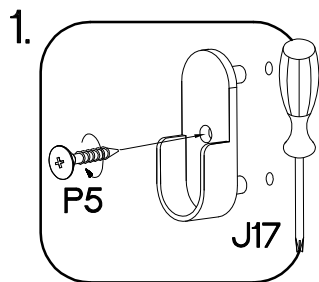
13

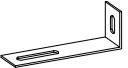





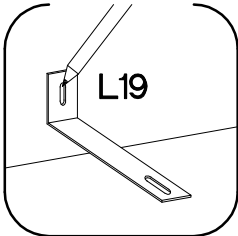
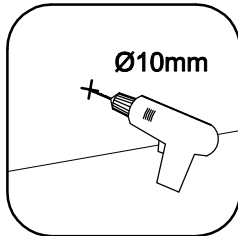
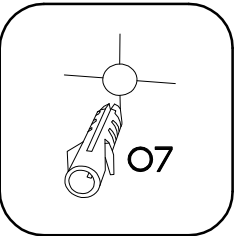
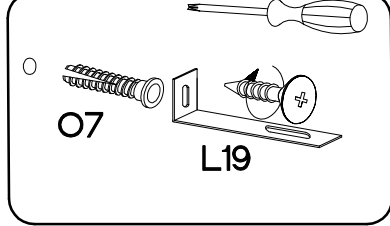
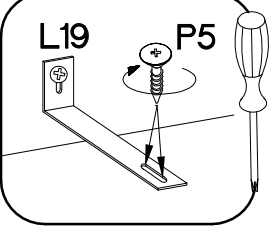
$\pm 3.0 \times 20 \text{mm}$  P7 45-50	 L2 12
--	--

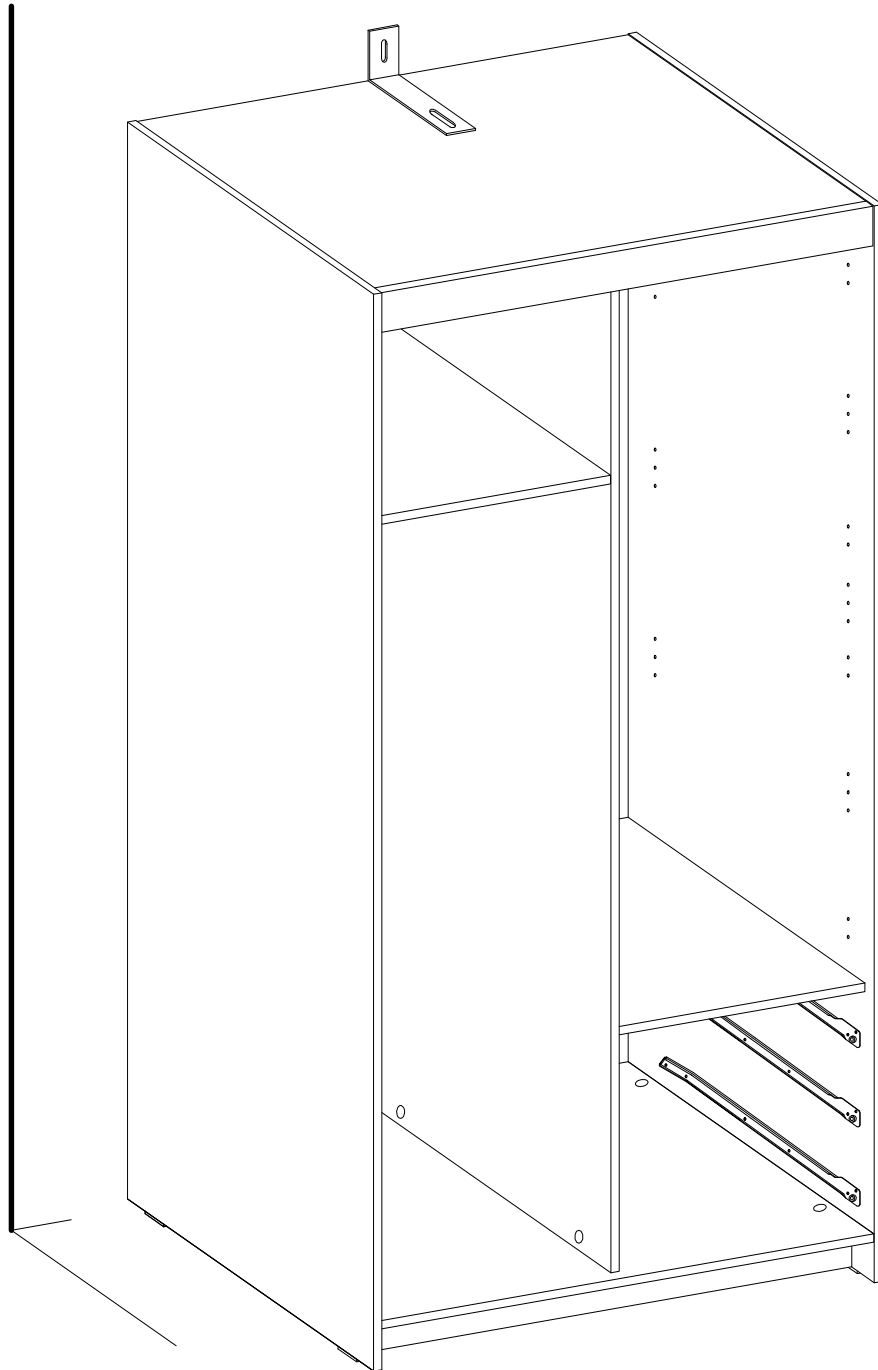
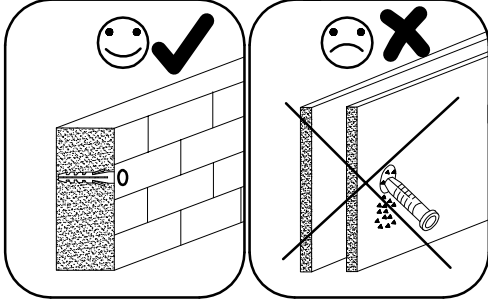


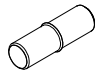
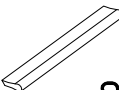

L=418mm  J2 1	 J17 2	φ3.5x13mm  P5 2	 E 20
--	--	--	---

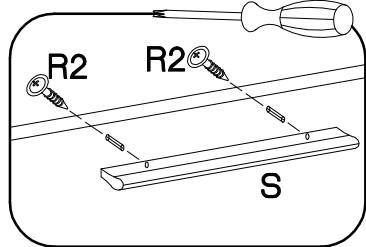
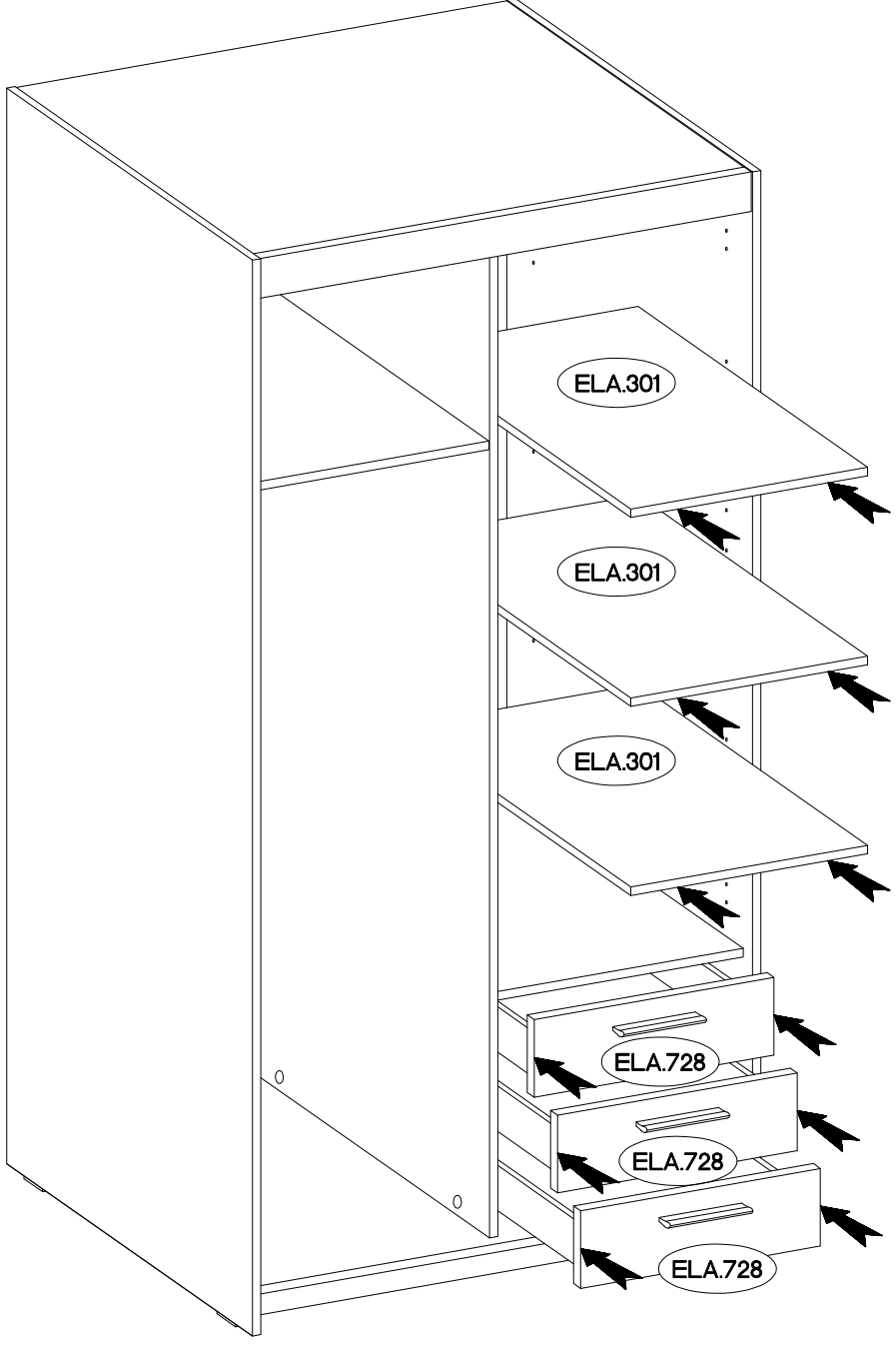
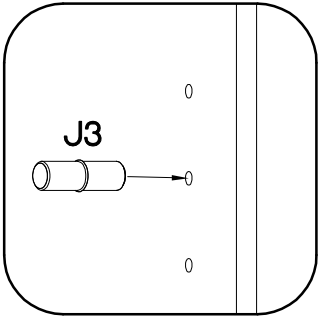


	†3.5x13mm	†5.0x60mm	†10x50mm
			
L19	P5	P12	O7
1	2	1	1



- 
- 
- 
- 
- 

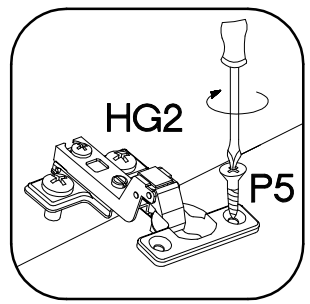
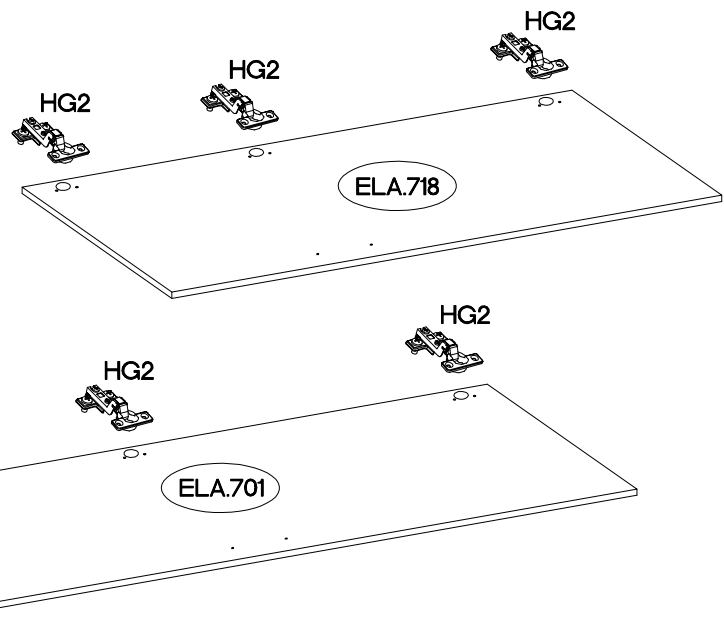


$\pm 5/16$ mm  J3 12	L=128mm  S 3	$\pm 4.0 \times 30$ mm  R2 6
---	---	---





# 18

$\pm 35/16\text{mm}$	$\pm 3.5 \times 13\text{mm}$
	
HG2	P5
6	12



# 19

L=128mm	$\pm 4.0 \times 30\text{mm}$
	
S	R2
2	4

