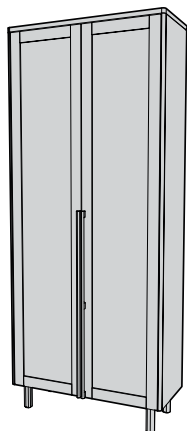


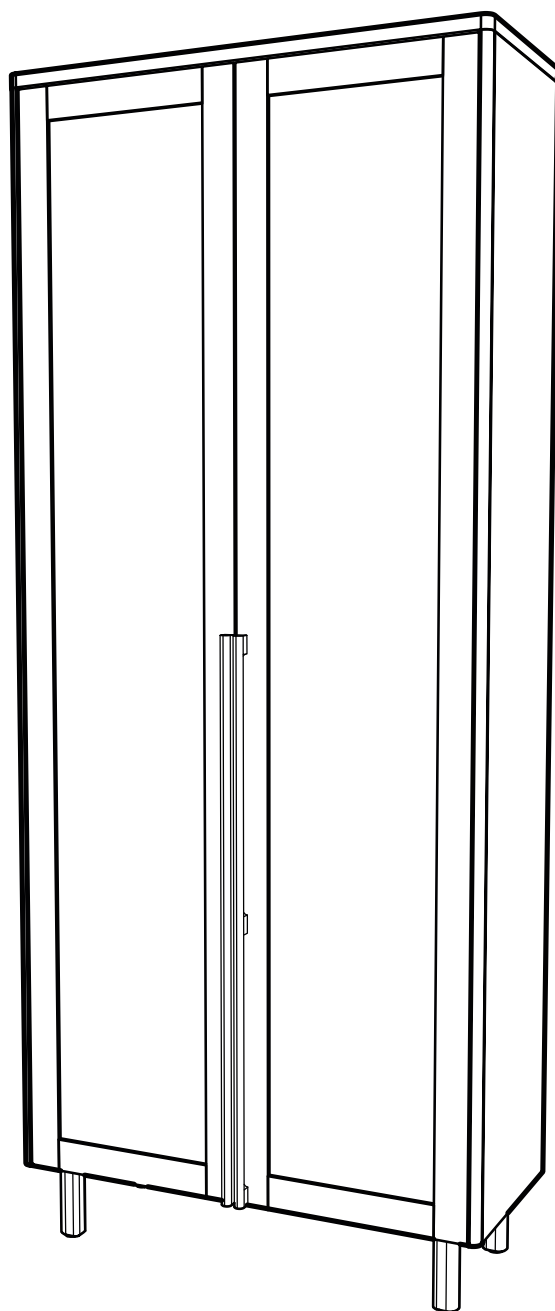
WELL

VOX

4024247_001



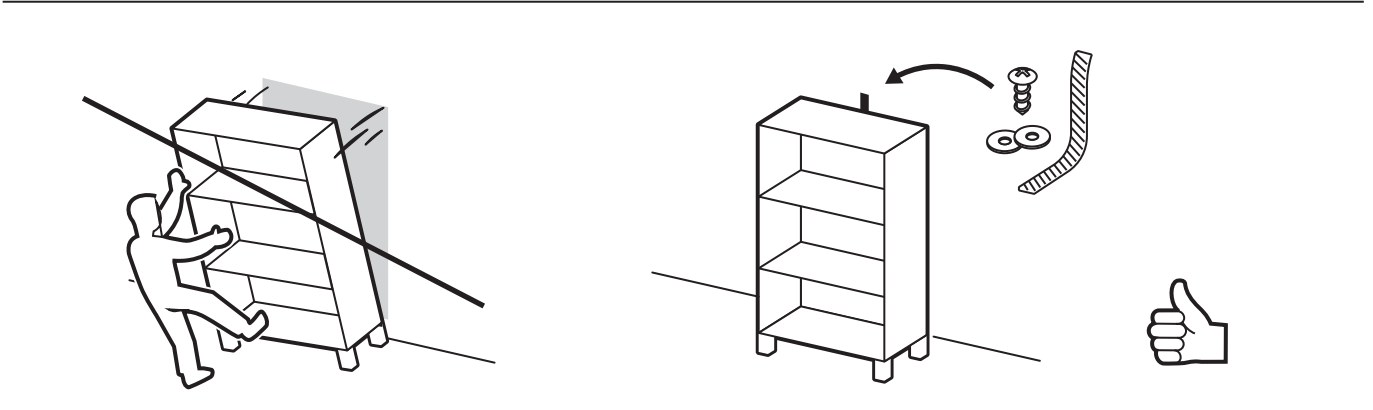
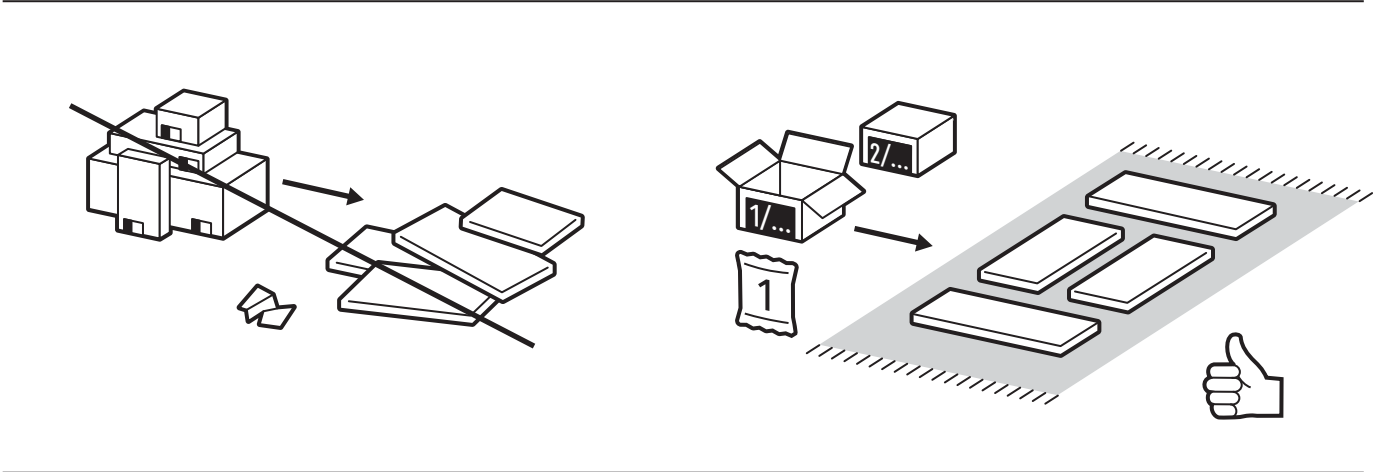
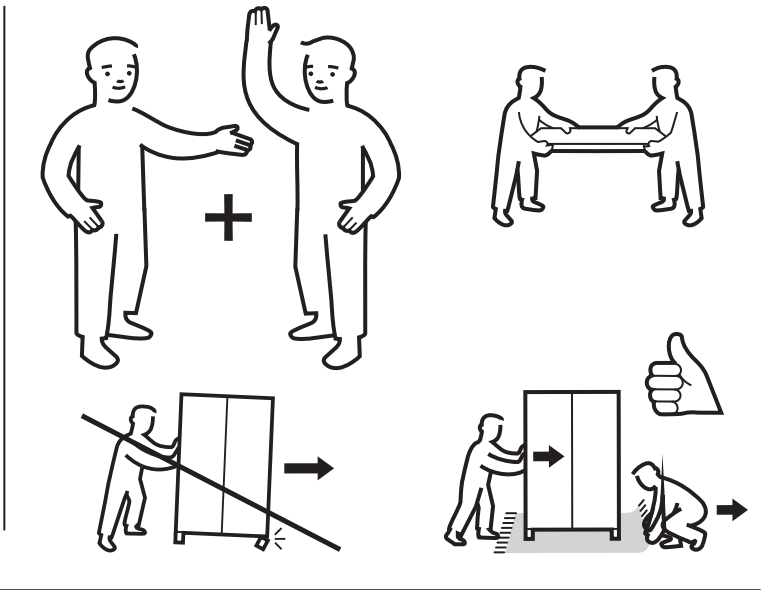
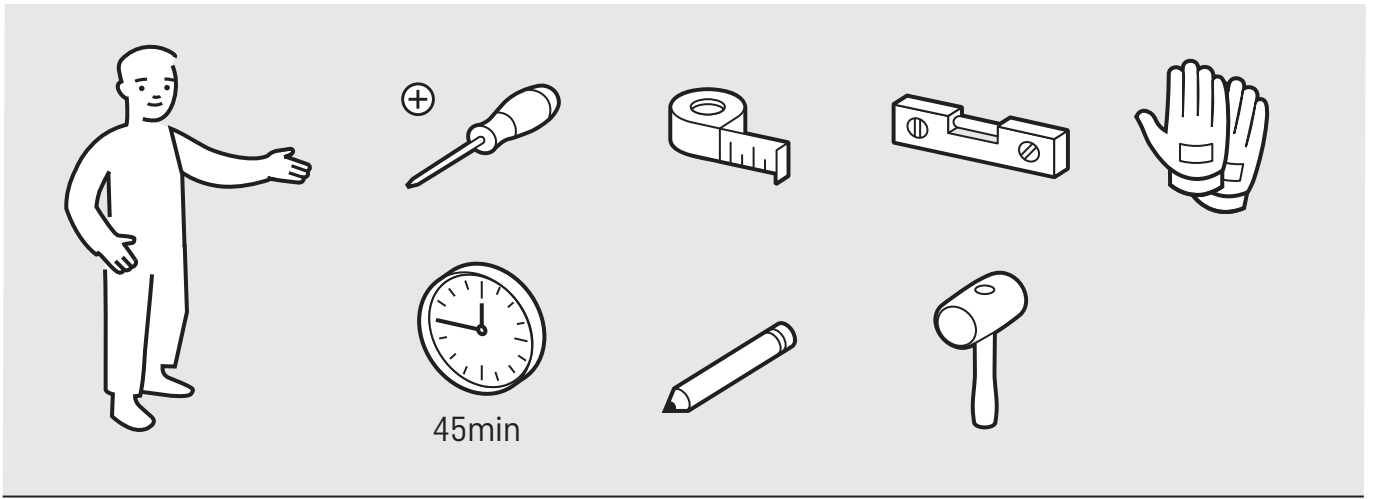
83,5x35x198 cm
33x13 3/4x78"

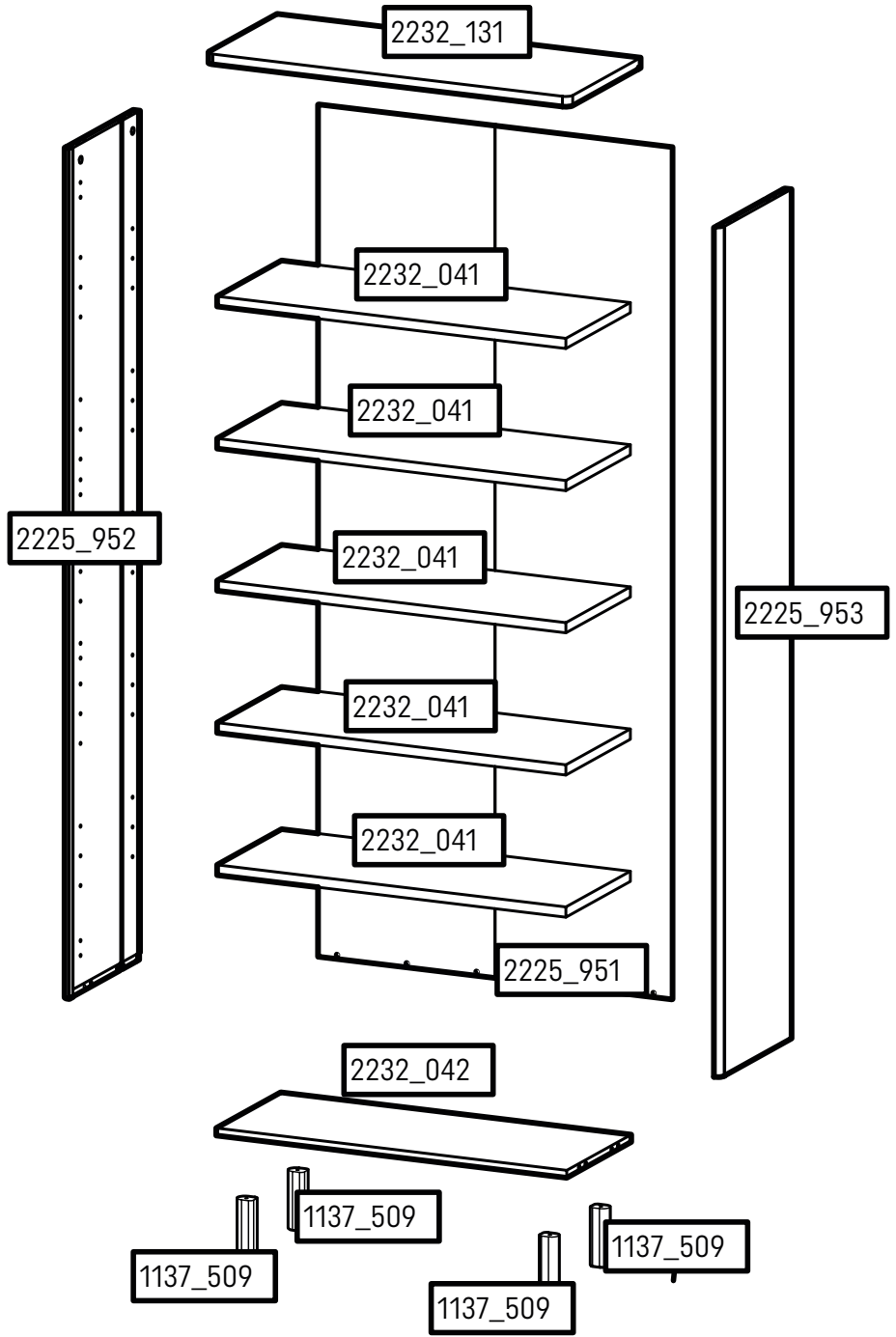
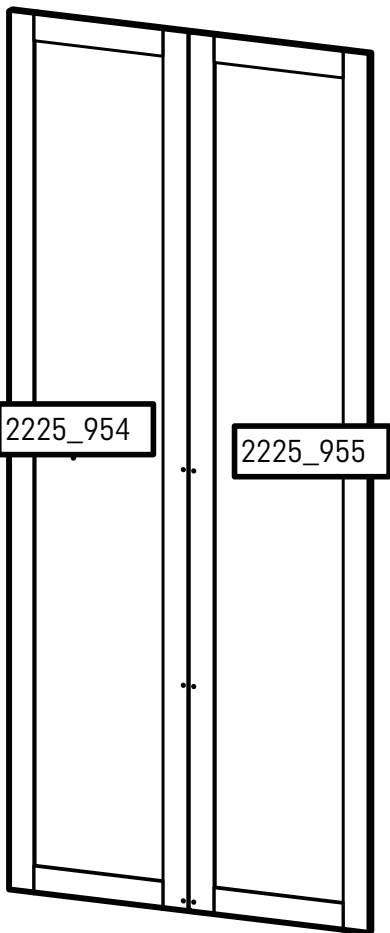
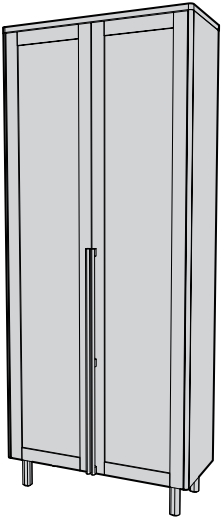


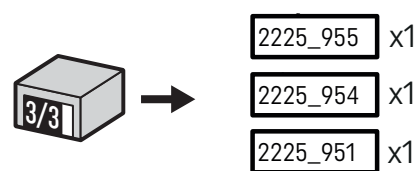
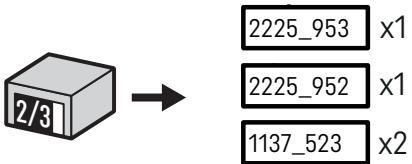
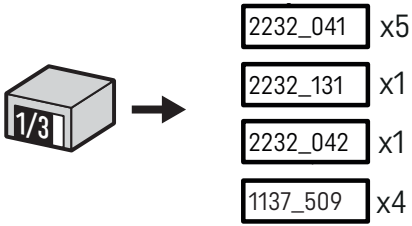
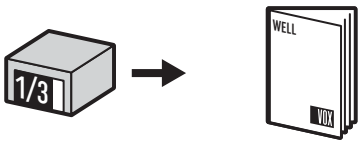
PL • vox.pl

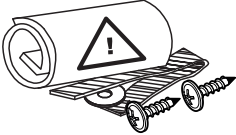
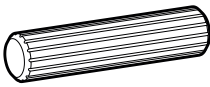
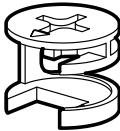
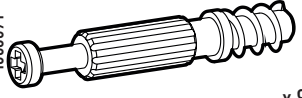


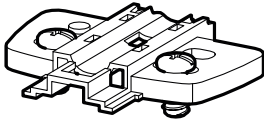
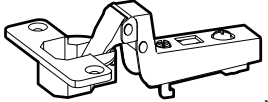
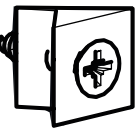

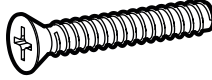

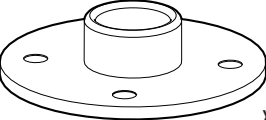

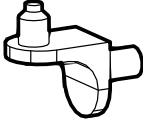

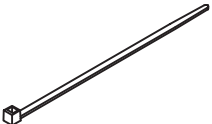
EU • voxfurniture.com

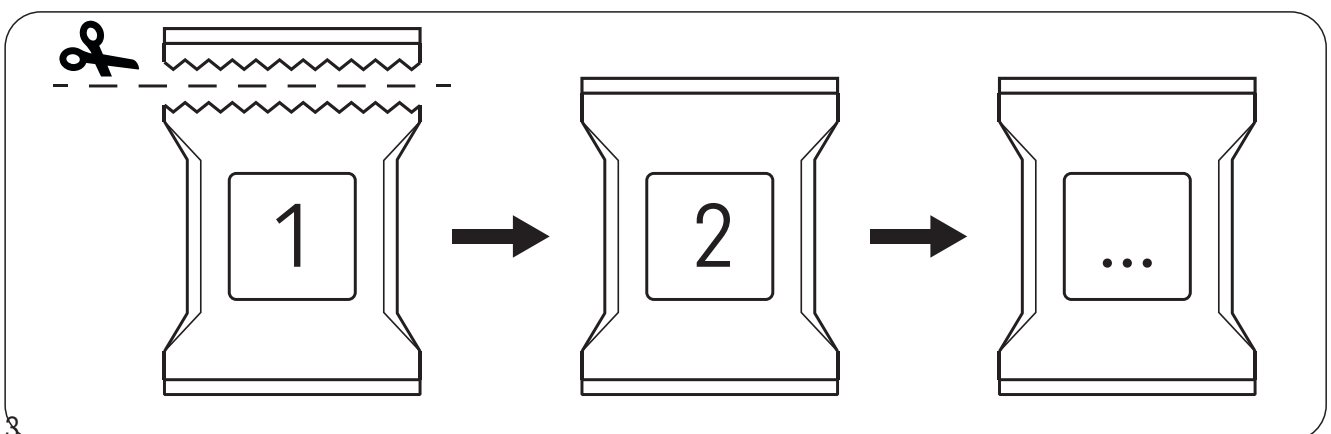
US • voelkelcorp.com





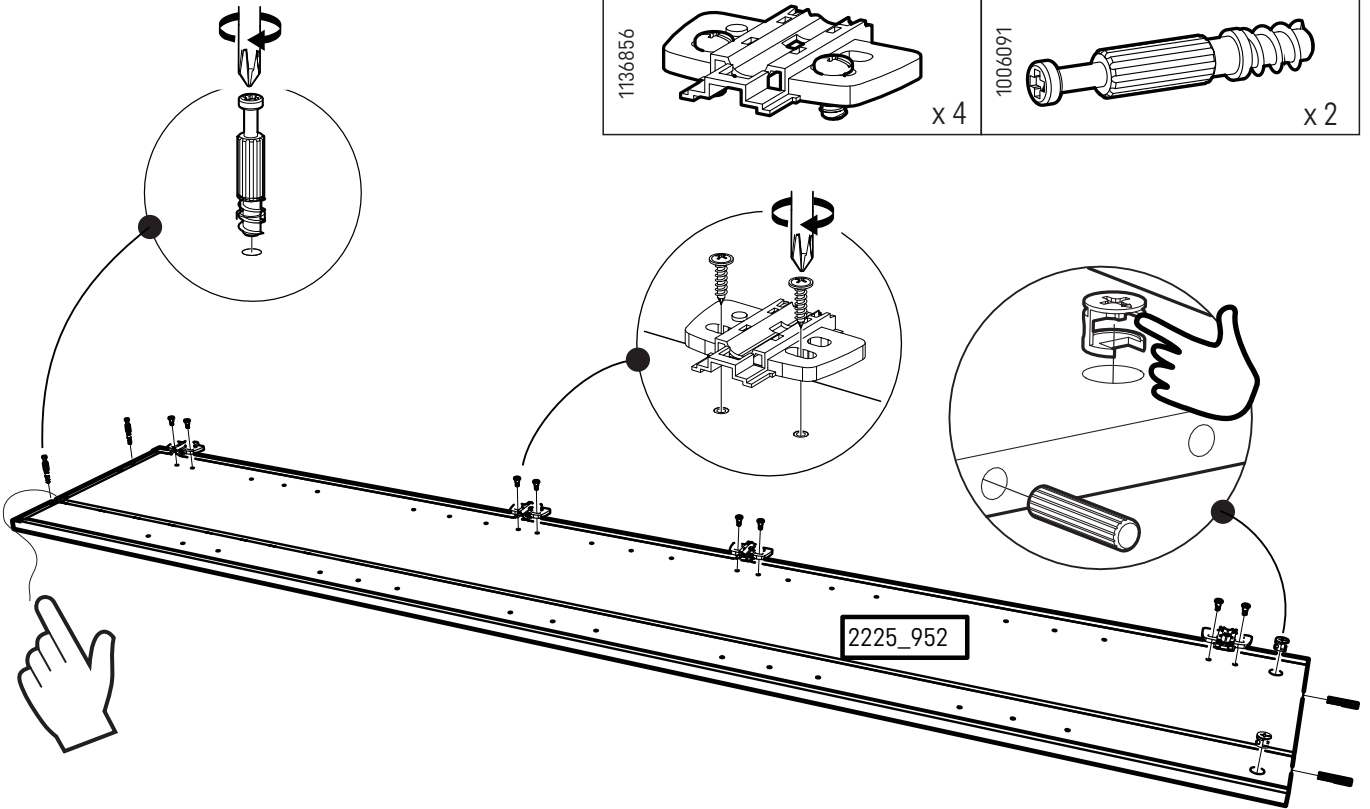


1000893  x 1	1005857  x 8	1005990  x 8	1006091  x 8
1137666  x 1	1006072  x 6	1003526  x 8	1136238  x 8
1006022  x 12	1005681  x 32	1005907  x 6	1120368  x 4
1101311  x 4	1000600  x 1	1001262  x 20	1008287  x 1
1008286  x 1			



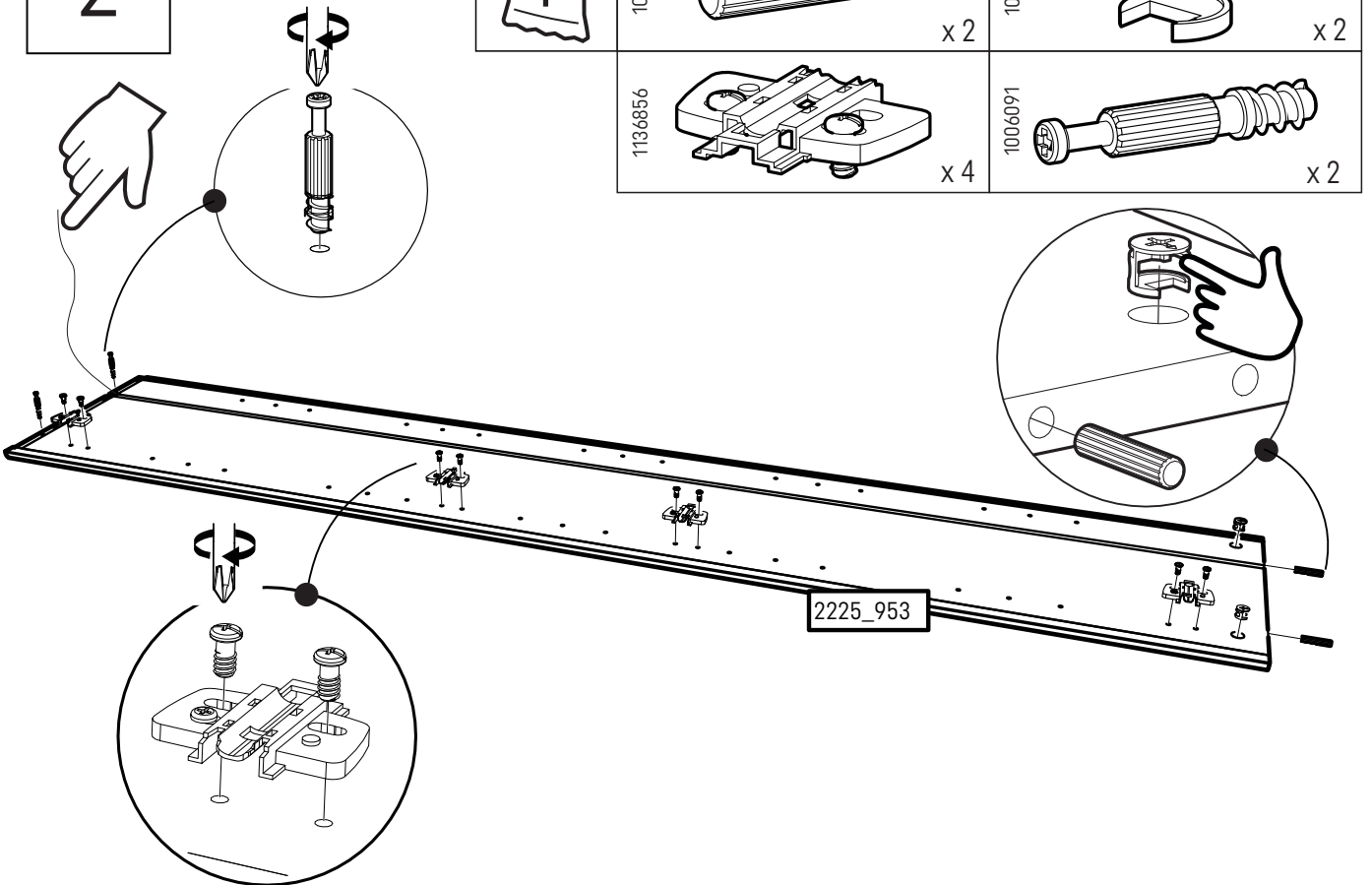
1

1	1005857 x 2	1005990 x 2
1136856 x 4	1006091 x 2	

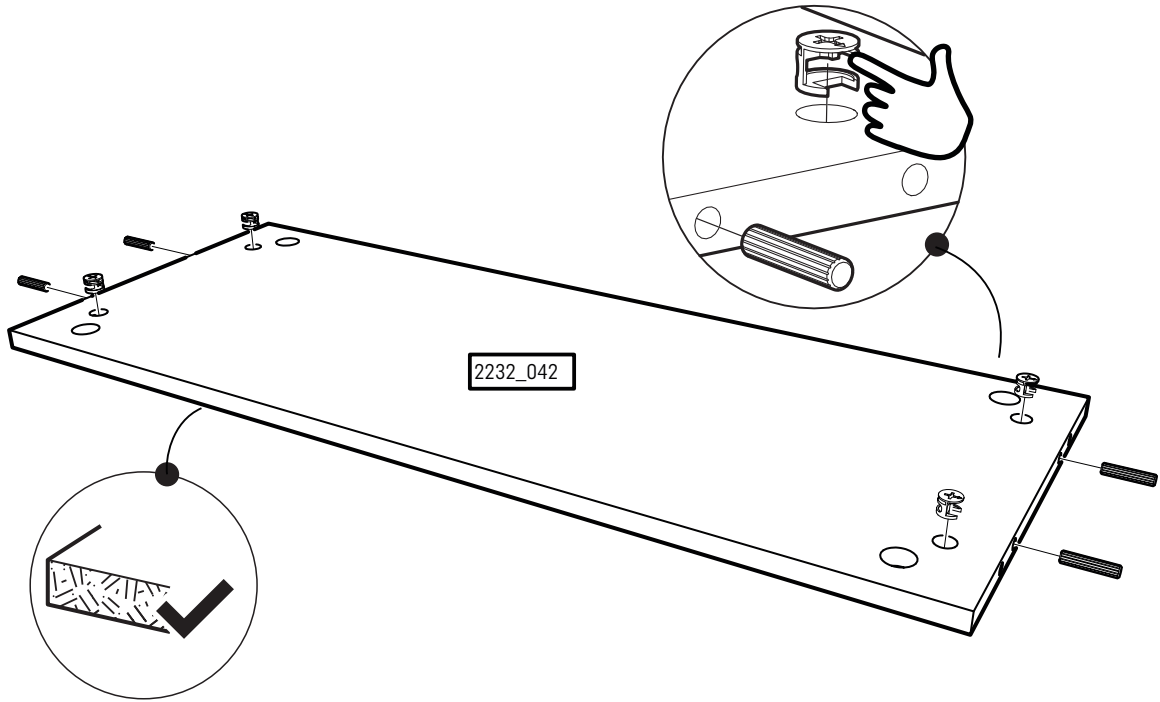
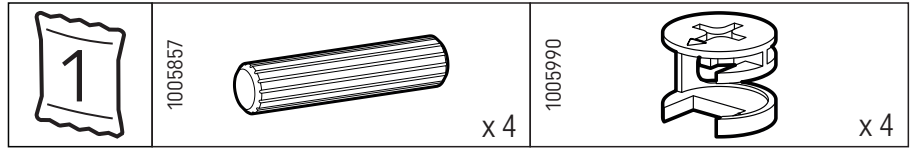


2

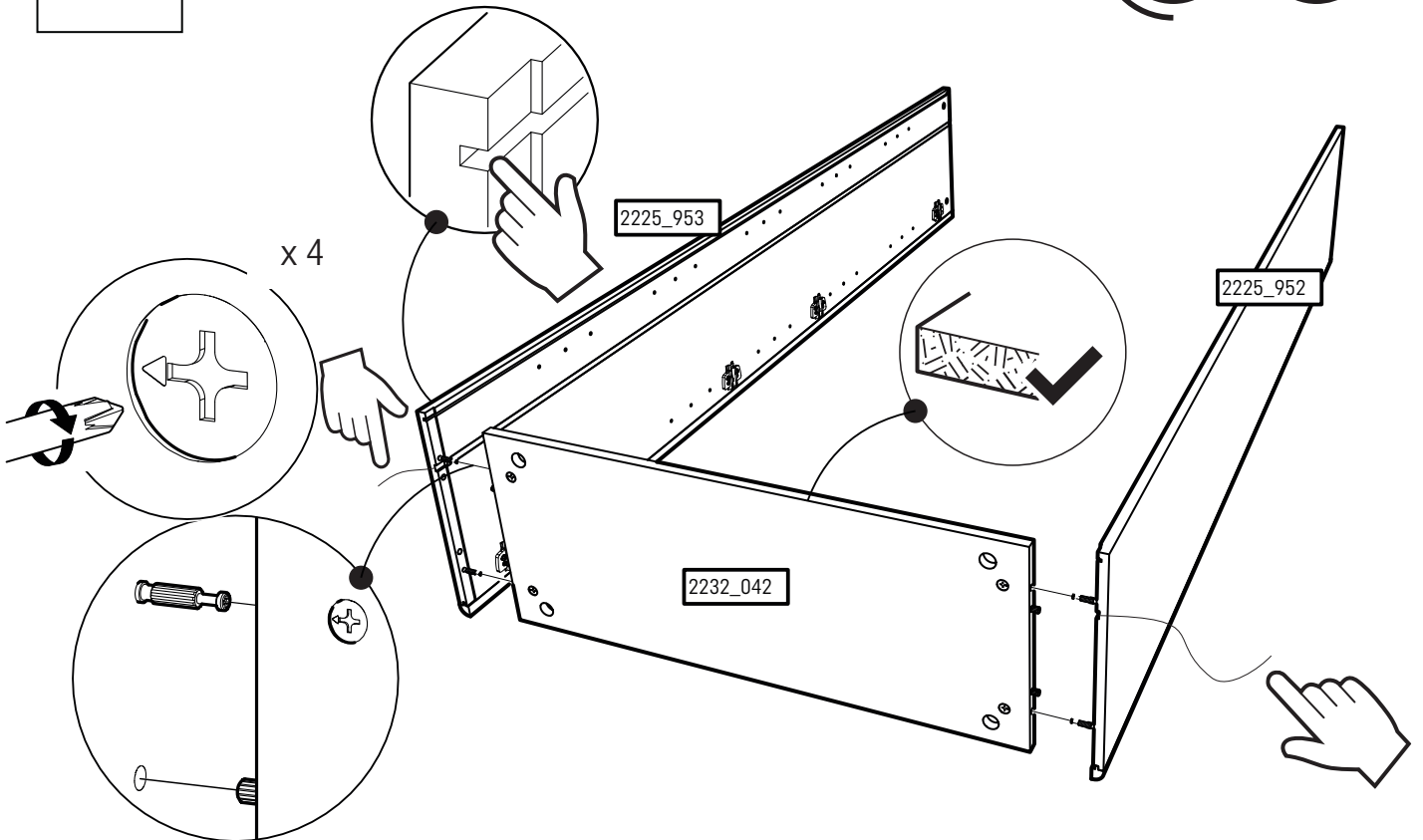
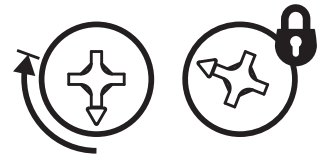
1	1005857 x 2	1005990 x 2
1136856 x 4	1006091 x 2	



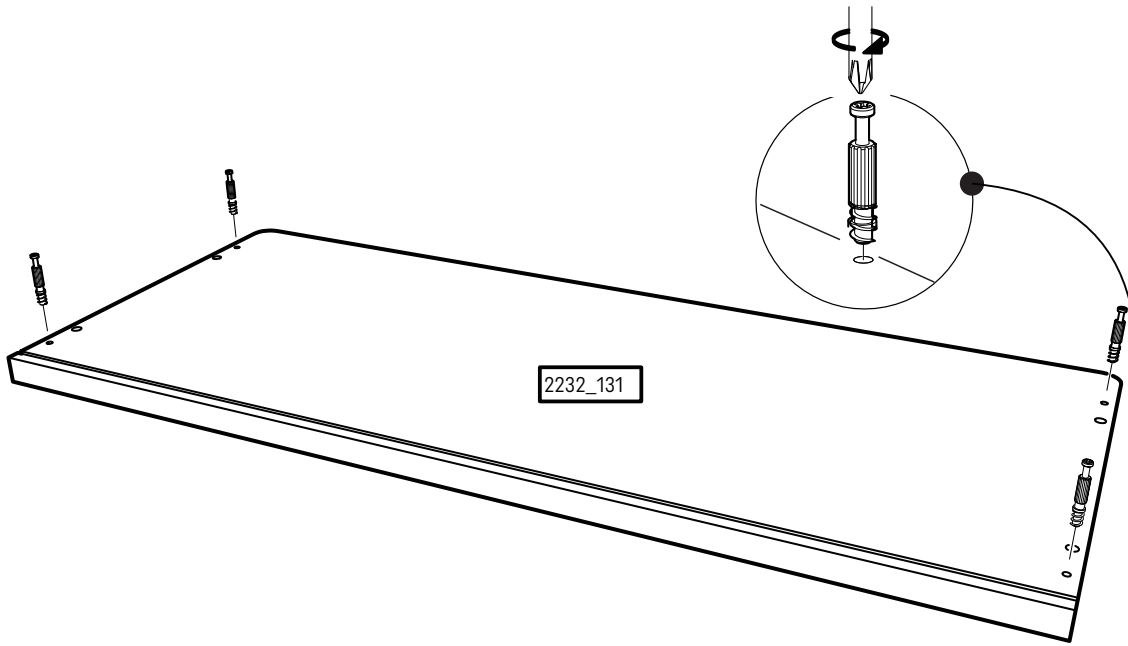
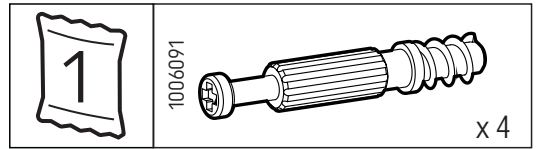
3



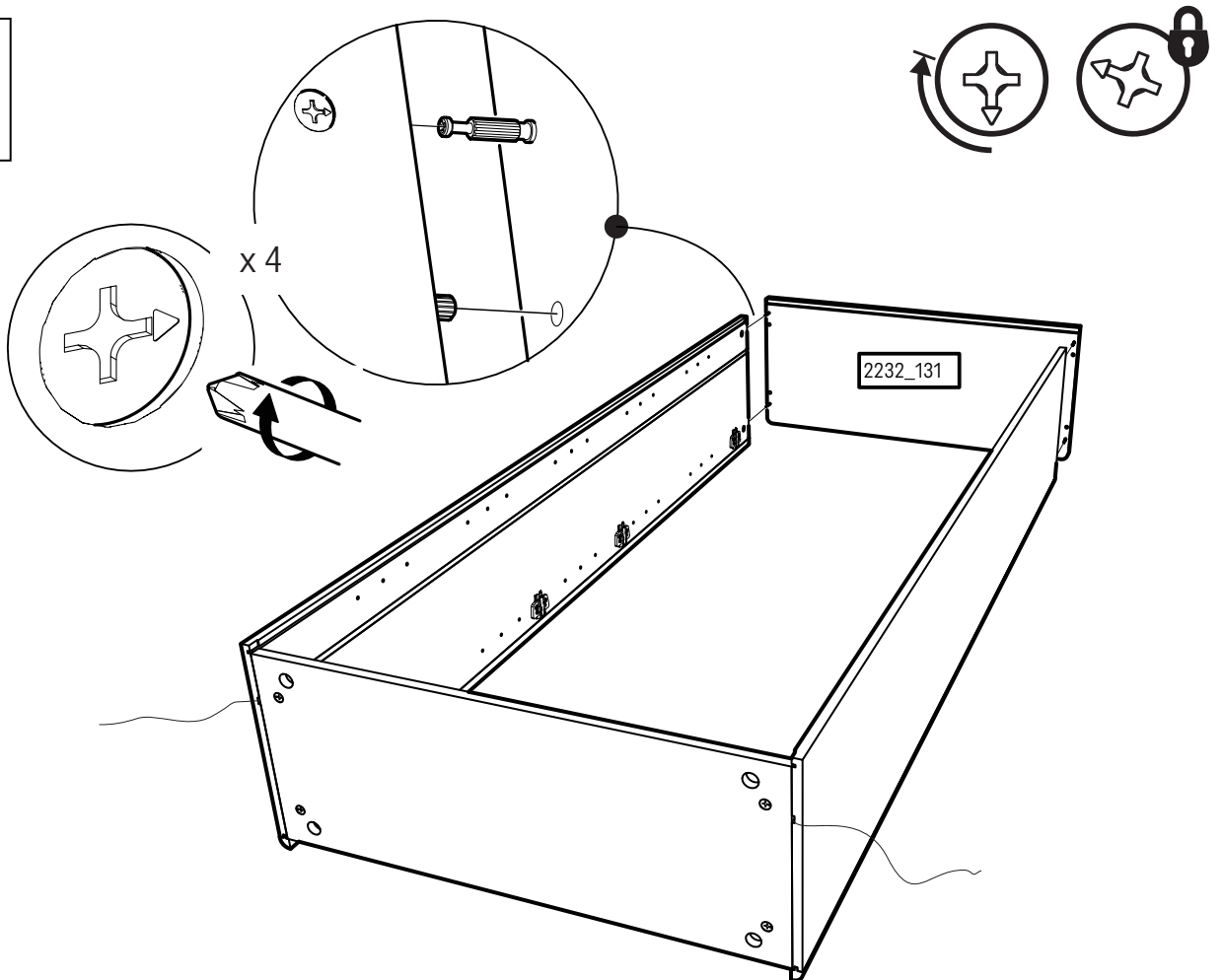
4




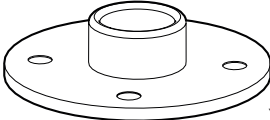

5

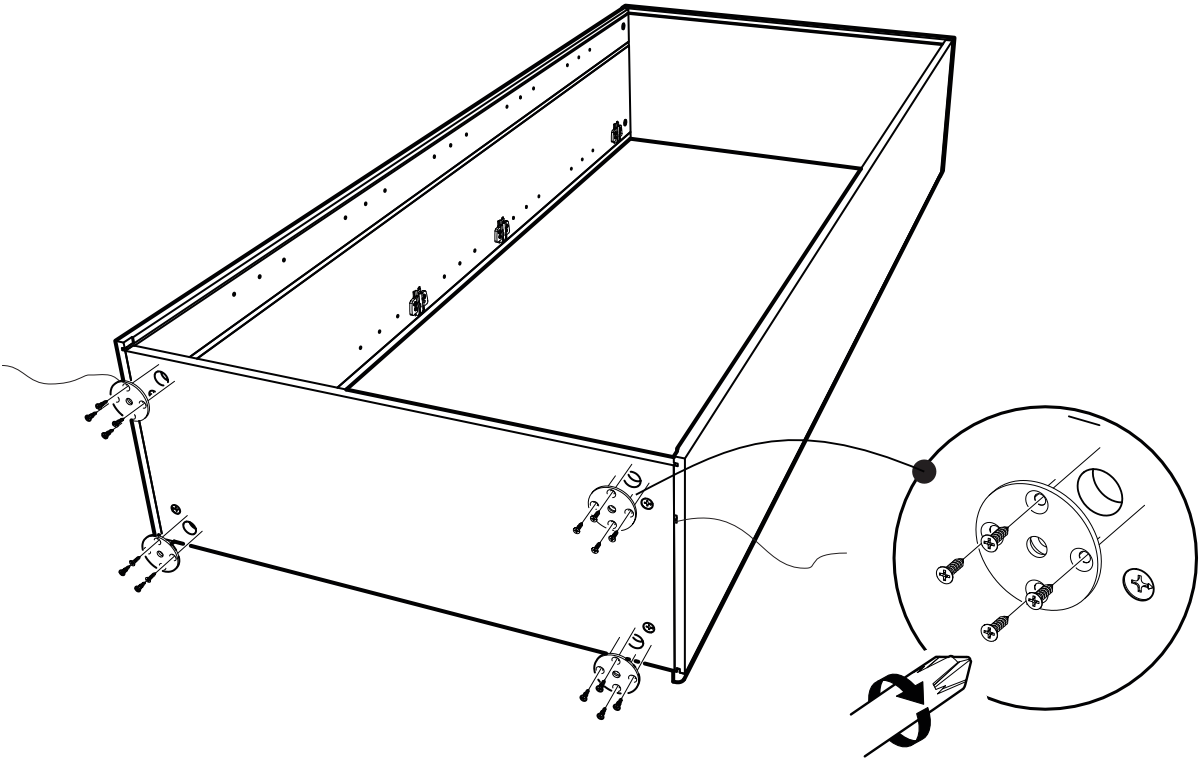


6





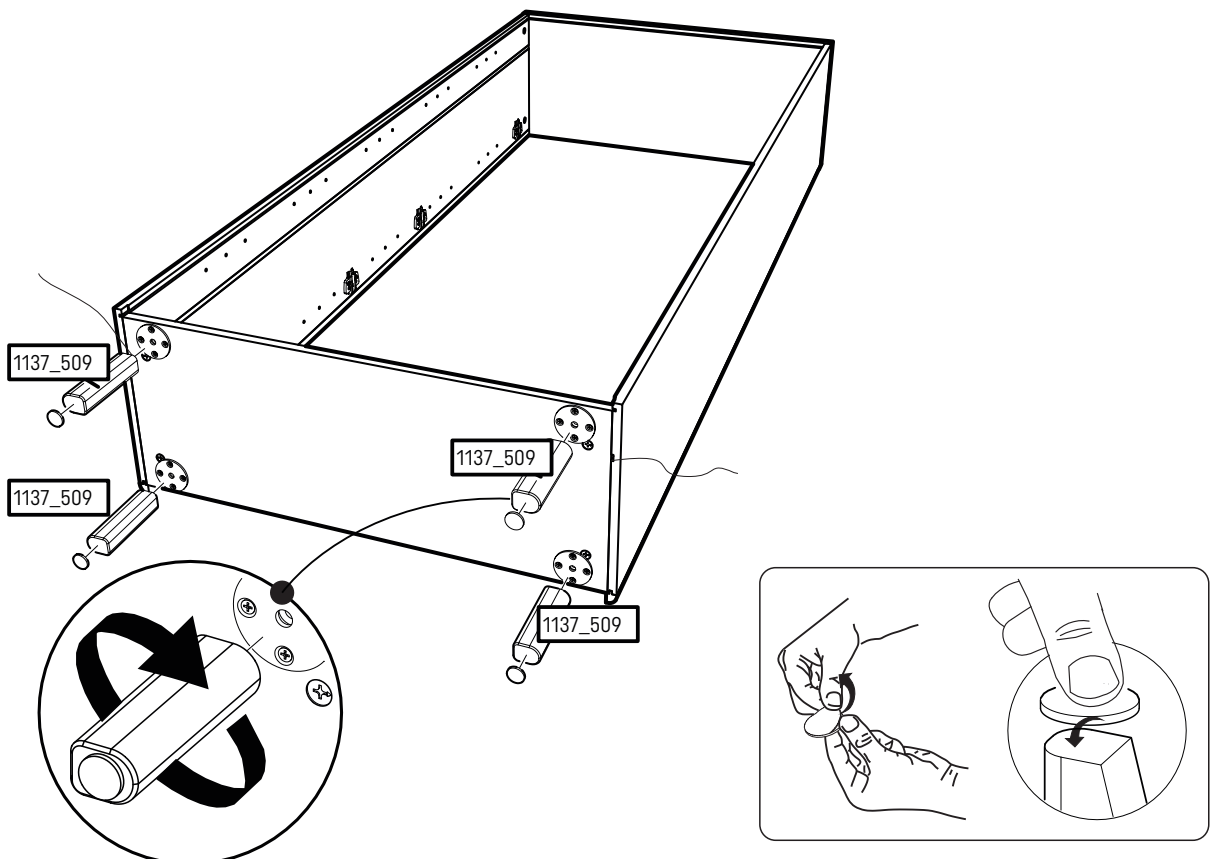
7

 <p>1</p>	1101311  <p>x 4</p>	1005681  <p>x 16</p>
--	--	--

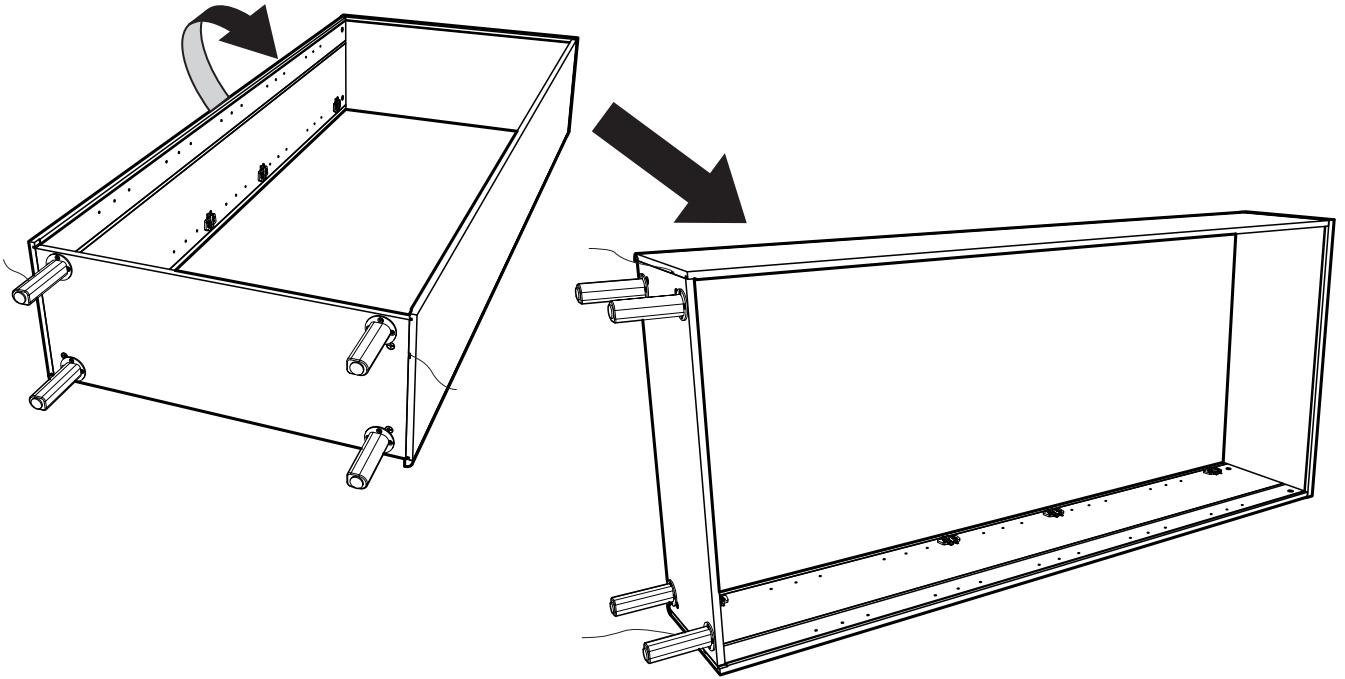
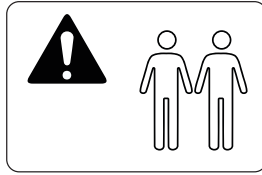


8

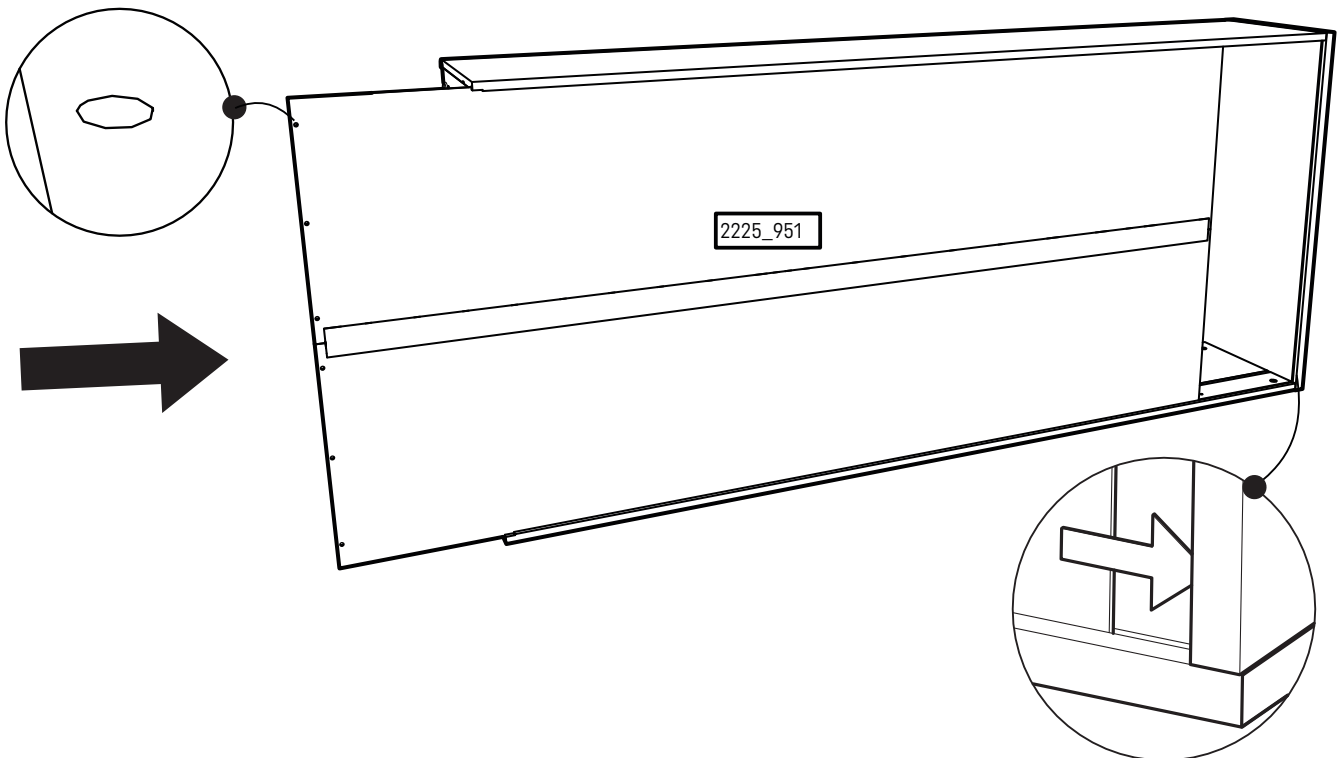
 <p>2</p>	1120368  <p>x 4</p>
---	---



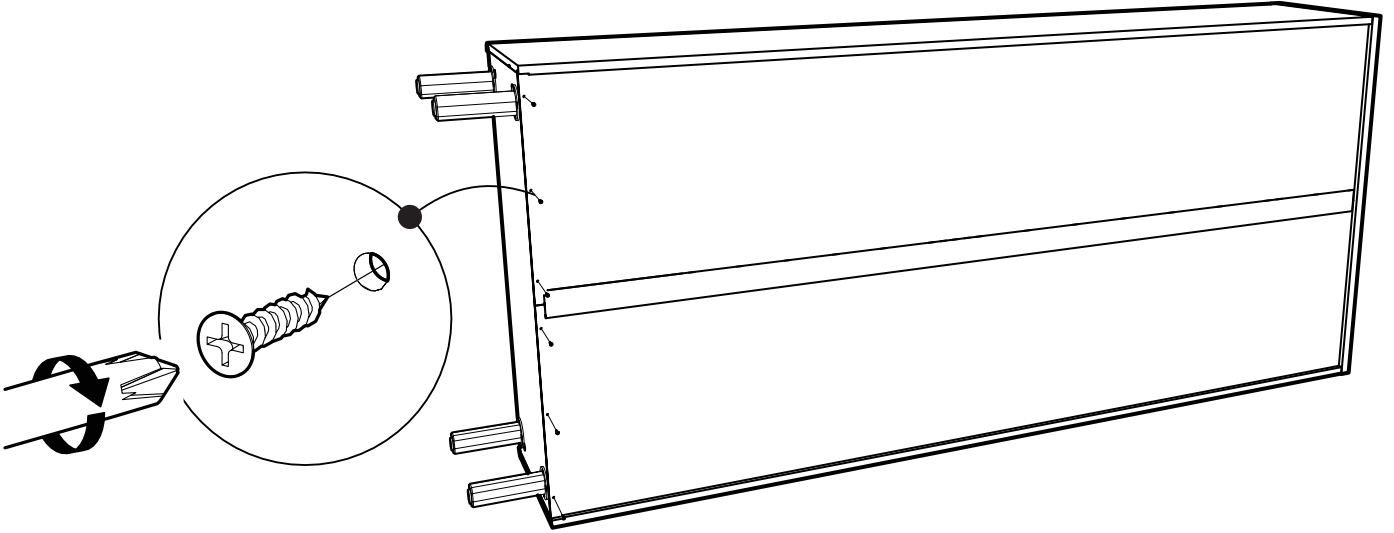
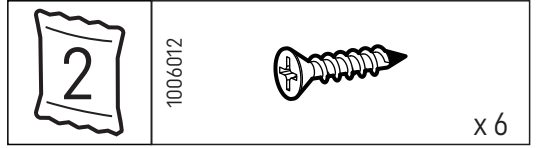
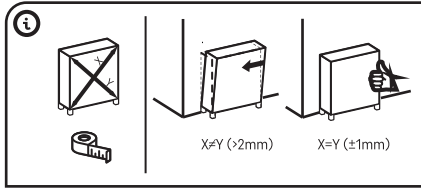
9



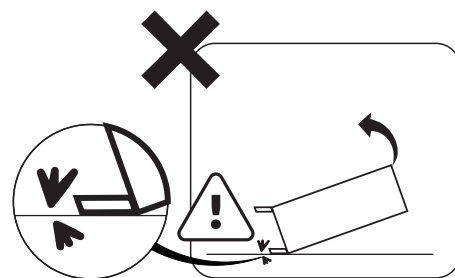
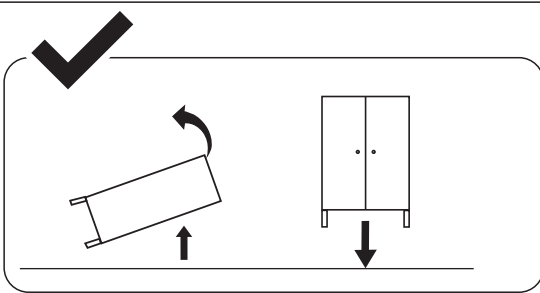
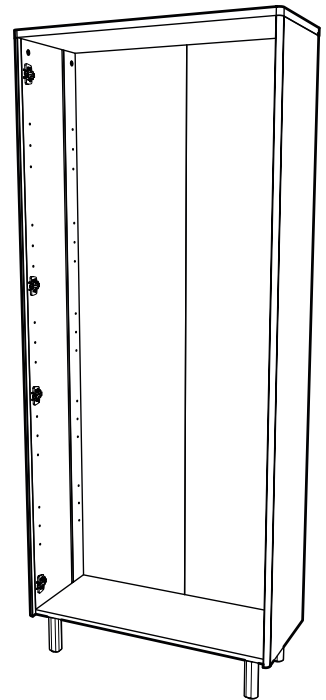
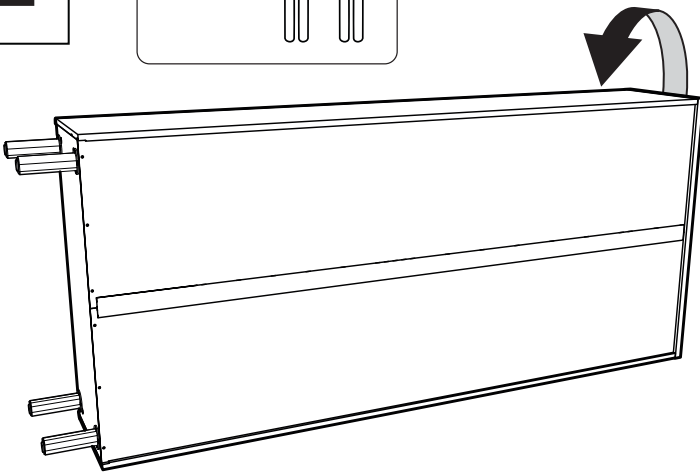
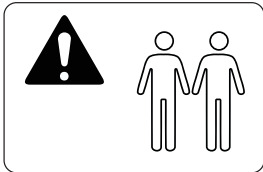
10



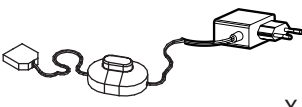


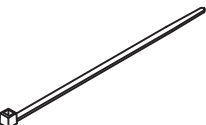
11

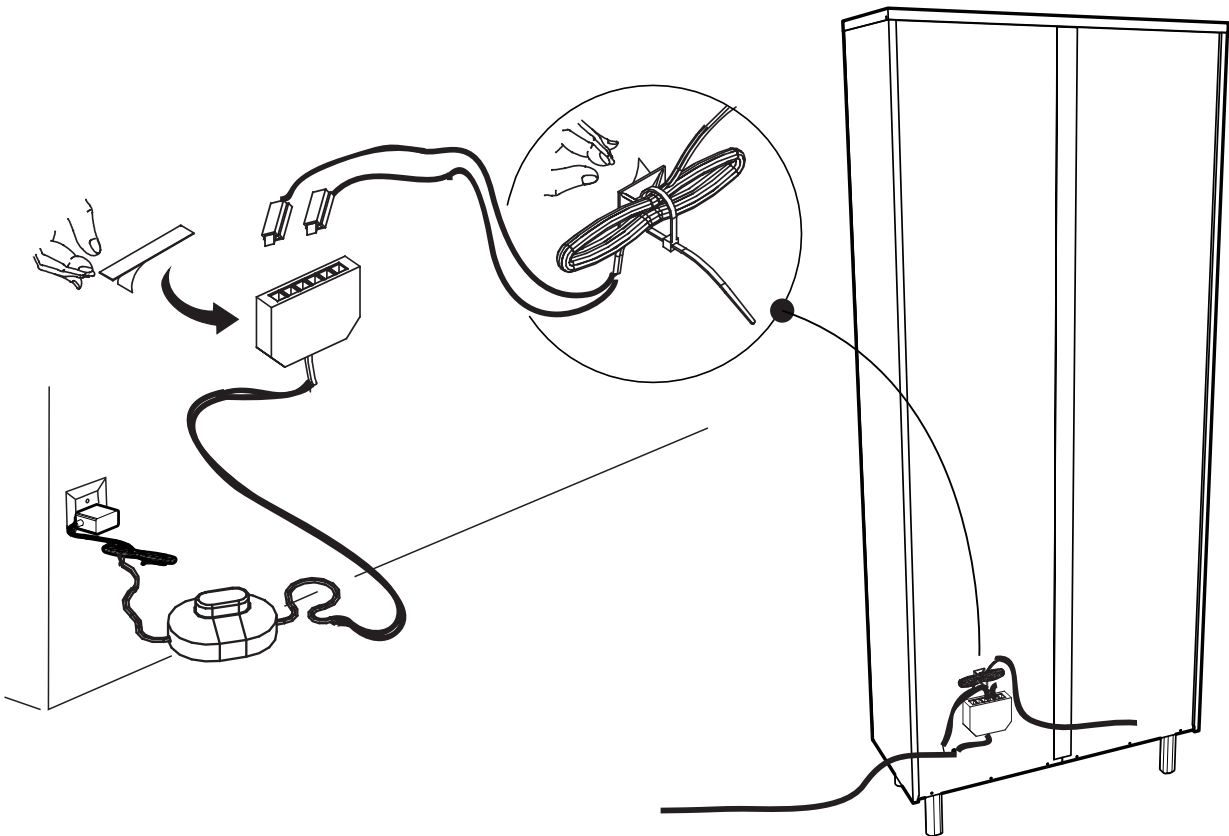
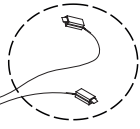
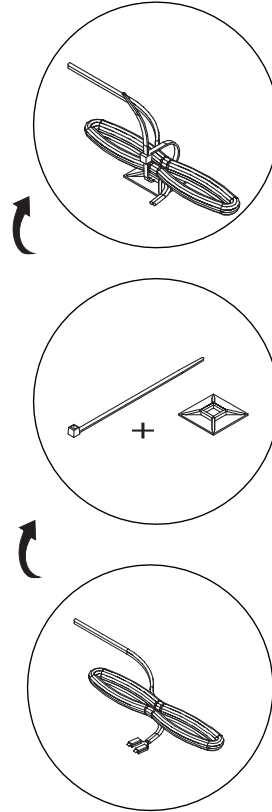
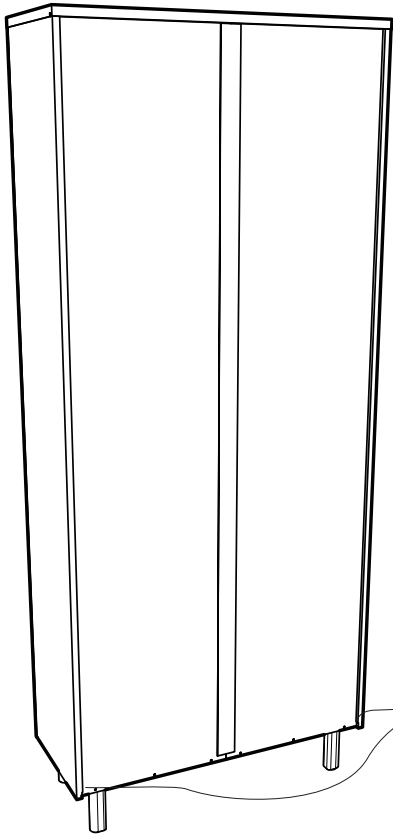


12


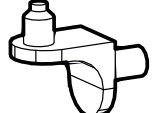


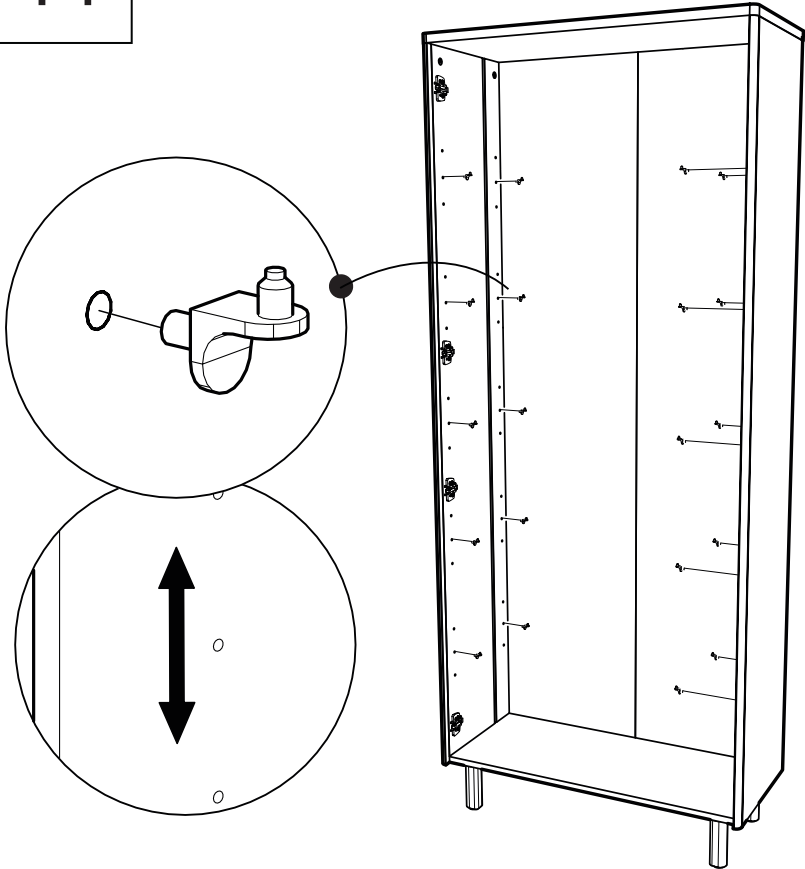
13

2	1137666  x1	1008287  x1
1000600  x1	1008286  x1	

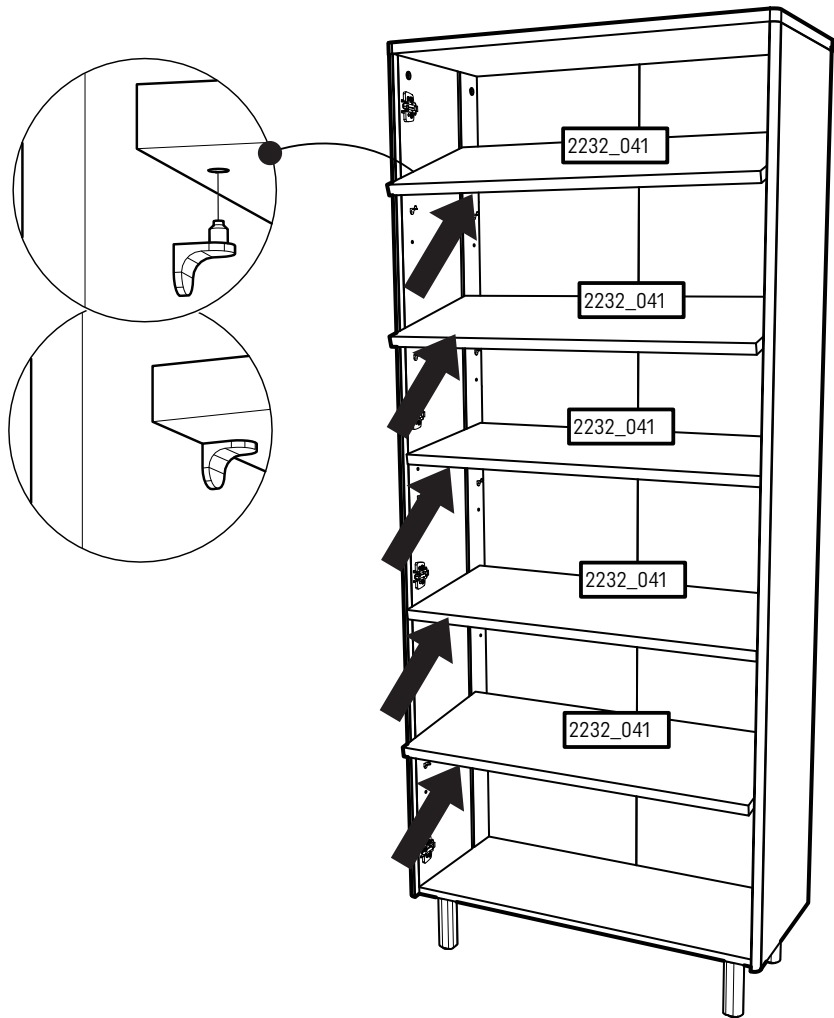


14



	1001262		x 20
--	---------	---	------

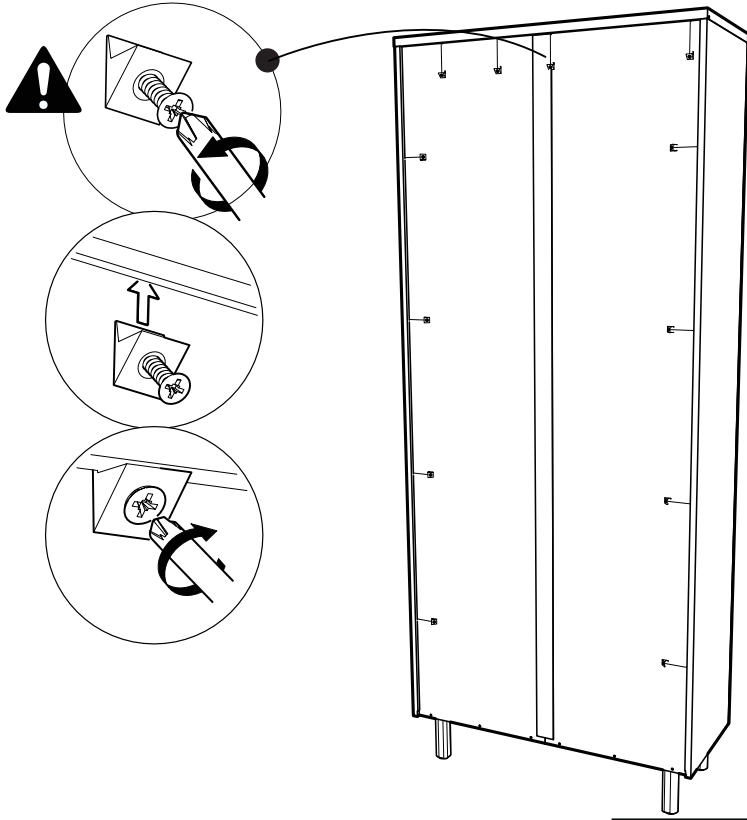


15





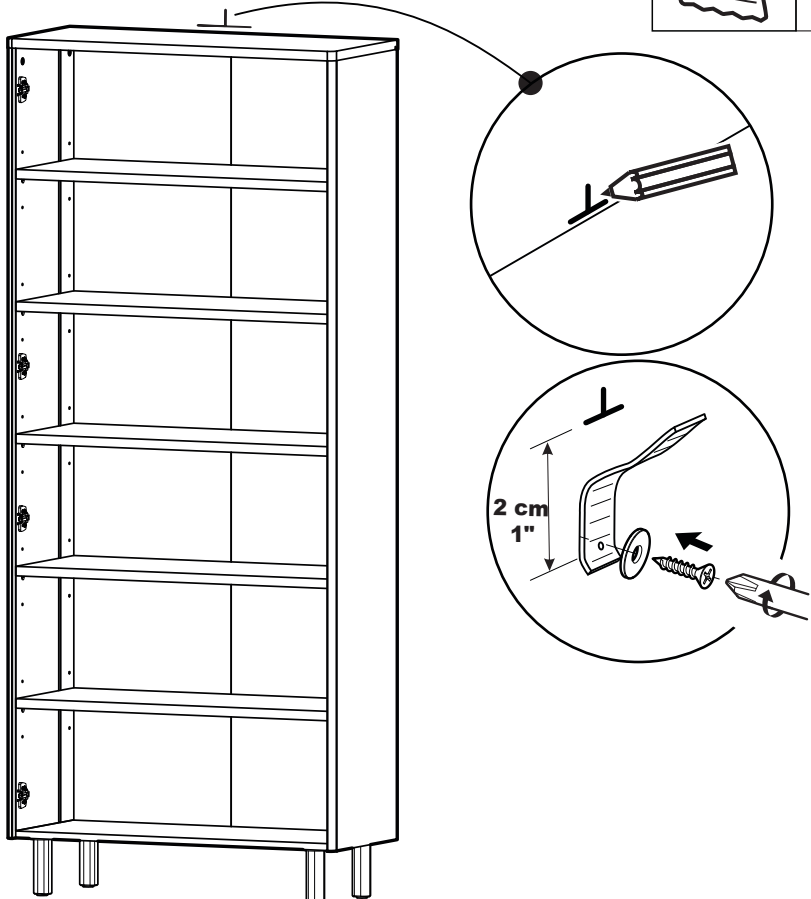
16

	1006022		x 12
--	---------	---	------

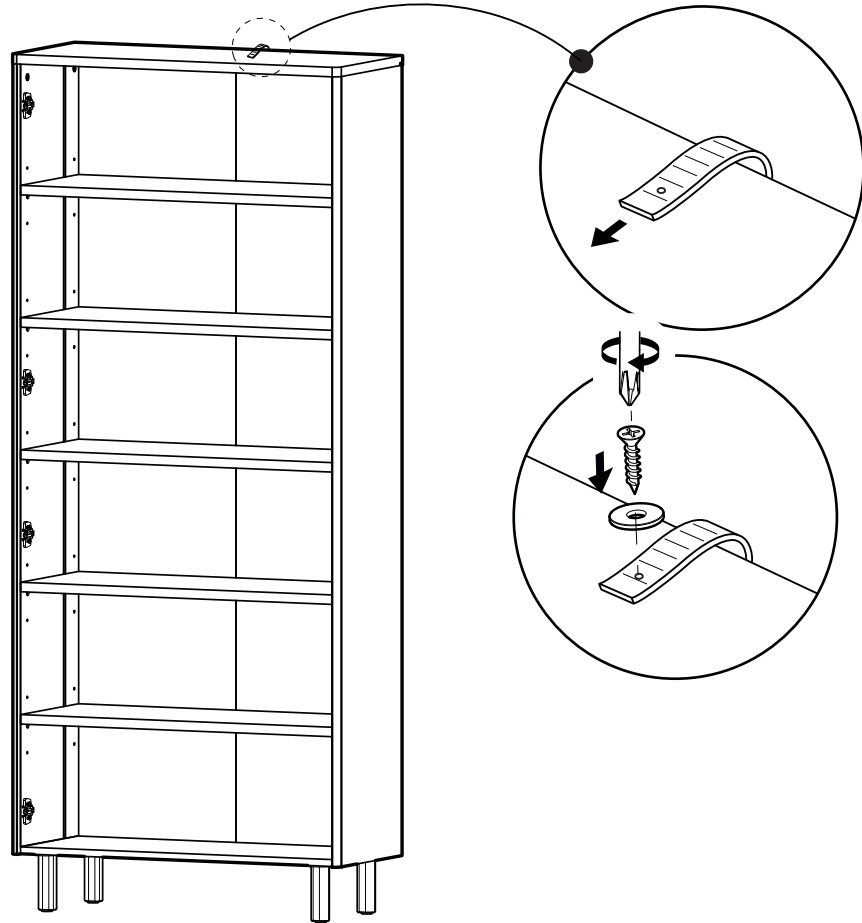


17

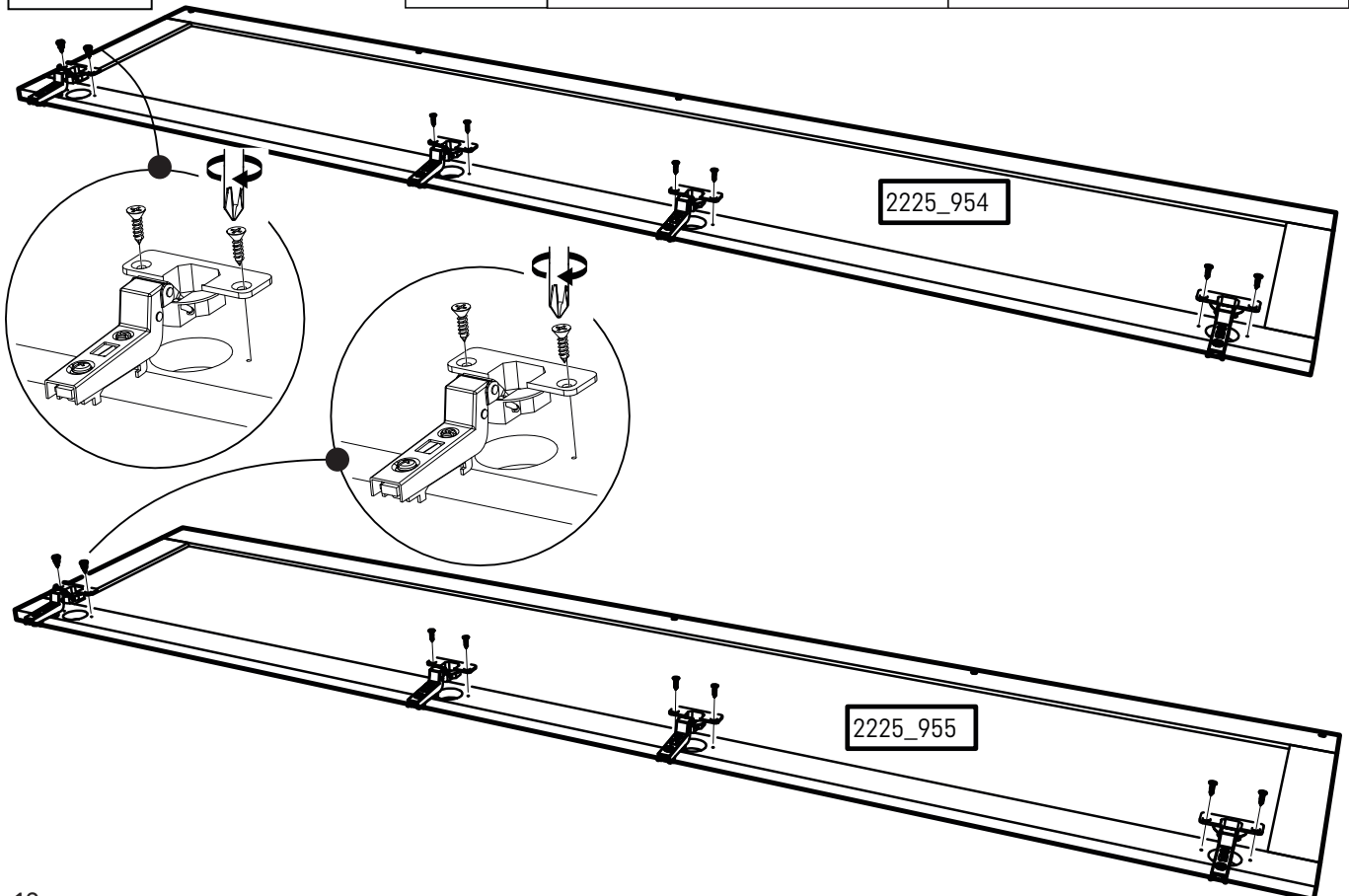
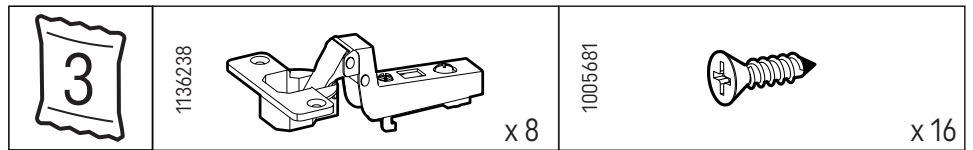
	1000893		x 1
--	---------	---	-----



18



19



20

