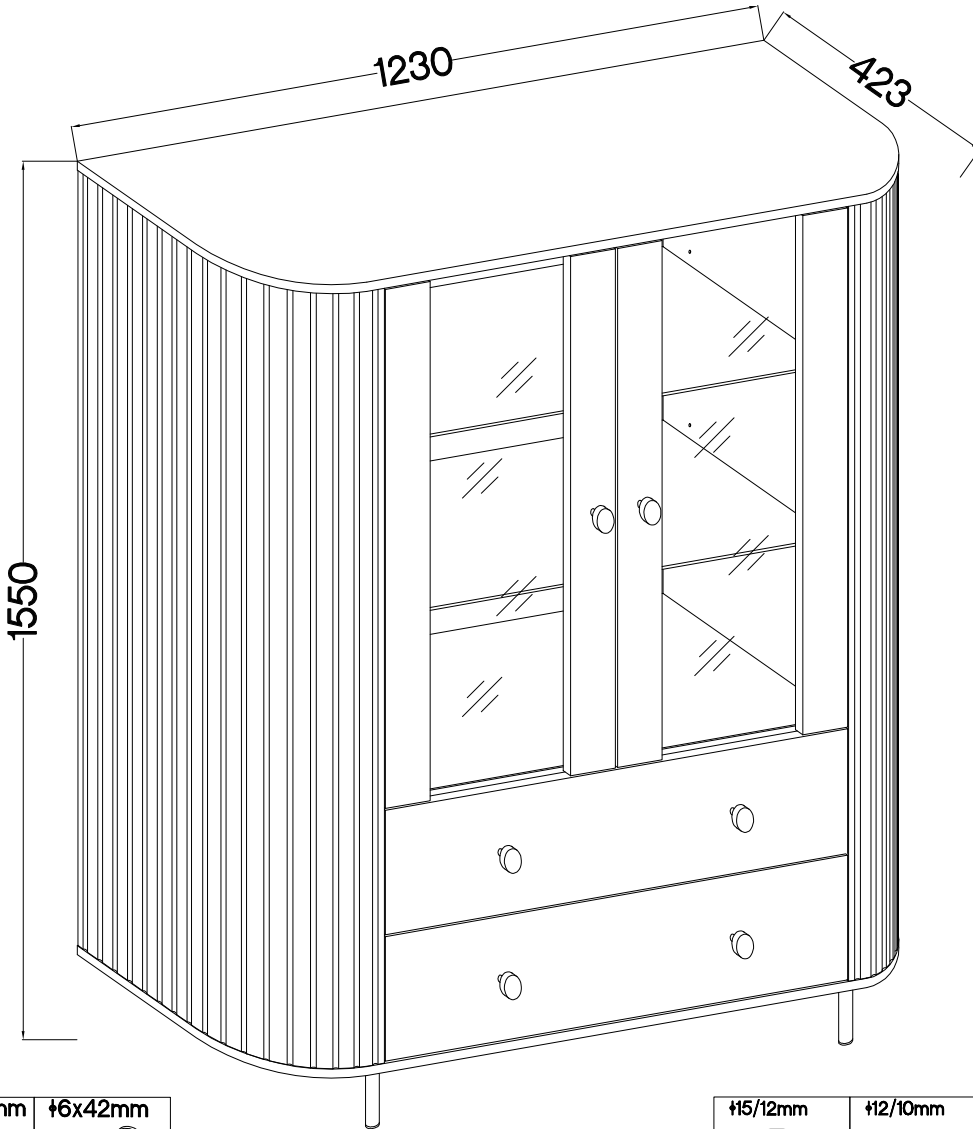
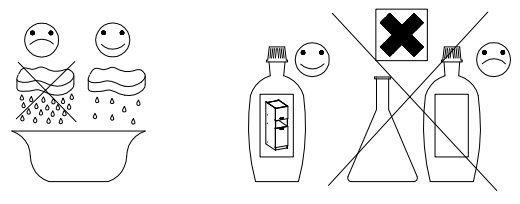
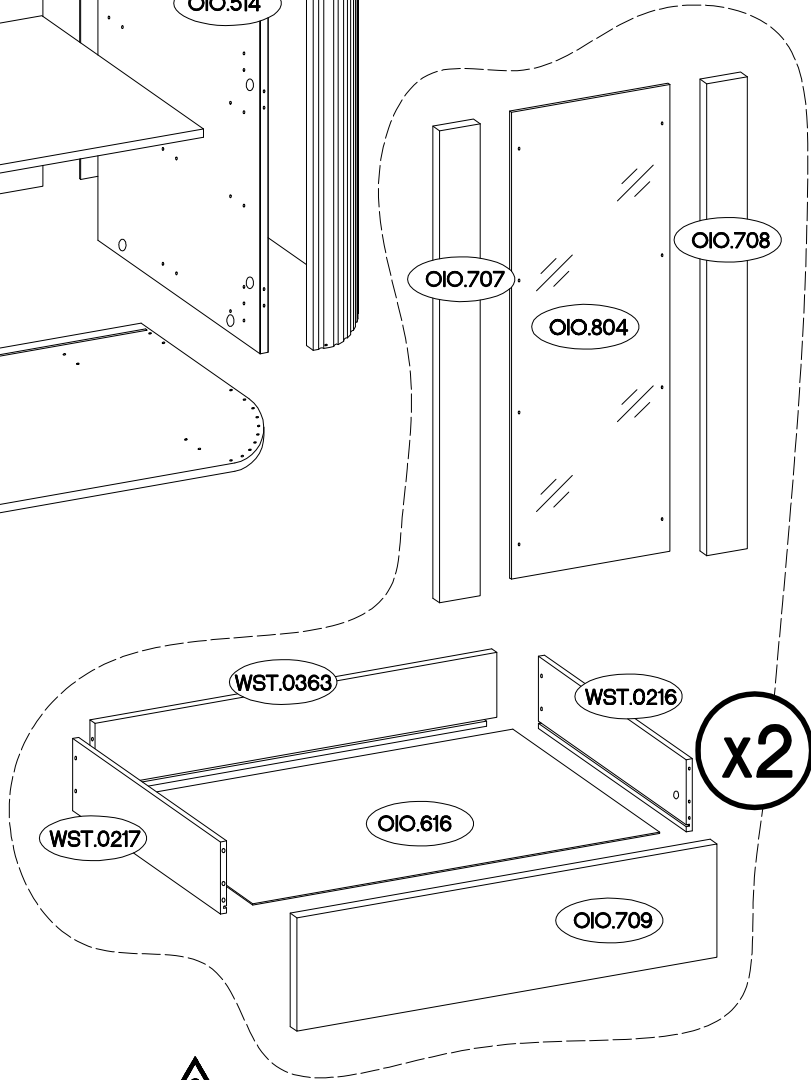
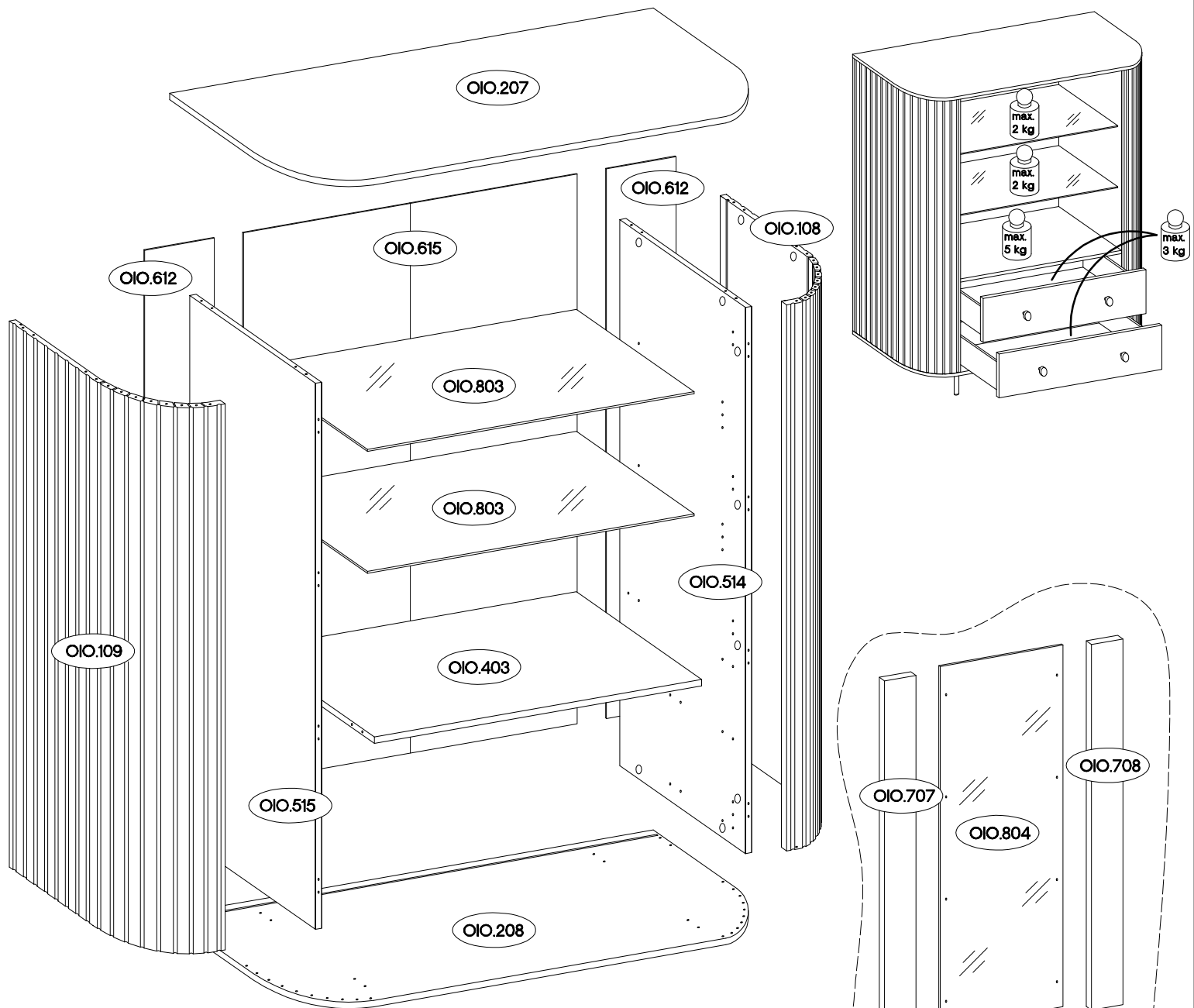


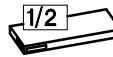
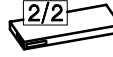
TYP 122

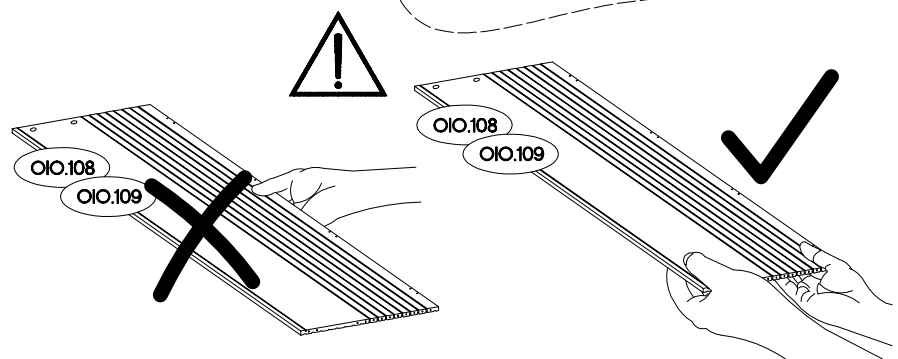


 †8x30mm A 68	 6,4 x 50mm B 4	 †6x42mm B2 8	 †15/12mm C 24	 †12/10mm C5 4	 L=20mm D2 28	 †20 E11 10				
 L=150mm F40 4	 †35/16mm [CD] HG2 6	 L=350mm [L] [R] I8 2	 †5/16mm J3 2	 †7/4mm J7 16	 J12 8	 L=350 mm K49 2	 L 26	 L2 20		
 L9 1	 †6.3x13mm M2 16	 O 1	 †10x50mm O7 1	 O1 1	 †4.0x16mm P1 16	 †3.5x13mm P5 17	 †3.0x20mm P7 30	 †4.0x16mm R11 16	 S 6	 M4x22mm U 6


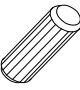
ISM-OIO-009

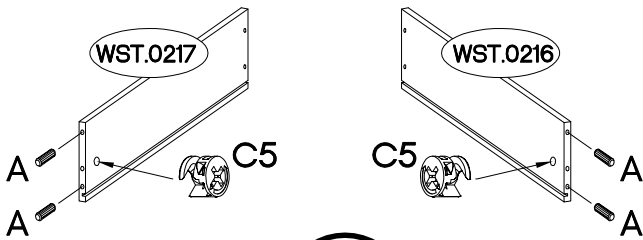
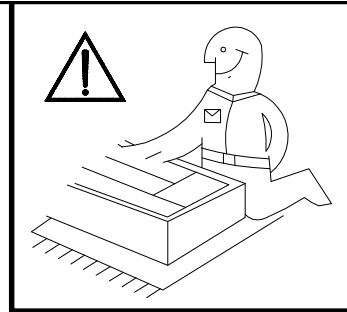
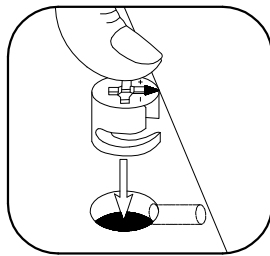


	Ersatzteil Nummer	Dimension
	OIO.207	1230x423x16
	OIO.208	1230x423x16
	OIO.403	832x383x16
	OIO.803 x2	831x360x5
	OIO.616 x2	803x348x2,5
	WST.0216 x2	350x140x12
	WST.0217 x2	350x140x12
	WST.0363 x2	792x140x12
	OIO.709 x2	220x828x16
	OIO.707 x2	916x80x16
	OIO.514	1368x384x16
	OIO.515	1368x384x16
	OIO.612 x2	1377x177x2,5
	OIO.615	1377x849x2,5
	OIO.804 x2	906x312x4
	OIO.108	1368x544x16
	OIO.109	1368x544x16

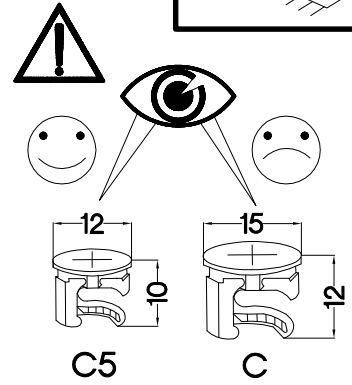


1


<p>±12/10mm</p>  <p>C5</p> <p>4</p>	<p>±8x30mm</p>  <p>A</p> <p>8</p>
---	---

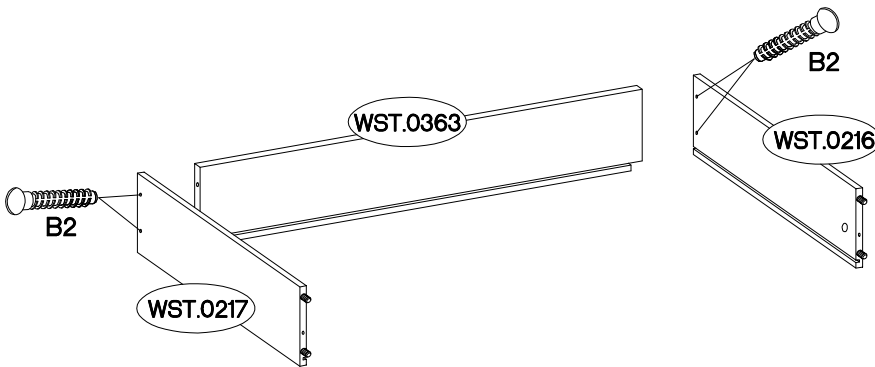
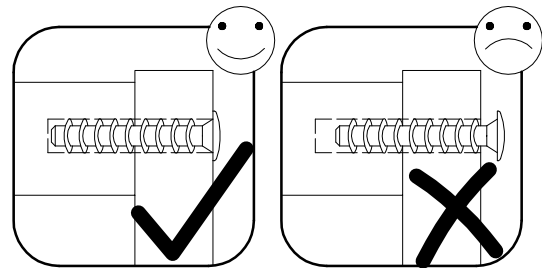


x2




2

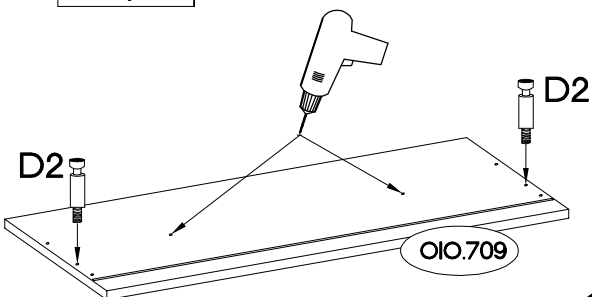
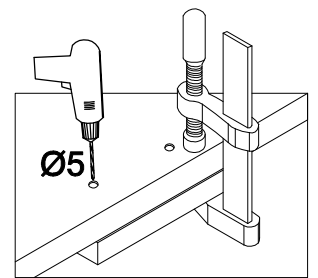
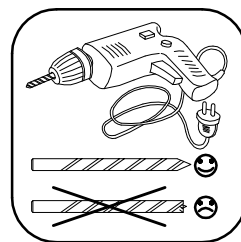
<p>±6x42mm</p>  <p>B2</p> <p>8</p>



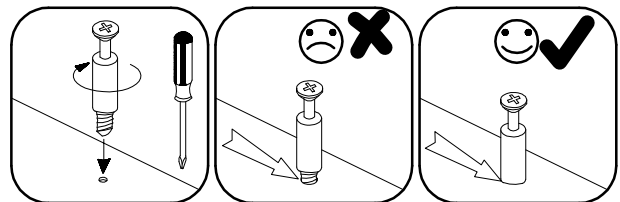
x2

3

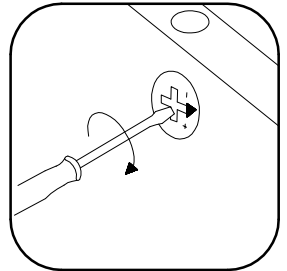
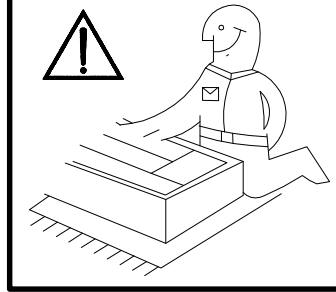
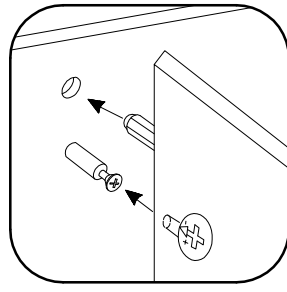
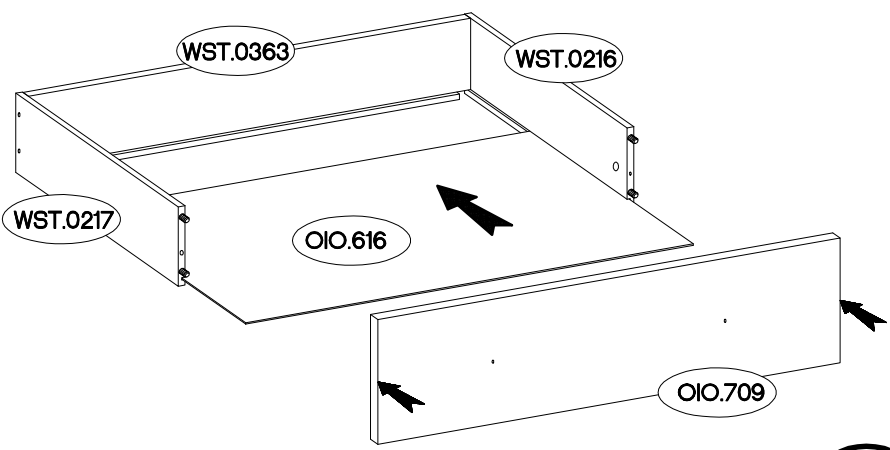
<p>L=20mm</p>  <p>D2</p> <p>4</p>
--



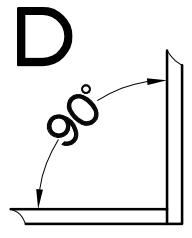
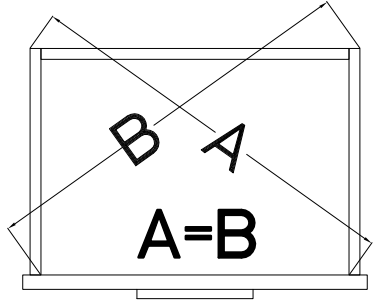
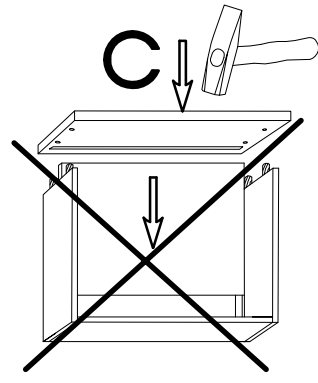
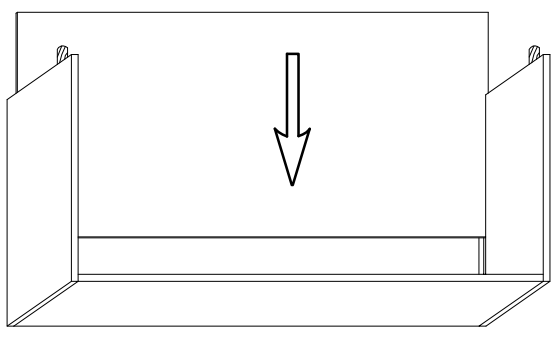
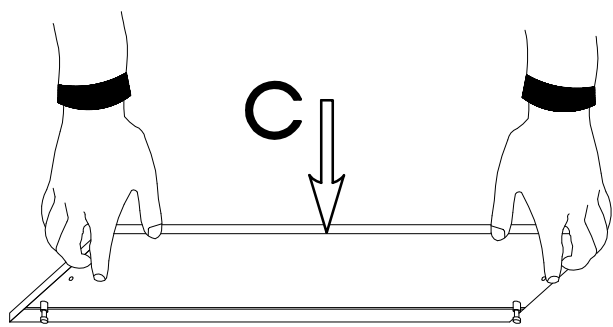
x2



4

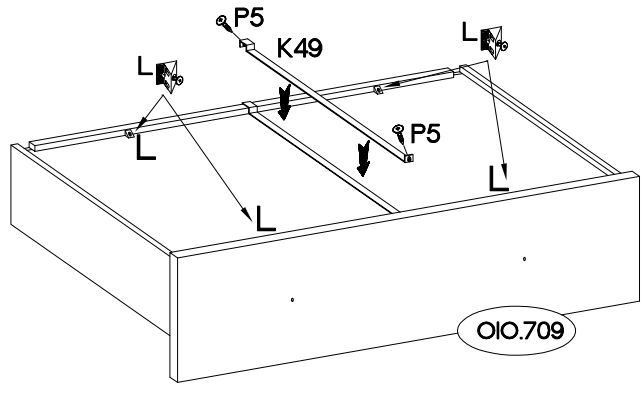
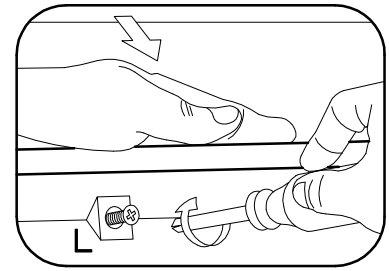
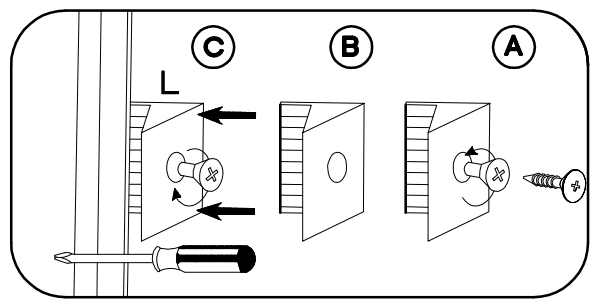


x2

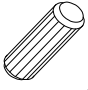




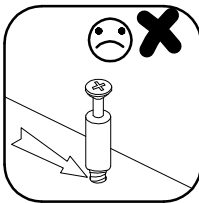
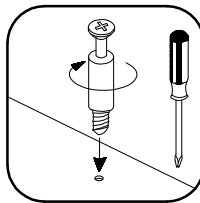
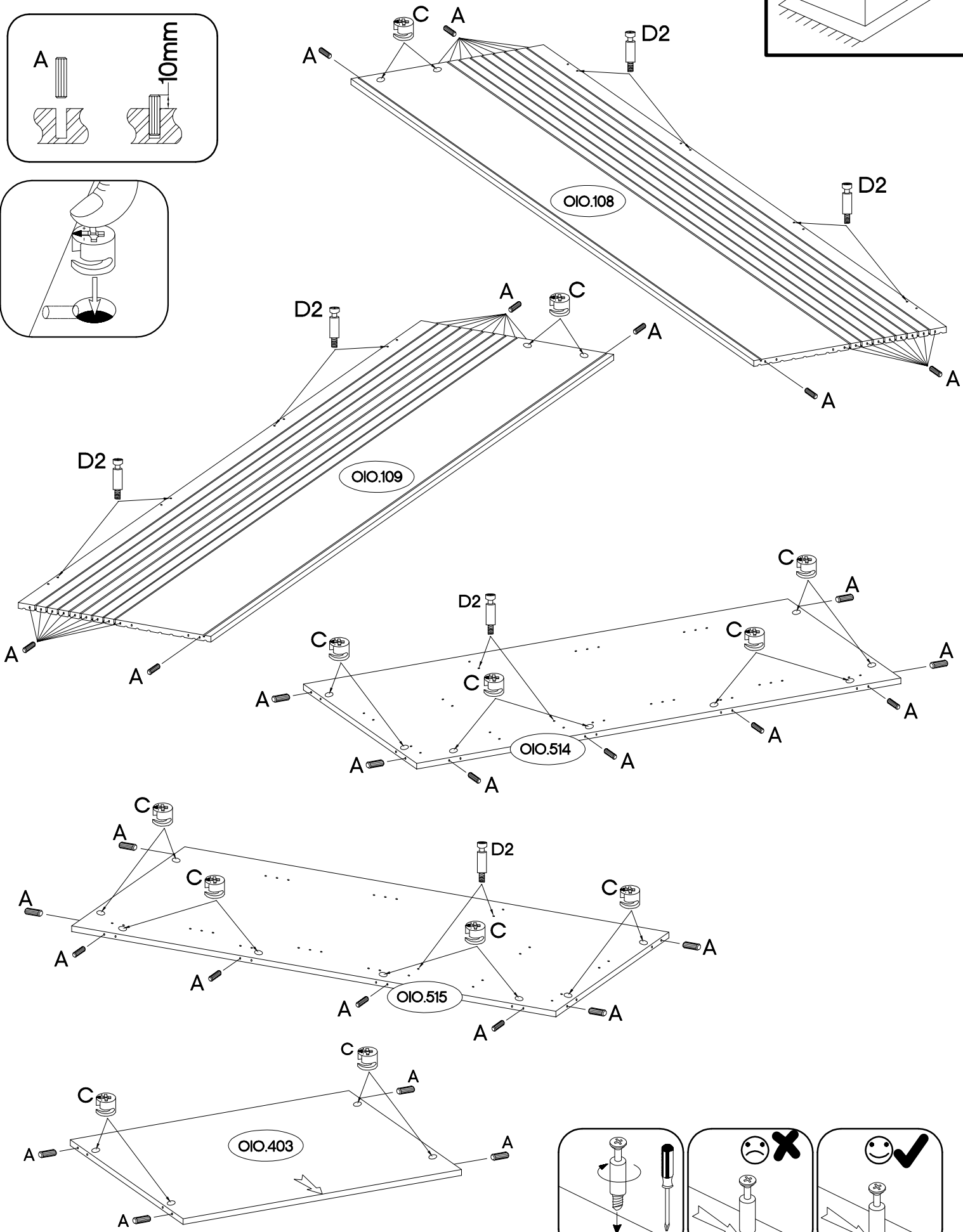
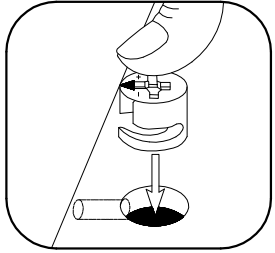
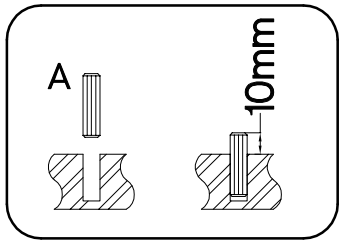
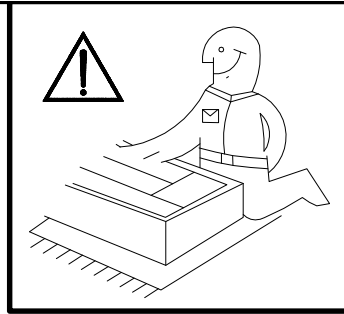
5





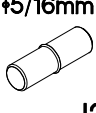
	L=350 mm		
L		K49	P5
8	2		4

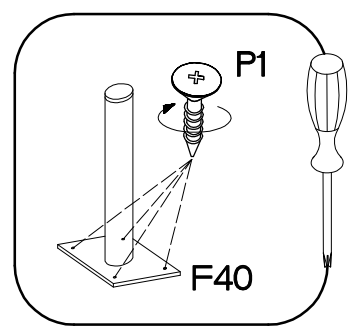
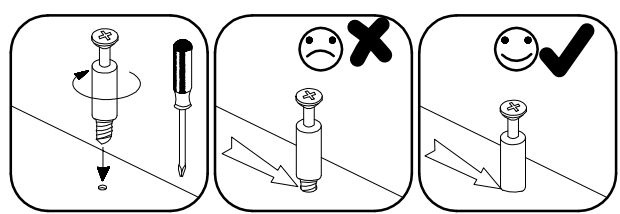
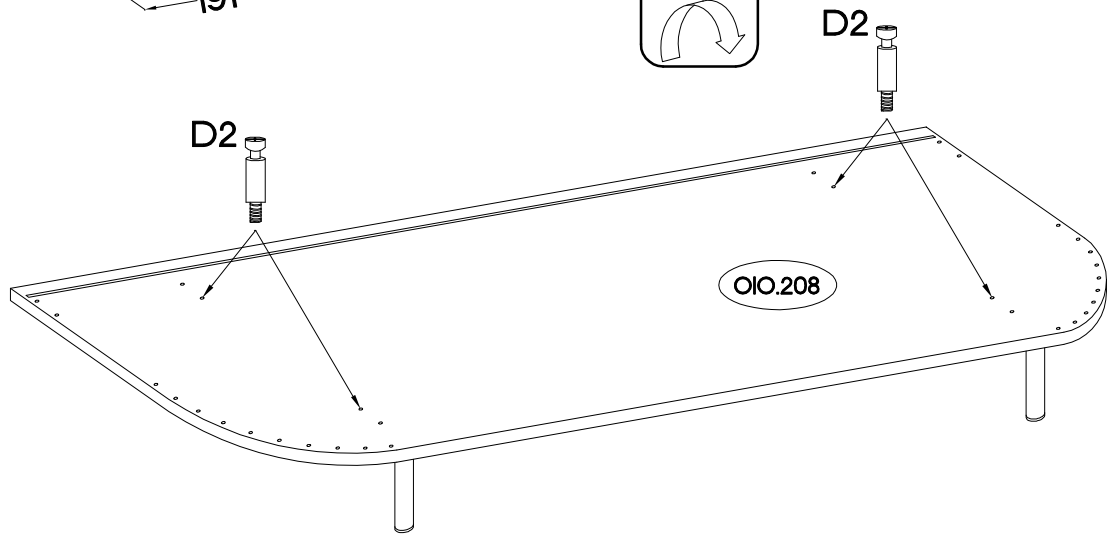
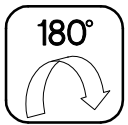
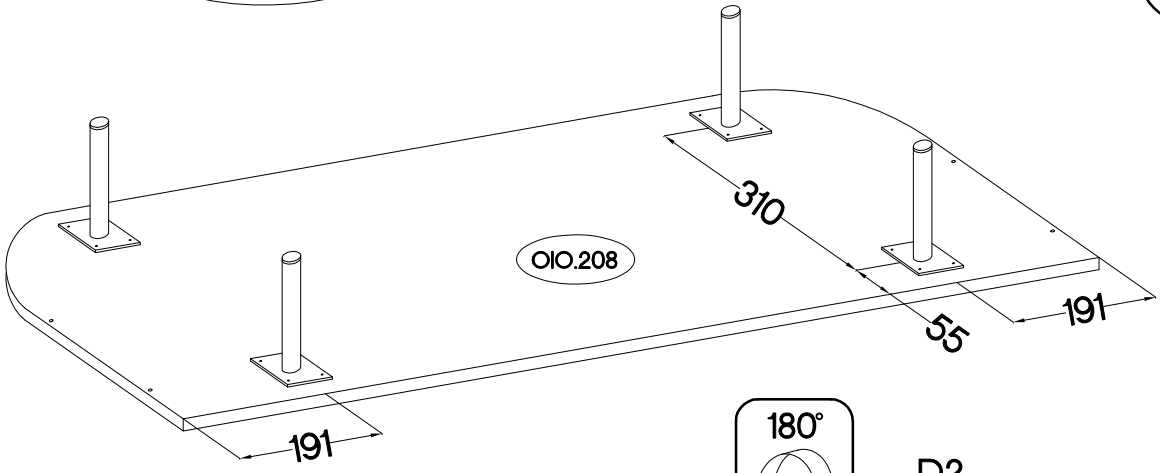
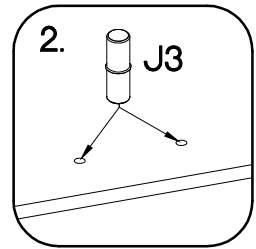
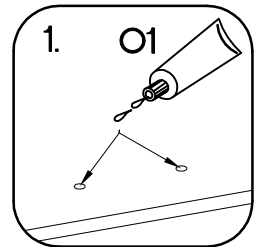
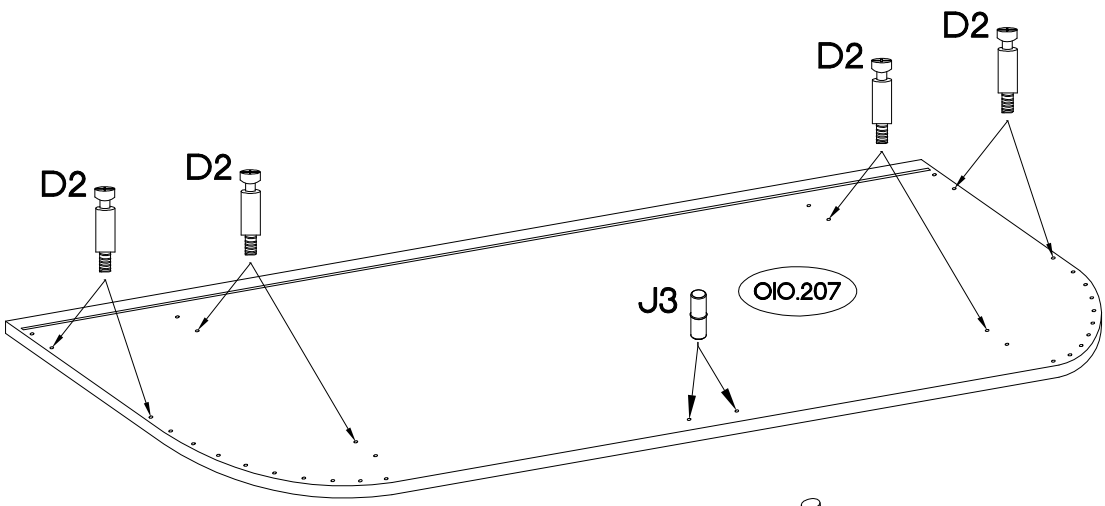
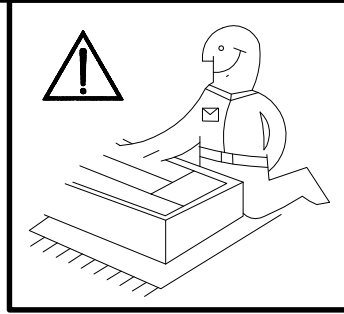


x2

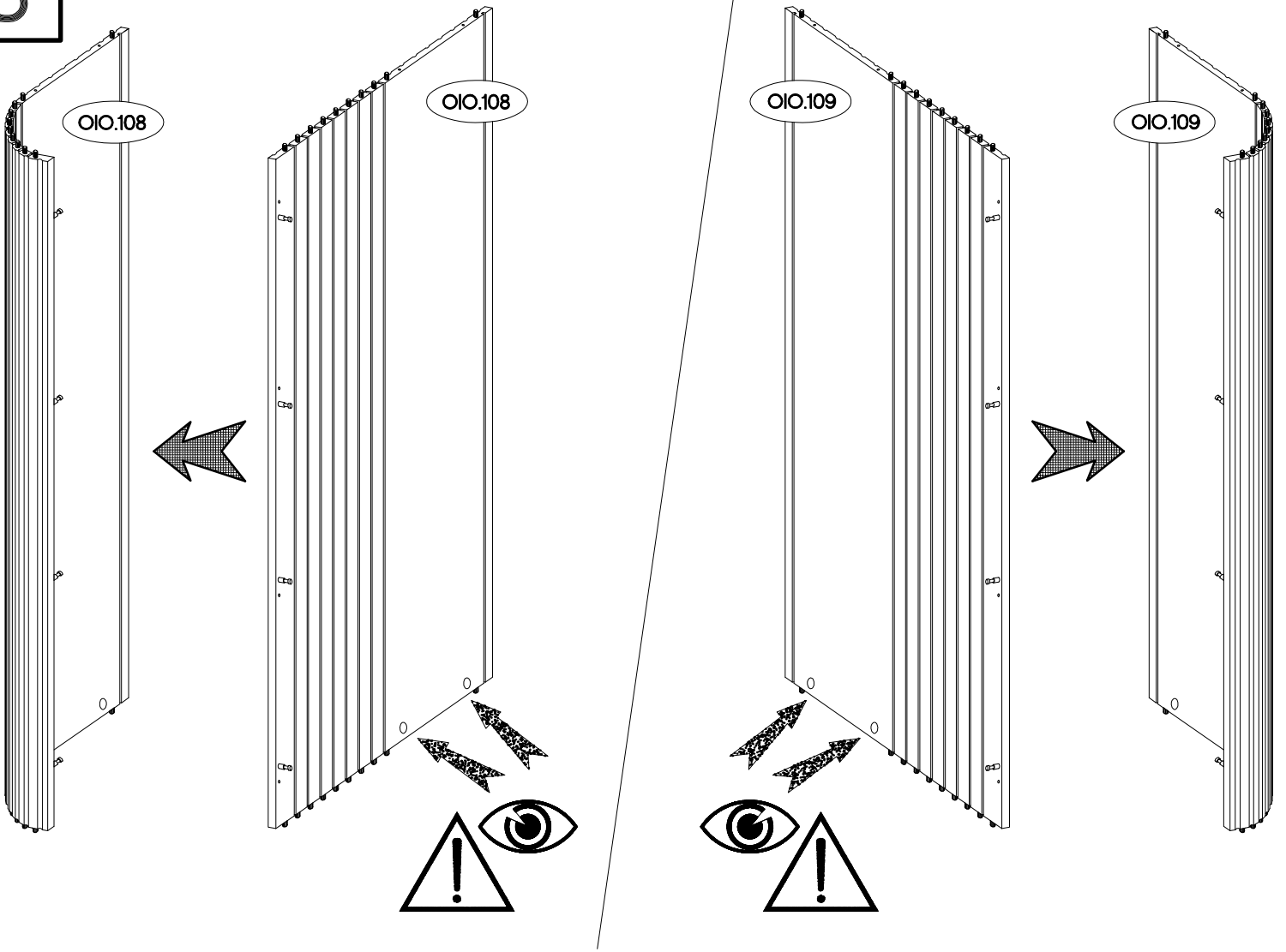
$\pm 8 \times 30 \text{mm}$  A 60	$\pm 15 / 12 \text{mm}$  C 24	L=20mm  D2 12
--	--	--



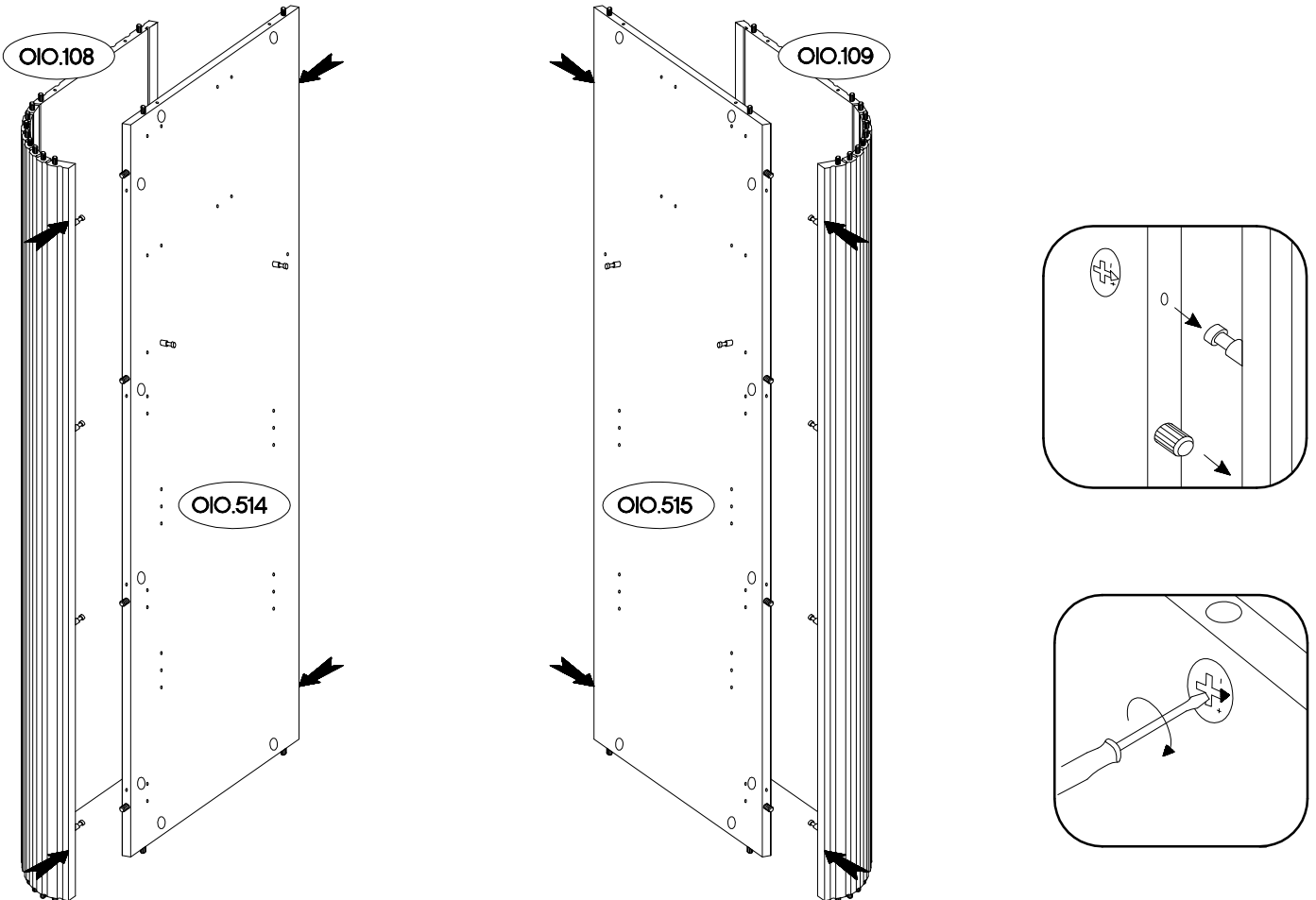
L=20mm  D2 12	L=150mm  F40 4	±4.0x16mm  P1 16	 O1 1	±5/16mm  J3 2
--	---	---	---	--



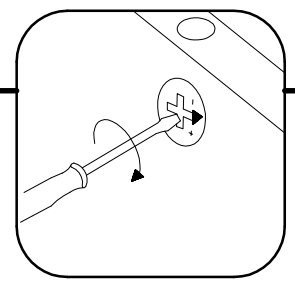
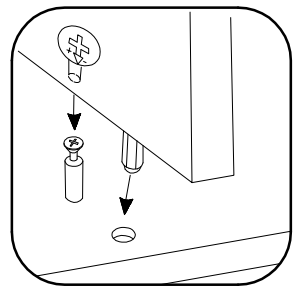
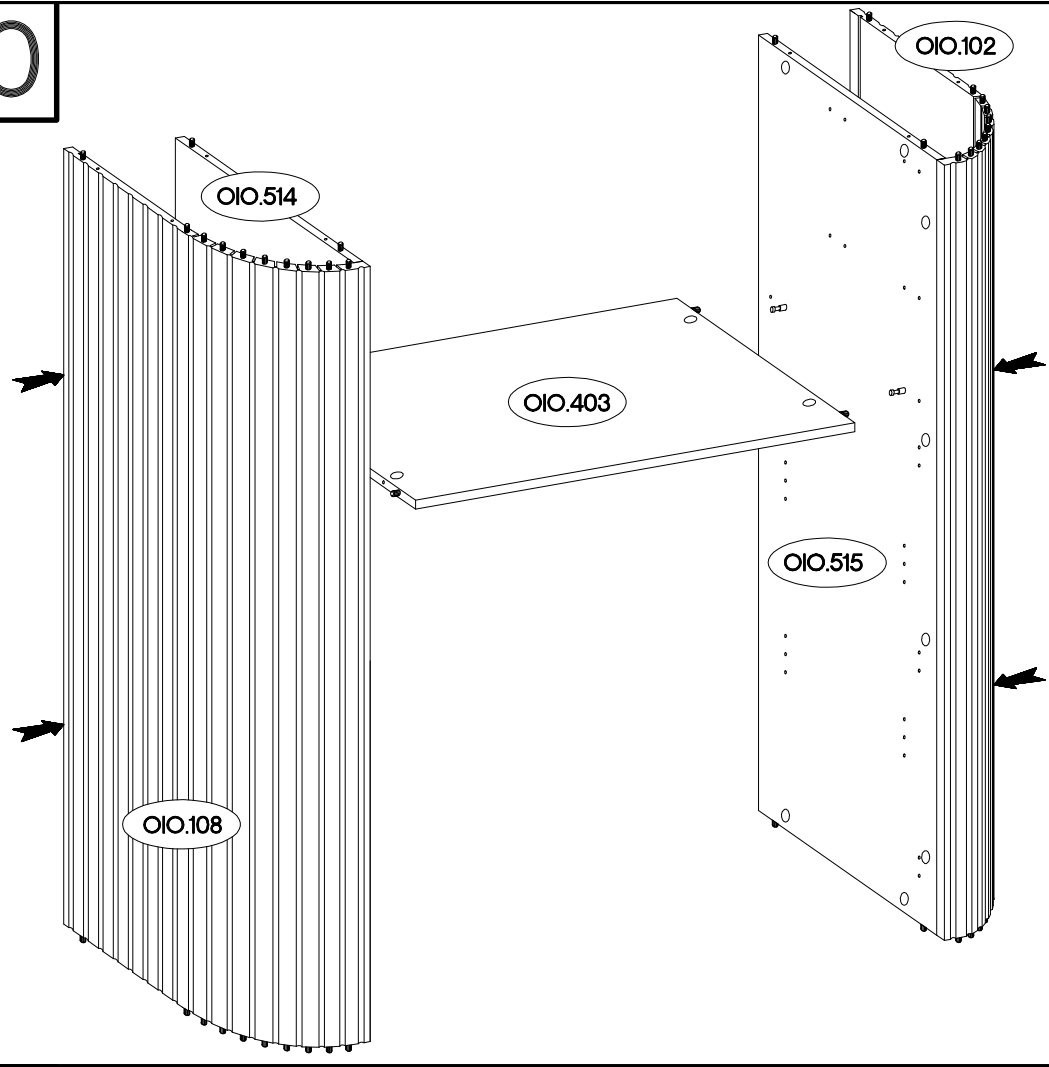
8



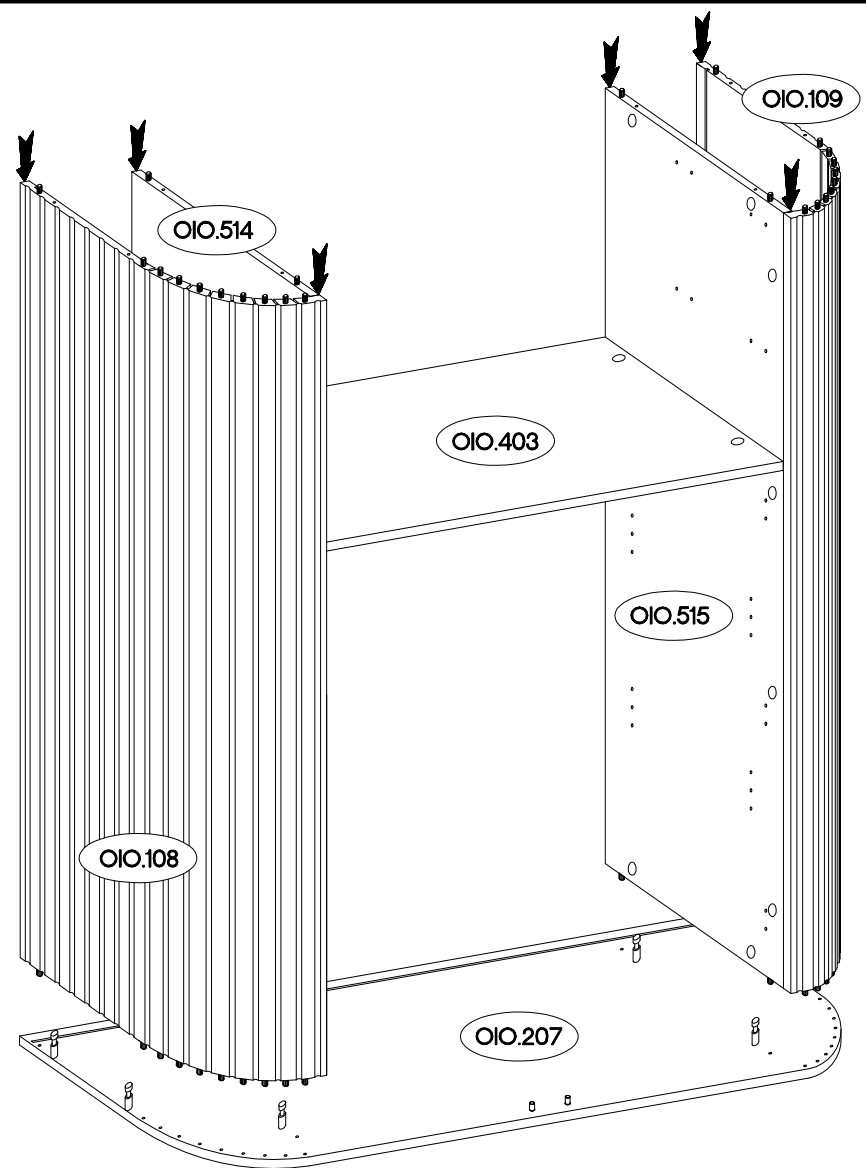
9

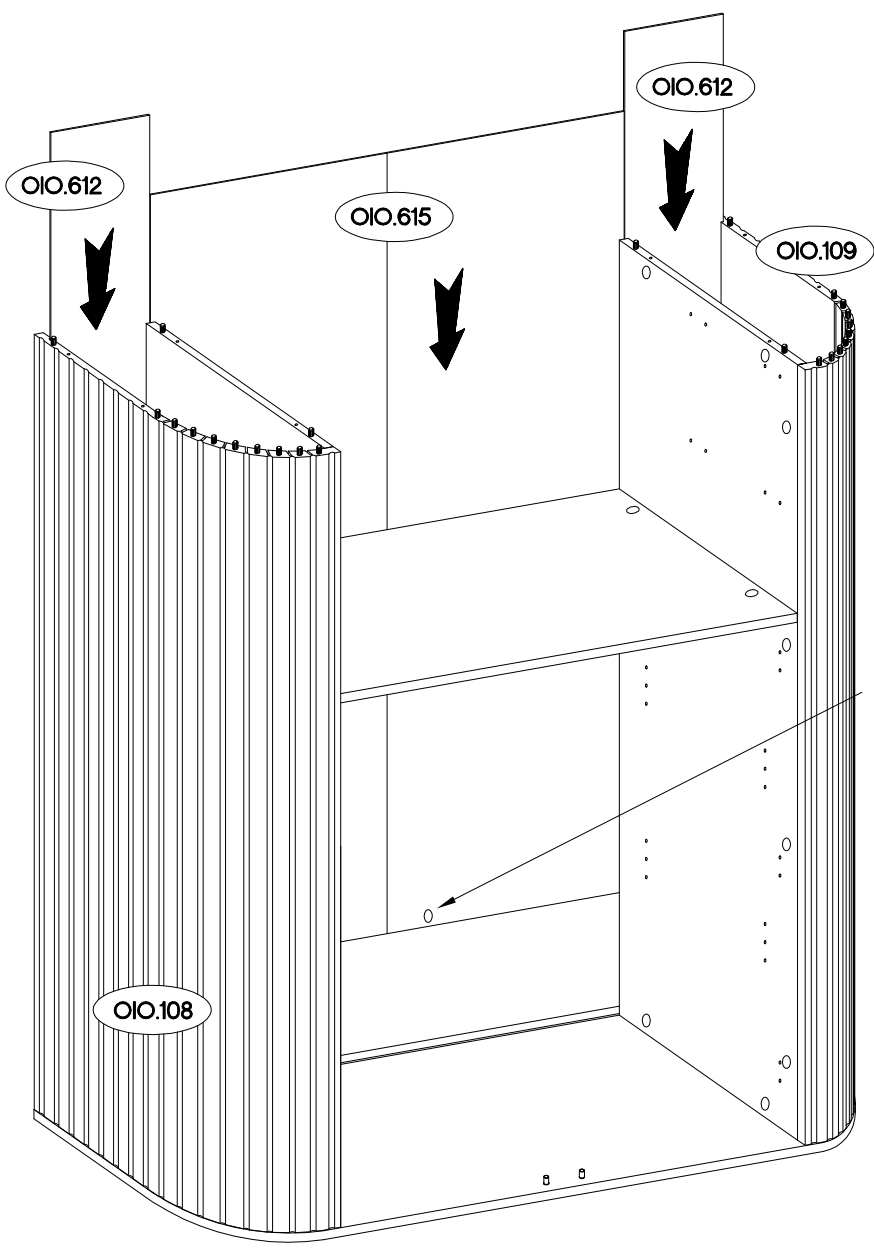
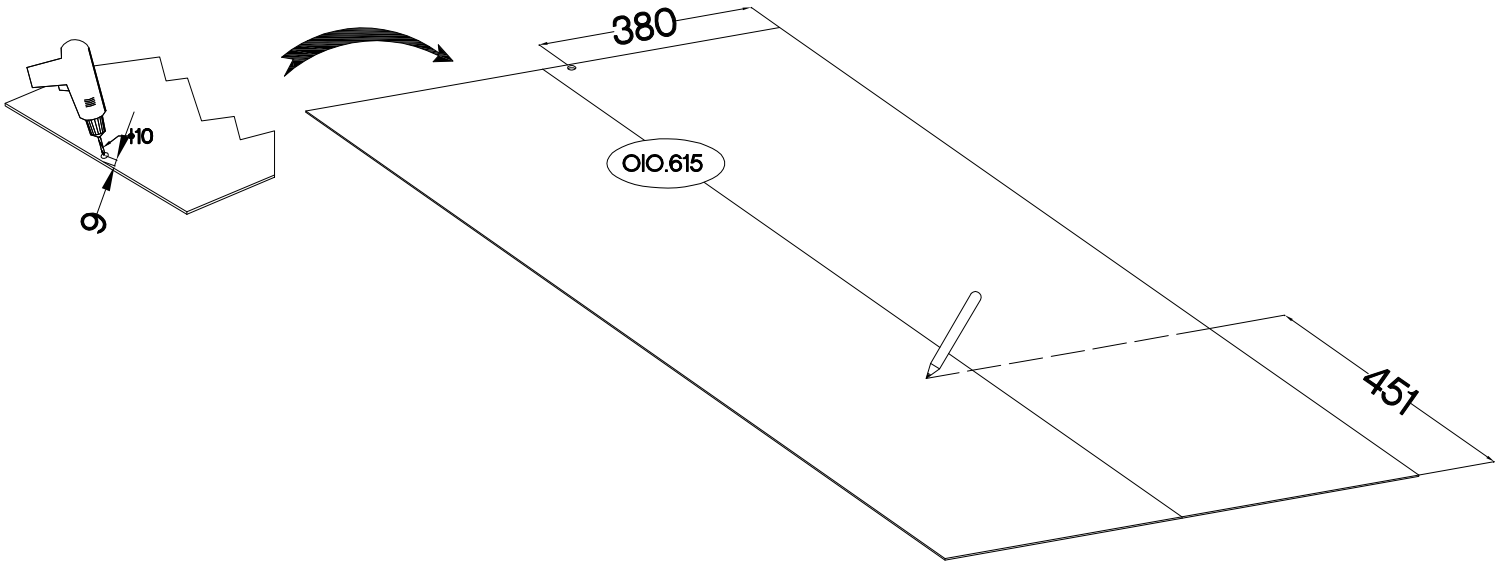


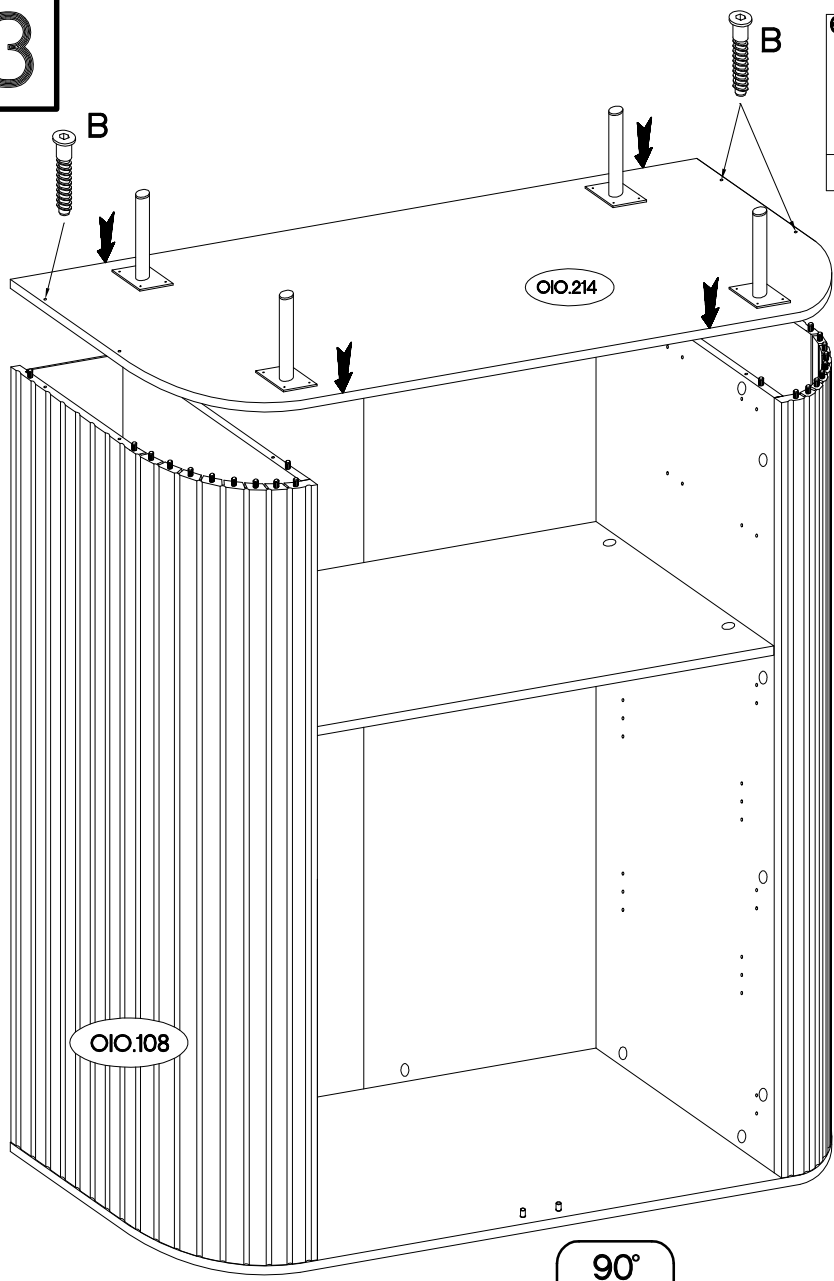
10


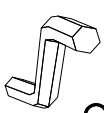
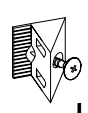

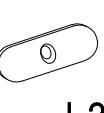


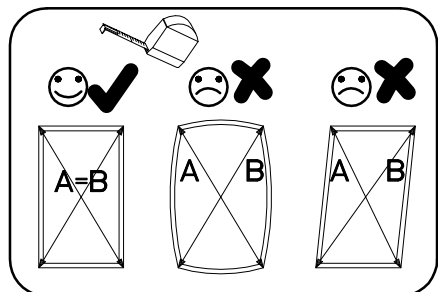
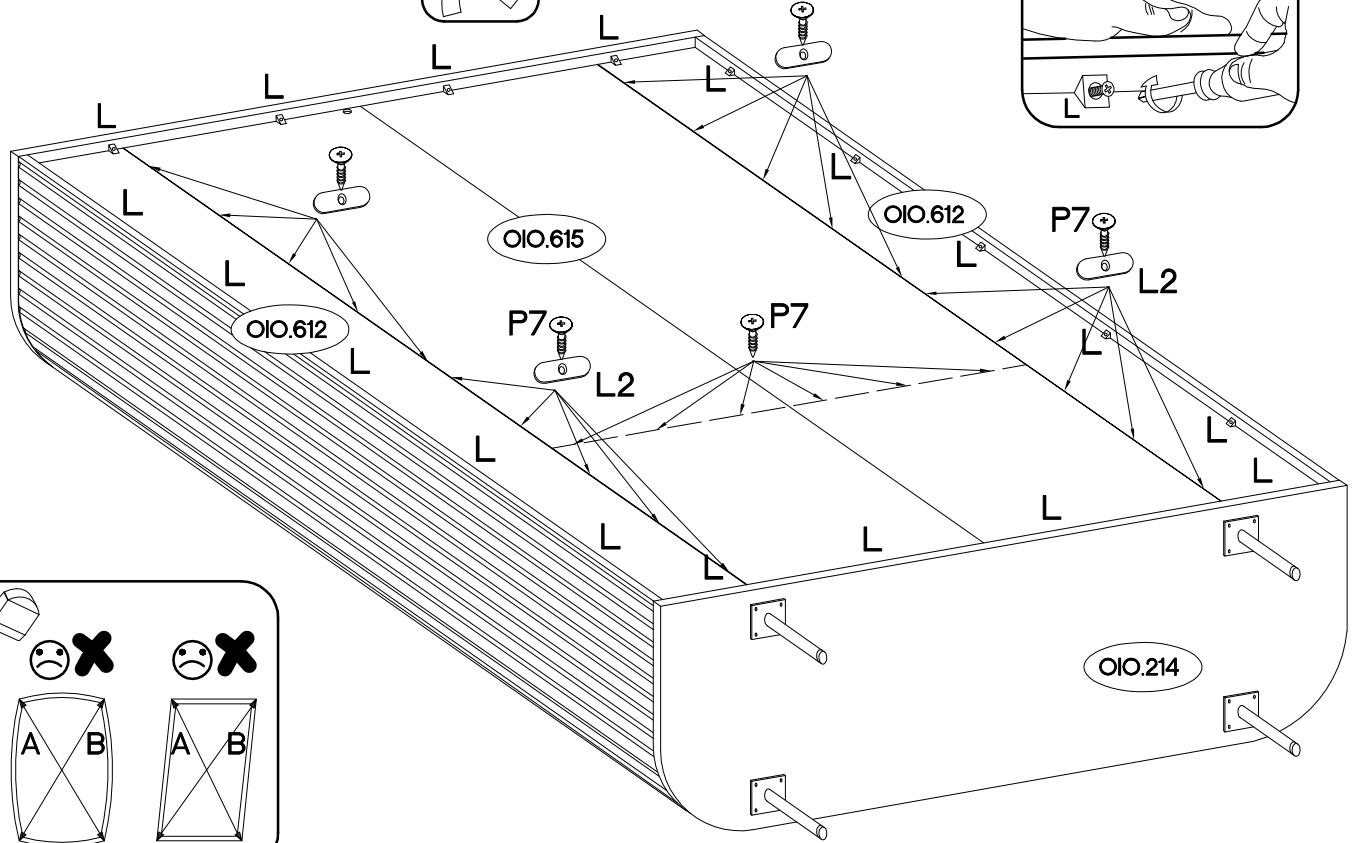
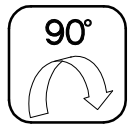
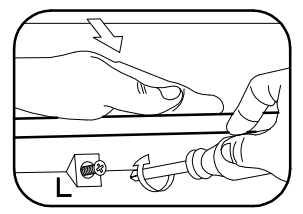
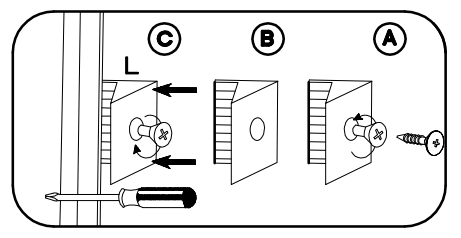
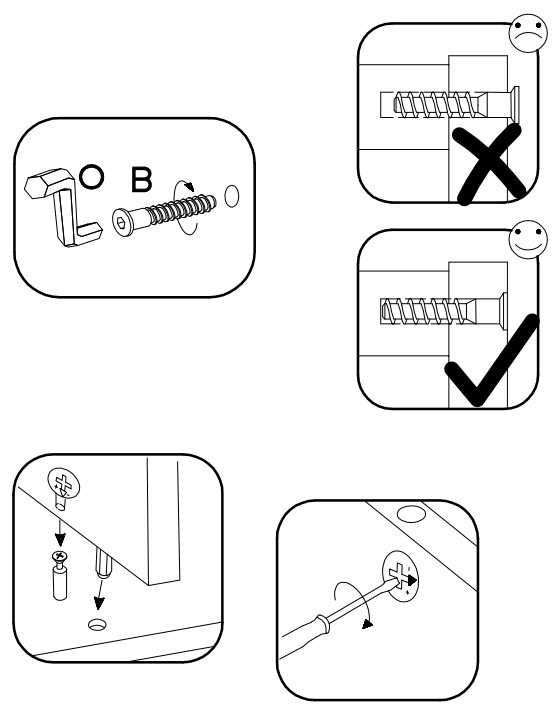
11

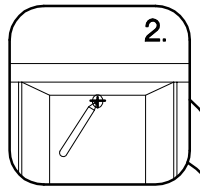







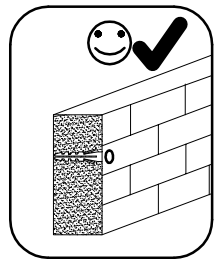
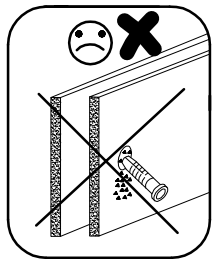
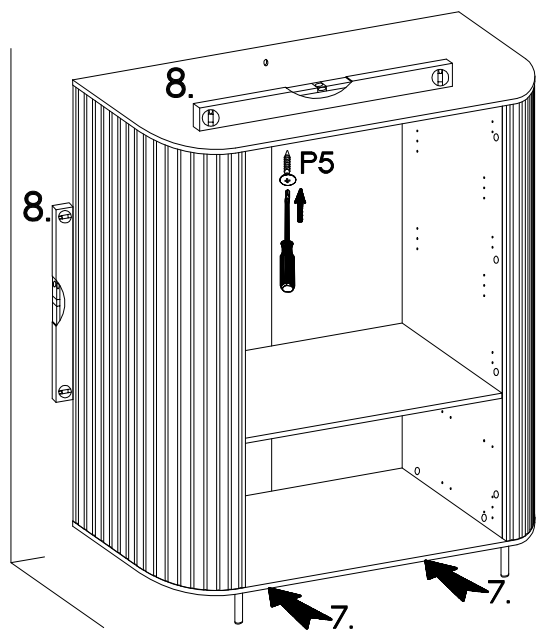
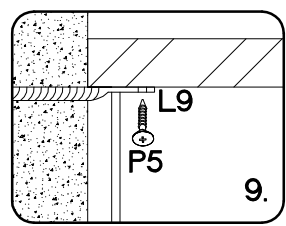
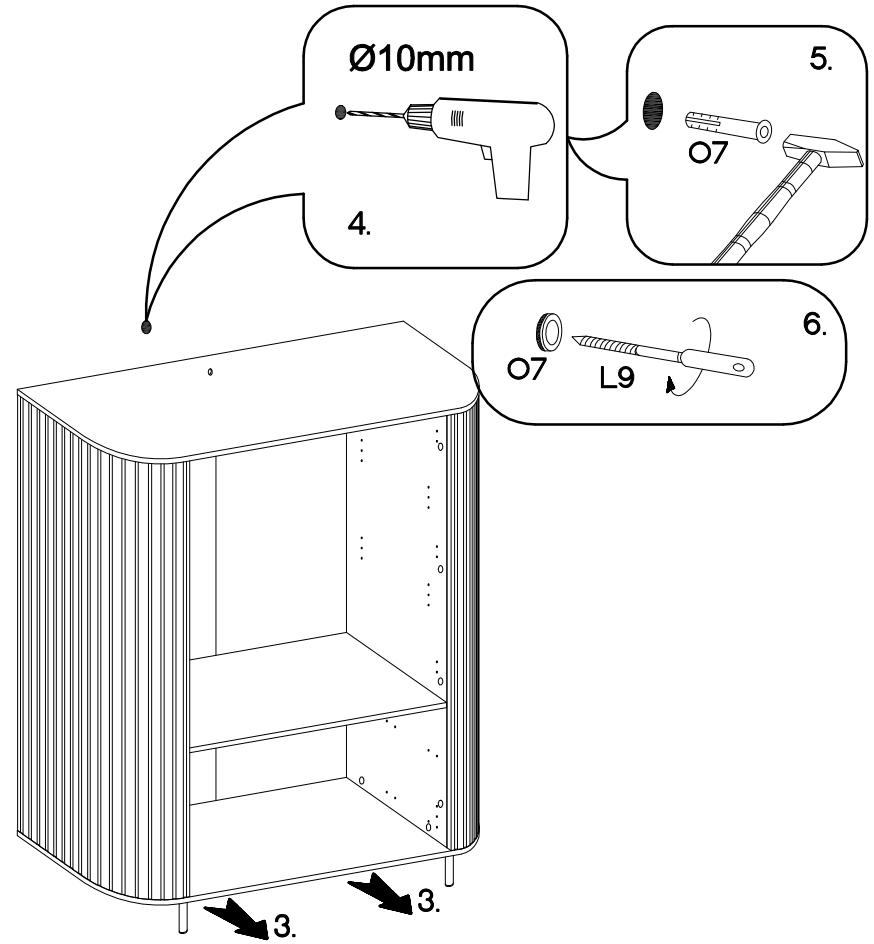
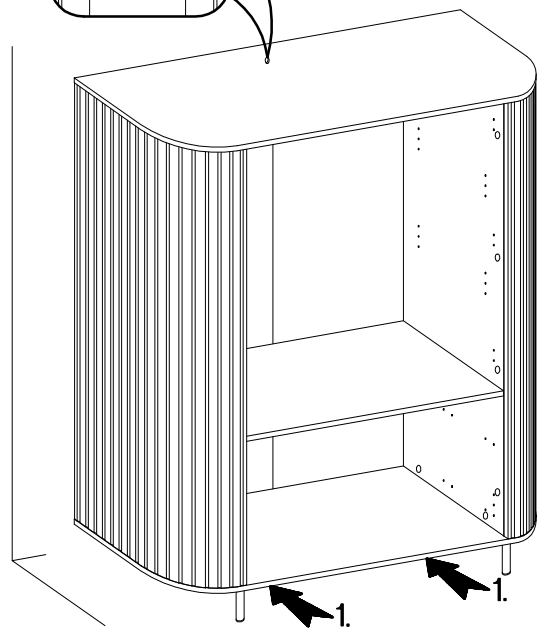


6,4 x 50mm  B 4	 O 1	 L 18	±3.0x20mm  P7 26	 L2 20
--	--	---	---	--

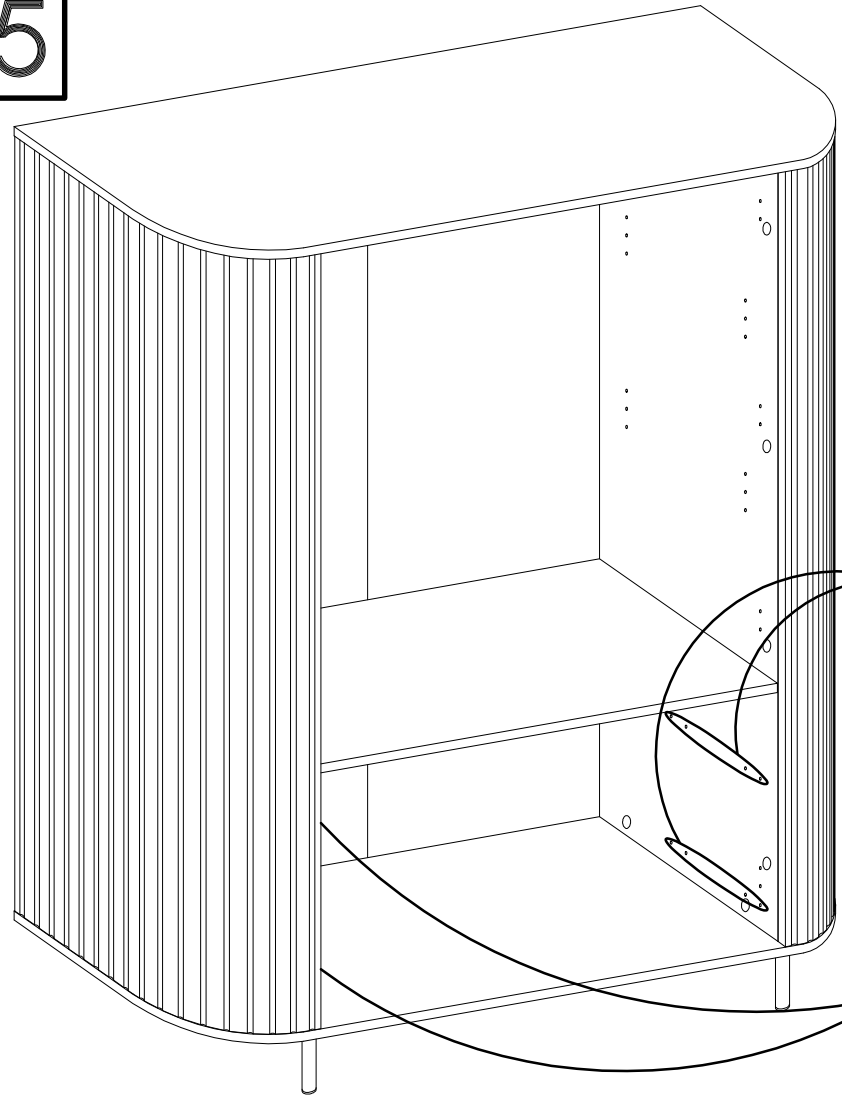




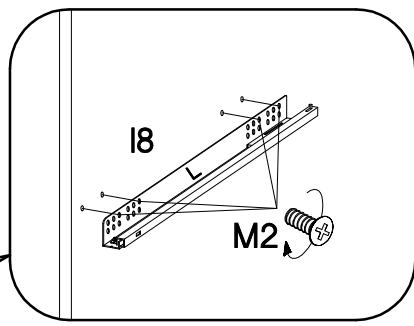
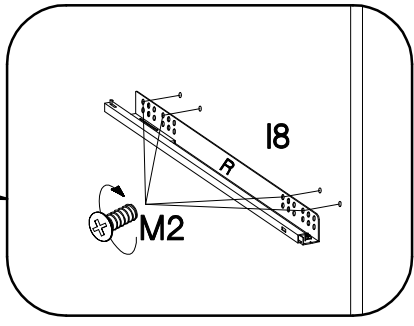
$\pm 10 \times 50 \text{mm}$  Ø7 1	 L9 1	$\pm 3.5 \times 13 \text{mm}$  P5 1
---	---	---



15

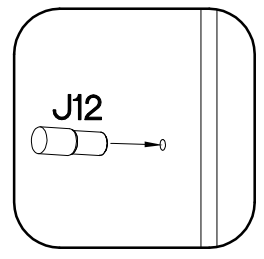
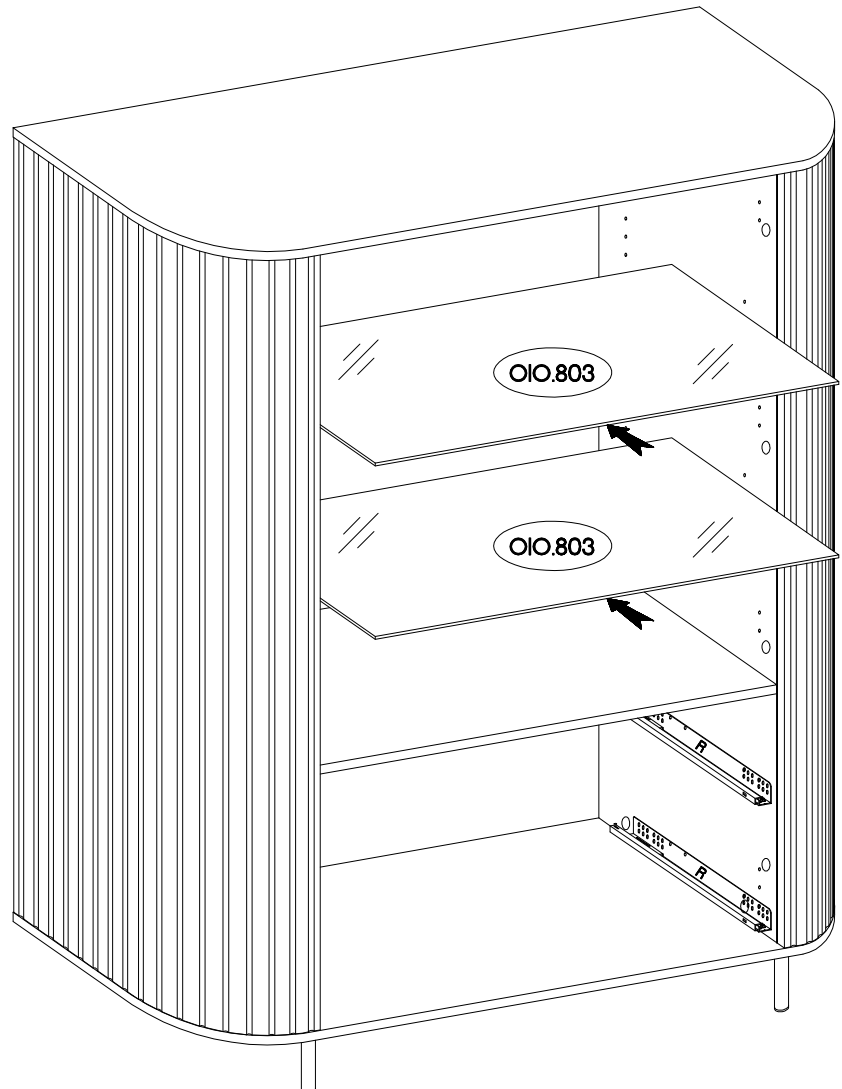


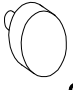


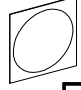
	[CD]	+6.3x13mm
L=350mm	I8	M2
2		16

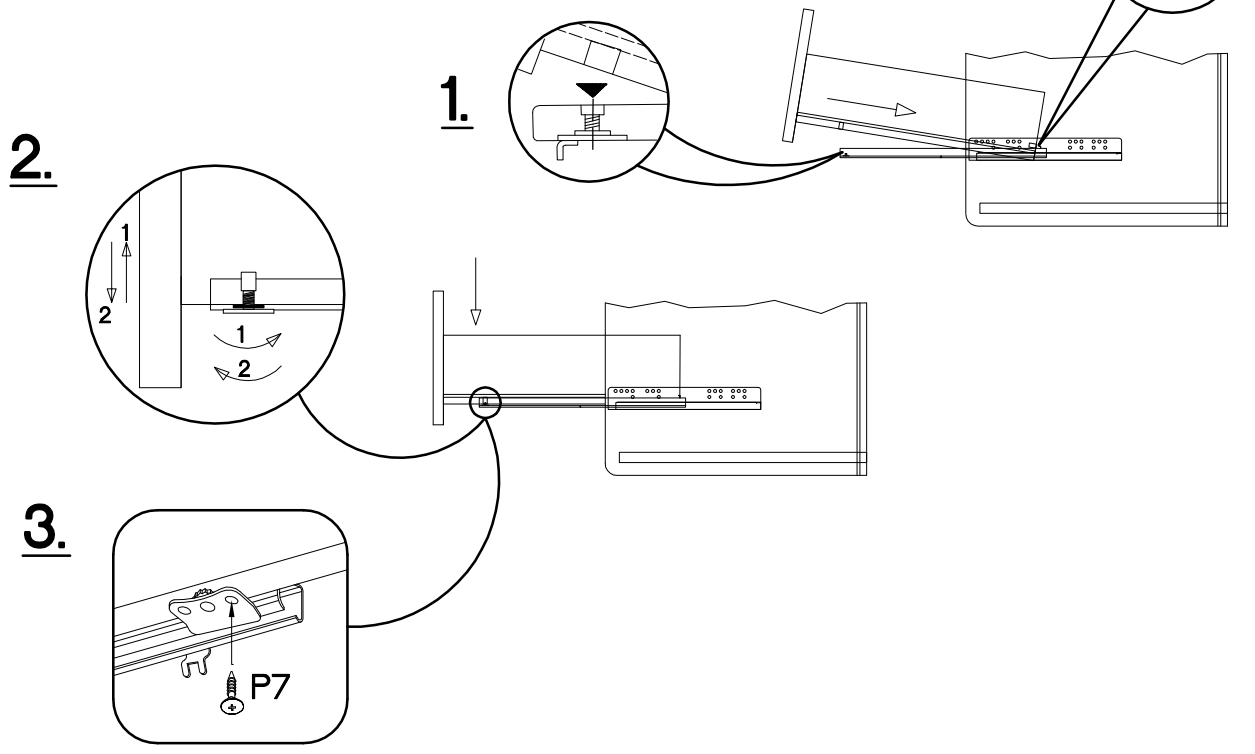
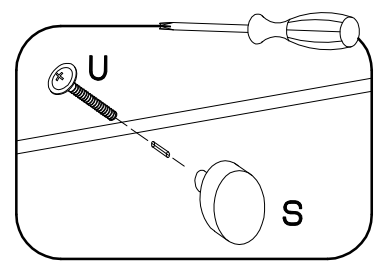
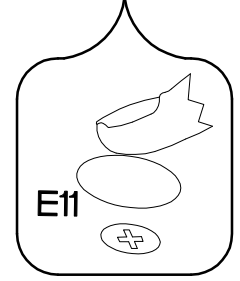
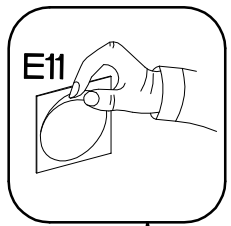
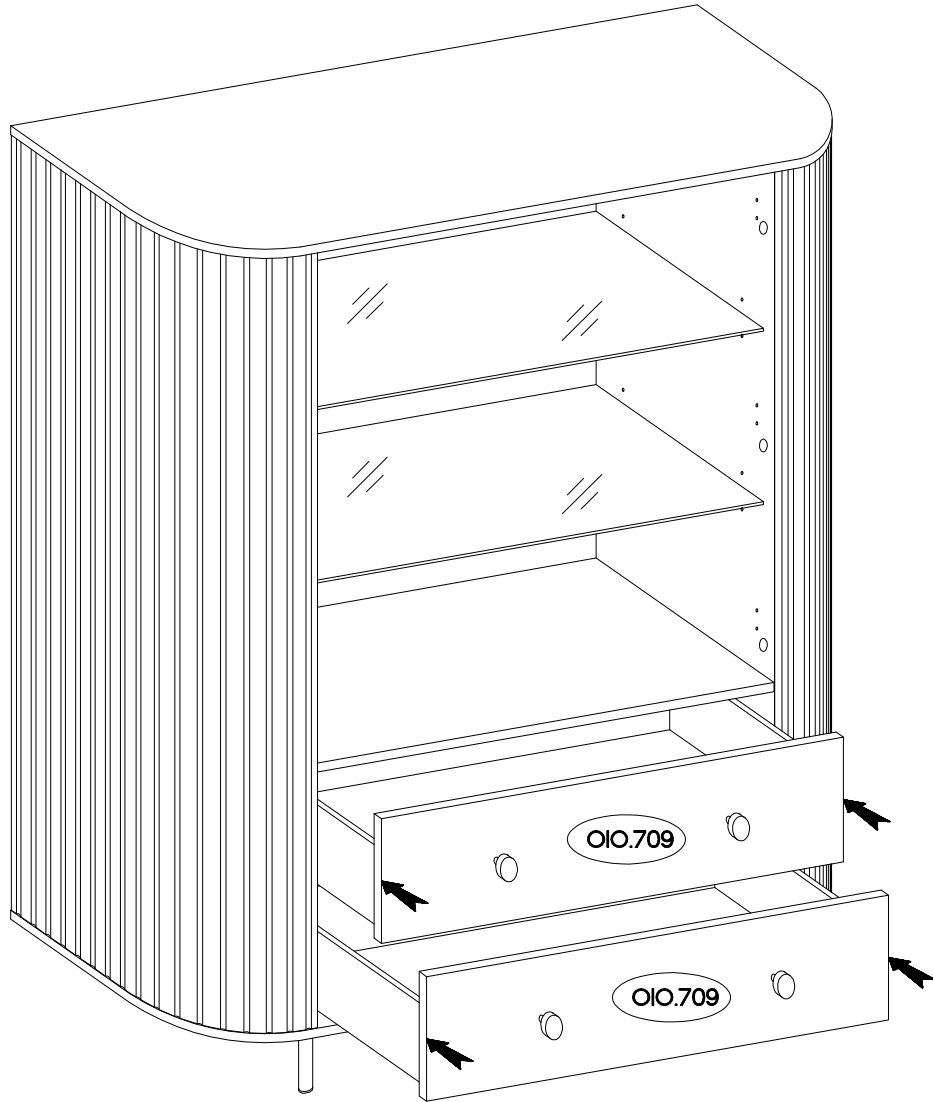


16

J12
8

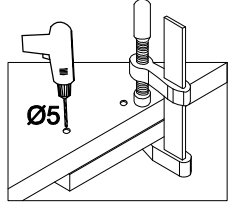
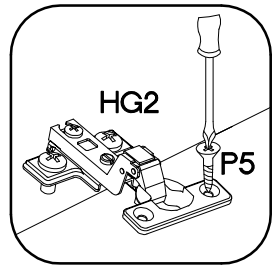
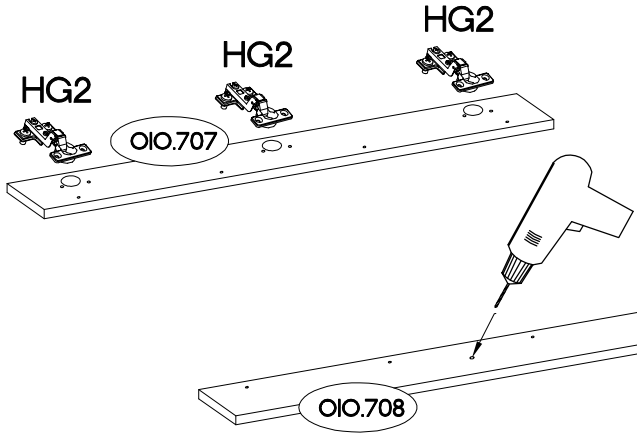


 S	M4x22mm  U	+3.0x20mm  P7	+20  E11
4	4	4	10



18

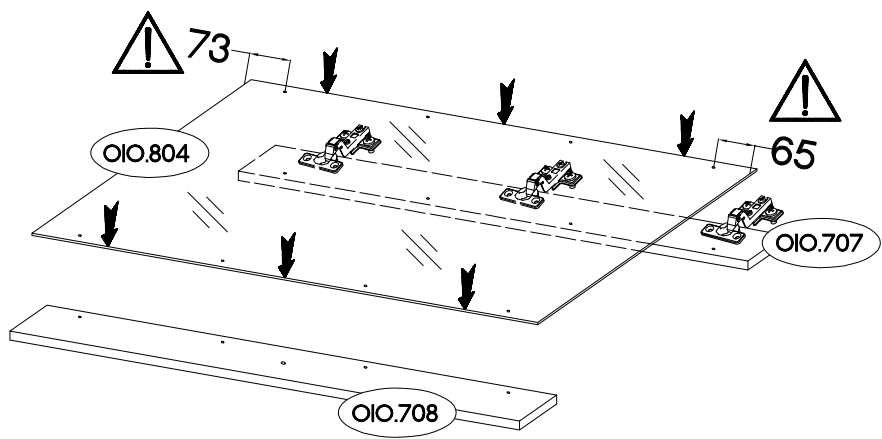
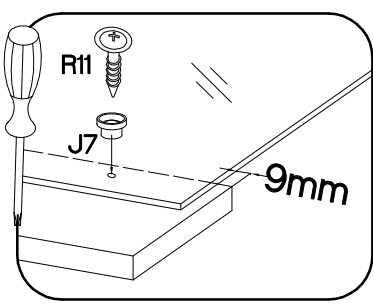
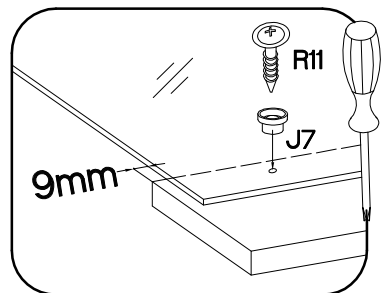
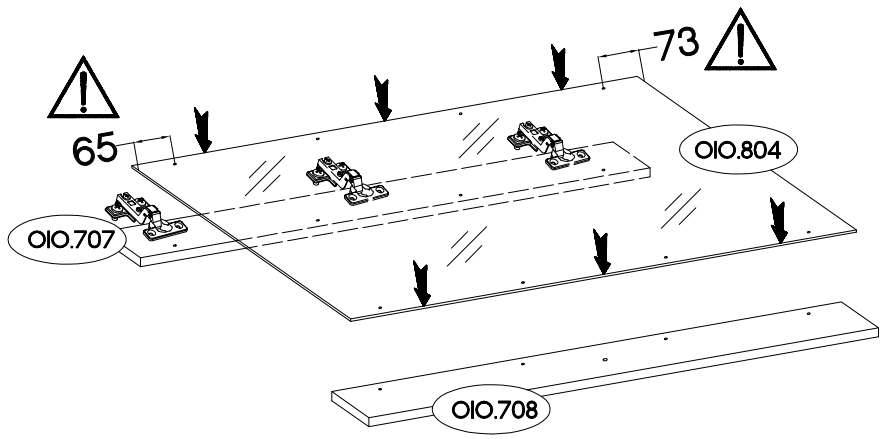
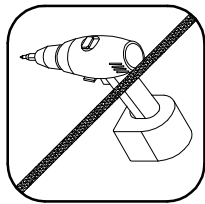
$\pm 35/16\text{mm}$	$\pm 3.5 \times 13\text{mm}$
[CD] HG2	P5
6	12

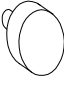


x2

19

$\pm 4.0 \times 16\text{mm}$	$\pm 7/4\text{mm}$
R11	J7
16	16



	M4x22mm
S	U
2	2

