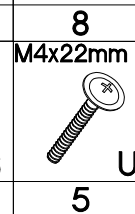
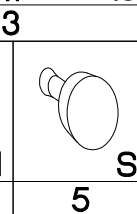
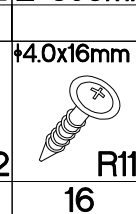
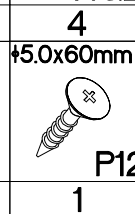
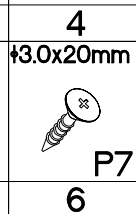
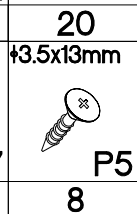
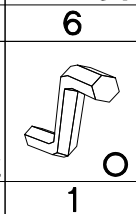
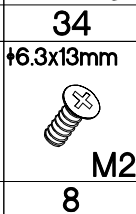
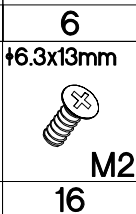
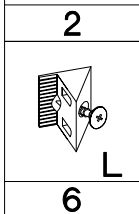
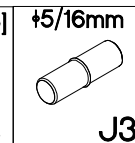
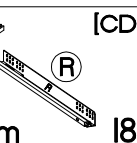
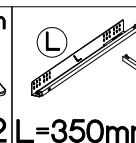
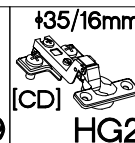
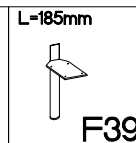
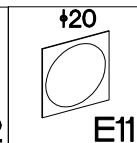
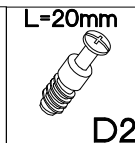
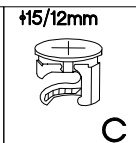
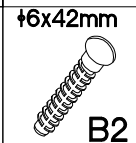
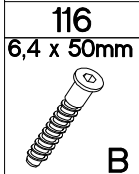
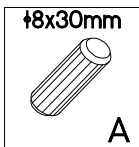
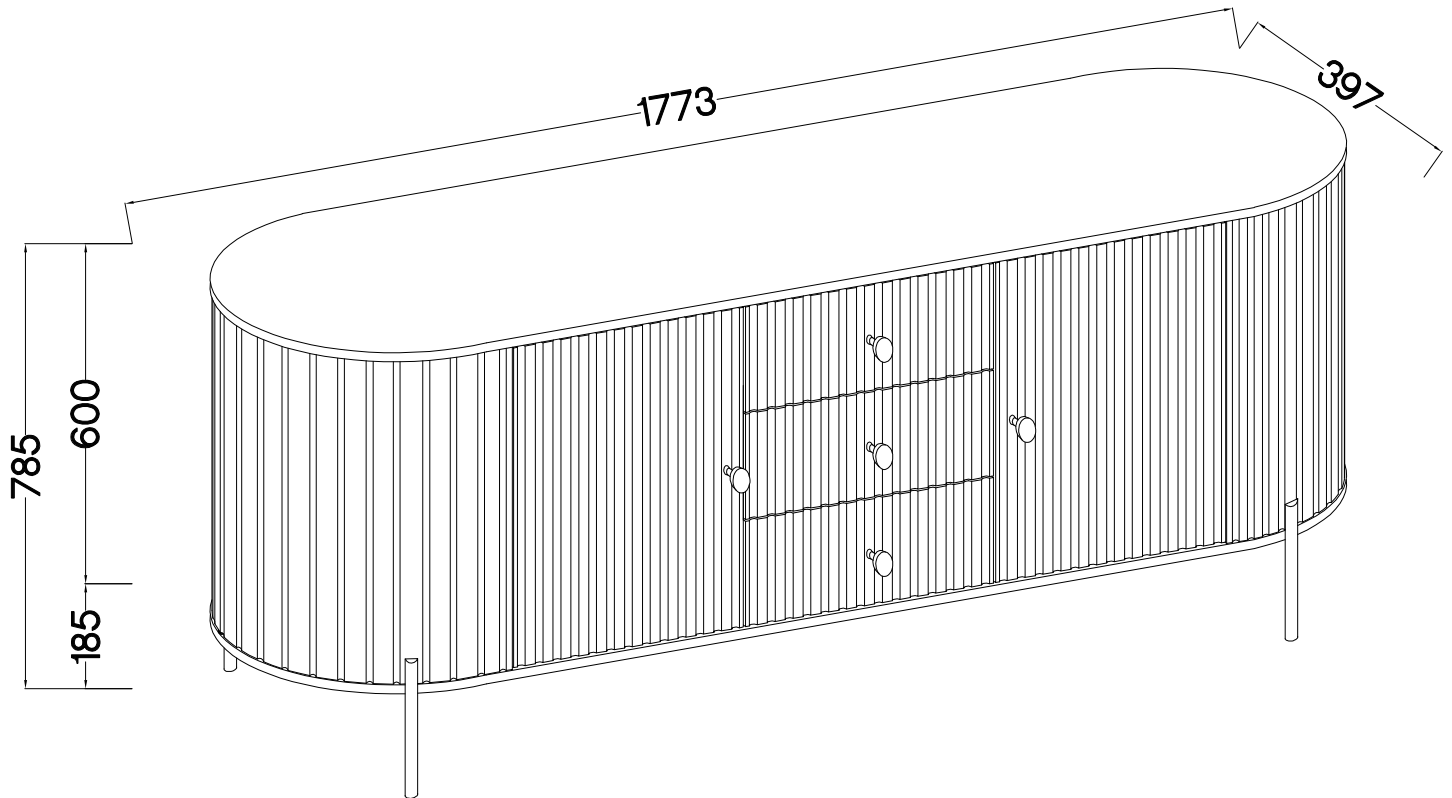
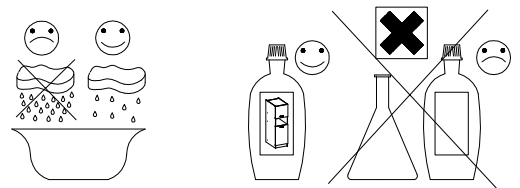
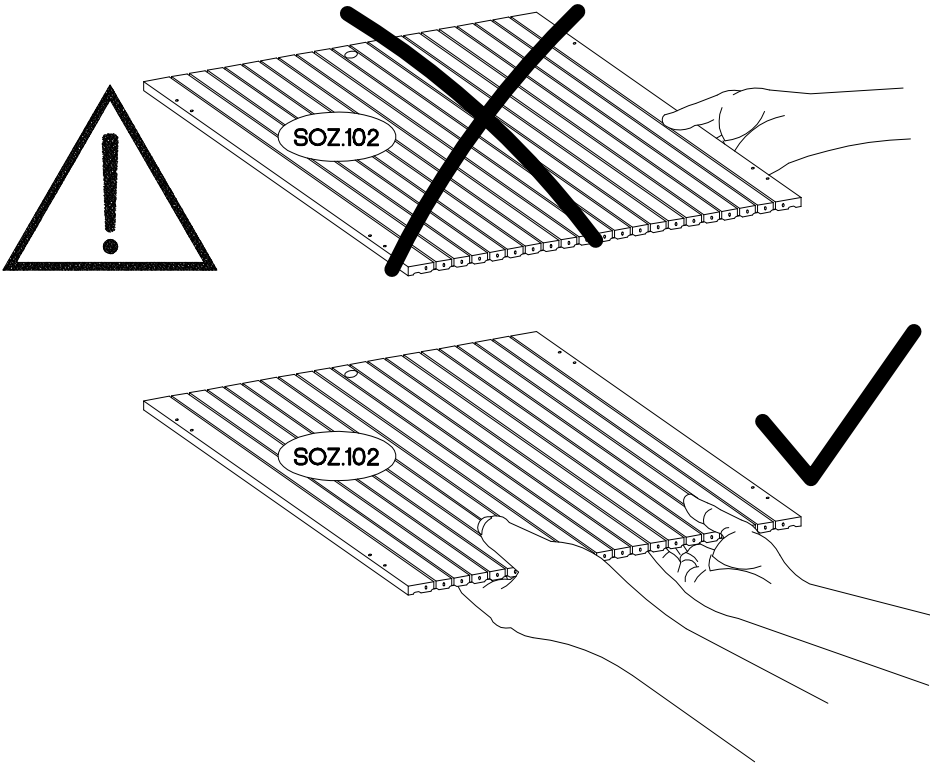
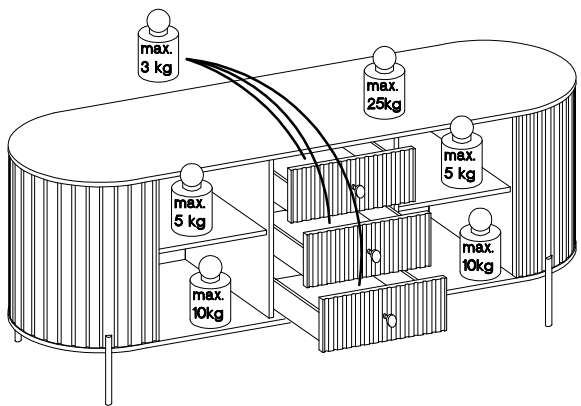
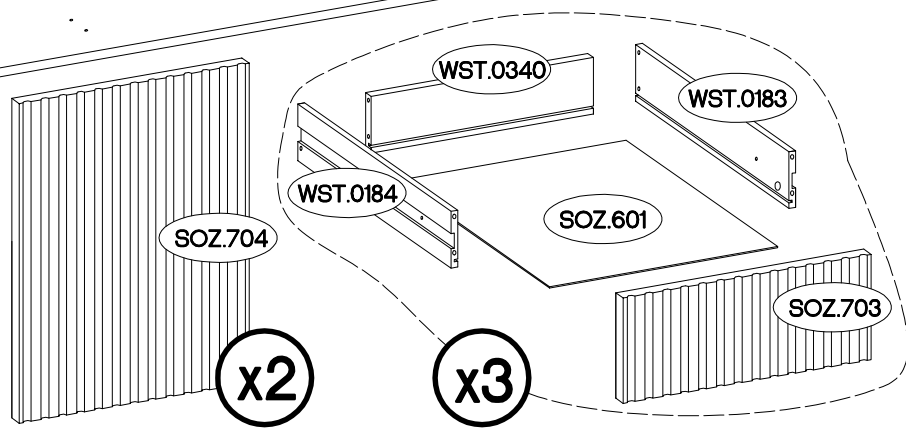
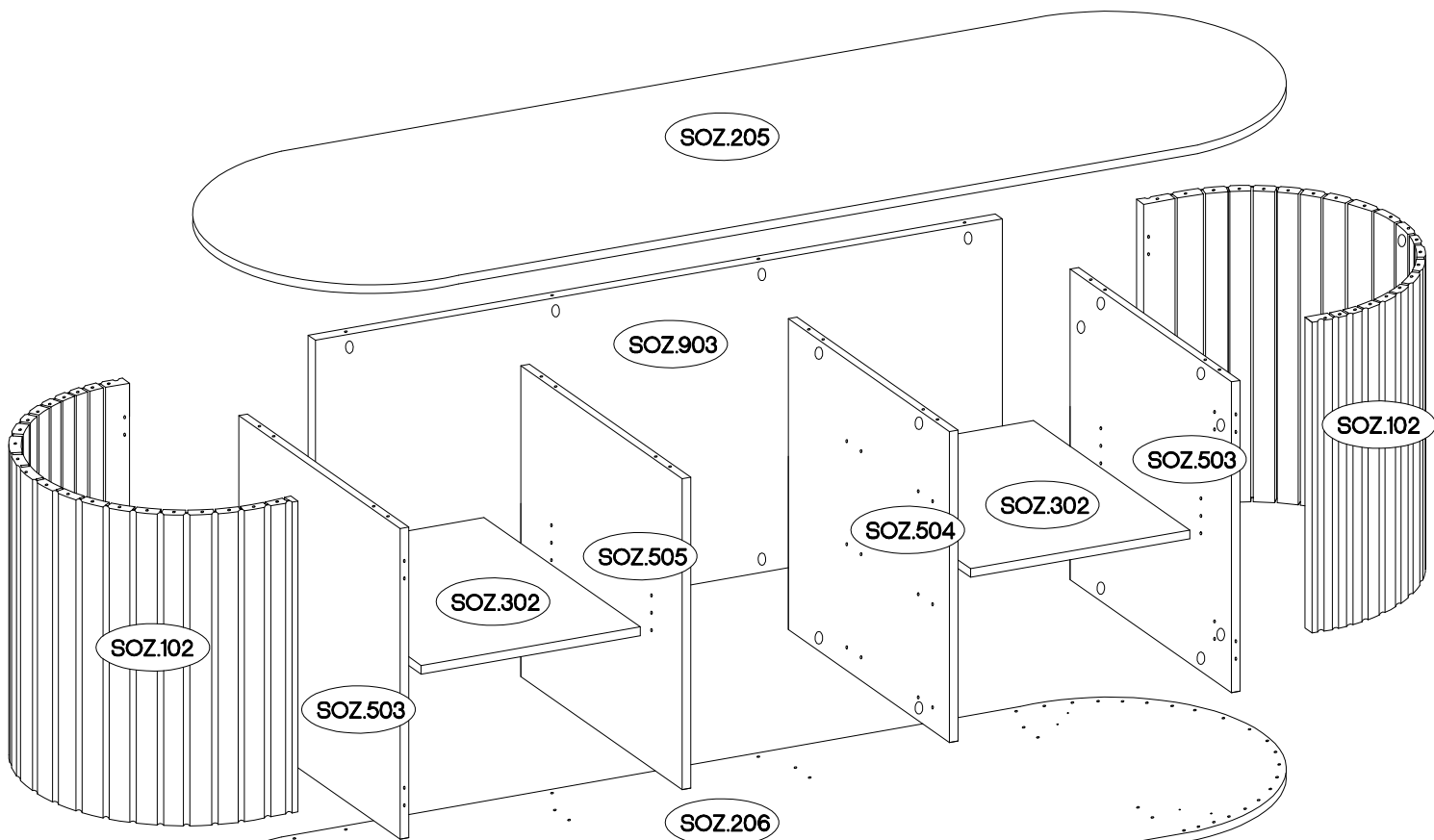


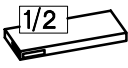
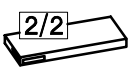
TYP 823




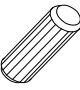
†8x30mm												
A												
116												
6,4 x 50mm	†6x42mm	†15/12mm	†12/10mm	L=20mm	†20	L=185mm	†35/16mm	[CD]	†5/16mm			
B	B2	C	C5	D2	E11	F39	HG2	L=350mm	I8	J3		
2	6	34	6	40	20	4	4	3		8		
L	†6.3x13mm	†6.3x13mm		†10x50mm	†3.5x13mm	†3.0x20mm	†5.0x60mm	†4.0x16mm		M4x22mm		
6	16	8	1	1	8	6	1	16	5	5		

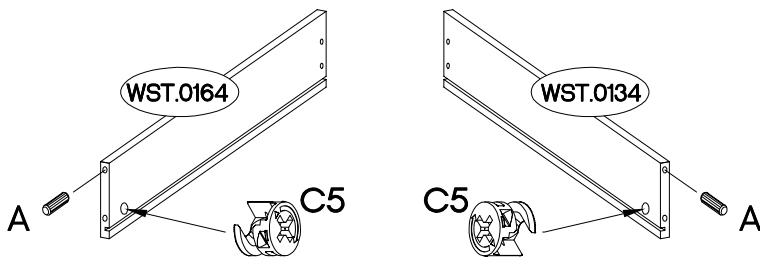
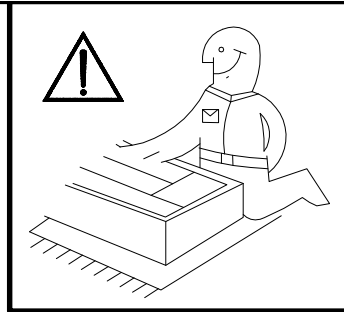
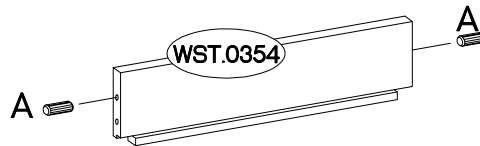
ISM-SOZ-003



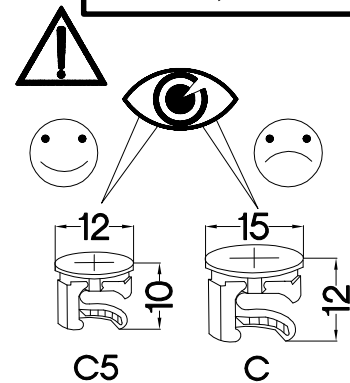
	Ersatzteil Nummer	Dimension
	SOZ.503 x2	570x361x16
	SOZ.504	570x361x16
	SOZ.505	570x361x16
	SOZ.903	570x1279x16
	SOZ.302 x2	408x350x16
	SOZ.601 x3	403x348x2,5
	WST.0354 x3	398x100x12
	SOZ.703 x3	186x444x16
	SOZ.102 x2	570x704x16
	SOZ.205	1773x397x16
	SOZ.206	1773x397x16
	WST.0134 x3	350x100x12
	WST.0164 x3	350x100x12
	SOZ.704 x2	564x412x16

1


#12/10mm  C5 6	#8x30mm  A 12
---	--

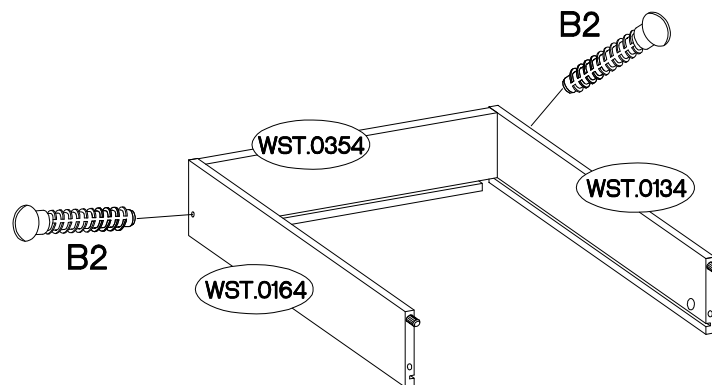
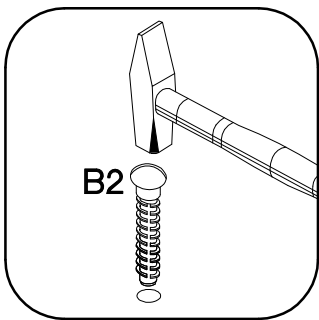
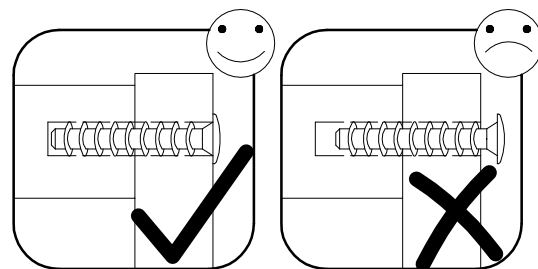
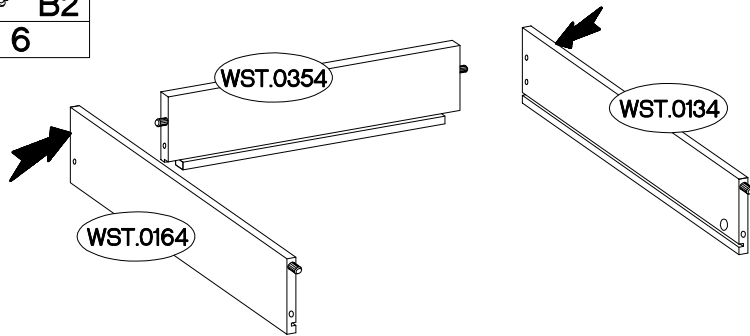


x3




2

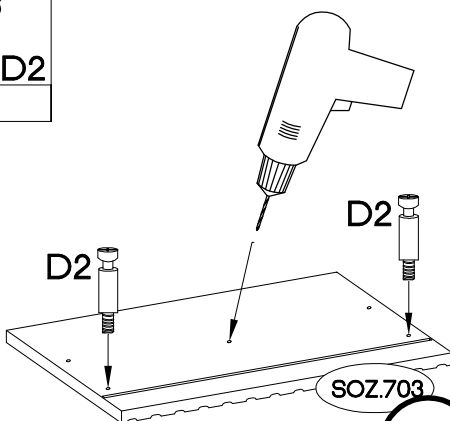
+6x42mm  B2 6
---



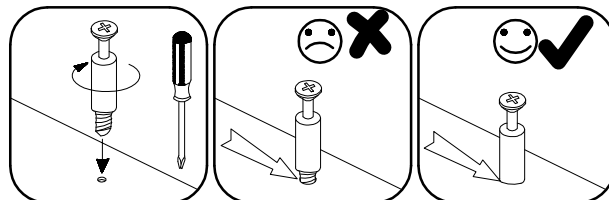
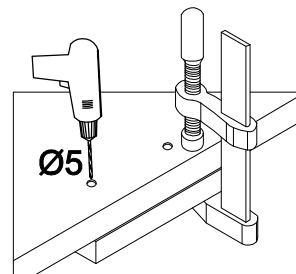
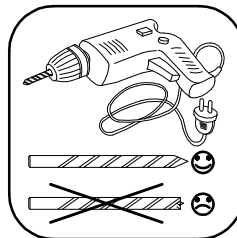
x3

3

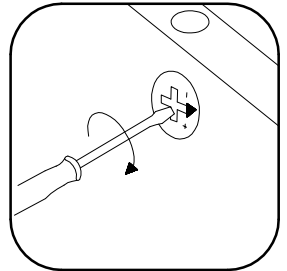
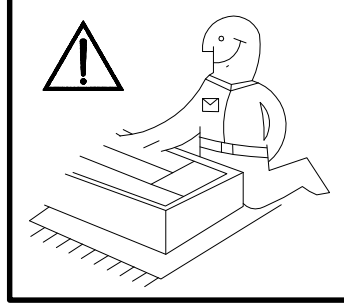
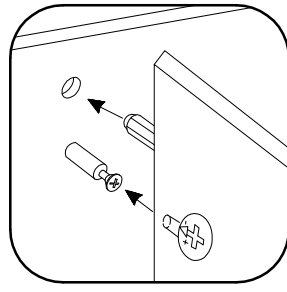
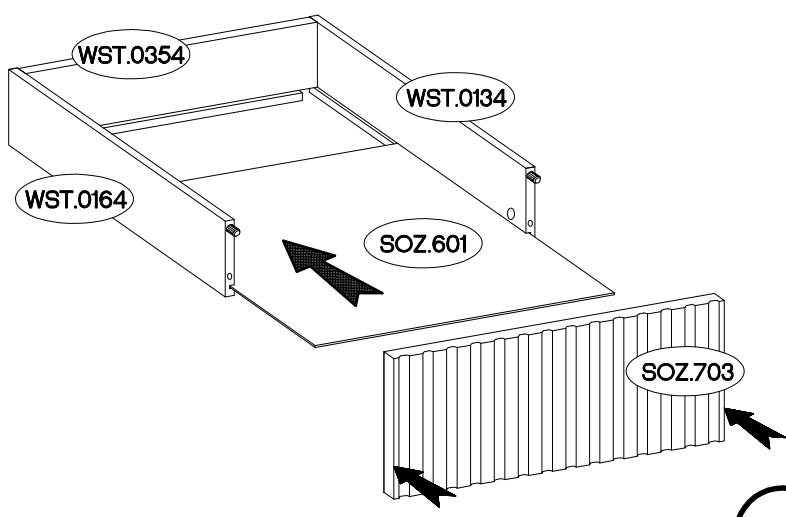
L=20mm  D2 6
--



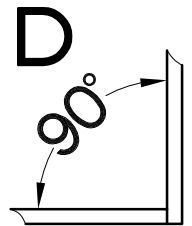
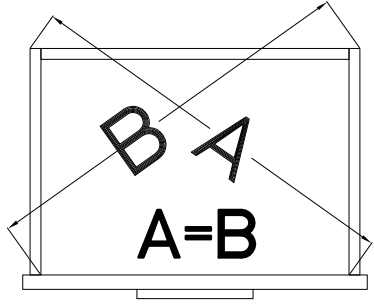
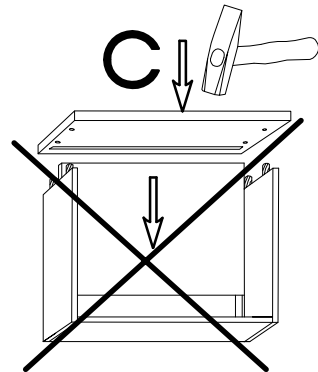
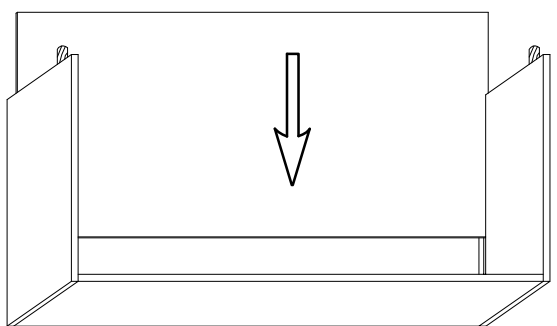
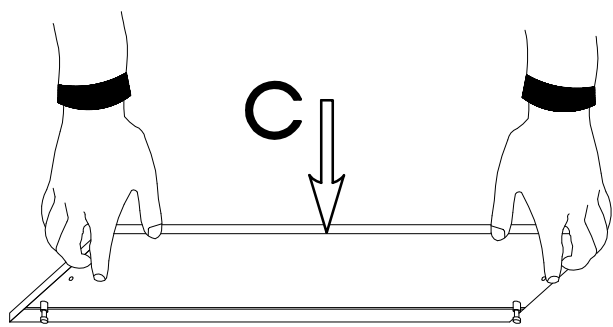
x3



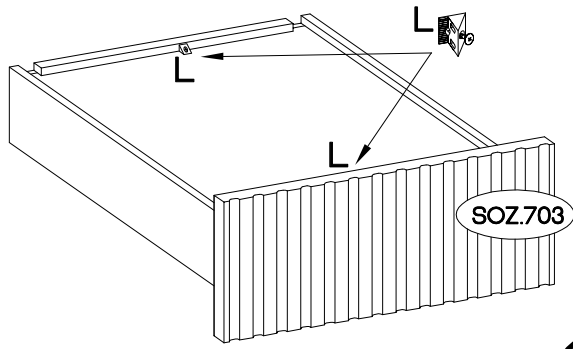
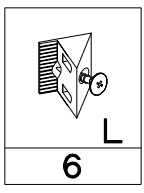
4



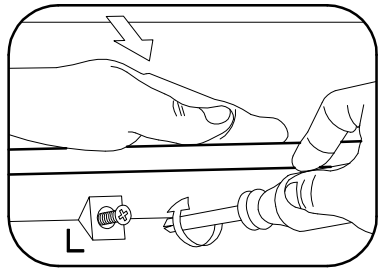
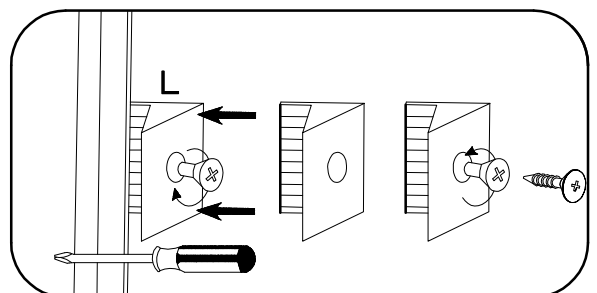
x3

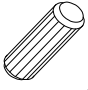
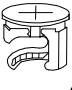


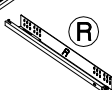



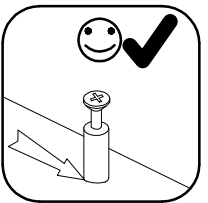
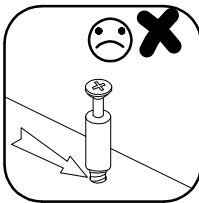
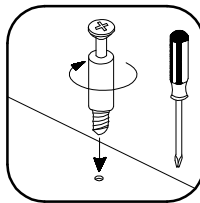
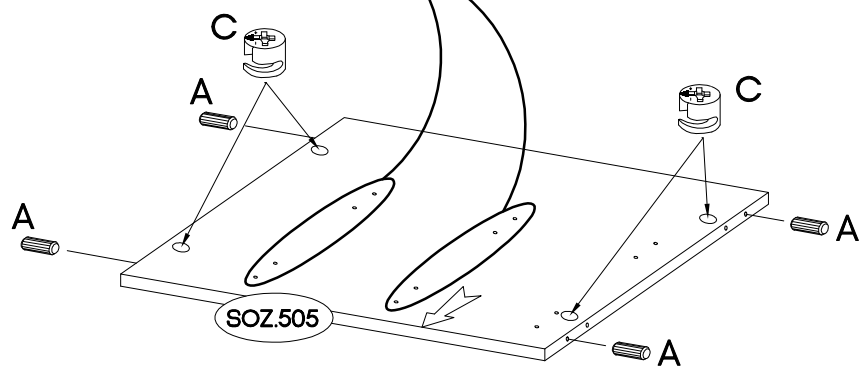
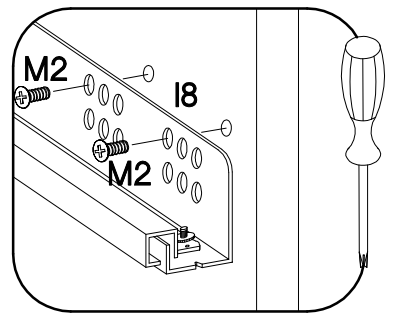
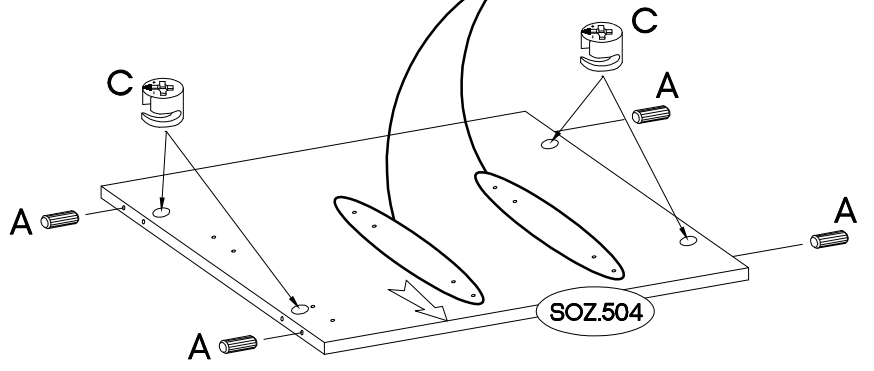
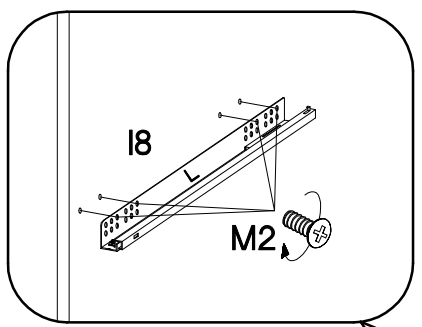
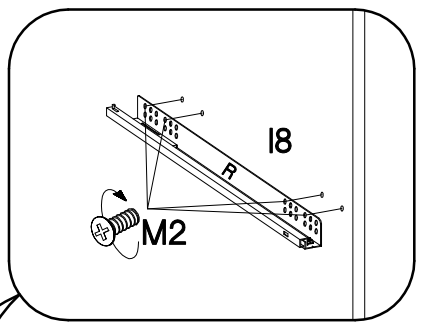
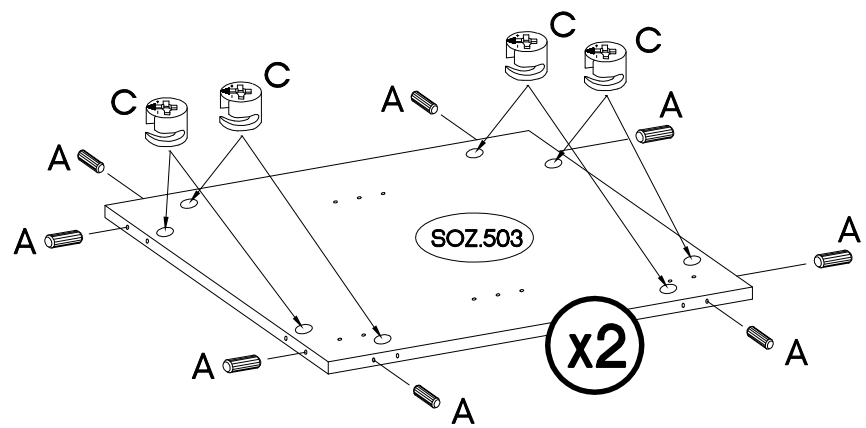
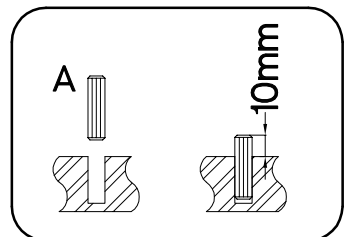
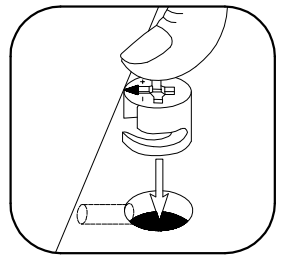
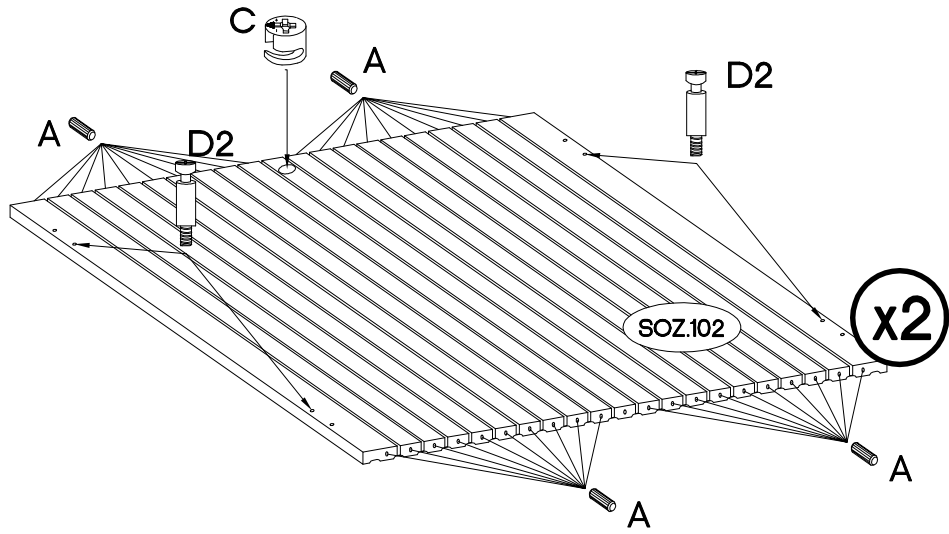
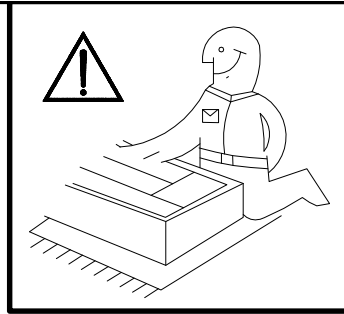
5



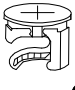

x3

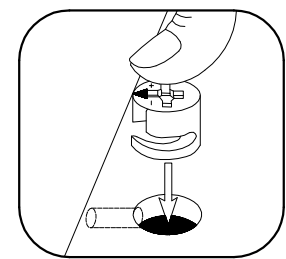
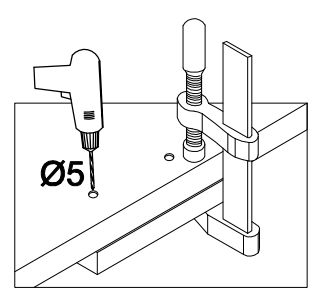
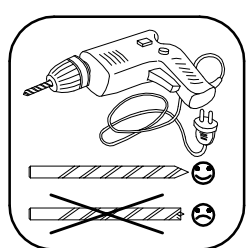
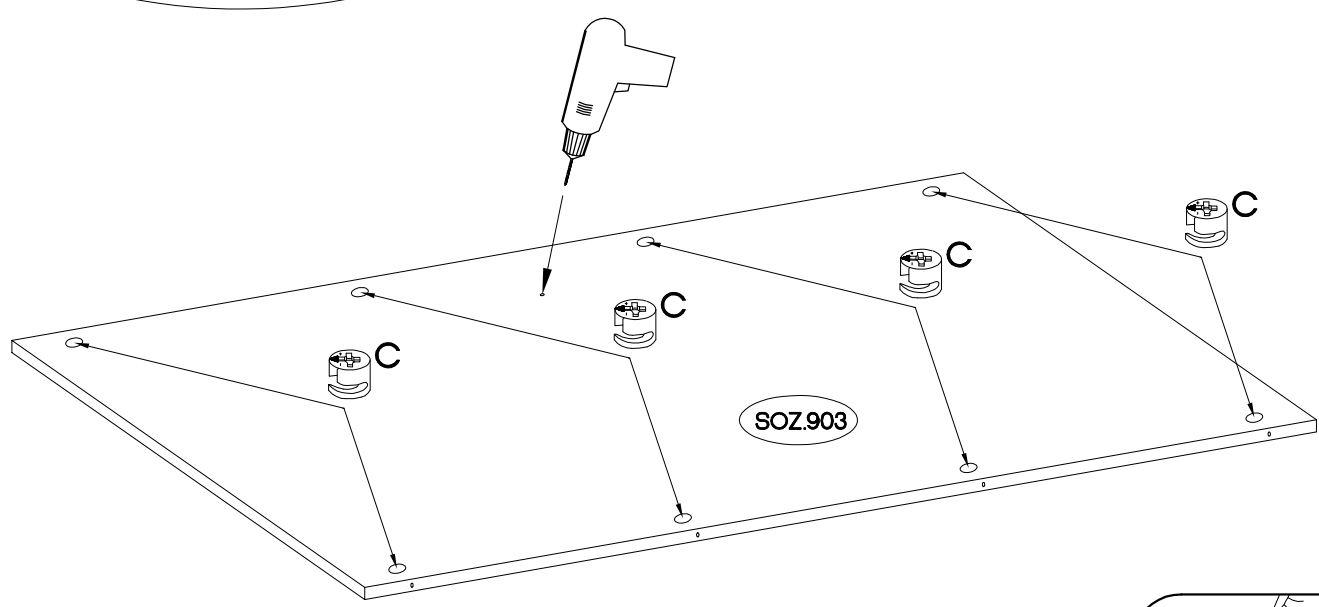
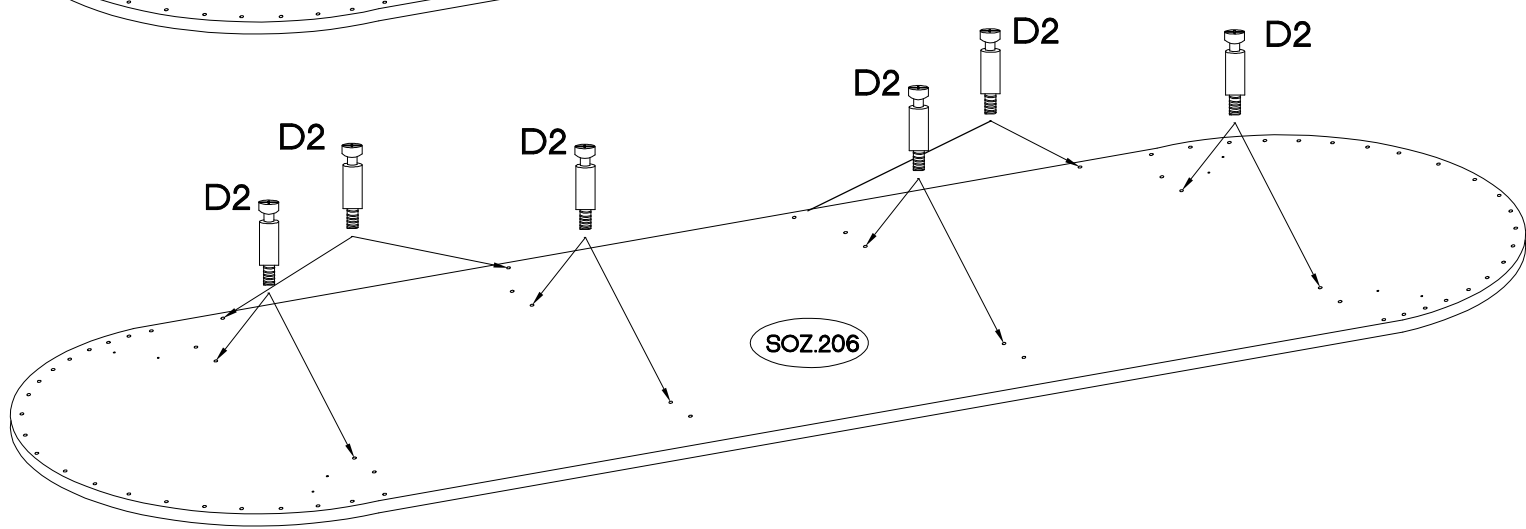
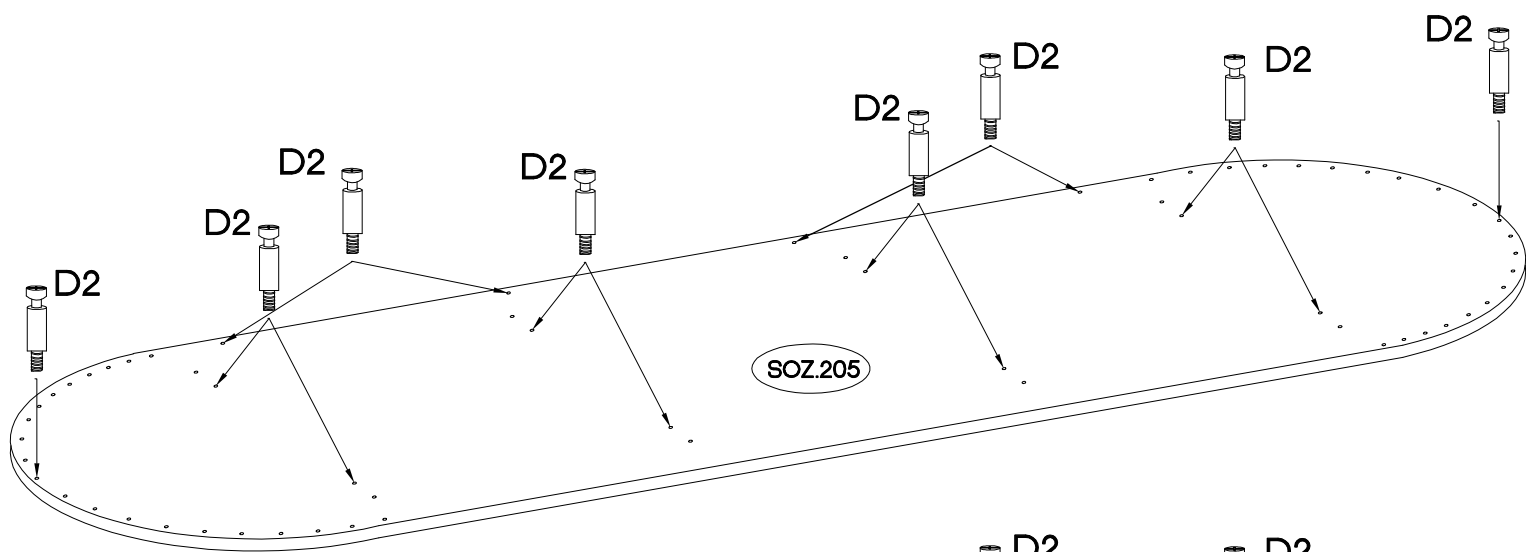
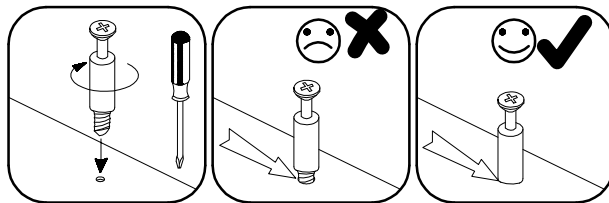


$\pm 8 \times 30 \text{mm}$  A 104	$\pm 15/12 \text{mm}$  C 26	L=20mm  D2 8	$\text{L}$  L=350mm 2	[CD]  R 18	$\pm 6.3 \times 13 \text{mm}$  M2 16
---	--	---	--	---	---

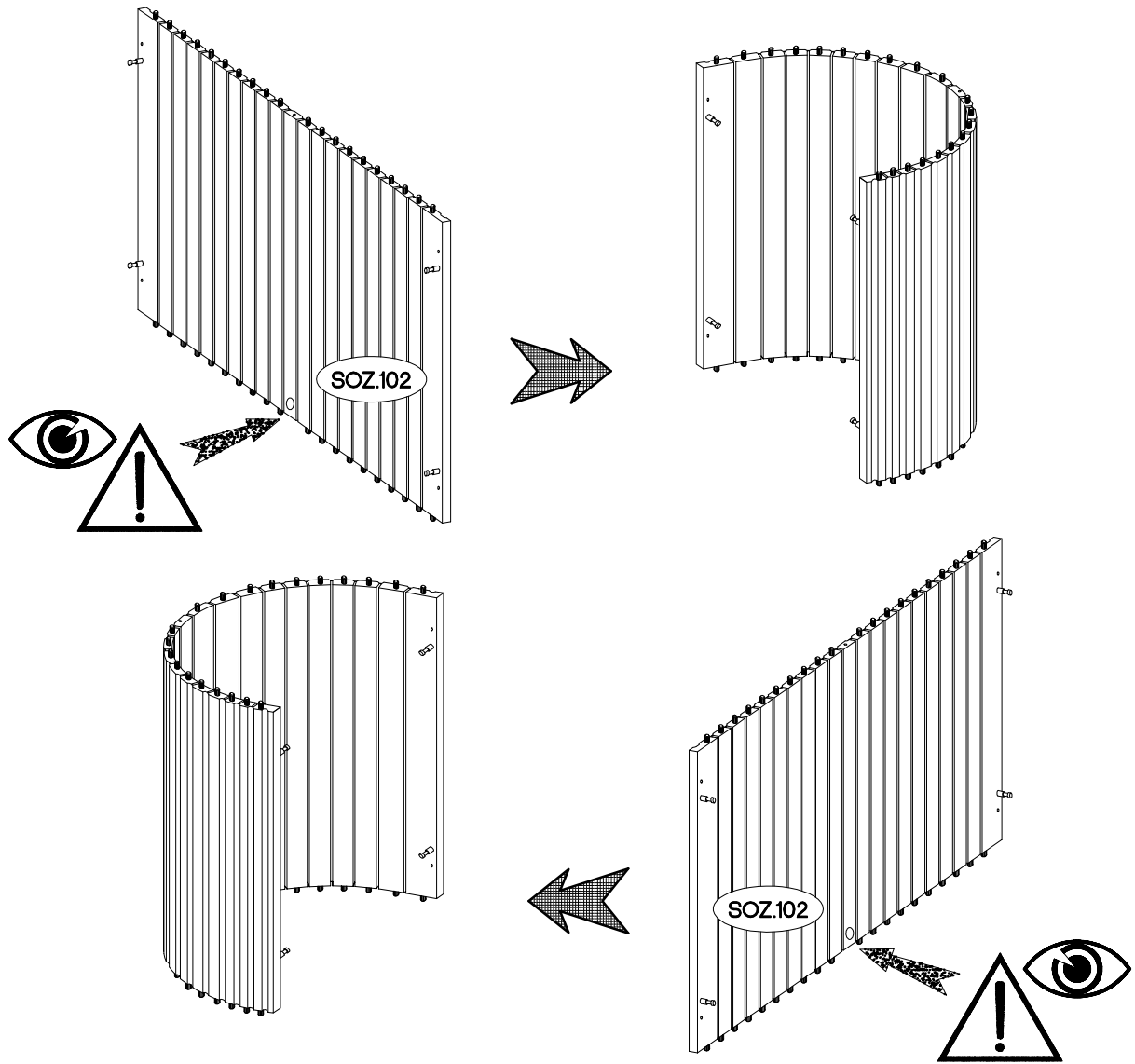


7

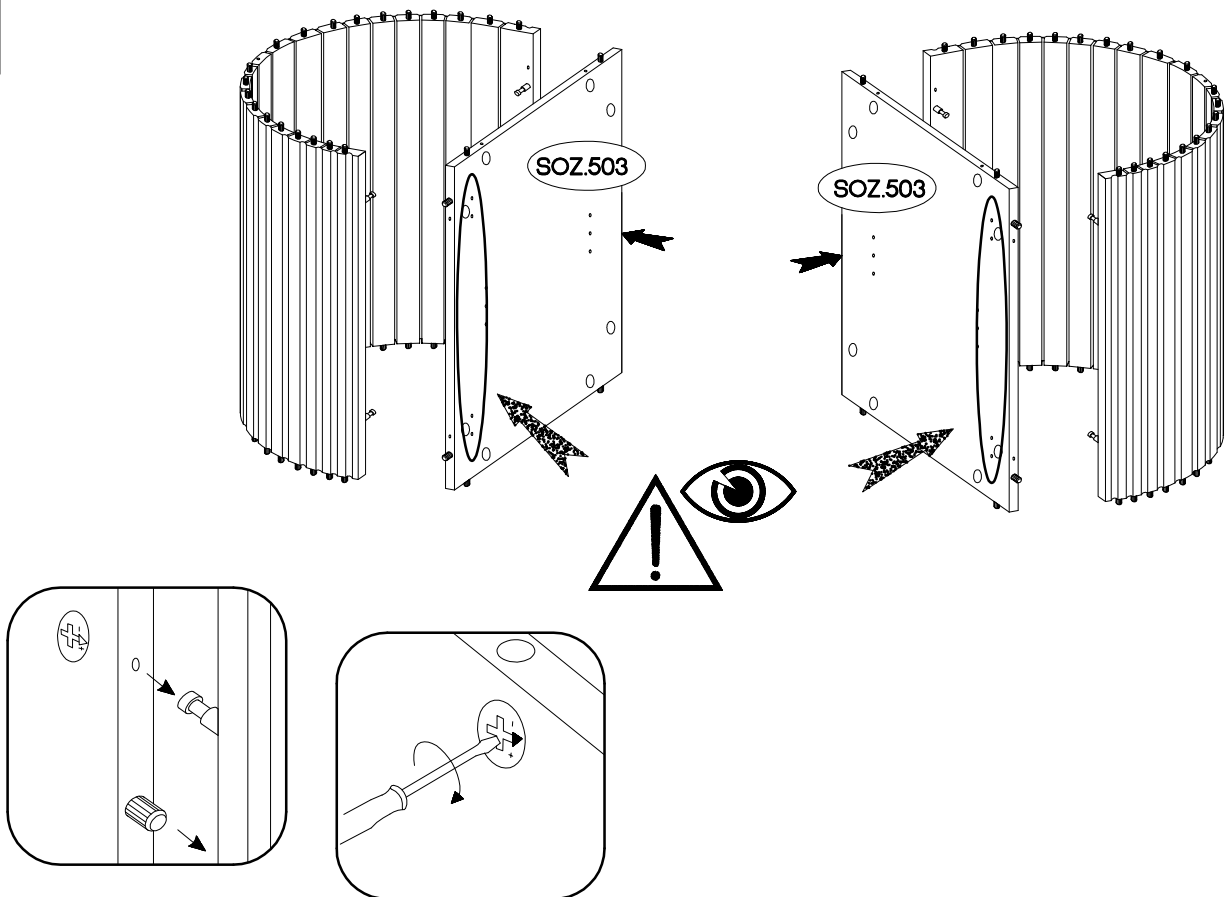
Ø15/12mm  C 8	L=20mm  D2 26
--	--



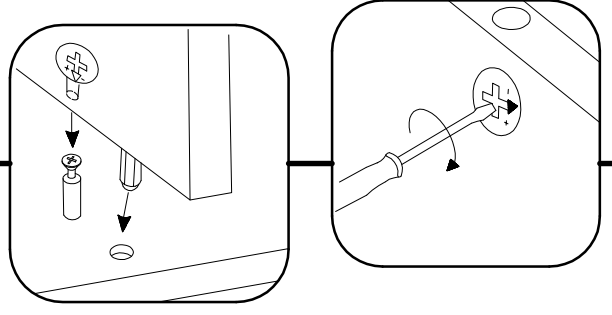
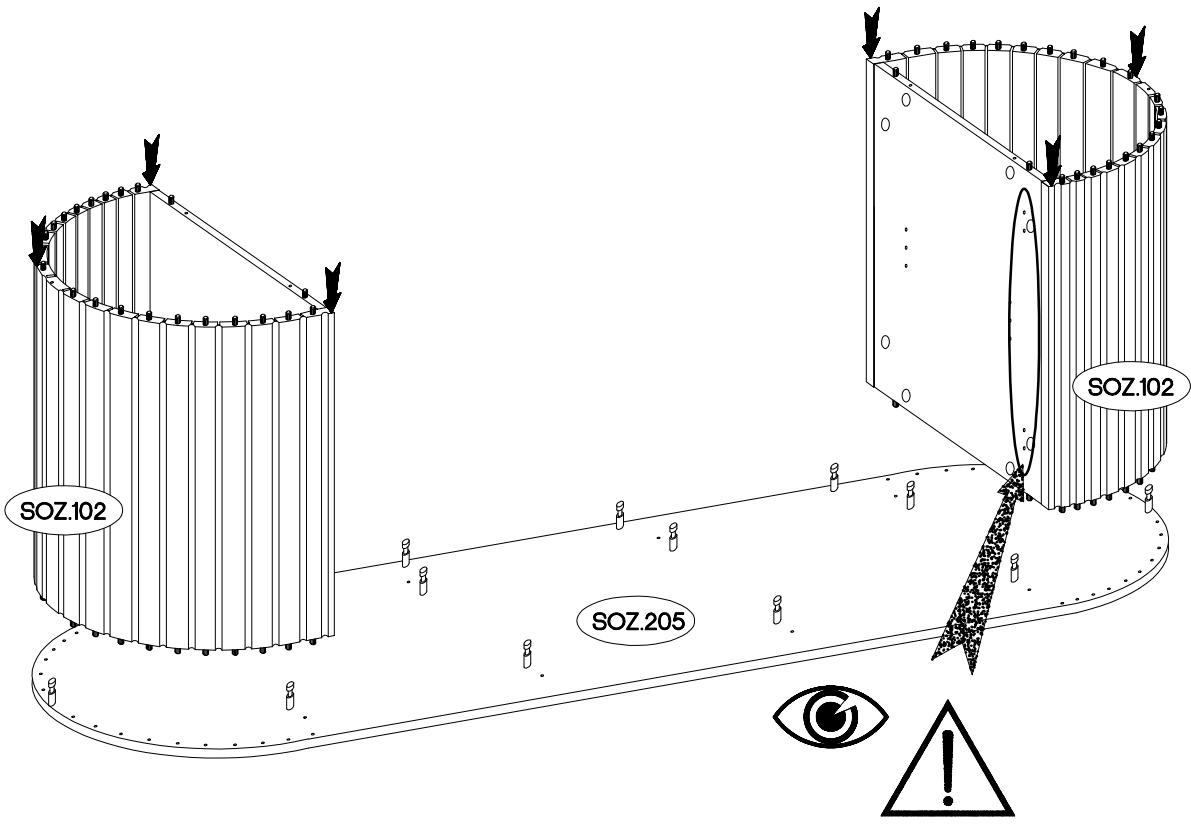
8



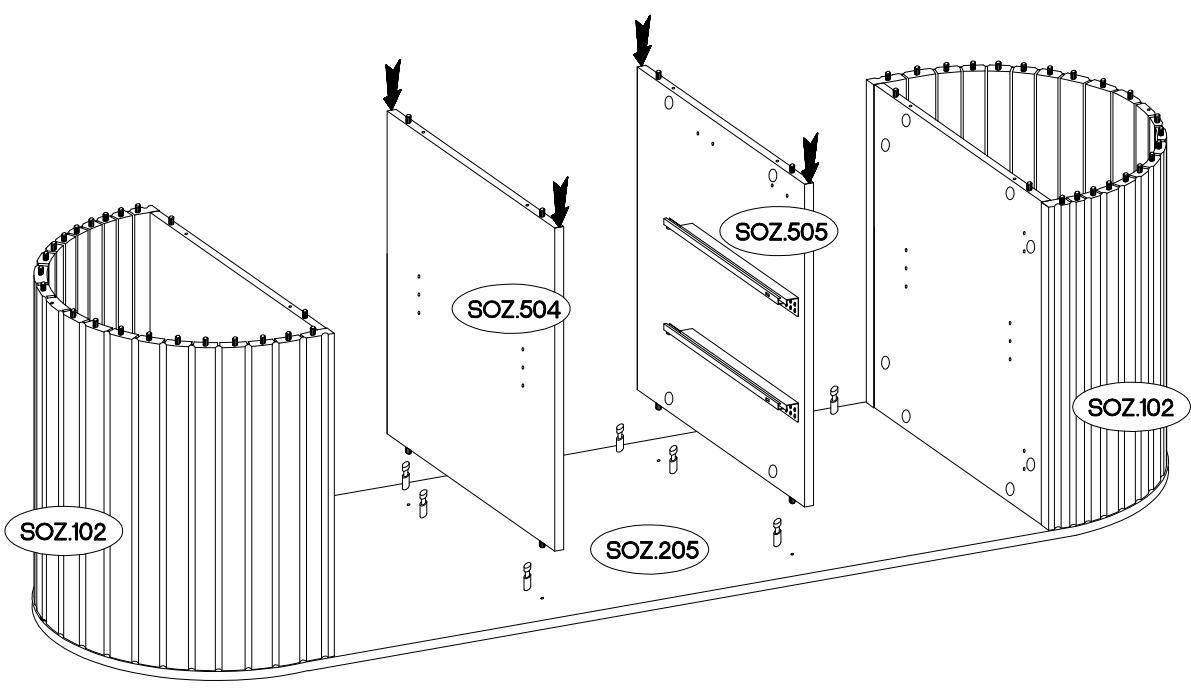
9



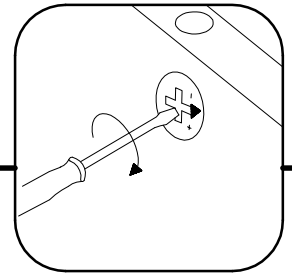
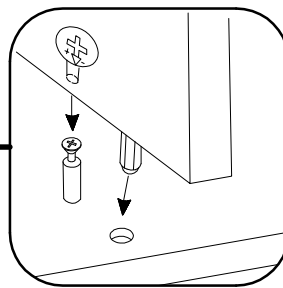
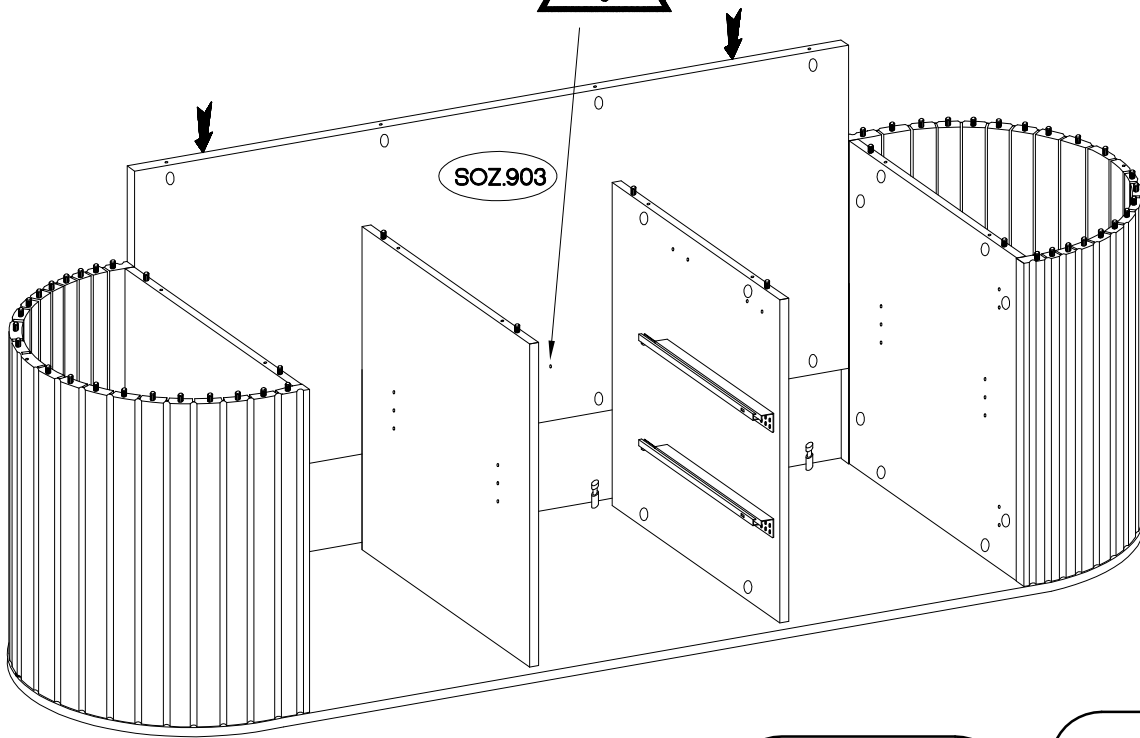
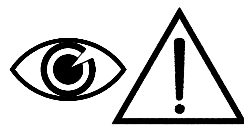
10



11

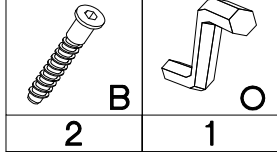


12

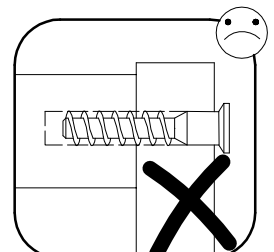
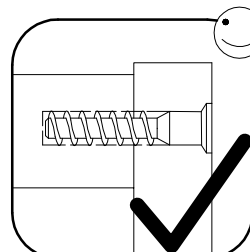
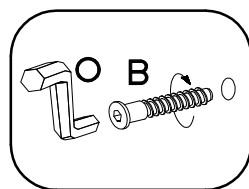
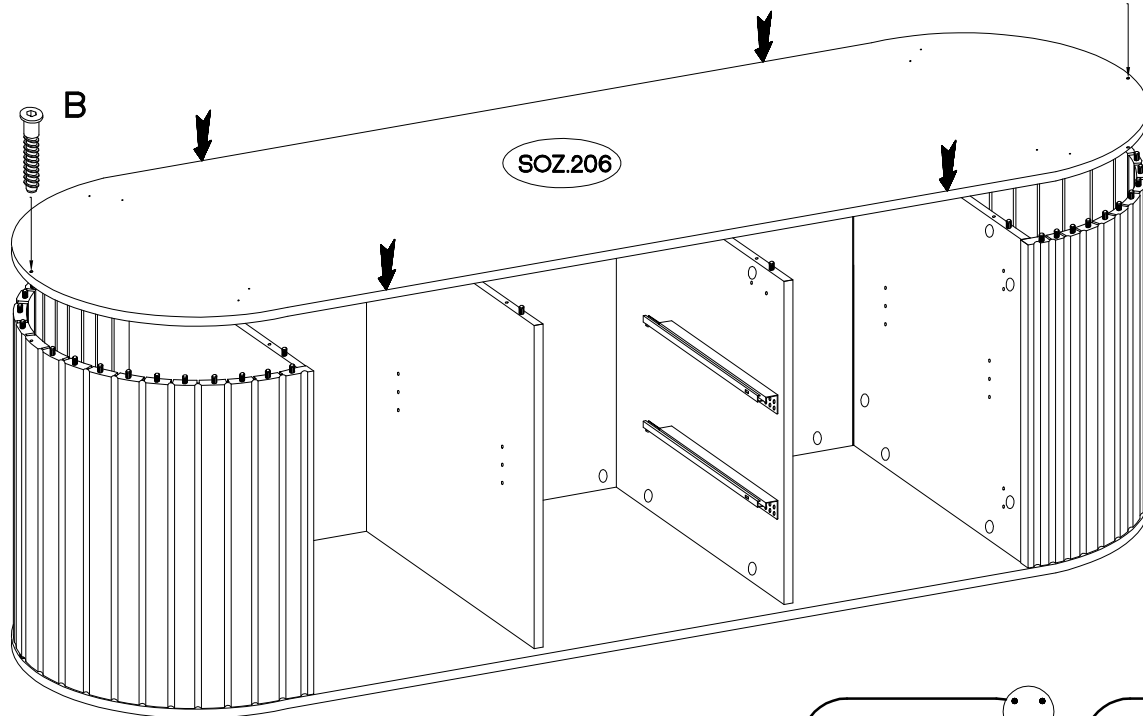


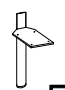


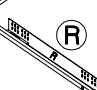

13

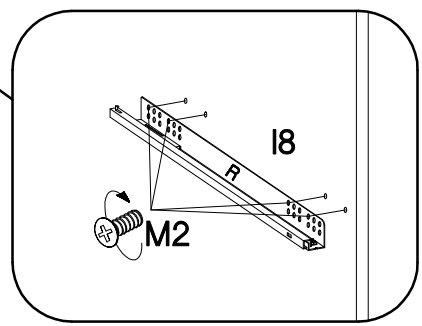
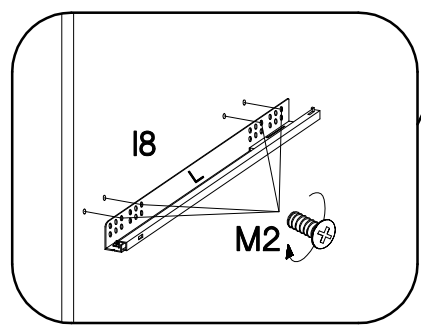
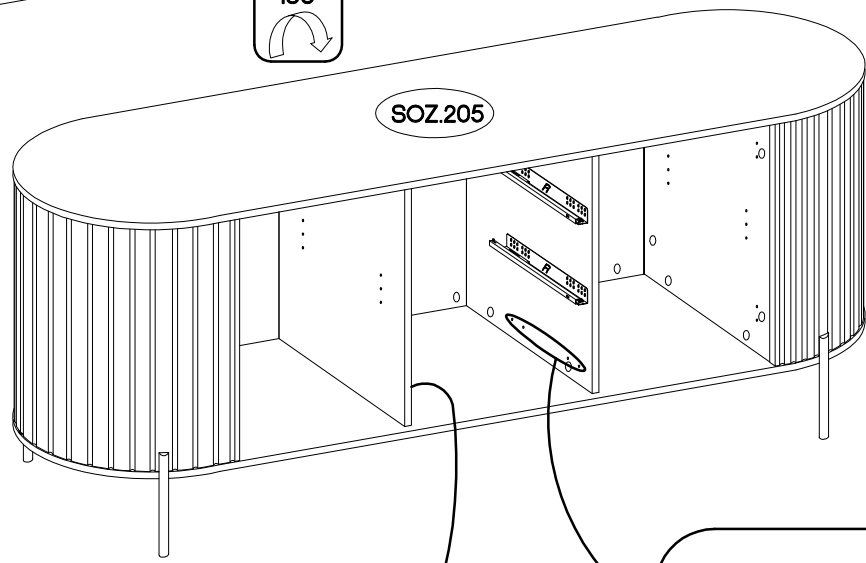
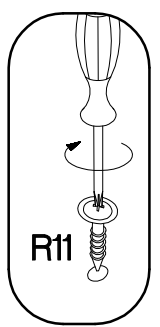
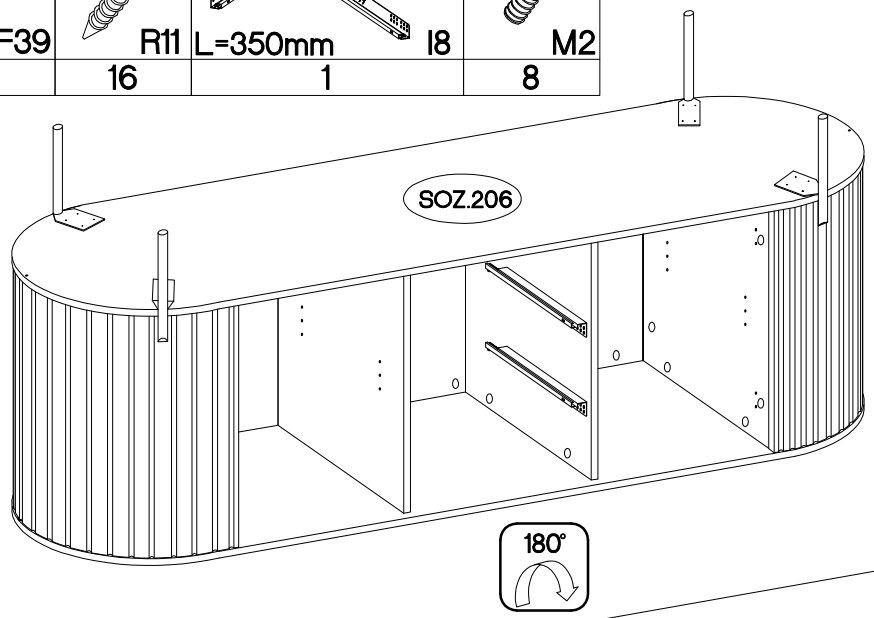
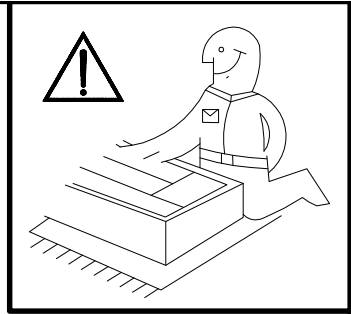
6,4 x 50mm





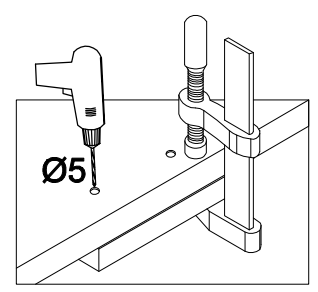
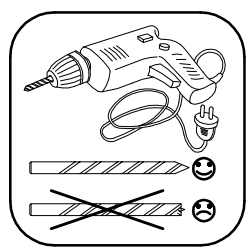
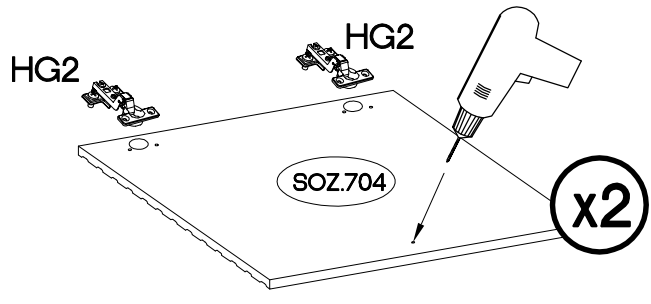
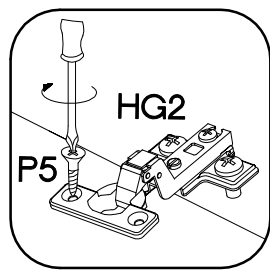
B



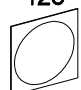


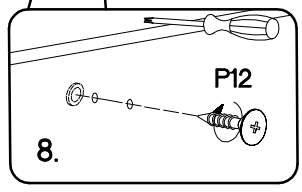
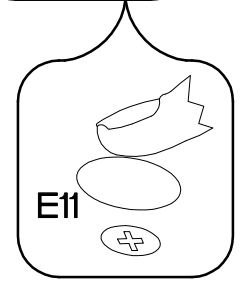
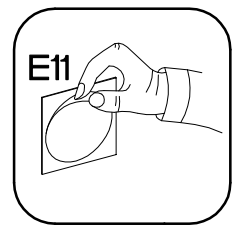
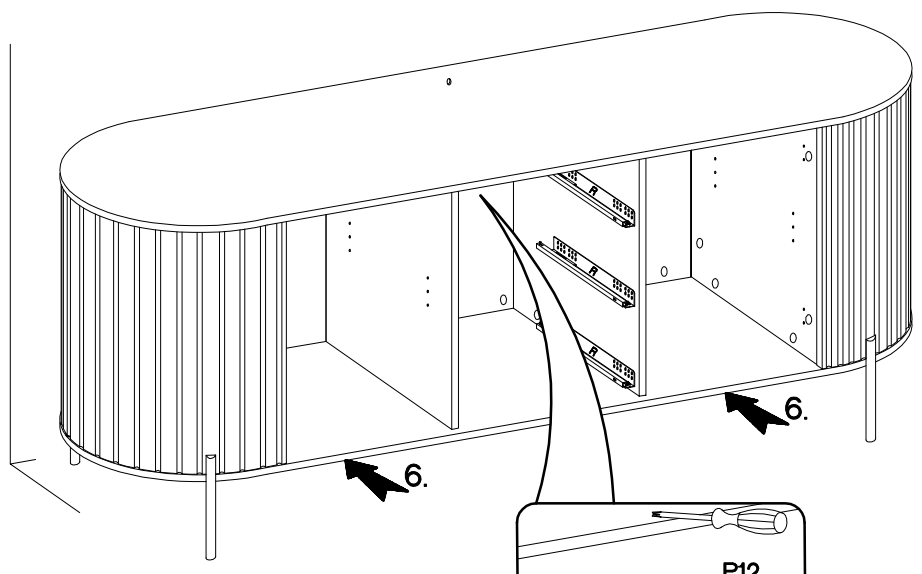
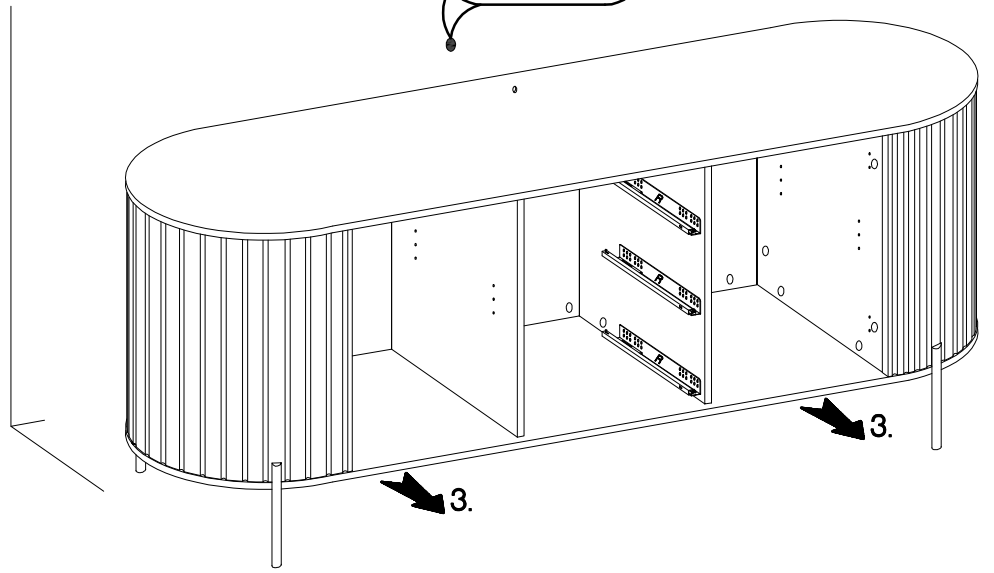
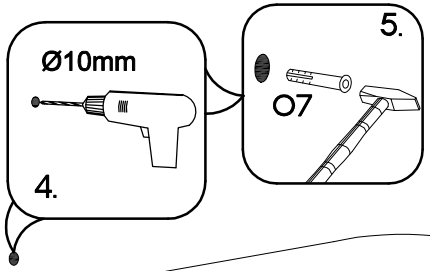
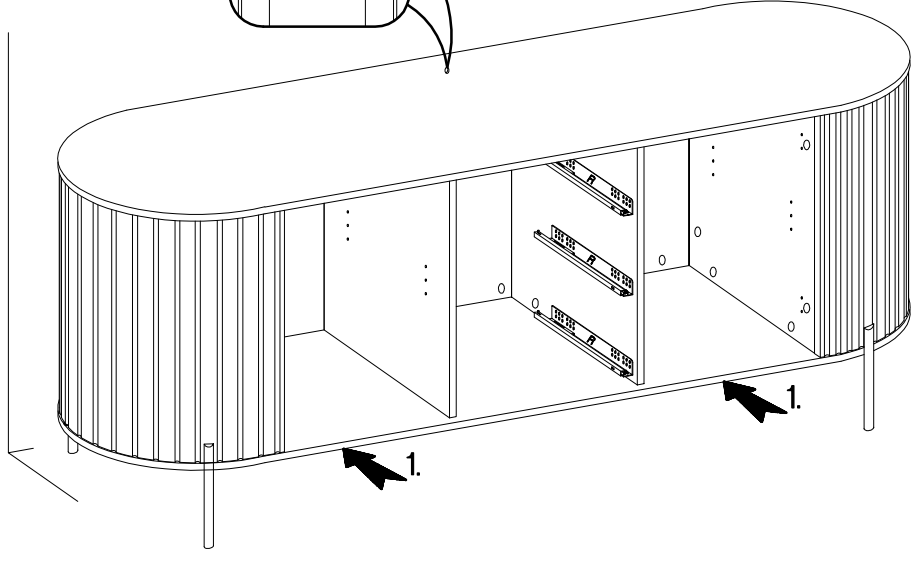
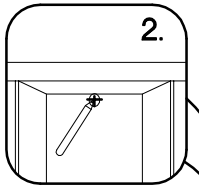
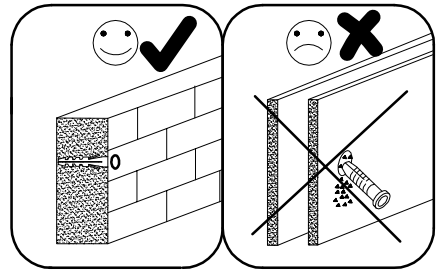
L=185mm  <b>F39</b> 4	+4.0x16mm  <b>R11</b> 16	 <b>L</b> L=350mm 1	[CD] +6.3x13mm  <b>R</b> <b>I8</b> 1	 <b>M2</b> 8
--	---	---	---	--



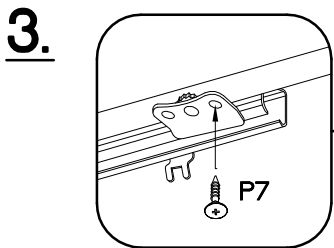
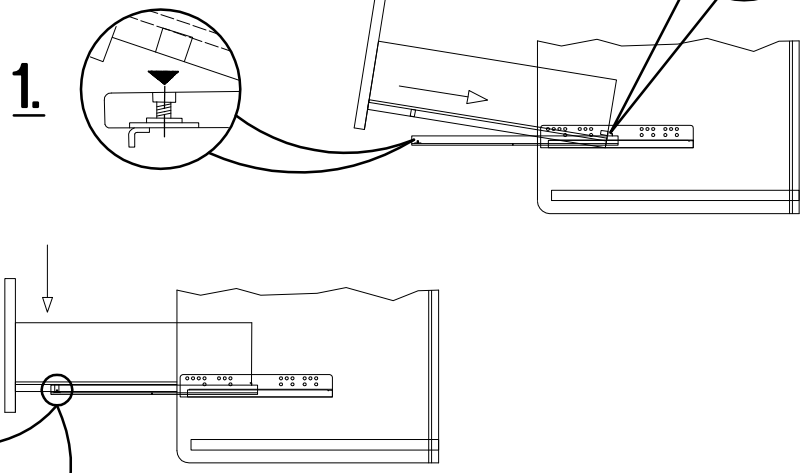
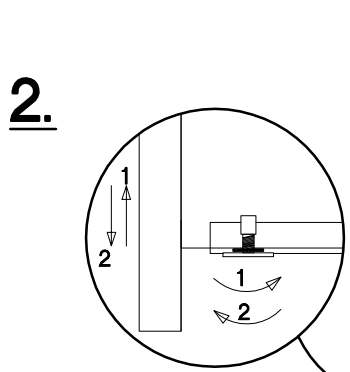
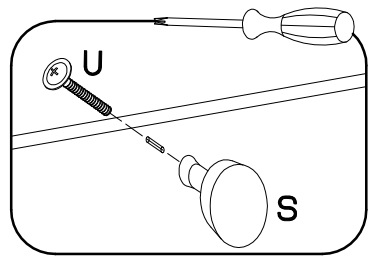
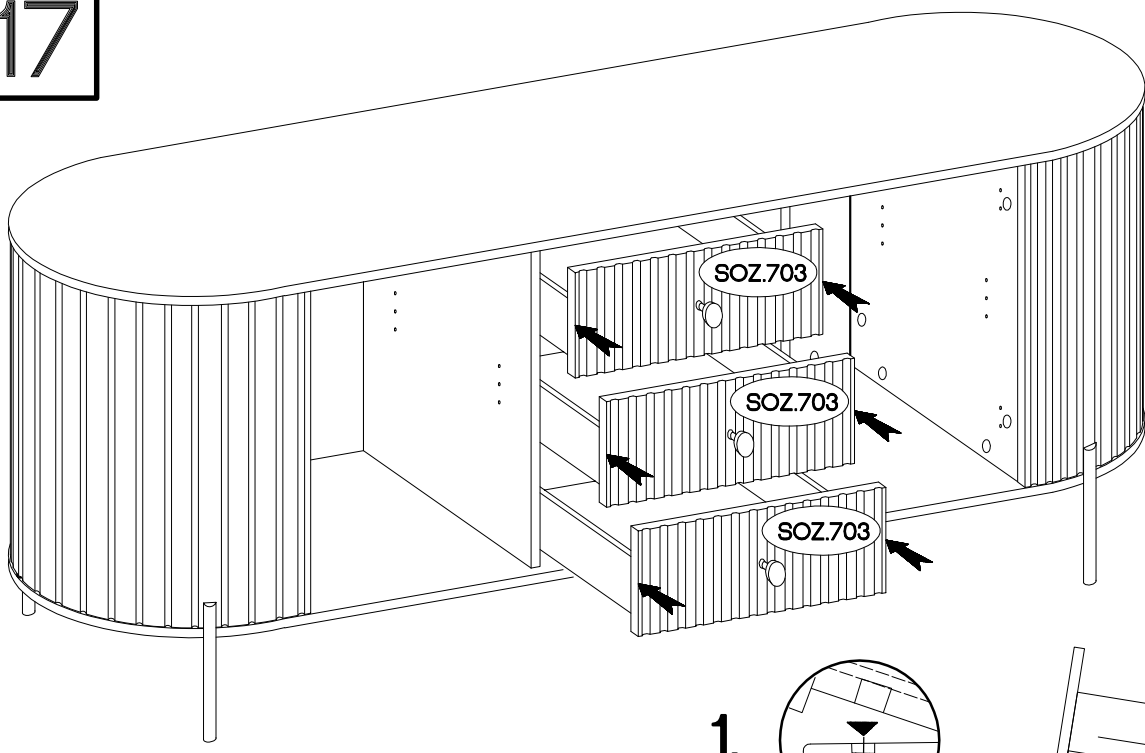
+35/16mm  [CD] <b>HG2</b> 4	+3.5x13mm  <b>P5</b> 8
---	--



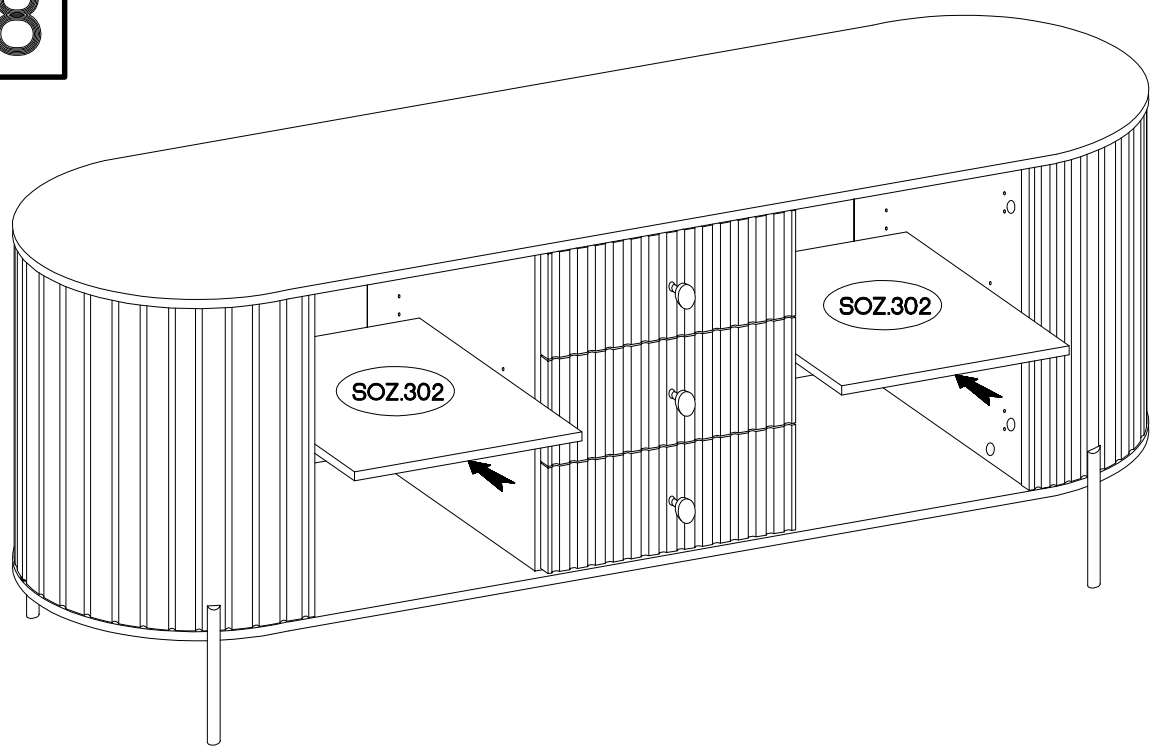
$\pm 10 \times 50 \text{mm}$  O7 1	$\pm 5.0 \times 60 \text{mm}$  P12 1	$\pm 20$  E11 20
---	---	---



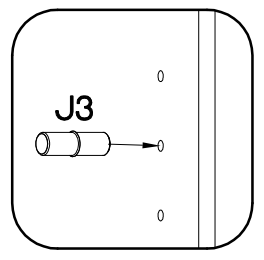
8.





	M4x22mm	±3.0x20mm
S	U	P7
3	3	6



±5/16mm
J3
8



M4x22mm	
 S	 U
2	2

