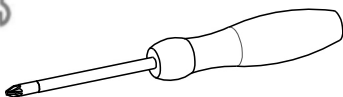
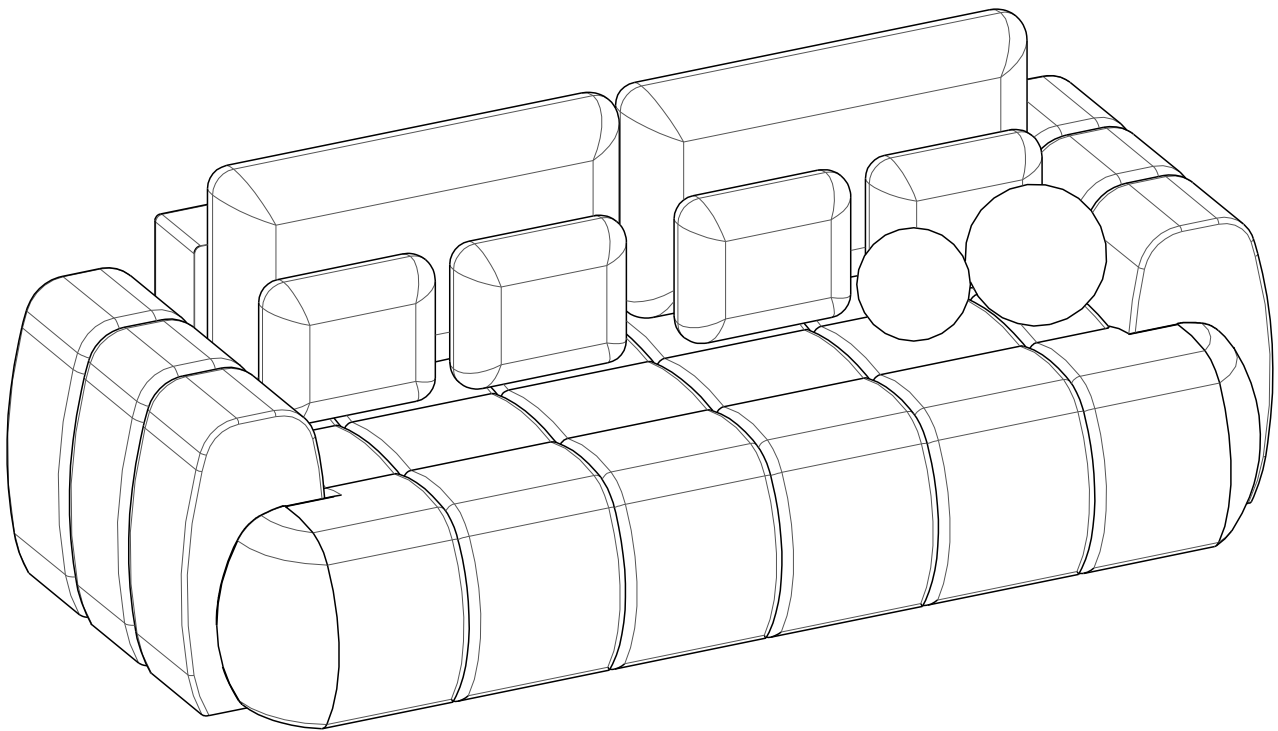
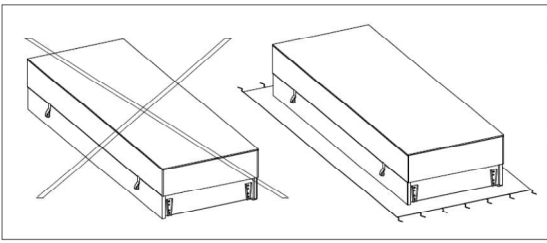


# CONELY

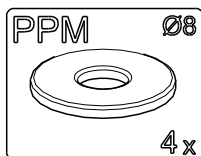
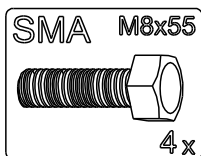
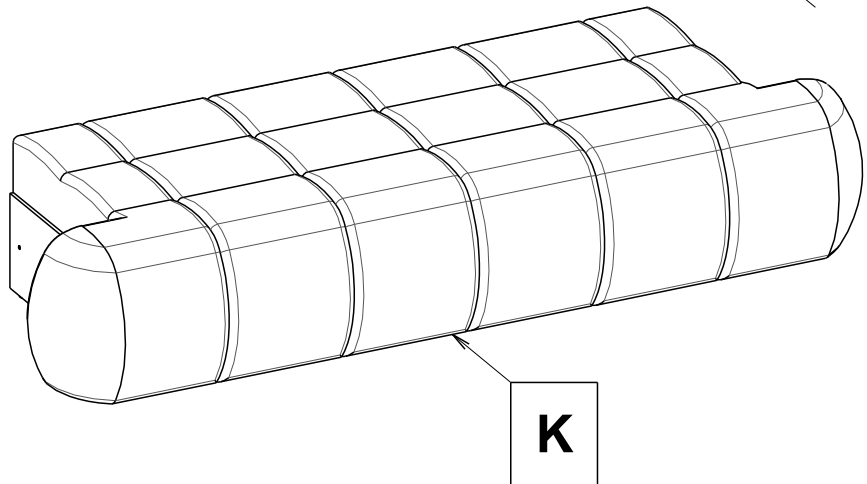
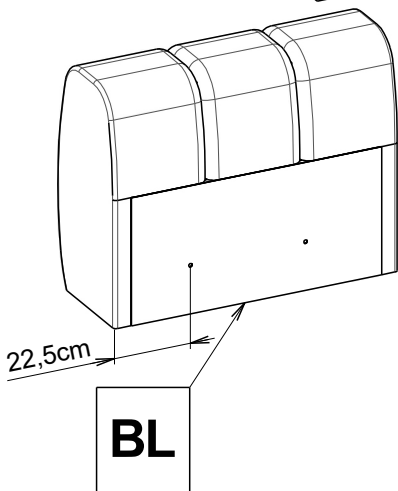
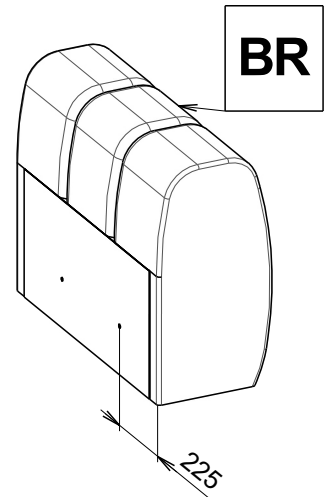
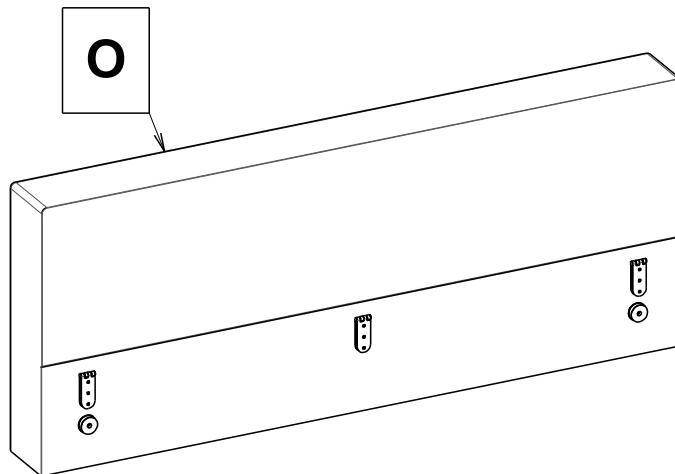
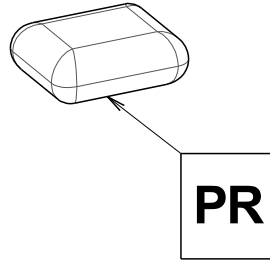
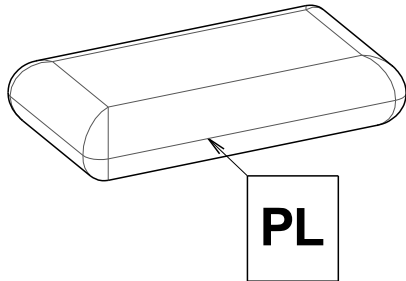


45min

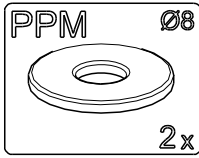
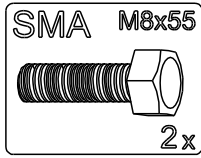
1/6



<b>O</b>	<b>1x</b>
<b>K</b>	<b>1x</b>
<b>BR</b>	<b>1x</b>
<b>BL</b>	<b>1x</b>
<b>PL</b>	<b>2x</b>
<b>PR</b>	<b>4x</b>



1

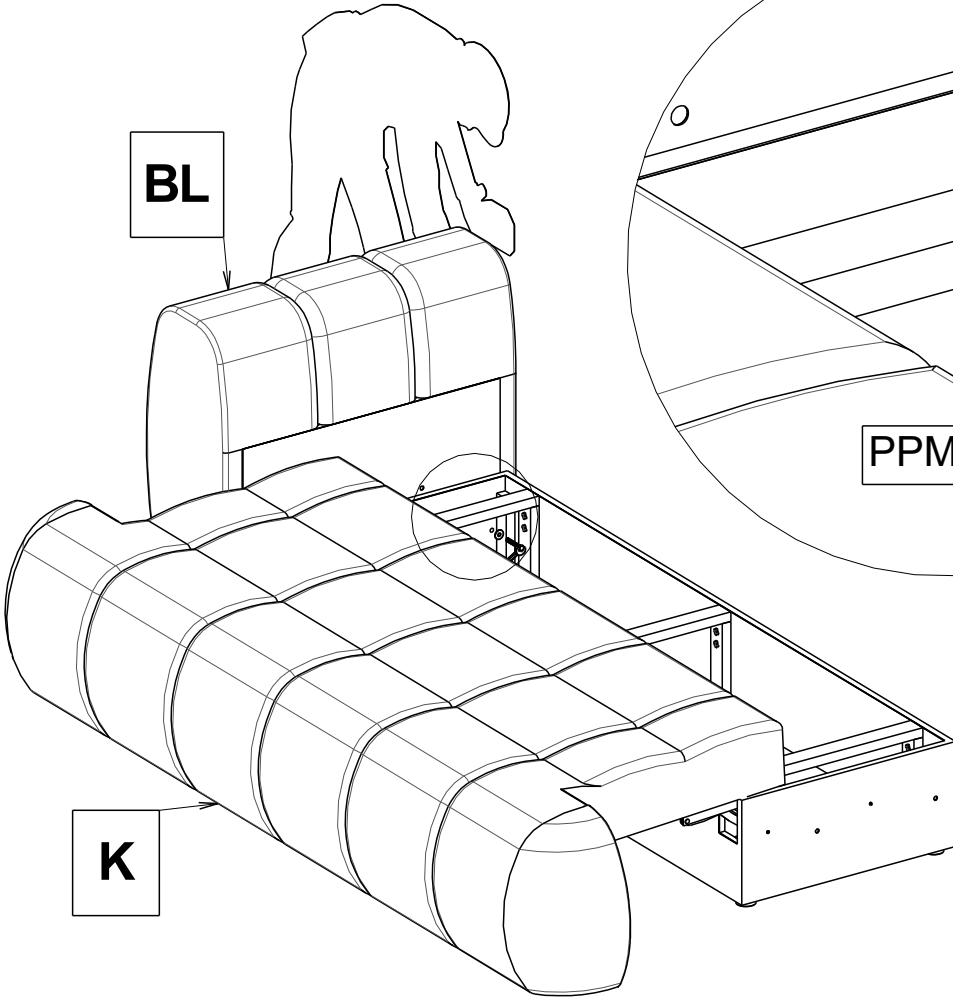


13"



2x

BL

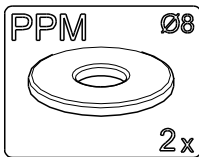
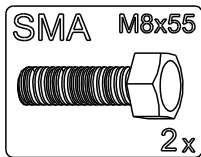


PPM

SMA

K

2

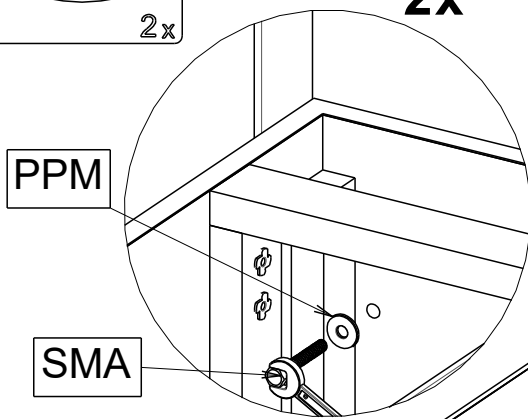


13"



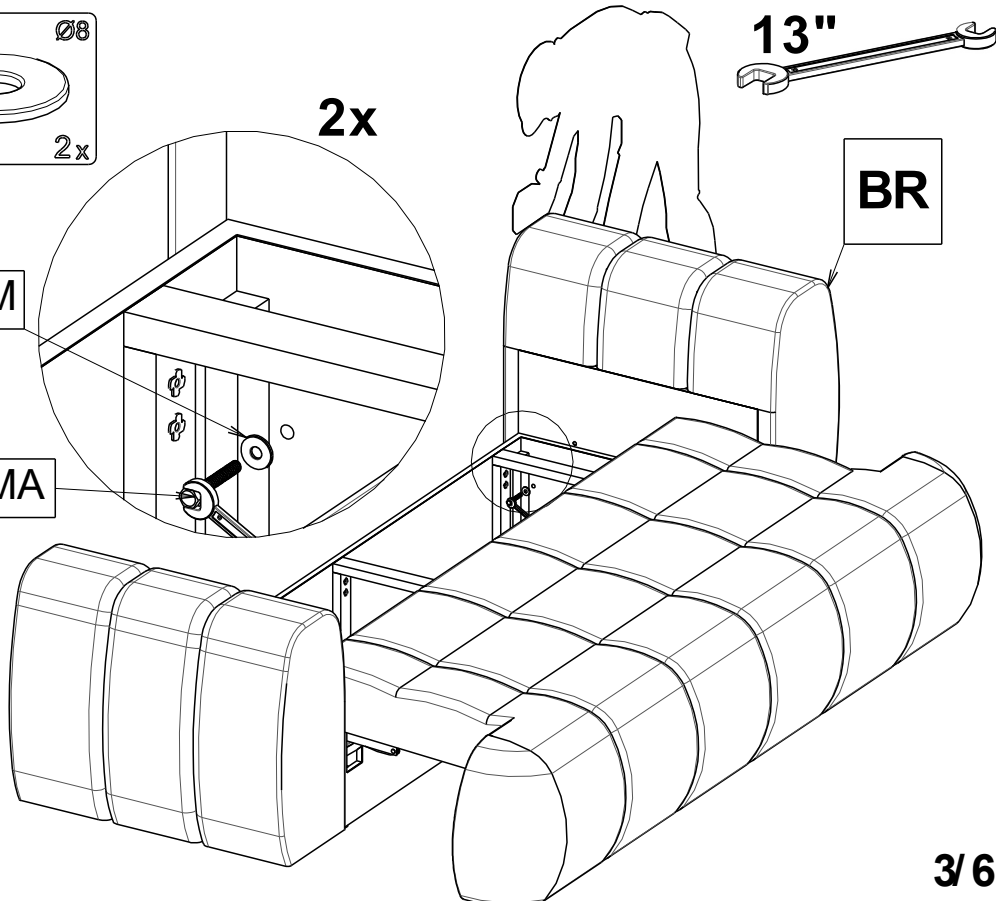
2x

BR

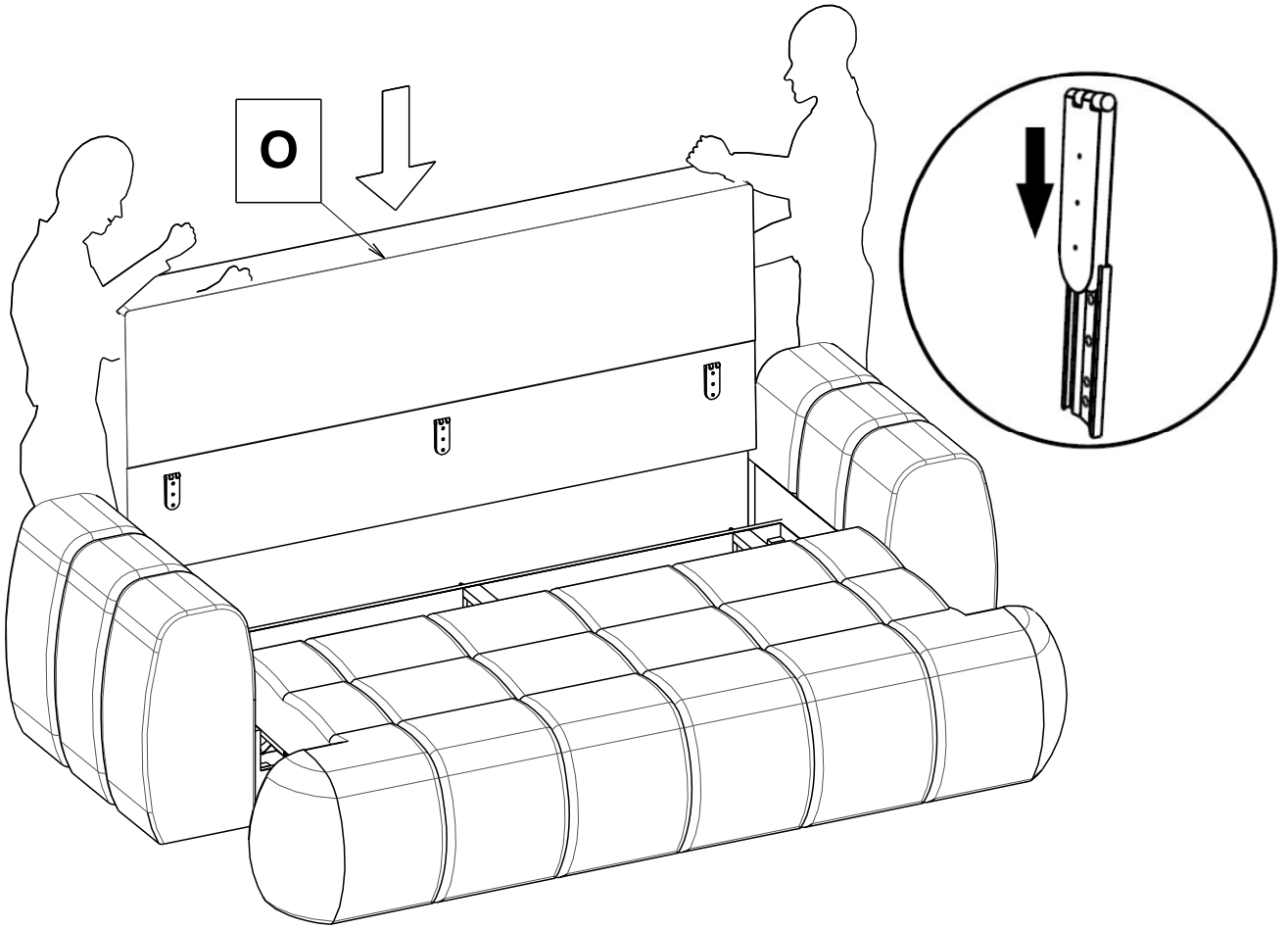


PPM

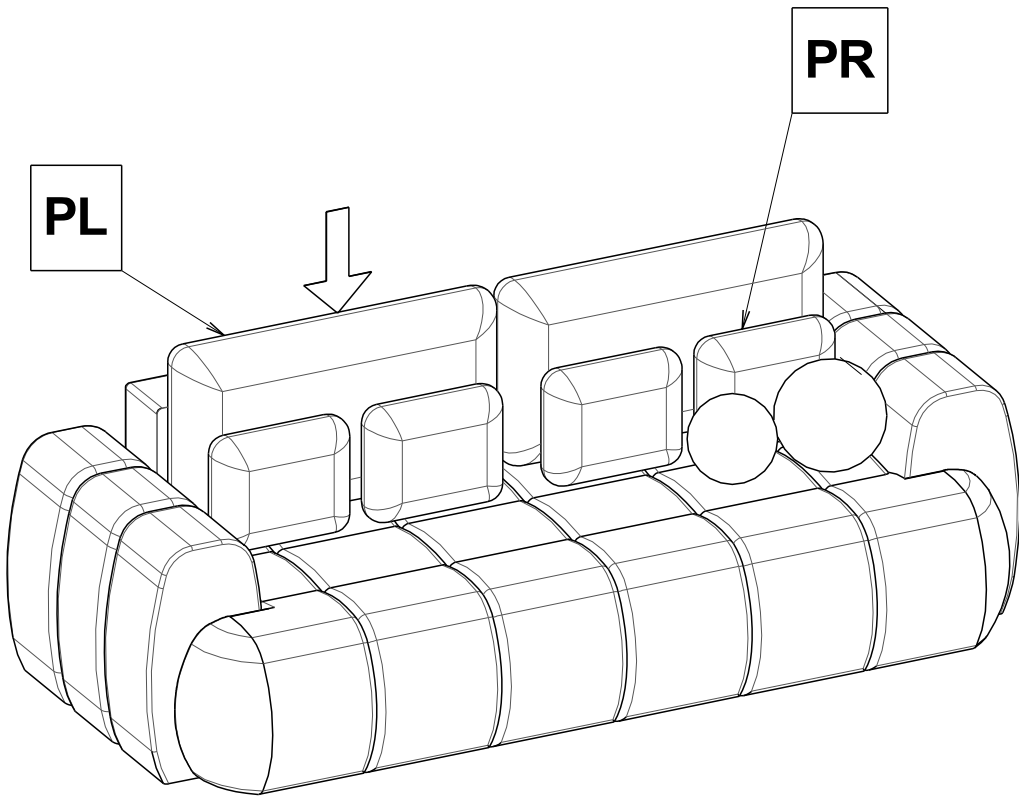
SMA



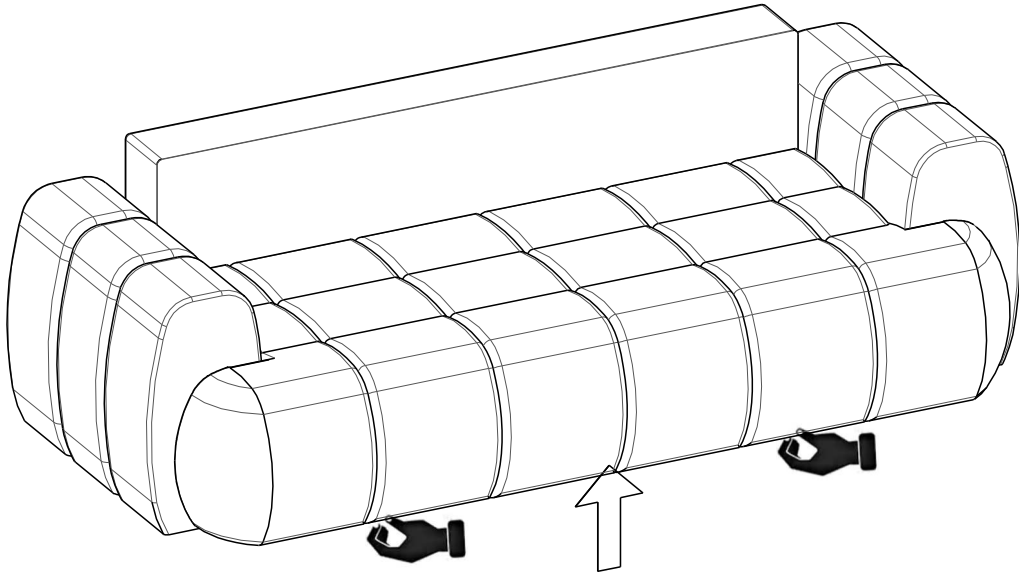
3



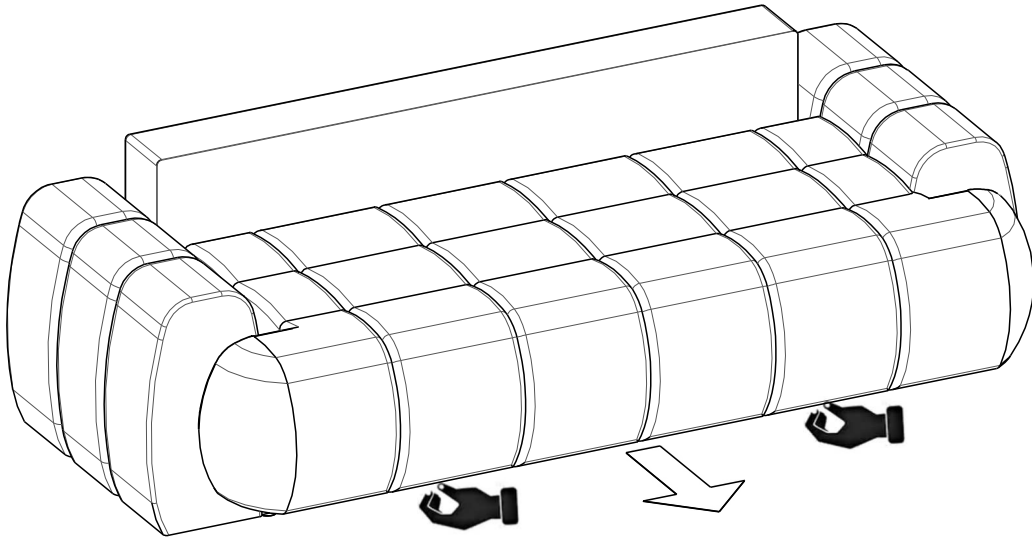
4



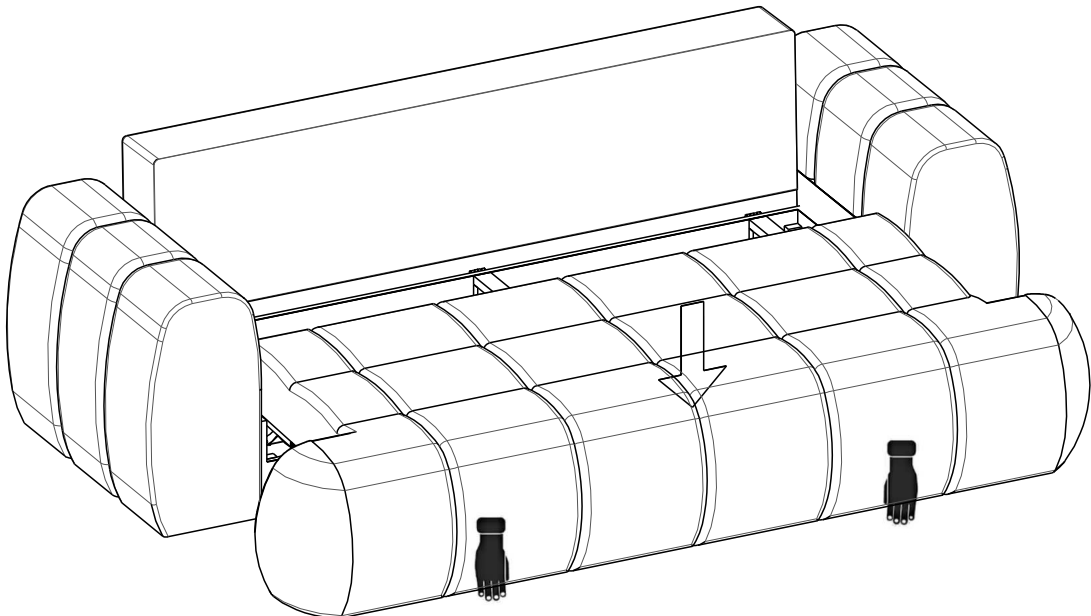
**A**



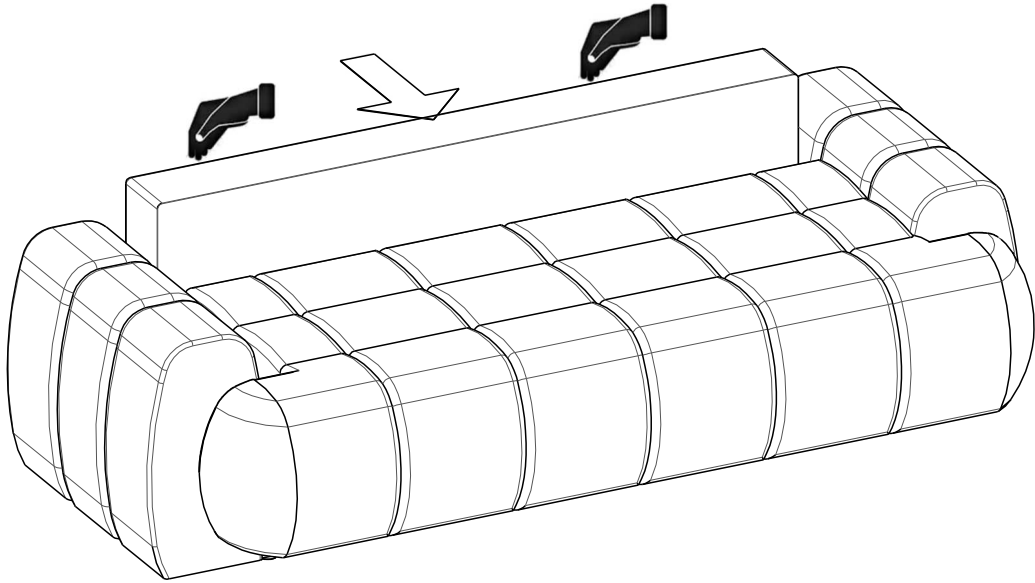
**B**



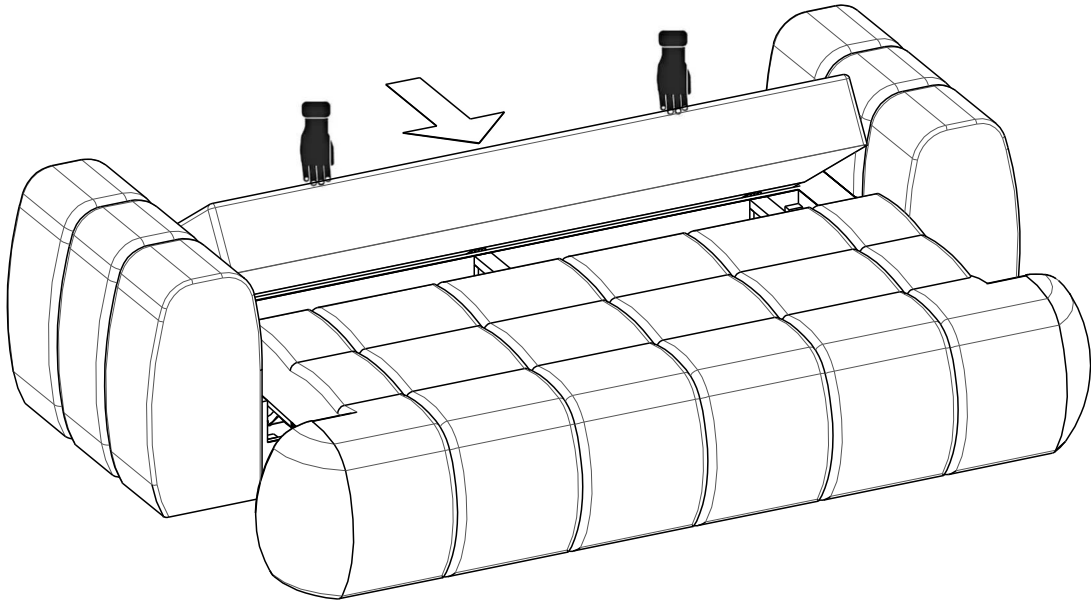
**C**



D



E



F

